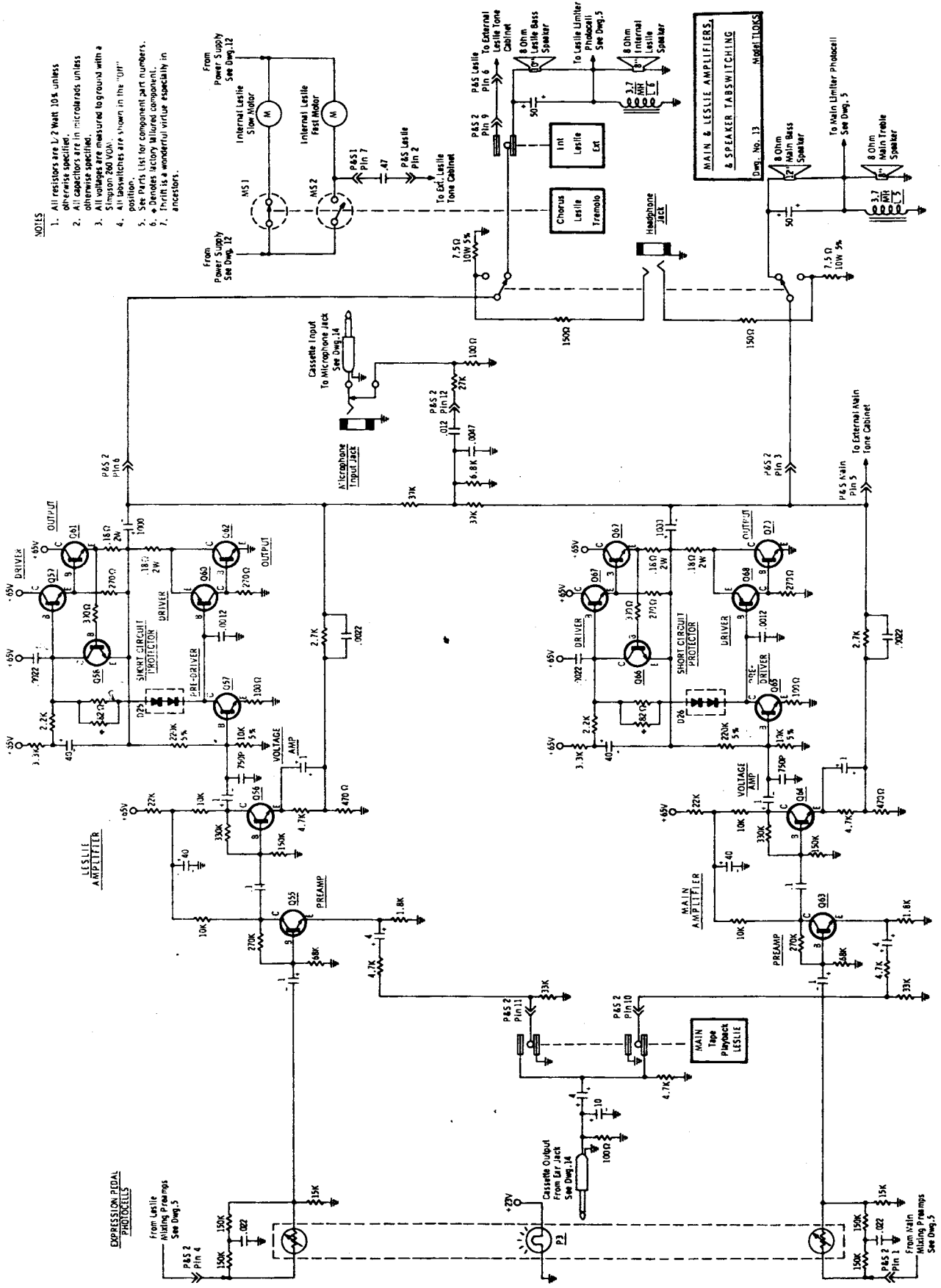


# SCHEMATIC 13

**NOTES**

1. All resistors are 1/2 Watt 10% unless otherwise specified.
2. All capacitors are in microfarads unless otherwise specified.
3. All voltages are measured to ground with a Simpson 260 VOM.
4. All switches are shown in the "off" position.
5. See parts list for component part numbers.
6. Denotes factory ballasted component.
7. Thrift is a wonderful virtue especially in ancients.



LESLIE