

REVISIONS			
REV.	DESCRIPTION	DATE	APPROVED
1.	DWG. TITLE WAS "OUTPUT FILTERS" NAME "SCHEMATIC, OUTPUT BD." (REV. 2-4, SEE SHEET 1)	5-31-79	JMG
5.	ADD NULL FREQ. FOR 224-X	1/13/82	JMG/lan

- NOTES
1. ALL RESISTORS ARE 5%, 1/4W UNLESS OTHERWISE INDICATED.
 2. ALL 1% RESISTORS ARE 1/8 W, METAL FILM.
 3. ALL 1000 pf CAPACITORS ARE POLYPROPYLENE.
 4. ALL DIODES ARE IN4148.
 5. ADJUST R19, R51 FOR A NULL AT 11.815 kHz
 --- R25, R57 --- 10.2398 kHz
 --- R31, R63 --- 19.1204 kHz
 ADJUST R19, R51 FOR A NULL AT 22.153 kHz
 --- R25, R57 --- 19.200 kHz
 --- R31, R63 --- 35.850 kHz

* SHEET 1 IS "C" SIZE

QTY	CODE	PART OR IDENTIFYING NO	NOMENCLATURE OR DESCRIPTION	MATERIAL SPECIFICATION
224			SCHEMATIC, ANALOG OUTPUT BD., 224	

UNLESS OTHERWISE SPECIFIED DIMENSIONS ARE IN INCHES TOLERANCES ARE:		CONTRACT NO.	
FRACTIONS	DECIMALS	ANGLES	
3X	NA		
MATERIAL	NA	APPROVALS	DATE
		<i>JMG</i>	1-23-79
FINISH	NA	CHECKED	
		<i>C.B.</i>	7-26-79
NEXT ASSY	USED ON	ISSUED	
APPLICATION		DO NOT SCALE DRAWING	

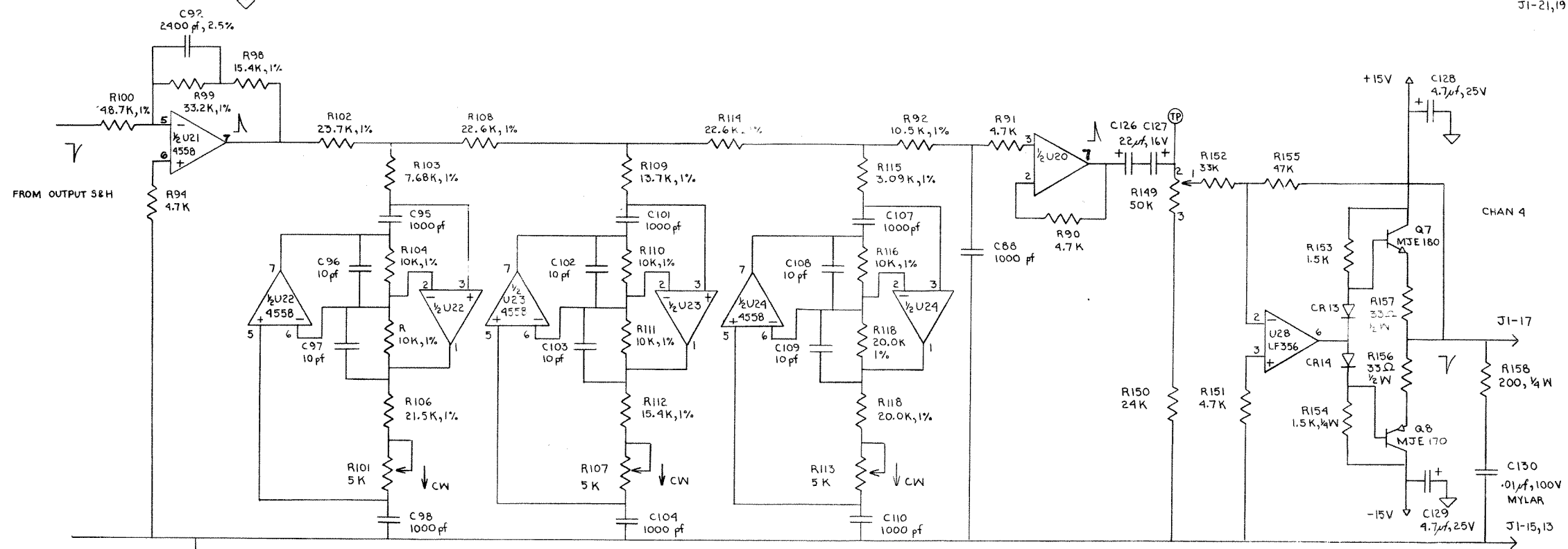
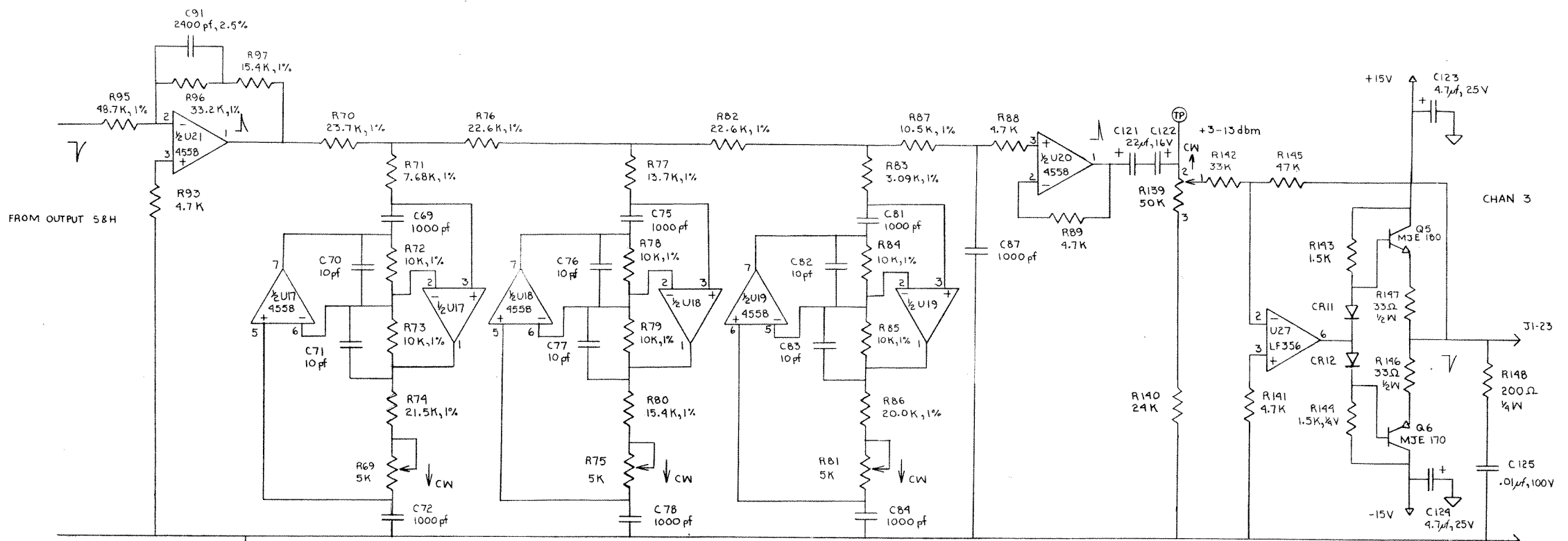
REVISIONS			
REV.	DESCRIPTION	DATE	APPROVED
1	(SEE SHEET 2)		
	REV. 2-4 SEE SHEET 1		
5	ADD NULL FREQ. FOR 224X	1/13/82	AME/MA
6	REDESIGNATE PINS ON U21	5/26/82	AL

D

C

B

A



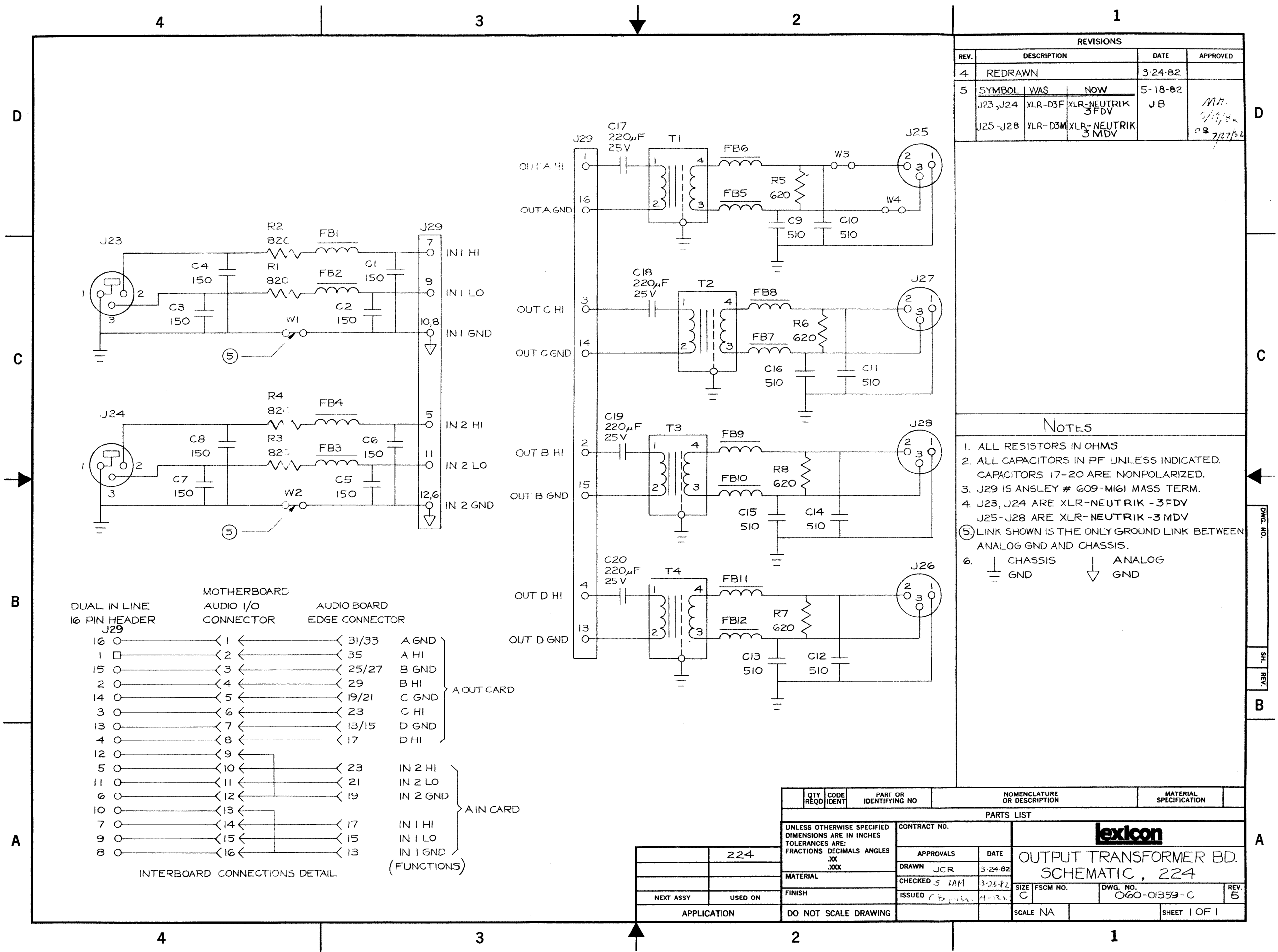
- NOTES
1. ALL RESISTERS ARE 5%, 1/4 W UNLESS OTHERWISE INDICATED.
 2. ALL 1% RESISTERS ARE 1/8 W, METAL FILM.
 3. ALL 1000 pf CAPACITORS ARE POLYPROPYLENE.
 4. ALL DIODES ARE IN4148.
 5. ADJUST R69, R101 FOR A NULL AT 11.815 kHz
 - - - R75, R107 - - - 10.2398 kHz
 - - - R81, R113 - - - 19.1204 kHz
 ADJUST R69, R101 FOR A NULL AT 22.153 kHz
 - - - R75, R107 - - - 19.200 kHz
 - - - R81, R113 - - - 35.850 kHz

* SHEET 1 IS "C" SIZE

CITY CODE	PART OR IDENTIFYING NO	NOMENCLATURE OR DESCRIPTION	MATERIAL SPECIFICATION
224			

PARTS LIST		CONTRACT NO.	
UNLESS OTHERWISE SPECIFIED DIMENSIONS ARE IN INCHES	FRACCTIONS DECIMALS ANGLES	APPROVALS	DATE
XX	NA		1-23-79
MATERIAL	NA	CHECKED	7-26-79
FINISH	NA	ISSUED	
APPLICATION	DO NOT SCALE DRAWING	SCALE	NA

LEXICON	SCHEMATIC, ANALOG	060-01322-D	REV. 6
	OUTPUT 'BD., 224		
	SIZE FSCM NO.	DWG. NO.	SHEET 3 OF 3



REVISIONS				
REV.	DESCRIPTION	DATE	APPROVED	
4	REDRAWN	3-24-82		
5	SYMBOL WAS	NOW	5-18-82	
	J23, J24	XLR-D3F	XLR-NEUTRIK 3FDV	JB
	J25-J28	XLR-D3M	XLR-NEUTRIK 3MDV	7/27/82

- NOTES
1. ALL RESISTORS IN OHMS
 2. ALL CAPACITORS IN PF UNLESS INDICATED. CAPACITORS 17-20 ARE NONPOLARIZED.
 3. J29 IS ANSLEY # 609-MIG1 MASS TERM.
 4. J23, J24 ARE XLR-NEUTRIK -3FDV
J25-J28 ARE XLR-NEUTRIK -3MDV
 5. LINK SHOWN IS THE ONLY GROUND LINK BETWEEN ANALOG GND AND CHASSIS.
 6. \perp CHASSIS GND ∇ ANALOG GND

DUAL IN LINE 16 PIN HEADER J29	MOTHERBOARD AUDIO I/O CONNECTOR	AUDIO BOARD EDGE CONNECTOR	(FUNCTIONS)
16 ○	1	31/33	A GND
1 ○	2	35	A HI
15 ○	3	25/27	B GND
2 ○	4	29	B HI
14 ○	5	19/21	C GND
3 ○	6	23	C HI
13 ○	7	13/15	D GND
4 ○	8	17	D HI
12 ○	9		
5 ○	10	23	IN 2 HI
11 ○	11	21	IN 2 LO
6 ○	12	19	IN 2 GND
10 ○	13		
7 ○	14	17	IN 1 HI
9 ○	15	15	IN 1 LO
8 ○	16	13	IN 1 GND

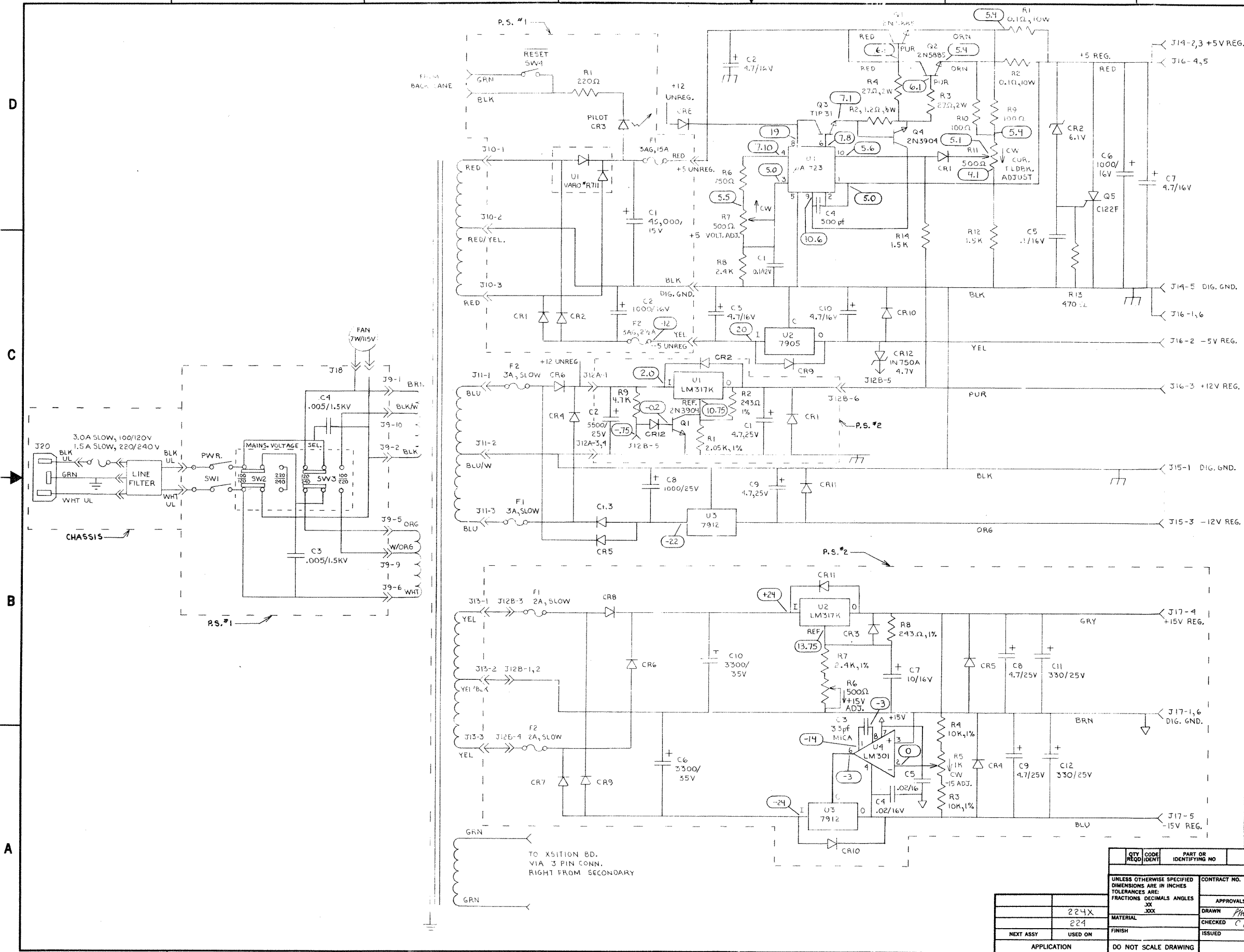
INTERBOARD CONNECTIONS DETAIL

QTY REQD	CODE IDENT	PART OR IDENTIFYING NO	NOMENCLATURE OR DESCRIPTION	MATERIAL SPECIFICATION
PARTS LIST				
UNLESS OTHERWISE SPECIFIED DIMENSIONS ARE IN INCHES TOLERANCES ARE: FRACTIONS DECIMALS ANGLES .XX .XXX .XXX		CONTRACT NO.		
224		APPROVALS DATE		
MATERIAL		DRAWN JCR 3-24-82		
FINISH		CHECKED S IAM 3-25-82		
NEXT ASSY USED ON		ISSUED C. J. 4-13-82		
APPLICATION		DO NOT SCALE DRAWING		
		SCALE NA		
		SHEET 1 OF 1		

DWG. NO. 060-01359-C
 SH. REV. 5

8 7 6 5 4 3 2 1

D
C
B
A



REVISIONS			
REV.	DESCRIPTION	DATE	APPROVED
1	WAS J15-2, NOW J15-1; WAS J15-1, NOW J15-3; +15V WIRE WAS BLU, NOW GRN; -15V WIRE WAS GRN, NOW BLU	7-18-79	
2	CORRECT POLARITY ON CR3	8-5-79	
3	CORRECT FAN PLUG CONN.	8-10-79	
4	OMIT CR7; CR10, NOW CR2; CR10, NOW CR12	2-25-82	
5	ADD VOLTAGE NOTATIONS; 5-20-82 J6 5500/25 CAP WAS C8, NOW C2		

- NOTES
1. RESISTORS 5%, 1/4W UNLESS OTHERWISE IND.
 2. CAPACITORS IN μ F UNLESS OTHERWISE IND.
 3. DIODES ARE IN 5404 UNLESS OTHERWISE IND.
 4. ∇ ANALOG GND. \square CHASSIS GND. |||| DIGITAL GND.
 5. AC WIRING & POWER SUPPLY #1 & #2 ARE ENCLOSED BY DOTTED BOXES; ALL ELSE LIES ON P.S.#3.
 6. SEE LEXICON DWG. #080-01611, ASSEMBLY, POWER SUPPLY FOR SEMICONDUCTOR LOCATIONS AND CONN. IDENTIFICATION.
 7. ALL VOLTAGES TAKEN WITH INPUT VOLTAGE AT 115V/60HZ AND STD 224 WITH NVS OPTION AS LOAD.

QTY	CODE	PART OR IDENTIFYING NO	NOMENCLATURE OR DESCRIPTION	MATERIAL SPECIFICATION
PARTS LIST				
UNLESS OTHERWISE SPECIFIED DIMENSIONS ARE IN INCHES TOLERANCES ARE: FRACTIONS DECIMALS ANGLES				
224X		APPROVALS		DATE
224		DRAWN <i>PHB</i>		6-18-79
NEXT ASSY USED ON		CHECKED <i>CB</i>		6-20-79
APPLICATION		ISSUED		
DO NOT SCALE DRAWING			SCALE NA	SHEET 1 OF 1

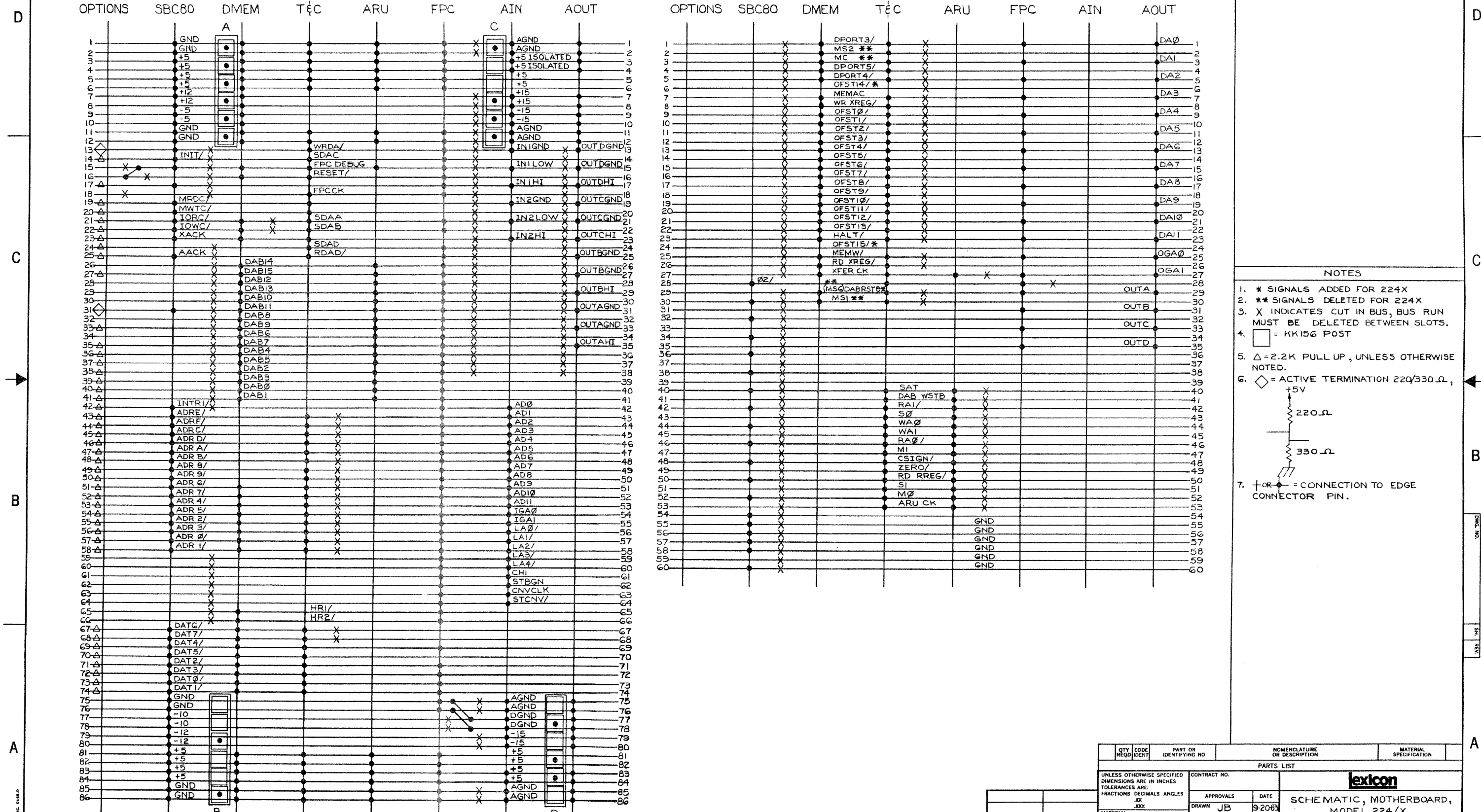
CONTRACT NO.		APPROVALS		DATE
LEXICON		<i>PHB</i>		6-18-79
SCHEMATIC, POWER SUPPLY		CHECKED <i>CB</i>		6-20-79
SIZE	FSCM NO.	DWG. NO.	REV.	
D		060-01524-D	5	

8 7 6 5 4 3 2 1

CONNECTOR P1

CONNECTOR P2

REVISIONS			
REV.	DESCRIPTION	DATE	APPROVED
2	REDRAWN AND CHANGED AS PER ECO #830909-00	9-20-83	JB



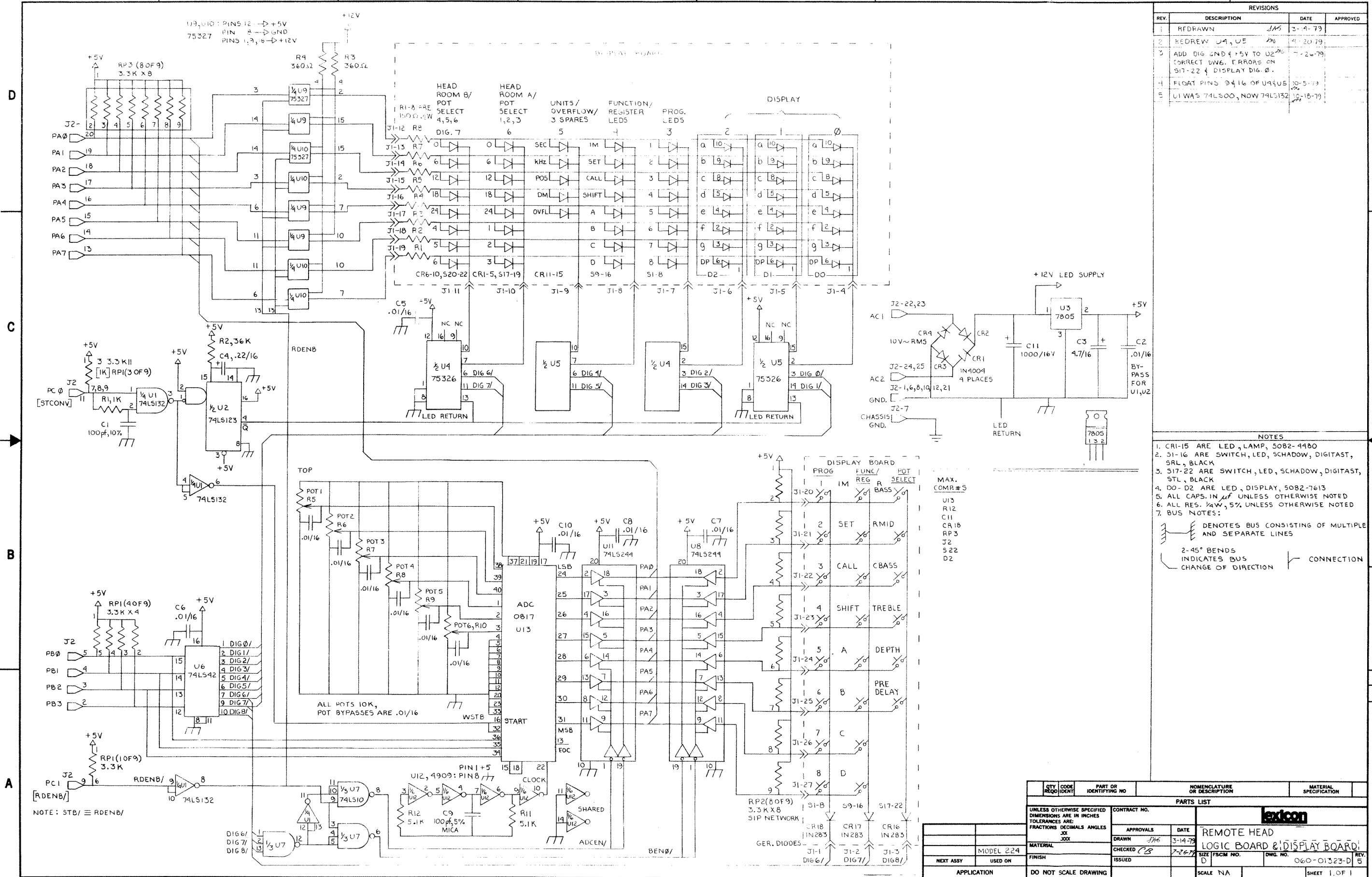
NOTES

- * SIGNALS ADDED FOR 224X
- ** SIGNALS DELETED FOR 224X
- X INDICATES CUT IN BUS, BUS RUN MUST BE DELETED BETWEEN SLOTS.
- = KK156 POST
- Δ = 2.2K PULL UP, UNLESS OTHERWISE NOTED.
- ◇ = ACTIVE TERMINATION 220/330 Ω,
 - +5V
 - 220 Ω
 - 330 Ω
- + OR • = CONNECTION TO EDGE CONNECTOR PIN.

QTY REQD	CODE IDENT	PART OR IDENTIFYING NO	NOMENCLATURE OR DESCRIPTION	MATERIAL SPECIFICATION
PARTS LIST				
UNLESS OTHERWISE SPECIFIED DIMENSIONS ARE IN INCHES TOLERANCES ARE: FRACTIONS DECIMALS ANGLES .XX .XXX .XXX		CONTRACT NO.		APPROVALS
MATERIAL		DATE		DATE
NEXT ASSY		DRAWN		DATE
USED ON		CHECKED		DATE
APPLICATION		ISSUED		DATE
DO NOT SCALE DRAWING			SCALE	NA
SCHEMATIC, MOTHERBOARD, MODEL 224/X			DWG. NO.	060-01360
REV. 2			SHEET	1 OF 1

FOTERAM, INC. 01840

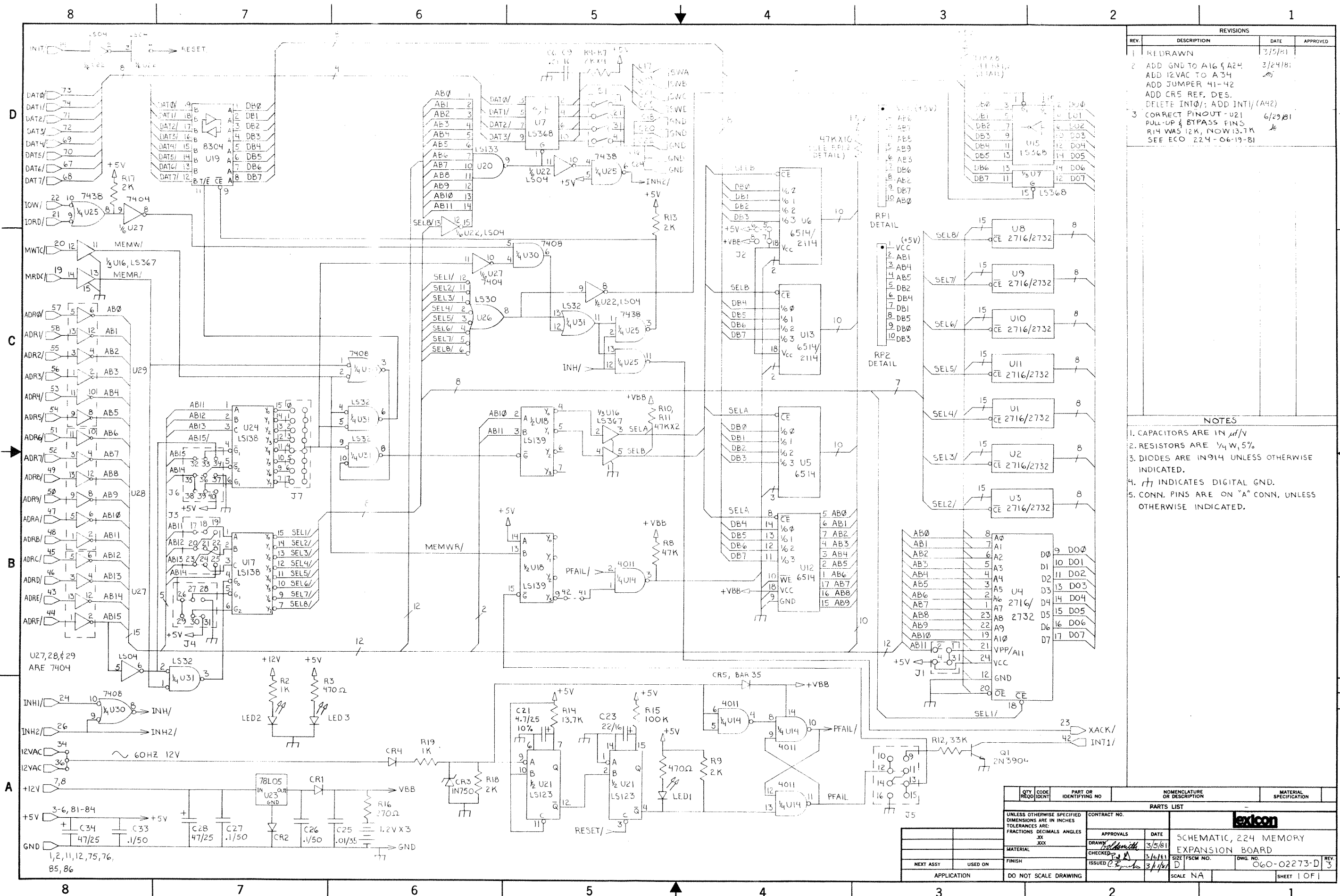
REVISIONS			
REV.	DESCRIPTION	DATE	APPROVED
1	REDRAWN	JAS 3-4-79	
2	REDREW U4, U5	JAS 4-20-79	
3	ADD DIG GND & +5V TO U2 ²⁰ CORRECT DWG. ERRORS ON S17-22 & DISPLAY DIG. 0.	7-24-79	
4	FLOAT PINS 0 & 16 OF U4, U5	10-5-79	
5	U1 WAS 74LS00, NOW 74LS132	10-18-79	



- NOTES
1. CR1-15 ARE LED, LAMP, 5082-4980
 2. S1-16 ARE SWITCH, LED, SCHADOW, DIGITAST, 5RL, BLACK
 3. S17-22 ARE SWITCH, LED, SCHADOW, DIGITAST, STL, BLACK
 4. DO-D2 ARE LED, DISPLAY, 5082-7613
 5. ALL CAPS. IN μ F UNLESS OTHERWISE NOTED
 6. ALL RES. $\frac{1}{4}$ W, 5% UNLESS OTHERWISE NOTED
 7. BUS NOTES:
 [Symbol] DENOTES BUS CONSISTING OF MULTIPLE AND SEPARATE LINES
 [Symbol] 2-45° BENDS INDICATES BUS CHANGE OF DIRECTION
 [Symbol] CONNECTION

QTY	CODE	PART OR IDENTIFYING NO	NOMENCLATURE OR DESCRIPTION	MATERIAL SPECIFICATION
PARTS LIST				
UNLESS OTHERWISE SPECIFIED DIMENSIONS ARE IN INCHES TOLERANCES ARE: FRACTIONS DECIMALS ANGLES .XX .XXX .XXX				
CONTRACT NO.		APPROVALS		
DATE		DATE		
DRAWN		DATE		
CHECKED		DATE		
ISSUED		DATE		
MATERIAL				
FINISH				
NEXT ASSY USED ON				
APPLICATION				
DO NOT SCALE DRAWING				

REVISIONS		DATE		APPROVED	
1		3-4-79			
2		4-20-79			
3		7-24-79			
4		10-5-79			
5		10-18-79			



REVISIONS			
REV.	DESCRIPTION	DATE	APPROVED
1	REDRAWN	3/5/81	
2	ADD GND TO A16 & A24 ADD 12VAC TO A34 ADD JUMPER 41-42 ADD CR5 REF. DES. DELETE INT0/; ADD INT1/ (A42)	3/24/81	
3	CORRECT PINOUT - U21 PULL-UP & BYPASS PINS R14 WAS 12K, NOW 13.7K SEE ECO 224-06-19-81	6/29/81	

- NOTES
- CAPACITORS ARE IN $\mu\text{F/V}$
 - RESISTORS ARE $\frac{1}{4}W, 5\%$
 - DIODES ARE IN 914 UNLESS OTHERWISE INDICATED.
 - GND INDICATES DIGITAL GND.
 - CONN. PINS ARE ON "A" CONN. UNLESS OTHERWISE INDICATED.

QTY	CODE	PART OR IDENTIFYING NO	NOMENCLATURE OR DESCRIPTION	MATERIAL SPECIFICATION
PARTS LIST				
UNLESS OTHERWISE SPECIFIED DIMENSIONS ARE IN INCHES TOLERANCES ARE: FRACTIONS DECIMALS ANGLES				
APPROVALS		DATE		
DRAWN: <i>[Signature]</i>		3/5/81		
CHECKED: <i>[Signature]</i>		3/16/81		
ISSUED: <i>[Signature]</i>		3/1/81		
MATERIAL		CONTRACT NO.		
NEXT ASSY		USED ON		
FINISH		APPLICATION		
DO NOT SCALE DRAWING		SCALE NA		
SHEET 1 OF 1		REV. 3		

lexicon
 SCHEMATIC, 224 MEMORY EXPANSION BOARD
 DWG. NO. 060-02273-D
 SIZE FSCM NO. D