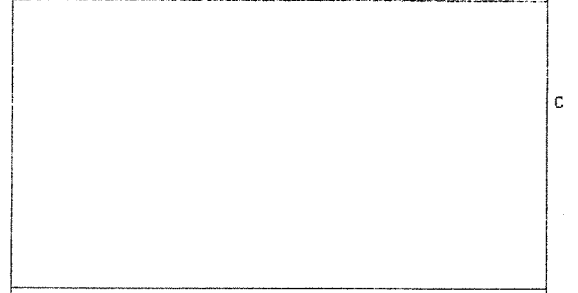


REVISIONS			
REV	DESCRIPTION	DRAWN/CHECKER/DATE	AUTHORIZED/DATE
3	REDRAWN FOR PRODUCTION RELEASE OF REV 3 PCB	PF 5/1/87 PF 5/11/87	JZ 5/11/87 PF 5/11/87
4	REVISED PER ECO 870615-00; ADDED NOTE 7.	PF 8/3/87 PF 8/5/87	JZ 8/5/87 PF 8/5/87
5	PER ECO 870908-00, ADDED R65 & UPDATED DOCUMENT CONTROL BLOCK	JV 9/28/87 PF 10/13/87	JZ 10/21/87 PF 10/21/87
6	REVISED PER ECO # 900411-01 AND ECO # 900625-01	RW 5/11/90 JW 6/4/90	RW 6/4/90 JW 6/4/90
7	CHANGE PER ECO #900411-01-B UPDATED DOC CONTROL BLOCK	RW 8/31/90 JRW 9/4/90	RWH 9/4/90 CB 9/4/90
8	REVISED DOC CTL BLOCK, AND CHANGED U25 FROM 74HCT32 TO 74AC32 PER ECO 911015-00.	<i>Handwritten initials</i> 3/25/92	<i>Handwritten initials</i> 3/25/92
9	CHANGED R21 PER ECO #920521-00	JV 6/11/92	<i>Handwritten initials</i> 6/11/92
10	CHANGED U25 FROM AC32 TO ALS32; ADDED R66 AND REVISED DOC CTL BLK PER ECO #921211-00	JV 12/22/92	<i>Handwritten initials</i> 3/5/93

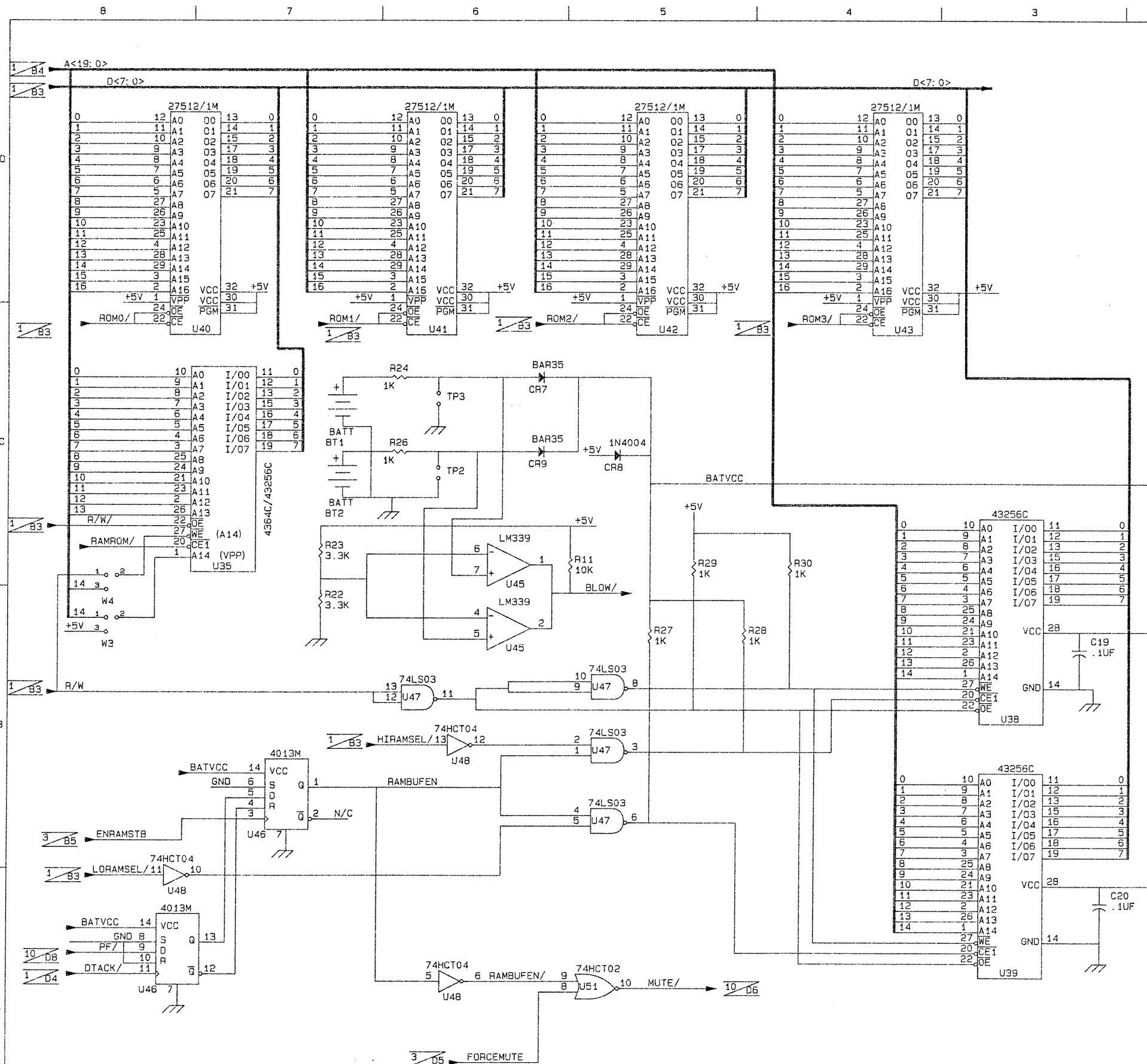


- NOTES
1. UNLESS OTHERWISE INDICATED, RESISTORS ARE 5%, 1/4W.
 2. UNLESS OTHERWISE INDICATED, CAPACITORS ARE UF/V.
 3. UNLESS OTHERWISE INDICATED, DIODES ARE 1N4148.
 4. ANALOG GROUND // DIGITAL GROUND = CHASSIS GROUND = PWR GND
 5. 1 DENOTES SHEET NUMBER AND A2 INTERSECT COORDINATE.
 6. ON BOARD CONNECTION-TO
ON BOARD CONNECTION-FROM
SOLDER CONNECTION
 7. 74HCT74, U8 TO BE RCA PART ONLY.

DOCUMENT CONTROL BLOCK: #060-04384	
SHEET NUMBER	REVISION NUMBER
1 OF 10	IC
2 OF 10	6
3 OF 10	5
4 OF 10	S
5 OF 10	5
6 OF 10	3
7 OF 10	4
8 OF 10	3
9 OF 10	3
10 OF 10	7

CONTRACT NO.		[exicon]	
APPROVALS		DATE	
DRAWN PF	2-10-86	TITLE	
CHECKED PF	4/28/86	SCHEMATIC, HOST, M480L	
ISSUED RJ	4/28/86	SIZE	CODE NUMBER
G.C. JZ	3/3/86	D	060-04384
		REV.	10
		SHEET 1 OF 10	

100 BEAVER ST. WALTHAM, MA. 02154

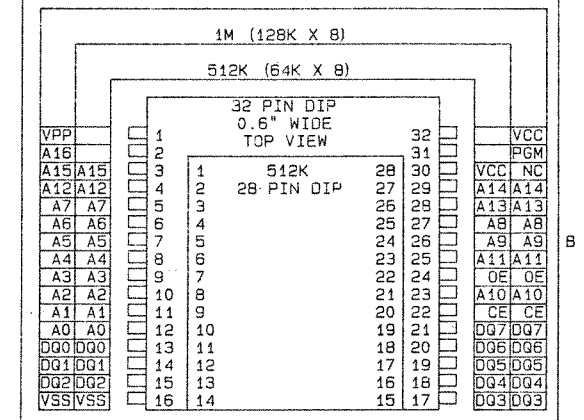
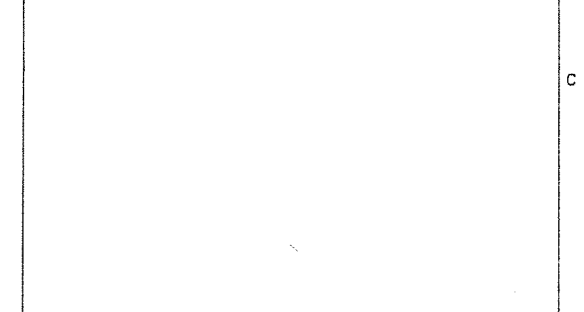


REVISIONS			
REV	DESCRIPTION	DRAFTER/CHECKER	D.C./AUTHORIZED
3	REDRAWN FOR PRODUCTION RELEASE OF REV 3 PCB	PF 5/11/87 PF 5/11/87	JZ 5/11/87 PF 5/11/87
4	CHANGED R/W SIGNAL PER ECO 870615-00; ADDED NOTES.	PF 8/3/87 PF 8/5/87	JZ 8/5/87 PF 8/3/87
5	REVISED PER ECO # 900411-01	RW 3/11/90 JW 6/4/90	RW 6/4/90 JW 6/4/90
6	R29, AND R30 CONNECTED TO +5V, PER ECO 900411-01-B	RW 3/21/92 JW 3/21/92	RW 3/21/92 JW 3/21/92

NOTES

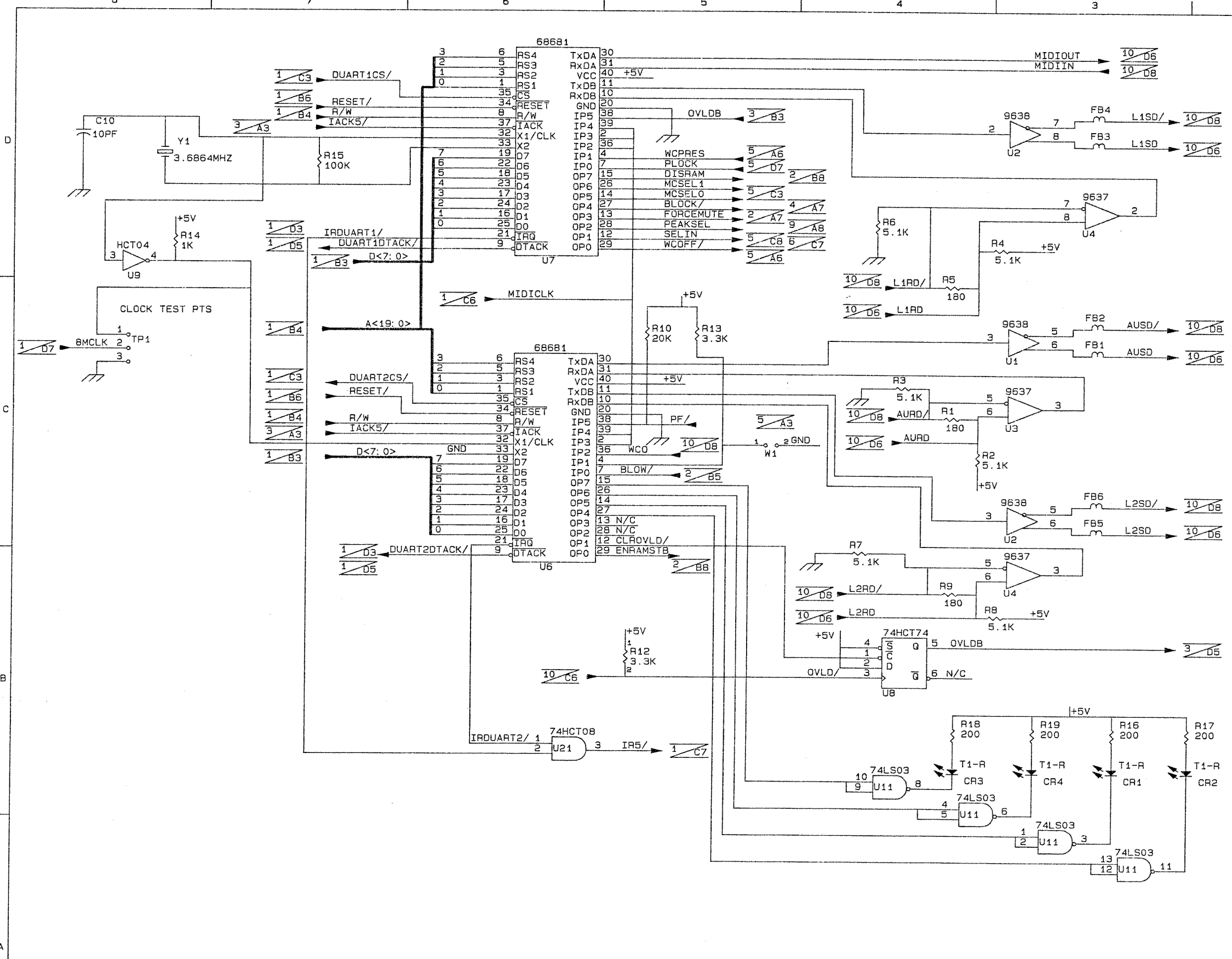
- JUMPERS W3, W4 TO BE INSTALLED BETWEEN 1 & 2 FOR 8K X 8 OR 32K X 8 STATIC RAMS.
- JUMPERS W3, W4 TO BE INSTALLED BETWEEN 2 & 3 FOR 27256 EPROM.
- LABELS IN PARENTHESES REFER TO 27256 PIN NAMES.

1. JUMPERS W3, W4 TO BE INSTALLED BETWEEN 1 & 2 FOR 8K X 8 OR 32K X 8 STATIC RAMS.
2. JUMPERS W3, W4 TO BE INSTALLED BETWEEN 2 & 3 FOR 27256 EPROM.
3. LABELS IN PARENTHESES REFER TO 27256 PIN NAMES.



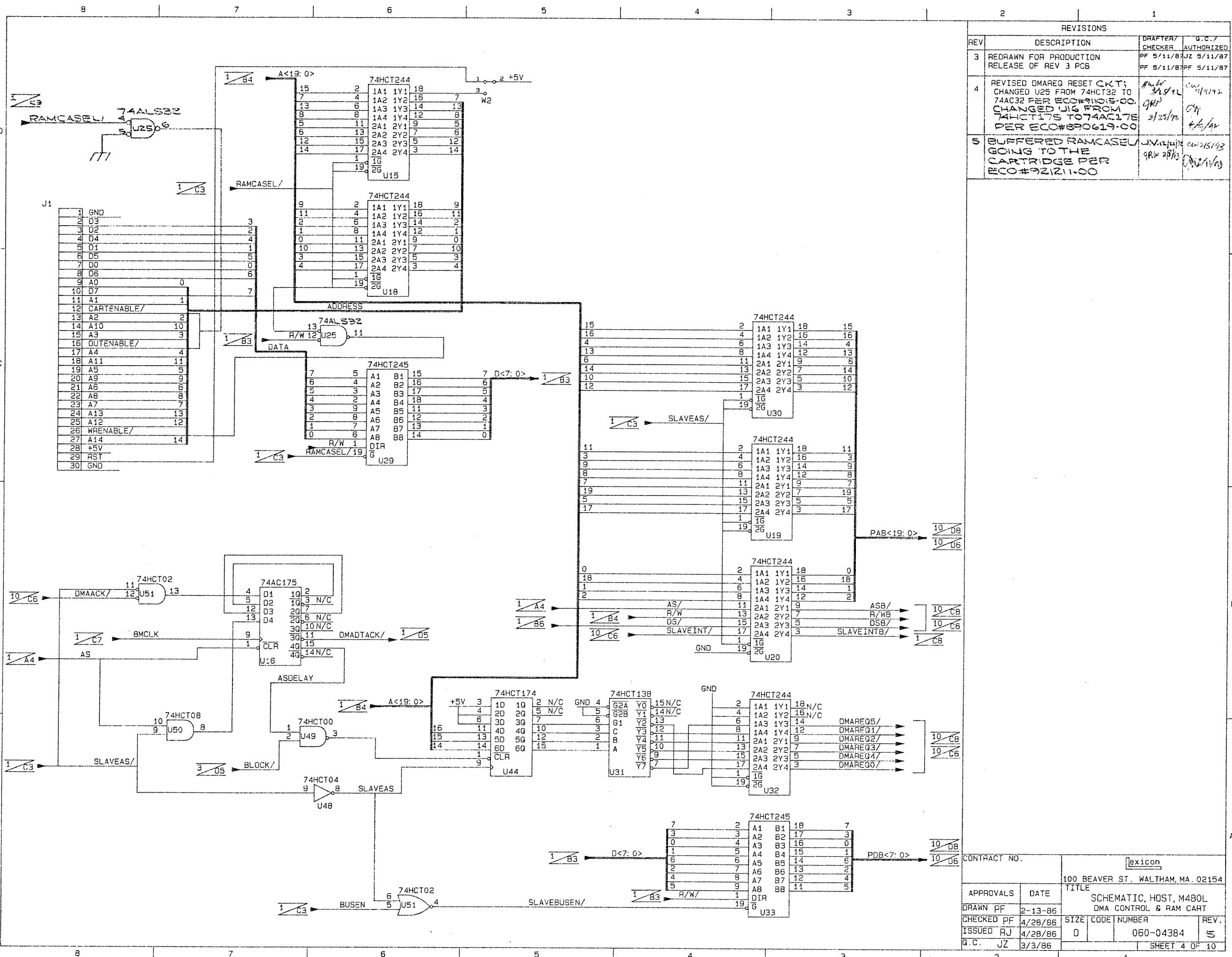
CONTRACT NO.		lexicon	
100 BEAVER ST. WALTHAM, MA. 02154		TITLE	
APPROVALS		DATE	
DRAWN PF		2-12-86	
CHECKED PF		4/28/86	
ISSUED RJ		4/28/86	
D.C. JZ		3/3/86	

APPROVALS		DATE		TITLE	
DRAWN PF		2-12-86		SCHEMATIC, HOST, M480L	
CHECKED PF		4/28/86		ROM AND NON-VOLATILE STORE	
ISSUED RJ		4/28/86		SIZE CODE NUMBER	
D.C. JZ		3/3/86		060-04384 6	
				SHEET 2 OF 10	



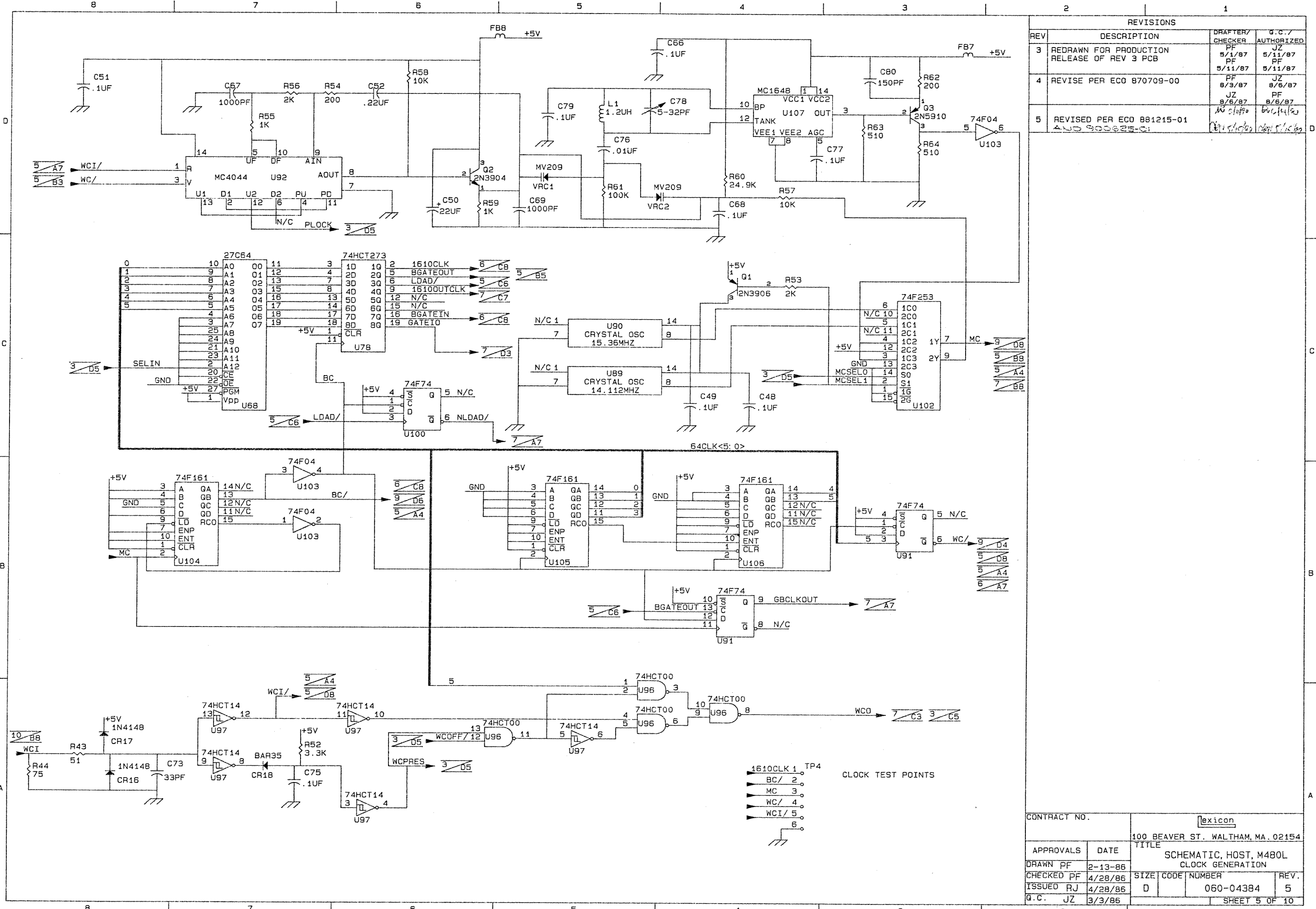
REVISIONS			
REV	DESCRIPTION	DRAFTER/CHECKER	G.C./AUTHORIZED
3	REDRAWN FOR PRODUCTION RELEASE OF REV 3 PCB	PF 5/1/87 PF 5/11/87	JZ 5/11/87 PF 5/11/87
4	REVISED PER ECO 870728-00 DUART CLOCK CIRCUIT MOD.	PF 8/8/87 PF 8/8/87	JZ 8/8/87 PF 8/8/87
5	REVISED PER ECO# 900411-01	PF 5/15/87	JZ 5/15/87

CONTRACT NO.		lexicon		
		100 BEAVER ST. WALTHAM, MA. 02154		
APPROVALS	DATE	TITLE		
DRAWN PF	2-13-86	SCHEMATIC, HOST, M480L		
CHECKED PF	4/28/86	SERIAL COMMUNICATION		
ISSUED RJ	4/28/86	SIZE	CODE NUMBER	REV.
G.C. JZ	3/3/86	D	060-04384	5
		SHEET 3 OF 10		



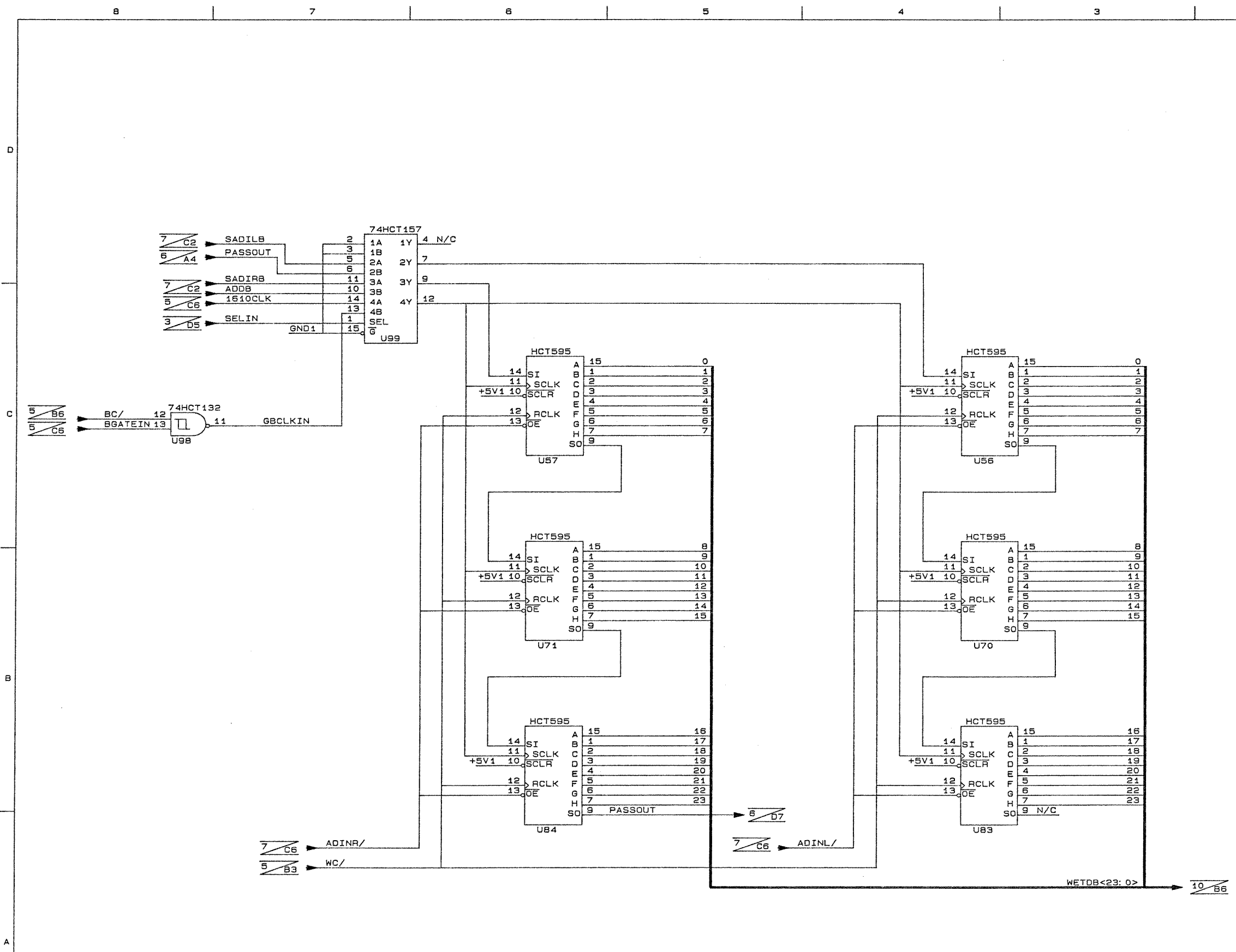
REVISIONS			
REV	DESCRIPTION	DRAFTER/CHECKER	Q.C./AUTHORIZED
3	REDRAWN FOR PRODUCTION RELEASE OF REV 3 PCB	PF 5/11/87 PF 5/11/87	JZ 5/11/87 PF 5/11/87
4	REVISED DMAREG RESET CKT; CHANGED U25 FROM 74HCT32 TO 74AC32 PER ECO#31015-00. CHANGED U16 FROM 74HCT175 TO 74AC175 PER ECO#390619-00	AW 2/25/87 JRW 2/25/87	AW 4/2/87 JRW 4/2/87
5	BUFFERED RAMCASSEL/ GOING TO THE CARTRIDGE PER ECO#321211-00	JRW 2/25/87 JRW 2/25/87	AW 2/25/87 JRW 2/25/87

CONTRACT NO.		Lexicon	
100 BEAVER ST. WALTHAM, MA. 02154			
APPROVALS		DATE	
DRAWN PF	2-13-86	TITLE	
CHECKED PF	4/28/86	SIZE	CODE NUMBER
ISSUED RJ	4/28/86	0	060-04384
Q.C. JZ	3/3/86	REV. S	
		SHEET 4 OF 10	



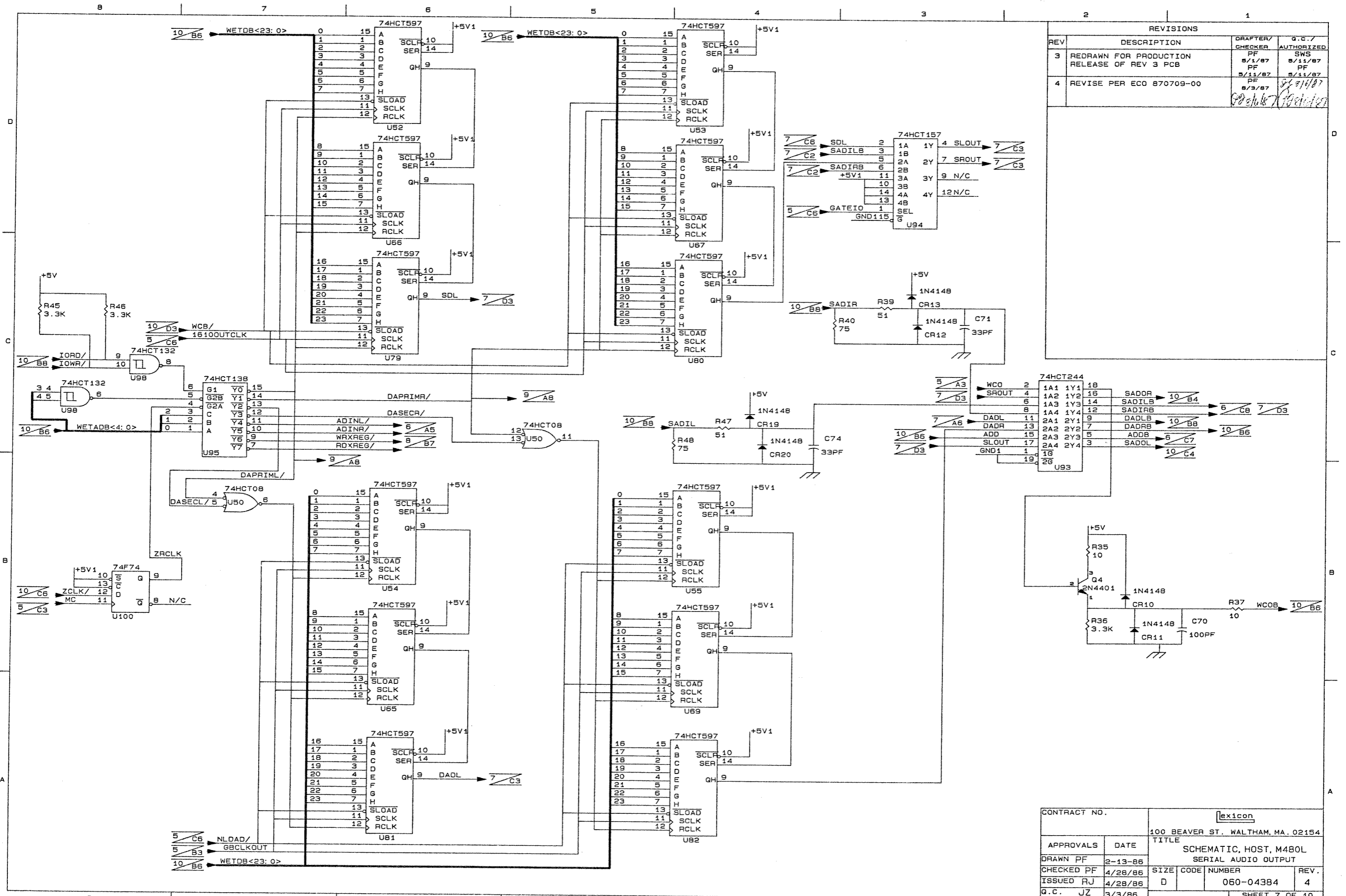
REVISIONS			
REV	DESCRIPTION	DRAFTER/CHECKER	Q.C. / AUTHORIZED
3	REDRAWN FOR PRODUCTION RELEASE OF REV 3 PCB	PF 5/11/87 PF 5/11/87	JZ 5/11/87 PF 5/11/87
4	REVISE PER ECO 870709-00	PF 8/3/87 JZ 8/6/87	JZ 8/6/87 PF 8/6/87
5	REVISED PER ECO 881215-01 AND 900825-01	PF 8/6/87 JZ 8/6/87	JZ 8/6/87 PF 8/6/87

CONTRACT NO.		Lexicon		
		100 BEAVER ST. WALTHAM, MA. 02154		
APPROVALS	DATE	TITLE		
DRAWN PF	2-13-86	SCHEMATIC, HOST, M480L		
CHECKED PF	4/28/86	CLOCK GENERATION		
ISSUED RJ	4/28/86	SIZE	CODE NUMBER	REV.
Q.C.	JZ 3/3/86	D	060-04384	5
				SHEET 5 OF 10



REVISIONS			
REV	DESCRIPTION	DRAFTER/CHECKER	AUTHORIZED
3	REDRAWN FOR PRODUCTION RELEASE OF REV 3 PCB	RF-1-87 RF-4-87	JLS/5-87 JLS/4-87

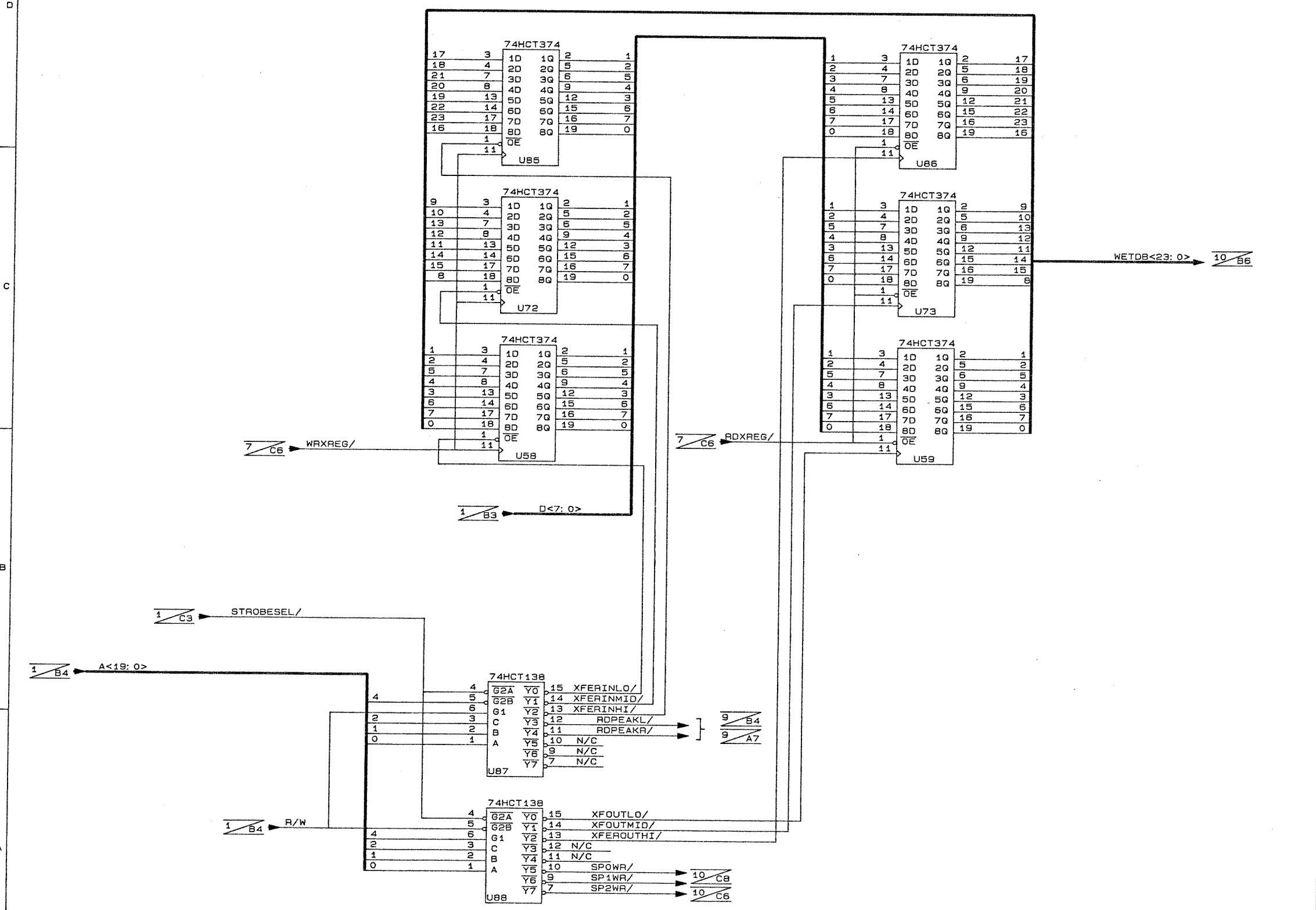
CONTRACT NO.		lexicon		
		100 BEAVER ST. WALTHAM, MA. 02154		
APPROVALS	DATE	TITLE		
DRAWN PF	2-13-86	SCHEMATIC, HOST, M480L		
CHECKED PF	4/28/86	SERIAL AUDIO INPUT		
ISSUED RJ	4/28/86	SIZE	CODE	NUMBER
Q.C.	JZ	D		060-04384
	3/3/86			3
		SHEET 6 OF 10		



REVISIONS			
REV	DESCRIPTION	DRAFTER/CHECKER	G.C./AUTHORIZED
3	REDRAWN FOR PRODUCTION RELEASE OF REV 3 PCB	PF 5/1/87	SWS 5/11/87
4	REVISE PER ECO 870709-00	PF 5/11/87	PF 5/11/87

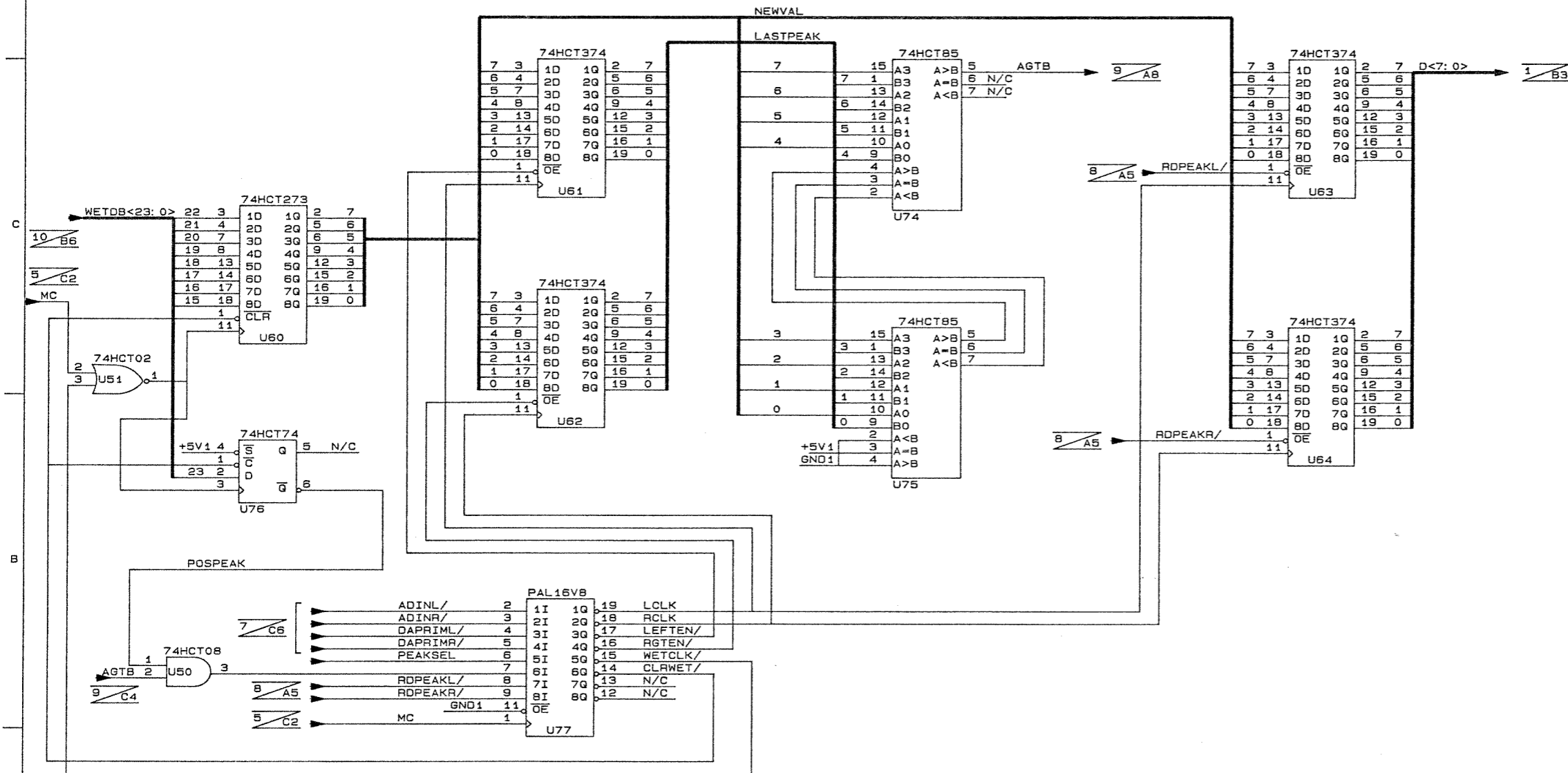
CONTRACT NO.		lexicon			
		100 BEAVER ST. WALTHAM, MA. 02154			
APPROVALS		DATE		TITLE	
DRAWN PF		2-13-86		SCHEMATIC, HOST, M480L	
CHECKED PF		4/28/86		SERIAL AUDIO OUTPUT	
ISSUED RJ		4/28/86		SIZE	CODE NUMBER
G.C. JZ		3/3/86		D	060-04384
				REV.	4
				SHEET 7 OF 10	

REVISIONS			
REV	DESCRIPTION	DRAFTER/ CHECKER	G.C./ AUTHORIZED
3	REDRAWN FOR PRODUCTION RELEASE OF REV 3 PCB	PF 5-11-87 PF 5-11-87	JW 5-11-87 JW 5-11-87

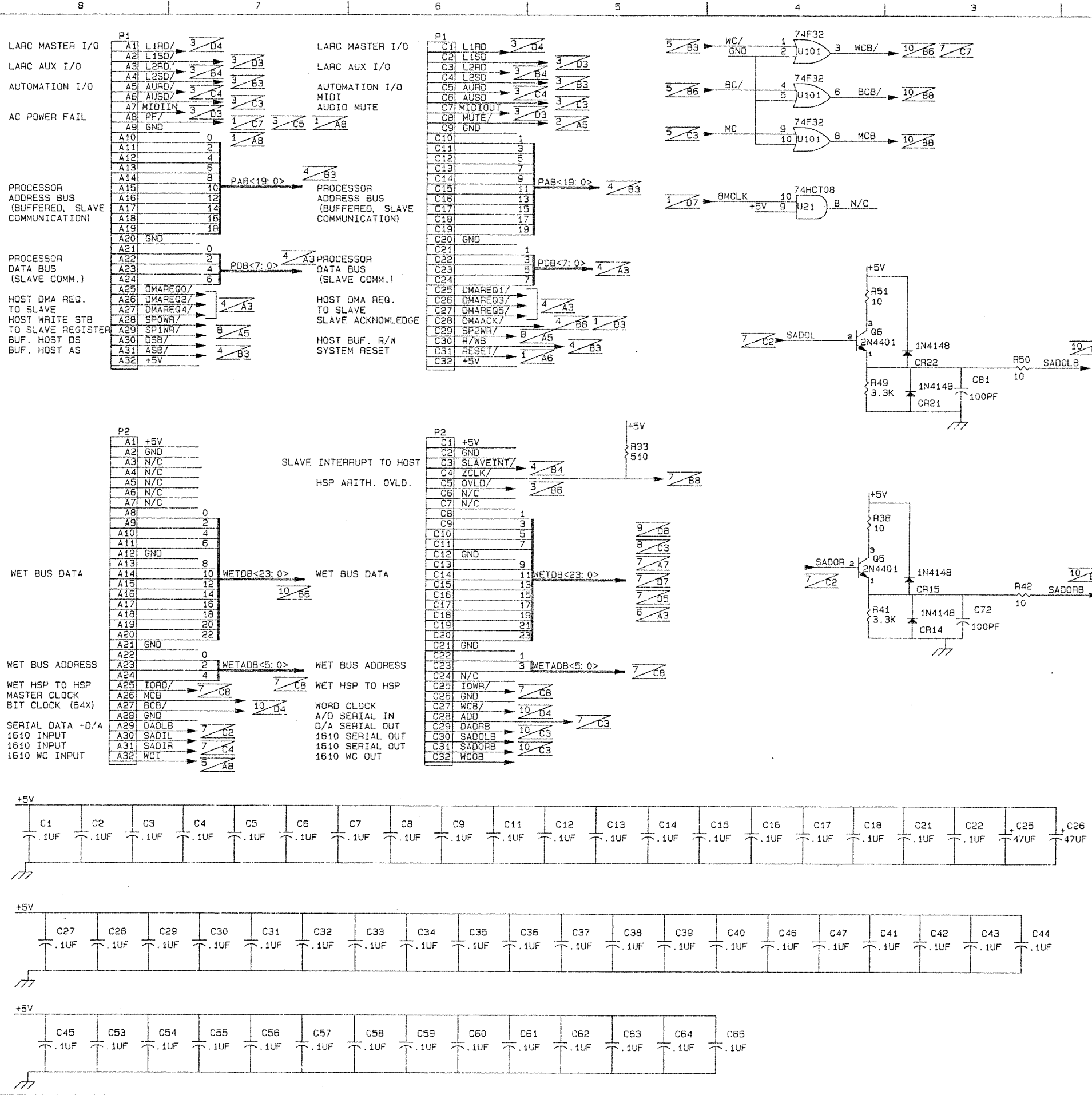


CONTRACT NO.		lexicon		
		100 BEAVER ST. WALTHAM, MA. 02154		
APPROVALS	DATE	TITLE		
DRAWN PF	2-13-86	SCHEMATIC, HOST, M480L TRANSFER REGISTERS		
CHECKED PF	4/28/86	SIZE	CODE	NUMBER
ISSUED RJ	4/28/86	D		060-04384
G.C.	JZ	3/3/86		REV. 3
				SHEET 8 OF 10

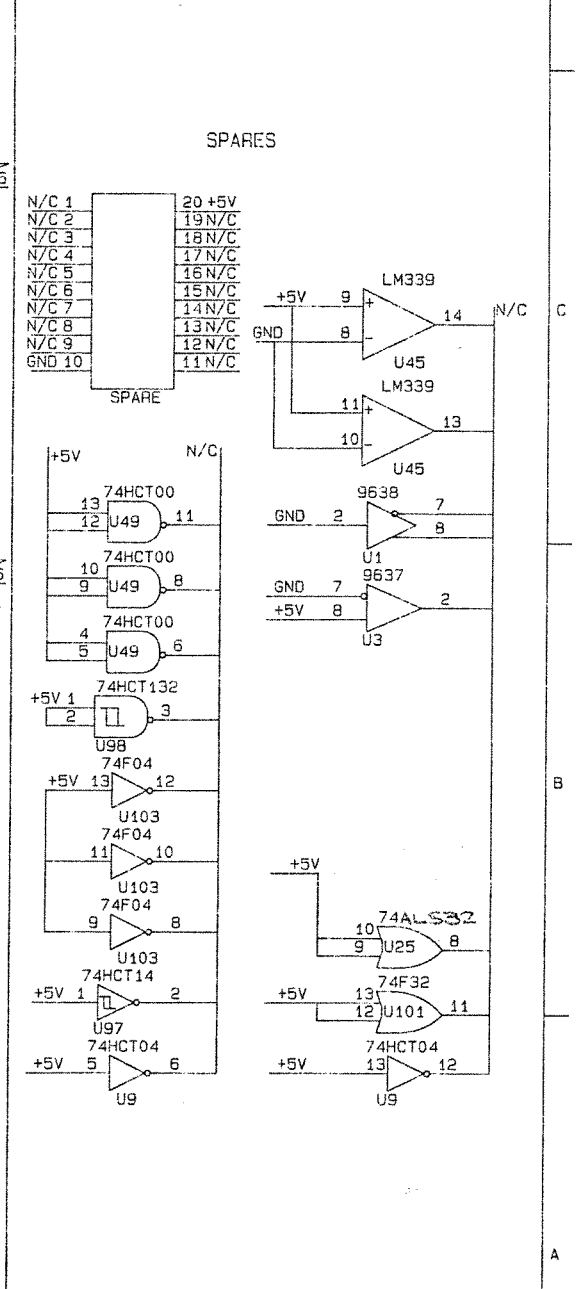
REVISIONS			
REV	DESCRIPTION	DRAFTER/ CHECKER	Q.C./ AUTHORIZED
3	REDRAWN FOR PRODUCTION RELEASE OF REV 3 PCB; REVISE U74 PER ECO 870416-00	PF 5-11-87 PF 5-11-87	JAZ 5-11-87 JAZ 5-11-87



CONTRACT NO.		lexicon			
		100 BEAVER ST. WALTHAM, MA. 02154			
APPROVALS	DATE	TITLE			
DRAWN PF	2-13-86	SCHEMATIC, HOST, M480L			
CHECKED PF	4/28/86	DIGITAL PEAK DETECT			
ISSUED RJ	4/28/86	SIZE	CODE	NUMBER	REV.
Q.C. JZ	3/3/86	D		060-04384	3
		SHEET 9 OF 10			



REVISIONS			
REV	DESCRIPTION	DRAWN/CHECKER/DATE	AUTHORIZED/DATE
3	REDRAWN FOR PRODUCTION RELEASE OF REV 3 PCB	PF 5/1/87 PF 5/11/87	SWS 5/11/87 PF 5/11/87
4	REVISED U21 PER ECO 870604-00.	PF 8/3/87 PF 8/6/87	JZ 8/4/87 PF 8/6/87
5	REVISED PER ECO# 900411-01	RW 8/30/90 JRW 9/4/90	RWH 9/4/90 CB 9/4/90
6	CHANGED U25 FROM 74HCT32 TO 74AC32, PER ECO 911015-00	<i>[Handwritten initials]</i>	<i>[Handwritten initials]</i>
7	CHANGED U25 FROM 74AC32 TO 74ALS32 PER ECO#9211-00	<i>[Handwritten initials]</i>	<i>[Handwritten initials]</i>



CONTRACT NO.		lexicon	
		100 BEAVER ST. WALTHAM, MA. 02154	
APPROVALS	DATE	TITLE	
DRAWN PF	2-13-86	SCHEMATIC, HOST, M480L CONNECTORS AND BYPASSES	
CHECKED PF	4/28/86	SIZE	CODE NUMBER
ISSUED RJ	4/28/86	D	060-04384
D.C. JZ	3/3/86	REV.	7
		SHEET 10 OF 10	