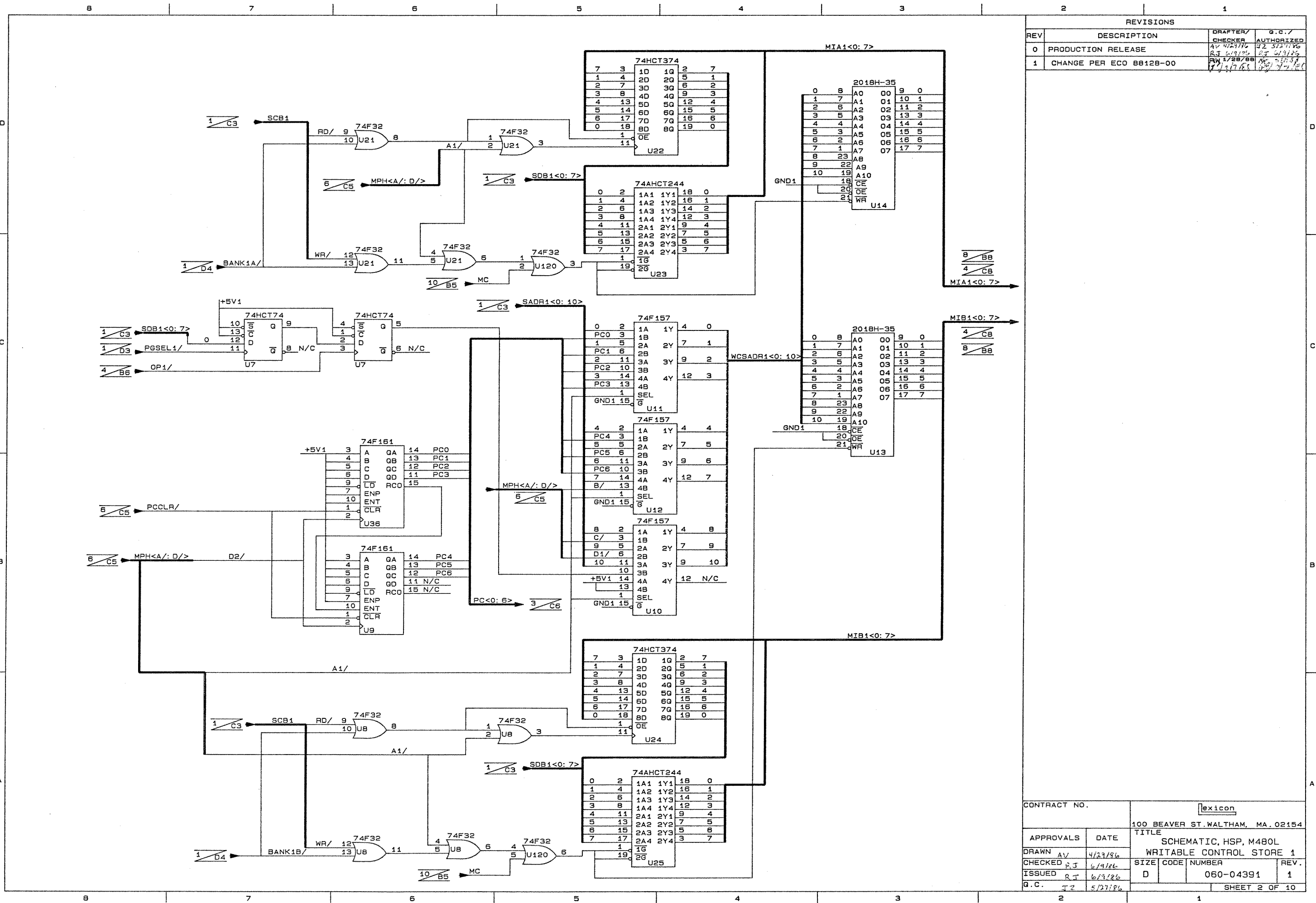


REVISIONS			
REV	DESCRIPTION	DRAFTER/ CHECKER	Q.C./ AUTHORIZED
0	PRODUCTION RELEASE	AV 4/29/86 RJ 6/9/86	RJ 6/9/86
1	CHANGED DMAACK/ SIGNAL PER ECO #860612-00; UPDATE DOCUMENT CONTROL BLOCK	CW 9/9/86 RJ 9/19/86	JZ 9/25/86 RJ 9/19/86
2	DELETED R4 & R5 PER ECO 870317-01	SWS3/31/87 PF 4/9/87	JZ 4/9/87 PF 4/19/87
3	UPDATE DOCUMENT CONTROL BLOCK	CW 8/3/87 PF 8/6/87	JZ 8/6/87 PF 8/6/87
4	UPDATED DOCUMENT CONTROL BLOCK PER ECO #871228-00	JV 1/14/88 PF 1/19/88	LDR1/19/88 PF 1/19/88
5	CHANGES PER ECO 880128-00	RW 1/28/88	<i>PO 2/12/88</i> <i>PO 2/12/88</i>

- NOTES
- UNLESS OTHERWISE INDICATED, RESISTORS ARE 5%, 1/4W.
 - UNLESS OTHERWISE INDICATED, CAPACITORS ARE UF/V.
 - UNLESS OTHERWISE INDICATED, DIODES ARE 1N4148.
 - ANALOG GROUND // DIGITAL GROUND = CHASSIS GROUND // ANALOG GROUND // PWR GND
 - 1 DENOTES SHEET NUMBER AND A2 INTERSECT COORDINATE.
 - ON BOARD/OFF BOARD CONNECTION-TO ON BOARD/OFF BOARD CONNECTION-FROM
 SOLDER CONNECTION
 +5V1
 GND1

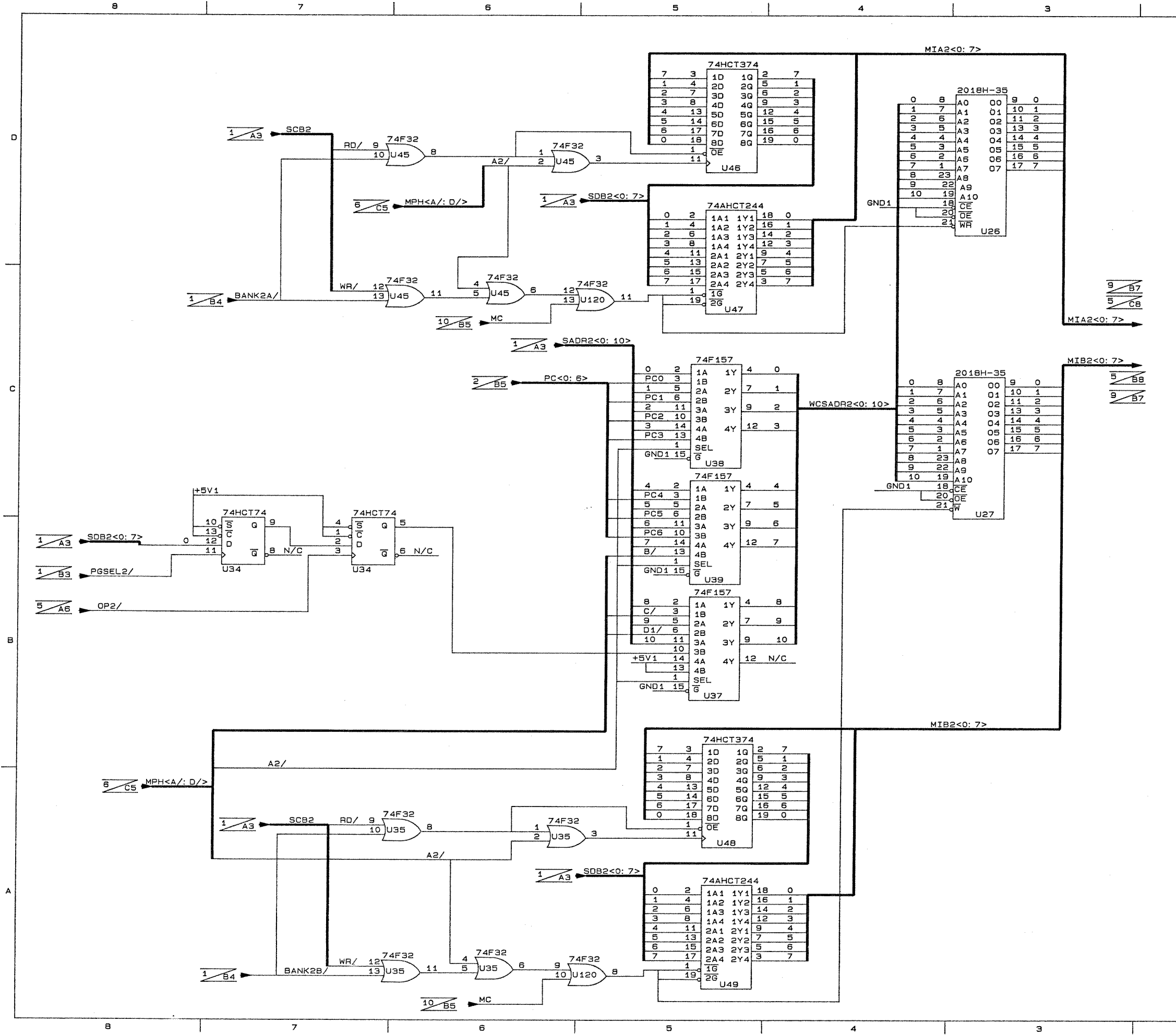
DOCUMENT CONTROL BLOCK: #060-04391	
SHEET NUMBER	REVISION NUMBER
1 OF 10	5
2 OF 10	1
3 OF 10	2
4 OF 10	0
5 OF 10	0
6 OF 10	1
7 OF 10	0
8 OF 10	0
9 OF 10	0
10 OF 10	3

CONTRACT NO.		[exicon]	
APPROVALS		DATE	
AV	4/29/86	TITLE	
RJ	6/9/86	SCHEMATIC, HSP, M480L	
RJ	6/9/86	SLAVE PROCESSORS	
JZ	5/27/86	SIZE	CODE NUMBER
		D	060-04391
			REV. 5
			SHEET 1 OF 10



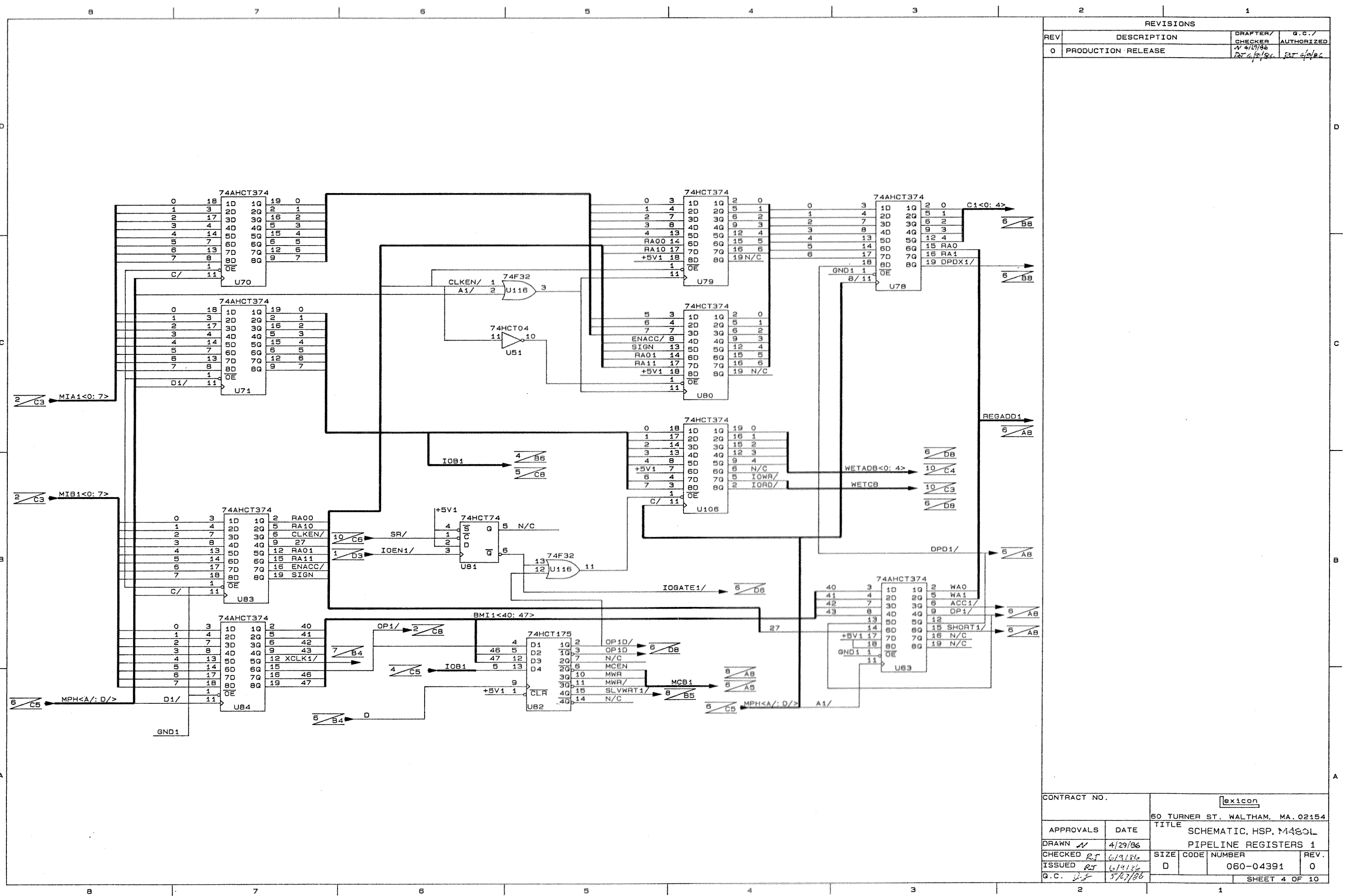
REVISIONS			
REV	DESCRIPTION	DRAFTER/CHECKER	Q.C./AUTHORIZED
0	PRODUCTION RELEASE	AV 4/23/86 RJ 5/19/86	JZ 5/21/86
1	CHANGE PER ECO 88128-00	RW 1/28/88 RJ 5/19/86	JZ 5/21/86

CONTRACT NO.		lexicon	
		100 BEAVER ST. WALTHAM, MA. 02154	
APPROVALS		DATE	
DRAWN AV		4/23/86	
CHECKED RJ		5/19/86	
ISSUED RJ		6/19/86	
G.C. JZ		5/21/86	
TITLE		SCHEMATIC, HSP, M480L WRITABLE CONTROL STORE 1	
SIZE	CODE	NUMBER	REV.
D		060-04391	1
			SHEET 2 OF 10



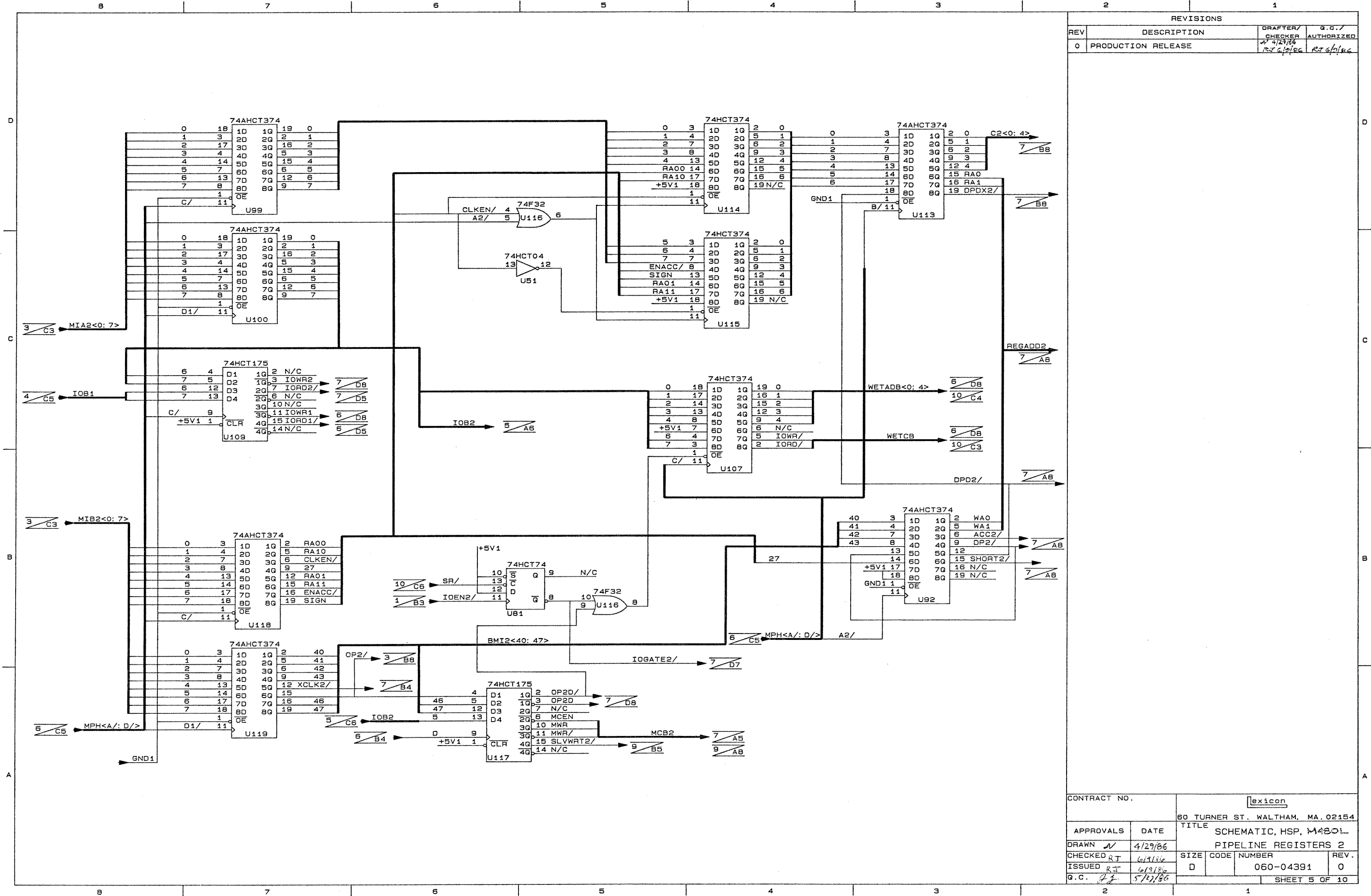
REVISIONS			
REV	DESCRIPTION	DRAFTER/ CHECKER	Q.C./ AUTHORIZED
0	PRODUCTION RELEASE	AV 4/29/86 RJ 6/9/86	JZ 5/27/86 RJ 6/9/86
1	CHANGE U45 TO 74HCT32 PER ECO #871228-00	JV 1/14/88 PF 1/19/88	LDR1/19/88 PF 1/19/88
2	CHANGE PER ECO 880128-00	RW 1/28/88	<i>[Signature]</i>

CONTRACT NO.		lexicon	
		100 BEAVER ST. WALTHAM, MA. 02154	
APPROVALS		DATE	
DRAWN AV		4/29/86	
CHECKED RJ		6/9/86	
ISSUED RJ		6/9/86	
Q.C. JZ		5/27/86	
TITLE		SCHEMATIC, HSP, M480L WRITABLE CONTROL STORE 2	
SIZE	CODE	NUMBER	REV.
D		060-04391	2
			SHEET 3 OF 10



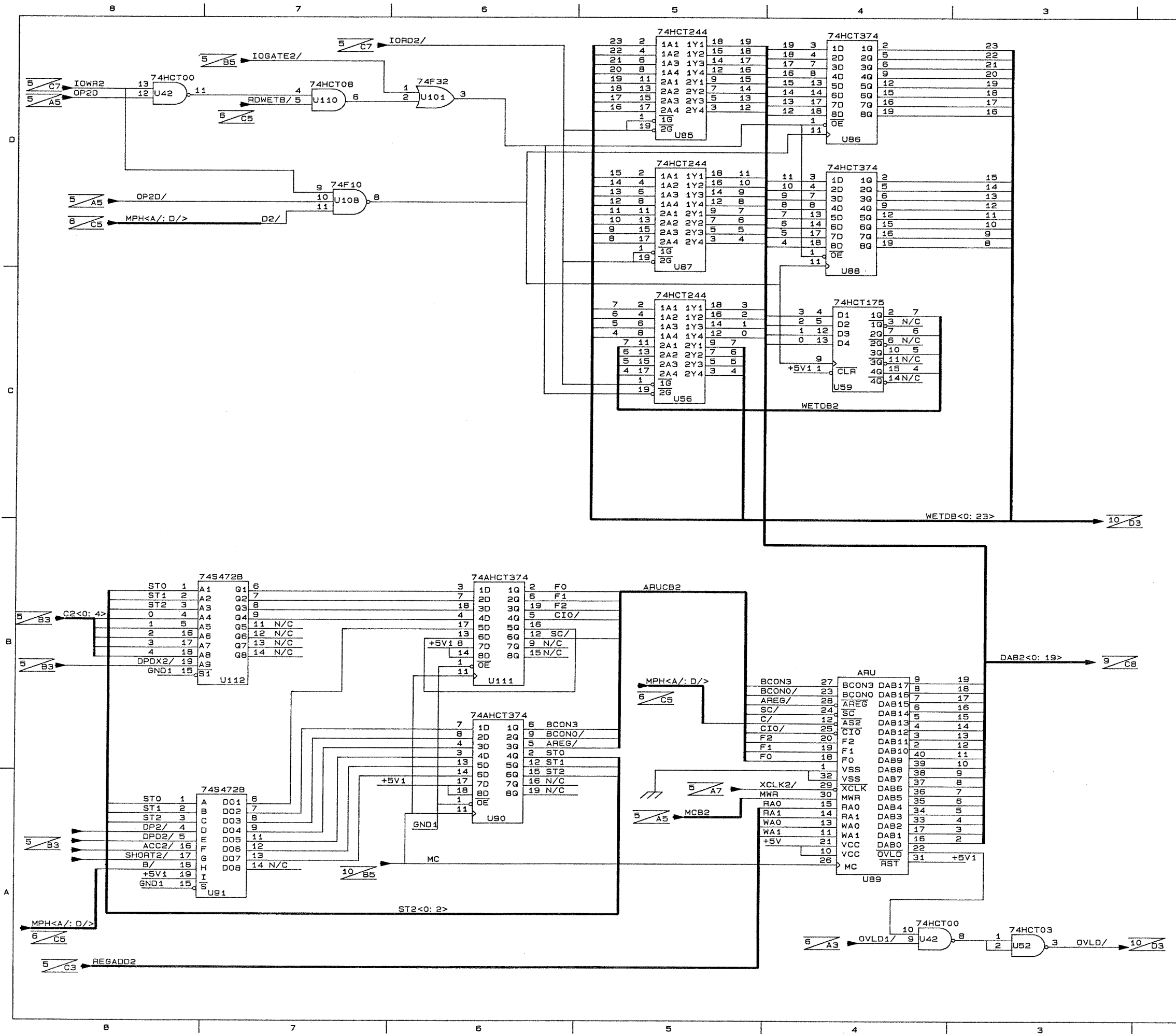
REVISIONS			
REV	DESCRIPTION	DRAFTER/CHECKER	G.C./AUTHORIZED
0	PRODUCTION RELEASE	RT/RT/86	RT/RT/86

CONTRACT NO.		lexicon	
		60 TURNER ST. WALTHAM, MA. 02154	
APPROVALS	DATE	TITLE	
DRAWN <i>RT</i>	4/29/86	SCHEMATIC, HSP, M480L	
CHECKED <i>RT</i>	6/9/86	PIPELINE REGISTERS 1	
ISSUED <i>RT</i>	6/9/86	SIZE	CODE NUMBER
G.C. <i>RT</i>	5/6/86	D	060-04391
		REV.	0
		SHEET 4 OF 10	



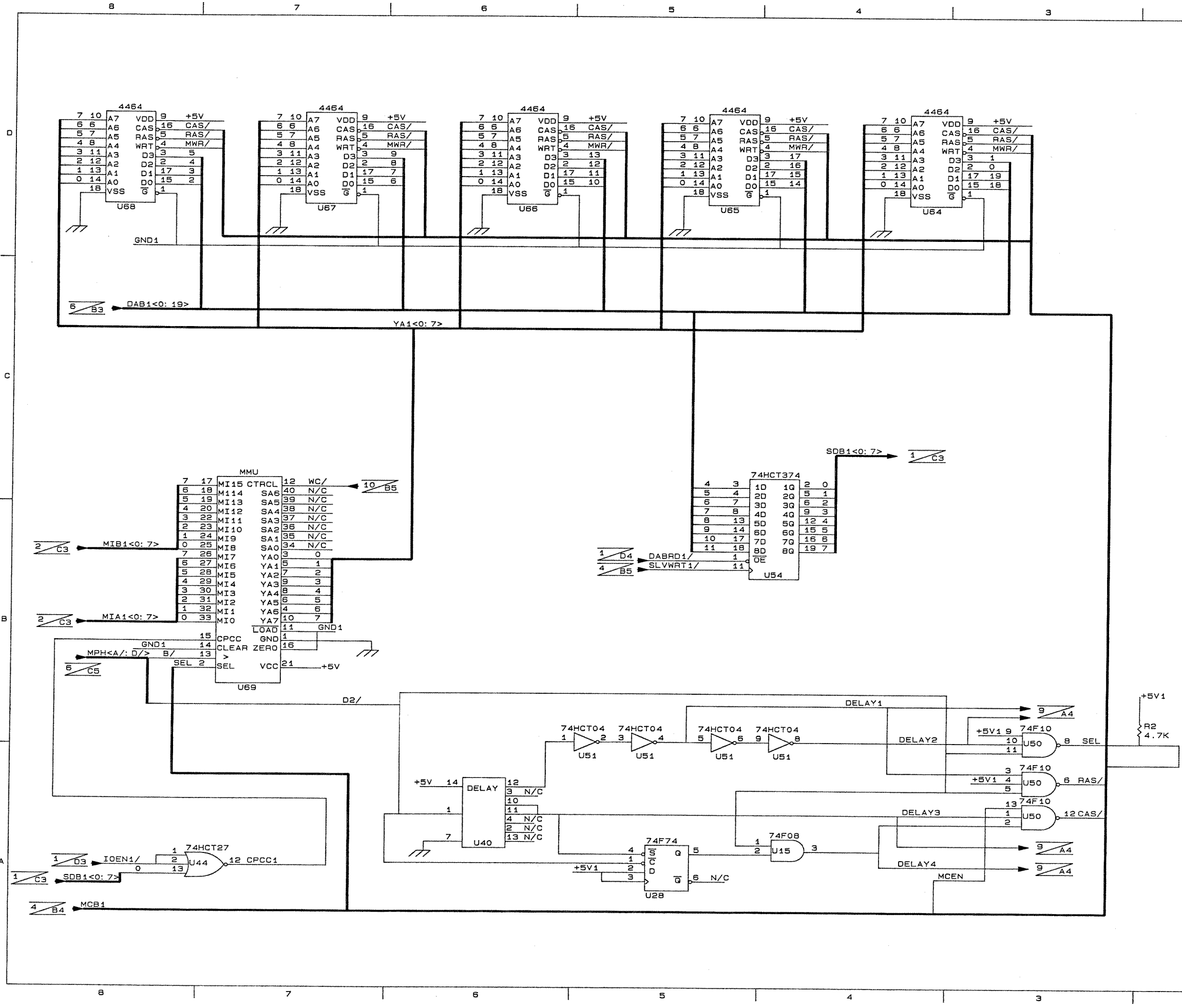
REVISIONS			
REV	DESCRIPTION	DRAFTER/ CHECKER	G.C./ AUTHORIZED
0	PRODUCTION RELEASE	RT 4/29/86 RT 6/1/86	RT 6/1/86

CONTRACT NO.		[lexicon]	
APPROVALS		DATE	
DRAWN N		4/29/86	
CHECKED RT		6/1/86	
ISSUED RT		6/1/86	
G.C. RT		5/27/86	
TITLE		60 TURNER ST. WALTHAM, MA. 02154	
SCHEMATIC, HSP, M4301		PIPELINE REGISTERS 2	
SIZE	CODE	NUMBER	REV.
D		060-04391	0
SHEET 5 OF 10			



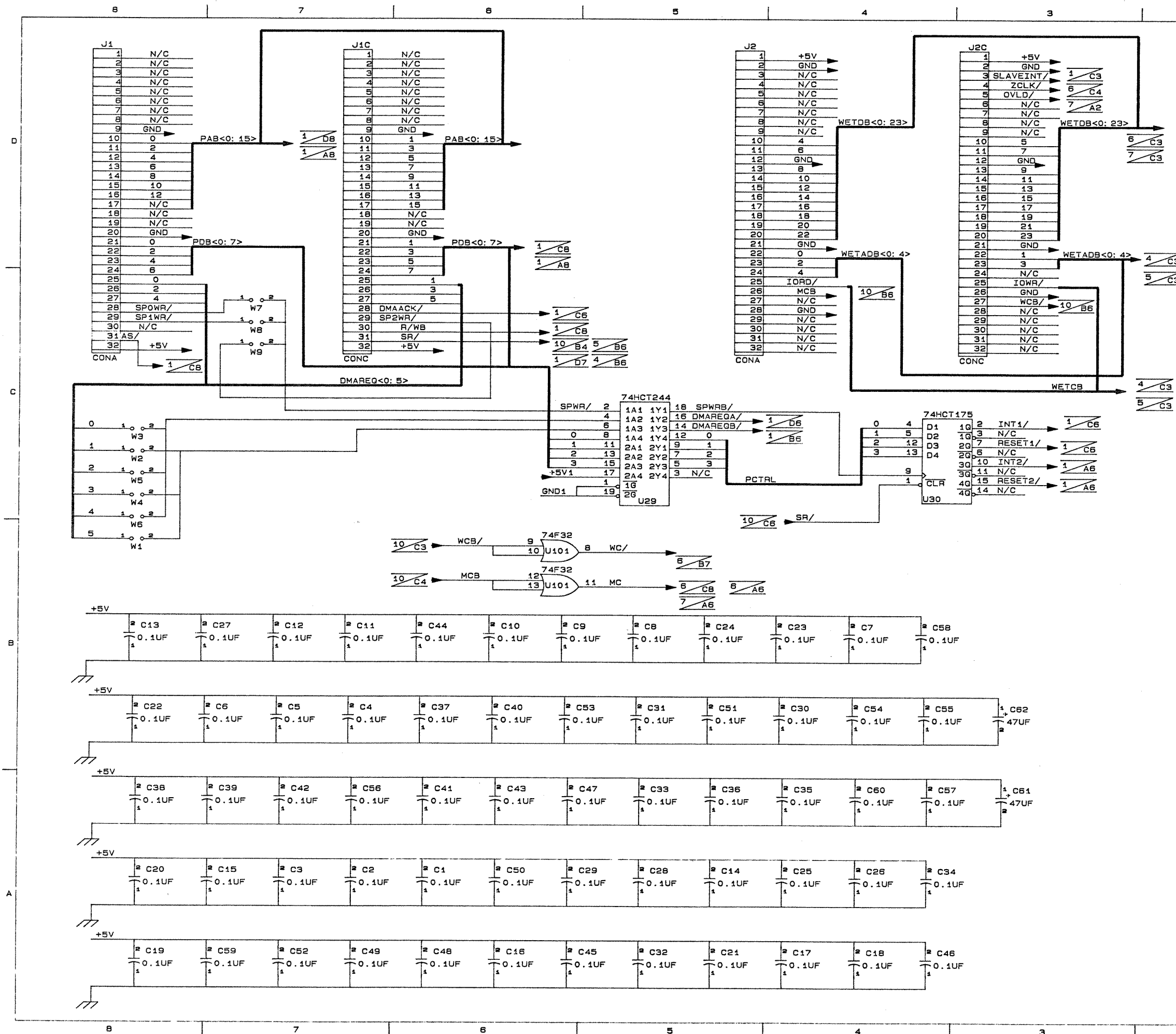
REVISIONS			
REV	DESCRIPTION	DRAFTER/CHECKER	G.C./AUTHORIZED
0	PRODUCTION RELEASE	RF	RF

CONTRACT NO.		lexicon	
APPROVALS		60 TURNER ST. WALTHAM, MA. 02154	
DATE	TITLE		
6/23/86	SCHEMATIC, HSP, M480L		
DRAWN RF		HSP ARITHMETIC UNIT 2	
CHECKED RJ	SIZE	CODE	NUMBER
ISSUED RJ	D		060-04391
G.C.			REV. 0
			SHEET 7 OF 10



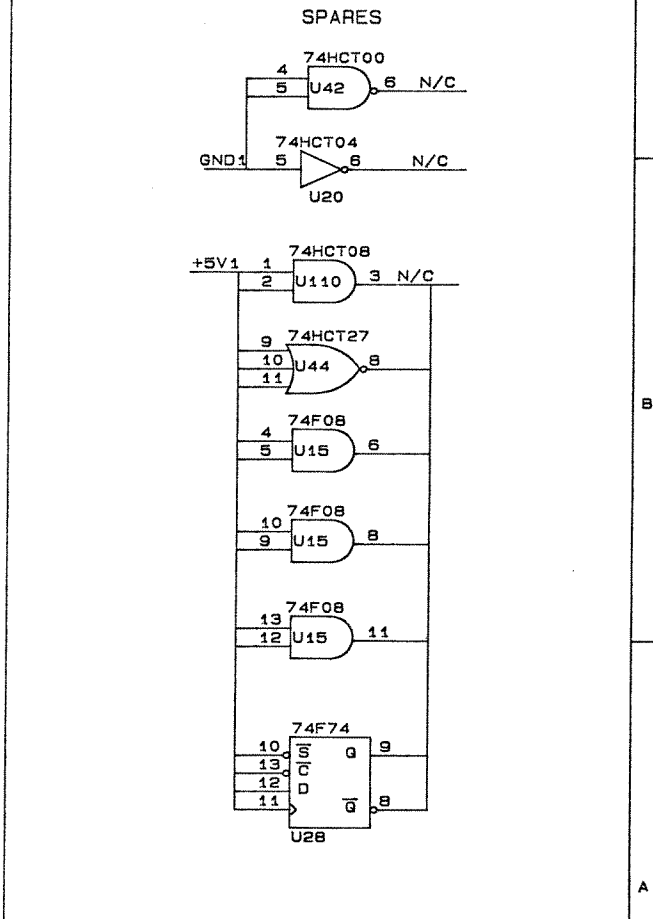
REVISIONS			
REV	DESCRIPTION	DRAFTER/CHECKER	G.C./AUTHORIZED
0	PRODUCTION RELEASE	RT/MS/RS	RT/MS/RS

CONTRACT NO.		lexicon		
		60 TURNER ST. WALTHAM, MA. 02154		
APPROVALS	DATE	TITLE		
DRAWN ✓	4/30/86	SCHEMATIC, HSP, M430L		
CHECKED RT	6/4/86	AUDIO MEMORY 1 (18-BIT)		
ISSUED RT	6/9/86	SIZE	CODE	NUMBER
G.C. RT	5/27/86	D		060-04391
				REV. 0
				SHEET 8 OF 10



REVISIONS			
REV	DESCRIPTION	DRAFTER/CHECKER	AUTHORIZED
0	PRODUCTION RELEASE	PF 6/23/86	RJ 6/17/86
1	CHANGED DMAACK/ SIGNAL PER ECO #860612-00	CW 9/9/86 RJ 9/19/86	JZ 9/25/86 RJ 9/19/86
2	ADDED JUMPER NOTES	PF 8/3/87	JZ 8/6/87
3	CHANGE PER ECO 88128-00	PF 1/28/88 RJ 1/28/88	JZ 2/17/88

- NOTES
- FOR HSP BOARD 1 JUMPER W2, W3, W7.
 - FOR HSP BOARD 2 JUMPER W4, W5, W8.
 - FOR HSP BOARD 3 JUMPER W1, W6, W9.



CONTRACT NO.		lexicon	
		100 BEAVER ST. WALTHAM, MA. 02154	
APPROVALS	DATE	TITLE	
DRAWN PF	6/23/86	SCHEMATIC, HSP, M480L	
CHECKED RJ	6/17/86	CONNECTORS & BYPASS CAPS	
ISSUED RJ	6/17/86	SIZE	CODE NUMBER
G.C.	JZ 6/20/86	D	060-04391
		REV.	3
		SHEET 10 OF 10	