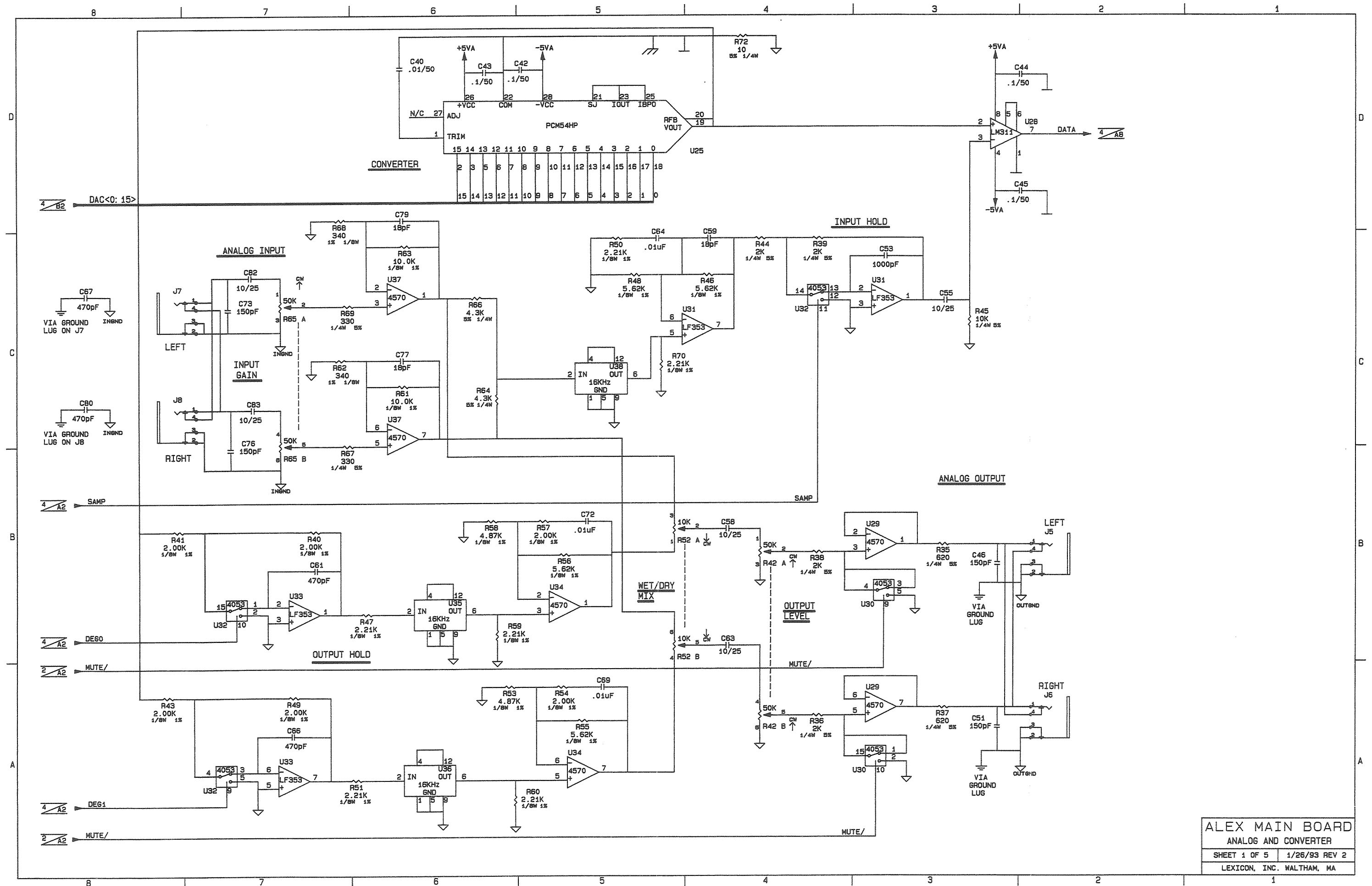
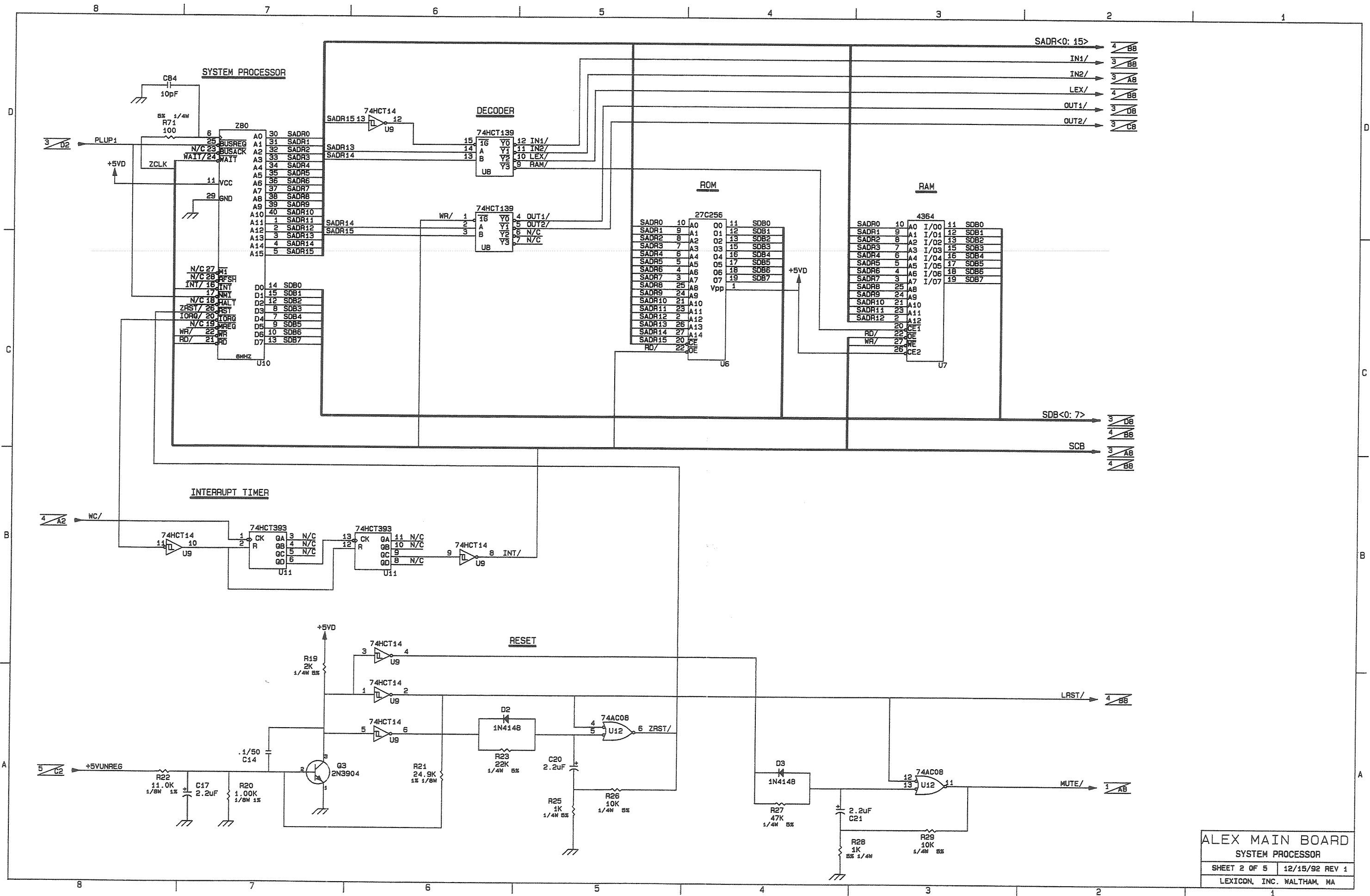
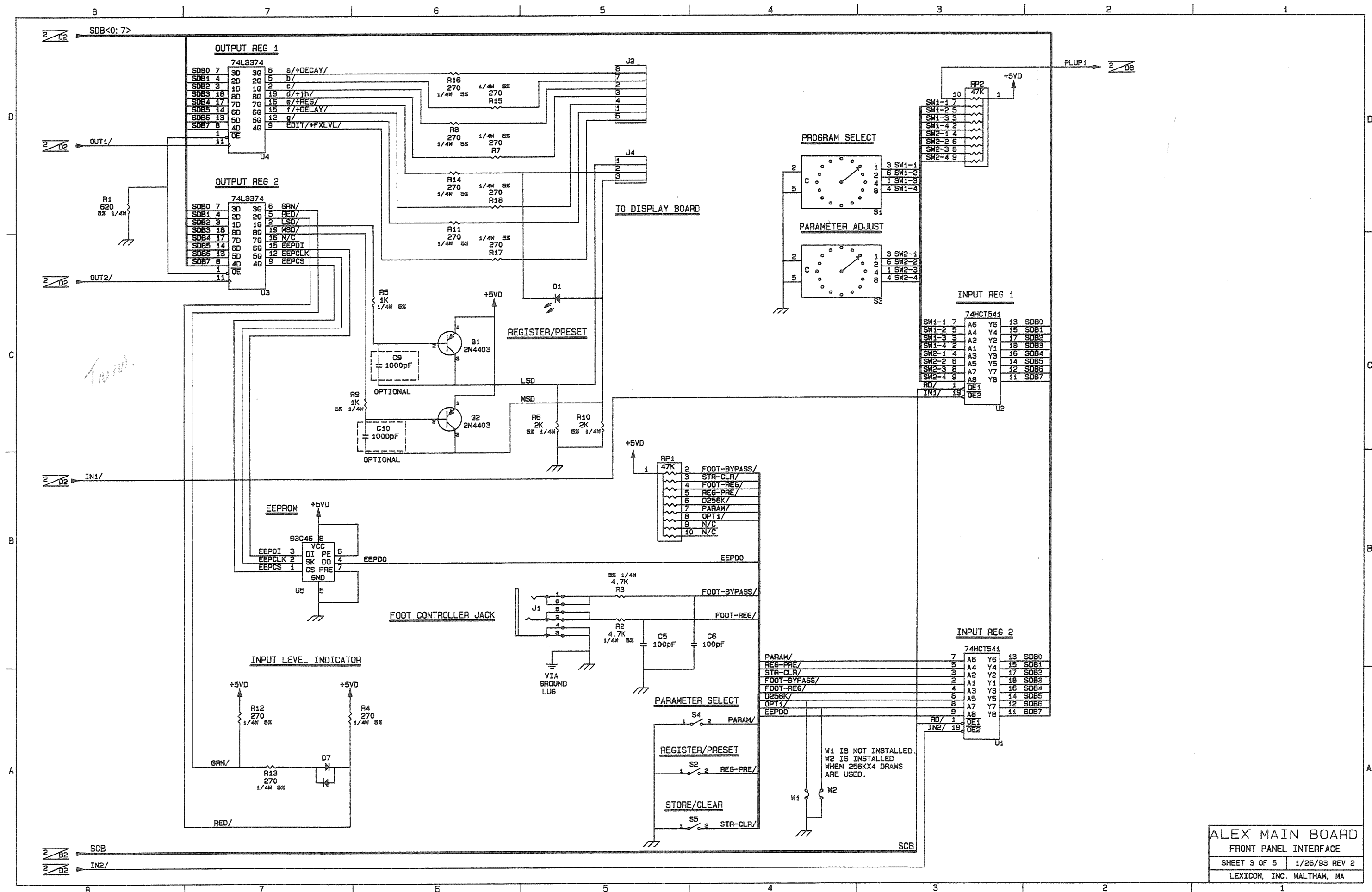


ALEX MAIN BOARD
 COMPONENT PLACEMENT
 SHEET 1 OF 1 | 12/28/92 REV 5
 LEXICON, INC. WALTHAM, MA

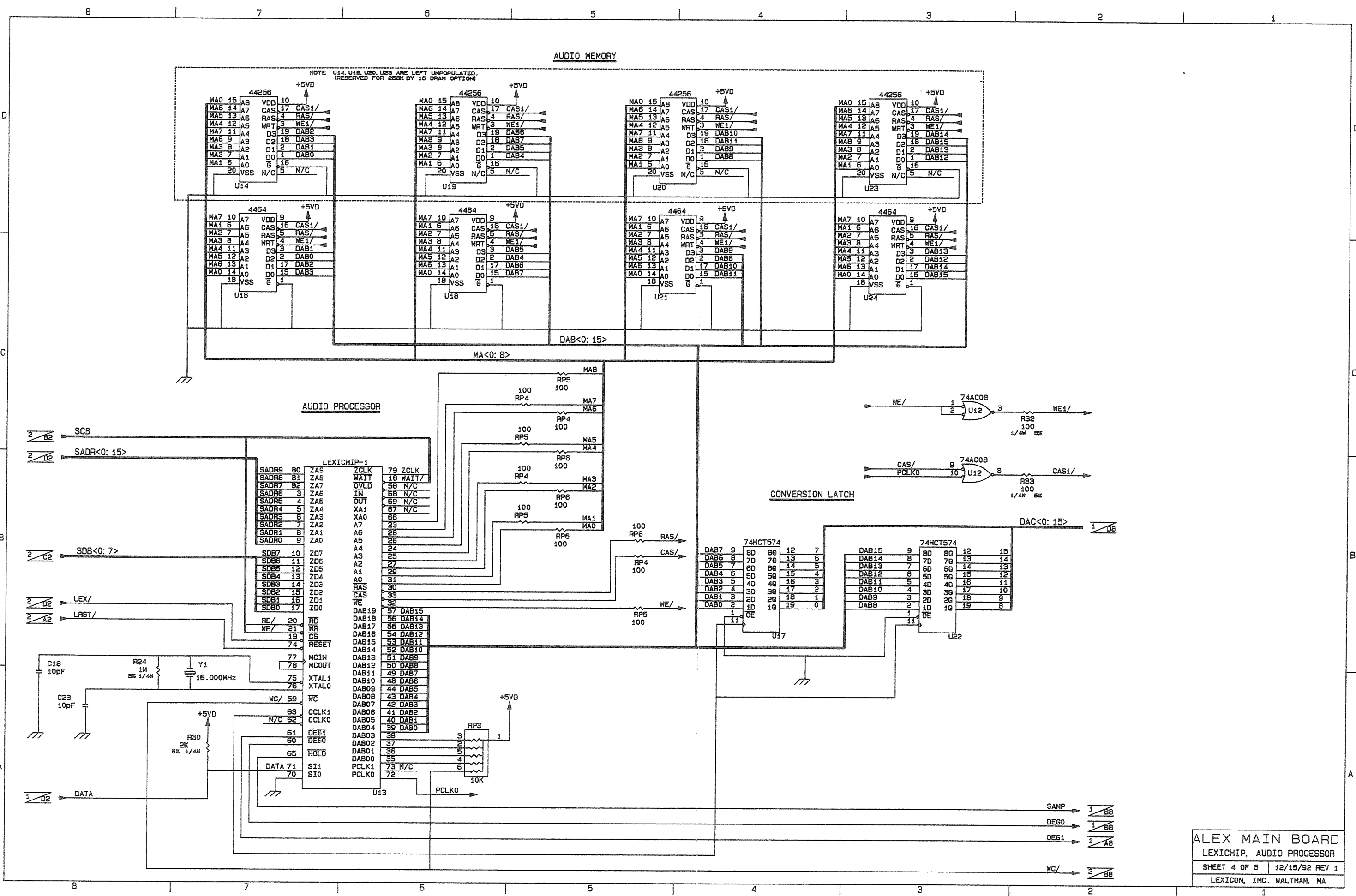


ALEX MAIN BOARD
 ANALOG AND CONVERTER
 SHEET 1 OF 5 | 1/26/93 REV 2
 LEXICON, INC. WALTHAM, MA

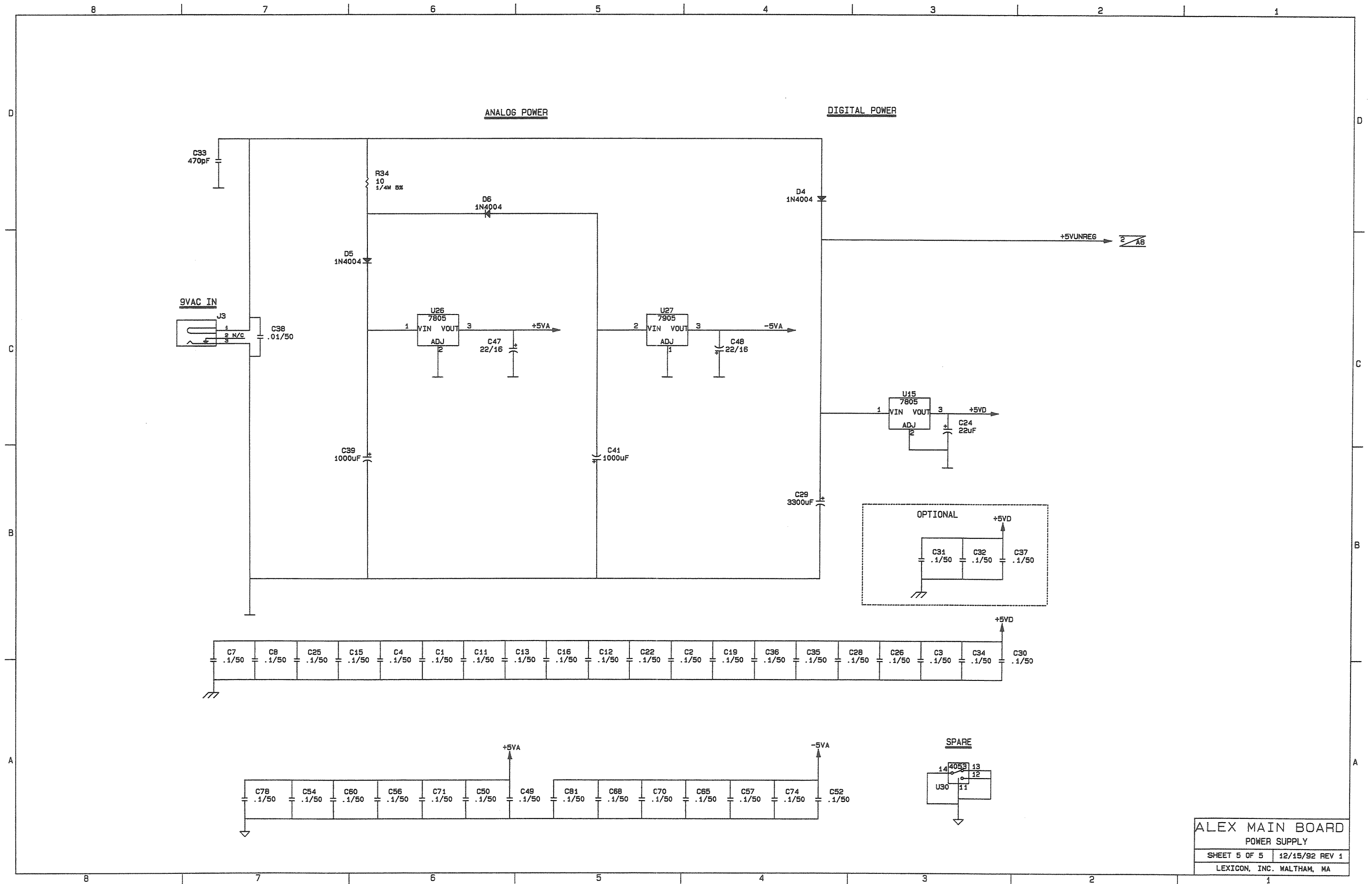




ALEX MAIN BOARD
FRONT PANEL INTERFACE
 SHEET 3 OF 5 | 1/26/93 REV 2
 LEXICON, INC. WALTHAM, MA



ALEX MAIN BOARD
 LEXICHIP, AUDIO PROCESSOR
 SHEET 4 OF 5 12/15/92 REV 1
 LEXICON, INC. WALTHAM, MA



ALEX MAIN BOARD
 POWER SUPPLY
 SHEET 5 OF 5 | 12/15/92 REV 1
 LEXICON, INC. WALTHAM, MA