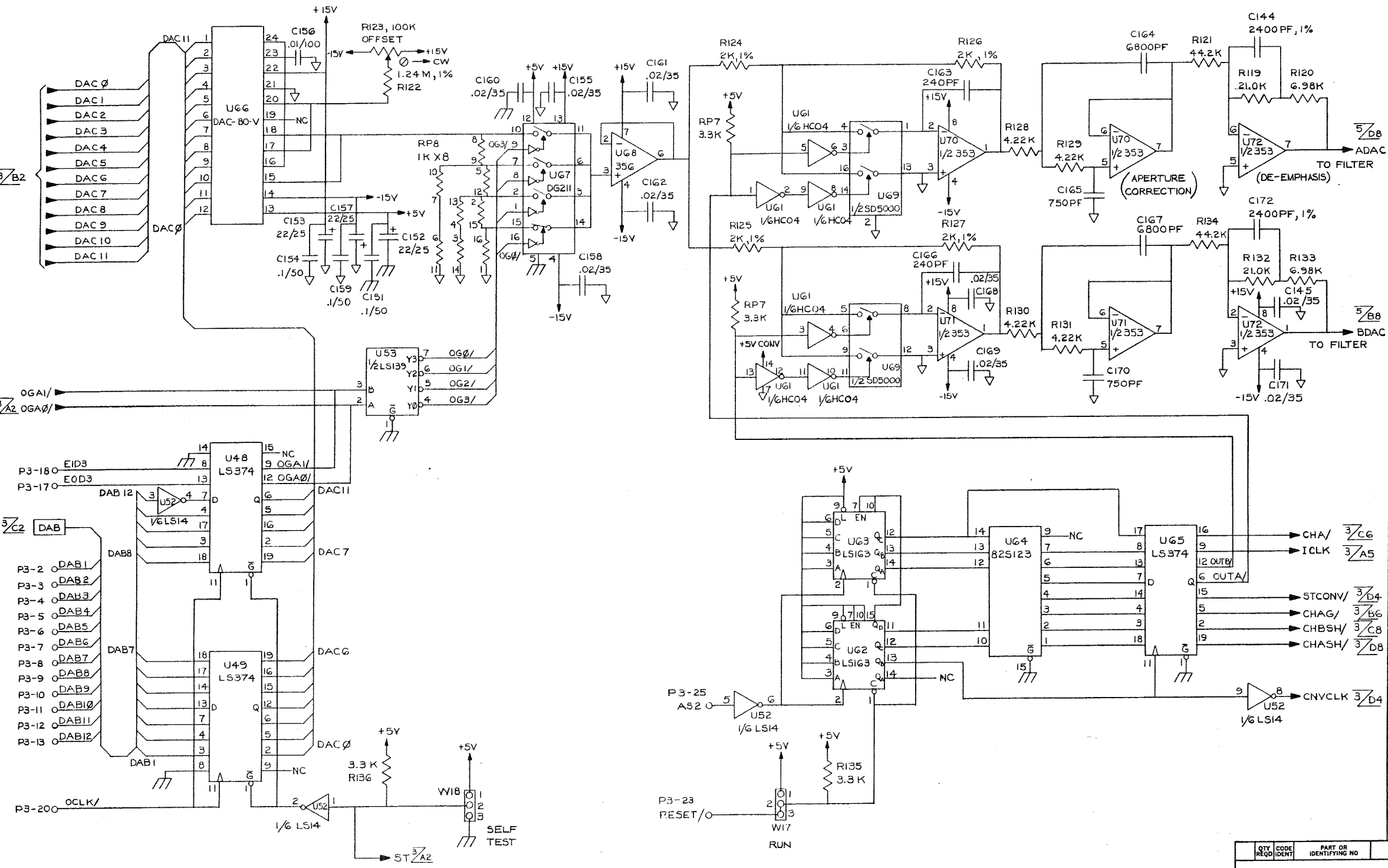


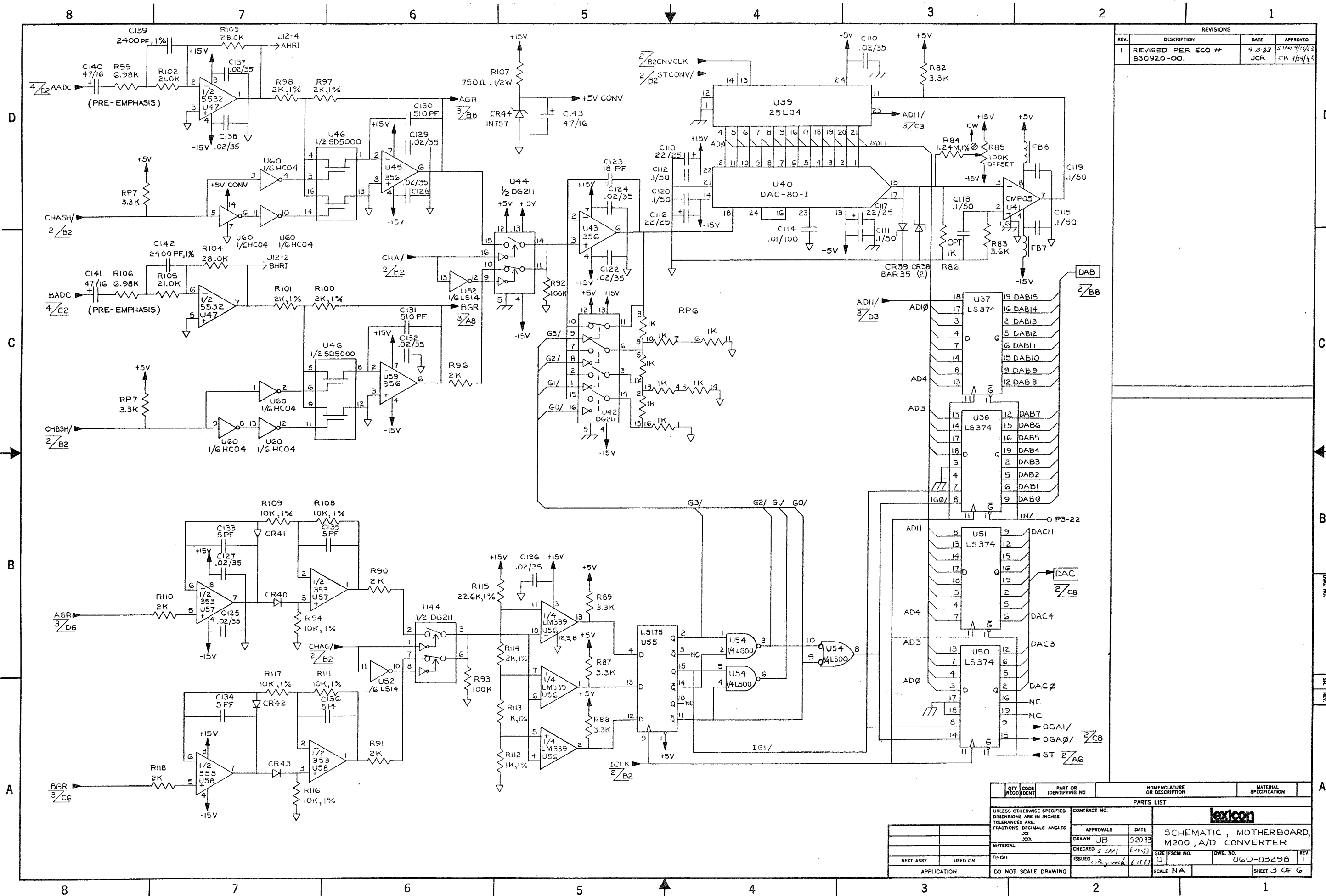
REVISIONS			
REV.	DESCRIPTION	DATE	APPROVED
1	REVISED PER ECO # 890920-00.	7-13-83	JCR

D
C
B
A



- NOTES
1. RESISTORS ARE 1/4W, 5%, UNLESS OTHERWISE INDICATED.
 2. CAPACITORS ARE IN UF/V, UNLESS OTHERWISE INDICATED.
 3. ON BOARD CONNECTIONS:
TO → FROM
 4. OFF BOARD CONNECTIONS:
TO → FROM
 5. ANALOG GROUND → CHASSIS GROUND
DIGITAL GROUND → GROUND
 6. $\frac{1}{2}$ A1 - DENOTES SHEET NUMBER AND INTERSECT COORDINATE.

QTY	CODE	PART OR IDENTIFYING NO	NOMENCLATURE OR DESCRIPTION	MATERIAL SPECIFICATION
PARTS LIST				
UNLESS OTHERWISE SPECIFIED DIMENSIONS ARE IN INCHES TOLERANCES ARE:		CONTRACT NO.		
FRACTIONS DECIMALS ANGLES		APPROVALS DATE		
XXX XXX		DRAWN JB 4-27-83		
MATERIAL		CHECKED S 1/1/83 6-11-83		
FINISH		ISSUED C 3/1/83 6-11-83		
NEXT ASSY USED ON		SIZE FSCM NO. DWG NO. 060-03298 REV 1		
APPLICATION		DO NOT SCALE DRAWING SCALE NA SHEET 2 OF 6		



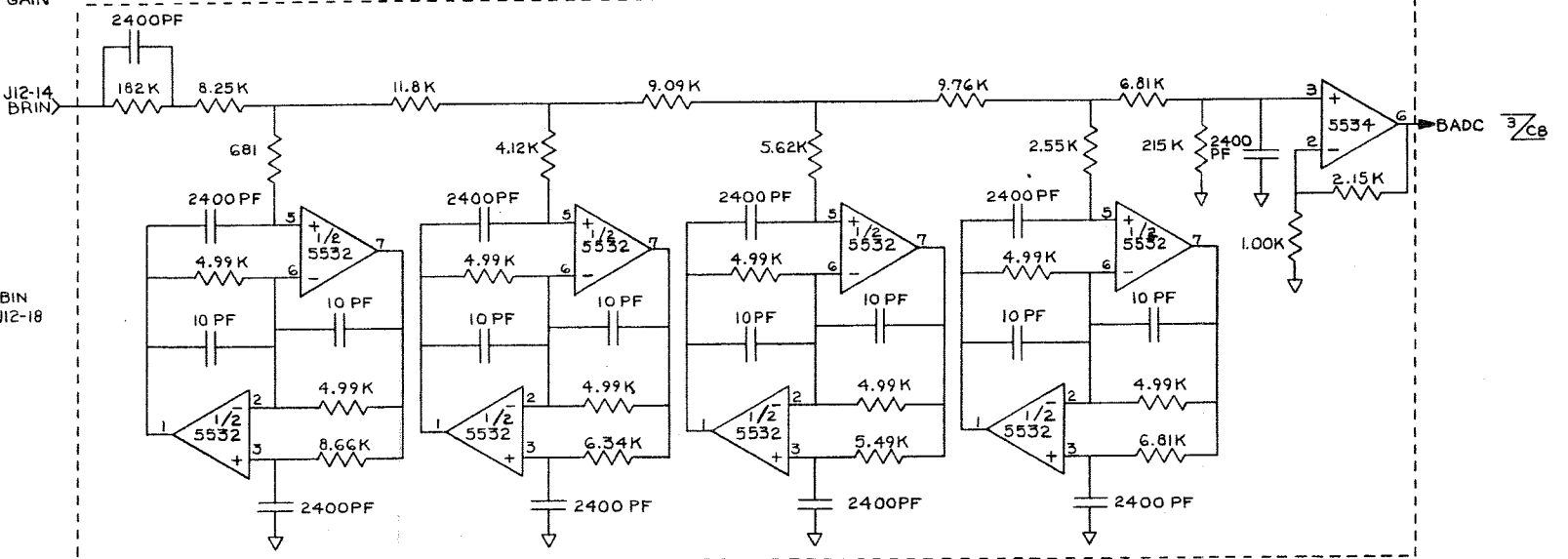
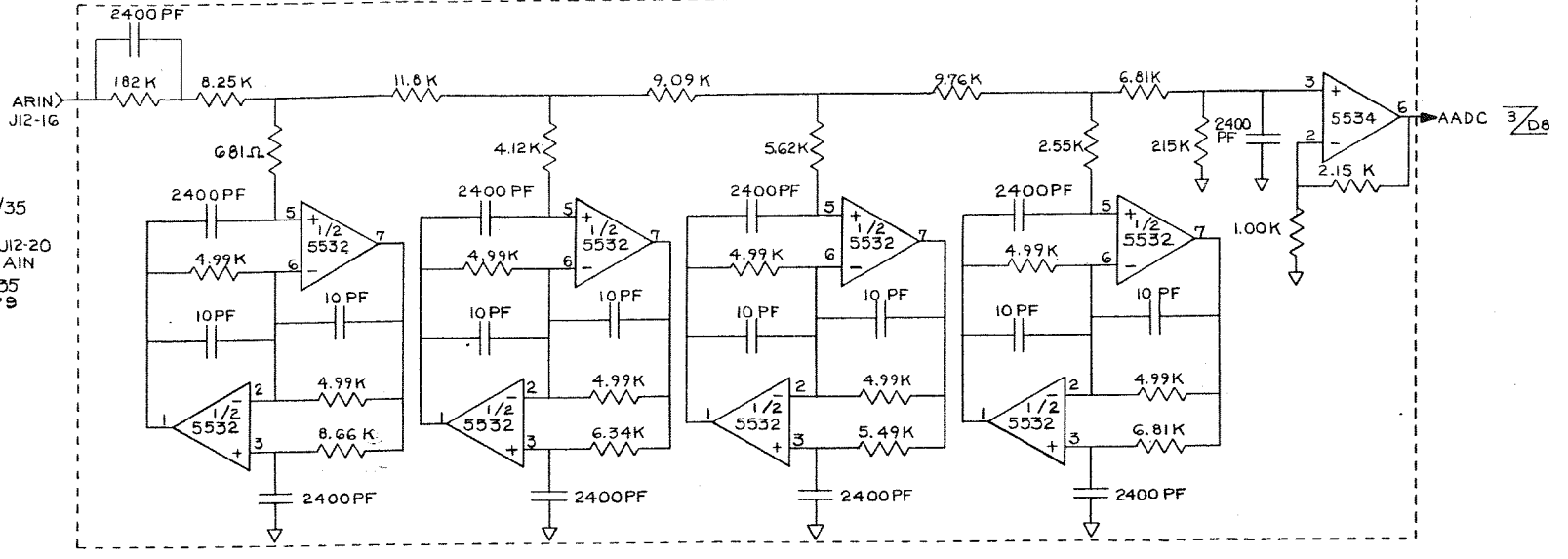
REVISIONS			
REV.	DESCRIPTION	DATE	APPROVED
1	REVISED PER ECO # B30920-00.	9.13.83	JCR

QTY	CODE	PART OR IDENTIFYING NO	NOMENCLATURE OR DESCRIPTION	MATERIAL SPECIFICATION
PARTS LIST				
UNLESS OTHERWISE SPECIFIED DIMENSIONS ARE IN INCHES TOLERANCES ARE:			CONTRACT NO.	
FRACTIONS	DECIMALS	ANGLES	APPROVALS	DATE
XX	.XX	XXX	JB	5-20-83
MATERIAL			CHECKED	DATE
FINISH			S LAAJ	6-10-83
NEXT ASSY			ISSUED	DATE
USED ON			6-13-83	
APPLICATION			DO NOT SCALE DRAWING	

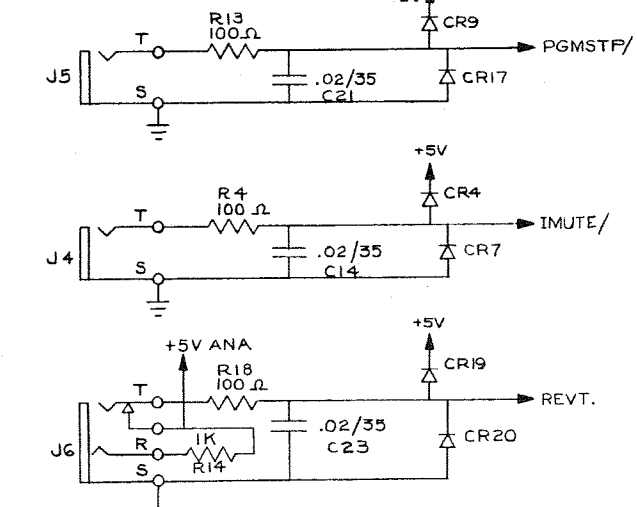
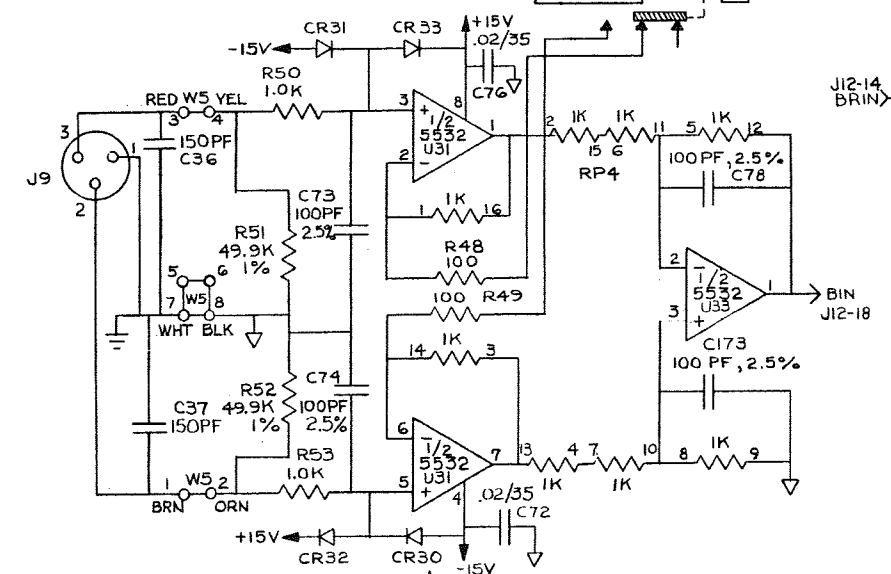
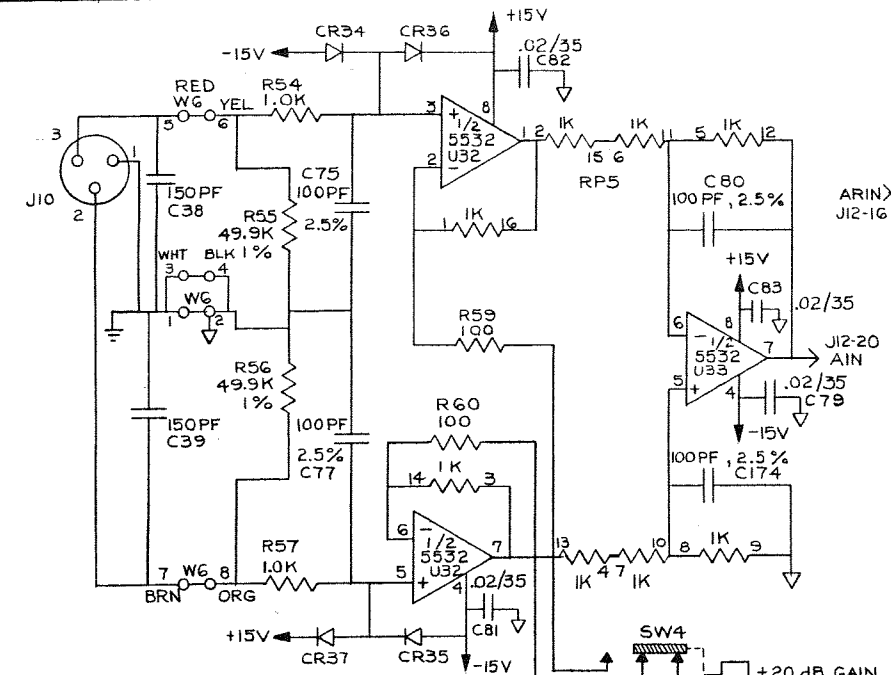
lexicon
 SCHEMATIC, MOTHERBOARD, M200, A/D CONVERTER
 SIZE FSCM NO. 060-03298
 DWG. NO. 060-03298
 REV. 1
 SCALE NA
 SHEET 3 OF 6

REVISIONS			
REV.	DESCRIPTION	DATE	APPROVED
1	REVISED PER ECO # 830920-00.	7-13-83	JCR

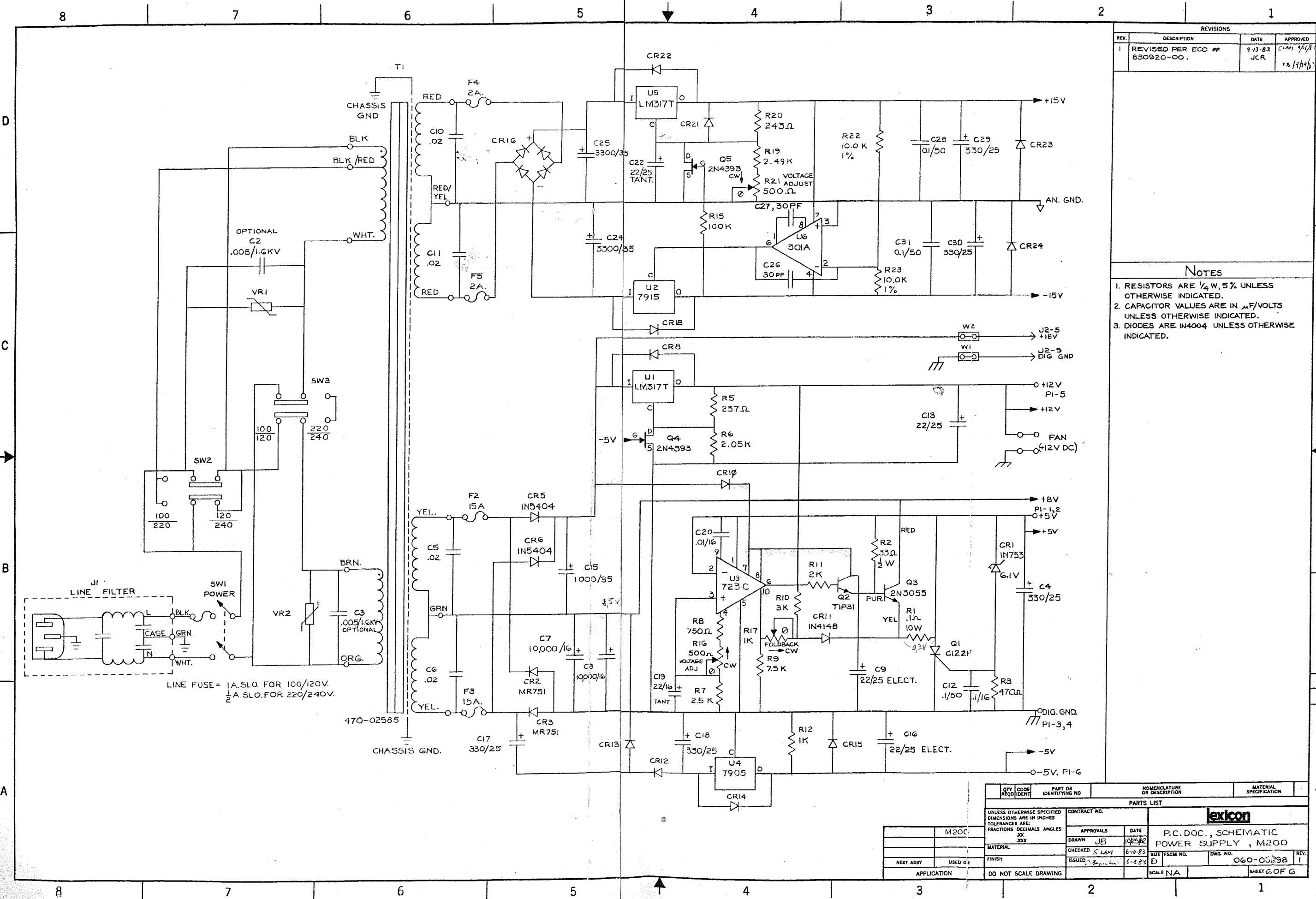
PB LEXICON P/N 023-03193 LP-1 INPUT FILTER BOARD A



P7 LEXICON P/N 023-03193 LP-1 INPUT FILTER BOARD B



QTY	CODE	PART OR IDENTIFYING NO	NOMENCLATURE OR DESCRIPTION	MATERIAL SPECIFICATION
			PARTS LIST	
UNLESS OTHERWISE SPECIFIED DIMENSIONS ARE IN INCHES TOLERANCES ARE:		CONTRACT NO. lexicon		
FRACTIONS DECIMALS ANGLES		APPROVALS	DATE	P.C. DOC. , SCHEMATIC ,
XXX XXX		DRAWN JB	8-25-82	ANALOG INPUT , M200
MATERIAL		CHECKED S 4AM	6-10-83	SIZE FROM NO.
NEXT ASSY USED ON		ISSUED C. B. 6-11-83	DWG. NO. 060-03298	REV. 1
FINISH		APPLICATION	SCALE NA	SHEET 4 OF 6
DO NOT SCALE DRAWING				



REVISIONS			
REV.	DESCRIPTION	DATE	APPROVED
1	REVISED PER ECO # 830920-00.	1-13-83 JCR	<i>[Signature]</i>

- NOTES**
1. RESISTORS ARE 1/4 W, 5% UNLESS OTHERWISE INDICATED.
 2. CAPACITOR VALUES ARE IN μF/VOLTS UNLESS OTHERWISE INDICATED.
 3. DIODES ARE IN4004 UNLESS OTHERWISE INDICATED.

LINE FUSE = 1A. SLO. FOR 100/120V.
 1/2 A. SLO. FOR 220/240V.

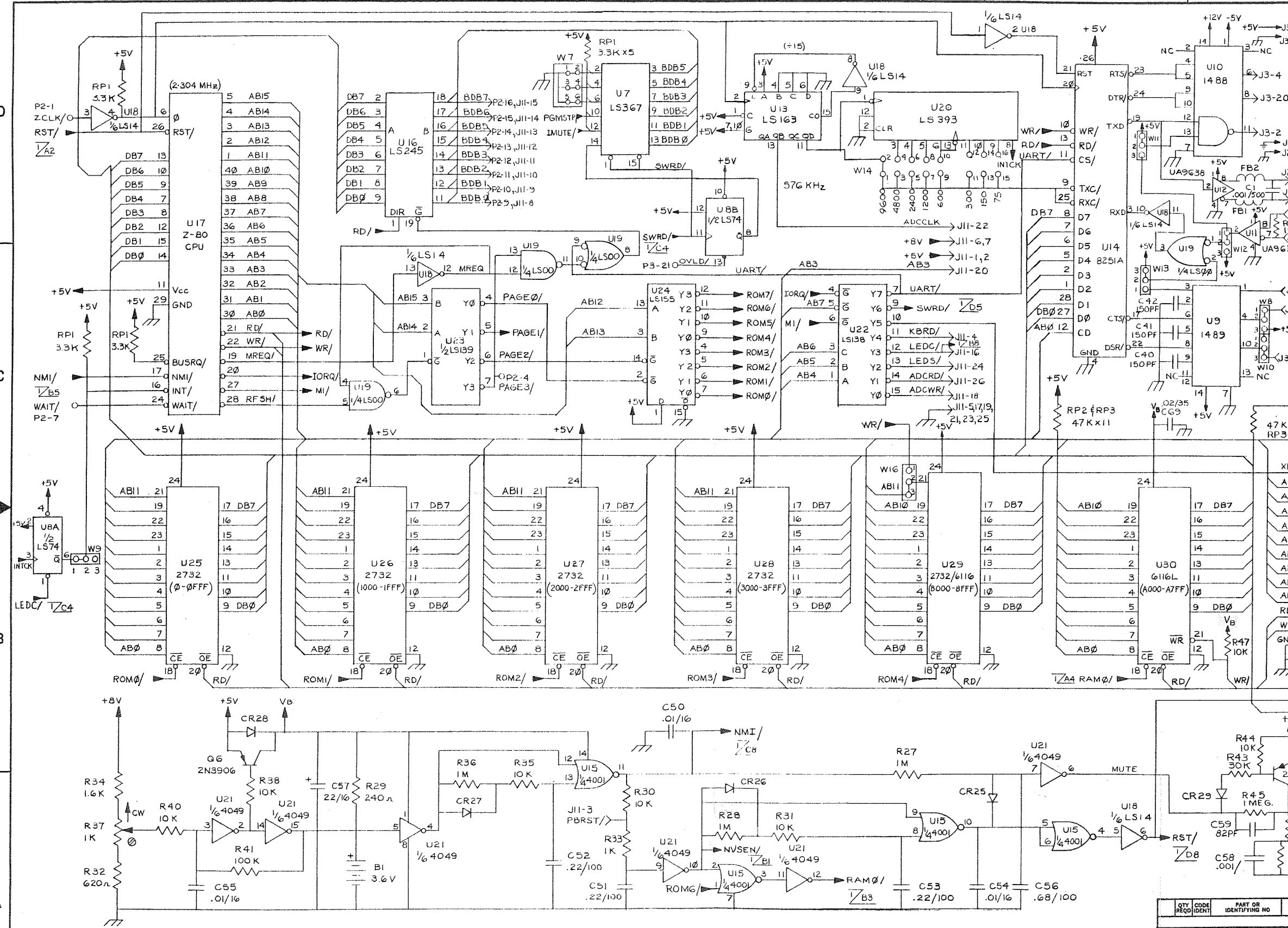
QTY	CODE	PART OR IDENTIFYING NO	NOMENCLATURE OR DESCRIPTION	MATERIAL SPECIFICATION
PARTS LIST				
UNLESS OTHERWISE SPECIFIED DIMENSIONS ARE IN INCHES TOLERANCES ARE: FRACTIONS DECIMALS ANGLES XX .XXX				
M200		CONTRACT NO. lexicon		
APPROVALS		DATE 10/25/82		
DRAWN JB		P.C. DOC., SCHEMATIC POWER SUPPLY, M200		
CHECKED S LAM		6-10-83		
FINISH		ISSUED 6-8-83		
NEXT ASSY USED ON		SIZE FSCM NO. DWG NO. 060-00298		
APPLICATION DO NOT SCALE DRAWING		SCALE NA SHEET 6 OF 6		

REVISIONS			
REV.	DESCRIPTION	DATE	APPROVED
1	REVISED PER ECO # B30920-00.	9-13-82	JCR

NOTES

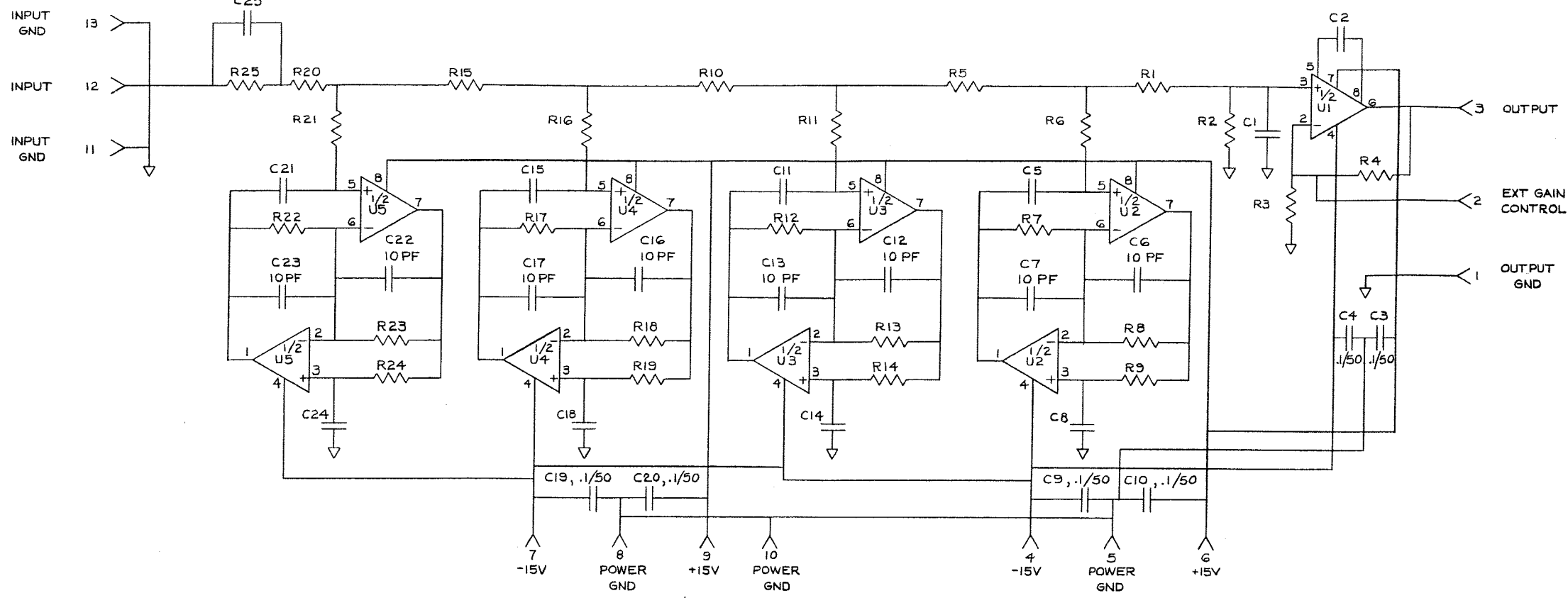
- RESISTORS ARE 1/4W, 5% UNLESS OTHERWISE INDICATED.
- CAPACITOR VALUES ARE IN $\mu F/V$ UNLESS OTHERWISE INDICATED.
- ON BOARD CONNECTIONS:
TO → FROM
- DIODES ARE IN4148 UNLESS OTHERWISE INDICATED.
- OFF BOARD CONNECTIONS:
TO → FROM
- ALL BYPASS CAPACITORS ARE .02/35 UNLESS OTHERWISE INDICATED. BYPASS CAPACITORS FOR +5V ARE C43-49, 60-69, 108-110, 146-150.

CONNECTION	OP4-1	OP4-2	OP4-3	OP4-4	OP4-5	OP4-6	OP4-7	OP4-8	OP4-9	OP4-10	OP4-11	OP4-12	OP4-13	OP4-14	OP4-15	OP4-16	OP4-17	OP4-18	OP4-19	OP4-20	OP4-21	OP4-22	OP4-23	OP4-24	OP4-25	OP4-26	OP4-27	OP4-28	OP4-29	OP4-30	OP4-31,32																															
AB13	OP4-1	AB12	OP4-2	AB11	OP4-3	AB10	OP4-4	AB9	OP4-5	AB8	OP4-6	AB7	OP4-7	AB6	OP4-8	AB5	OP4-9	AB4	OP4-10	AB3	OP4-11	AB2	OP4-12	AB1	OP4-13	AB0	OP4-14	ROM7/	OP4-15	ROM5/	OP4-16	PAGE1/	OP4-17	PAGE3/	OP4-18	OP2-4	OP4-19	OP2-6	OP4-20	OP2-8	OP4-21	OP2-2	OP4-22	OP2-26	OP4-23	OP2-2	OP4-24	OP2-26	OP4-25	OP2-26	OP4-26	OP2-26	OP4-27	OP2-26	OP4-28	OP2-26	OP4-29	OP2-26	OP4-30	OP2-26	OP4-31,32	OP2-26



QTY	CODE	PART OR IDENTIFYING NO	NOMENCLATURE OR DESCRIPTION	MATERIAL SPECIFICATION
PARTS LIST				
UNLESS OTHERWISE SPECIFIED DIMENSIONS ARE IN INCHES. FRACTIONS DECIMALS ANGLES 32 3000				
M200		CONTRACT NO.		
APPROVALS		DATE		
DRAWN JCR		7-28-82		
CHECKED S.A.A.		6-10-82		
ISSUED C.F.		6-18-82		
FINISH		SIZE D		
NEXT ASSY		USED ON		
APPLICATION		DO NOT SCALE DRAWING		
SCALE NA		SHEET 1 OF 6		

8 7 6 5 4 3 2 1



REVISIONS			
REV.	DESCRIPTION	DATE	APPROVED
1	M1300 INPUT R4 W2.15K IS NOW 4.22 K	6-29-83	P.T. LA 6/30/83
2	REVISED PER ECO # B30920-00.	9-3-83	SIADY 9/1/83 JCR
3	REVISED PER ECO # 831028-01.	11/3/83	MAH 11/2/83 JCR

- NOTES
- UNLESS OTHERWISE INDICATED, RESISTORS ARE 1%, 1/8 W.
 - UNLESS OTHERWISE INDICATED, CAPACITOR VALUES ARE UF/V.
 - DIGITAL GROUND ANALOG GROUND CHASSIS GROUND
 - PLUG CONNECTION RECEPTICLE CONNECTION
 - COMPONENT VALUES ARE LISTED IN COMPONENT VALUE TABLE FOR EACH APPROPRIATE USE IN A PRODUCT, UNLESS ALREADY SPECIFIED IN SCHEMATIC.

COMPONENT VALUE TABLE				
REFERENCE DESIGNATION	M200 INPUT	M200 OUTPUT	M1300 INPUT	M1300 OUTPUT
C5, C8, C11, C14, C15, C18, C21, C24	2400PF, 2 1/2%	2400PF, 2 1/2%	1200PF, 2 1/2%	1200PF, 2 1/2%
C2	OPTIONAL	OPTIONAL	OPTIONAL	OPTIONAL
R1	6.81K	7.32K	6.81K	7.32K
R2	215K	182K	215K	182K
R3	1.00K	1.00K	1.00K	1.00K
R4	2.15K	3.24K	4.22K	2.15K
R5	9.76K	11.0K	9.76K	11.0K
R6	2.55K	1.58K	2.55K	1.58K
R7, R8, R12, R13, R17, R18, R22, R23	4.99K	4.99K	4.99K	4.99K
R9	6.81K	7.32K	6.81K	7.32K
R10	9.09K	10.5K	9.09K	10.5K
R11	5.62K	3.40K	5.62K	3.40K
R14	5.49K	6.49K	5.49K	6.49K
R15	11.8K	12.1K	11.8K	12.1K
R16	4.12K	2.55K	4.12K	2.55K
R19	6.34K	7.15K	6.34K	7.15K
R20	8.25K	8.25K	8.25K	8.25K
R21	681Ω	432Ω	681Ω	432Ω
R24	8.66K	8.45K	8.66K	8.45K
R25	182K	133K	182K	133K
U1	5534	5534	5534	5534
U2, U3, U4, U5	5532	5532	5532	5532
C1, C25	2400PF, 1%	2400PF, 1%	1200PF, 1%	1200PF, 1%

QTY REQD IDENT	CODE	PART OR IDENTIFYING NO	NOMENCLATURE OR DESCRIPTION	MATERIAL SPECIFICATION
PARTS LIST				
UNLESS OTHERWISE SPECIFIED DIMENSIONS ARE IN INCHES TOLERANCES ARE FRACTIONS DECIMALS ANGLES			CONTRACT NO.	lexicon
M200			APPROVALS	DATE
M1300			DRAWN	3-4-83
MATERIAL			CHECKED	3-4-83
FINISH			ISSUED	3-4-83
NEXT ASSY USED ON			SIZE FSCM NO.	DWG NO. 060-03520
APPLICATION			DO NOT SCALE DRAWING	REV. 3
			SCALE NA	SHEET 1 OF 1

8 7 6 5 4 3 2 1