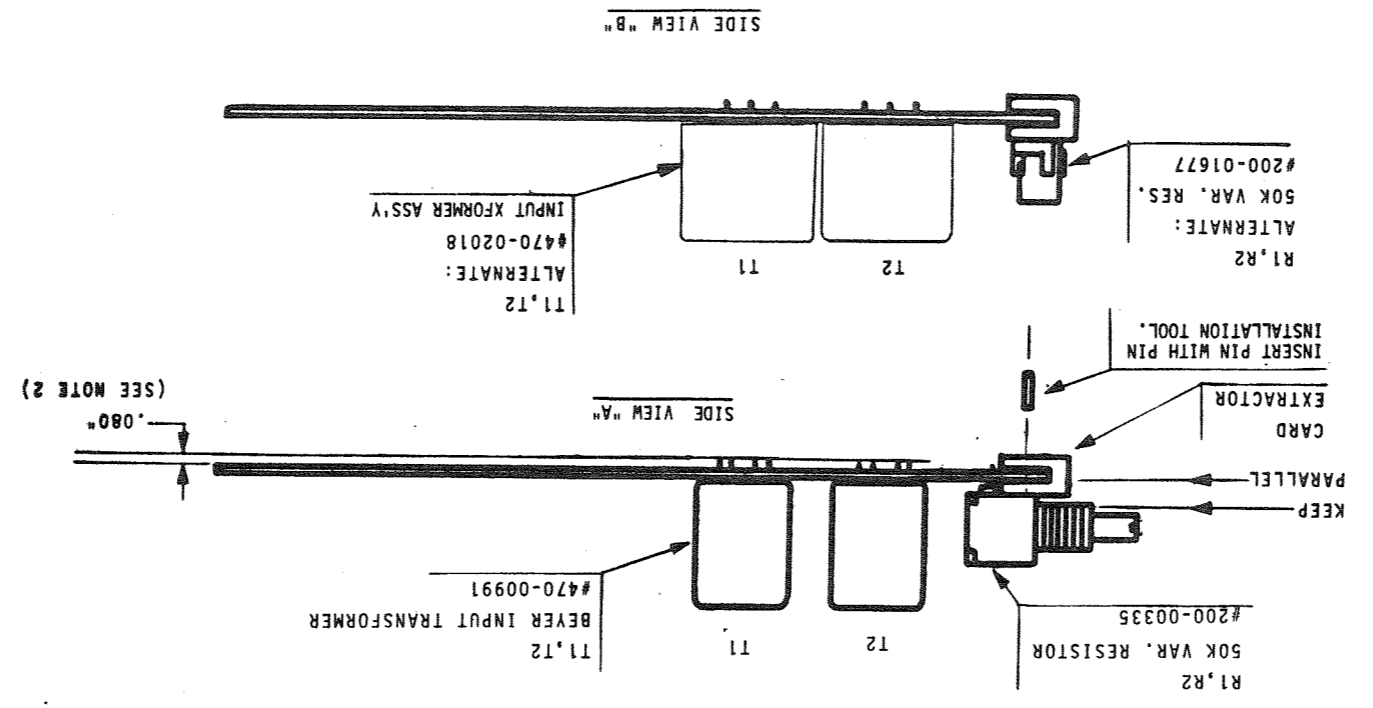
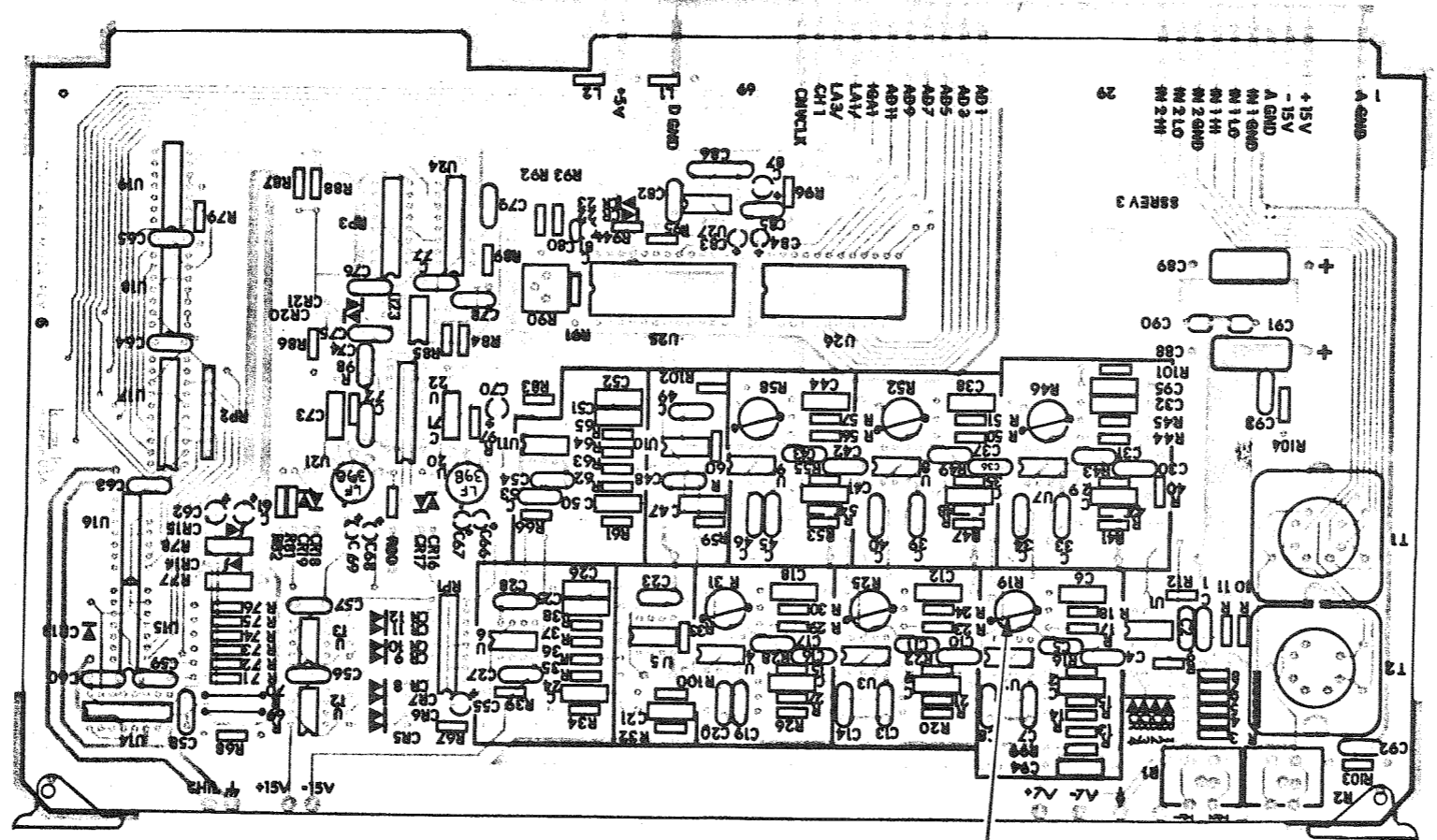


PROPRIETARY DATA
 The information contained in this document is proprietary to Lexicon, Inc. and is furnished solely for maintenance purposes. Reproduction, distribution or use for any other purpose is expressly prohibited. Document Control No. 7390



1 OF 1 SHEET	1	1:1	1
REV. 1	030-02733	SCALE	1:1
ISSUED	1/12/83	DATE	1/12/83
CHECKED	1/18/83	DATE	1/18/83
PC DOC, ASS'Y DWG., ANALOG INPUT BD., 224X		DATE	1/12/83

Lexicon			
1	2/2/83	JCR	224 - 01982.
INIT/APP.V.D.	DESCRIPTION	REV. DATE	REVISOR PER ECO NUMBER

- NOTES
1. REFER TO PARTS LIST NO. 020-02603.
 2. SOLDER TAIL PROTRUSION MAX. .080"
 3. SOCKET ALL IC POSITIONS EXCEPT U20 & U21.
 4. EITHER ONE OF THE ALTERNATE PARTS SHOWN IN SIDE VIEW "B" MAY BE SUBSTITUTED ON THIS BOARD.
 5. INSTALL LF398 SUCH THAT TAB ON IC CORRESPONDS WITH TAB ON SILKSCREEN. SEE DETAIL.
 6. TRIM POTS REPLACED BY JUMPERS: R19, 25, 31, 46, 52, 58.
 7. RESISTORS REPLACED BY JUMPERS: R69 & R70.
 8. COMPONENT HEIGHT MAX. .425" EXCEPT POTS AND TRANSFORMERS

REVISIONS

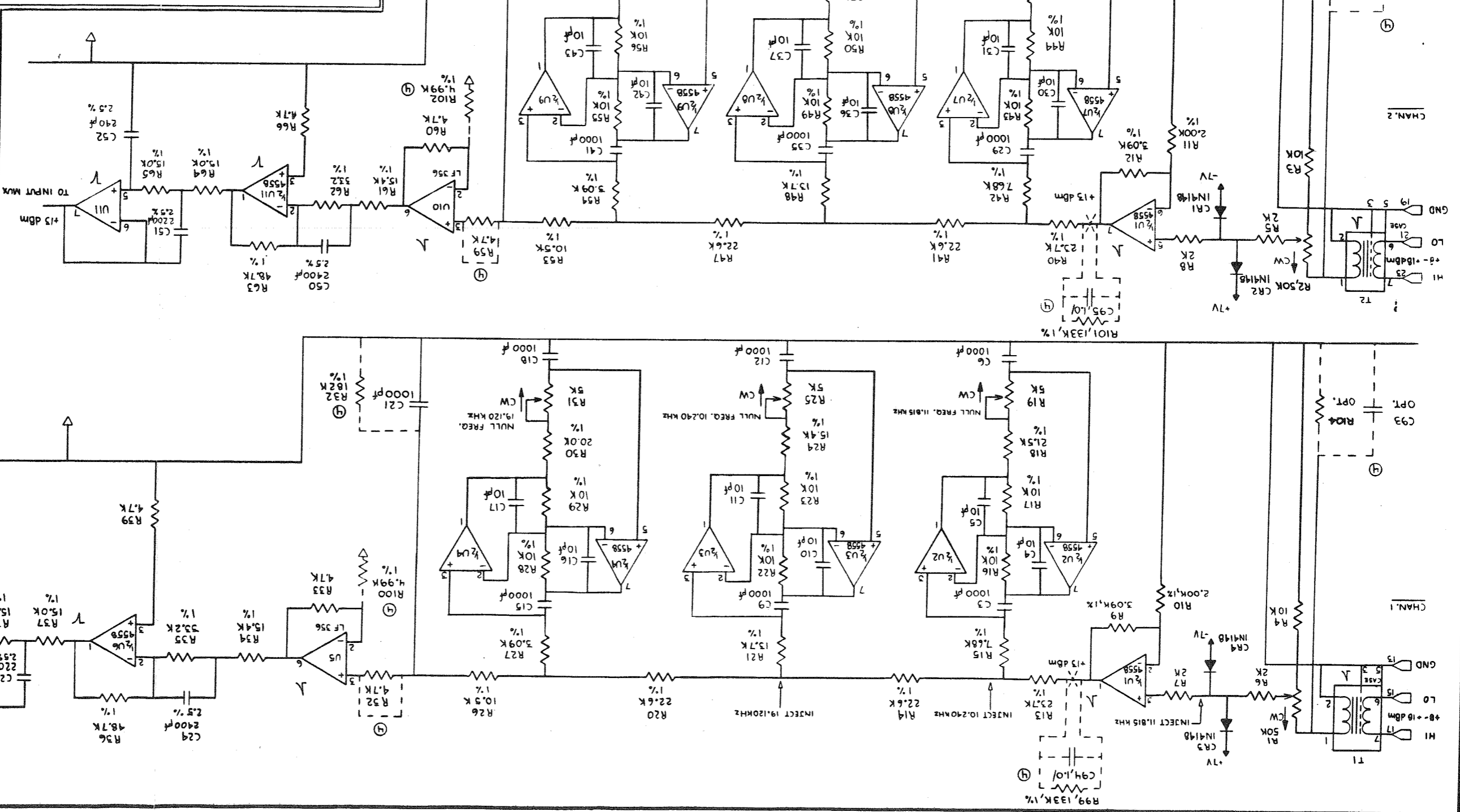
- 1,2 SEE SHEET 1
- 3, U5 AND U10 CHANGED FROM LM 741 TO LF351/553, CHANGED R9 AND R12 FROM 2K TO 3.09K, MISC. CHANGES AND CORRECTIONS 3-16-79
- 4, U5 U10 WERE LF351/553, NOW LF356 6-1-79
- 5, SEE SHEET 1
- 6, SEE SHEET 1
- 7, SEE SHEET 1
- 8, SEE SHEET 1
- 9, CHANGED REFERENCE DESIGNATORS, R97 TO R105 AND R98 TO R104 PER ECO # 224-01982.
- 10, H/908
- 11, 12-20-63

NOTES

1. ADJUST R19, R96 FOR A NULL AT 11.815 KHZ
- ADJUST R25, R52 FOR A NULL AT 10.240 KHZ
- ADJUST R31, R58 FOR A NULL AT 19.120 KHZ FOR 224X, NO ADJUSTMENT IS NECESSARY.
2. PRE-EMPHASIS:
 UP 2.6 dB @ 2 KHZ
 UP 8.2 dB @ 8 KHZ
3. .02 μF/16 BYPASS CAPS: C1, 2, 7, 8, 13, 14, 19, 20, 22, 23, 27, 28, 33, 34, 39, 40, 45, 46, 49, 53, 54

④ DOTTED LINES INDICATE MODIFICATIONS FOR REV. 5 BD.

$T, T' = TR/2BV3 \pm 2001081$



Document Control No. 7390
 Reproduction, distribution or use for any other purpose is expressly prohibited.

The information contained in this document is proprietary to Lexicon, Inc. and is furnished solely for maintenance purposes.

PROPRIETARY DATA