

REV. 0	SIZE C	030-02735	SHEET 1 OF 1
ISSUED 12/1/79	SCALE 1:1	PC DOC. ASSY DWG.	ARU BD., 224X
CHECKED 11/29/81	DATE 11/29/81	APPROVALS	DATE

Lexicon

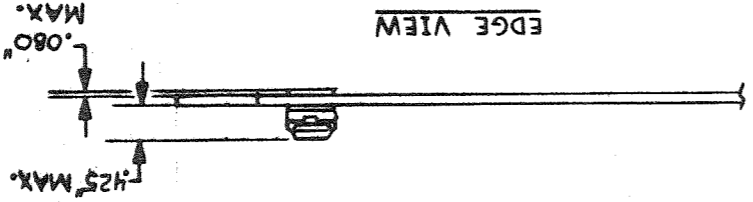
REV.	DATE	DESCRIPTION	INIT/APP.V.D.
------	------	-------------	---------------

Document Control No. 1290
 Reproduction, distribution or use for any other purpose is expressly prohibited.
 The information contained in this document is proprietary to Lexicon, Inc. and is furnished solely for maintenance purposes.

PROPRIETARY DATA

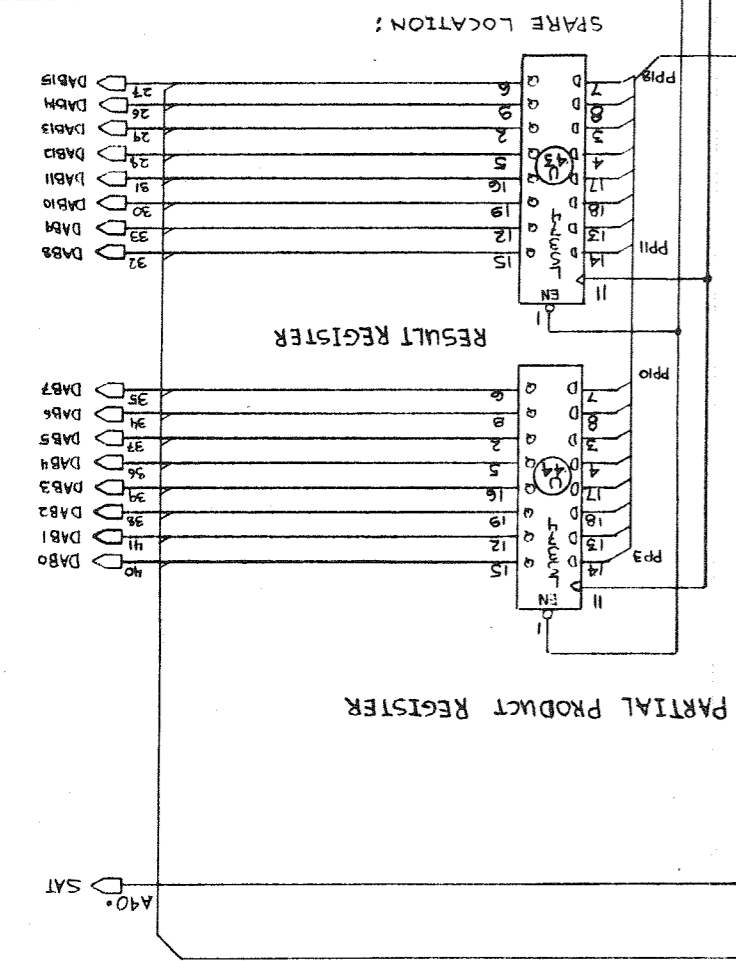
1. REFER TO PARTS LIST NO. 020-02601
2. COMPONENT HEIGHT MAX. .425"
3. SOLDER TAIL PROTRUSION MAX. .060"
4. SPARE LOCATIONS: U1 & C33.
5. ALL RESISTORS IN Q.
6. ALL CAPACITORS IN W UNLESS OTHERWISE SPECIFIED.
7. SOCKET ALL IC POSITIONS EXCEPT U1.

NOTES



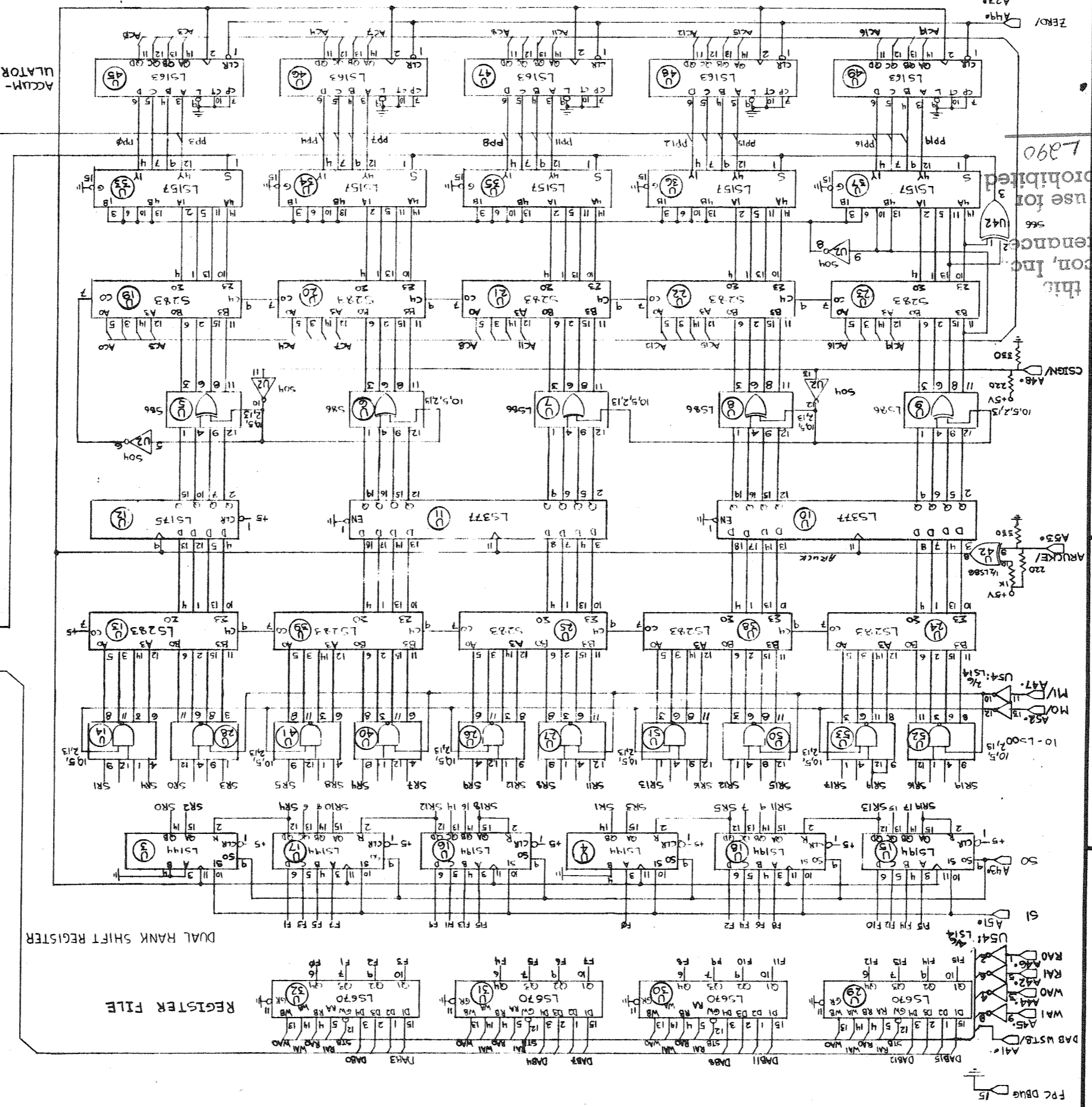
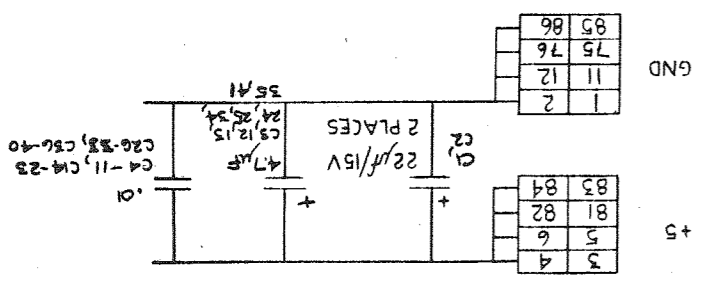
LEXICON
 COMPUTER DRAFTING 030-01347 REV NO. 2
 02/10/79 COMPONENT SIDE

060-01318 SHEET 1 OF 1
 ARU - MODEL 224
 NA
 7-11-78
 7-26-79
 R.KAO
 EXICON INC, WALTHAM MA 02154



FOR 224X VERSION ONLY

REF.	PART	U13, U24, U25, U38, U39	U10, U11, U43, U44	U12	U7, U9	U33, U34, U35, U36, U37	U45, U46, U47, U48, U49	U54
	74S283		74S374	74S175	74S86	74S157	74S163	74S04



REV. 3 9-10-81 ADD 224-H INFO. AMB/

PROPRIETARY DATA
 The information contained in this document is proprietary to Lexicon, Inc. and is furnished solely for maintenance purposes.
 any other purpose is expressly prohibited.
 Document Control No. L290