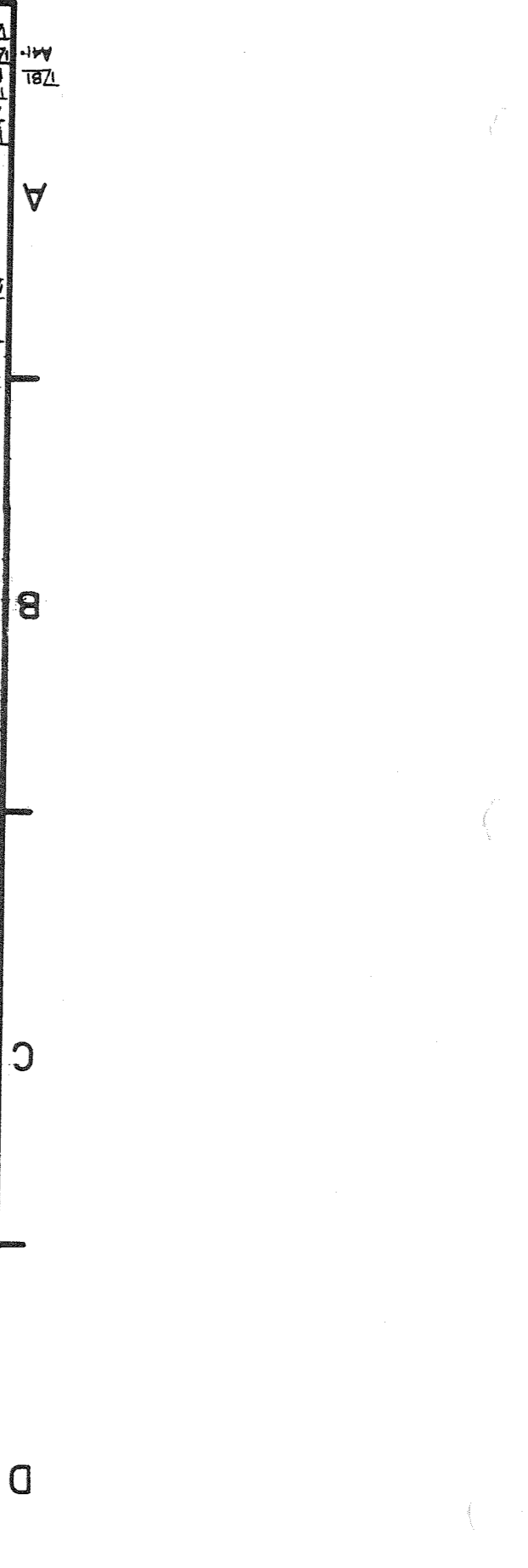
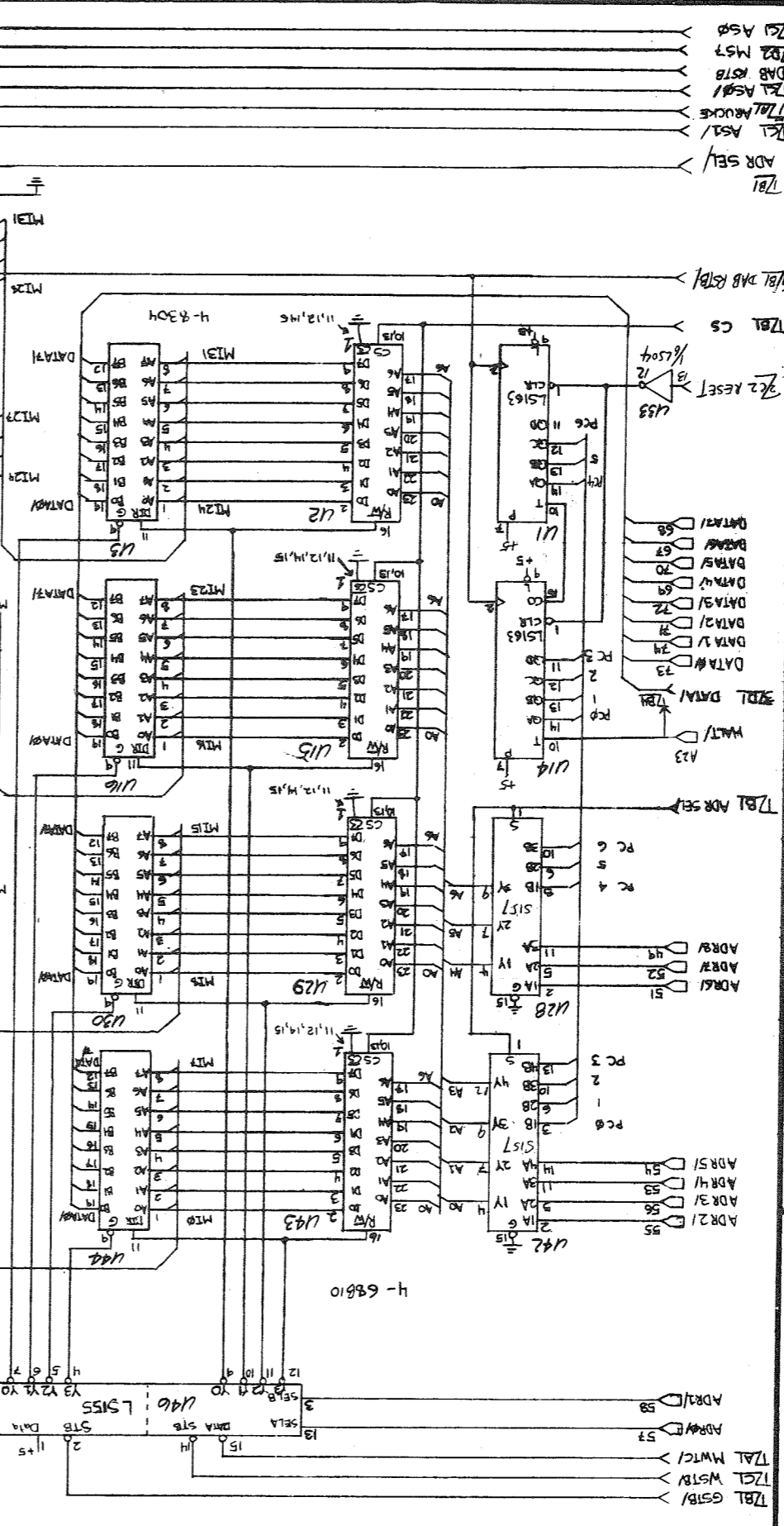
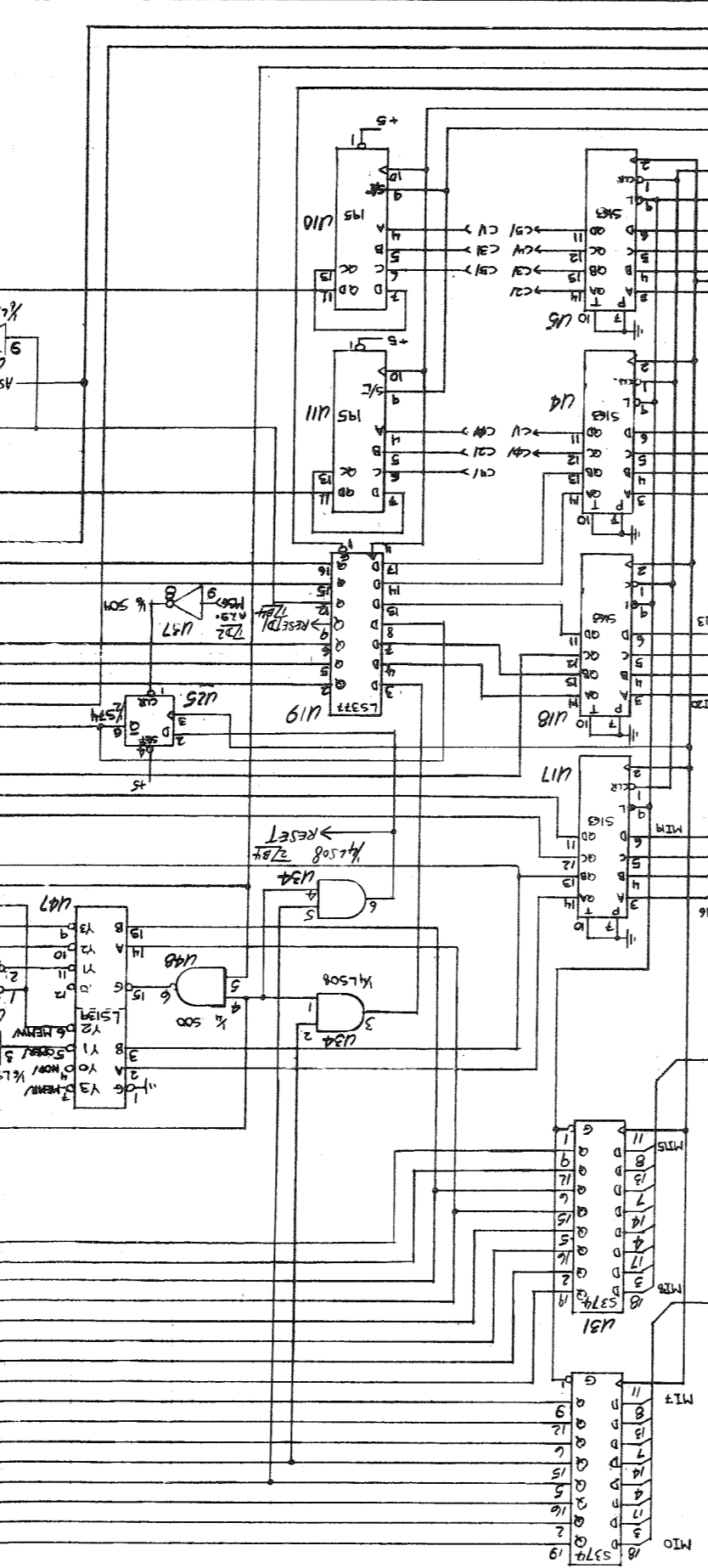
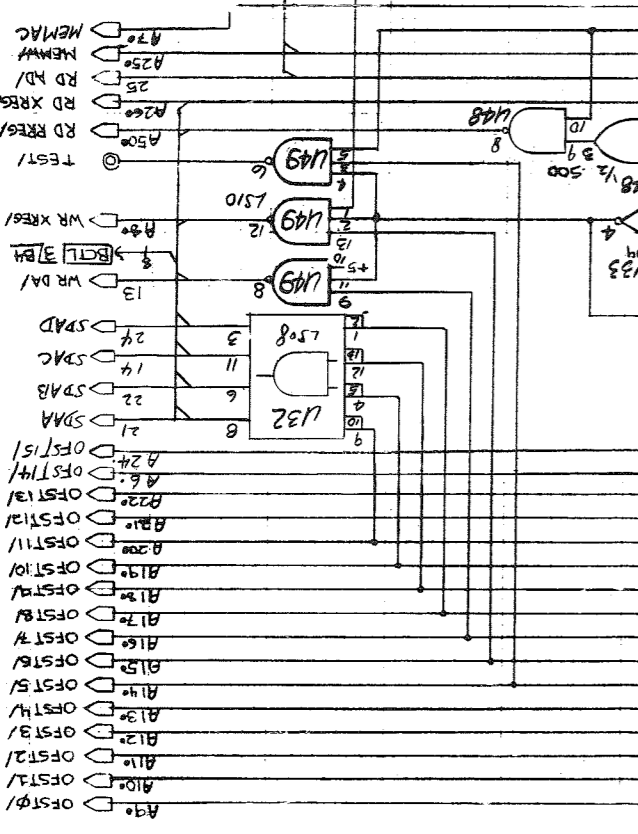
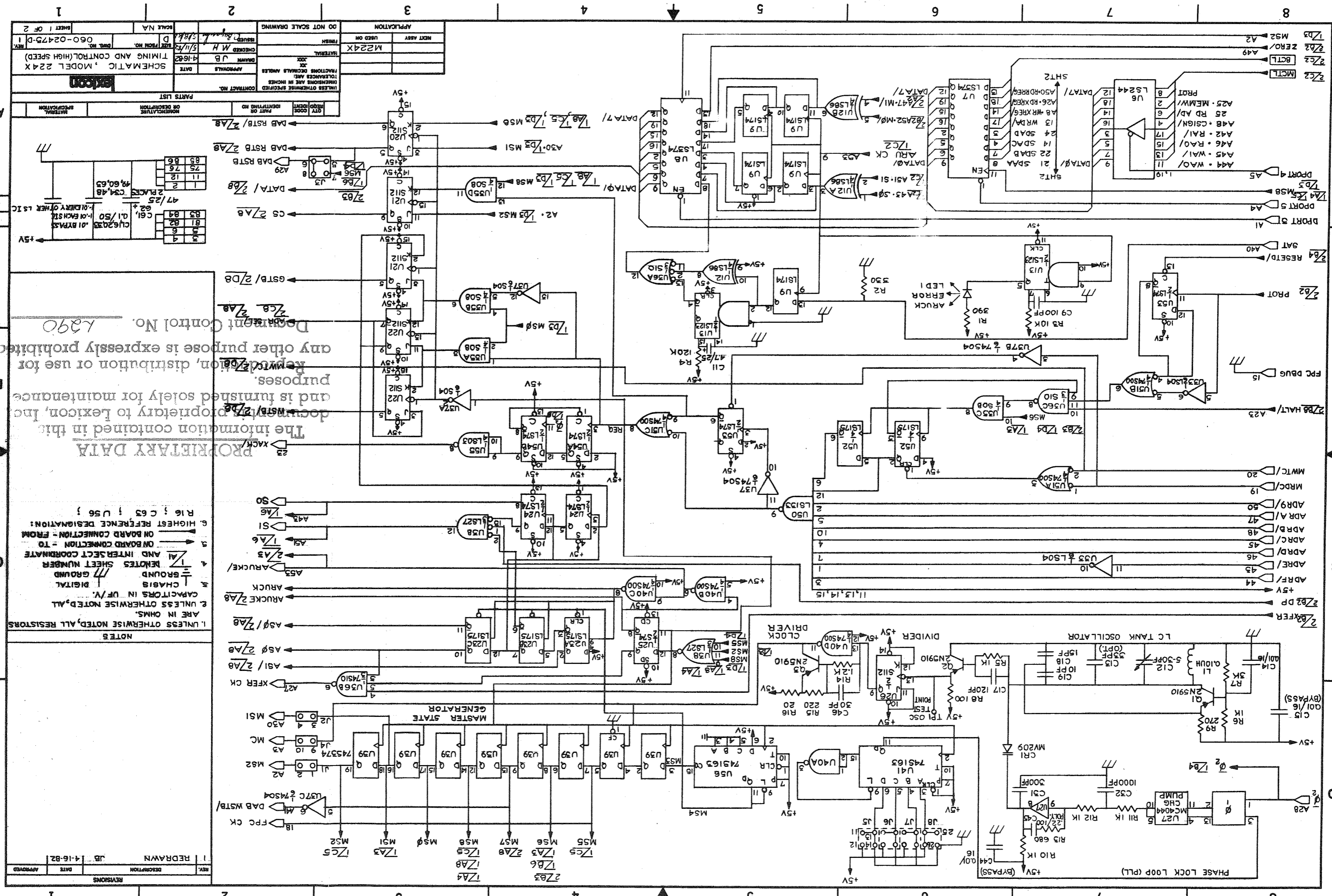


PROPRIETARY DATA
 The information contained in this document is proprietary to Exicon, Inc. and is furnished solely for your purposes. Reproduction, distribution or use for any other purpose is expressly prohibited.

Document Control No. 1/33





REV.	DESCRIPTION	DATE	APPROVED
1	REDRAWN	4-16-82	J.B.

REV.	DESCRIPTION	DATE	APPROVED
1	REDRAWN	4-16-82	J.B.

REV.	DESCRIPTION	DATE	APPROVED
1	REDRAWN	4-16-82	J.B.

REV.	DESCRIPTION	DATE	APPROVED
1	REDRAWN	4-16-82	J.B.

REV.	DESCRIPTION	DATE	APPROVED
1	REDRAWN	4-16-82	J.B.

REV.	DESCRIPTION	DATE	APPROVED
1	REDRAWN	4-16-82	J.B.

REV.	DESCRIPTION	DATE	APPROVED
1	REDRAWN	4-16-82	J.B.

1

2

3

4

5

6

7

8

1

2

3

4

5

6

7

8

1

2

3

4

5

6

7

8

1

2

3

4

5

6

7

8

1

2

3

4

5

6

7

8

1

2

3

4

5

6

7

8

1

2

3

4

5

6

7

8

1

2

3

4

5

6

7

8

1

2

3

4

5

6

7

8

1

2

3

4

5

6

7

8

1

2

3

4

5

6

7

8

1

2

3

4

5

6

7

8

1

2

3

4

5

6

7

8

1

2

3

4

5

6

7

8

1

2

3

4

5

6

7

8

1

2

3

4

5

6

7

8

1

2

3

4

5

6

7

8

1

2

3

4

5

6

7

8

1

2

3

4

5

6

7

8

1

2

3

4

5

6

7

8

1

2

3

4

5

6

7

8

1

2

3

4

5

6

7

8

1

2

3

4

5

6

7

8

1

2

3

4

5

6

7

8

1

2

3

4

5

6

7

8

1

2

3

4

5

6

7

8

1

2

3

4

5

6

7

8

1

2

3

4

5

6

7

8

1

2

3

4

5

6

7

8

1

2

3

4

5

6

7

8

1

2

3

4

5

6

7

8

1

2

3

4

5

6

7

8

1

2

3

4

5

6

7

8

1

2

3

4

5

6

7

8

1

2

3

4

5

6

7

8

1

2

3

4

5

6

7

8

1

2

3

4

5

6

7

8

1

2

3

4

5

6

7

8

1

2

3

4

5

6

7

8

1

2

3

4

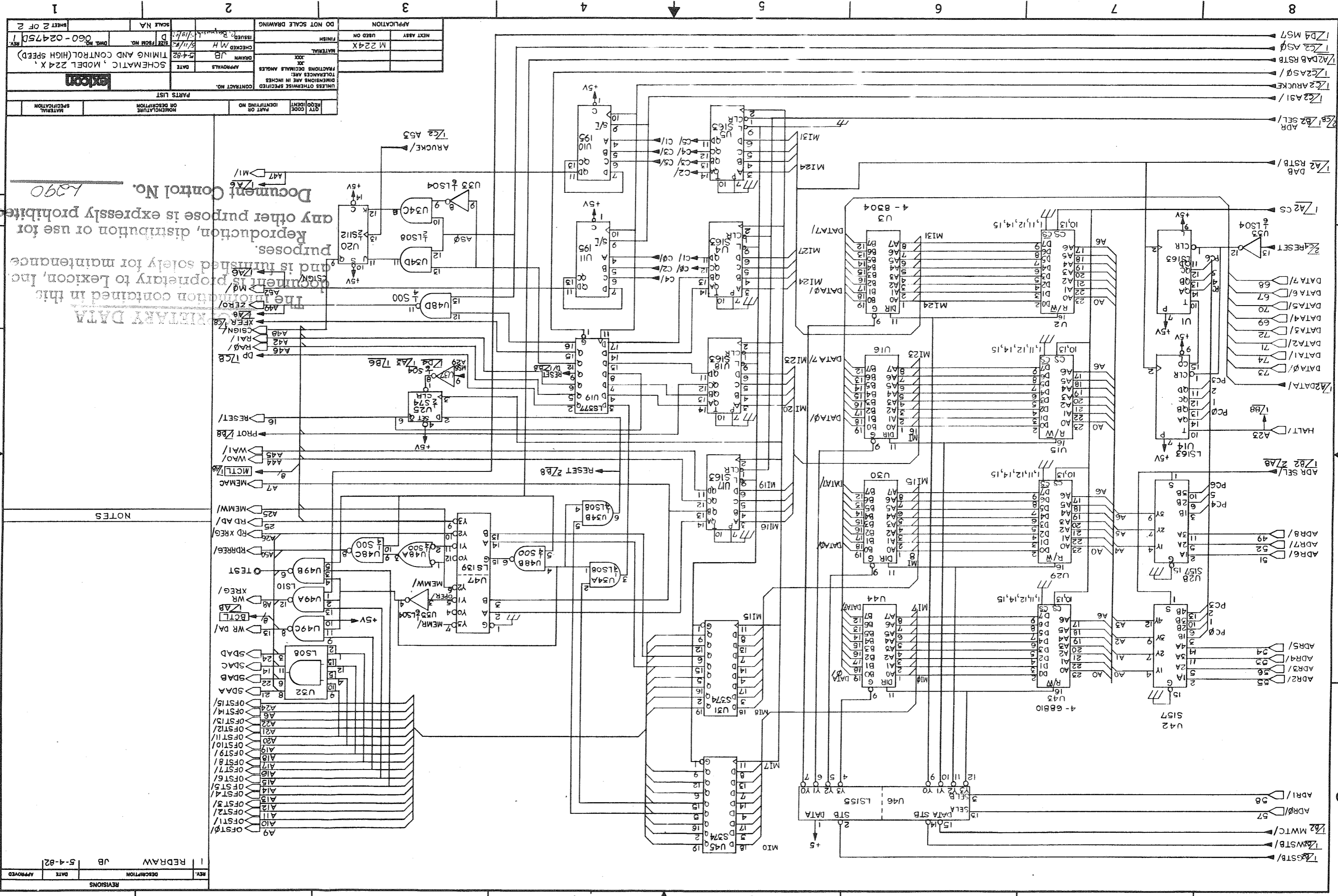
5

6

7

8

1



REV.	DESCRIPTION	DATE	APPROVED
1	REDRAW	5-4-82	JB

REV.	DESCRIPTION	DATE	APPROVED
1	REDRAW	5-4-82	JB

REV.	DESCRIPTION	DATE	APPROVED
1	REDRAW	5-4-82	JB

1

2

3

4

5

6

7

8

A

B

C

D

1

2

3

4

5

6

7

8

9

10

11

12

13

14

15

16

17

18

19

20

21

22

23

24

25

26

27

28

29

30

31

32

33

34

35

36

37

38

39

40

41

42

43

44

45

46

47

48

49

50

51

52

53

54

55

56

57

58

59

60

61

62

63

64

65

66

67

68

69

70

71

72

73

74

75

76

77

78

79

80

81

82

83

84

85

86

87

88

89

90

91

92

93

94

95

96

97

REV.	DESCRIPTION	DATE	APPROVED
1	REDRAW	5-4-82	JB

REV.	DESCRIPTION	DATE	APPROVED
1	REDRAW	5-4-82	JB

REV.	DESCRIPTION	DATE	APPROVED
1	REDRAW	5-4-82	JB

1

2

3

4

5

6

7

8

A

B

C

D

1

2

3

4

5

6

7

8

9

10

11

12

13

14

15

16

17

18

19

20

21

22

23

24

25

26

27

28

29

30

31

32

33

34

35

36

37

38

39

40

41

42

43

44

45

46

47

48

49

50

51

52

53

54

55

56

57

58

59

60

61

62

63

64

65

66

67

68

69

70

71

72

73

74

75

76

77

78

79

80

81

82

83

84

85

86

87

88

89

90

91

92

93

94

95

96

97

REV.	DESCRIPTION	DATE	APPROVED
1	REDRAW	5-4-82	JB

REV.	DESCRIPTION	DATE	APPROVED
1	REDRAW	5-4-82	JB

REV.	DESCRIPTION	DATE	APPROVED
1	REDRAW	5-4-82	JB

1

2

3

4

5

6

7

8

A

B

C

D

1

2

3

4

5

6

7

8

9

10

11

12

13

14

15

16

17

18

19

20

21

22

23

24

25

26

27

28

29

30

31

32

33

34

35

36

37

38

39

40

41

42

43

44

45

46

47

48

ISSUED	SCALE	SIZE	DWG. NO.	REV.
12/18	1:1	C	030-02481	0
DATE	APPROVALS	PC DOC, ASS'Y DWG.		
11/24/81		T&C BD., 224X		
SHEET 1 OF 1				

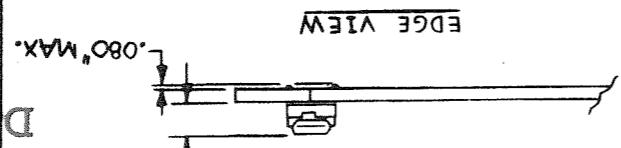
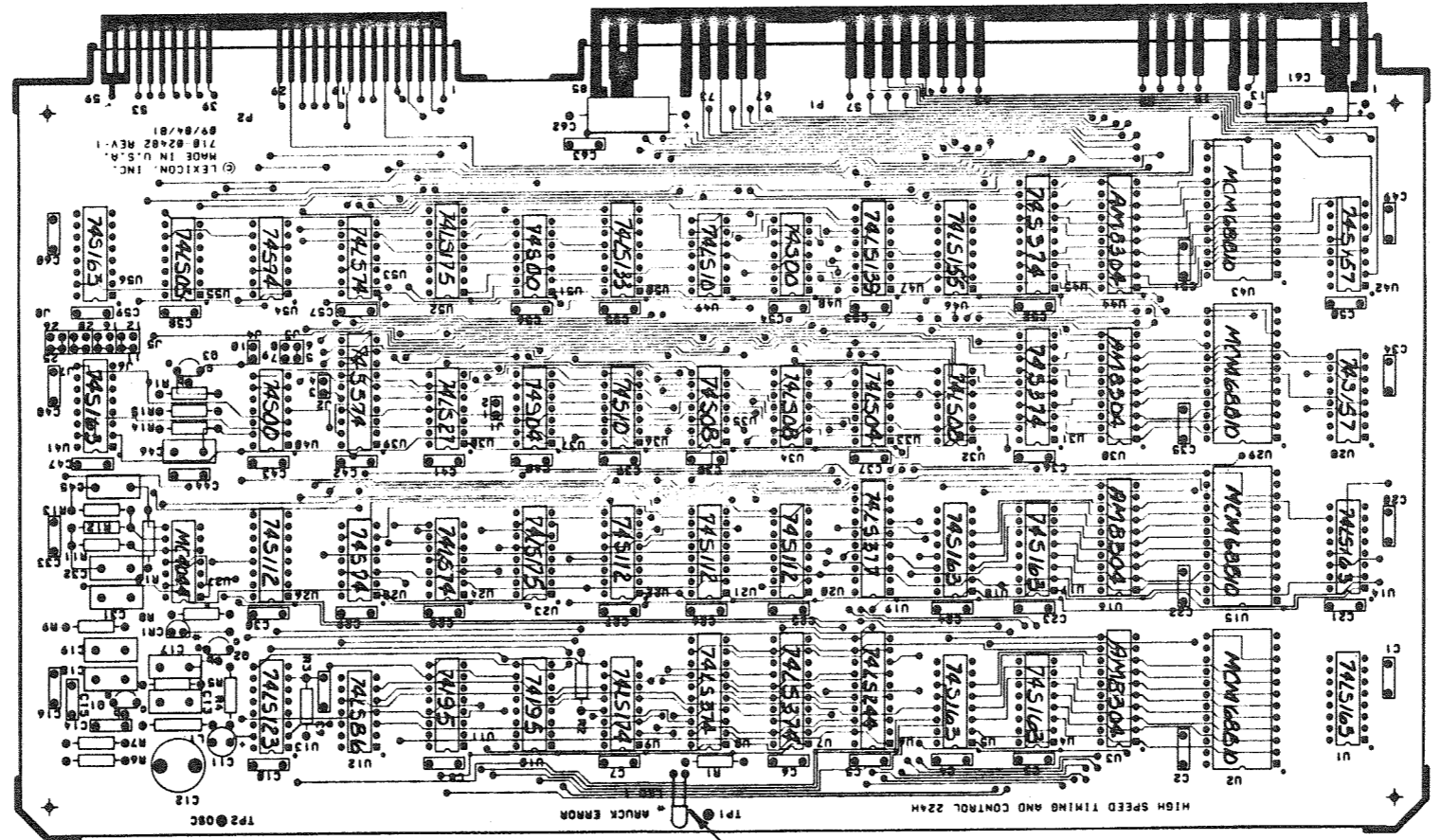
lexicon

The information contained in this document is proprietary to Lexicon, Inc. and is furnished solely for maintenance purposes. Reproduction, distribution or use for any other purpose is expressly prohibited. Document Control No. 4590

REV.	DATE	DESCRIPTION	INIT/APP/V.D.

NOTES

1. REFER TO PARTS LIST NO. 020-02476.
2. COMPONENT HEIGHT MAX. .425"
3. SOLDER TAIL PROTRUSION MAX. .080"
4. SOCKET ALL IC POSITIONS.
5. ALL RESISTORS IN Ω.
6. ALL CAPACITORS IN μF UNLESS OTHERWISE SPECIFIED.
7. LED SHOULD NOT EXTEND BEYOND THE EDGE OF THE BOARD.
8. SPARE LOCATION: C13.



FLAT SIDE

HIGH SPEED TIMING AND CONTROL 224X

TP1 BRUCK ERROR

TP2 @08C

© LEXICON, INC.
MADE IN U.S.A.
718 82482 REV-1
89/84/81