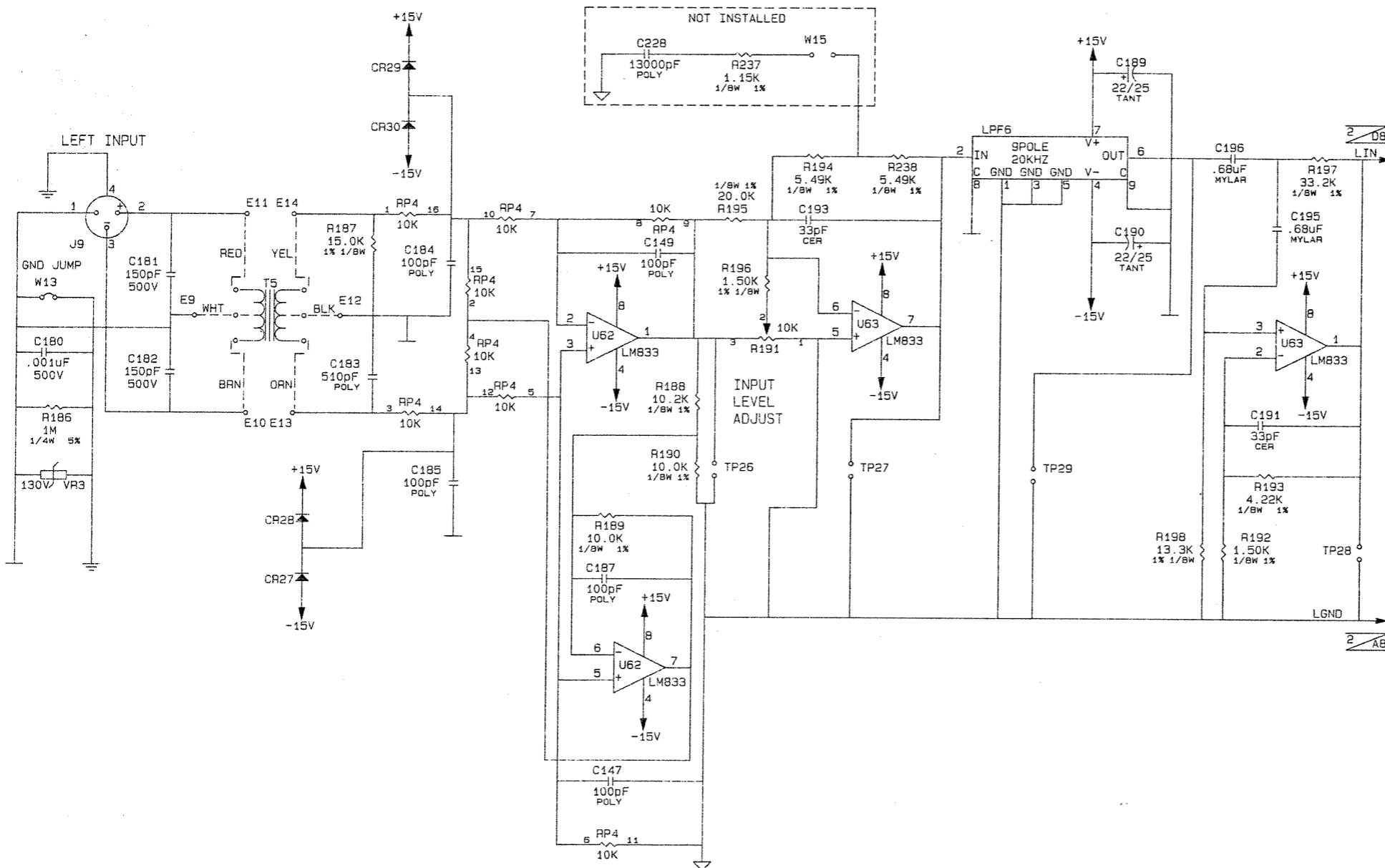


NOTE: INPUT TRANSFORMERS ARE A USER INSTALLED OPTION. SEE OWNERS MANUAL FOR INSTALLATION INSTRUCTIONS.



REVISIONS			
REV	DESCRIPTION	DRAFTER/CHECKER	D.C./AUTHORIZED
7	REVISED PER ECO # 910425-00 AND # 920120-01 AND REDRAWN REV 3 BOARD.	RWH 1/28/92	WJH 1/19/92

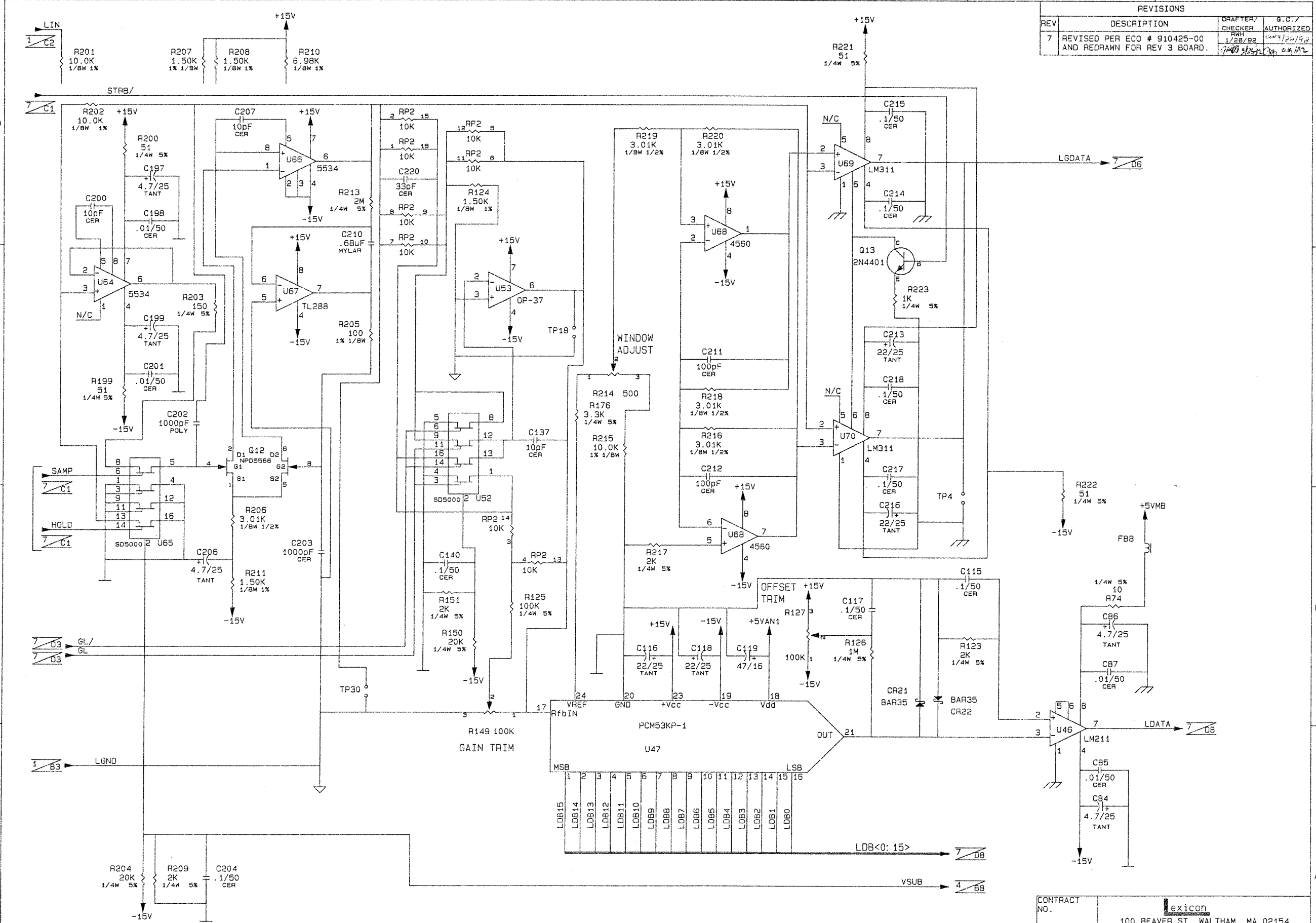
- NOTES
- UNLESS OTHERWISE INDICATED, RESISTORS ARE 5%, 1/4W.
  - UNLESS OTHERWISE INDICATED, CAPACITORS ARE UF/V.
  - UNLESS OTHERWISE INDICATED, DIODES ARE 1N4148.
  - ANALOG GROUND CHASSIS ANALOG GROUND PWR GND
  - 1 A2 DENOTES SHEET NUMBER AND INTERSECT COORDINATE.
  - ON BOARD CONNECTION-TO ON BOARD CONNECTION-FROM SOLDER CONNECTION
  - REFERENCE DESIGNATORS, LAST USED:  
C236, CR32, DS1, E14, F2, FB16, J9, L1, LPF6, OPA4, P9, Q13, R239, RP4, S1, T4, TP31, U70, VR3, W15.

DOCUMENT CONTROL BLOCK: #060-04377

SHEET NUMBER	REVISION NUMBER
1 of 10	7
2 of 10	7
3 of 10	7
4 of 10	7
5 of 10	7
6 of 10	7
7 of 10	7
8 of 10	7
9 of 10	7
10 of 10	7

CONTRACT NO.		Lexicon 100 BEAVER ST. WALTHAM, MA 02154	
APPROVALS	DATE	TITLE	
		SCHEM, MOTHERBOARD, M480L	
DRAWN	1/28/92	LEFT ANALOG IN	
CHECKED	3/25/92	SIZE	CODE NUMBER
D.C.	1/28/92	D	060-04377 7
ISSUED	1/19/92	SHEET 1 OF 10	

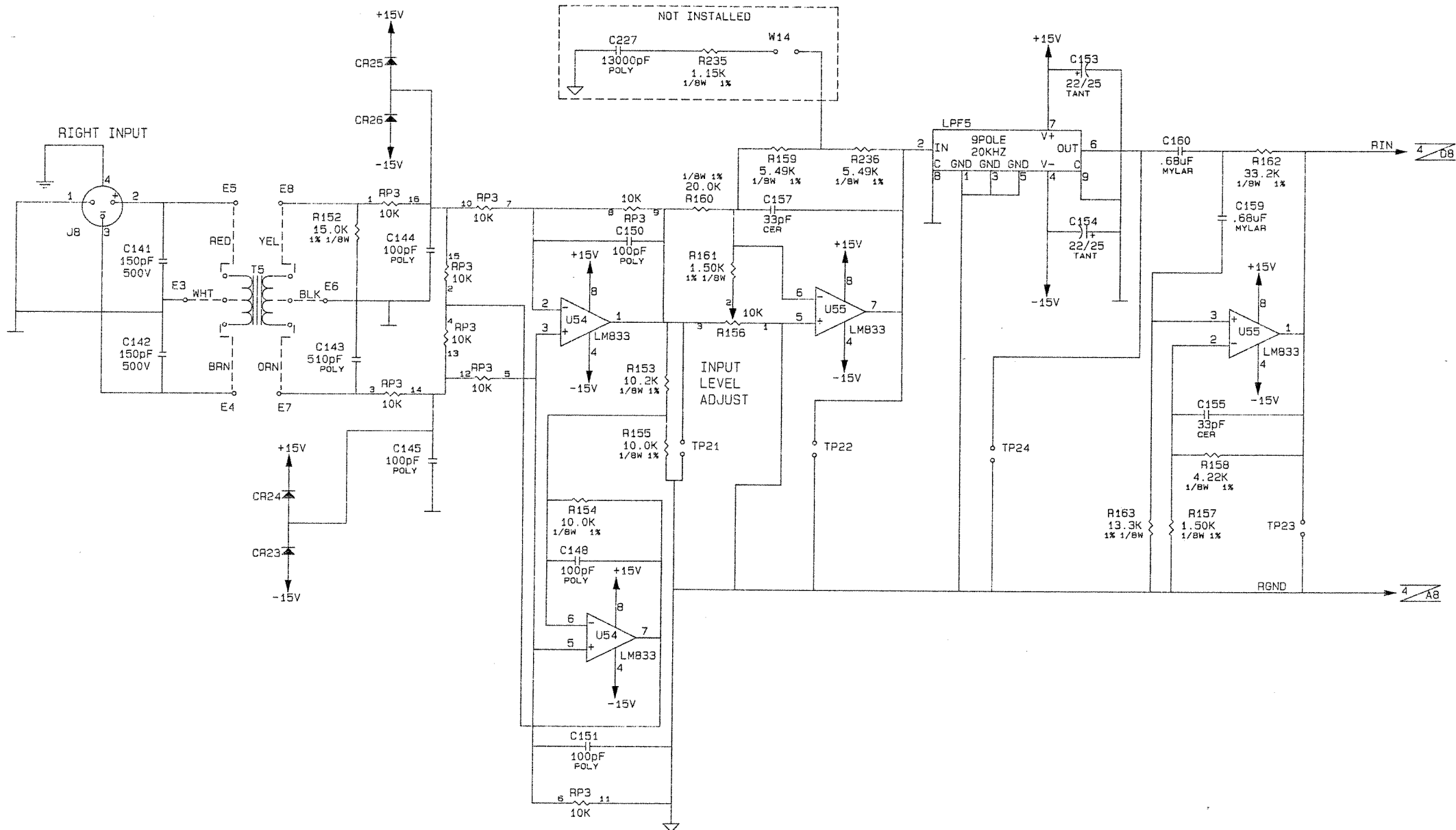
REVISIONS			
REV	DESCRIPTION	DRAWN/CHECKER	Q.C. / AUTHORIZED
7	REVISED PER ECO # 910425-00 AND REDRAWN FOR REV 3 BOARD.	RWH	1/28/92



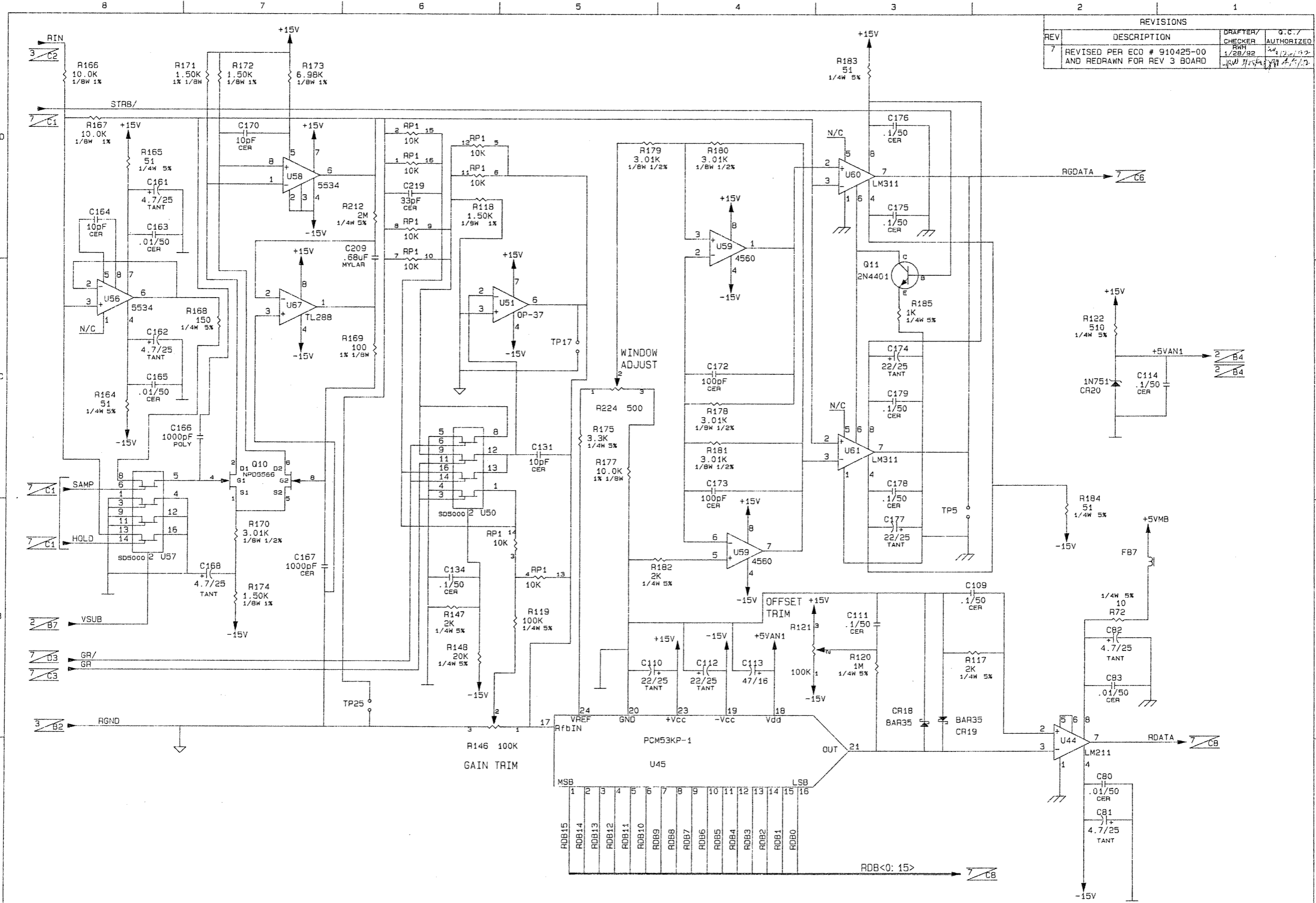
CONTRACT NO.		lexicon	
100 BEAVER ST. WALTHAM, MA 02154		TITLE	
APPROVALS	DATE	SCHEM. MOTHERBOARD, M480L	
DRAWN RWH	1/28/92	LEFT ANALOG IN, A/D CONV	
CHECKED	3/25/92	SIZE	CODE NUMBER
Q.C.	3/25/92	D	060-04377
ISSUED	4/19/92		7
SHEET 2 OF 10			

REVISIONS			
REV	DESCRIPTION	DRAWN/CHECKER	G.C./AUTHORIZED
7	REVISED PER ECO # 910425-00 AND REDRAWN FOR REV 3 BOARD.	RWH	2/28/92

NOTE: INPUT TRANSFORMERS ARE A USER INSTALLED OPTION. SEE OWNERS MANUAL FOR INSTALLATION INSTRUCTIONS.



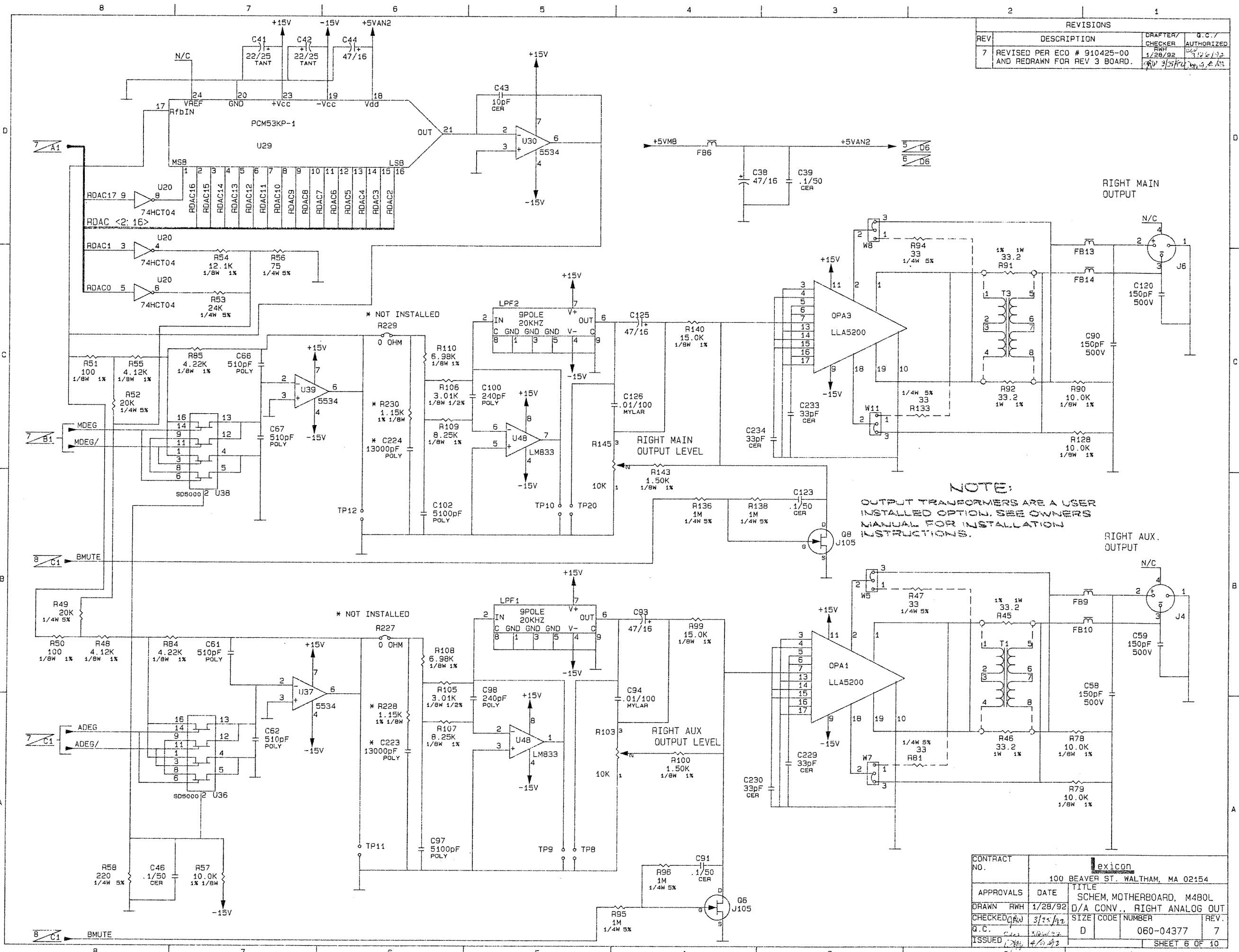
CONTRACT NO.	lexicon 100 BEAVER ST. WALTHAM, MA 02154		
APPROVALS	DATE	TITLE	
DRAWN RWH	1/28/92	SCHEM, MOTHERBOARD, M480L	
CHECKED <i>[Signature]</i>	2/25/92	RIGHT ANALOG IN	
G.C.	D	SIZE	NUMBER
ISSUED <i>[Signature]</i>	2/25/92	060-04377	7
			SHEET 3 OF 10



REVISIONS			
REV	DESCRIPTION	DRAFTER/CHECKER	G.C./AUTHORIZED
7	REVISED PER ECO # 910425-00 AND REDRAWN FOR REV 3 BOARD	RWH	1/28/92

CONTRACT NO.		lexicon	
		100 BEAVER ST. WALTHAM, MA 02154	
APPROVALS	DATE	TITLE	
	1/28/92	SCHEM, MOTHERBOARD, M480L	
DRAWN	RWH	RIGHT ANALOG IN, A/D CONV.	
CHECKED	3/25/92	SIZE	CODE NUMBER
G.C.	3/25/92	D	060-04377
ISSUED	4/6/92		7
		SHEET 4 OF 10	

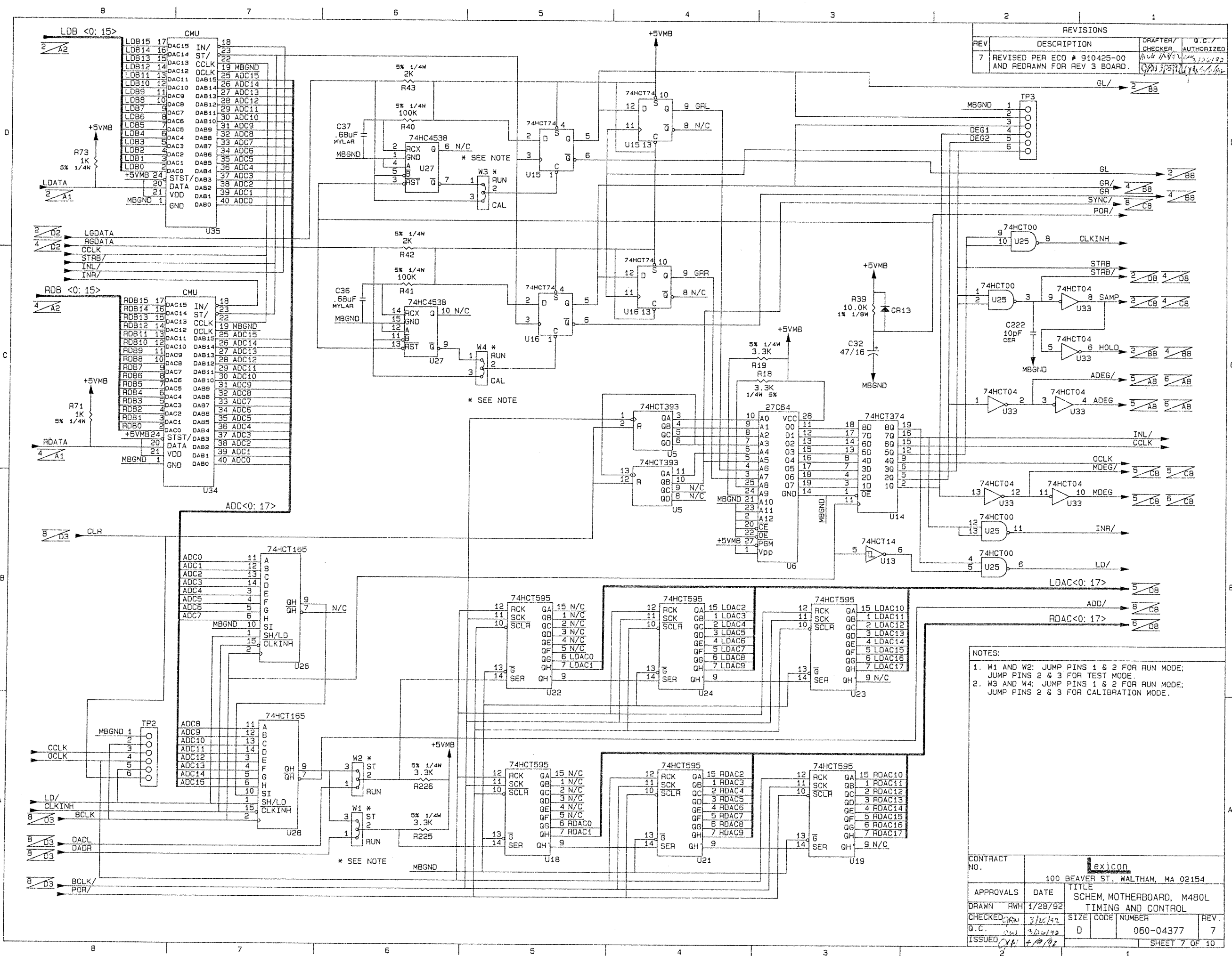




REVISIONS			
REV	DESCRIPTION	DRAFTER/CHECKER	G.C./AUTHORIZED
7	REVISED PER ECO # 910425-00 AND REDRAWN FOR REV 3 BOARD.	RWH	1/28/92

**NOTE:**  
 OUTPUT TRANSFORMERS ARE A USER INSTALLED OPTION. SEE OWNERS MANUAL FOR INSTALLATION INSTRUCTIONS.

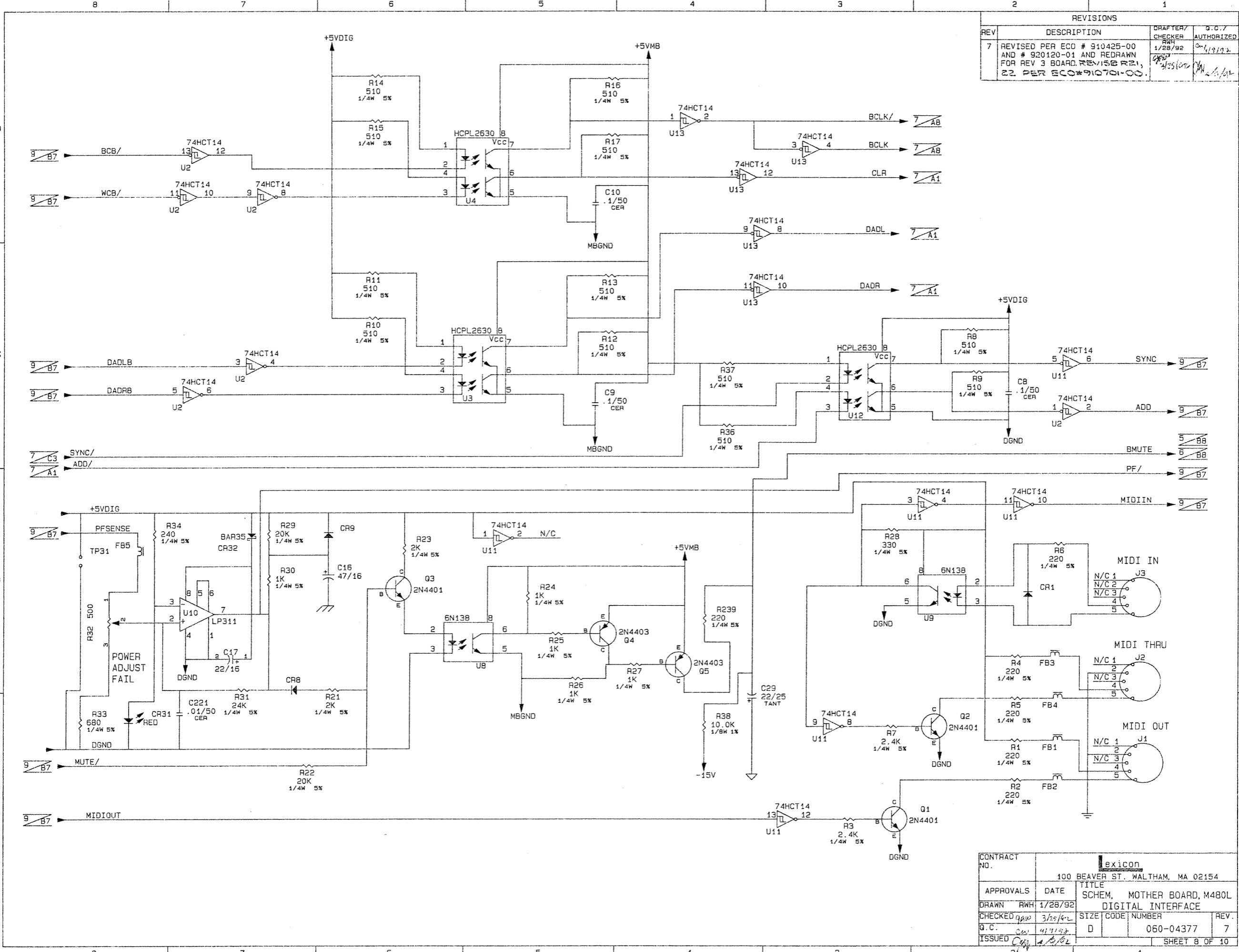
CONTRACT NO.		Lexicon 100 BEAVER ST. WALTHAM, MA 02154	
APPROVALS	DATE	TITLE	
DRAWN RWH	1/28/92	SCHEM. MOTHERBOARD, M480L	
CHECKED GAW	3/25/92	D/A CONV., RIGHT ANALOG OUT	
G.C.		SIZE	CODE NUMBER
ISSUED		D	060-04377
			7
		SHEET 6 OF 10	



REVISIONS			
REV	DESCRIPTION	DRAFTER/CHECKER	D.C. / AUTHORIZED
7	REVISED PER ECO # 910425-00 AND REDRAWN FOR REV 3 BOARD.	<i>[Signature]</i>	<i>[Signature]</i>

- NOTES:
1. W1 AND W2: JUMP PINS 1 & 2 FOR RUN MODE; JUMP PINS 2 & 3 FOR TEST MODE.
  2. W3 AND W4: JUMP PINS 1 & 2 FOR RUN MODE; JUMP PINS 2 & 3 FOR CALIBRATION MODE.

CONTRACT NO.		Lexicon	
		100 BEAVER ST., WALTHAM, MA 02154	
APPROVALS	DATE	TITLE	
DRAWN RWH	1/28/92	SCHEM, MOTHERBOARD, M480L	
CHECKED <i>[Signature]</i>	3/15/92	TIMING AND CONTROL	
G.C. <i>[Signature]</i>	3/22/92	SIZE	CODE NUMBER
ISSUED <i>[Signature]</i>	4/2/92	D	060-04377
			7
			SHEET 7 OF 10



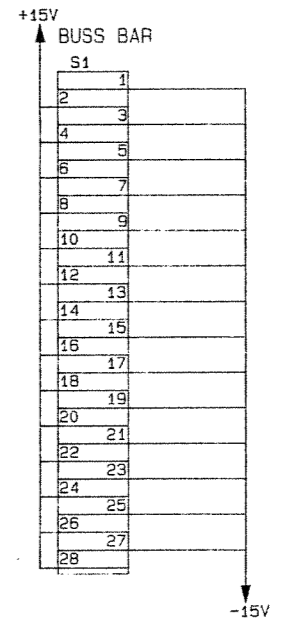
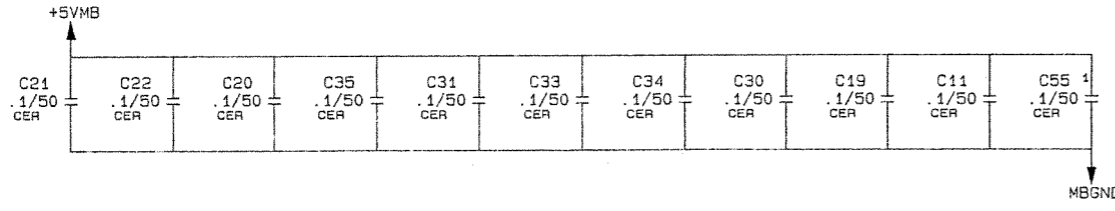
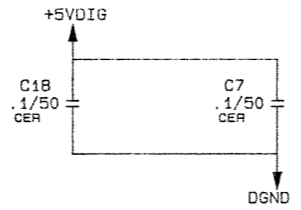
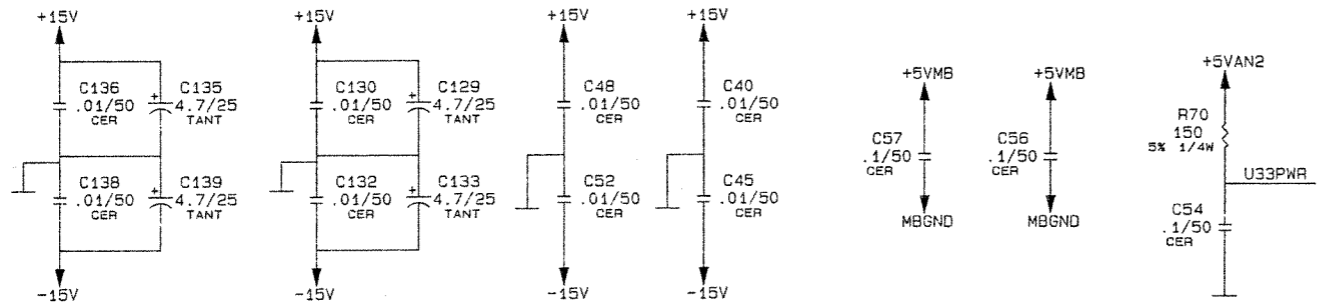
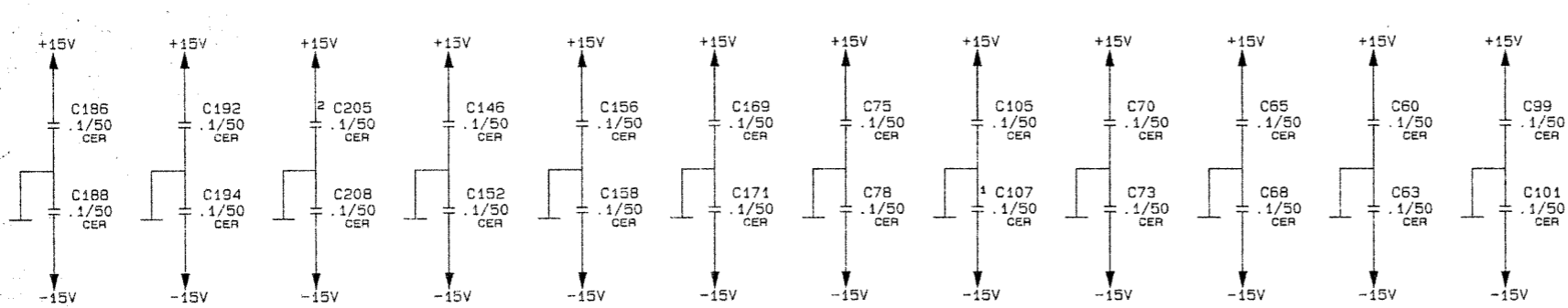
REVISIONS			
REV	DESCRIPTION	DRAFTER/CHECKER	D.C./AUTHORIZED
7	REVISED PER ECO # 910425-00 AND # 920120-01 AND REDRAWN FOR REV 3 BOARD. REVISE R21, R22 PER ECO#910701-00.	RWH 1/28/92 Revision	06/19/92 M. S. / J. P.

CONTRACT NO.		Lexicon 100 BEAVER ST. WALTHAM, MA 02154		
APPROVALS	DATE	TITLE		
DRAWN RWH	1/28/92	SCHEM. MOTHER BOARD, M480L		
CHECKED gaw	3/22/92	DIGITAL INTERFACE		
D.C.	06/19/92	SIZE	CODE	NUMBER
ISSUED C. J.	4/2/92	D	060-04377	7
				SHEET 8 OF 10





REVISIONS			
REV	DESCRIPTION	DRAFTER/CHECKER	G.C./AUTHORIZED
7	REVISED PER ECO # 910425-00 AND REDRAWN FOR REV 3 BOARD.	RWH 1/28/92	CW 1/28/92



N/C 1	16 +5VMB
N/C 2	15 N/C
N/C 3	14 N/C
N/C 4	13 N/C
N/C 5	12 N/C
N/C 6	11 N/C
N/C 7	10 N/C
MBGND8	9 N/C
SPARE	

CONTRACT NO.	Lexicon 100 BEAVER ST. WALTHAM, MA 02154		
APPROVALS	DATE	TITLE	
DRAWN RWH	1/28/92	SCHEMATIC, MOTHER BOARD, M480L BYPASS CAPS	
CHECKED	2/27/92	SIZE	CODE NUMBER
G.C.	1/28/92	D	060-04377
ISSUED	1/28/92	REV.	7
			SHEET 10 OF 10