

CASSETTE INTERFACE
USED ON M224XL ONLY
(DO NOT INSTALL PARTS
FOLLOWED BY AN ASTERISK *)

REVISIONS			
REV.	DESCRIPTION	DATE	APPROVED
1	ADDED J0 AND NOTE G	8-24-83	JCR
2	ADDED DOCUMENT CONTROL BLOCK AND CHANGED LURCH IN TITLE TO LARC	11/28/84	JCR
3	CHANGED C9 FROM 47/16 TO 10/16	7/24/86	JCR
4	CHANGED COMPONENT COUNT. DO NOT INSTALL CASSETTE INTERFACE PER ECO# 911223-00.	11/17/92	JCR

- NOTES
- RESISTORS ARE 1/4 W, 5% UNLESS OTHERWISE INDICATED.
 - CAPACITOR VALUES ARE IN μF/VOLTS UNLESS OTHERWISE INDICATED.
 - DIODES ARE IN4148 UNLESS OTHERWISE INDICATED.
 - ON BOARD CONNECTIONS:
TO → FROM →
 - O-DENOTES SOLDER CONNECTION.
 -

PIN	RP1	RP2	RP3	RP4
1	+5V	+5V	+5V	+5V
2	S0	A6	A5	A2
3	D4	D0	A4	A3
4	D5	D1	S3	307KHz
5	D6	D2	S2	A1
6	D7	D3	S1	A0

DOCUMENT CONTROL BLOCK: 060-03534

SHEET NUMBER	REVISION
1 OF 2	4
2 OF 2	2

CITY	CODE	PART OR IDENTIFYING NO	NOMENCLATURE OR DESCRIPTION	MATERIAL SPECIFICATION

UNLESS OTHERWISE SPECIFIED DIMENSIONS ARE IN INCHES TOLERANCES ARE FRACTIONS DECIMALS ANGLES

MATERIAL	CHECKED	ISSUED	DATE	SCALE	SHEET	REV.
	JCR	JCR	3-18-83		1 OF 2	4

APPROVALS: JCR 3-18-83

CONTRACT NO. 060-03534

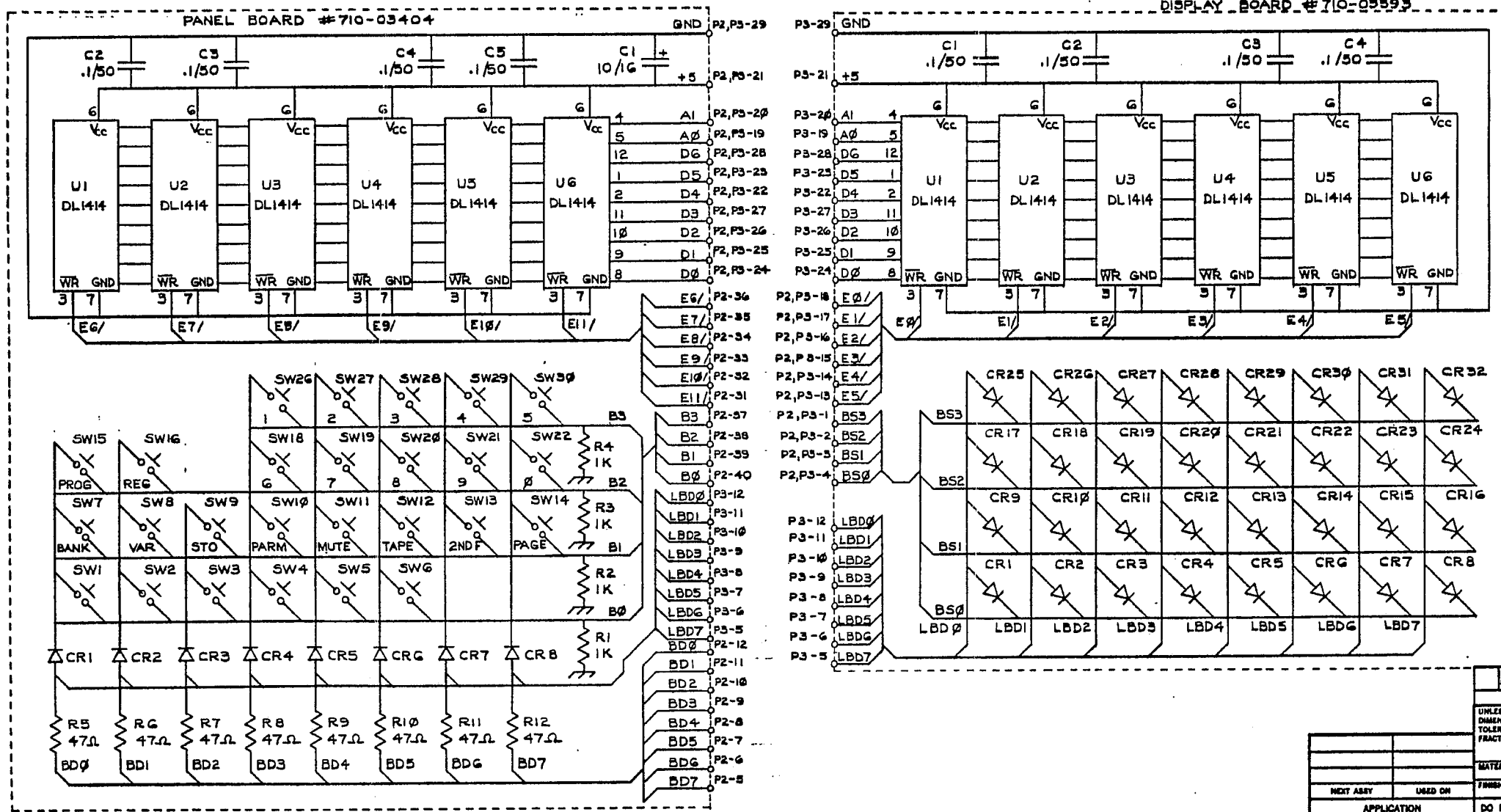
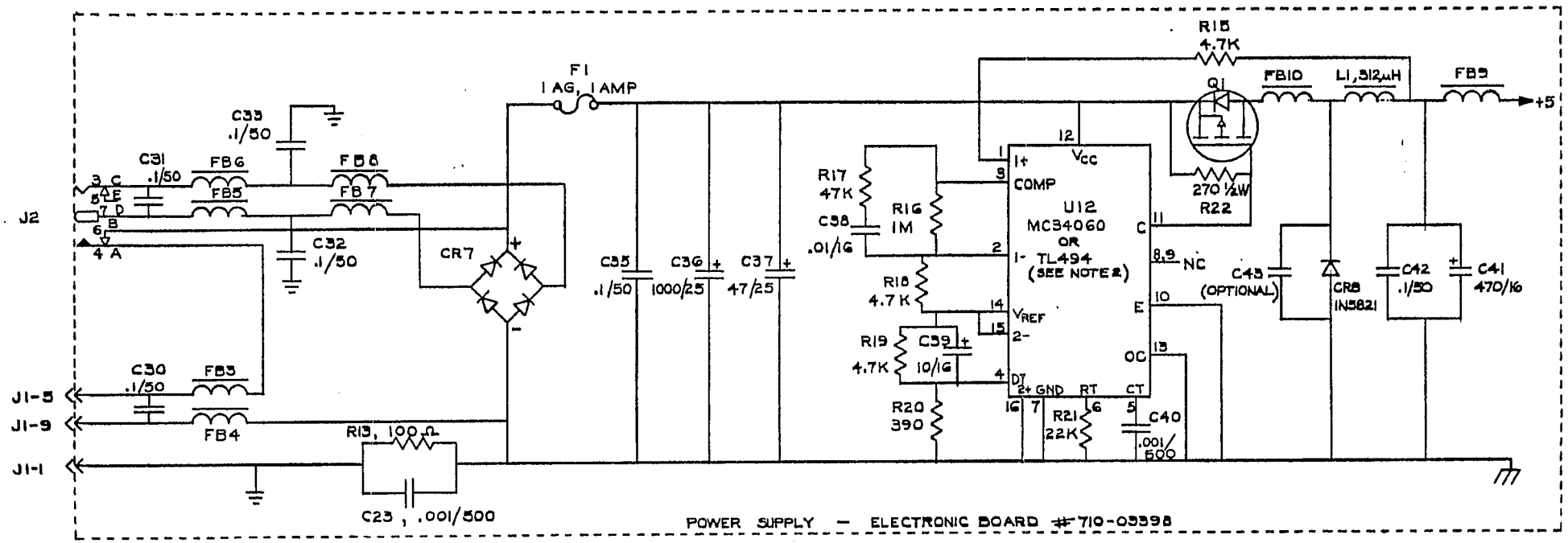
SCALE: NA

SHEET: 1 OF 2

lexicon

SCHEMATIC, LARC

DO NOT SCALE DRAWING



NOTES

1. PINS P2-1 THROUGH P2-4 ARE CONNECTED TO P3-1 THROUGH P3-4 AND P2-13 THROUGH P2-29 ARE CONNECTED TO P3-13 THROUGH P3-29. THESE CONNECTIONS ARE MADE ON THE PANEL BOARD.
2. THE MC34060 (14 PIN PACKAGE) AND THE TL494 (16 PIN PACKAGE) ARE PINOUT COMPATIBLE WITH PIN 1 BEING THE SAME ON EACH. PIN NUMBERS LISTED ARE FOR THE TL494.

QTY	CODE	PART OR IDENTIFYING NO	NOMENCLATURE OR DESCRIPTION	MATERIAL SPECIFICATION
PARTS LIST				
UNLESS OTHERWISE SPECIFIED DIMENSIONS ARE IN INCHES TOLERANCES ARE: FRACTIONS DECIMALS ANGLES		CONTRACT NO.		
MATERIAL		APPROVALS	DATE	lexicon
FINISH		CHECKER	DATE	
NEXT ASBY		ISSUED	DATE	SCHEMATIC, LARC
USED ON		REV.	DATE	
APPLICATION		DO NOT SCALE DRAWING	SCALE N/A	SHEET 2 OF 2