

No Display
u2+u1

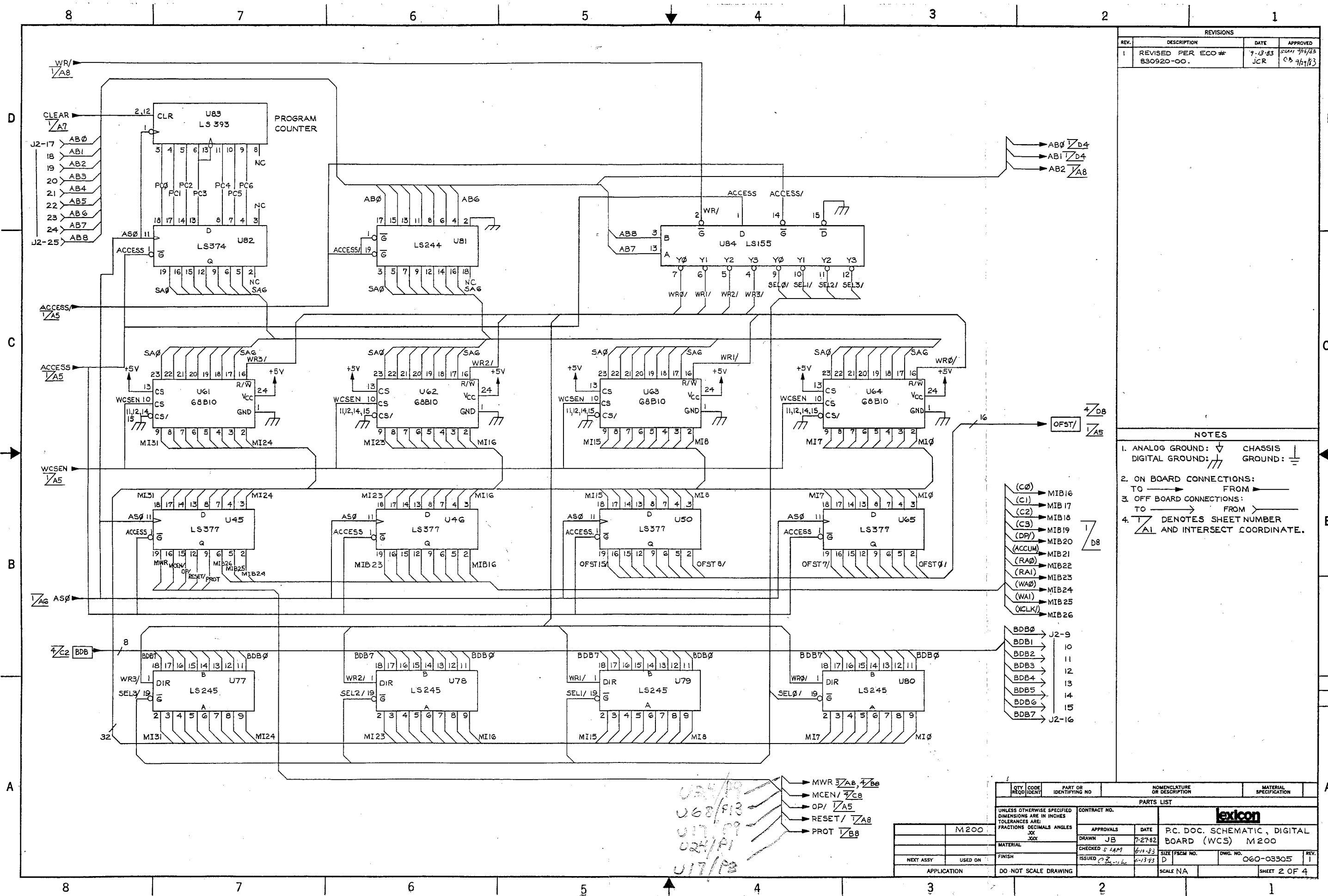
(in wet)
Gain switching
looks like a distortion problem
(check E103)

- NOTES
1. ANALOG GROUND: ∇ CHASSIS GROUND: \perp
 2. ON BOARD CONNECTIONS: TO \longrightarrow FROM \longleftarrow
 3. OFF BOARD CONNECTIONS: TO \longrightarrow FROM \longleftarrow
 4. ∇ A1 DENOTES SHEET NUMBER AND INTERSECT COORDINATE.
 5. UNLESS OTHERWISE INDICATED, RESISTORS ARE 1/4 W, 5%.
 6. UNLESS OTHERWISE INDICATED, CAPACITOR VALUES ARE IN UF/VOLTS

REVISIONS			
REV.	DESCRIPTION	DATE	APPROVED
1	REVISED PER ECO # 830920-00.	7-13-83	JCR

- TEST CONNECTOR
- MC \longrightarrow J4-1
 - DIG GND \longrightarrow J4-2
 - RESET/ \longrightarrow J4-3
 - AS0/ \longrightarrow J4-4
 - AS1/ \longrightarrow J4-5
 - ACCUM \longrightarrow J4-6
 - +5V \longrightarrow J4-7

QTY	CODE	PART OR IDENTIFYING NO	NOMENCLATURE OR DESCRIPTION	MATERIAL SPECIFICATION
			PARTS LIST	
UNLESS OTHERWISE SPECIFIED DIMENSIONS ARE IN INCHES TOLERANCES ARE FRACTIONS DECIMALS ANGLES		CONTRACT NO.		
		APPROVALS		
		DATE		
		RC. DOC., SCHEMATIC, DIGITAL		
		BD. (TIMING & CONTROL), M200		
		DRAWN JCR 8-9-82		
		CHECKED S LAPI 6-10-83		
		ISSUED P. B. 6-13-83		
		SIZE FSCM NO.		
		DWG. NO. 060-03305		
		REV. 1		
		SCALE NA		
		SHEET 1 OF 4		



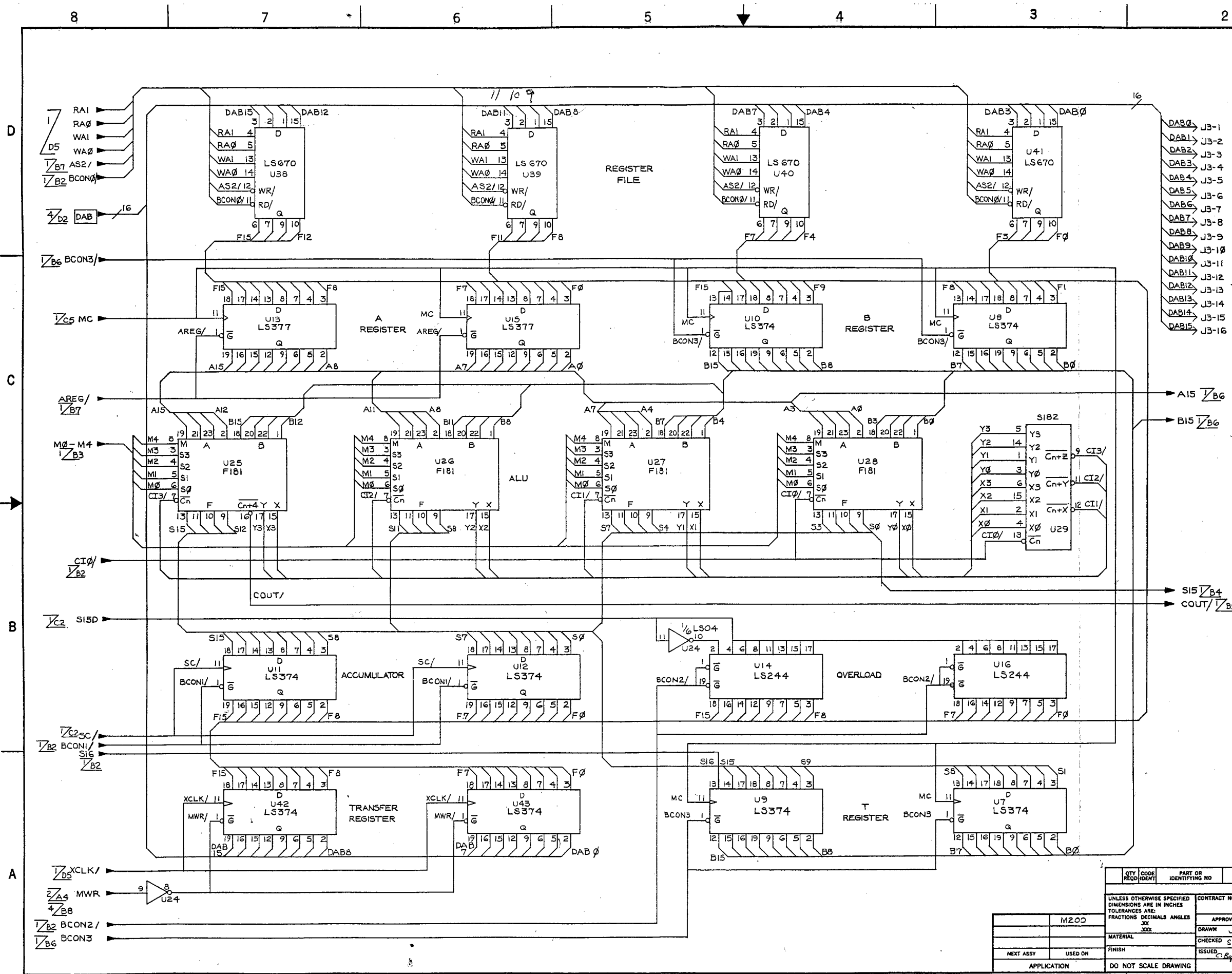
REVISIONS			
REV.	DESCRIPTION	DATE	APPROVED
1	REVISED PER ECO # 830920-00.	7-13-83	JCR

- NOTES**
- ANALOG GROUND: CHASSIS GROUND:
 - ON BOARD CONNECTIONS:
TO FROM
 - OFF BOARD CONNECTIONS:
TO FROM
 - DENOTES SHEET NUMBER AND INTERSECT COORDINATE.

QTY	CODE	PART OR IDENTIFYING NO	NOMENCLATURE OR DESCRIPTION	MATERIAL SPECIFICATION
			PARTS LIST	
			CONTRACT NO. lexicon	
			APPROVALS DATE P.C. DOC. SCHEMATIC, DIGITAL BOARD (WCS) M200	
			DRAWN JB 7-2782	
			CHECKED S 2 AM 6-10-83	
			ISSUED 2-24-83 6-13-83	
			SIZE FROM NO.	DWG. NO. 060-03305
			SCALE NA	SHEET 2 OF 4

M200
 U83/P1
 U68/P13
 U17/P1
 U24/P1
 U17/P2

MWR $\overline{A8}$, $\overline{B8}$
 MCEN/ $\overline{C8}$
 OP/ $\overline{A5}$
 RESET/ $\overline{A8}$
 PROT $\overline{B8}$

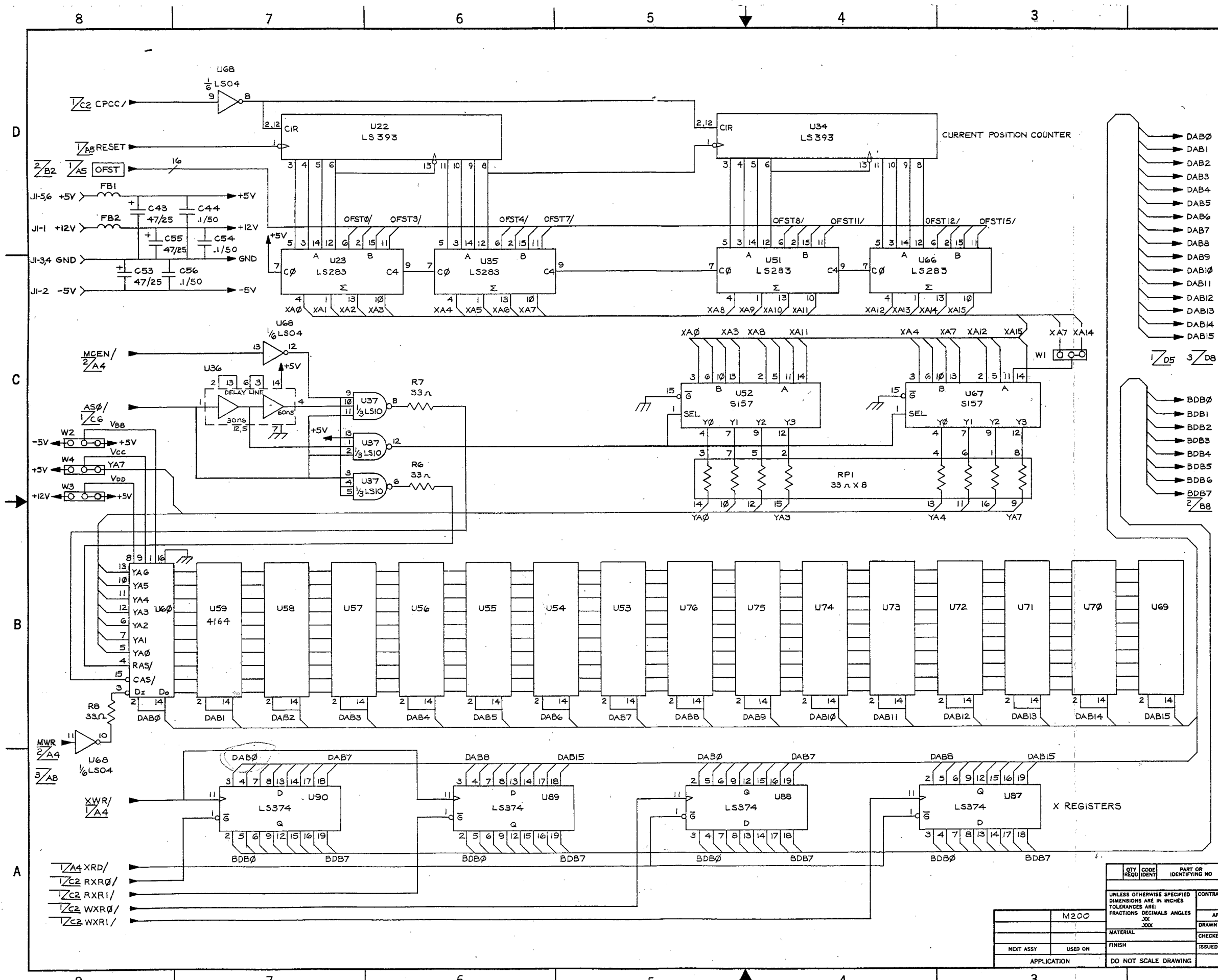


REVISIONS			
REV.	DESCRIPTION	DATE	APPROVED
1	REVISED PER ECO # 830920-00.	9-13-83 JCR	6/14/83 CB 7/1/83

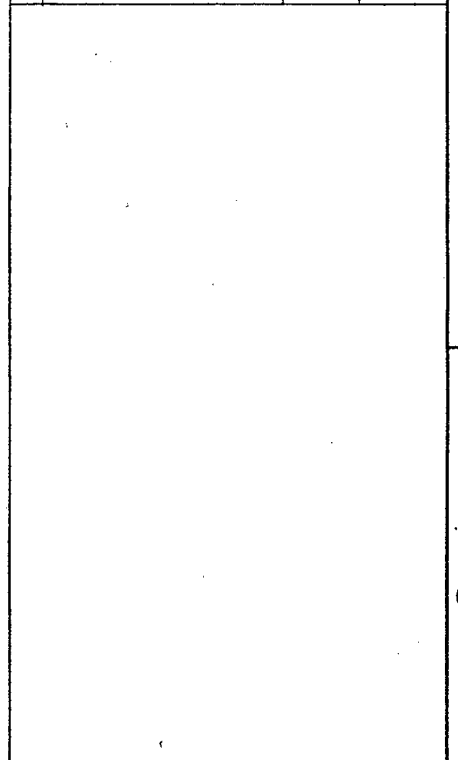
NOTES	
1. ANALOG GROUND: ∇	CHASSIS GROUND: \perp
2. ON BOARD CONNECTIONS: TO \rightarrow FROM \leftarrow	
3. OFF BOARD CONNECTIONS: TO \rightarrow FROM \leftarrow	
4. ∇ AL DENOTES SHEET NUMBER AND INTERSECT COORDINATE.	

CITY CODE REQ/IDENT	PART OR IDENTIFYING NO	NOMENCLATURE OR DESCRIPTION	MATERIAL SPECIFICATION
PARTS LIST			
UNLESS OTHERWISE SPECIFIED DIMENSIONS ARE IN INCHES TOLERANCES ARE: FRACTIONS DECIMALS ANGLES XX .XXX		CONTRACT NO.	
MATERIAL		APPROVALS	DATE
FINISH		CHECKED	DATE
NEXT ASSY USED ON		ISSUED	DATE
APPLICATION		DO NOT SCALE DRAWING	

lexicon
 PC. DOC., SCHEMATIC, DIGITAL BOARD, (ARU), M200
 SIZE FSCM NO. DWG. NO. O60-03305 REV. 1
 SCALE N/A SHEET 3 OF 4



REVISIONS			
REV.	DESCRIPTION	DATE	APPROVED
1	REVISED PER ECO # 830920-00.	9-13-83	JCR CR 9/16/83



NOTES

1. ANALOG GROUND: CHASSIS GROUND:

2. ON BOARD CONNECTIONS: TO FROM

3. OFF BOARD CONNECTIONS: TO FROM

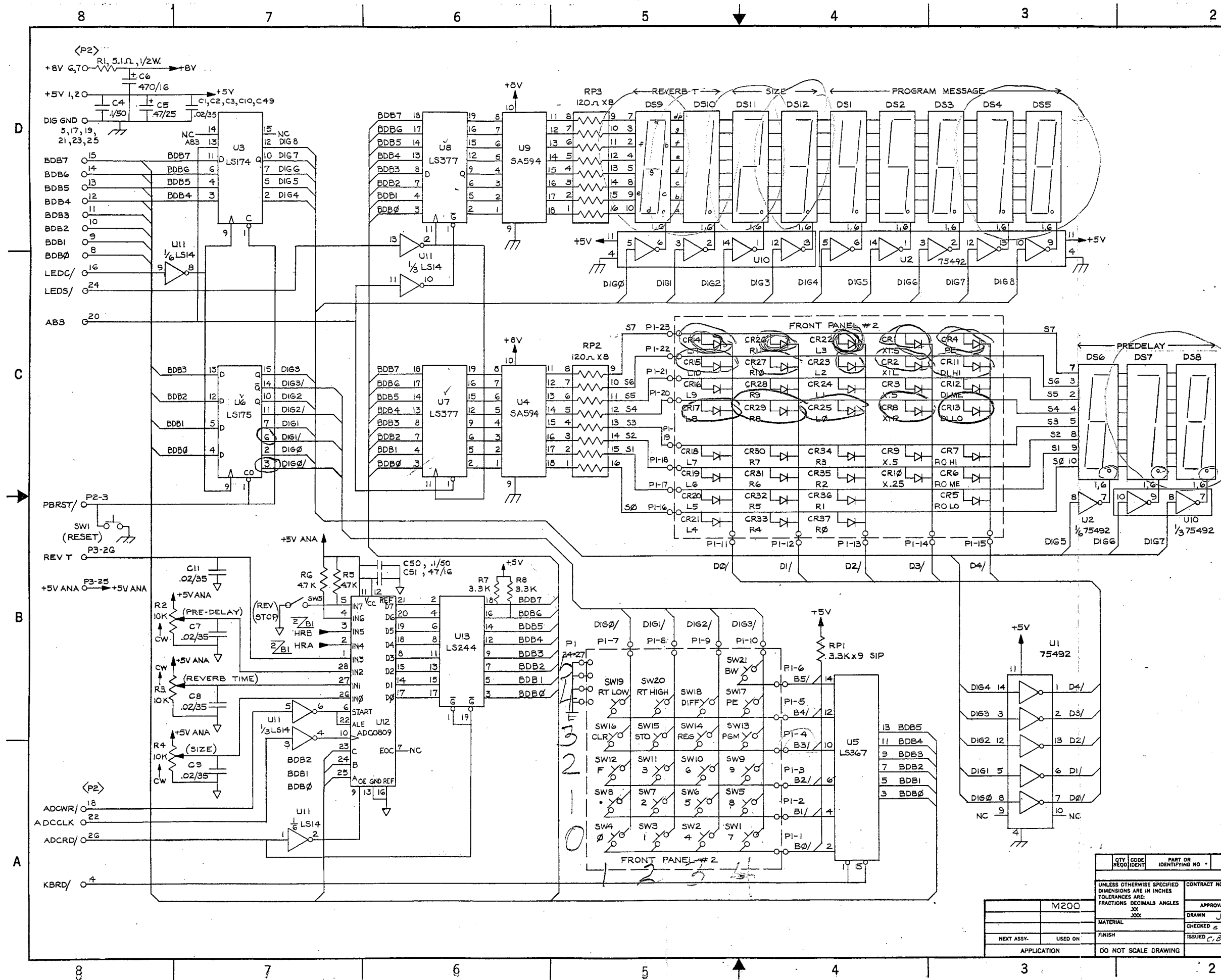
4. DENOTES SHEET NUMBER AND INTERSECT COORDINATE.

5. UNLESS OTHERWISE INDICATED, RESISTORS ARE 1/4W, 5%.

6. POWER SUPPLY BYPASS CAPACITORS: C1, 8, 17, 19, 21, 23, 24, 27-34, 58-60 ARE .1/50 MONOLITHIC CAPACITORS. C2-4, 6, 7, 10-16, 18, 20, 22, 25, 26, 45-51, 57 ARE .01/16 CERAMIC CAPACITORS.

7. UNLESS OTHERWISE INDICATED, CAPACITORS ARE UF/V.

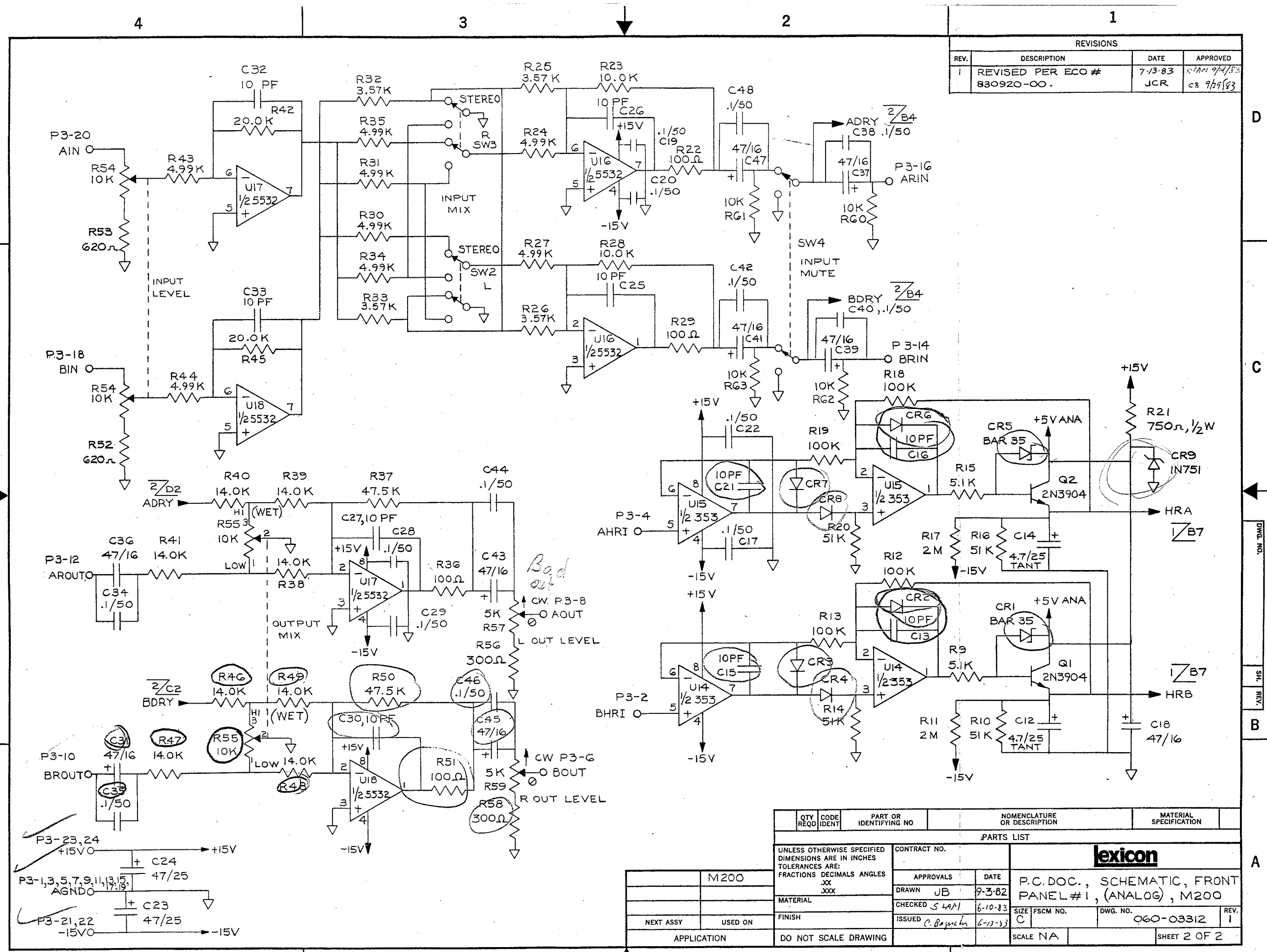
QTY REQD	CODE IDENT	PART OR IDENTIFYING NO	NOMENCLATURE OR DESCRIPTION	MATERIAL SPECIFICATION
PARTS LIST				
UNLESS OTHERWISE SPECIFIED DIMENSIONS ARE IN INCHES TOLERANCES ARE: FRACTIONS DECIMALS ANGLES .XXX .XXX .XXX		CONTRACT NO.		
MATERIAL		APPROVALS	DATE	P.C. DOC., SCHEMATIC, M200 BOARD (DATA MEMORY), M200
NEXT ASSY		DRAWN JB	7-30-82	
USED ON		CHECKED S. A. A. J.	6-12-83	
APPLICATION		ISSUED C. B. G. H.	6-11-83	SIZE 18CM NO. D
DO NOT SCALE DRAWING		DWG. NO. 060-03305		REV. 1
		SCALE N.A.		SHEET 4 OF 4



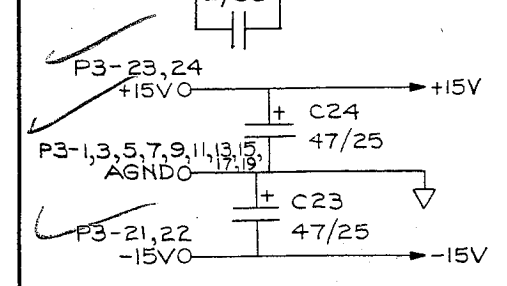
REVISIONS			
REV.	DESCRIPTION	DATE	APPROVED
1	REVISED PER ECO # 830920-00.	9-13-82	JCR S-LAM 9/22/82 CB 9/24/82

- NOTES**
1. RESISTORS ARE 1/4 W, 5% UNLESS OTHERWISE INDICATED.
 2. CAPACITOR VALUES ARE IN μF/VOLTS UNLESS OTHERWISE INDICATED.
 3. ON BOARD CONNECTIONS:
TO → FROM
 4. 0-0 DENOTES SOLDER CONNECTION.
 5. DIODES ARE 1N4148 UNLESS OTHERWISE INDICATED.

QTY	CODE	PART OR IDENTIFYING NO.	NOMENCLATURE OR DESCRIPTION	MATERIAL SPECIFICATION
			PARTS LIST	
	M200		UNLESS OTHERWISE SPECIFIED DIMENSIONS ARE IN INCHES TOLERANCES ARE FRACTIONS DECIMALS ANGLES XX XXX	
			CONTRACT NO. APPROVALS DATE	
			DRAWN JB 9-7-82 P.C. DOC., SCHEMATIC, FRONT PANEL BDS (DIGITAL) M-200	
			CHECKED S-LAM 6-16-82	
			ISSUED C. Bayne 6-18-82	
			SIZE FSCM NO. DWG. NO. 060-03312	REV. 1
			SCALE NA	SHEET 1 OF 2



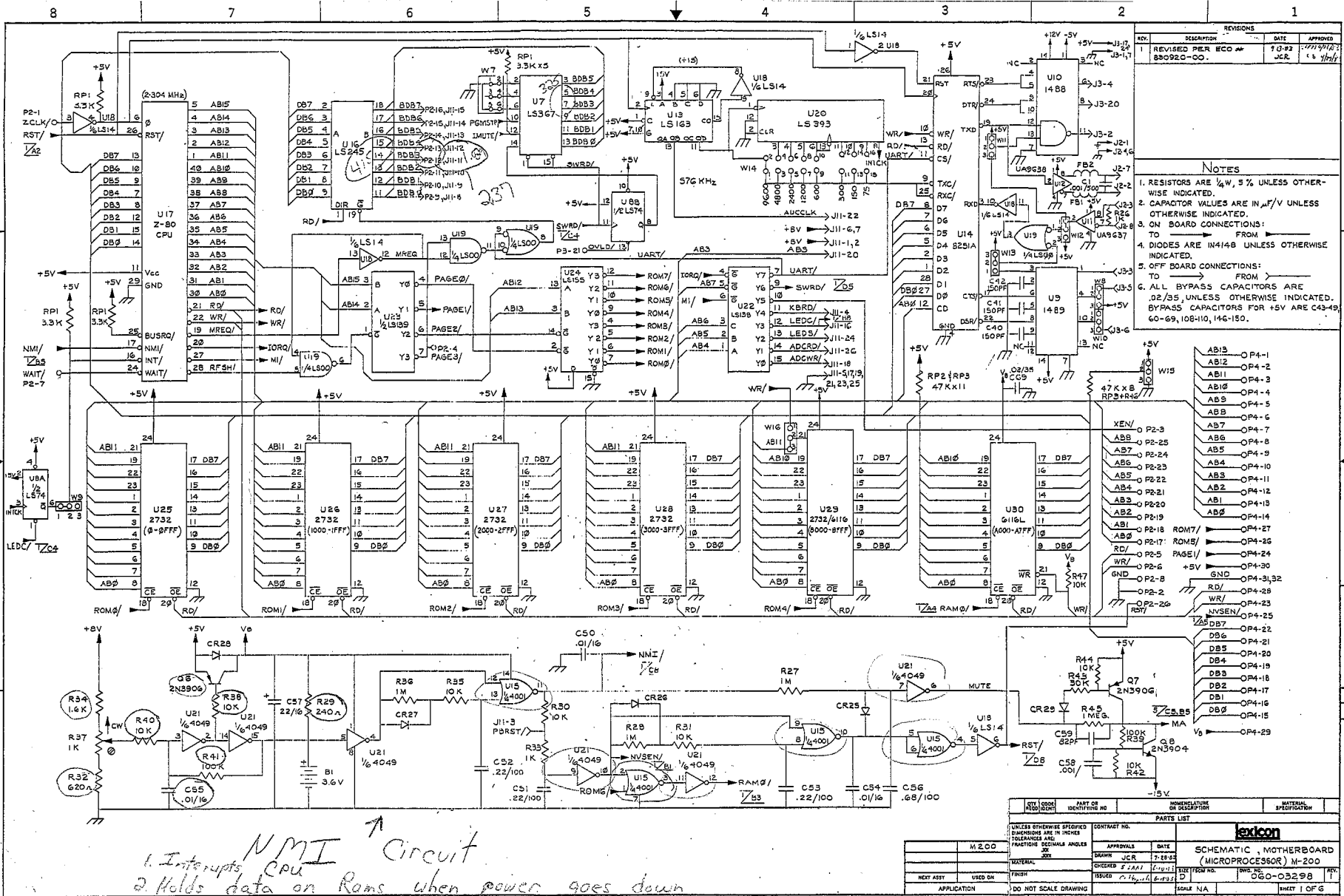
REVISIONS			
REV.	DESCRIPTION	DATE	APPROVED
1	REVISED PER ECO # 830920-00.	7-13-83	JCR



QTY REQD	CODE IDENT	PART OR IDENTIFYING NO	NOMENCLATURE OR DESCRIPTION	MATERIAL SPECIFICATION
PARTS LIST				
UNLESS OTHERWISE SPECIFIED DIMENSIONS ARE IN INCHES TOLERANCES ARE: FRACTIONS DECIMALS ANGLES .XX .XXX .XXX		CONTRACT NO. lexicon		
M200		APPROVALS	DATE	P.C. DOC., SCHEMATIC, FRONT PANEL #1, (ANALOG), M200
MATERIAL		CHECKED <i>S. Lam</i>	6-10-83	SIZE FSCM NO. C
NEXT ASSY		ISSUED <i>C. B. ...</i>	6-12-83	DWG. NO. 060-03312
APPLICATION		DO NOT SCALE DRAWING	SCALE NA	REV. 1
				SHEET 2 OF 2

Bad out

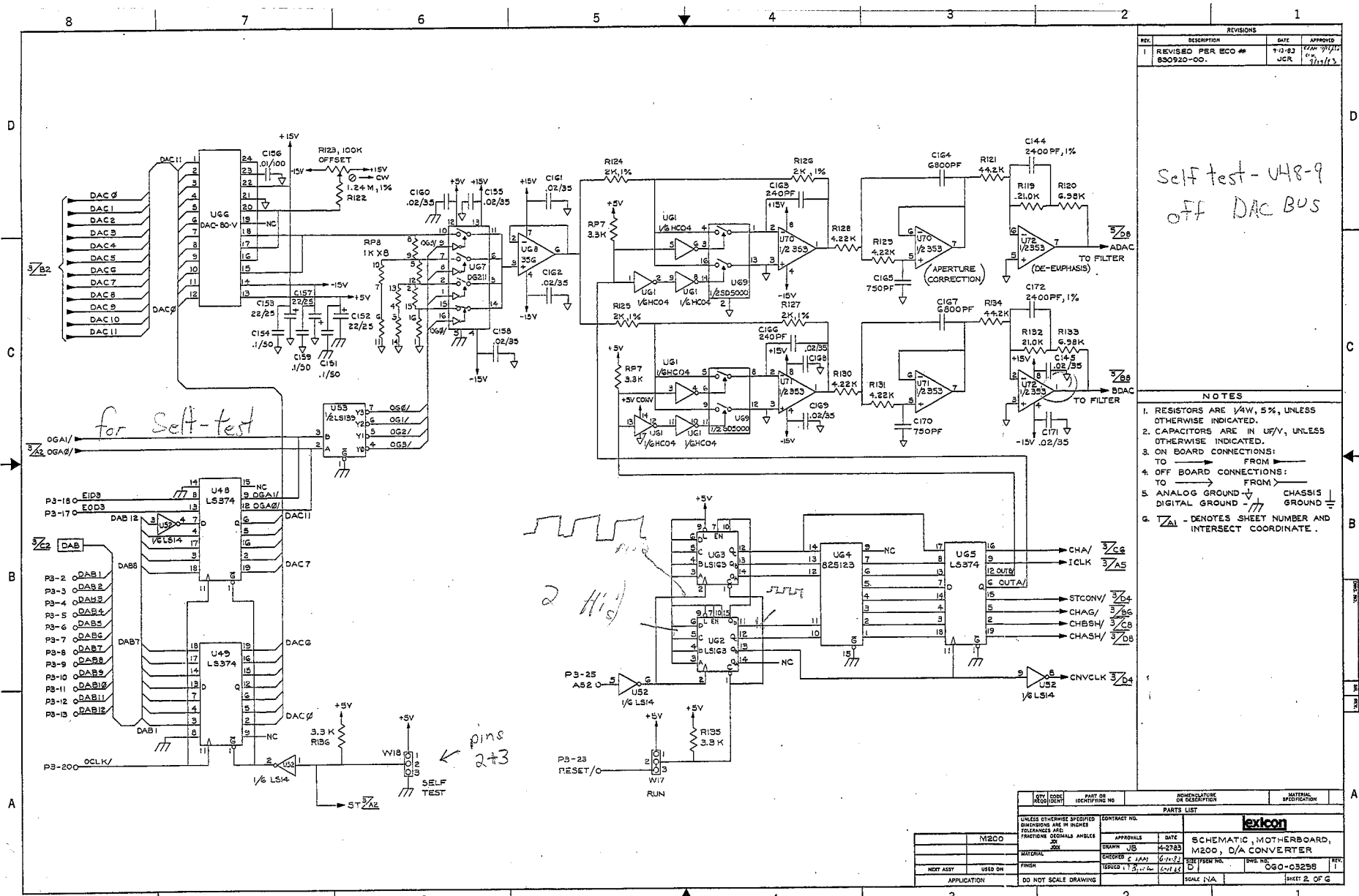
DWG. NO. SH. REV.



NMI Circuit

- Interrupts CPU
- Holds data on Roms when power goes down
- Mute cuts signal for 1/2 second till proper data is engaged

10,000,000



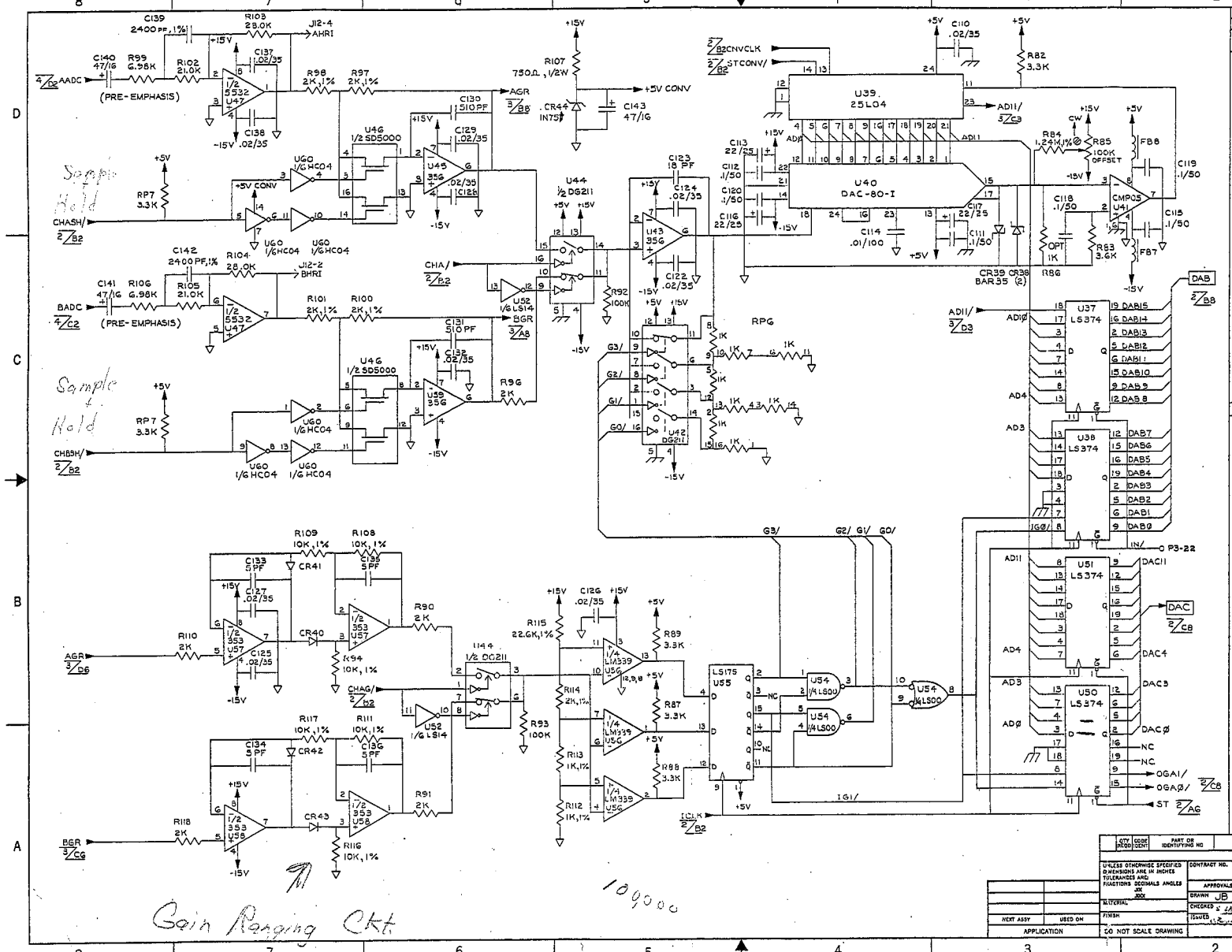
REVISIONS			
REV.	DESCRIPTION	DATE	APPROVED
1	REVISED PER ECO # 830920-00.	1-13-83	JGR

Self test - U48-9
off DAC BUS

- NOTES
1. RESISTORS ARE 1/4W, 5%, UNLESS OTHERWISE INDICATED.
 2. CAPACITORS ARE IN UF/V, UNLESS OTHERWISE INDICATED.
 3. ON BOARD CONNECTIONS: TO FROM
 4. OFF BOARD CONNECTIONS: TO FROM
 5. ANALOG GROUND ∇ CHASSIS GROUND ∇ DIGITAL GROUND ∇
 6. ∇ DENOTES SHEET NUMBER AND INTERSECT COORDINATE.

REV. (FORM IDENT)	PART OR IDENTIFYING NO.	QUANTITY	DESCRIPTION OR CHARACTER	MATERIAL SPECIFICATION
PARTS LIST				
UNLESS OTHERWISE SPECIFIED DIMENSIONS ARE IN INCHES TOLERANCES ARE FRACTIONS DECIMALS ANGLES				
CONTRACT NO. lexicon				
M200		APPROVALS	DATE	SCHMATIC, MOTHERBOARD, M200, D/A CONVERTER
DRAWN JB		CHECKED	DATE	
DESIGNED		DESIGNED	DATE	
NOT ASSY		USED ON	FINISH	SCALE 1:1
APPLICATION		DO NOT SCALE DRAWING	SCALE 1:1	SHEET 2 OF 6

REVISIONS			
REV.	DESCRIPTION	DATE	APPROVED
1	REVISED PER ECO # 850920-CO.	9/10/87	JCR

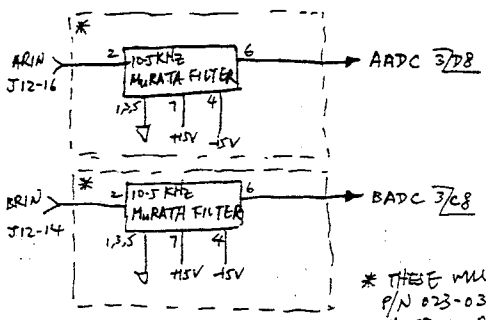
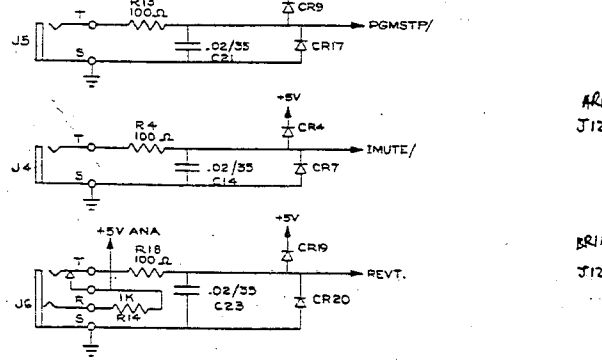
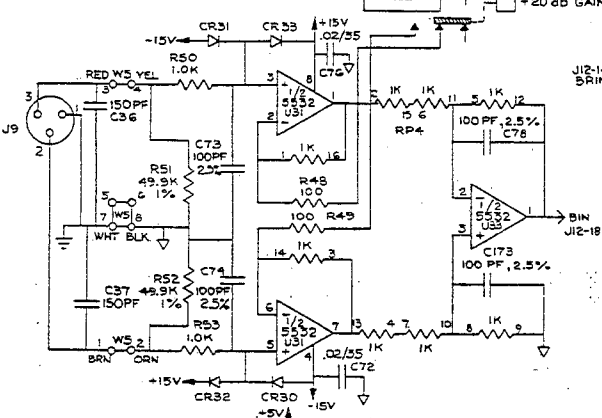
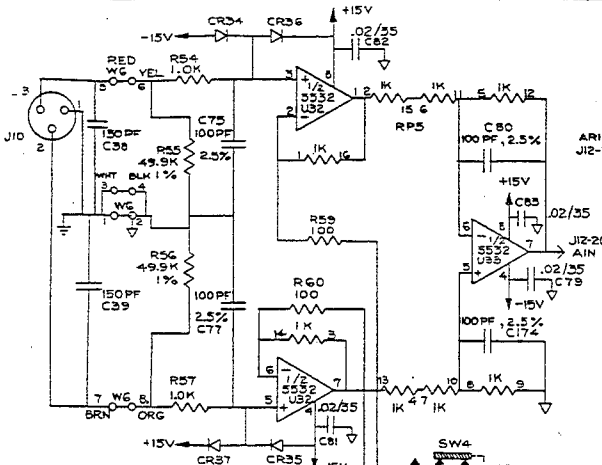
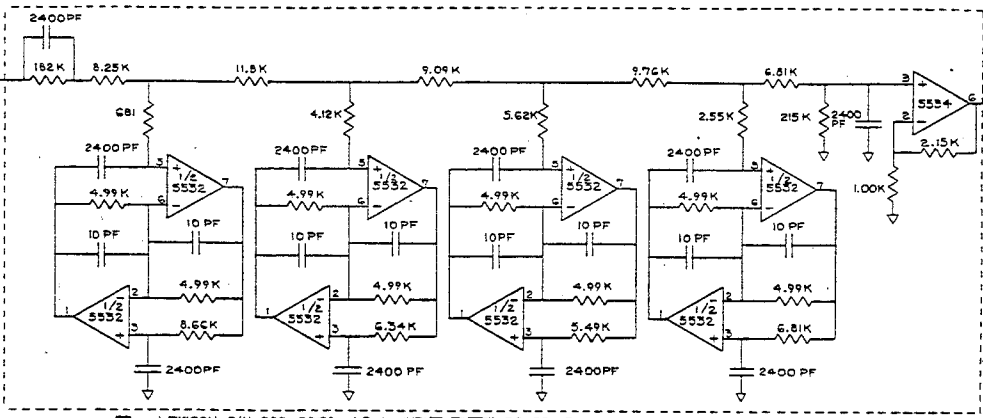
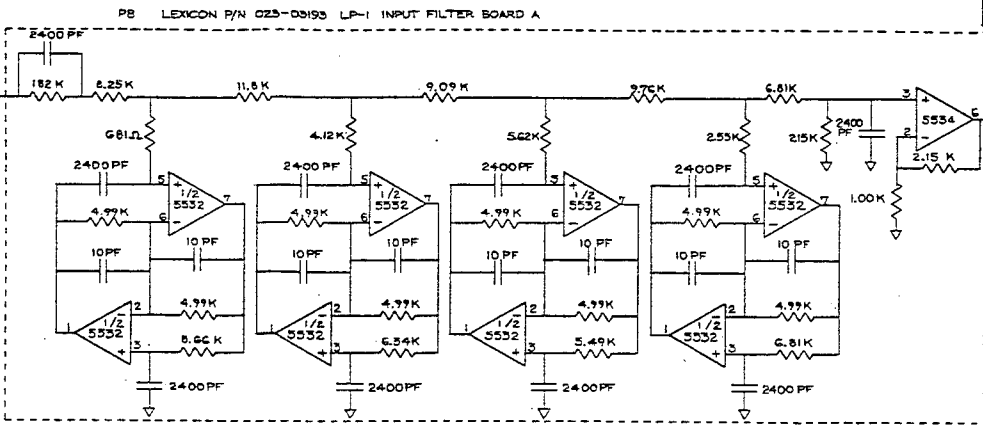


Self test U37, U38
off the Bus

Self test - U50, U51
Feed output DAC

REV. CODE	PART OR IDENTIFYING NO.	MANUFACTURER OR DESIGNATION	MATERIAL SPECIFICATION
PARTS LIST			
CONTRACT NO.		lexicon	
DRAWN		DATE	
CHECKED		DATE	
FINISH		DATE	
APPLICATION		SCALE	

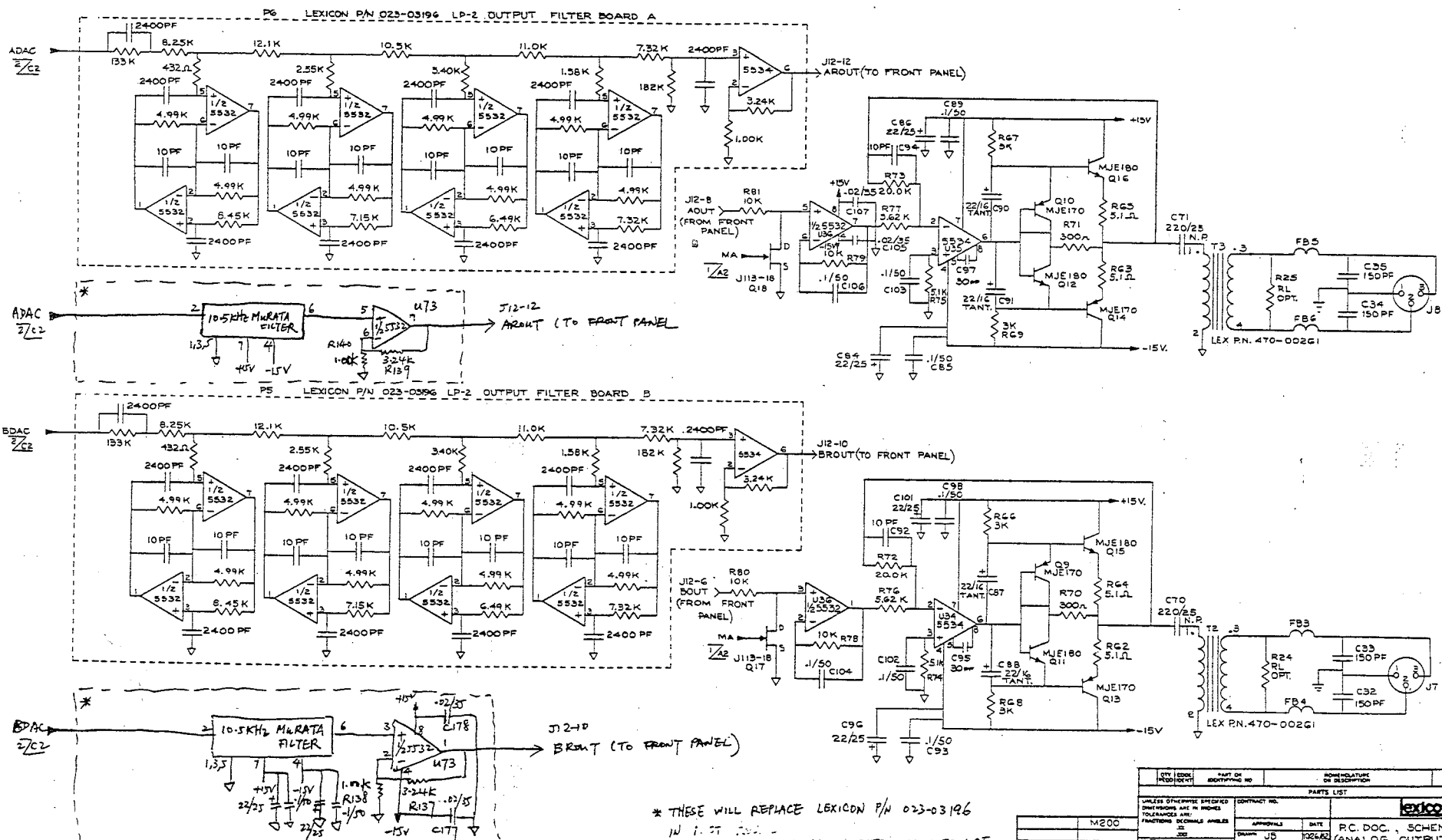
REVISIONS		
REV.	DESCRIPTION	DATE
1	REVISED PER ECO # R30920-00.	7-17-83
		JCR



* THESE WILL REPLACE LEXICON P/N 023-03193 IN UNITS WHERE MURATA FILTER MODULES ARE USED.

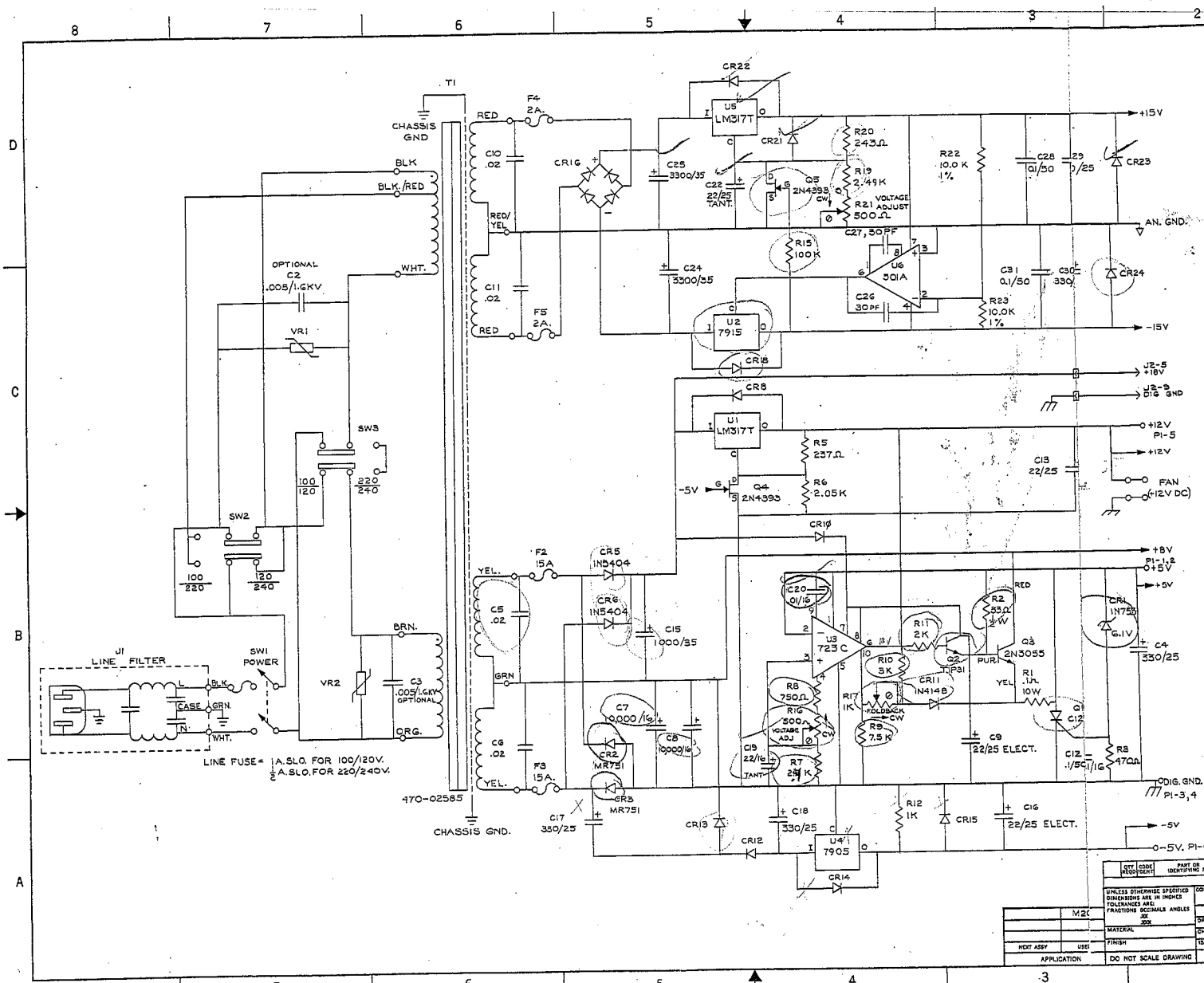
QTY	CODE	PART OR IDENTIFYING NO.	MANUFACTURE OR DESCRIPTION	MATERIAL SPECIFICATION
PARTS LIST				
UNLESS OTHERWISE SPECIFIED TOLERANCES ARE IN INCHES		CONTRACT NO.		
FUNCTIONAL DIMENSIONS ANGLES		APPROVALS		
MATERIAL		DATE		
M200		DRAWN JS 5-25-82		
M200		CHECKED C 11-12-82		
M200		DESIGNED BY 11-12-82		
M200		TRAINED BY 11-12-82		
M200		APPLICATION		
DO NOT SCALE DRAWING		NAME N.A.		
		R.C. DOC. SCHEMATIC		
		ANALOG INPUT, M200		
		DRAWING NO. 060-03298		
		SHEET 4 OF 6		

REV.	DESCRIPTION	DATE	APPROVED
1	DELETED C99 & C100 CHANGED C95 & C97 FROM 5PF TO 30PF	6-29-83 JTB 2-14-83	CA 8/14/83
2	REVISED PWR ECO W/ 680920-00.	1-0-83 JCR	PLAN 9/1/83 r.s. 12/1/83



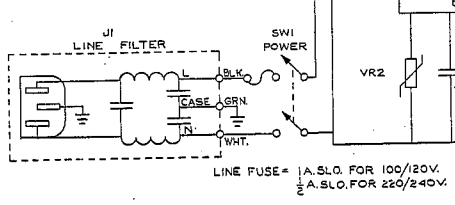
* THESE WILL REPLACE LEXICON P/N 023-03196
IN I. ST. -
UNITS WHERE MURATA FILTER MODULES ARE
USED.

QTY	CODE	PART NO	DESCRIPTION	MATERIAL SPECIFICATION
			PARTS LIST	
UNLESS OTHERWISE SPECIFIED DIMENSIONS ARE IN INCHES TOLERANCES ARE FRACTIONS DECIMALS ANGLES				
M200		CONTRACT NO.	lexicon	
DRAWN JTB		DATE	PC DOC. SCHEMATIC (ANALOG OUTPUT) M200.	
CHECKED S LAM		DATE	060-03298	
REWORK		DATE	2	
NEXT ASSY		USED ON	APPLICATION	
DO NOT SCALE DRAWING		SCALE N.A.		SHEET 5 OF 6

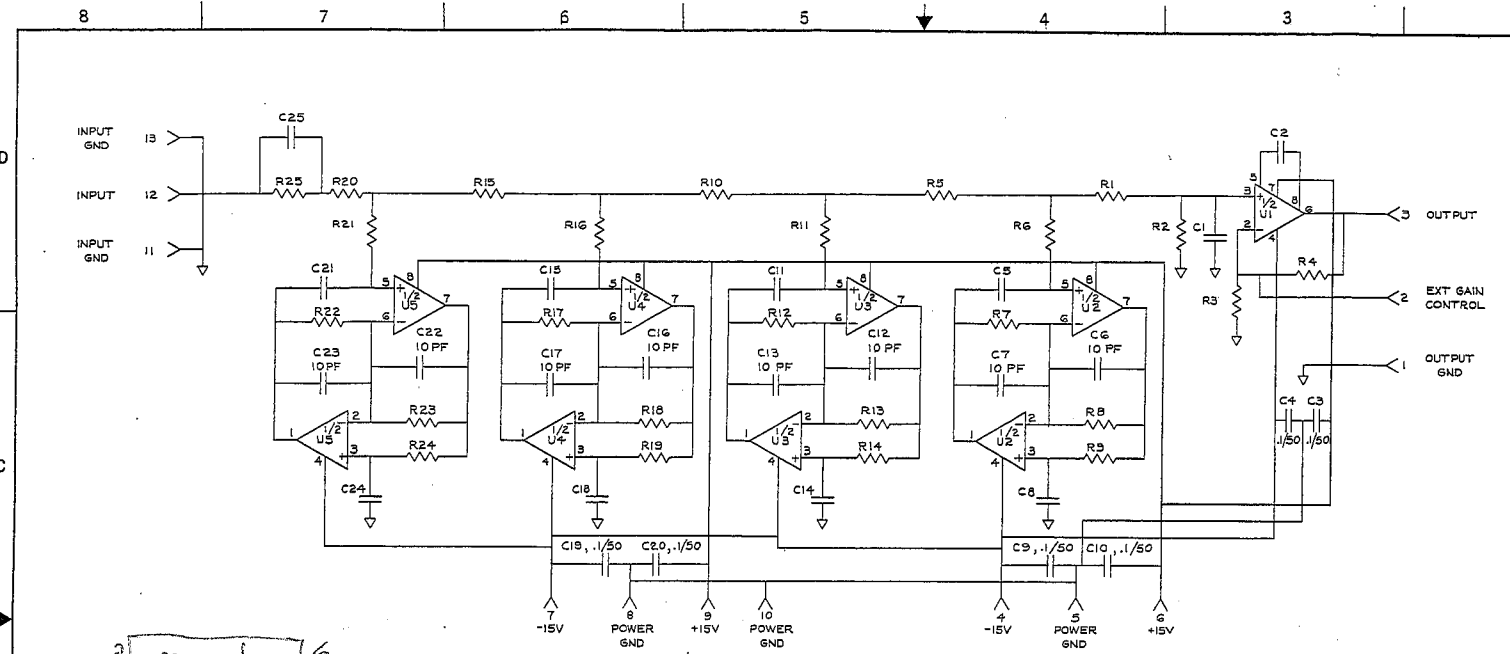


REVISIONS	
REV.	DESCRIPTION
1	REVISED PER ECO # 850950-00.

- NOTES**
1. RESISTORS ARE 1/4 W, 5% UNLESS OTHERWISE INDICATED.
 2. CAPACITOR VALUES ARE IN μ F/VOLTS UNLESS OTHERWISE INDICATED.
 3. DIODES ARE IN4004 UNLESS OTHERWISE INDICATED.



QTY	CODE	PART OR IDENTIFYING NO	NOMENCLATURE OR DESCRIPTION	MATERIAL SPECIFICATION
			lexicon	
	M2C		APPROVALS	DATE
			DESIGN	7/2/62
			DRAWN	JB
			CHECKED	S LAM
			ISSUED	1/25/62
			SCALE	NA
			CONTRACT NO.	
			P.C.DOC., SCHEMATIC	
			POWER SUPPLY, M200	
			DWG. NO.	060-03298 11
			REV.	
			INVT	G.O.F.G.



Murata
 1, 3, 5 (+15V) - (-15V)

REFERENCE DESIGNATION	COMPONENT VALUE TABLE			
	M200 INPUT	M200 OUTPUT	M1800 INPUT	M1800 OUTPUT
C5, C6, C11, C14, C15, C18, C21, C24	2400PF, 2 1/2%	2400PF, 2 1/2%	1200PF, 2 1/2%	1200PF, 2 1/2%
C2	OPTIONAL	OPTIONAL	OPTIONAL	OPTIONAL
R1	6.81K	7.32K	6.81K	7.32K
R2	215K	182K	215K	182K
R3	1.00K	1.00K	1.00K	1.00K
R4	2.15K	3.24K	4.22K	2.19K
R5	9.76K	11.0K	9.76K	11.0K
R6	2.55K	1.58K	2.55K	1.58K
R7, R8, R12, R17, R18, R22, R23	4.99K	4.99K	4.99K	4.99K
R9	6.81K	7.32K	6.81K	7.32K
R10	9.09K	10.5K	9.09K	10.5K
R11	5.62K	3.40K	5.62K	3.40K
R14	6.49K	6.49K	6.49K	6.49K
R15	11.8K	15.1K	11.8K	15.1K
R16	4.12K	2.55K	4.12K	2.55K
R19	5.34K	7.15K	6.24K	7.15K
R20	8.25K	8.25K	8.25K	8.25K
R21	681Ω	432Ω	681Ω	432Ω
R24	8.66K	8.45K	8.66K	8.45K
R25	152K	152K	152K	152K
U1	5532	5534	5534	5534
U2, U3, U4, U5	5532	5532	5532	5532
C1, C25	2400PF, 1%	2400PF, 1%	1200PF, 1%	1200PF, 1%

REVISIONS			
REV.	DESCRIPTION	DATE	APPROVED
1	M1800 INPUT R4 W2.15K 15 NOV 4.22 K	6-29-83	D. J. C. 4/2/83
2	REVISED PER ECO # 830920-00.	7-0-83	JCR 12/17/83
3	REVISED PER ECO # 830928-01.	11/3/83	JCR 12/17/83

- NOTES
- UNLESS OTHERWISE INDICATED, RESISTORS ARE 1%, 1/8W.
 - UNLESS OTHERWISE INDICATED, CAPACITOR VALUES ARE UF/V.
 - DIGITAL GROUND // ANALOG GROUND ↓ CHASSIS GROUND ⊥
 - ← PLUG CONNECTION
— RECEPTACLE CONNECTION
 - COMPONENT VALUES ARE LISTED IN COMPONENT VALUE TABLE FOR EACH APPROPRIATE USE IN A PRODUCT, UNLESS ALREADY SPECIFIED IN SCHEMATIC.

QTY	CODE	PART OR IDENTIFYING NO	DESCRIPTION OF DESCRIPTION	MATERIAL SPECIFICATION
			PARTS LIST	
			lexicon	
			P.C. DOC. SCHEMATIC, FILTER BOARD, 9 POLE, FOUR	
			DRAWN: JCS 3-4-83	
			CHECKED: JAJ 1-8-83	
			ISSUED: JS 1-8-83	
			SCALE: NA	
			SHEET 1 OF 1	

5

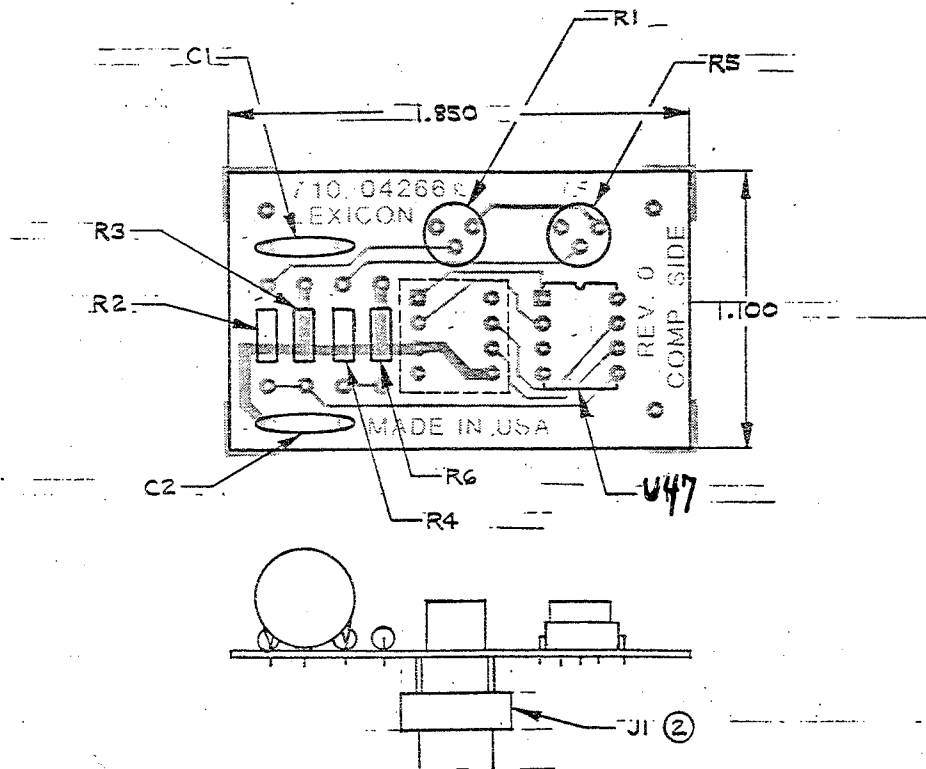
4

DWG. NO.

SH. REV.

1

REVISIONS			
REV.	DESCRIPTION	DATE	APPROVED
Ø	RELEASED FOR PROD.	3/7/85	<i>J. C. C.</i>



NOTES

- REFER TO LEXICON B.O.M. #024-04314
- INSERT J1 FROM SOLDER SIDE WITH LARGER LEADS BEING FLUSH TO THE COMPONENT SIDE, WHILE LEAVING A SPACE BETWEEN J1 AND THE SOLDER SIDE, AS SHOWN.

QTY REQD	CODE IDENT	PART OR IDENTIFYING NO	NOMENCLATURE OR DESCRIPTION	MATERIAL SPECIFICATION
PARTS LIST				
UNLESS OTHERWISE SPECIFIED DIMENSIONS ARE IN INCHES TOLERANCES ARE: FRACTIONS DECIMALS ANGLES XX .XXX			CONTRACT NO.	lexicon MAR 8 1985
MATERIAL		APPROVALS	DATE	M200 / OFFSET TRIM ASSEMBLY DRAWING
FINISH		CHECKED	ISSUED	SIZE B FSCM NO. DWG. NO. 080-04269 REV. Ø
NEXT ASSY	USED ON	APPLICATION		SCALE 2X SHEET 1 of 1
		DO NOT SCALE DRAWING		

A

A

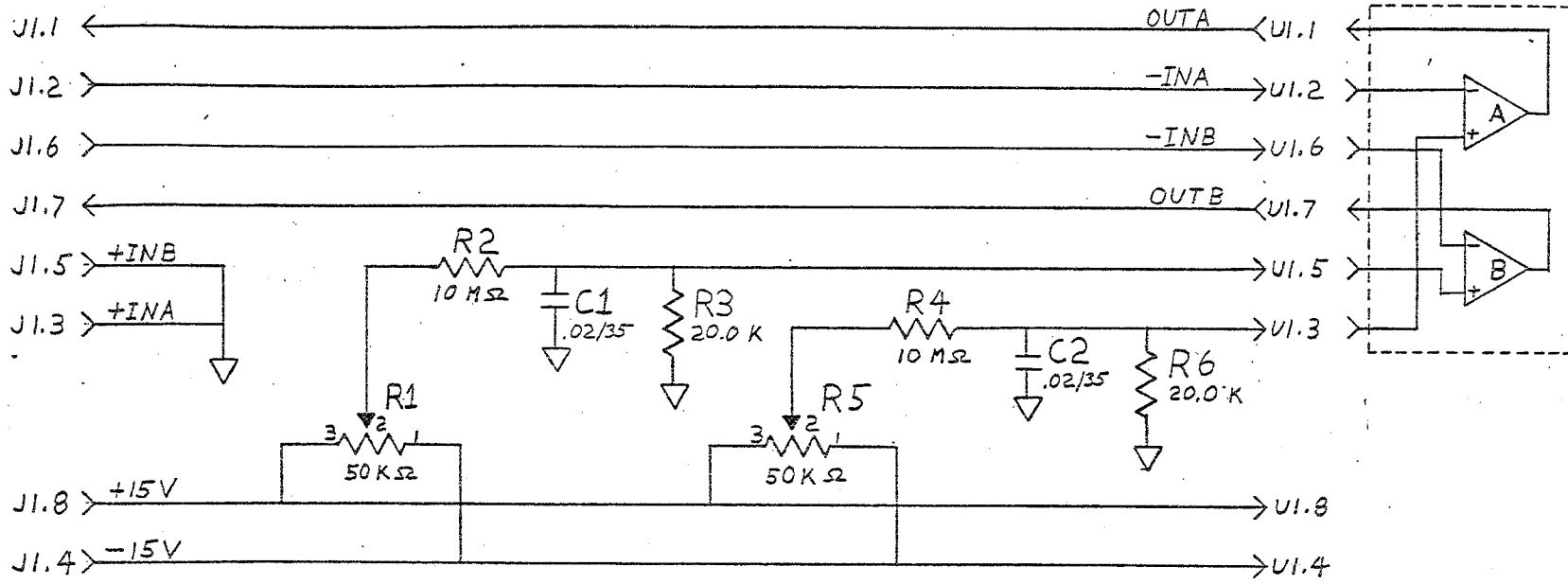
5

4

DWG. NO. ISL REV.

1

REVISIONS			
REV.	DESCRIPTION	DATE	APPROVED
Ø	RELEASED FOR PROD.	2/21/85	J. Curtin



QTY REQD	CODE IDENT	PART OR IDENTIFYING NO	NOMENCLATURE OR DESCRIPTION	MATERIAL SPECIFICATION
PARTS LIST				
UNLESS OTHERWISE SPECIFIED DIMENSIONS ARE IN INCHES. TOLERANCES ARE: FRACTIONS DECIMALS ANGLES .XX .XXX .XXX			CONTRACT NO. lexicon PAR 8 1985	
MATERIAL			APPROVALS	DATE
NEXT ASSY			CHECKED <i>JRC</i>	2/24/85
USED ON			ISSUED	
APPLICATION			SIZE B	FSCM NO.
DO NOT SCALE DRAWING			DWG. NO. 060-04270	REV. Ø
			SCALE <i>N</i>	SHEET 1 of 1