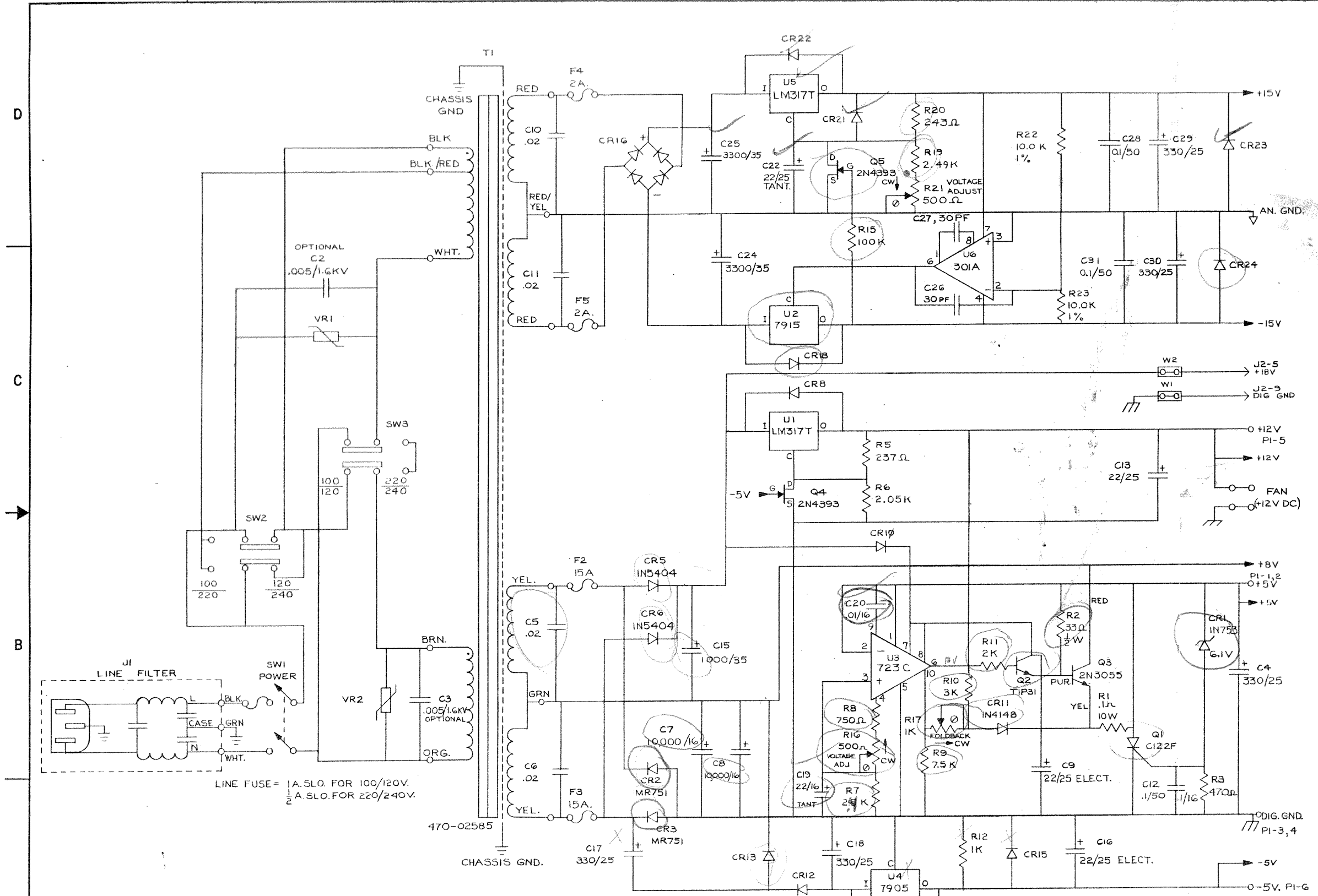


REVISIONS			
REV.	DESCRIPTION	DATE	APPROVE
1	REVISED PER ECO # 830920-00.	1-13-83 JCR	CJM 1/16 12/1/83



NOTES

1. RESISTORS ARE 1/4 W, 5% UNLESS OTHERWISE INDICATED.
2. CAPACITOR VALUES ARE IN μ F/VOLTS UNLESS OTHERWISE INDICATED.
3. DIODES ARE IN4004 UNLESS OTHERWISE INDICATED.

LINE FUSE = 1A. SLO. FOR 100/120V.
1/2 A. SLO. FOR 220/240V.

QTY	CODE	PART OR IDENTIFYING NO	NOMENCLATURE OR DESCRIPTION	MATERIAL SPECIFICATION
PARTS LIST				
UNLESS OTHERWISE SPECIFIED DIMENSIONS ARE IN INCHES TOLERANCES ARE: FRACTIONS DECIMALS ANGLES .XX .XXX .XXX				
M200		CONTRACT NO.		
NEXT ASSY		APPROVALS		
USED ON		DATE		
APPLICATION		DRAWN JEB 10/25/82		
DO NOT SCALE DRAWING		CHECKED S LAM 6/18/83		
		ISSUED 8/1/83		
		SCALE NA		
		SHEET 6 OF 6		

lexicon
P.C. DOC., SCHEMATIC POWER SUPPLY, M200
DWG. NO. 060-03298
REV. 1