

REVISIONS			
REV	DESCRIPTION	DRAFTER	Q.C. AUTH.
1	REVISED PER DCR 001002-00	RWH 10/4/00	CW 10/17/00
2	REVISED PER DCR 001109-00	CAM 10/12/00	JLM 10/17/00
3	REVISED SHT 8 PER DCR 001227-00-A. REVISED SHT 1 PER DCR 001228-00.	RWH 11/10/00 JV 12/15/00	CW 12/27/00 JLM 12/15/00

SPARES

NOTES

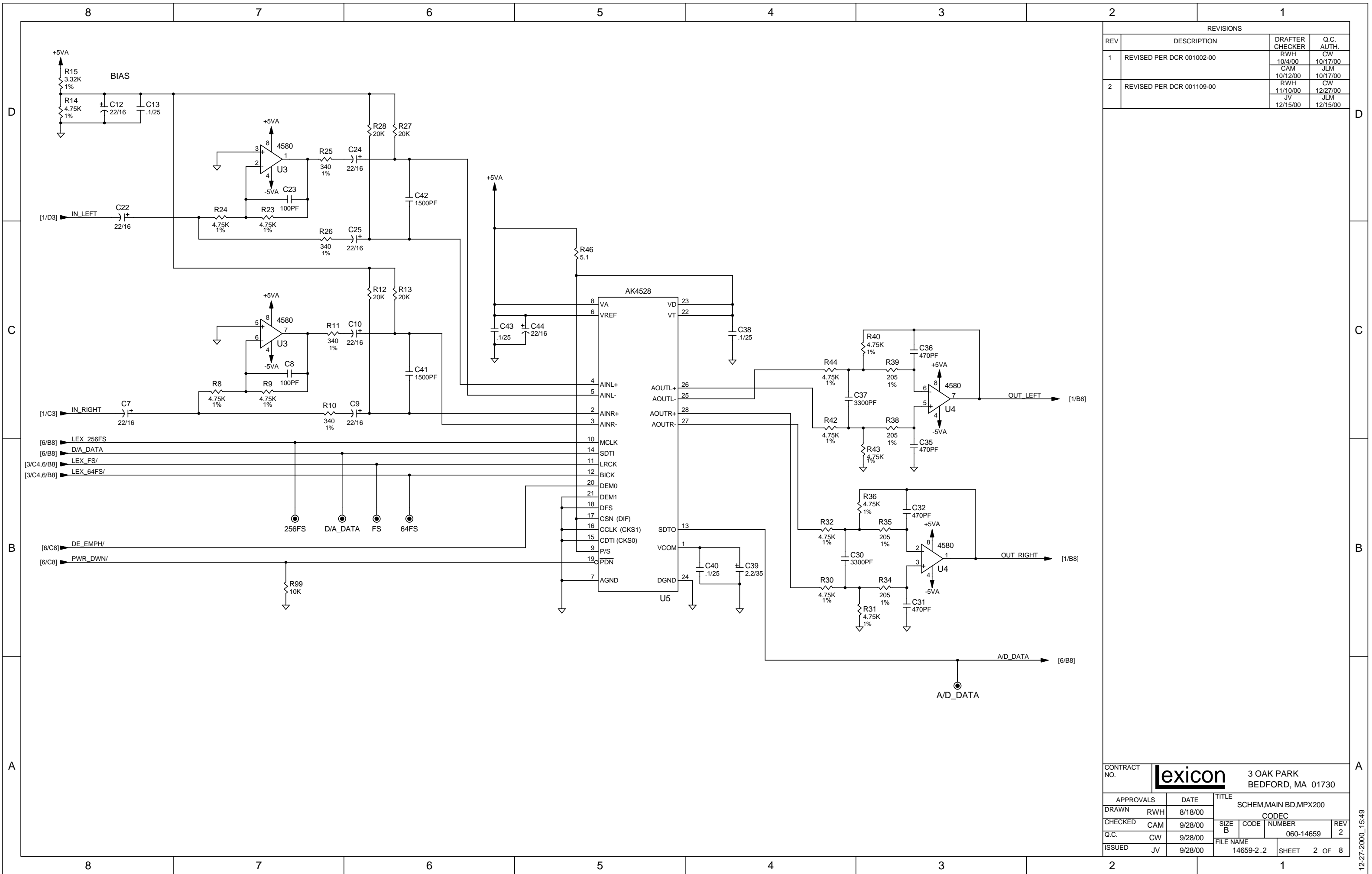
- UNLESS OTHERWISE INDICATED, RESISTORS ARE 1/10W
- UNLESS OTHERWISE INDICATED, RESISTORS ARE 5%
- UNLESS OTHERWISE INDICATED, CAPACITORS ARE UFV
- DIGITAL GROUND ANALOG GROUND CHASSIS GROUND POWER GROUND
- [XX/XX] DENOTES [SHEET NUMBER/SECTOR]
- LAST REFERENCE DESIGNATORS USED: C114, D11, FB4, J12, Q4, R148, SW2, T1, U25, Y1.
- COMPONENTS MARKED WITH * ARE NOT INSTALLED.

DOCUMENT CONTROL BLOCK: #060-14659		
SHEET NUMBER	REVISION NUMBER	TITLE
1 OF 8	3	ANALOG I/O
2 OF 8	2	CODEC
3 OF 8	2	S/PDIF INTERFACE
4 OF 8	2	CONTROL I/O & RESET
5 OF 8	2	ROM/RAM, uPROC
6 OF 8	2	LEXICHIP3
7 OF 8	2	REGULATORS & BYPASS CAPS
8 OF 8	3	POWER TRANSFORMER

POTENTIOMETER

© 2001 Lexicon, Inc.

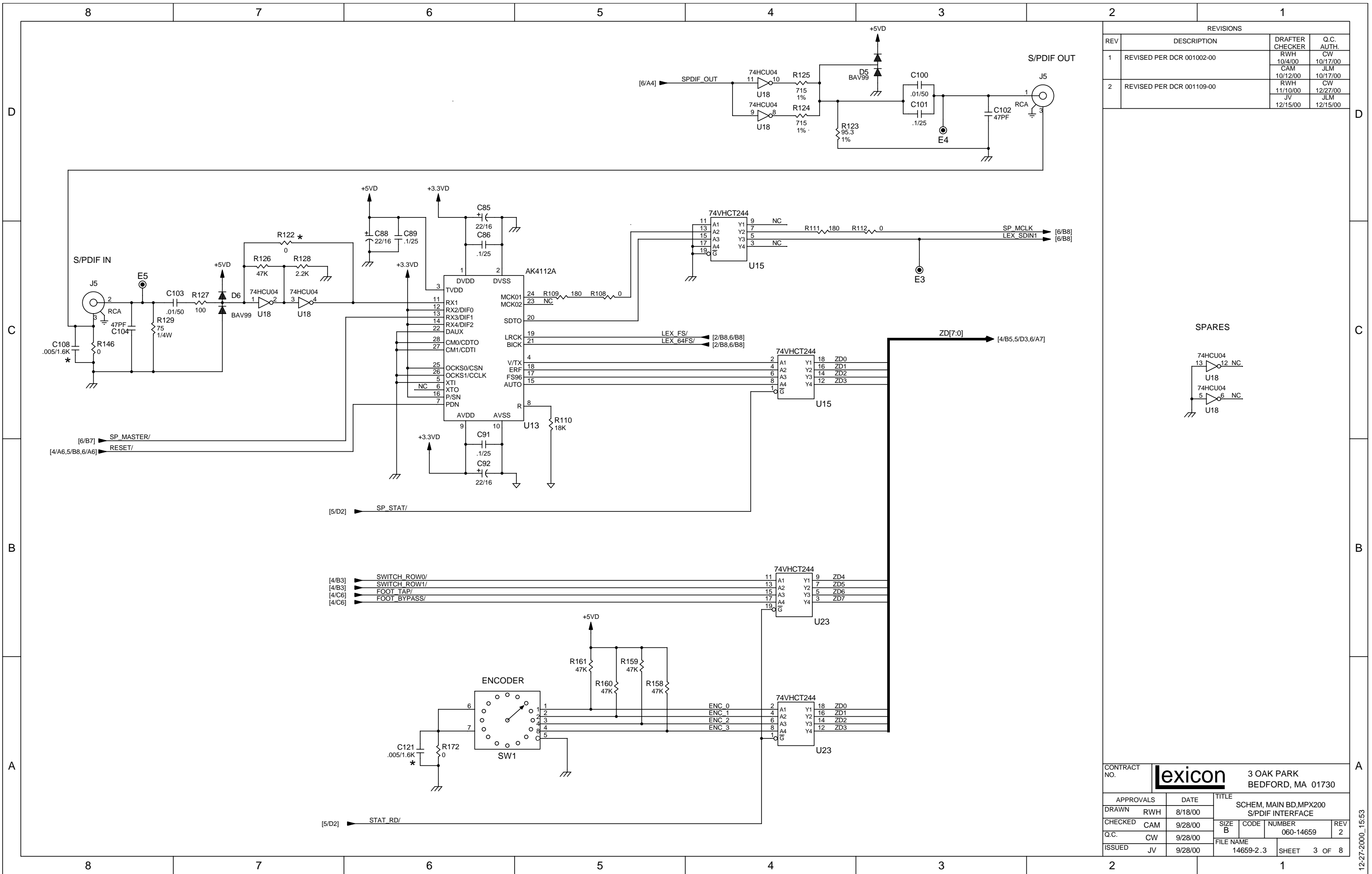
CONTRACT NO.	lexicon	3 OAK PARK BEDFORD, MA 01730
APPROVALS	DATE	TITLE
DRAWN RWH	8/18/00	SCHEM,MAIN BD,MPX200
CHECKED CAM	9/28/00	ANALOG I/O
Q.C. CW	9/28/00	SIZE B CODE NUMBER 060-14659 REV 3
ISSUED JV	9/28/00	FILE NAME 14659-3.1 SHEET 1 OF 8



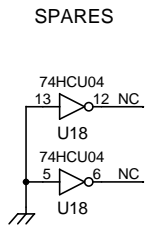
REVISIONS			
REV	DESCRIPTION	DRAFTER	Q.C. AUTH.
1	REVISED PER DCR 001002-00	RWH 10/4/00 CAM 10/12/00	CW JLM 10/17/00 JLM 10/17/00
2	REVISED PER DCR 001109-00	RWH 11/10/00 JV 12/15/00	CW 12/27/00 JLM 12/15/00

CONTRACT NO.		lexicon		3 OAK PARK BEDFORD, MA 01730	
APPROVALS	DATE	TITLE			
DRAWN	RWH	8/18/00	SCHEM,MAIN BD,MPX200		
CHECKED	CAM	9/28/00	CODEC		
Q.C.	CW	9/28/00	SIZE B	CODE NUMBER	REV 2
ISSUED	JV	9/28/00	FILE NAME	060-14659	
			14659-2.2	SHEET 2 OF 8	

12-27-2000_15:49

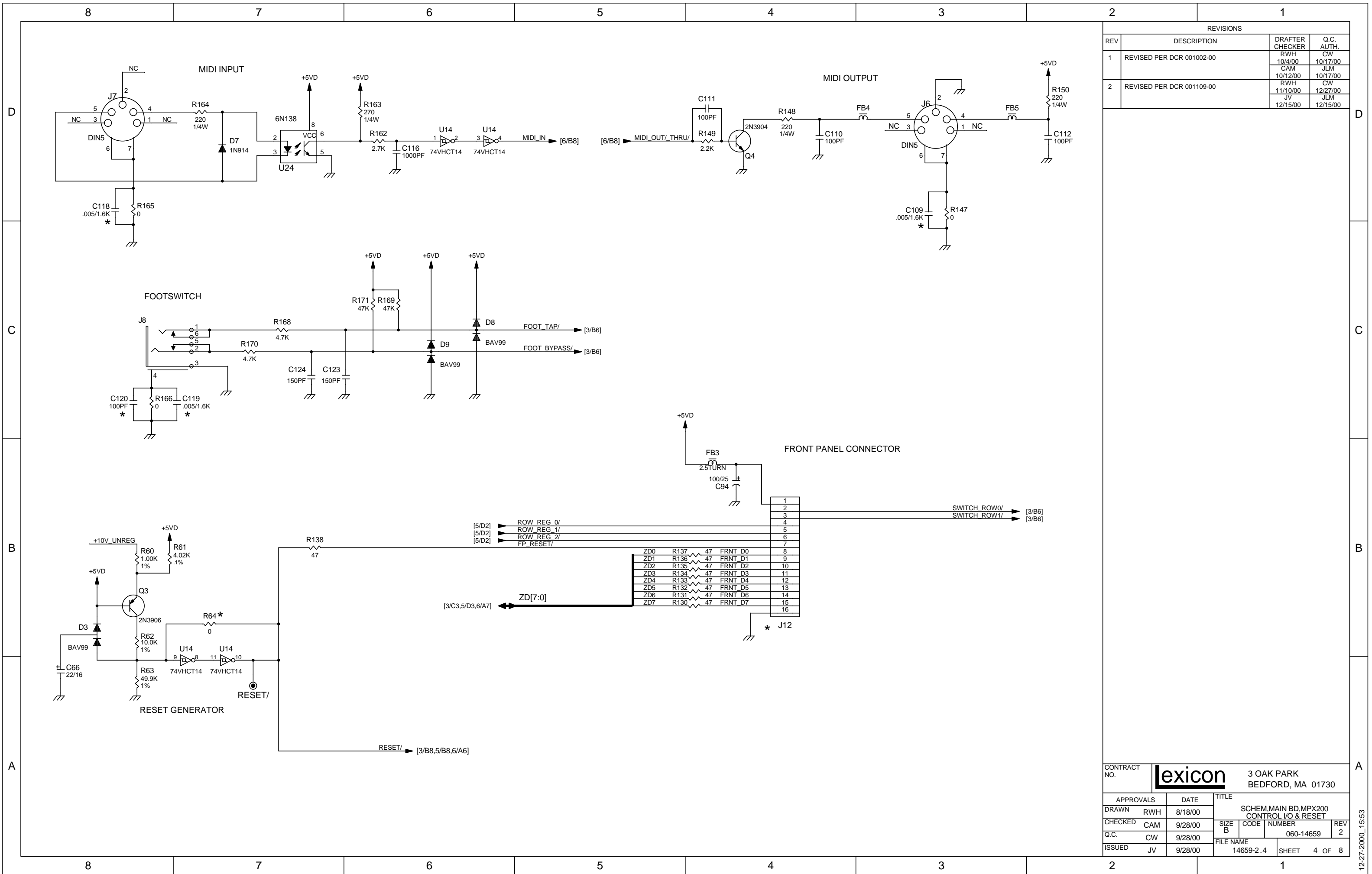


REVISIONS			
REV	DESCRIPTION	DRAFTER	Q.C. AUTH.
1	REVISED PER DCR 001002-00	RWH 10/4/00 CAM 10/12/00	CW 10/17/00 JLM 10/17/00
2	REVISED PER DCR 001109-00	RWH 11/10/00 JV 12/15/00	CW 12/27/00 JLM 12/15/00



CONTRACT NO.		lexicon		3 OAK PARK BEDFORD, MA 01730	
APPROVALS	DATE	TITLE			
DRAWN	RWH	8/18/00	SCHEM, MAIN BD, MPX200 S/PDIF INTERFACE		
CHECKED	CAM	9/28/00	SIZE	CODE	NUMBER
Q.C.	CW	9/28/00	B		060-14659
ISSUED	JV	9/28/00	FILE NAME	REV	
			14659-2.3	2	
			SHEET	3 OF 8	

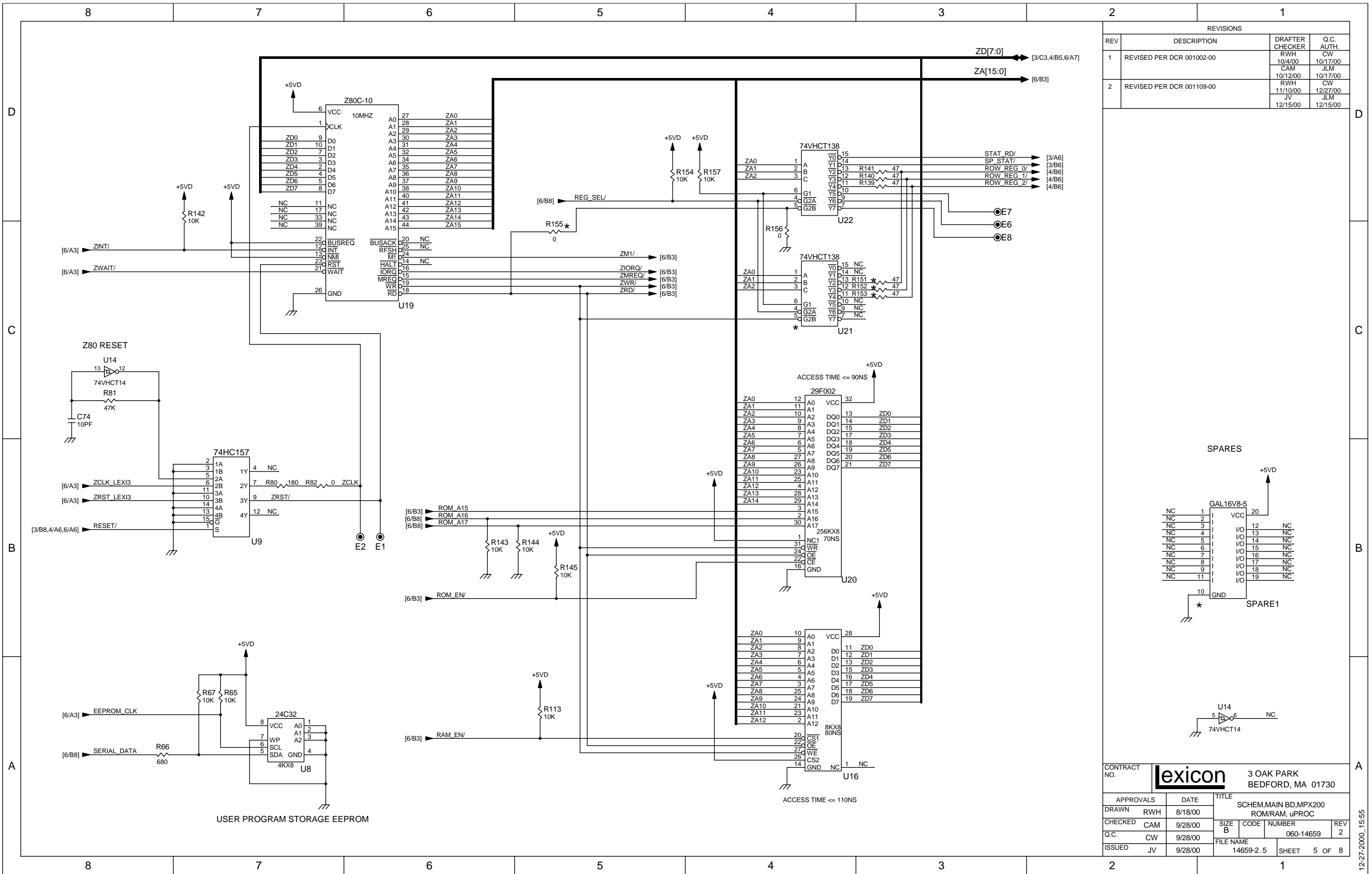
12-27-2000_15:53



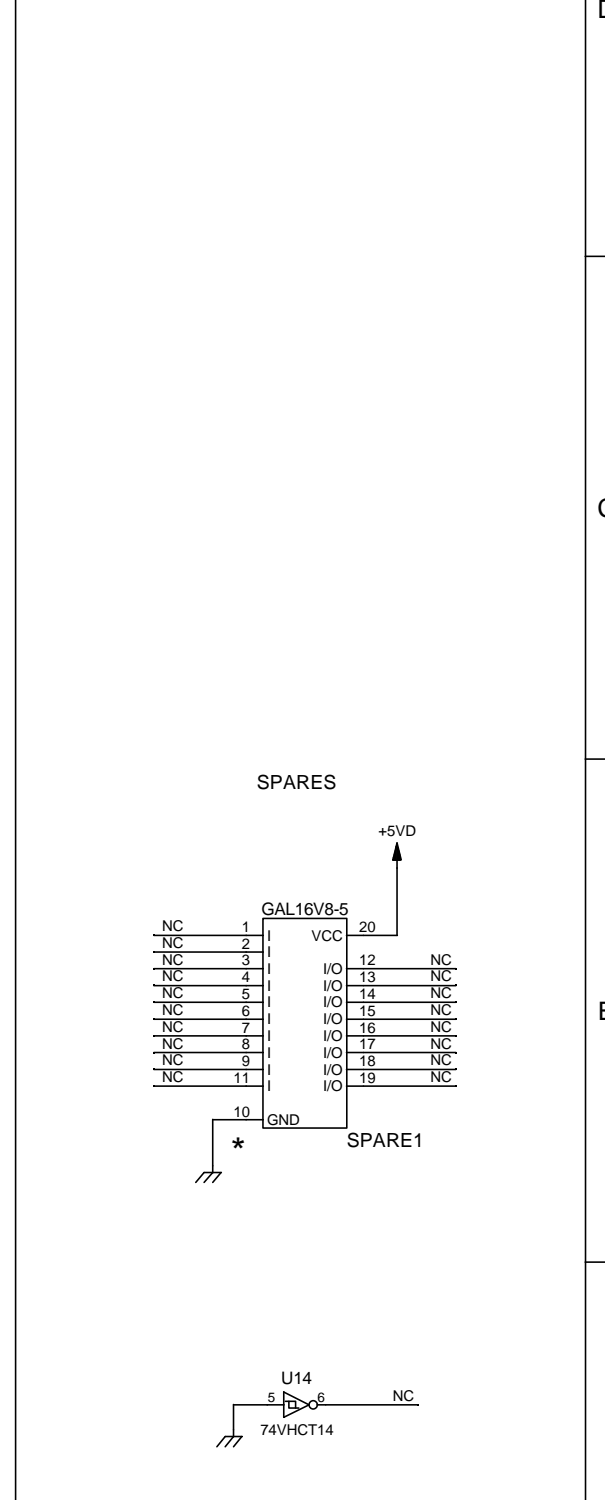
REVISIONS			
REV	DESCRIPTION	DRAFTER CHECKER	Q.C. AUTH.
1	REVISED PER DCR 001002-00	RWH 10/4/00 CAM 10/12/00	CW JLM 10/17/00
2	REVISED PER DCR 001109-00	RWH 11/10/00 JV 12/15/00	CW JLM 12/27/00

CONTRACT NO.		lexicon		3 OAK PARK BEDFORD, MA 01730	
APPROVALS	DATE	TITLE			
DRAWN RWH	8/18/00	SCHEM.MAIN BD.MPX200 CONTROL I/O & RESET			
CHECKED CAM	9/28/00	SIZE B	CODE	NUMBER	REV
Q.C. CW	9/28/00			060-14659	2
ISSUED JV	9/28/00	FILE NAME	SHEET 4 OF 8		
		14659-2.4			

12-27-2000_15:53

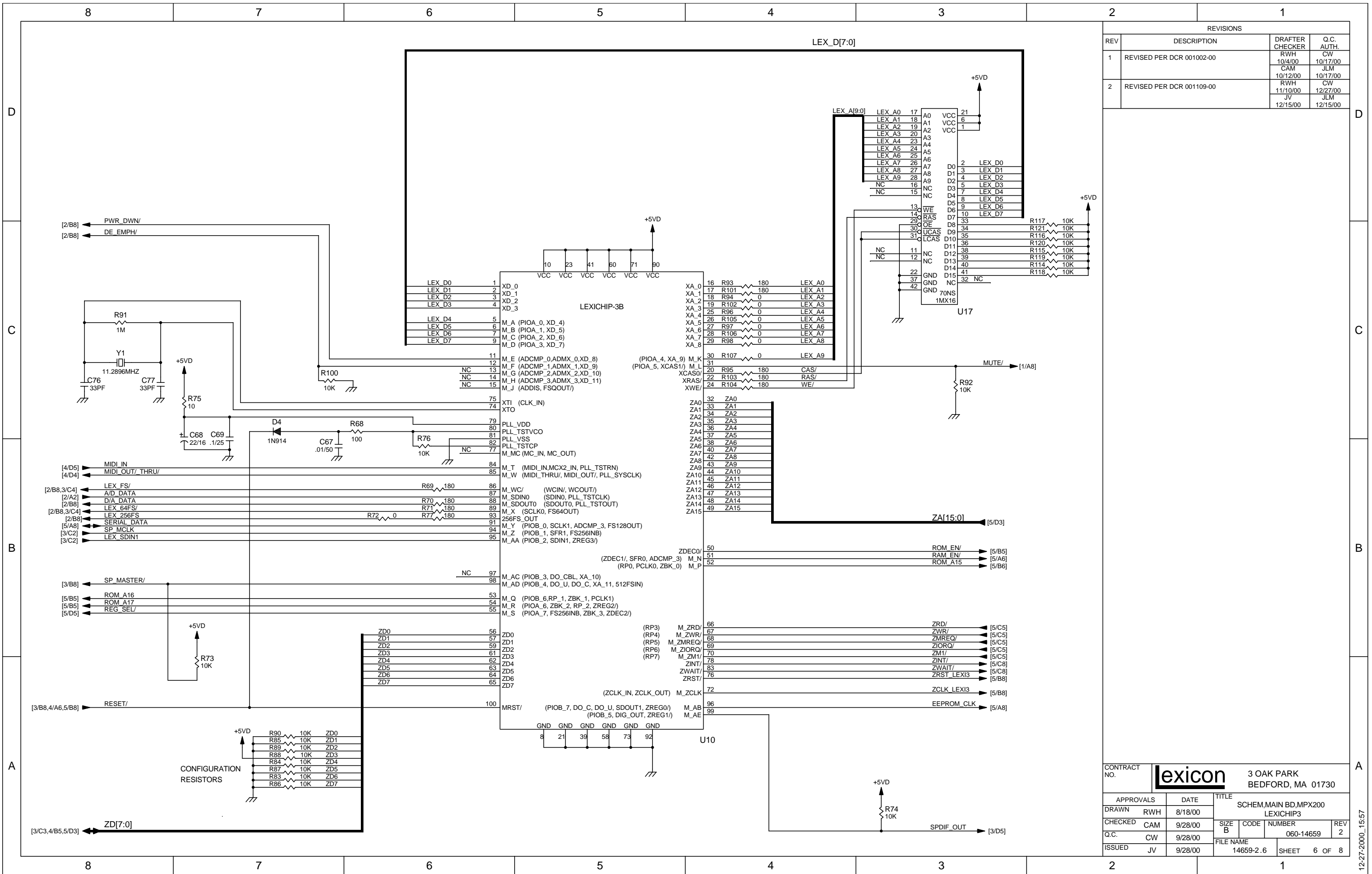


REVISIONS			
REV	DESCRIPTION	DRAFTER	Q.C. AUTH.
1	REVISED PER DCR 001002-00	RWH 10/4/00 CAM 10/12/00	CW 10/17/00 JLM 10/12/00
2	REVISED PER DCR 001109-00	RWH 11/10/00 JV 12/15/00	CW 12/27/00 JLM 12/15/00



CONTRACT NO.		lexicon		3 OAK PARK BEDFORD, MA 01730	
APPROVALS	DATE	TITLE			
DRAWN RWH	8/18/00	SCHEM,MAIN BD,MPX200			
CHECKED CAM	9/28/00	ROM/RAM, uPROC			
Q.C. CW	9/28/00	SIZE B	CODE	NUMBER	REV 2
ISSUED JV	9/28/00	FILE NAME		060-14659	
		14659-2.5		SHEET 5 OF 8	

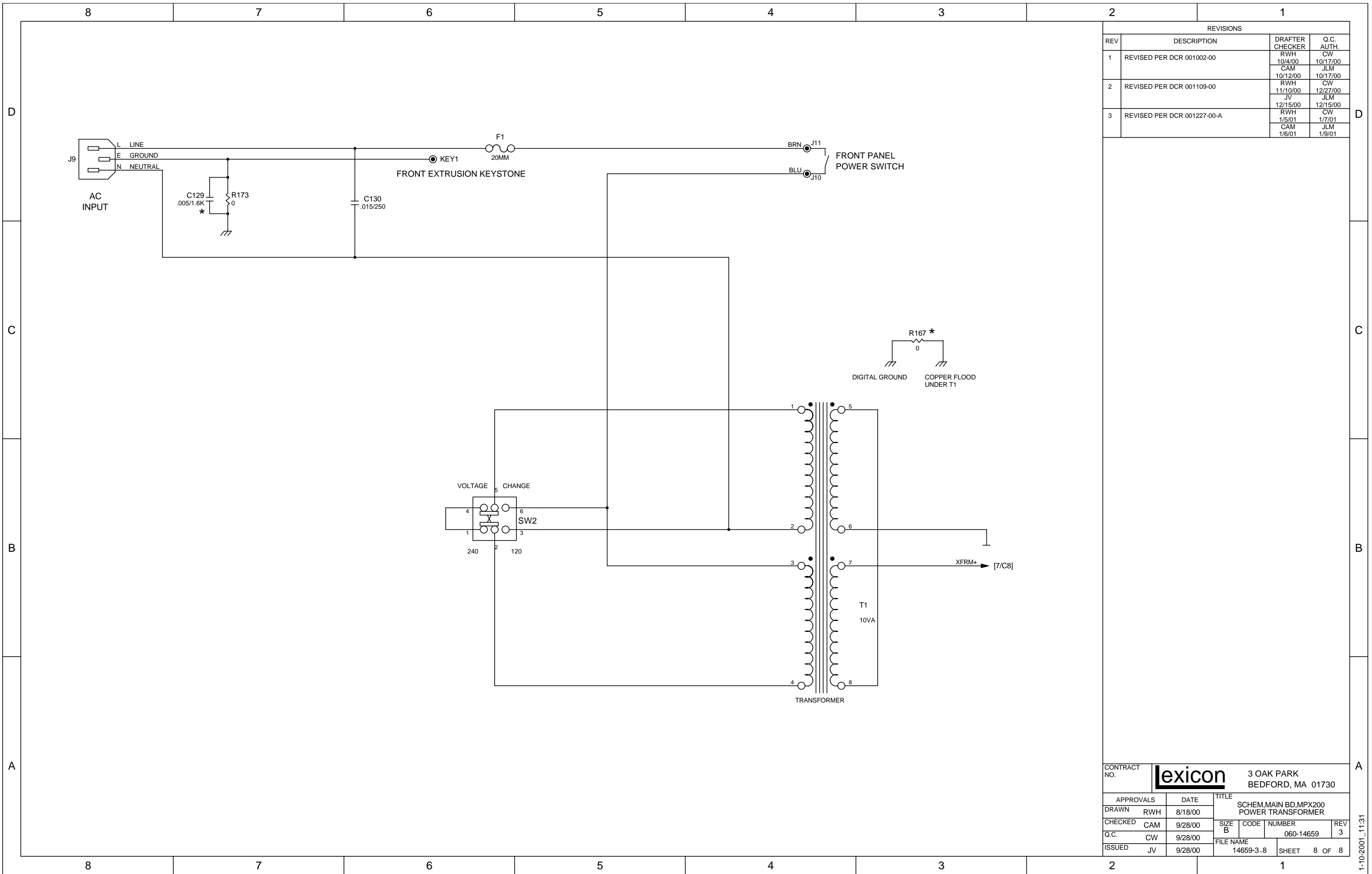
12-27-2000_15:55



REVISIONS			
REV	DESCRIPTION	DRAFTER	Q.C. AUTH.
1	REVISED PER DCR 001002-00	RWH 10/4/00 CAM 10/12/00	CW 10/17/00 JLM 10/17/00
2	REVISED PER DCR 001109-00	RWH 11/10/00 JV 12/15/00	CW 12/27/00 JLM 12/15/00

CONTRACT NO.		lexicon		3 OAK PARK BEDFORD, MA 01730	
APPROVALS	DATE	TITLE			
DRAWN	RWH	SCHEM,MAIN BD,MPX200 LEXICHIP3			
CHECKED	CAM	SIZE	CODE	NUMBER	REV
Q.C.	CW	B		060-14659	2
ISSUED	JV	FILE NAME		SHEET	
		14659-2.6		6 OF 8	

12-27-2000_15:57



REVISIONS			
REV	DESCRIPTION	DRAFTER CHECKER	Q.C. AUTH.
1	REVISED PER DCR 001002-00	RWH 10/4/00 CAM 10/12/00	CW 10/17/00 JLM 10/17/00
2	REVISED PER DCR 001109-00	RWH 11/10/00 JV 12/15/00	CW 12/27/00 JLM 12/15/00
3	REVISED PER DCR 001227-00-A	RWH 1/5/01 CAM 1/6/01	CW 1/7/01 JLM 1/9/01

CONTRACT NO.		lexicon		3 OAK PARK BEDFORD, MA 01730	
APPROVALS	DATE	TITLE			
DRAWN RWH	8/18/00	SCHEM.MAIN BD,MPX200 POWER TRANSFORMER			
CHECKED CAM	9/28/00	SIZE B	CODE	NUMBER	REV
Q.C. CW	9/28/00			060-14659	3
ISSUED JV	9/28/00	FILE NAME		SHEET 8 OF 8	
		14659-3.8			

1-10-2001_11:31