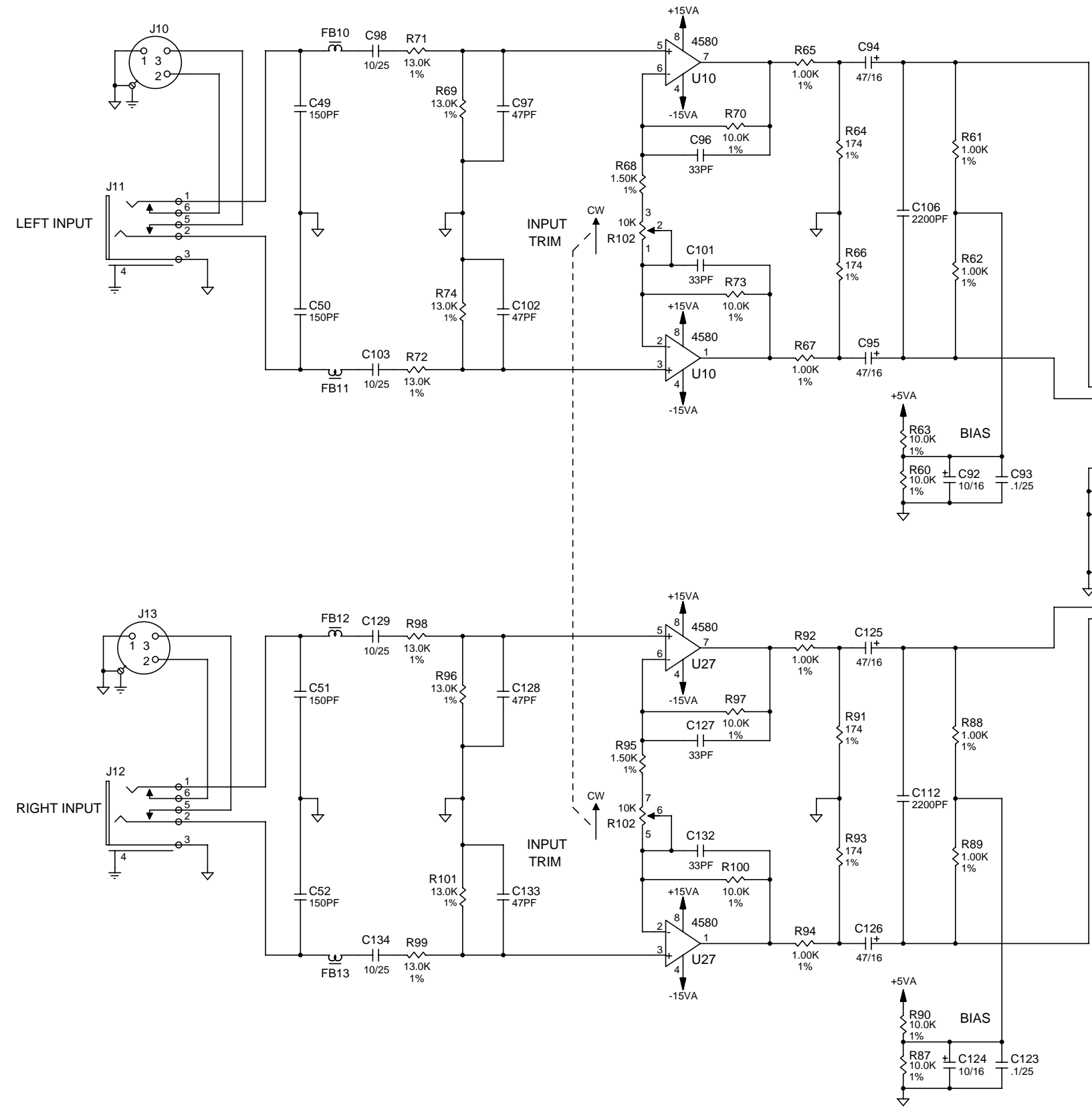
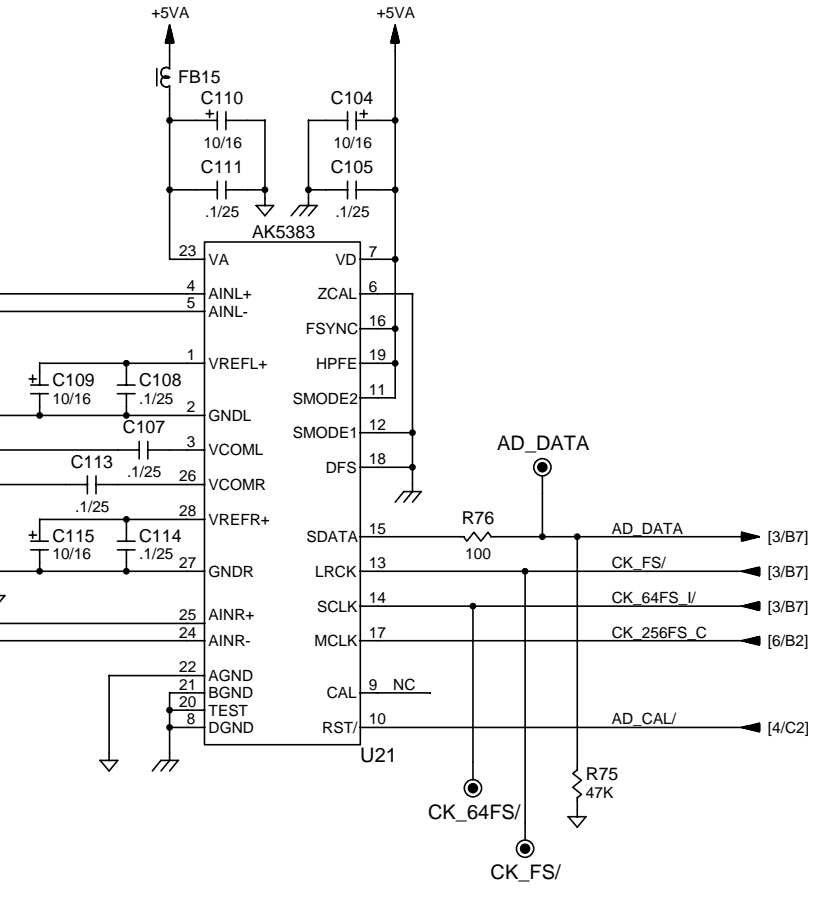


INPUT AMPLIFIER



A/D CONVERTER



REVISIONS				
REV	DESCRIPTION	DRAFTER	CHECKER	Q.C. AUTH.
1	CHANGED PER DCR 010316-00	RWH	JV	CW
		JV	JM	JM
2	CHANGED PER DCR 010515-00	RWH	JV	CW
		JV	JM	JM
3	CHANGED PER DCR 010829-00	RWH	JV	CW
		ECM	JM	JM
4	CHANGED SHTS. 2, 4 & 7 PER DCR 010924-00	RWH	JV	CW
		ECM	JM	JM

- NOTES
- UNLESS OTHERWISE INDICATED, RESISTORS ARE 1/10W
 - UNLESS OTHERWISE INDICATED, RESISTORS ARE 5%
 - UNLESS OTHERWISE INDICATED, CAPACITORS ARE UF/V
 - DIGITAL GROUND ANALOG GROUND CHASSIS GROUND CHASSIS SCREW POWER GROUND
 - [XX/XX] DENOTES [SHEET NUMBER/SECTOR]
 - LAST REFERENCE DESIGNATORS USED: C134, D29, FB15, J20, Q1, R102, RP13, SW4, U27, W2, Y2
 - COMPONENTS MARKED WITH * ARE NOT POPULATED.

DOCUMENT CONTROL BLOCK: #060-14559

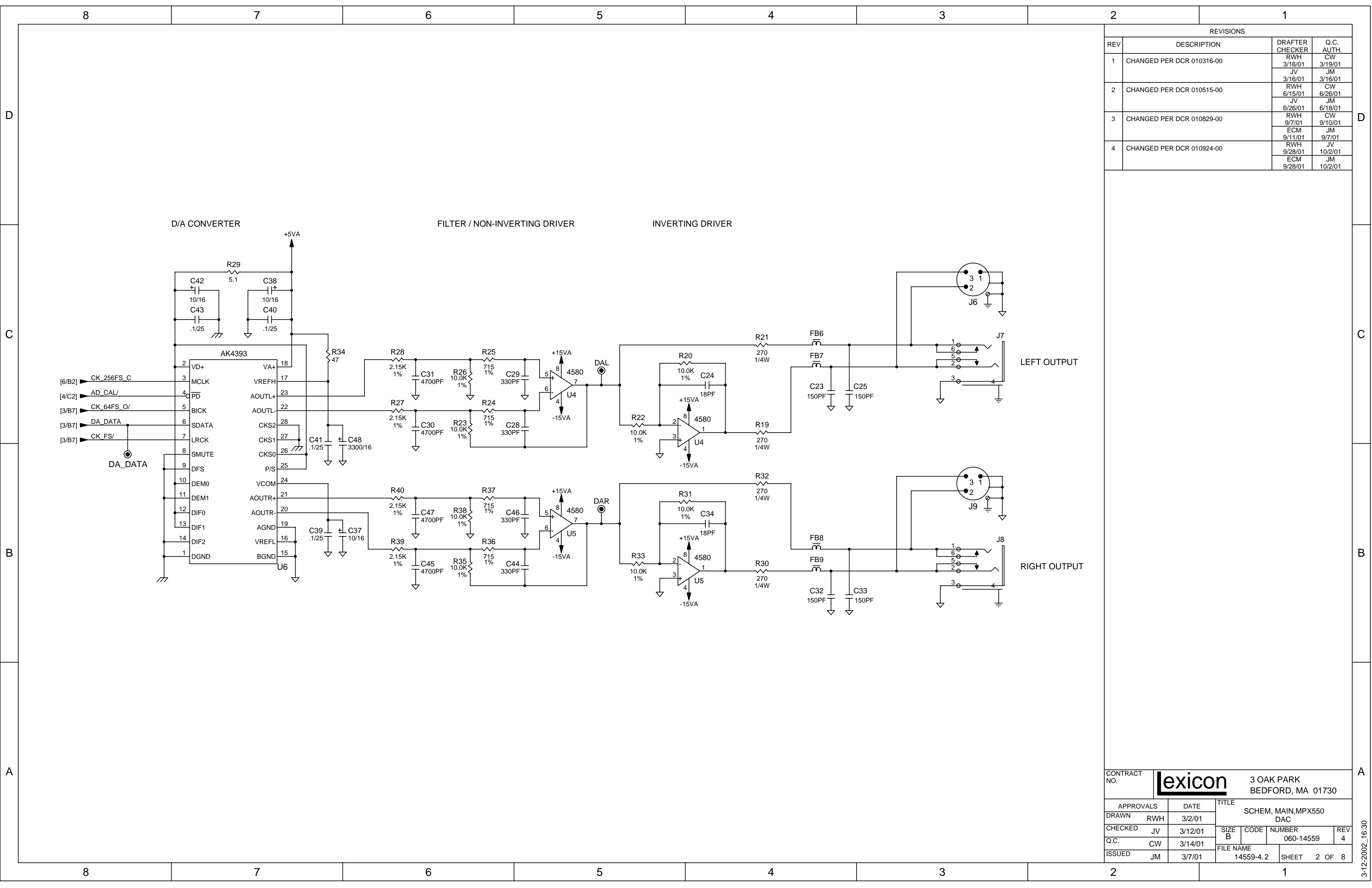
SHEET	REVISION	TITLE
1 OF 8	4	INPUT
2 OF 8	4	DAC
3 OF 8	3	LEXICHP3, DRAM
4 OF 8	4	uPROC, ROM/RAM, CS, RESET
5 OF 8	3	ENCODERS
6 OF 8	3	MIDI, DIGITAL AUDIO OUT
7 OF 8	4	DISPLAY DRIVER
8 OF 8	3	POWER SUPPLY

© 2001 Lexicon, Inc.

CONTRACT NO. **lexicon** 3 OAK PARK BEDFORD, MA 01730

APPROVALS	DATE	TITLE
DRAWN RWH	3/2/01	SCHEM, MAIN,MPX550 INPUT
CHECKED JV	3/12/01	SIZE B CODE NUMBER
Q.C. CW	3/14/01	060-14559 REV 4
ISSUED JM	3/7/01	FILE NAME 14559-4.1 SHEET 1 OF 8

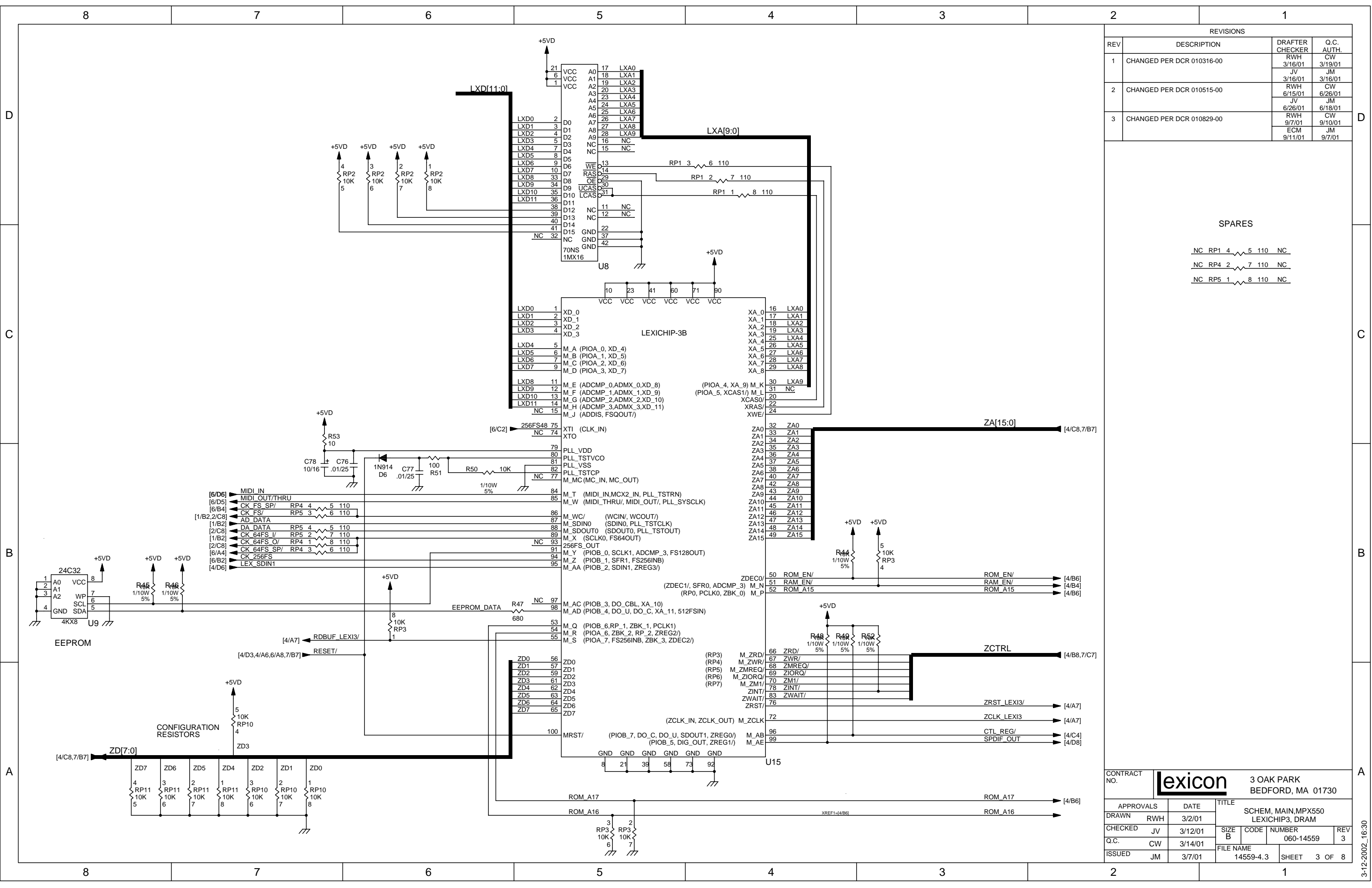
3-12-2002_16:30



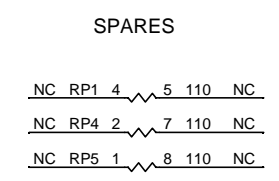
REVISIONS			
REV	DESCRIPTION	DRAFTER CHECKER	Q.C. AUTH.
1	CHANGED PER DCR 010316-00	RWH 3/16/01	CW 3/19/01
		JV 3/16/01	JM 3/16/01
2	CHANGED PER DCR 010515-00	RWH 6/15/01	CW 6/26/01
		JV 6/26/01	JM 6/18/01
3	CHANGED PER DCR 010829-00	RWH 9/7/01	CW 9/10/01
		ECM 9/11/01	JM 9/7/01
4	CHANGED PER DCR 010924-00	RWH 9/28/01	JV 10/2/01
		ECM 9/28/01	JM 10/2/01

CONTRACT NO.		lexicon		3 OAK PARK BEDFORD, MA 01730	
APPROVALS		DATE	TITLE		
DRAWN RWH		3/2/01	SCHEM, MAIN,MPX550 DAC		
CHECKED JV		3/12/01	SIZE B	CODE	NUMBER
Q.C. CW		3/14/01			060-14559
ISSUED JM		3/7/01	FILE NAME		REV 4
			14559-4.2		2 OF 8

3-12-2002_16:30

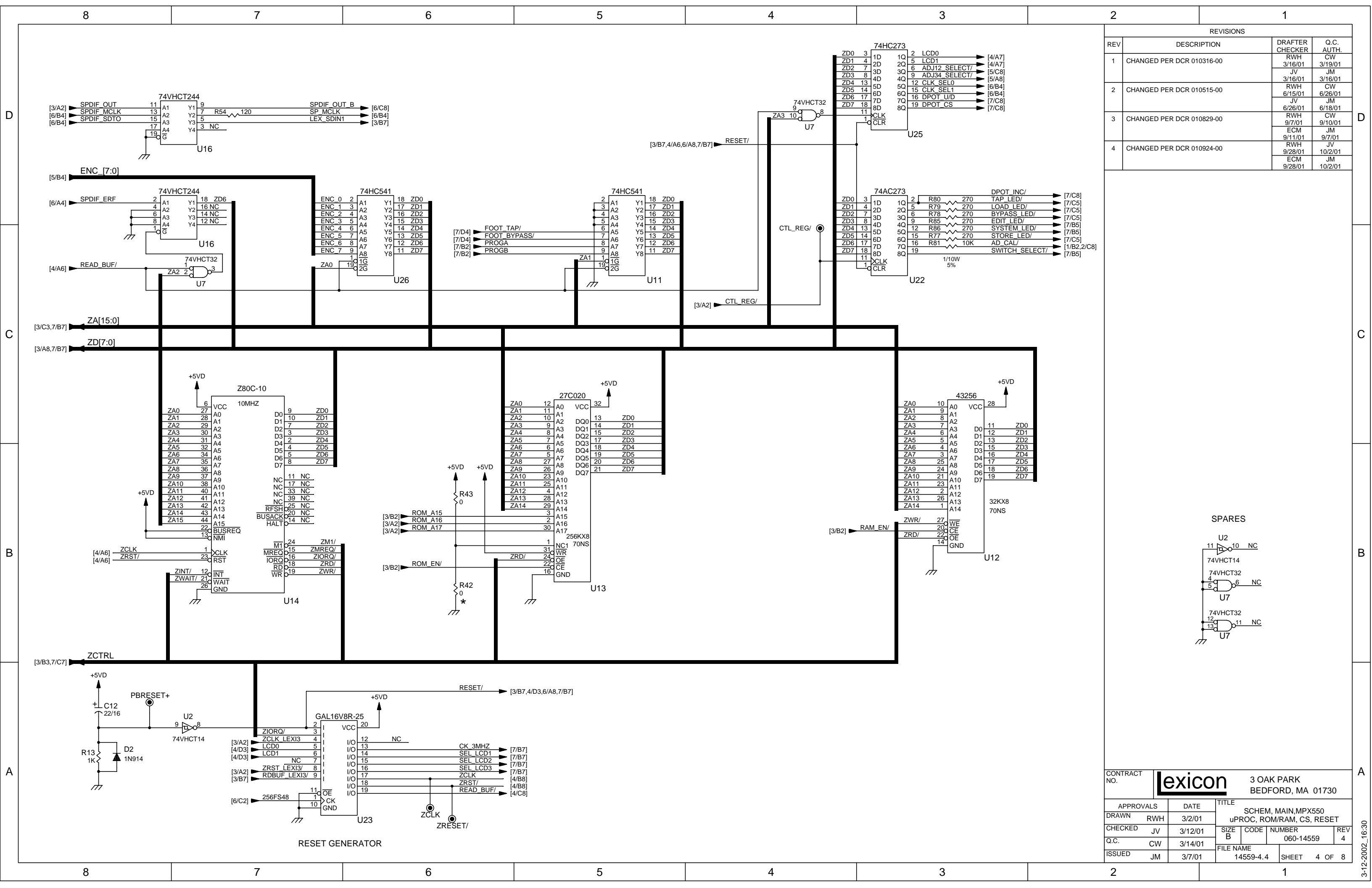


REVISIONS				
REV	DESCRIPTION	DRAFTER	CHECKER	Q.C. AUTH.
1	CHANGED PER DCR 010316-00	RWH	JV	CW
		RWH	JV	JM
2	CHANGED PER DCR 010515-00	RWH	JV	CW
		RWH	JV	JM
3	CHANGED PER DCR 010829-00	RWH	JV	CW
		RWH	JV	JM
		ECM	JM	JM



CONTRACT NO.	lexicon		3 OAK PARK BEDFORD, MA 01730	
APPROVALS	DATE	TITLE		
DRAWN RWH	3/2/01	SCHEM. MAIN.MPX550 LEXICHIP3, DRAM		
CHECKED JV	3/12/01	SIZE B	CODE	NUMBER
Q.C. CW	3/14/01			060-14559
ISSUED JM	3/7/01	FILE NAME		REV 3
		14559-4.3		SHEET 3 OF 8

3-12-2002_16:30

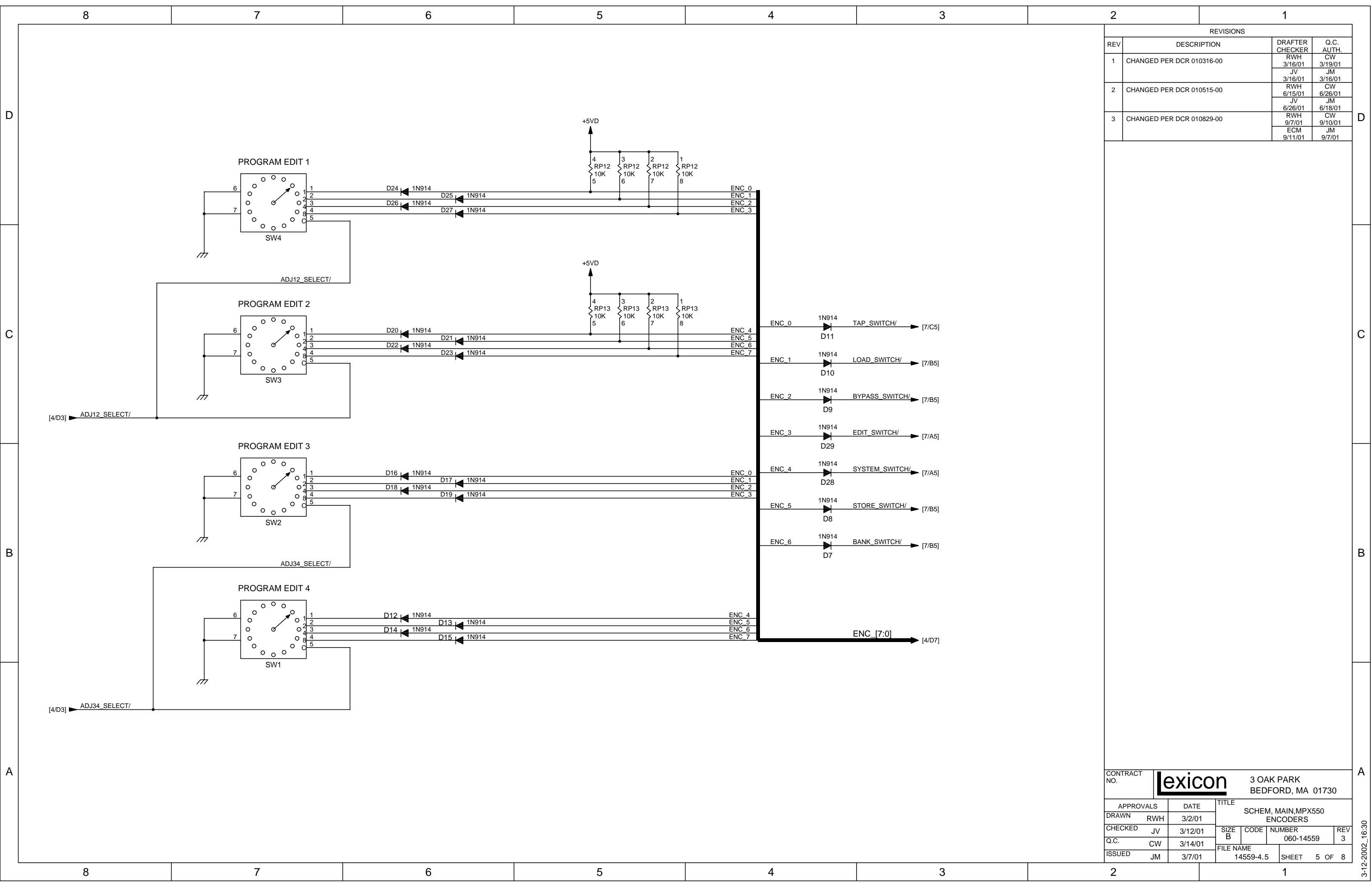


REVISIONS				
REV	DESCRIPTION	DRAFTER	CHECKER	Q.C. AUTH.
1	CHANGED PER DCR 010316-00	RWH	JV	CW
2	CHANGED PER DCR 010515-00	RWH	JV	CW
3	CHANGED PER DCR 010829-00	RWH	JV	CW
4	CHANGED PER DCR 010924-00	RWH	JV	CW

CONTRACT NO.	lexicon	3 OAK PARK BEDFORD, MA 01730
DRAWN	RWH	DATE: 3/2/01
CHECKED	JV	DATE: 3/12/01
Q.C.	CW	DATE: 3/14/01
ISSUED	JM	DATE: 3/7/01

TITLE		SCHEM. MAIN.MPX550	
SIZE	CODE	NUMBER	REV
B		060-14559	4
FILE NAME		14559-4.4	
SHEET		4 OF 8	

3-12-2002_16:30

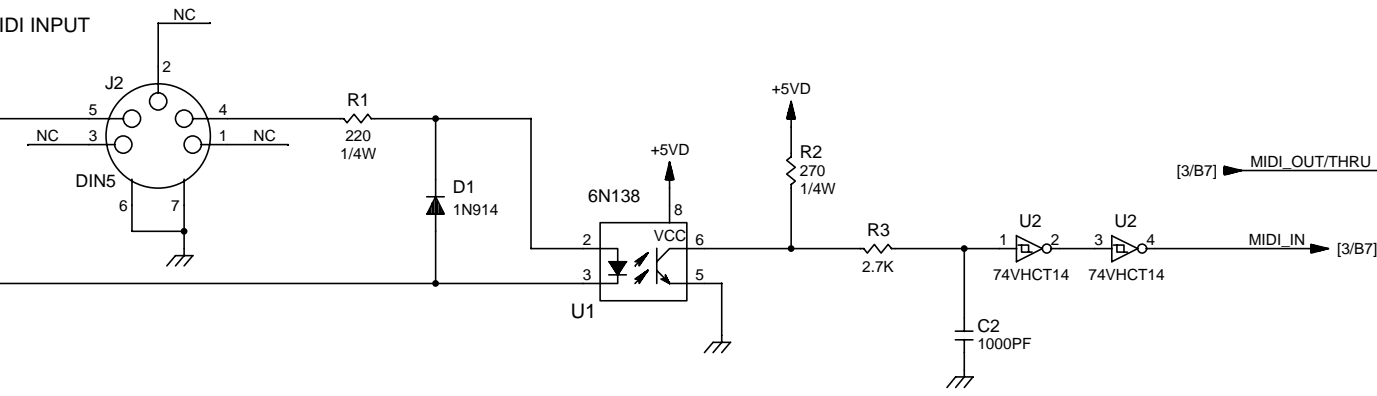


REVISIONS				
REV	DESCRIPTION	DRAFTER	CHECKER	Q.C. AUTH.
1	CHANGED PER DCR 010316-00	RWH		CW
		JV		JM
		JV		JM
2	CHANGED PER DCR 010515-00	RWH		CW
		JV		JM
		JV		JM
3	CHANGED PER DCR 010829-00	RWH		CW
		JV		JM
		ECM		JM

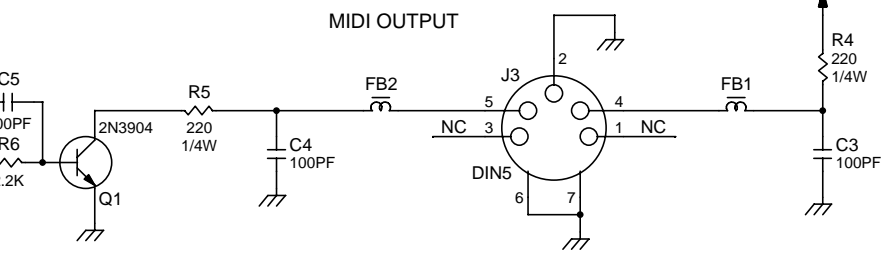
CONTRACT NO.		lexicon		3 OAK PARK BEDFORD, MA 01730	
APPROVALS		DATE		TITLE	
DRAWN RWH		3/2/01		SCHEM. MAIN.MPX550 ENCODERS	
CHECKED JV		3/12/01		SIZE B	CODE
Q.C. CW		3/14/01		NUMBER	REV
ISSUED JM		3/7/01		FILE NAME	14559-4.5
				SHEET	5 OF 8

3-12-2002_16:30

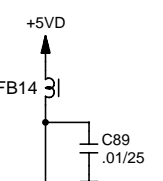
MIDI INPUT



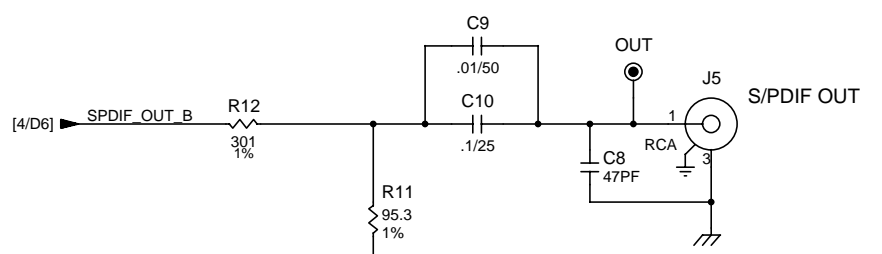
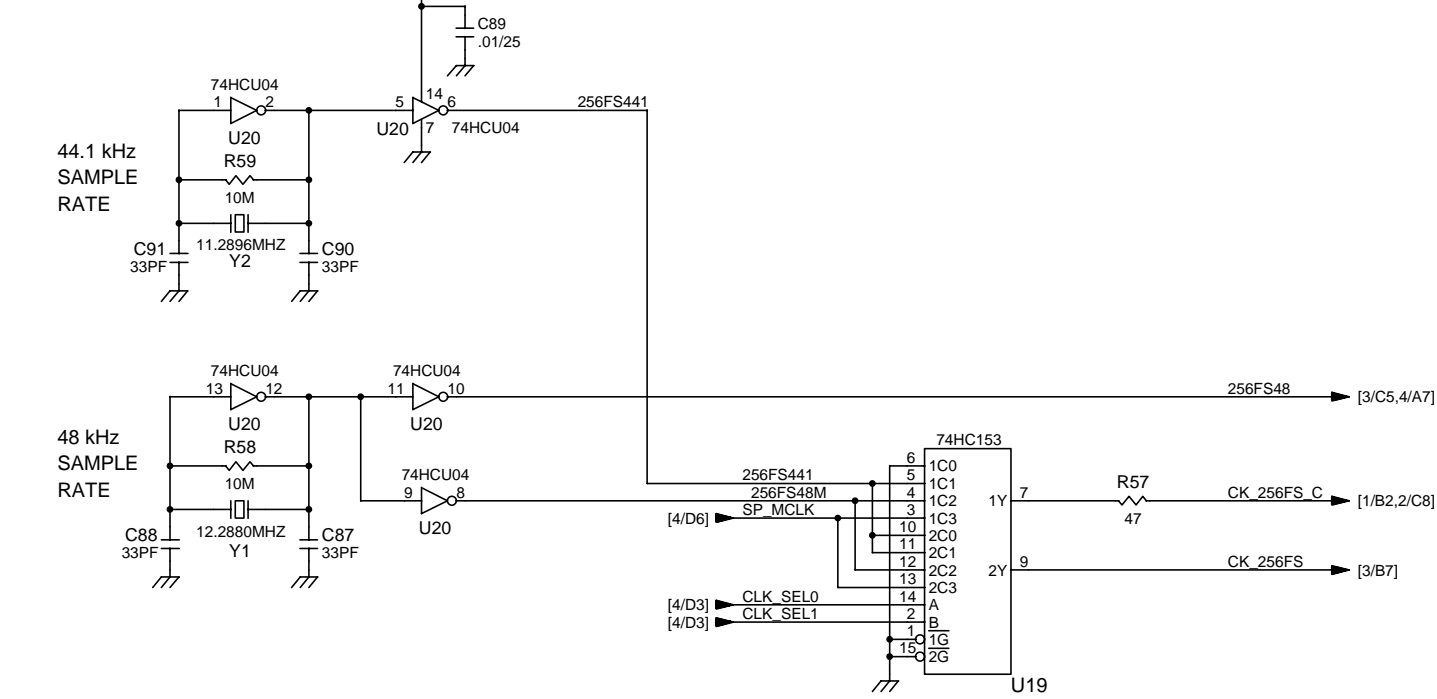
MIDI OUTPUT



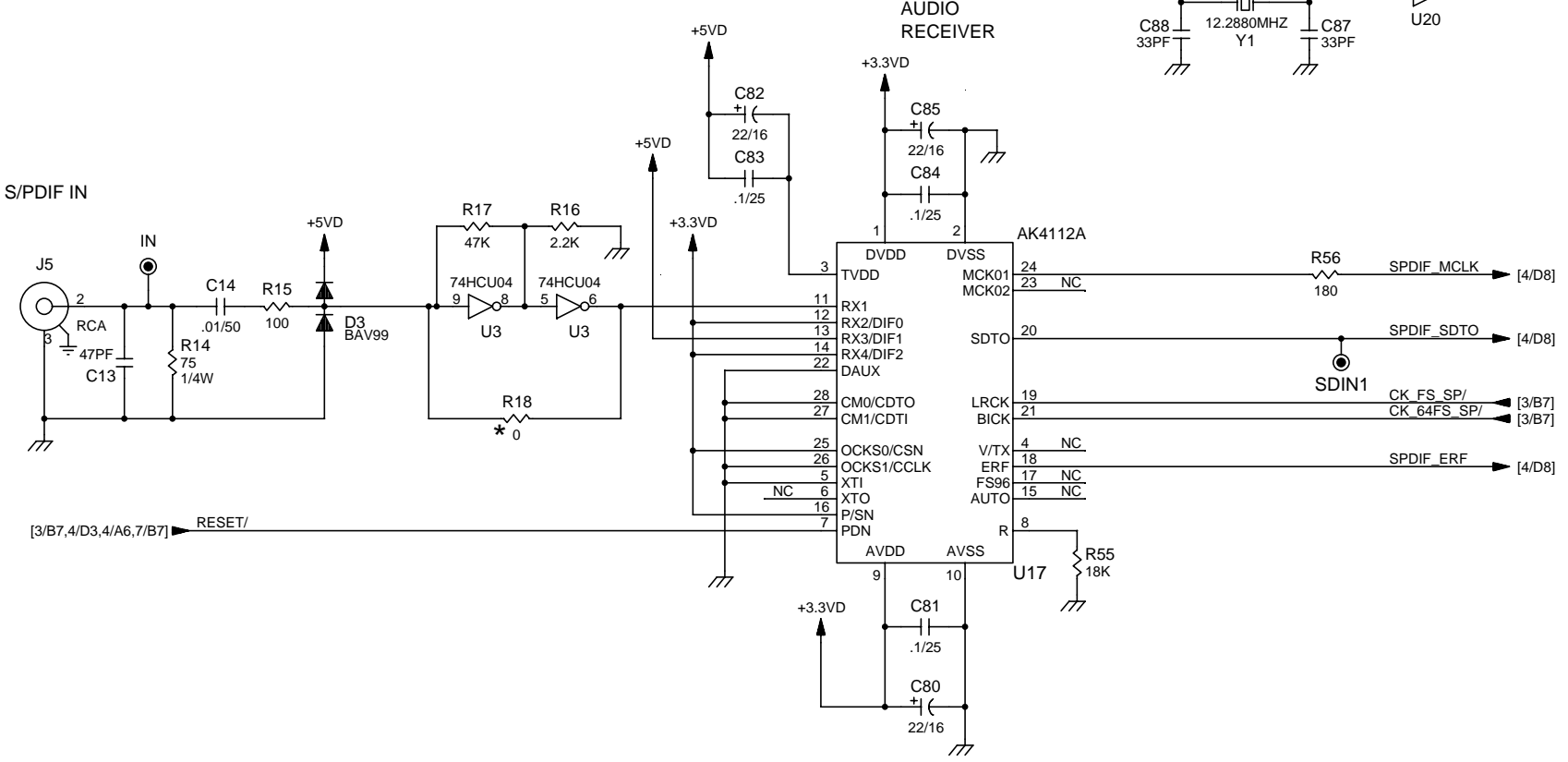
CONTROL BUS



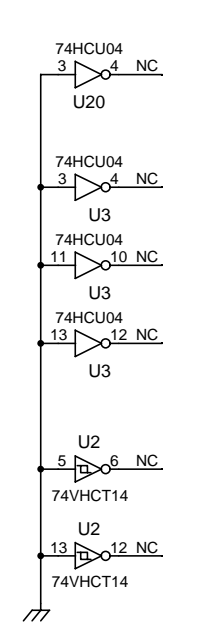
CLOCK GENERATION



DIGITAL AUDIO RECEIVER



SPARES

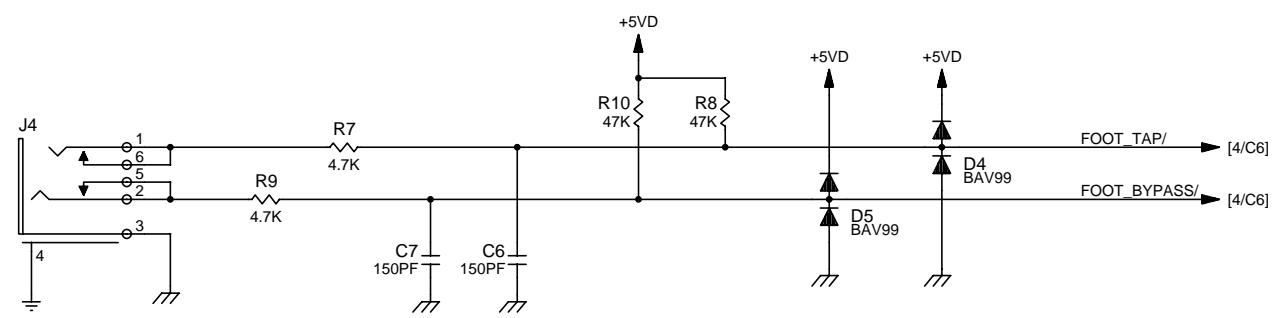


REVISIONS				
REV	DESCRIPTION	DRAFTER	CHECKER	Q.C. AUTH.
1	CHANGED PER DCR 010316-00	RWH	JV	CW
2	CHANGED PER DCR 010515-00	RWH	JV	CW
3	CHANGED PER DCR 010829-00	RWH	JV	CW
		ECM	JM	JM

CONTRACT NO.		lexicon		3 OAK PARK BEDFORD, MA 01730	
APPROVALS	DATE	TITLE			
DRAWN RWH	3/2/01	SCHEM. MAIN.MPX550 MIDI, DIGITAL AUDIO OUT			
CHECKED JV	3/12/01	SIZE B	CODE	NUMBER	REV
Q.C. CW	3/14/01			060-14559	3
ISSUED JM	3/7/01	FILE NAME		SHEET	
		14559-4.6		6 OF 8	

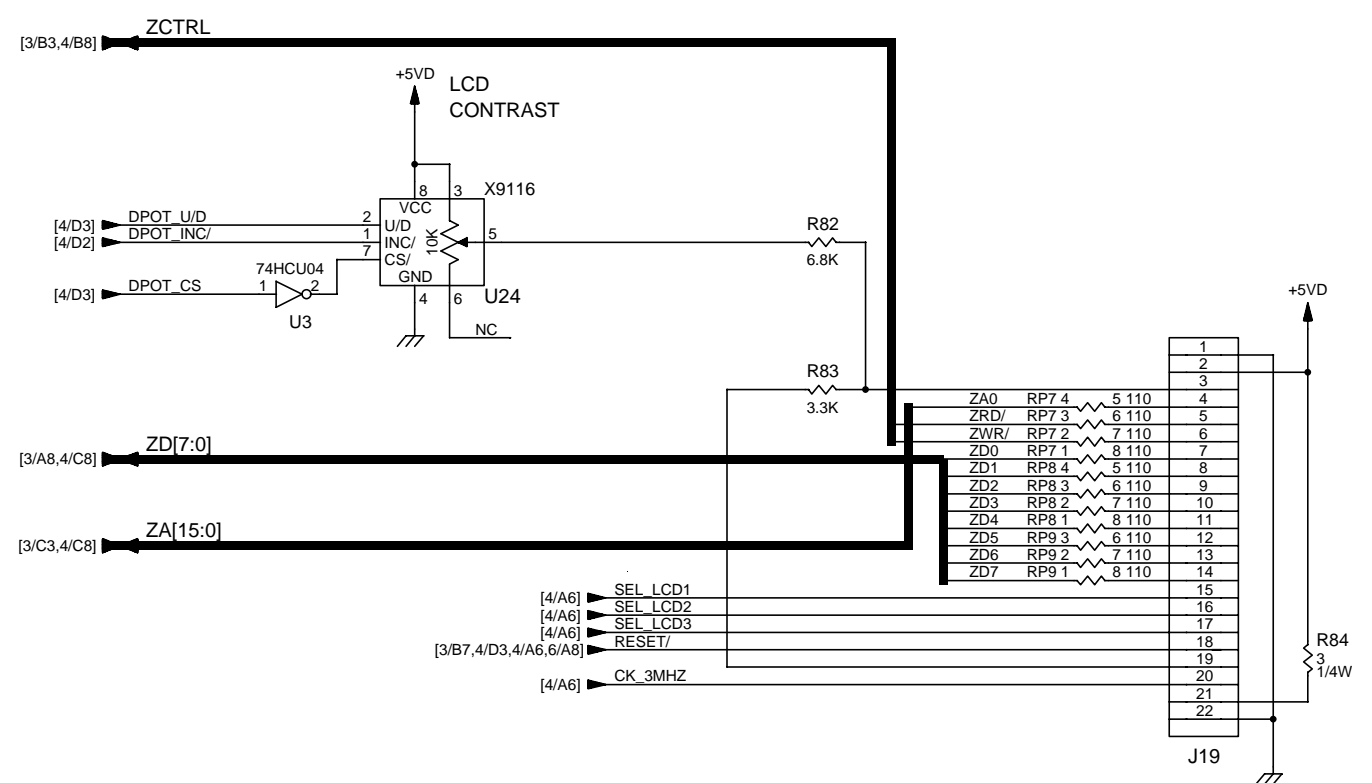
3-12-2002_16:30

REVISIONS			
REV	DESCRIPTION	DRAFTER CHECKER	Q.C. AUTH.
1	CHANGED PER DCR 010316-00	RWH 3/16/01 JV 3/16/01	CW 3/19/01 JM 3/16/01
2	CHANGED PER DCR 010515-00	RWH 6/15/01 JV 6/26/01	CW 6/26/01 JM 6/18/01
3	CHANGED PER DCR 010829-00	RWH 9/7/01 ECM 9/11/01	CW 9/10/01 JM 9/7/01
4	CHANGED PER DCR 010924-00	RWH 9/28/01 ECM 9/28/01	JV 10/2/01 JM 10/2/01



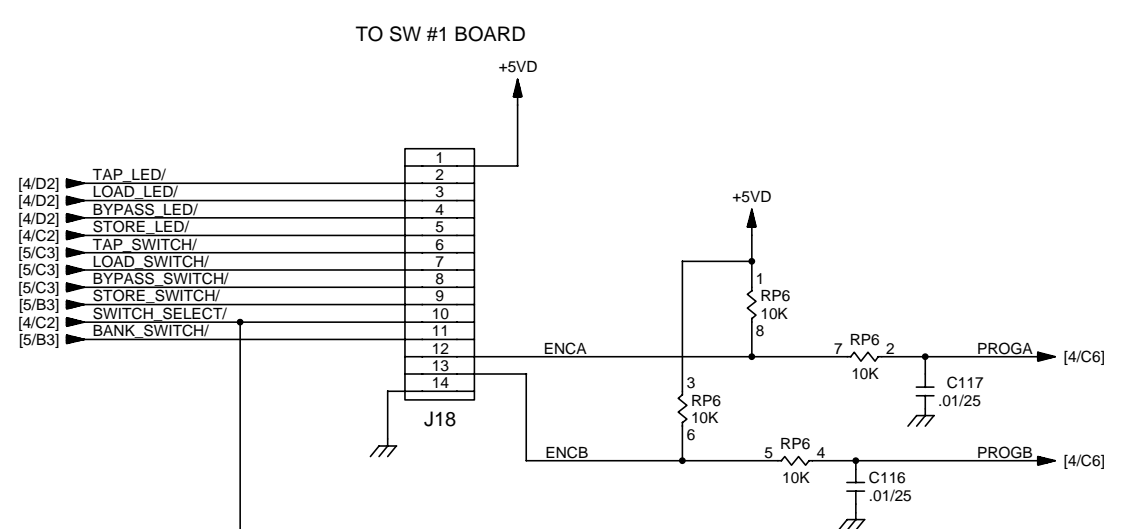
FOOTSWITCHES

SPARES
NC RP9 4 5 110 NC



- [4/A6] SEL_LCD1
- [4/A6] SEL_LCD2
- [4/A6] SEL_LCD3
- [3/B7,4/D3,4/A6,6/A8] RESET/
- [4/A6] CK_3MHZ

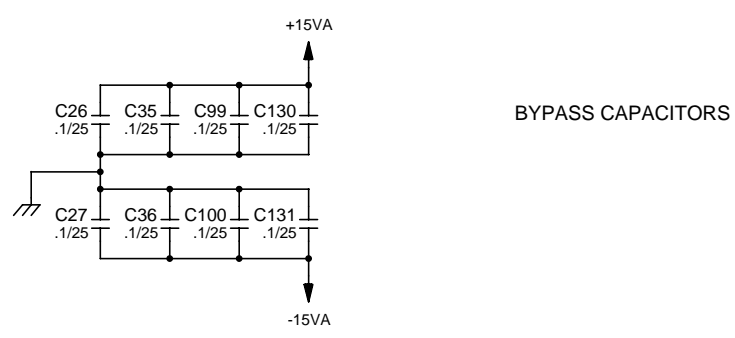
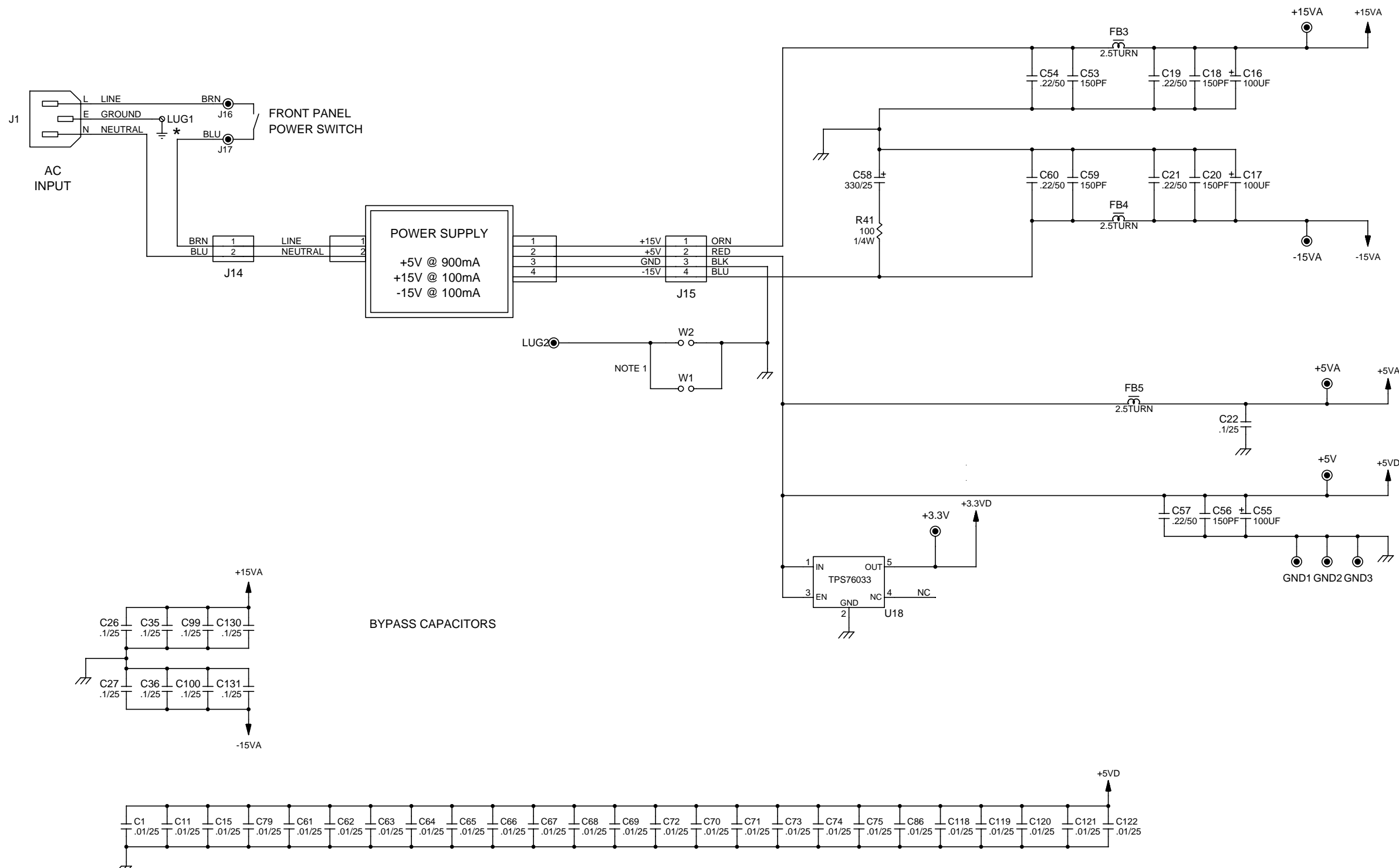
TO LCD DISPLAY



TO SW #2 BOARD

- [4/D2] EDIT_LED/
- [4/C2] SYSTEM_LED/
- [5/C3] EDIT_SWITCH/
- [5/B3] SYSTEM_SWITCH/
- [5/B3] SWITCH_SELECT/

CONTRACT NO.		lexicon		3 OAK PARK BEDFORD, MA 01730	
APPROVALS		DATE	TITLE		
DRAWN	RWH	3/2/01	SCHEM, MAIN,MPX550 DISPLAY DRIVER		
CHECKED	JV	3/12/01	SIZE B	CODE NUMBER	REV 4
Q.C.	CW	3/14/01	FILE NAME		
ISSUED	JM	3/7/01	14559-4.7		SHEET 7 OF 8



REVISIONS				
REV	DESCRIPTION	DRAFTER	CHECKER	Q.C. AUTH.
1	CHANGED PER DCR 010316-00	RWH	JV	CW
2	CHANGED PER DCR 010515-00	RWH	JV	CW
3	CHANGED PER DCR 010829-00	RWH	JV	CW
		ECM	JM	JM

NOTES

1 INSTALL W1 OR W2 TO TIE POWER SUPPLY GROUND ETCH DIRECTLY TO CIRCUIT GROUND.

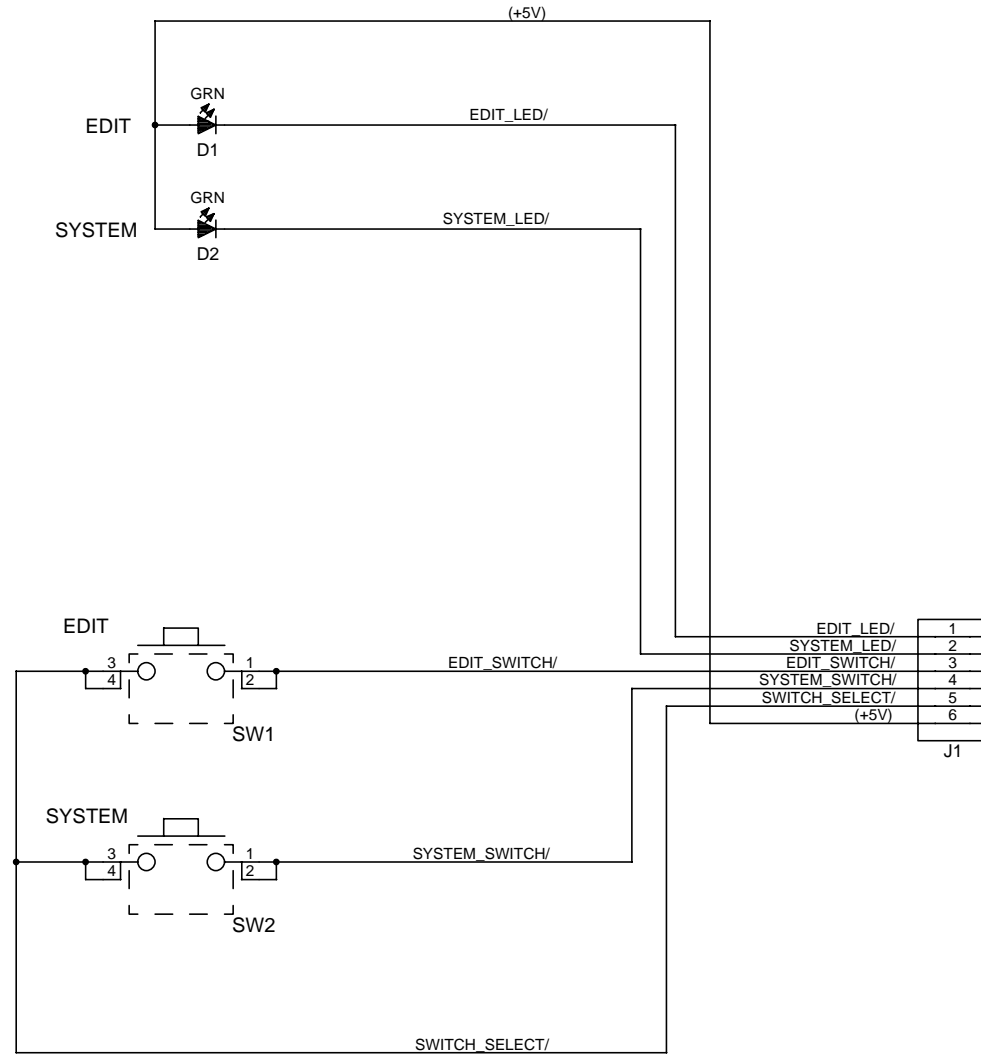
CONTRACT NO.		lexicon			3 OAK PARK BEDFORD, MA 01730		
APPROVALS		DATE	TITLE				
DRAWN RWH		3/2/01	SCHEM, MAIN,MPX550 POWER SUPPLY				
CHECKED JV		3/12/01	SIZE B	CODE	NUMBER	REV	
Q.C. CW		3/14/01			060-14559	3	
ISSUED JM		3/7/01	FILE NAME		SHEET 8 OF 8		
			14559-4.8				

3-12-2002_16:30

REVISIONS

REV	DESCRIPTION	DRAFTER CHECKER	Q.C. AUTH.
-----	-------------	--------------------	---------------

NOTES

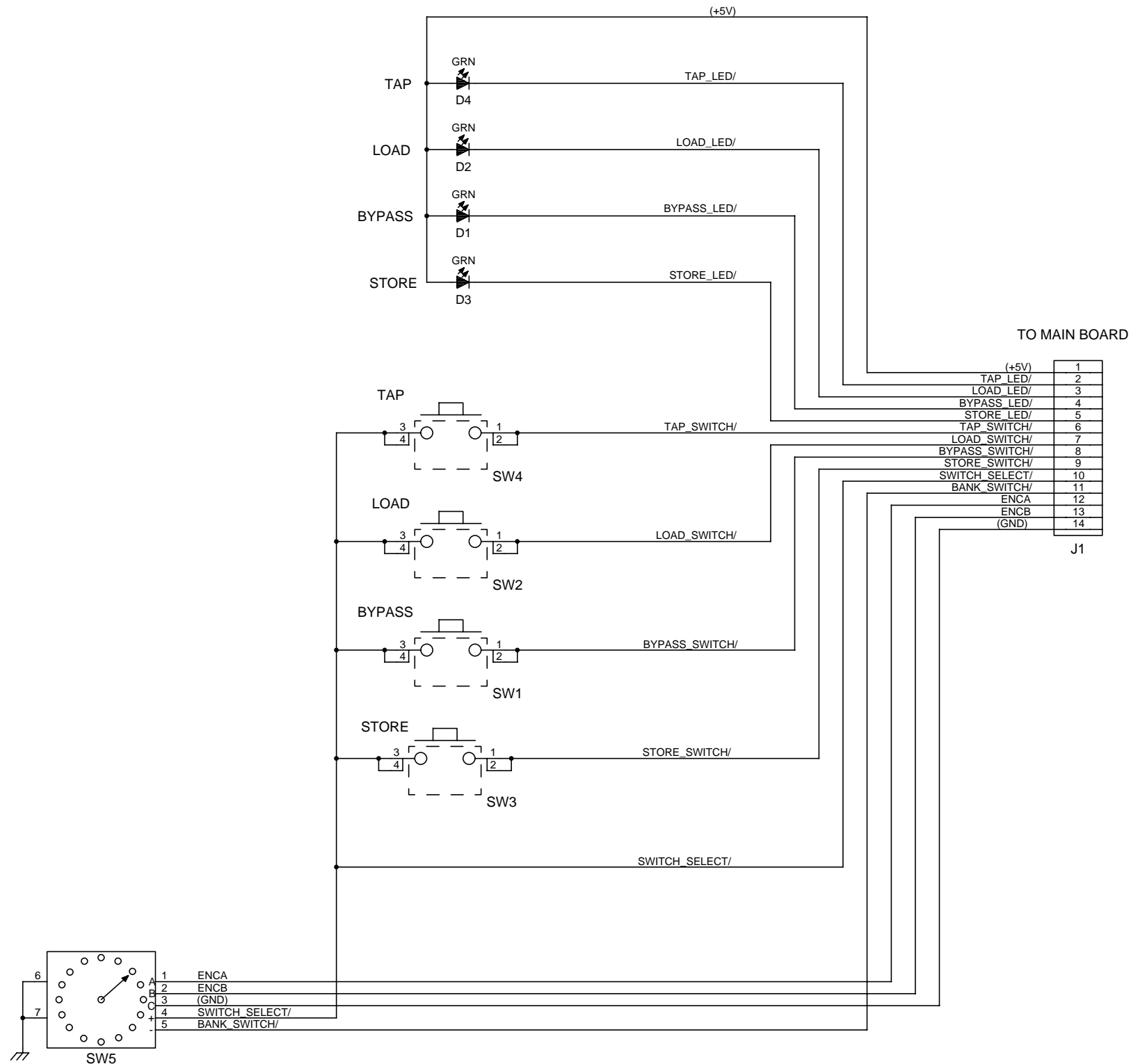


EDIT_LED/	1
SYSTEM_LED/	2
EDIT_SWITCH/	3
SYSTEM_SWITCH/	4
SWITCH_SELECT/	5
(+5V)	6

J1

CONTRACT NO.	lexicon			3 OAK PARK BEDFORD, MA 01730			
APPROVALS	DATE	TITLE					
DRAWN RWH	6/25/99	SCHEM,SW #2,MPX500					
CHECKED ECM	6/25/99	SIZE B	CODE	NUMBER	REV	0	
Q.C. CW	6/25/99	FILE NAME		060-14149	0		
ISSUED JW	6/25/99	14149-0.1		SHEET 1 OF 1			

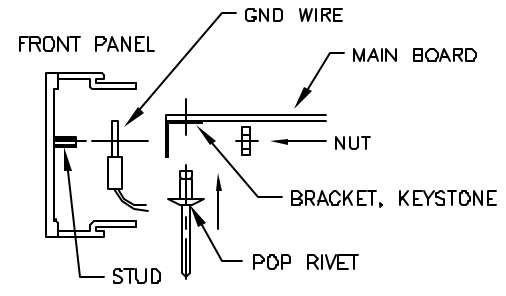
REVISIONS			
REV	DESCRIPTION	DRAFTER CHECKER	Q.C. AUTH.



CONTRACT NO.		lexicon		3 OAK PARK BEDFORD, MA 01730	
APPROVALS		DATE		TITLE	
DRAWN RWH		6/25/99		SCHEM,SW #1,MPX500	
CHECKED ECM		6/25/99		SIZE B	CODE
Q.C. CW		6/25/99		NUMBER	REV
ISSUED JW		6/25/99		FILE NAME	14139-0.1
				SHEET	1 OF 1

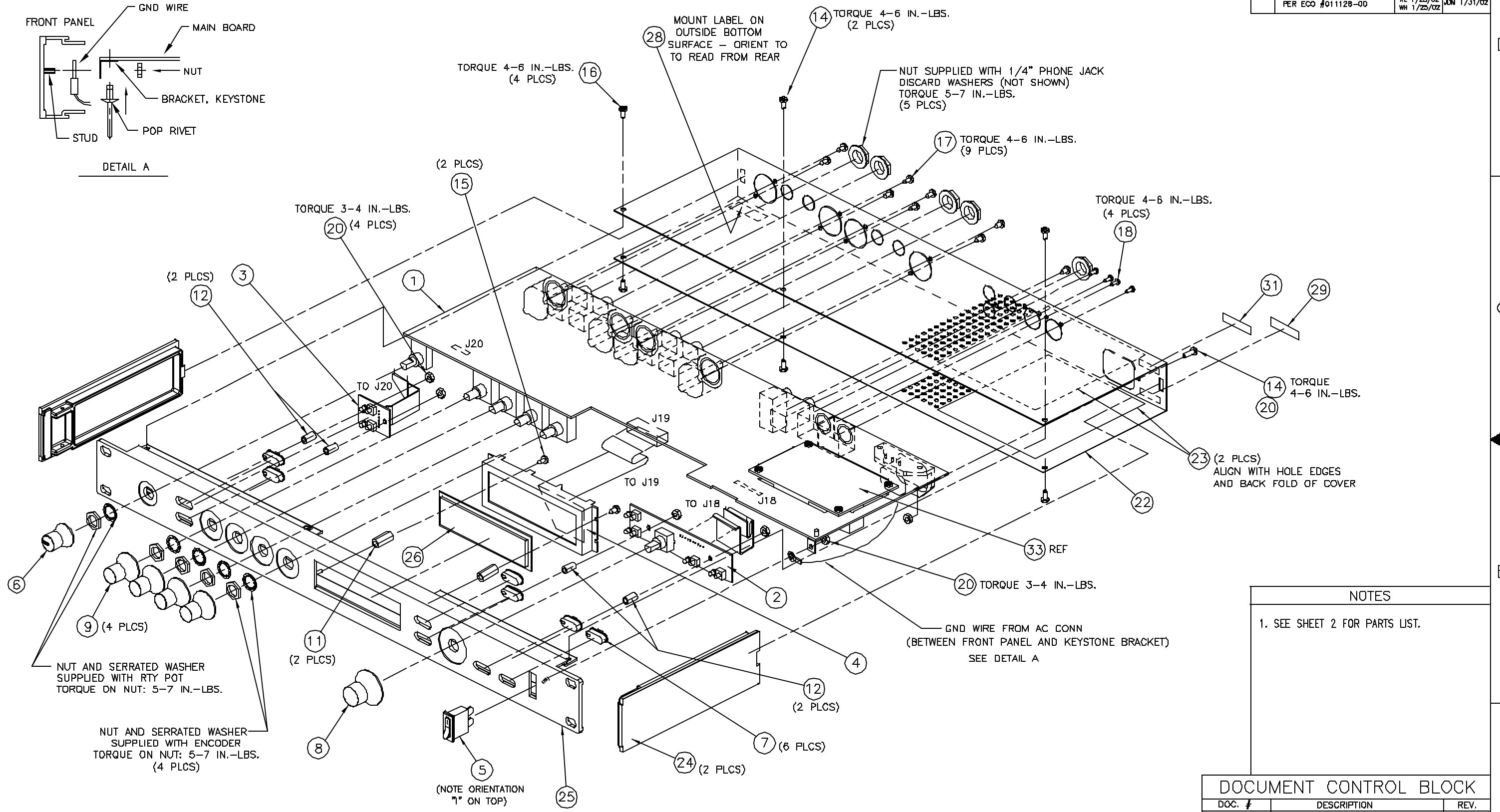
8 7 6 5 4 3 2 1

REVISIONS			
REV.	DESCRIPTION	DWR/CHKD	D.C./AUTH
1	CHG SCRW P/N - ITEM 17 PER ECO #011128-00	AN 12/18/01 RL 1/25/02 WH 1/25/02	CW 1/30/02 JDM 1/31/02



D
C
B
A

D
C
B
A



NOTES

1. SEE SHEET 2 FOR PARTS LIST.

DOCUMENT CONTROL BLOCK			
DOC. #	DESCRIPTION	REV.	
080-14915	ASSY DWG, CHASSIS SHT 1 OF 2	1	
080-14915	ASSY DWG, CHASSIS SHT 2 OF 2	1	

ACAD 2000 FILE NAME 14915-11		lexicon	
TITLE ASSY DWG, CHASSIS, MPX550			
APPROVALS	DATE	SIZE	FSCM NO.
DRAWN AN	3/14/01	B	DWG. NO. 080-14915
CHECKED RL WH	7/24/01	SCALE	N/A
Q.C. CW DS	7/28/01		REV. 1
ISSUED JDM	7/28/01		SHEET 1 OF 2

MPX550	USED ON	APPLICATION	DO NOT SCALE DRAWING
--------	---------	-------------	----------------------

UNLESS OTHERWISE SPECIFIED
DIMENSIONS ARE IN INCHES
TOLERANCES ARE:
DECIMALS: .XX ±.010
.XXX ±.005
ANGLES: ±1/2°

8 7 6 5 4 3 2 1

LEXICON, INC.

8 7 6 5 4 3 2 1

REVISIONS

REV.	DESCRIPTION	DWR/CHKD	D.C./AUTH
1	CHG SCRW P/N - ITEM 17 PER ECO #011128-00	AN 12/18/01 RL 1/25/02 WH 1/25/02	EW 1/30/02 JON 1/31/02

ITEM#	PART#	DESCRIPTION	QTY	WHERE USED
1.	023-14909	PL, MAIN BD ASSY	1	
2.	023-14111	PL, SW#1 BD ASSY	1	
3.	023-14112	PL, SW#2 BD ASSY	1	
4.	430-14152	DISP, LCD	1	
5.	454-11095	SWITCH, ROCKER, 1P2T, VERTSLIM	1	
6.	550-11929	KNOB, .69D, 6MM/FL, BLK, LINE	1	
7.	550-11931	BUTTON, .24X.64, BLK, W/LT PIPE	6	
8.	550-14169	KNOB, 1.05D, 6MM/FL, BLK	1	
9.	550-14639	KNOB, .85D, 6MM/FL, BLK	4	
10.				
11.	630-14114	SPCR, 4-40 X 7/16, 3/16 HEX, NYLON	2	DISPLAY TO FRONT PANEL
12.	635-12831	SPCR, .14 ID X .25OD X .375L, AL	4	SW BDS TO FRONT PANEL
13.				
14.	640-02812	SCRW, 4-40X3/8, PNH, PH, BZ	3	COVER TO FRONT PANEL (2), AC CONN (1)
15.	640-14115	SCRW, 4-40X3/16, PNH, PH, NYLON	2	DISPLAY TO FRONT PANEL
16.	641-10989	SCRW, TAP, #4X3/8, PNH, PH, BZ	4	COVER TO SIDE
17.	641-14898	SCRW, TAP, #4X1/4, PNH, PH, BZ, TRI	9	XLR & RCA CONN TO COVER
18.	641-12759	SCRW, TAP, #2X1/4, PNH, PH, BZ	4	DIN CONN TO COVER
19.				
20.	643-01732	NUT, 4-40, KEP, ZN	6	SW BDS TO FRONT PANEL (4), MAIN BD TO FRONT PANEL (1), AC CONN (1)
21.				
22.	700-14918	COVER	1	
23.	702-14177	COVER, PROTECTIVE, PS	2	COVER, INSIDE
24.	702-14640	PANEL, SIDE, ABS	2	
25.	702-14916	PANEL, FRONT	1	
26.	703-14167	LENS, CLR	1	
27.				
28.	740-08558	LABEL, TUV CERTIFIED, BAYERN	1	COVER, TOP
29.	740-09538	LABEL, S/N, CHASSIS	1	COVER, REAR
30.				
31.	740-13573	LABEL, MFR ID	1	COVER, REAR
32.				
33.	750-14151	PWR SUPPLY	REF	
34.				
35.				

NOTES

1. PART NUMBER LISTING IS FOR REFERENCE ONLY AND DOES NOT SUPERSEDE THE BOM: #022-14908

UNLESS OTHERWISE SPECIFIED DIMENSIONS ARE IN INCHES TOLERANCES ARE:		ACAD 2000 FILE NAME		lexicon	
DECIMALS: .XX ±.010 ANGLE: ±1/2°		14915-12		TITLE	
.XXX ±.005		APPROVALS		ASSY DWG, CHASSIS, MPX550	
MATERIAL		DRAWN		DATE	
MPX550		AN		3/14/01	
FINISH		CHECKED		RL WH	
		RL WH		7/24/01	
NEXT ASSY		Q.C.		CV. DS	
USED ON		ISSUED		JON	
APPLICATION		DO NOT SCALE DRAWING		7/28/01	
		SCALE		N/A	
		DWG. NO.		080-14915	
		REV.		1	
		SHEET		2 OF 2	

8 7 6 5 4 3 2 1

D

C

B

A

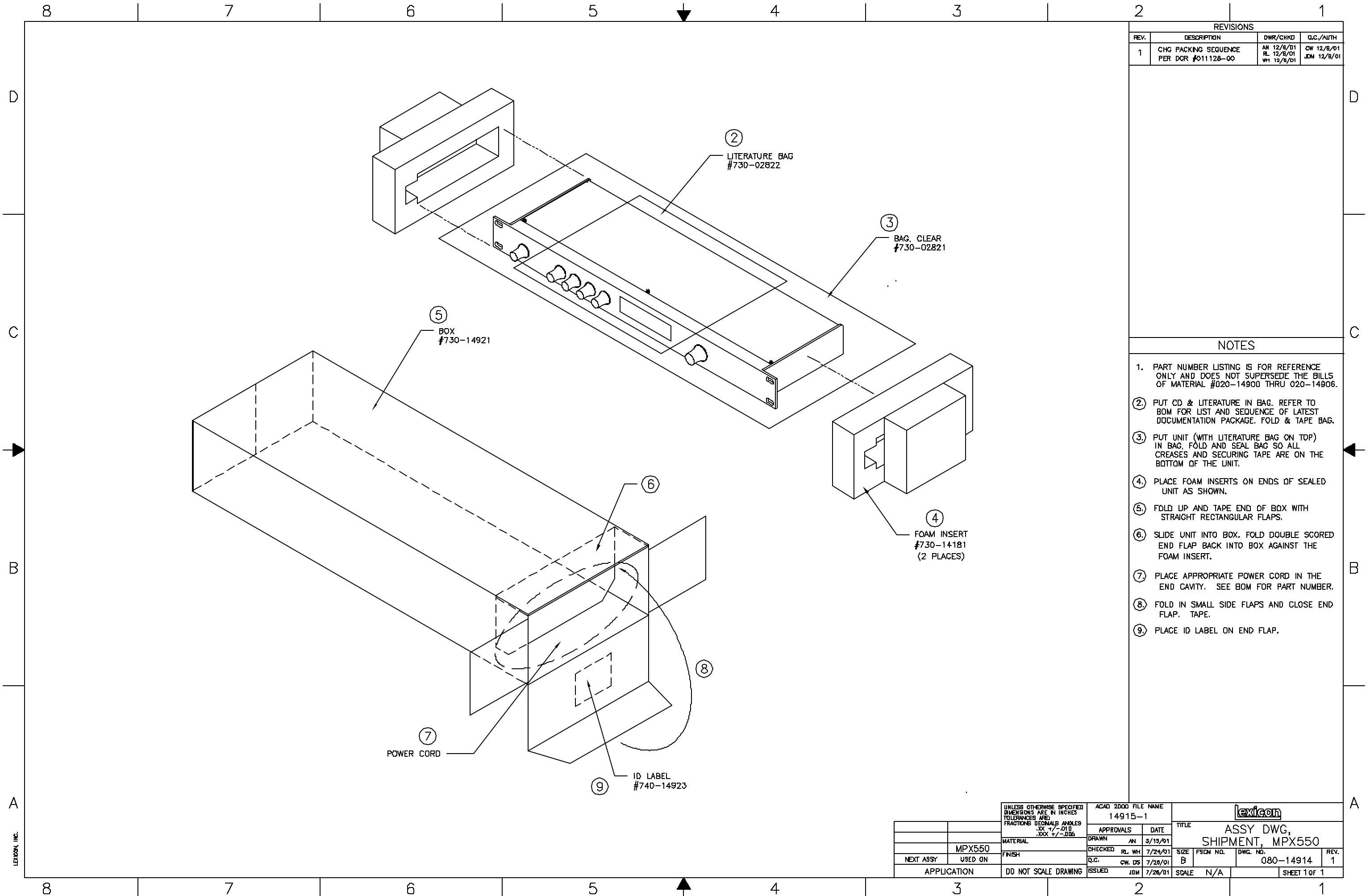
D

C

B

A

LEXICON, INC.



REVISIONS			
REV.	DESCRIPTION	DWR/CHKD	Q.C./AUTH
1	CHG PACKING SEQUENCE PER DGR #011128-00	AN 12/8/01 RL 12/8/01 WH 12/8/01	CW 12/8/01 JDM 12/8/01

NOTES

1. PART NUMBER LISTING IS FOR REFERENCE ONLY AND DOES NOT SUPERSEDE THE BILLS OF MATERIAL #020-14900 THRU 020-14906.
- ② PUT CD & LITERATURE IN BAG. REFER TO BOM FOR LIST AND SEQUENCE OF LATEST DOCUMENTATION PACKAGE. FOLD & TAPE BAG.
- ③ PUT UNIT (WITH LITERATURE BAG ON TOP) IN BAG. FOLD AND SEAL BAG SO ALL CREASES AND SECURING TAPE ARE ON THE BOTTOM OF THE UNIT.
- ④ PLACE FOAM INSERTS ON ENDS OF SEALED UNIT AS SHOWN.
- ⑤ FOLD UP AND TAPE END OF BOX WITH STRAIGHT RECTANGULAR FLAPS.
- ⑥ SLIDE UNIT INTO BOX. FOLD DOUBLE SCORED END FLAP BACK INTO BOX AGAINST THE FOAM INSERT.
- ⑦ PLACE APPROPRIATE POWER CORD IN THE END CAVITY. SEE BOM FOR PART NUMBER.
- ⑧ FOLD IN SMALL SIDE FLAPS AND CLOSE END FLAP. TAPE.
- ⑨ PLACE ID LABEL ON END FLAP.

UNLESS OTHERWISE SPECIFIED DIMENSIONS ARE IN INCHES TOLERANCES ARE: FRACTIONS DECIMALS ANGLES .XX +/- .010 .XXX +/- .006		ACAD 2D00 FILE NAME 14915-1	lexicon TITLE ASSY DWG, SHIPMENT, MPX550	
DRAWN	AN	DATE	5/15/01	REV.
CHECKED	RL, WH	DATE	7/24/01	1
Q.C.	CW, DS	DATE	7/28/01	
ISSUED	JDM	DATE	7/28/01	
SCALE	N/A	DWG. NO.	080-14914	SHEET 1 OF 1

MATERIAL	MPX550
FINISH	
NEXT ASSY	USED ON
APPLICATION	DO NOT SCALE DRAWING

LEXICON, INC.