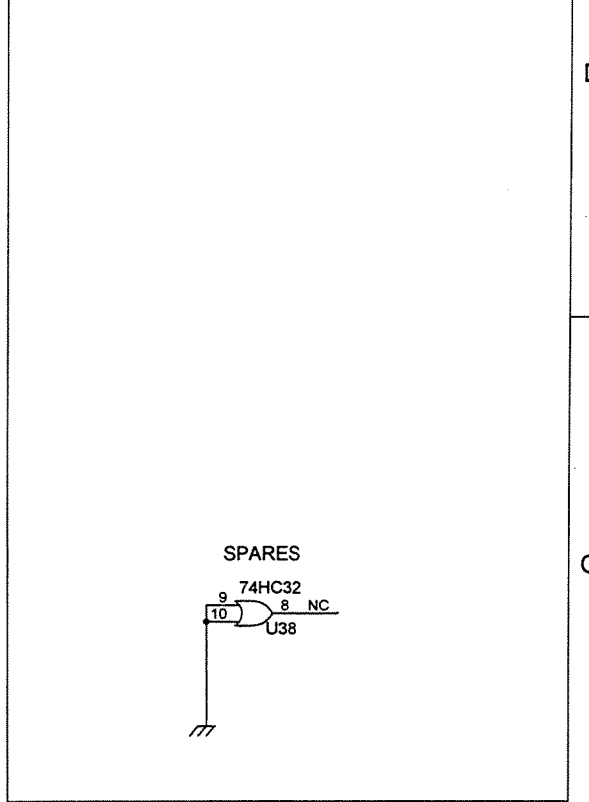


REVISIONS			
REV	DESCRIPTION	DRAFTER CHECKER	Q.C. AUTH.
1	REVISED SHEETS 11&12 PER ECO 971020-01	RWH AF 10/29/97	CW DHS 10/31/97



- NOTES
- UNLESS OTHERWISE INDICATED, RESISTORS ARE 1/10W
 - UNLESS OTHERWISE INDICATED, RESISTORS ARE 5%
 - UNLESS OTHERWISE INDICATED, CAPACITORS ARE UF/V
 - DIGITAL GROUND ANALOG GROUND CHASSIS GROUND POWER GROUND
 - [XXXX] DENOTES [SHEET NUMBER/SECTOR]
 - LAST REFERENCE DESIGNATORS USED:
BAT1, C209, D19, FB20, J23, Q15, R262, RY2, SW1, TX2, U73, W7, Y3

DOCUMENT CONTROL BLOCK: #060-12628

SHEET NUMBER	REVISION NUMBER
1 OF 13	1
2 OF 13	0
3 OF 13	0
4 OF 13	0
5 OF 13	0
6 OF 13	0
7 OF 13	0
8 OF 13	0
9 OF 13	0
10 OF 13	0
11 OF 13	1
12 OF 13	1
13 OF 13	0

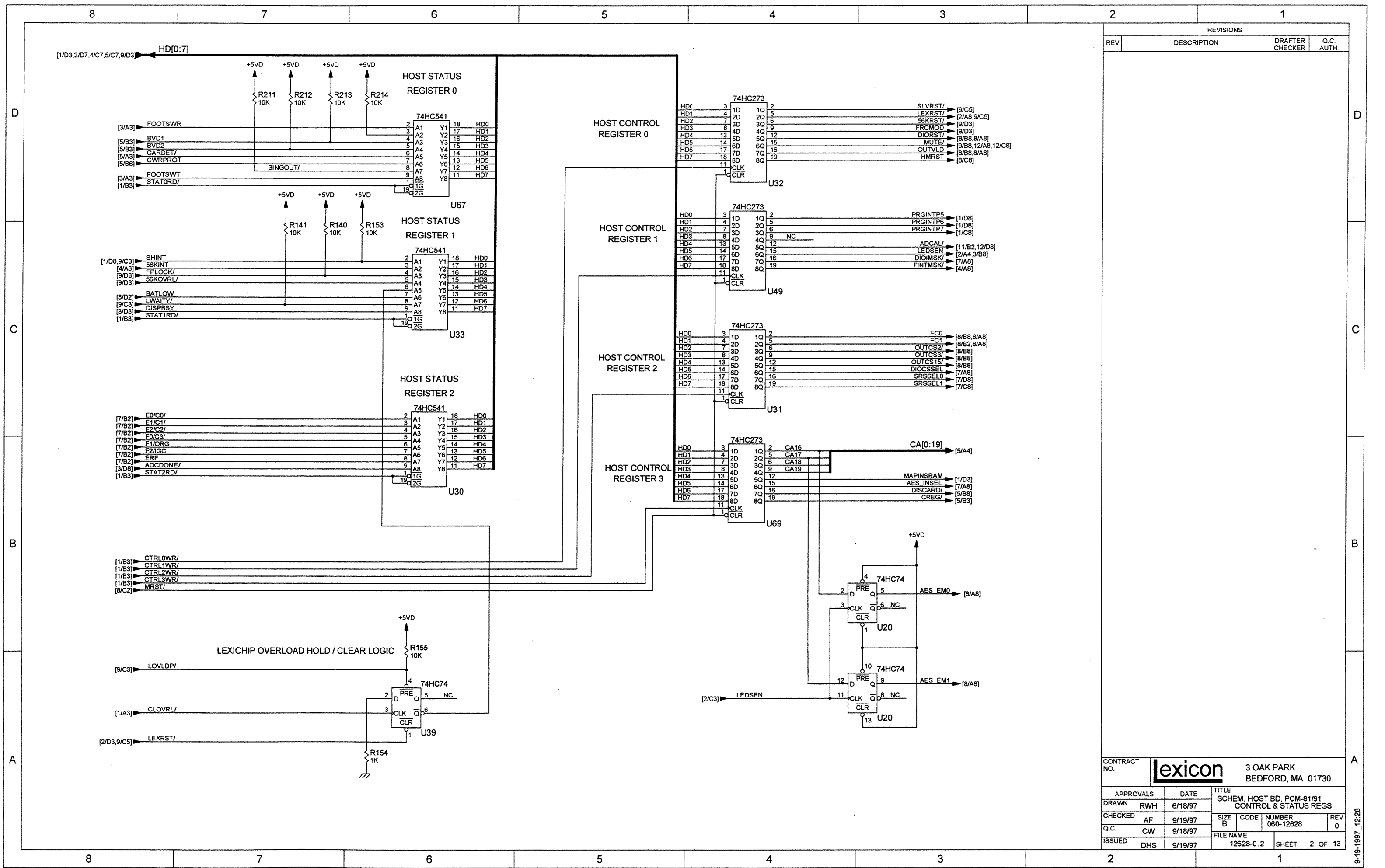
CONTRACT NO. **lexicon** 3 OAK PARK BEDFORD, MA 01730

APPROVALS	DATE	TITLE
DRAWN RWH	6/18/97	SCHEM, HOST BD, PCM-81/91
CHECKED AF	9/19/97	HOST uPROC
Q.C. CW	9/18/97	
ISSUED DHS	9/19/97	

SIZE	CODE	NUMBER	REV
B		060-12628	1

FILE NAME: 12628-1.1 SHEET 1 OF 13

11-24-1997 15:26



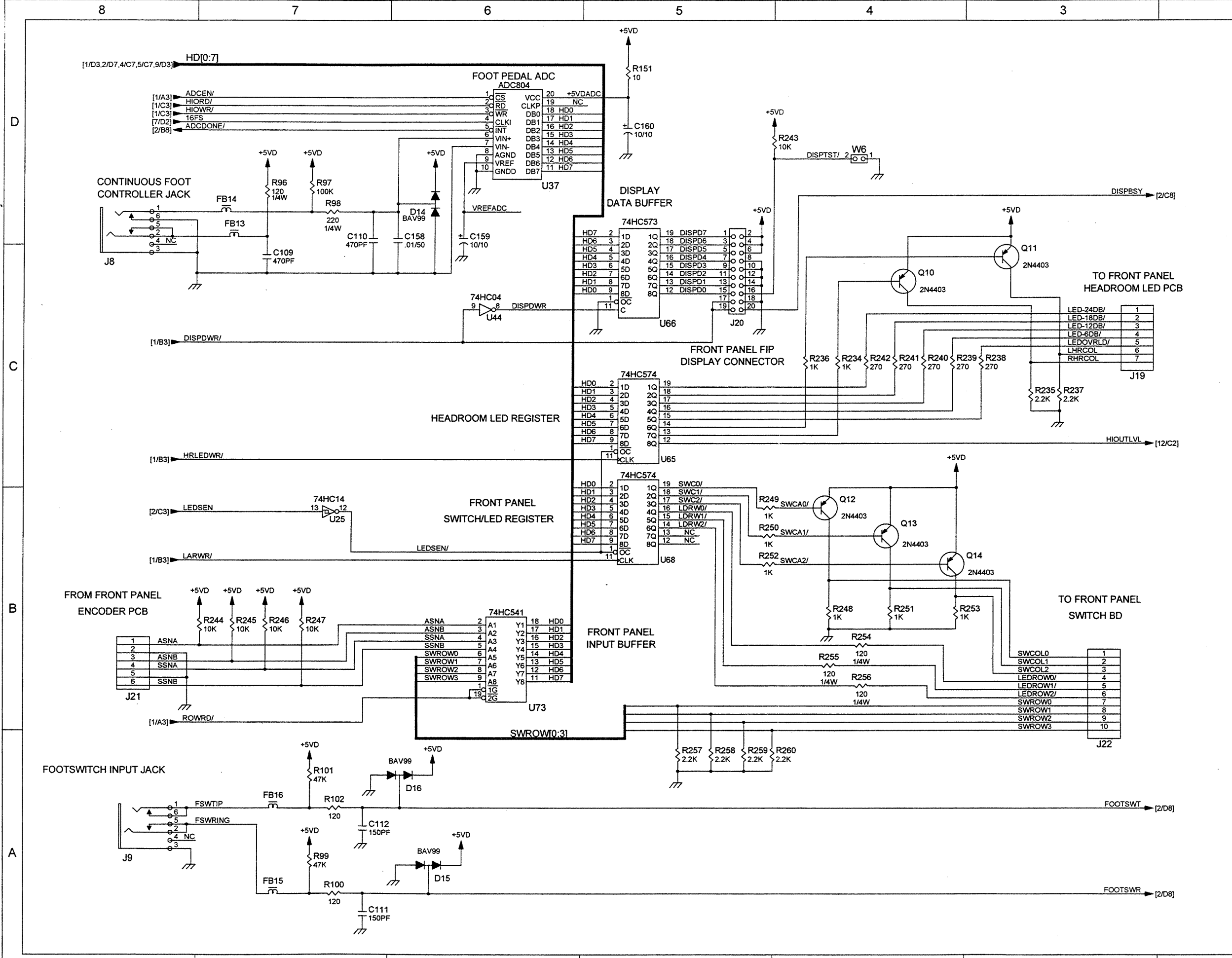
REVISIONS			
REV	DESCRIPTION	DRAFTER CHECKER	Q.C. AUTH.

CONTRACT NO.		lexicon		3 OAK PARK BEDFORD, MA 01730	
APPROVALS	DATE	TITLE			
DRAWN	RWH	6/18/97	SCHEM, HOST BD, PCM-81/91 CONTROL & STATUS REGS		
CHECKED	AF	9/19/97	SIZE	CODE	NUMBER
Q.C.	CW	9/18/97	B		060-12628
ISSUED	DHS	9/19/97	FILE NAME	SHEET	
			12628-0.2	2 OF 13	

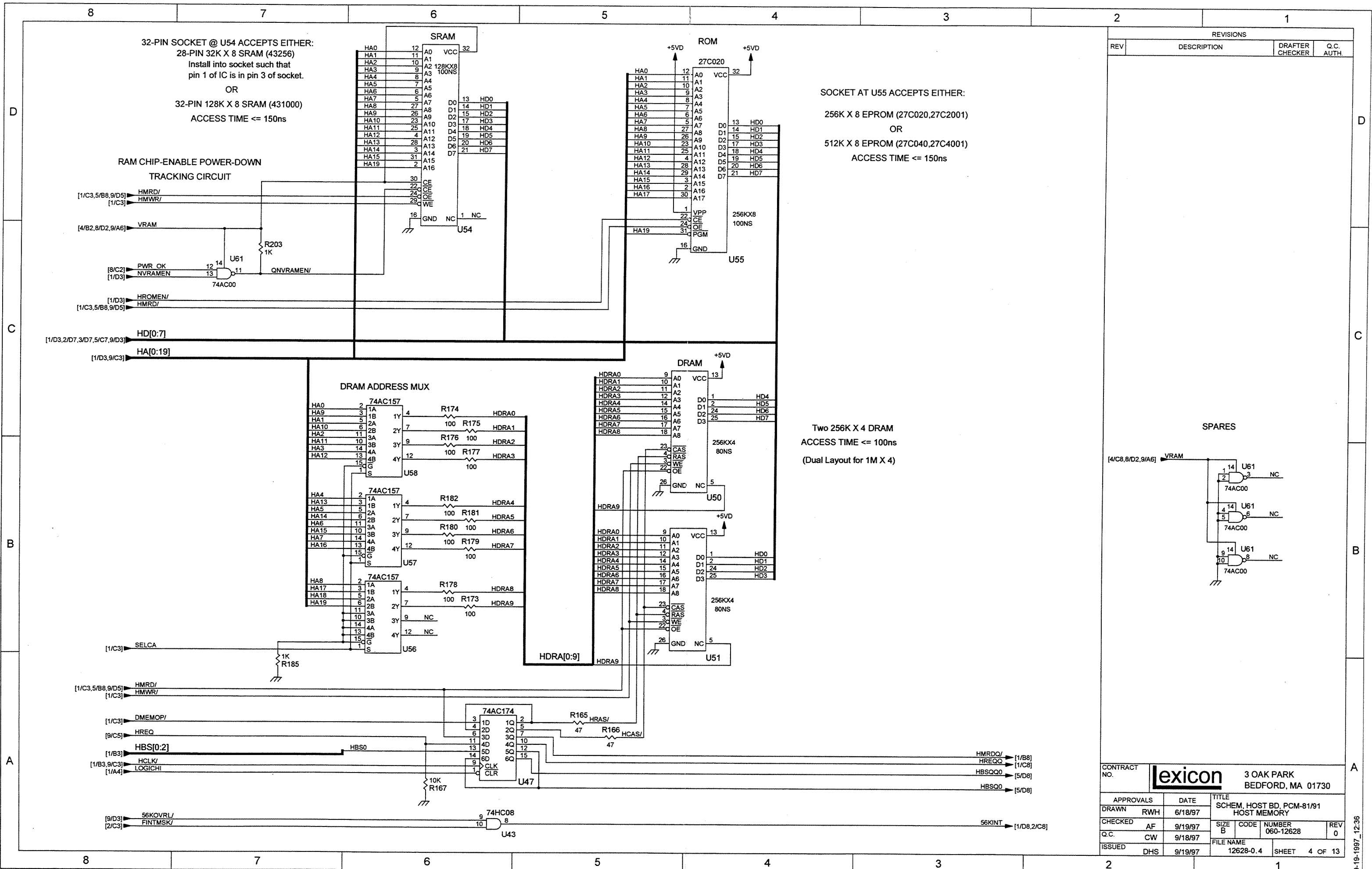
9-19-1997_12.28

REVISIONS			
REV	DESCRIPTION	DRAFTER	Q.C. AUTH.

CONTRACT NO.		lexicon		3 OAK PARK BEDFORD, MA 01730	
APPROVALS	DATE	TITLE			
DRAWN RWH	6/18/97	SCHEM, HOST BD, PCM-81/91 HOST I/O			
CHECKED AF	9/19/97	SIZE B	CODE	NUMBER 060-12628	REV 0
Q.C. CW	9/18/97	FILE NAME			
ISSUED DHS	9/19/97	12628-0.3	SHEET	3 OF 13	



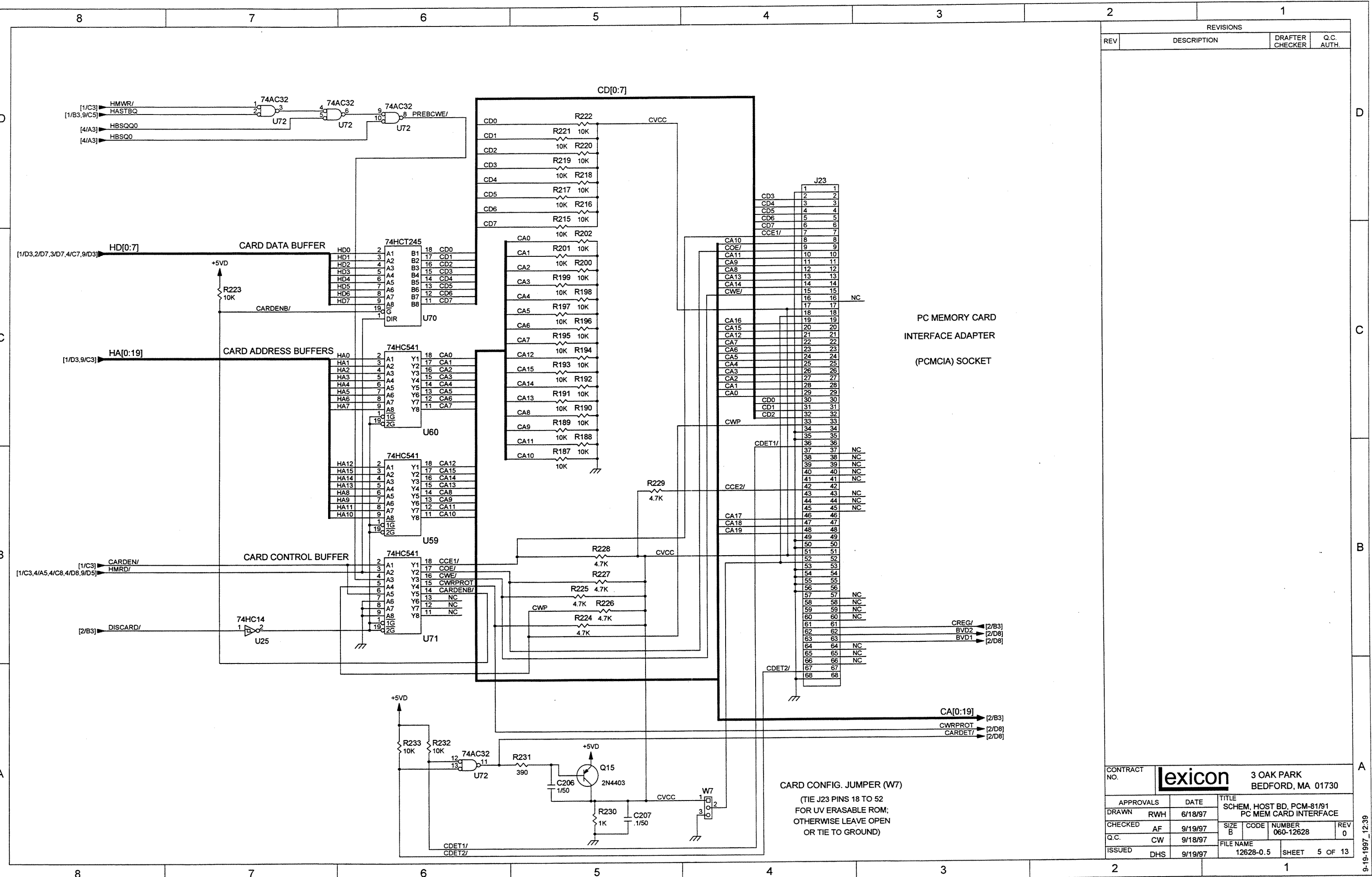
9-18-1997_12:34



REVISIONS			
REV	DESCRIPTION	DRAFTER CHECKER	Q.C. AUTH.

CONTRACT NO.	lexicon	3 OAK PARK BEDFORD, MA 01730
APPROVALS	DATE	TITLE
DRAWN RWH	6/18/97	SCHEM. HOST BD. PCM-81/91
CHECKED AF	9/19/97	HOST MEMORY
Q.C. CW	9/18/97	SIZE B CODE NUMBER
ISSUED DHS	9/19/97	12628-0.4
		REV 0
		SHEET 4 OF 13

9-19-1997 12:36

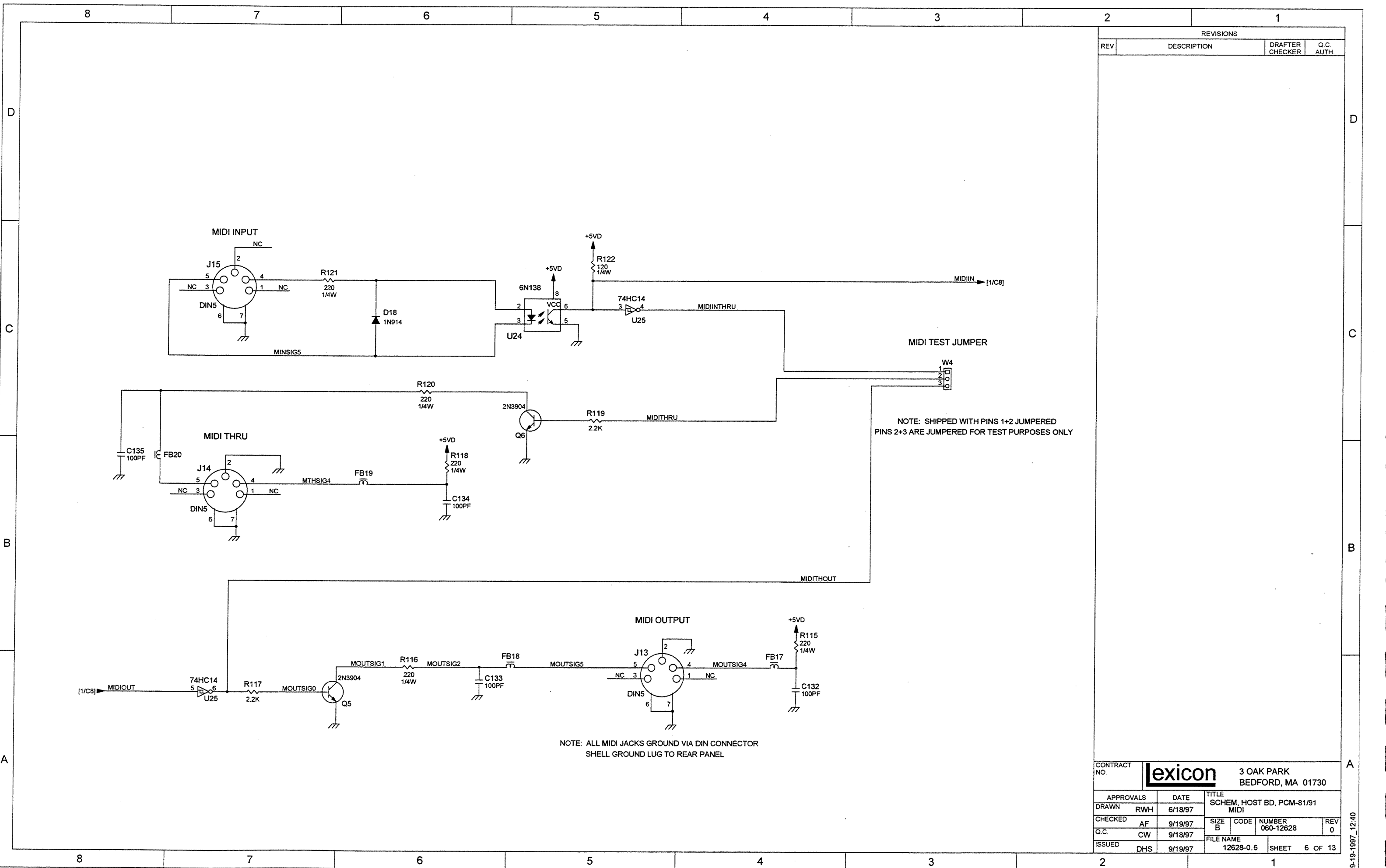


REVISIONS			
REV	DESCRIPTION	DRAFTER CHECKER	Q.C. AUTH.

CONTRACT NO.	lexicon		3 OAK PARK BEDFORD, MA 01730
APPROVALS	DATE	TITLE	
DRAWN RWH	6/18/97	SCHEM. HOST BD, PCM-81/91 PC MEM CARD INTERFACE	
CHECKED AF	9/19/97	SIZE B	CODE NUMBER
Q.C. CW	9/18/97	060-12628	REV 0
ISSUED DHS	9/19/97	FILE NAME	12628-0.5
		SHEET	5 OF 13

CARD CONFIG. JUMPER (W7)
 (TIE J23 PINS 18 TO 52
 FOR UV ERASABLE ROM.
 OTHERWISE LEAVE OPEN
 OR TIE TO GROUND)

9-19-1997_12:39



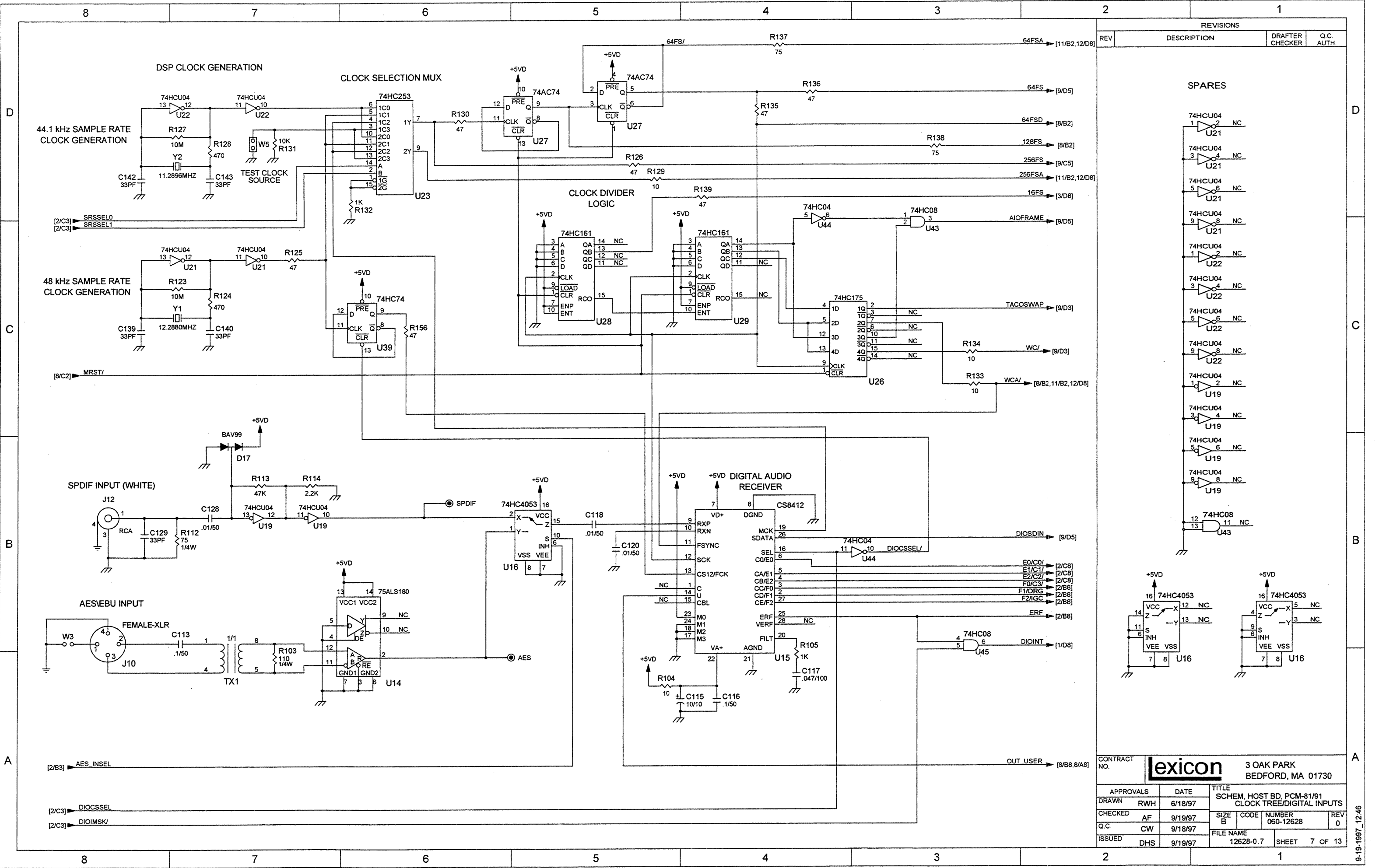
REVISIONS			
REV	DESCRIPTION	DRAFTER CHECKER	Q.C. AUTH.

NOTE: SHIPPED WITH PINS 1+2 JUMPERED
PINS 2+3 ARE JUMPERED FOR TEST PURPOSES ONLY

NOTE: ALL MIDI JACKS GROUND VIA DIN CONNECTOR
SHELL GROUND LUG TO REAR PANEL

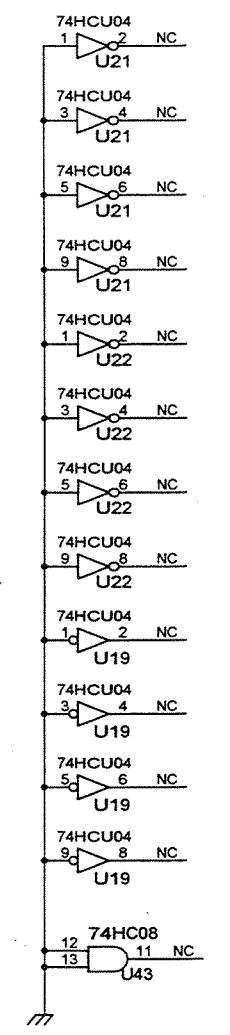
CONTRACT NO.		lexicon		3 OAK PARK BEDFORD, MA 01730	
APPROVALS	DATE	TITLE			
DRAWN	RWH	6/18/97	SCHEM, HOST BD, PCM-81/91 MIDI		
CHECKED	AF	9/19/97	SIZE	CODE	NUMBER
Q.C.	CW	9/18/97	B		060-12628
ISSUED	DHS	9/19/97	FILE NAME	REV	
			12628-0.6	SHEET	6 OF 13

9-19-1997 12:40



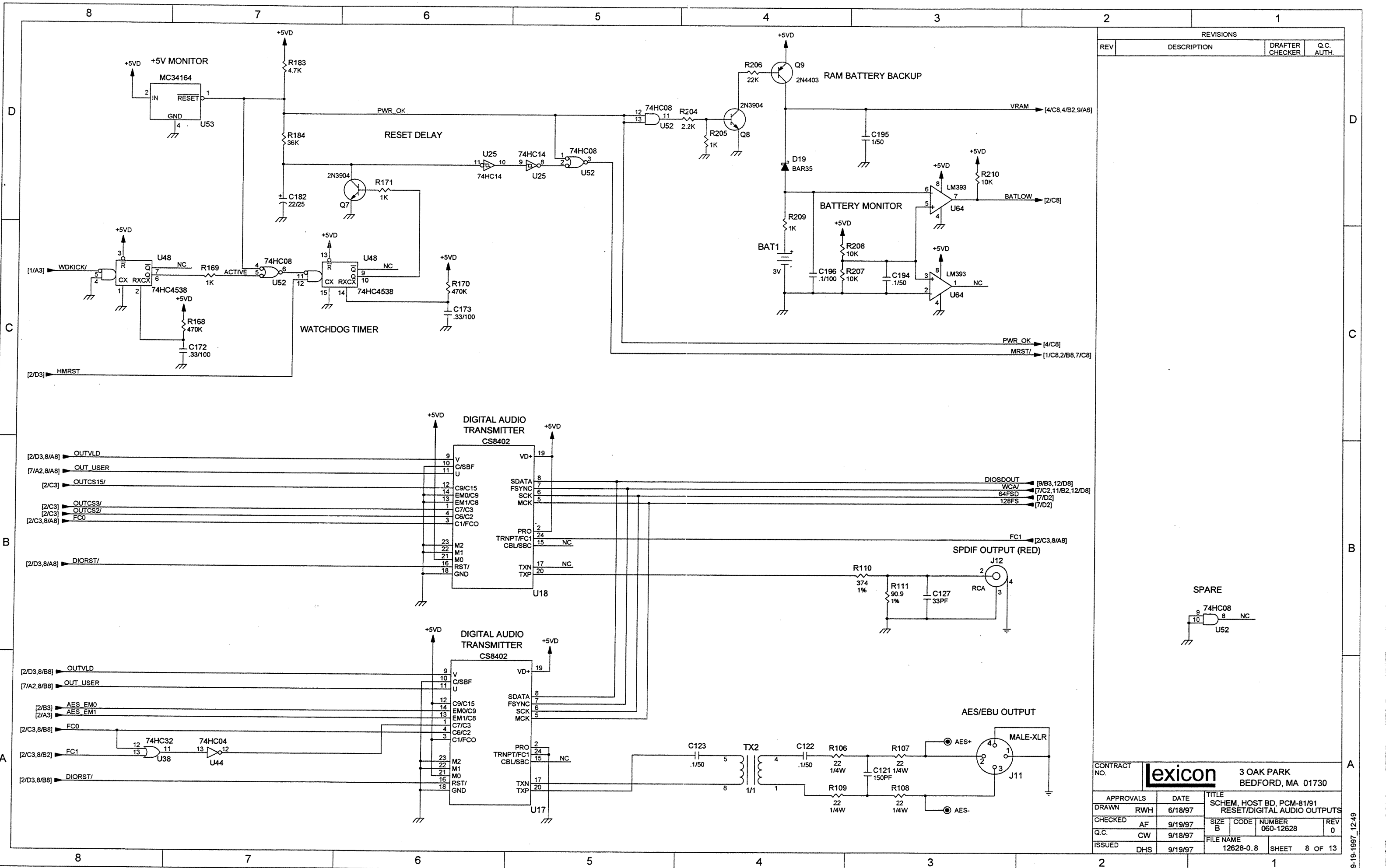
REVISIONS			
REV	DESCRIPTION	DRAFTER	Q.C. AUTH.

SPARES



CONTRACT NO.		lexicon		3 OAK PARK BEDFORD, MA 01730	
APPROVALS	DATE	TITLE			
DRAWN RWH	6/18/97	SCHEM. HOST BD. PCM-81/91 CLOCK TREE/DIGITAL INPUTS			
CHECKED AF	9/19/97	SIZE B	CODE	NUMBER 060-12628	REV 0
Q.C. CW	9/18/97	FILE NAME		12628-0.7	SHEET 7 OF 13
ISSUED DHS	9/19/97				

9-19-1997_12-46

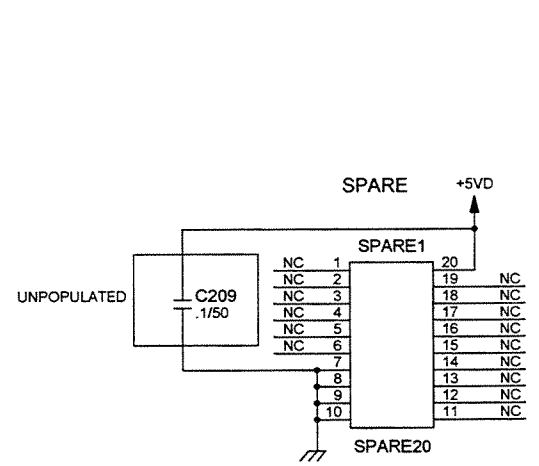


REVISIONS			
REV	DESCRIPTION	DRAFTER CHECKER	Q.C. AUTH.

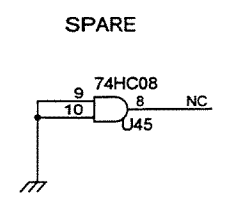
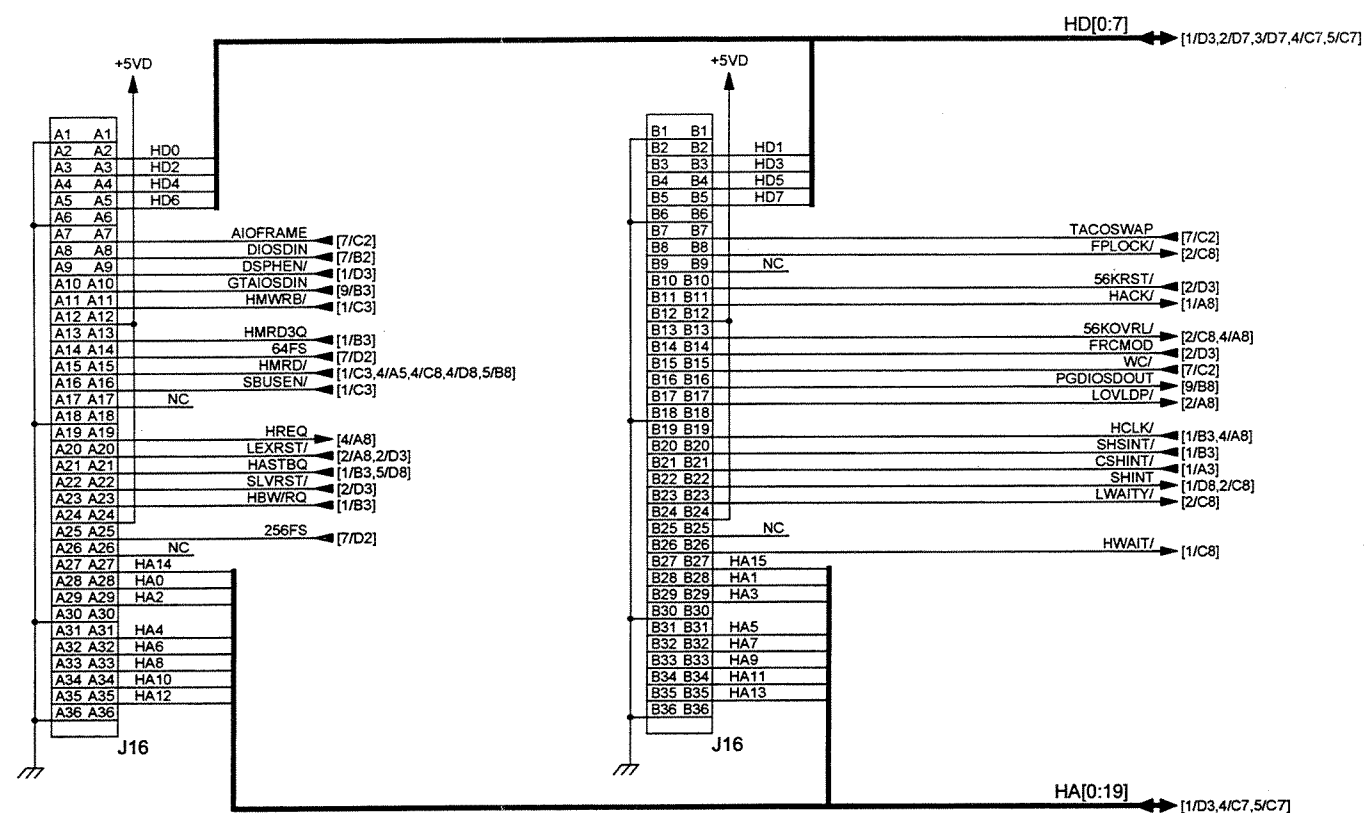
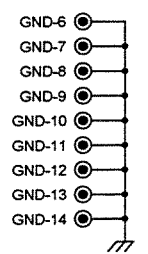
CONTRACT NO.	lexicon	3 OAK PARK BEDFORD, MA 01730
APPROVALS	DATE	TITLE
DRAWN RWH	6/18/97	SCHEM. HOST BD, PCM-81/91 RESET/DIGITAL AUDIO OUTPUTS
CHECKED AF	9/19/97	SIZE B CODE NUMBER
Q.C. CW	9/18/97	060-12628 REV 0
ISSUED DHS	9/19/97	FILE NAME 12628-0.8 SHEET 8 OF 13

9-19-1997_12:49

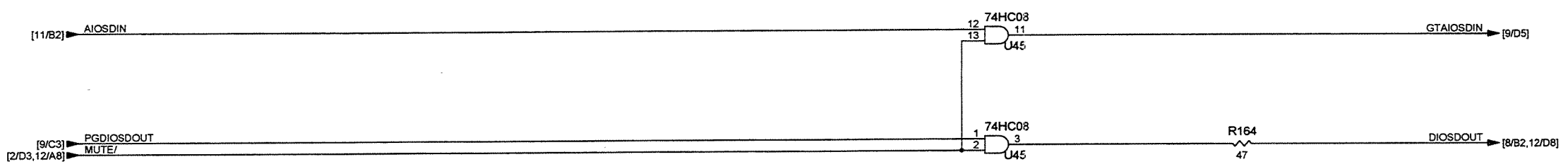
REVISIONS			
REV	DESCRIPTION	DRAFTER CHECKER	Q.C. AUTH.



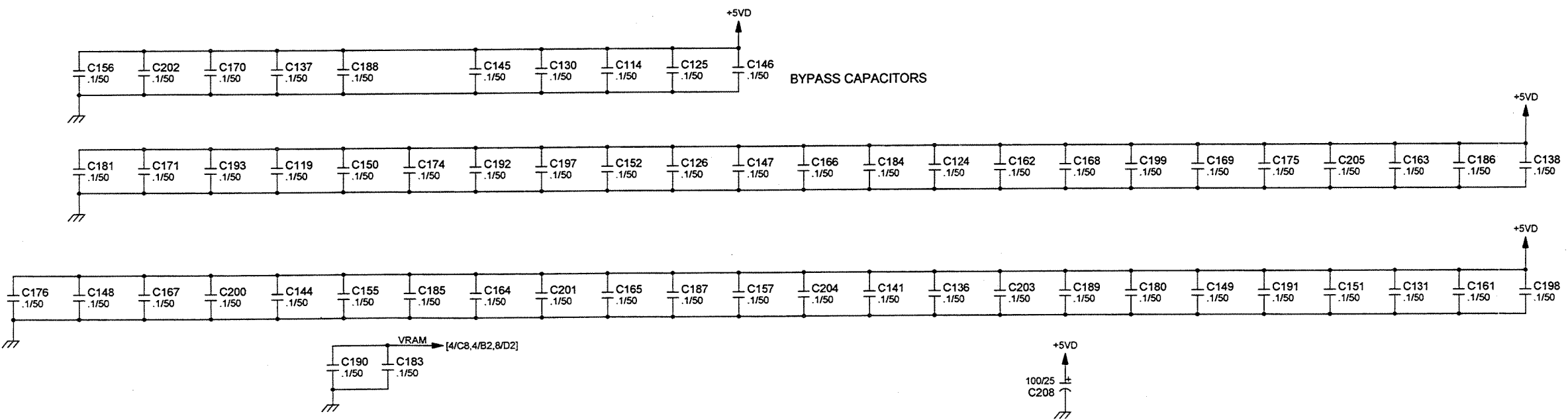
J16 IS CONNECTED
TO DSP BOARD
(SEE NOTE 1)



SERIAL I/O MUTING LOGIC



BYPASS CAPACITORS



NOTES

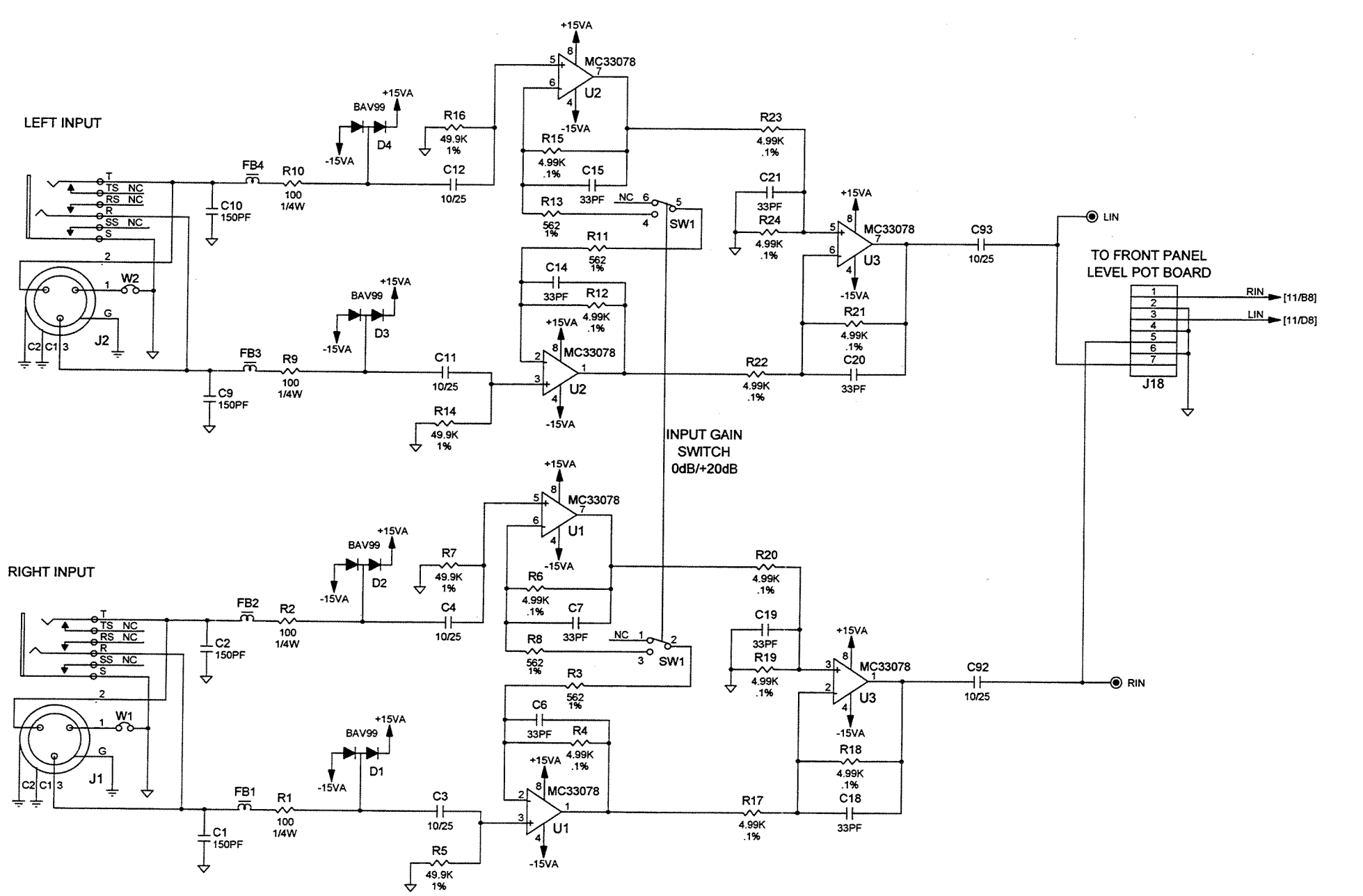
1. SIGNAL NAMES SHOWN ON J16 REPRESENT THE CIRCUIT CONNECTIONS ON THE HOST BOARD. THE DSP BOARD SIGNALS TO WHICH THEY ARE CONNECTED ARE LISTED IN THE TABLE BELOW

PIN	PCM-80 DSP SIGNAL NAME	PCM-90 DSP SIGNAL NAME
A9	DSPHEN/	N/C
A13	HMRD3Q	N/C
A19	HREQ	N/C
A22	SLVRST/	SLVRSTX/
A25	N/C	N/C
A26	FMIRQB/	N/C
B7	TACOSWAP	N/C
B8	FPLOCK/	LWAITX/
B10	56KRST/	N/C
B11	HACK/	N/C
B13	56KOVRL/	SHINTY
B14	FRCMOD	SLVRSTY
B17	LOVLDP/	LCCLK0X
B21	CSHINT/	N/C
B22	SHINT	SHINTX
B23	N/C	LWAITY/
B27	N/C	HA15

CONTRACT NO. **lexicon** 3 OAK PARK BEDFORD, MA 01730

APPROVALS	DATE	TITLE		
DRAWN RWH	6/18/97	SCHEM, HOST BD, PCM-81/91 DSP BD CONN/BYPASS CAPS		
CHECKED AF	9/19/97	SIZE B	CODE	NUMBER 060-12628
Q.C. CW	9/18/97	FILE NAME	12628-0.9	REV 0
ISSUED DHS	9/19/97	SHEET	9 OF 13	

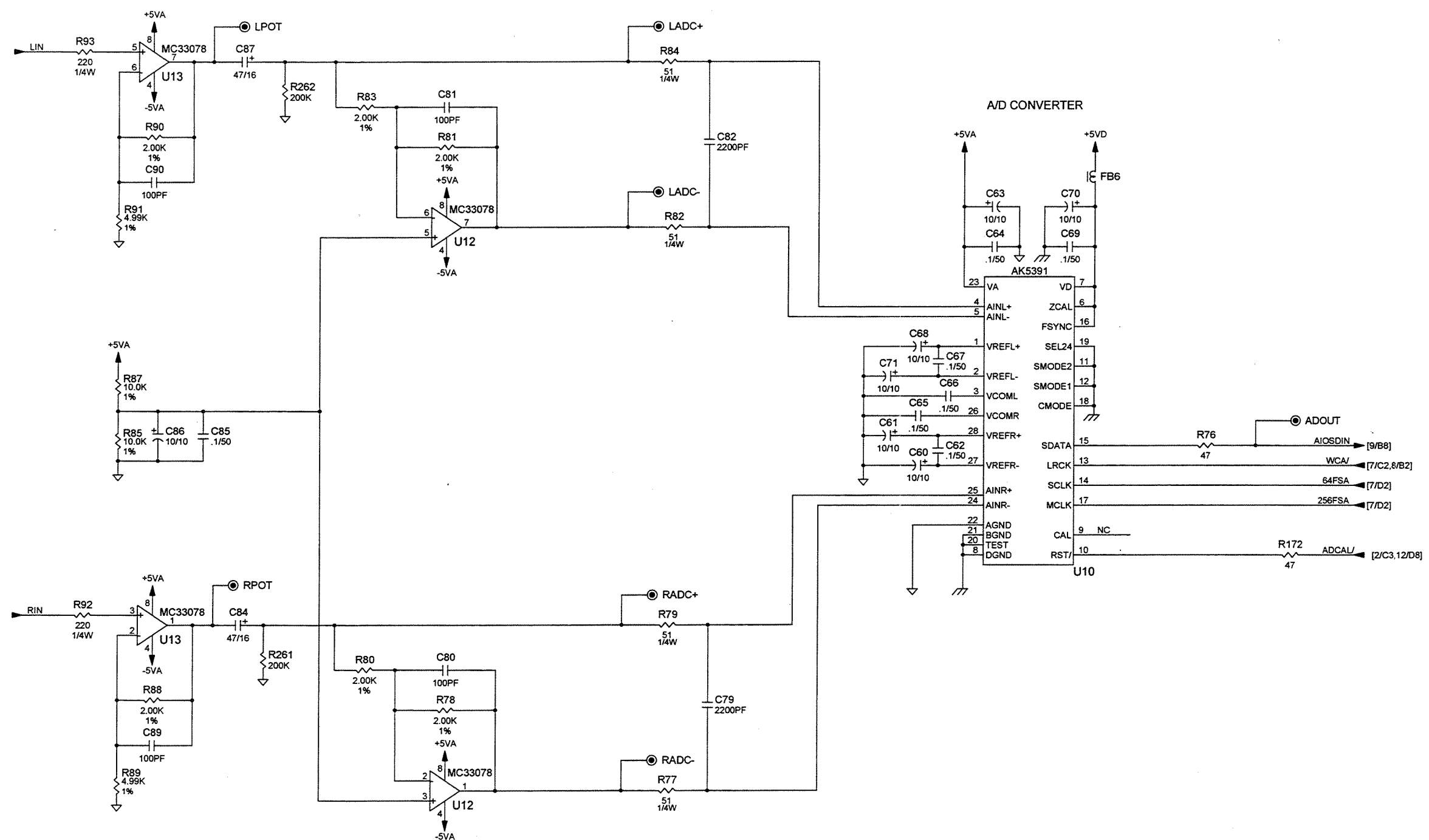
REVISIONS			
REV	DESCRIPTION	DRAFTER CHECKER	Q.C. AUTH.



CONTRACT NO.		lexicon		3 OAK PARK BEDFORD, MA 01730	
APPROVALS	DATE	TITLE			
DRAWN RWH	6/18/97	SCHEM. HOST BD. PCM-81/91 ANALOG INPUTS			
CHECKED AF	9/19/97	SIZE B	CODE	NUMBER 060-12628	REV 0
ISSUED DHS	9/19/97	FILE NAME		12628-0.10	SHEET 10 OF 13

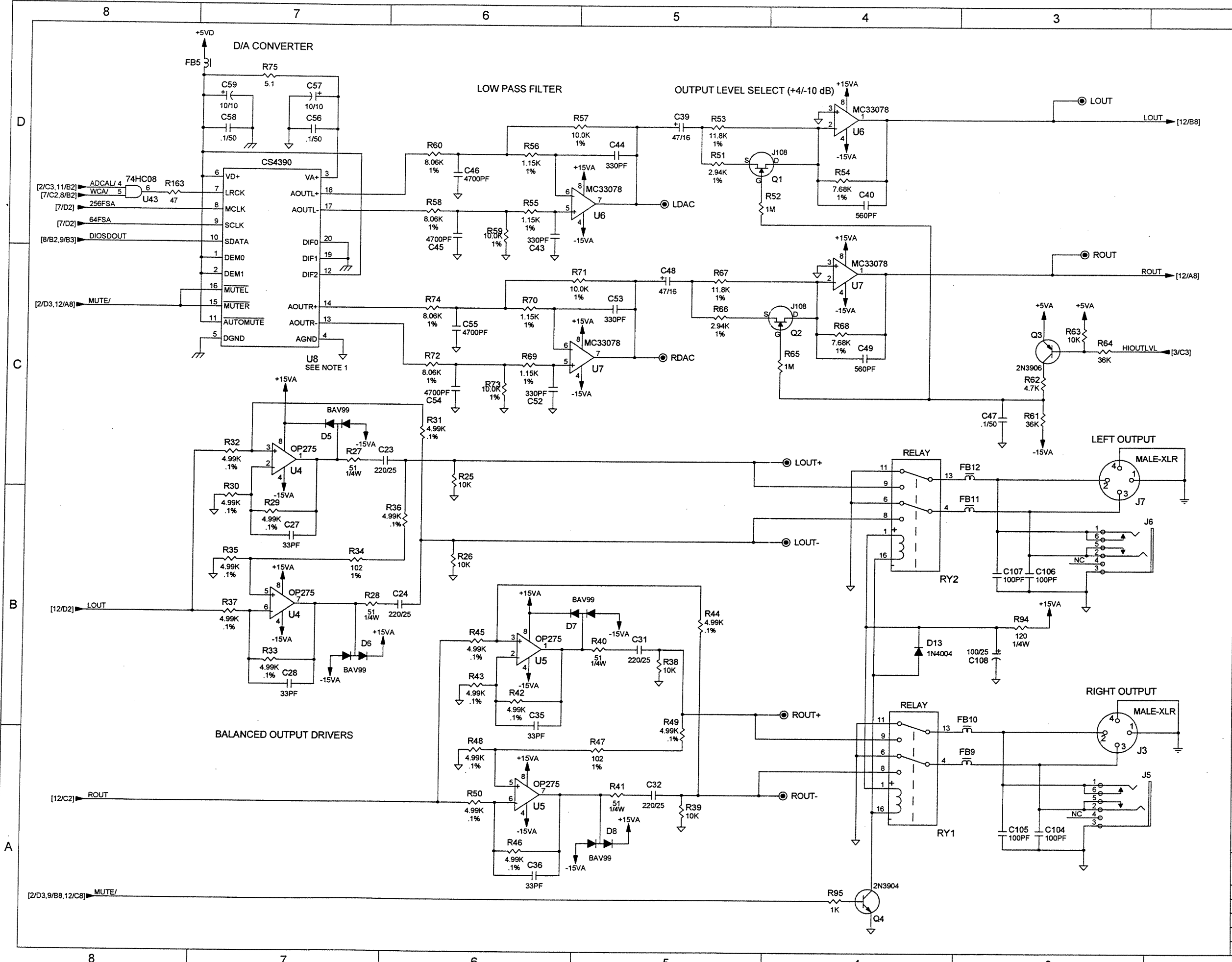
9-19-1997_12:58

REVISIONS			
REV	DESCRIPTION	DRAFTER CHECKER	Q.C. AUTH
1	ADDED R261 & R262. DELETED R86 PER ECO 971020-01	RWH 10/20/97 AF 10/29/97	CW 10/29/97 DHS 10/31/97



CONTRACT NO.	lexicon	3 OAK PARK BEDFORD, MA 01730
APPROVALS	DATE	TITLE
DRAWN RWH	6/18/97	SCHEM, HOST BD, PCM-81/91 A TO D CONVERSION
CHECKED AF	9/19/97	SIZE B CODE NUMBER 060-12628
Q.C. CW	9/18/97	FILE NAME 12628-1.11
ISSUED DHS	9/19/97	SHEET 11 OF 13

11-24-1997_15:26



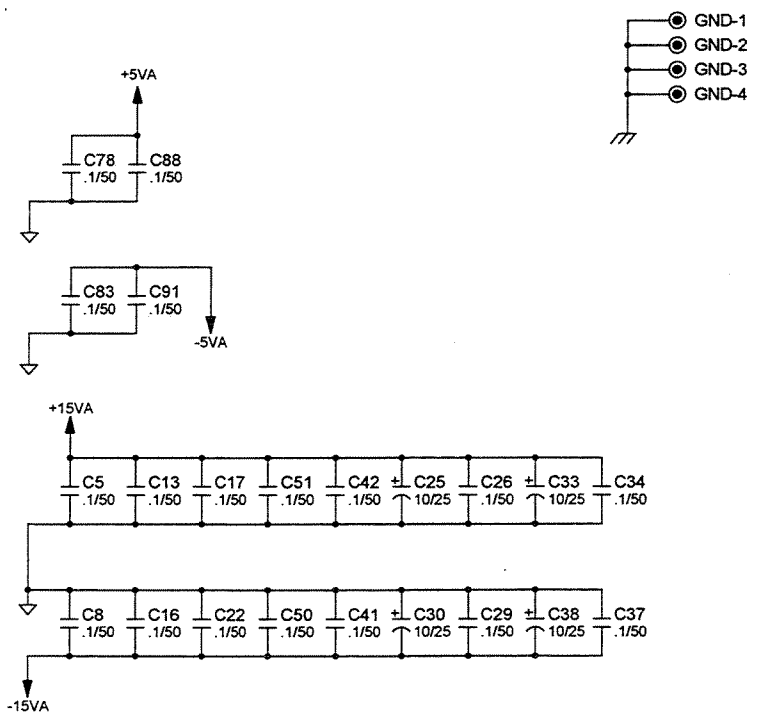
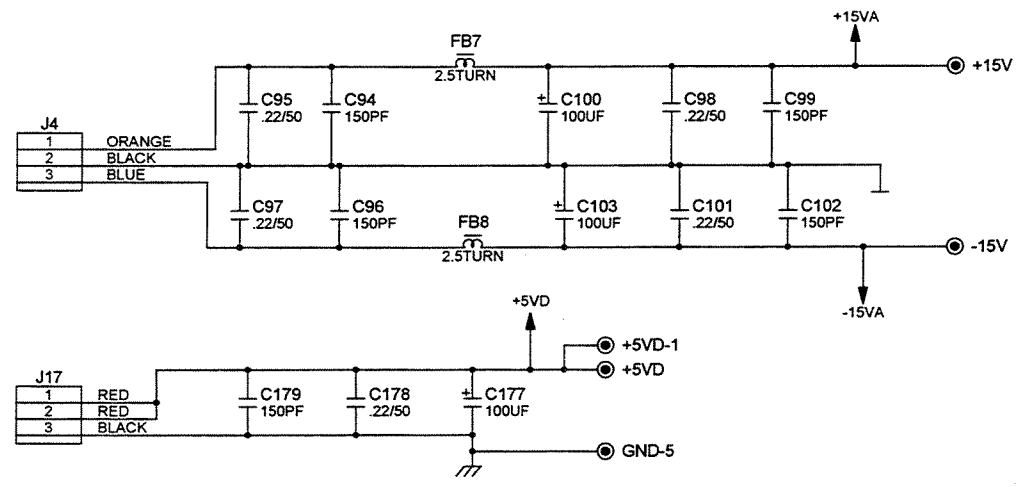
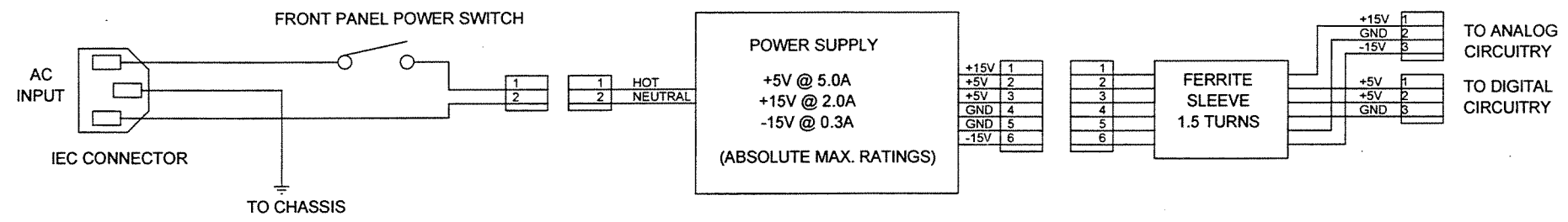
REVISIONS			
REV	DESCRIPTION	DRAFTER	Q.C. AUTH.
1	REVISE DAC FROM CS4329 TO CS4390 PER ECO 971020-01	RWH 10/20/97 AF 10/29/97	CW 10/29/97 DHS 10/31/97

NOTES
1 CS4329 DACs MAY BE INSTALLED AT LOCATION U8

CONTRACT NO.		lexicon		3 OAK PARK BEDFORD, MA 01730	
APPROVALS	DATE	TITLE			
DRAWN RWH	6/18/97	SCHEM. HOST BD, PCM-81/91 DAC & OUTPUTS			
CHECKED AF	9/19/97	SIZE B	CODE	NUMBER 060-12628	REV 1
Q.C. CW	9/18/97	FILE NAME		12628-1.12	SHEET 12 OF 13
ISSUED DHS	9/19/97				

11-24-1997_16:35

REVISIONS			
REV	DESCRIPTION	DRAFTER CHECKER	Q.C. AUTH.



CONTRACT NO.		lexicon		3 OAK PARK BEDFORD, MA 01730	
APPROVALS	DATE	TITLE			
DRAWN RWH	6/18/97	SCHEM, HOST BD, PCM-81/91 POWER SUPPLY			
CHECKED AF	9/19/97	SIZE B	CODE	NUMBER 060-12628	REV 0
Q.C. CW	9/18/97	FILE NAME			
ISSUED DHS	9/19/97	12628-1.13	SHEET	13 OF 13	

10-23-1997_13:20