

REV.	DESCRIPTION	DRAFTER CHECKER	G.C. AUTH
0	RELEASE FOR PRODUCTION	J.V. 8/1/88 LDR 8/1/88	LDR 8/1/88
1	REMOVE C21 & C24 PER ECO#880324-00. REMOVE U11 HEATSINK SCREW & NUT	J.V. 4/14/88 LDR 4/14/88	LDR 4/14/88
2	LED DIMS ADDED ECO#880427-00	LDR 4/27/88 LDR 4/27/88	LDR 4/27/88
3	ADDED GROUND LUGS PER ECO#880527-00	J.V. 6/14/88 LDR 6/14/88	LDR 6/14/88

**NOTES**

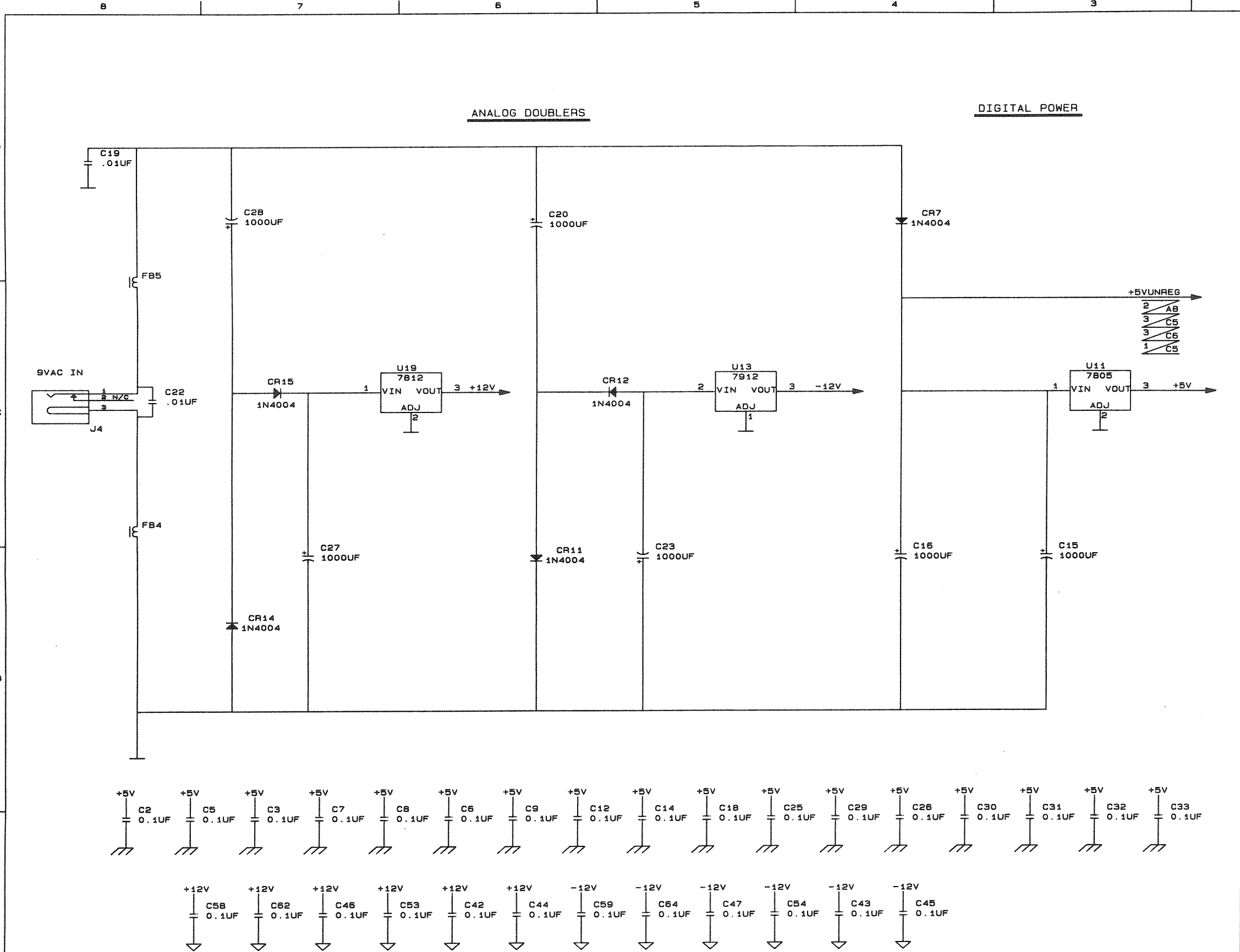
- REFER TO LEXICON BOM NO. 025-08008, 024-08007
- ALL COMPONENTS TO BE INSTALLED FROM COMPONENT SIDE OF P.C.B.
- MASKING FOR POST-SOLDER ASSEMBLY IS INDICATED BY SOLID AREAS ■ ●
- COMPONENT HEIGHT .900" MAXIMUM
- LEAD PROTRUSIONS .080" MAXIMUM FROM CIRCUIT SIDE OF P.C.B.
- SOCKET IC POSITIONS: U2, 6, 8-10, 14, 15, 17, 18, 21, AND 22
- USE PN 840-01706, #4-40X3/8" FWH SCREW AND PN 843-01732, #4X40 KERNUT FOR MOUNTING U11, 13, AND U19
- PLACE JUMPER BLOCK PN 490-02356 OVER POSTS OF W8.
- PLACE DOUBLE STICK FOAM TAPE PN 720-02751 UNDER Y1 AS SHOWN.
- BE SURE ALL SOCKETS, BATTERY, AND ELECTRO-MECHANICAL PARTS ARE SEATED PROPERLY.
- DO NOT INSTALL C21 & C24.
- BEND SOLDER LUGS UNDER PCB AND SOLDER TO J8 & J5 CENTER PIN.

C LEXICON, INC. 178E

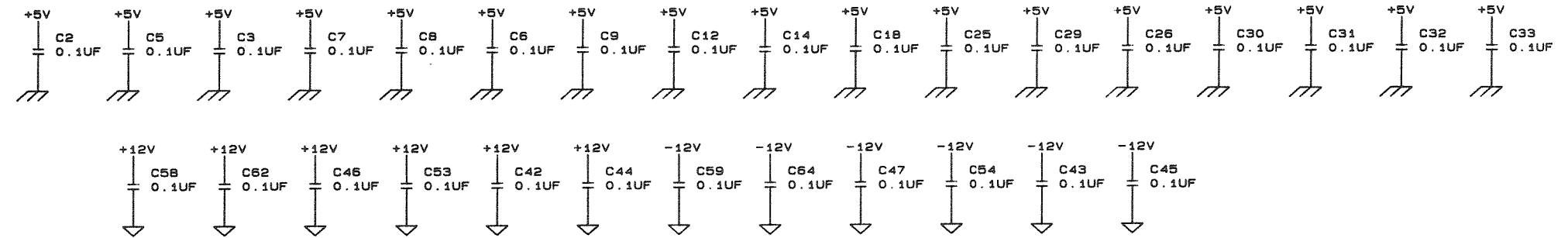
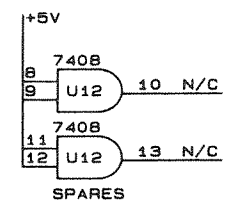
MADE IN USA  
710-08010  
REV. 2

.23 REF  
.08 TYP  
3 PLCS  
.237  
TYP 3 PLCS

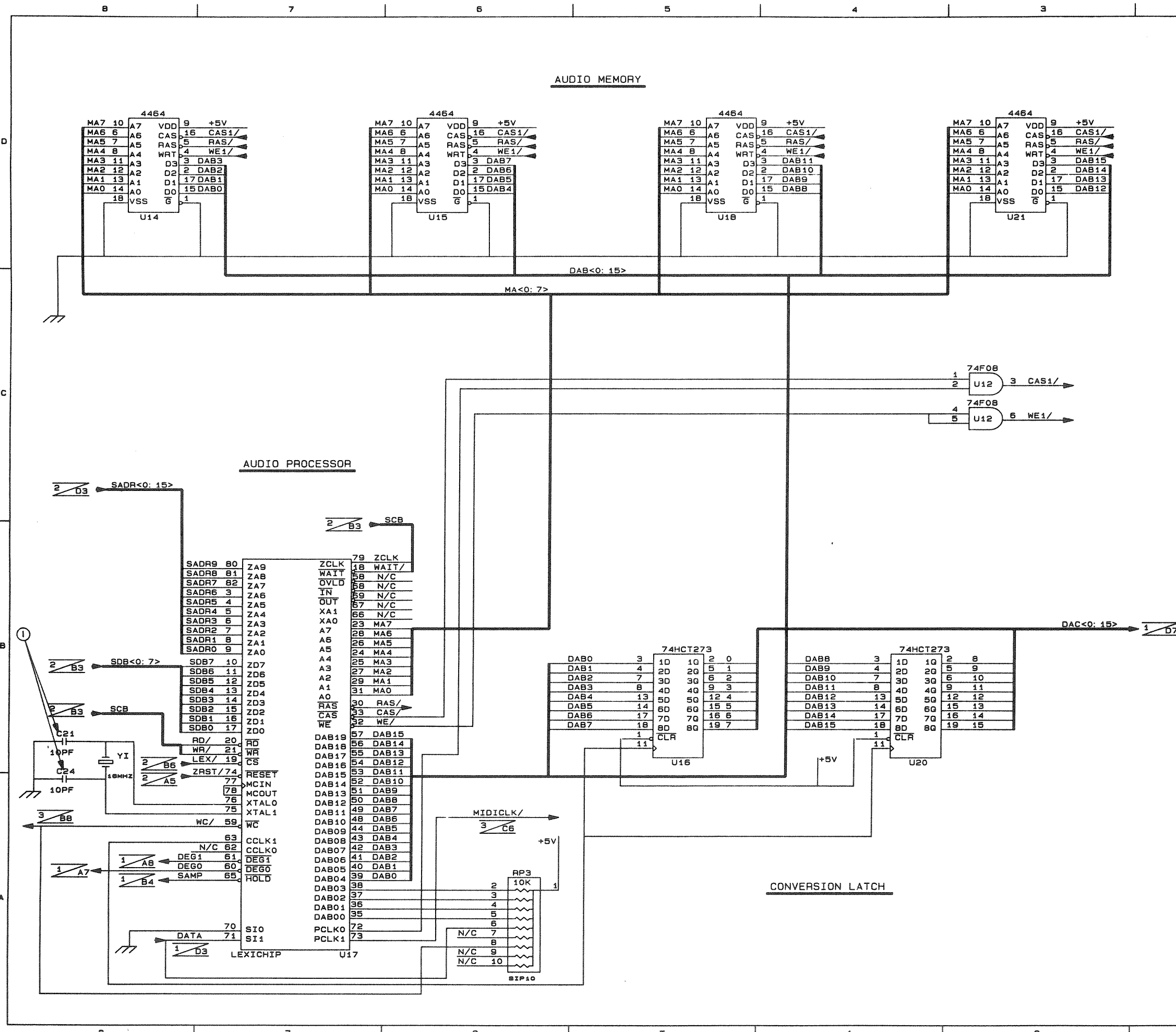
UNLESS OTHERWISE SPECIFIED DIMENSIONS ARE IN INCHES TOLERANCES ARE FRACTIONS DECIMALS ANGLES .XX .XXX		CONTRACT NO.		lexicon	
MATERIAL		APPROVALS	DATE	PC BD, LXP-1	
FINISH		DRAWN J.V.	2/16/88	ASSEMBLY DRAWING	
NEXT ASSY	USED ON	CHECKED LDR	2/16/88	SIZE	PCB NO.
APPLICATION		G.C.	LDR	DWG. NO.	080-08015
DO NOT SCALE DRAWING		ISSUED	2-16-88	SCALE	1:1
					SHEET 1 OF 1



REVISIONS			
REV	DESCRIPTION	DRAWN/CHECKER	G.C./AUTHORIZED
0	RELEASE FOR PROTOTYPE	TM 12/14/87	DS 12/14/87
1	PRODUCTION RELEASE	TM 2/17/88 DWA	BH 12/14/87 DWA
2	CHANGED TITLE	J.V. 4/14/88	BH 2-12-88 DWA



CONTRACT NO.	lexicon 100 BEAVER ST. WALTHAM, MA 02154		
APPROVALS	DATE	TITLE	
DRAWN TM	10/27/87	SCHEMATIC, LXP - 1 POWER SUPPLY	
CHECKED DS	10/27/87	SIZE	NUMBER
ISSUED DS	10/27/87	D	060-06016
G.C. BH	10/27/87		2

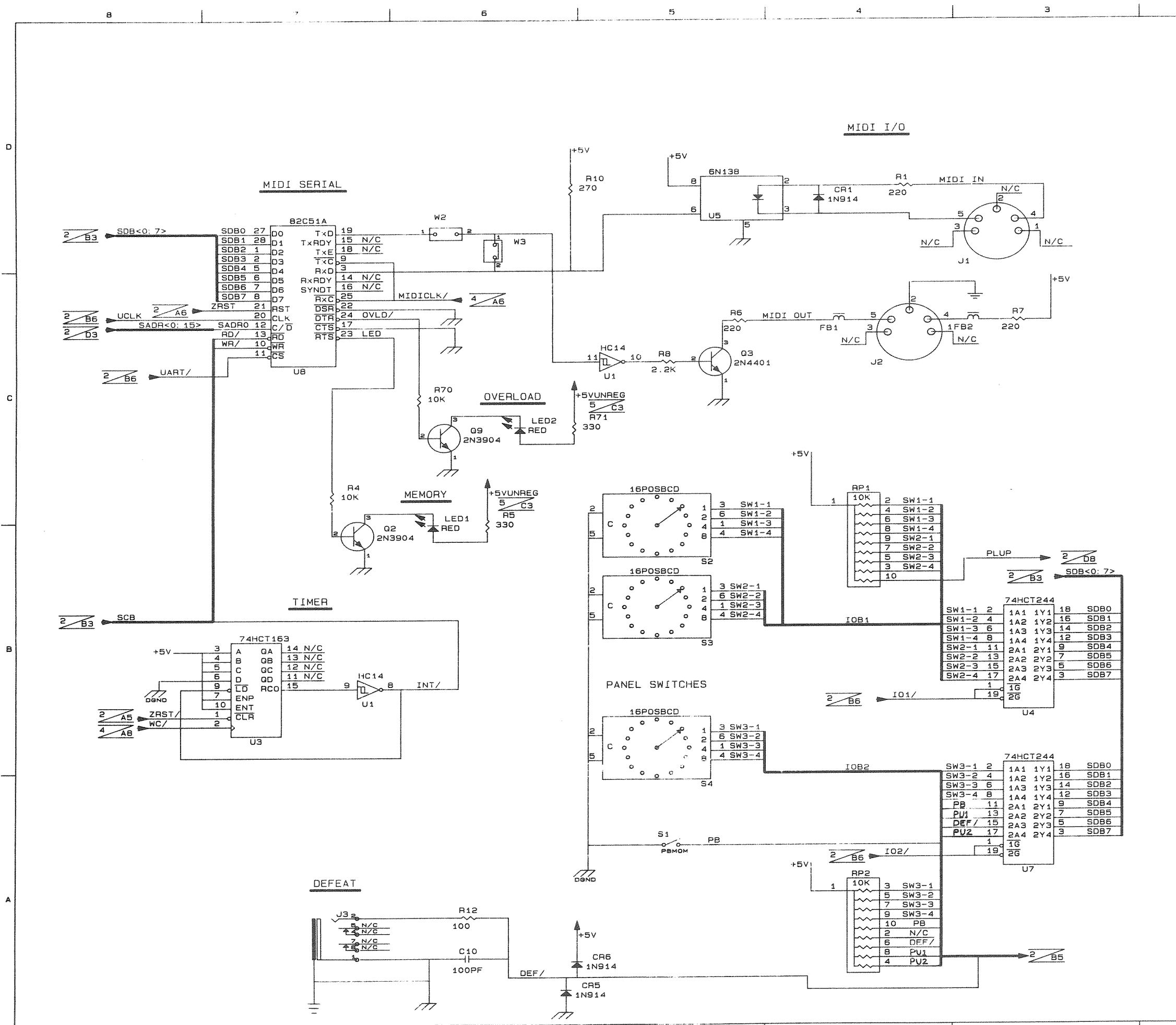


REVISIONS			
REV	DESCRIPTION	DRAFTER/CHECKER	Q.C./AUTHORIZED
0	RELEASE FOR PROTOTYPE	TM 12/14/87	DB 12/14/87
1	PRODUCTION RELEASE	MH 1/17/88 DWA	BH 12/14/87 R-17-88 CWA
2	ADDED NOTE ① PER ECO# 880324-00, CHANGED TITLE	JV 4/14/88 1/11/2003	R-17-88 1/11/88 DWA

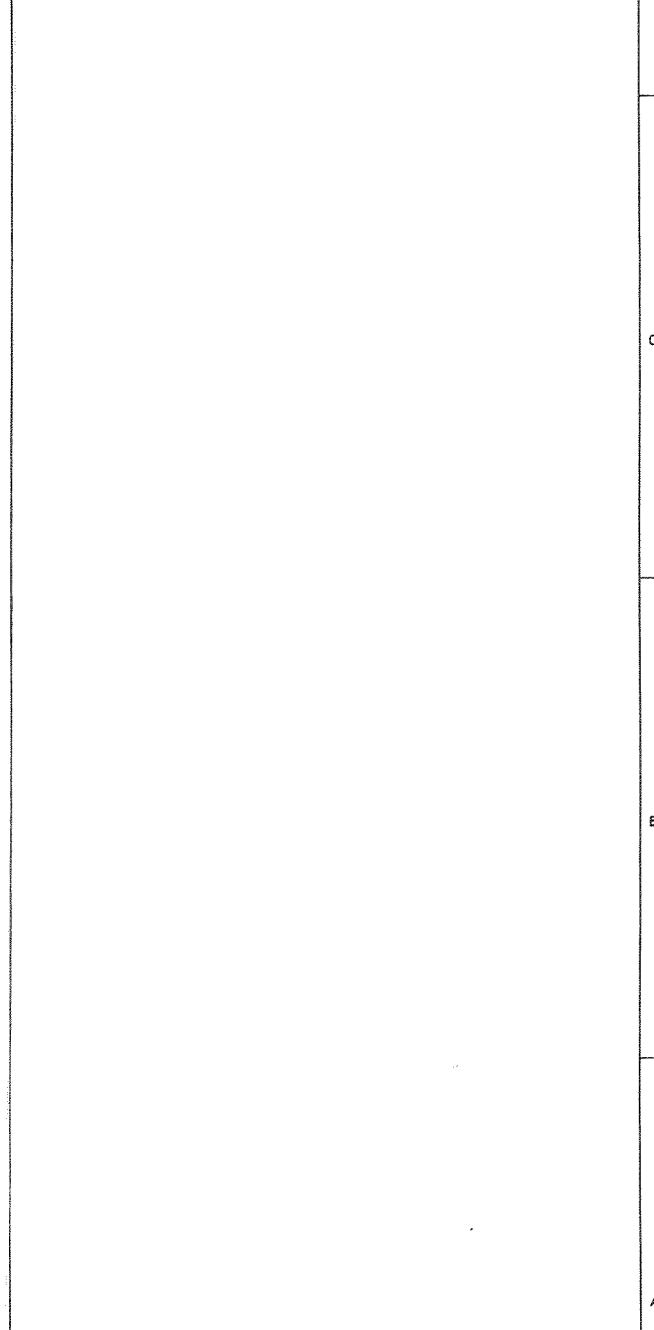
NOTES

① DO NOT INSTALL C21 & C24.

CONTRACT NO.	lexicon 100 BEAVER ST. WALTHAM, MA 02154			
APPROVALS	DATE	TITLE		
TM	10/27/87	SCHEMATIC, LXP - 1		
DS	10/27/87	LEXICHIIP, DRAM		
DS	10/27/87	SIZE	CODE	NUMBER
DS	10/27/87	D		060-06016
Q.C.	BH	REV.	2	
		SHEET 4 OF 5		



REVISIONS			
REV	DESCRIPTION	DRAFTER/CHECKER	AUTHORIZED
0	RELEASE FOR PROTOTYPE	TM 12/14/87	DB 12/14/87
1	PRODUCTION RELEASE	DB 12/14/87	BH 12/14/87
2	CHANGE PER ECO NO. 880223-00 CONNECTED RP2B AND RP24 TO U2.13 AND U2.17	RV 3/16/88	RV 3/28/88
3	CHANGED TITLE	J.V. 4/14/88	J.V. 4/14/88
4	CHANGED SHEETS 1A, 1B, 1C, 1D, 1E, 1F, 1G, 1H, 1I, 1J, 1K, 1L, 1M, 1N, 1O, 1P, 1Q, 1R, 1S, 1T, 1U, 1V, 1W, 1X, 1Y, 1Z, 1AA, 1AB, 1AC, 1AD, 1AE, 1AF, 1AG, 1AH, 1AI, 1AJ, 1AK, 1AL, 1AM, 1AN, 1AO, 1AP, 1AQ, 1AR, 1AS, 1AT, 1AU, 1AV, 1AW, 1AX, 1AY, 1AZ, 1BA, 1BB, 1BC, 1BD, 1BE, 1BF, 1BG, 1BH, 1BI, 1BJ, 1BK, 1BL, 1BM, 1BN, 1BO, 1BP, 1BQ, 1BR, 1BS, 1BT, 1BU, 1BV, 1BW, 1BX, 1BY, 1BZ, 1CA, 1CB, 1CC, 1CD, 1CE, 1CF, 1CG, 1CH, 1CI, 1CJ, 1CK, 1CL, 1CM, 1CN, 1CO, 1CP, 1CQ, 1CR, 1CS, 1CT, 1CU, 1CV, 1CW, 1CX, 1CY, 1CZ, 1DA, 1DB, 1DC, 1DD, 1DE, 1DF, 1DG, 1DH, 1DI, 1DJ, 1DK, 1DL, 1DM, 1DN, 1DO, 1DP, 1DQ, 1DR, 1DS, 1DT, 1DU, 1DV, 1DW, 1DX, 1DY, 1DZ, 1EA, 1EB, 1EC, 1ED, 1EE, 1EF, 1EG, 1EH, 1EI, 1EJ, 1EK, 1EL, 1EM, 1EN, 1EO, 1EP, 1EQ, 1ER, 1ES, 1ET, 1EU, 1EV, 1EW, 1EX, 1EY, 1EZ, 1FA, 1FB, 1FC, 1FD, 1FE, 1FF, 1FG, 1FH, 1FI, 1FJ, 1FK, 1FL, 1FM, 1FN, 1FO, 1FP, 1FQ, 1FR, 1FS, 1FT, 1FU, 1FV, 1FW, 1FX, 1FY, 1FZ, 1GA, 1GB, 1GC, 1GD, 1GE, 1GF, 1GG, 1GH, 1GI, 1GJ, 1GK, 1GL, 1GM, 1GN, 1GO, 1GP, 1GQ, 1GR, 1GS, 1GT, 1GU, 1GV, 1GW, 1GX, 1GY, 1GZ, 1HA, 1HB, 1HC, 1HD, 1HE, 1HF, 1HG, 1HH, 1HI, 1HJ, 1HK, 1HL, 1HM, 1HN, 1HO, 1HP, 1HQ, 1HR, 1HS, 1HT, 1HU, 1HV, 1HW, 1HX, 1HY, 1HZ, 1IA, 1IB, 1IC, 1ID, 1IE, 1IF, 1IG, 1IH, 1II, 1IJ, 1IK, 1IL, 1IM, 1IN, 1IO, 1IP, 1IQ, 1IR, 1IS, 1IT, 1IU, 1IV, 1IW, 1IX, 1IY, 1IZ, 1JA, 1JB, 1JC, 1JD, 1JE, 1JF, 1JG, 1JH, 1JI, 1JJ, 1JK, 1JL, 1JM, 1JN, 1JO, 1JP, 1JQ, 1JR, 1JS, 1JT, 1JU, 1JV, 1JW, 1JX, 1JY, 1JZ, 1KA, 1KB, 1KC, 1KD, 1KE, 1KF, 1KG, 1KH, 1KI, 1KJ, 1KK, 1KL, 1KM, 1KN, 1KO, 1KP, 1KQ, 1KR, 1KS, 1KT, 1KU, 1KV, 1KW, 1KX, 1KY, 1KZ, 1LA, 1LB, 1LC, 1LD, 1LE, 1LF, 1LG, 1LH, 1LI, 1LJ, 1LK, 1LL, 1LM, 1LN, 1LO, 1LP, 1LQ, 1LR, 1LS, 1LT, 1LU, 1LV, 1LW, 1LX, 1LY, 1LZ, 1MA, 1MB, 1MC, 1MD, 1ME, 1MF, 1MG, 1MH, 1MI, 1MJ, 1MK, 1ML, 1MM, 1MN, 1MO, 1MP, 1MQ, 1MR, 1MS, 1MT, 1MU, 1MV, 1MW, 1MX, 1MY, 1MZ, 1NA, 1NB, 1NC, 1ND, 1NE, 1NF, 1NG, 1NH, 1NI, 1NJ, 1NK, 1NL, 1NM, 1NN, 1NO, 1NP, 1NQ, 1NR, 1NS, 1NT, 1NU, 1NV, 1NW, 1NX, 1NY, 1NZ, 1OA, 1OB, 1OC, 1OD, 1OE, 1OF, 1OG, 1OH, 1OI, 1OJ, 1OK, 1OL, 1OM, 1ON, 1OO, 1OP, 1OQ, 1OR, 1OS, 1OT, 1OU, 1OV, 1OW, 1OX, 1OY, 1OZ, 1PA, 1PB, 1PC, 1PD, 1PE, 1PF, 1PG, 1PH, 1PI, 1PJ, 1PK, 1PL, 1PM, 1PN, 1PO, 1PP, 1PQ, 1PR, 1PS, 1PT, 1PU, 1PV, 1PW, 1PX, 1PY, 1PZ, 1QA, 1QB, 1QC, 1QD, 1QE, 1QF, 1QG, 1QH, 1QI, 1QJ, 1QK, 1QL, 1QM, 1QN, 1QO, 1QP, 1QQ, 1QR, 1QS, 1QT, 1QU, 1QV, 1QW, 1QX, 1QY, 1QZ, 1RA, 1RB, 1RC, 1RD, 1RE, 1RF, 1RG, 1RH, 1RI, 1RJ, 1RK, 1RL, 1RM, 1RN, 1RO, 1RP, 1RQ, 1RR, 1RS, 1RT, 1RU, 1RV, 1RW, 1RX, 1RY, 1RZ, 1SA, 1SB, 1SC, 1SD, 1SE, 1SF, 1SG, 1SH, 1SI, 1SJ, 1SK, 1SL, 1SM, 1SN, 1SO, 1SP, 1SQ, 1SR, 1SS, 1ST, 1SU, 1SV, 1SW, 1SX, 1SY, 1SZ, 1TA, 1TB, 1TC, 1TD, 1TE, 1TF, 1TG, 1TH, 1TI, 1TJ, 1TK, 1TL, 1TM, 1TN, 1TO, 1TP, 1TQ, 1TR, 1TS, 1TT, 1TU, 1TV, 1TW, 1TX, 1TY, 1TZ, 1UA, 1UB, 1UC, 1UD, 1UE, 1UF, 1UG, 1UH, 1UI, 1UJ, 1UK, 1UL, 1UM, 1UN, 1UO, 1UP, 1UQ, 1UR, 1US, 1UT, 1UU, 1UV, 1UW, 1UX, 1UY, 1UZ, 1VA, 1VB, 1VC, 1VD, 1VE, 1VF, 1VG, 1VH, 1VI, 1VJ, 1VK, 1VL, 1VM, 1VN, 1VO, 1VP, 1VQ, 1VR, 1VS, 1VT, 1VU, 1VV, 1VW, 1VX, 1VY, 1VZ, 1WA, 1WB, 1WC, 1WD, 1WE, 1WF, 1WG, 1WH, 1WI, 1WJ, 1WK, 1WL, 1WM, 1WN, 1WO, 1WP, 1WQ, 1WR, 1WS, 1WT, 1WU, 1WV, 1WW, 1WX, 1WY, 1WZ, 1XA, 1XB, 1XC, 1XD, 1XE, 1XF, 1XG, 1XH, 1XI, 1XJ, 1XK, 1XL, 1XM, 1XN, 1XO, 1XP, 1XQ, 1XR, 1XS, 1XT, 1XU, 1XV, 1XW, 1XX, 1XY, 1XZ, 1YA, 1YB, 1YC, 1YD, 1YE, 1YF, 1YG, 1YH, 1YI, 1YJ, 1YK, 1YL, 1YM, 1YN, 1YO, 1YP, 1YQ, 1YR, 1YS, 1YT, 1YU, 1YV, 1YW, 1YX, 1YY, 1YZ, 1ZA, 1ZB, 1ZC, 1ZD, 1ZE, 1ZF, 1ZG, 1ZH, 1ZI, 1ZJ, 1ZK, 1ZL, 1ZM, 1ZN, 1ZO, 1ZP, 1ZQ, 1ZR, 1ZS, 1ZT, 1ZU, 1ZV, 1ZW, 1ZX, 1ZY, 1ZZ		



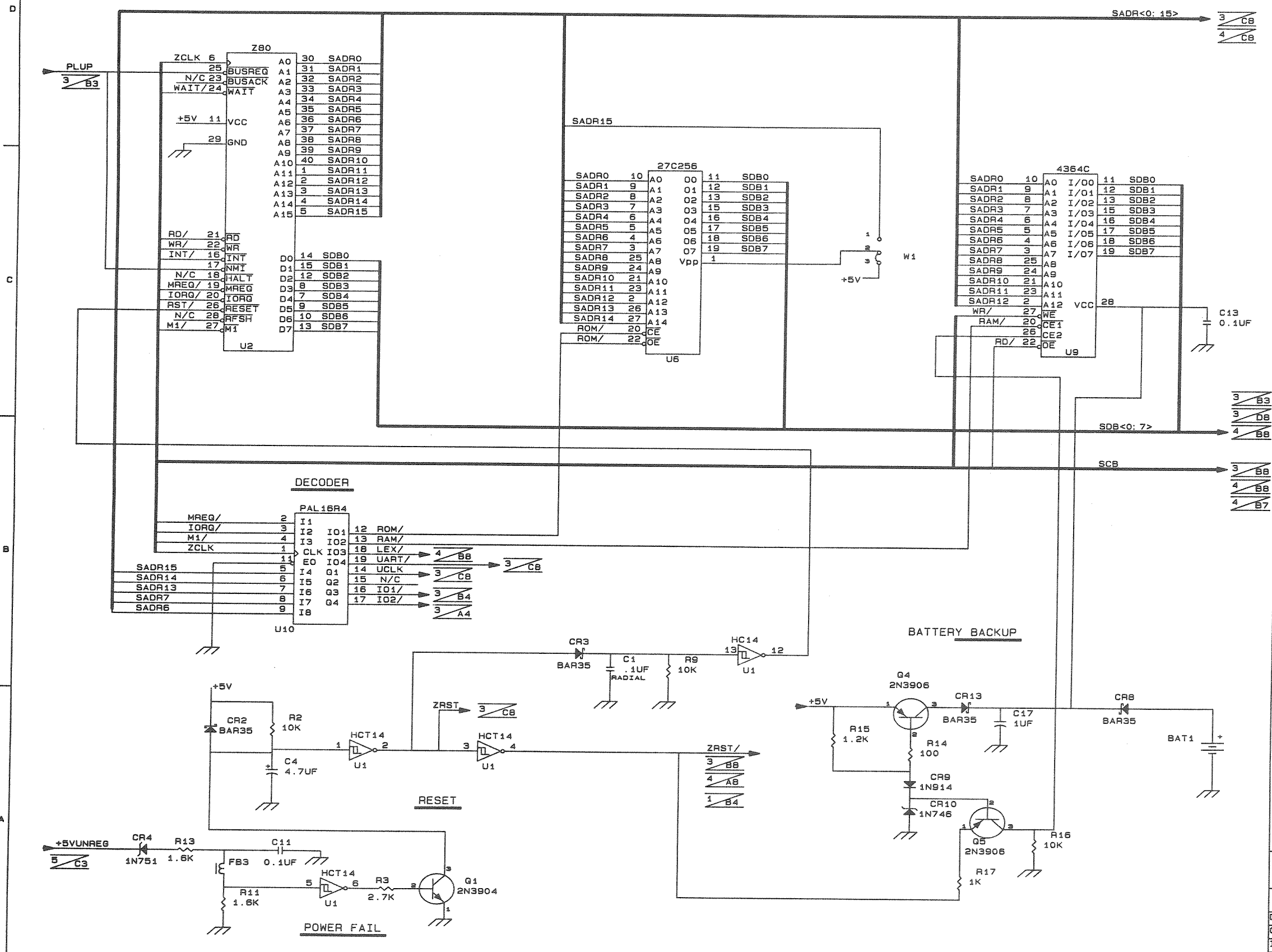
CONTRACT NO.	lexicon		
APPROVALS	DATE	TITLE	SCHEMATIC, LXP - 1 I/O, MIDI, COUNTER
DRAWN TM	10/27/87	SIZE	D
CHECKED DS	10/27/87	CODE	NUMBER
ISSUED DS	10/27/87	NUMBER	060-06016
G.C. BH	10/27/87	REV.	4
			SHEET 3 OF 5

SYSTEM PROCESSOR

ROM

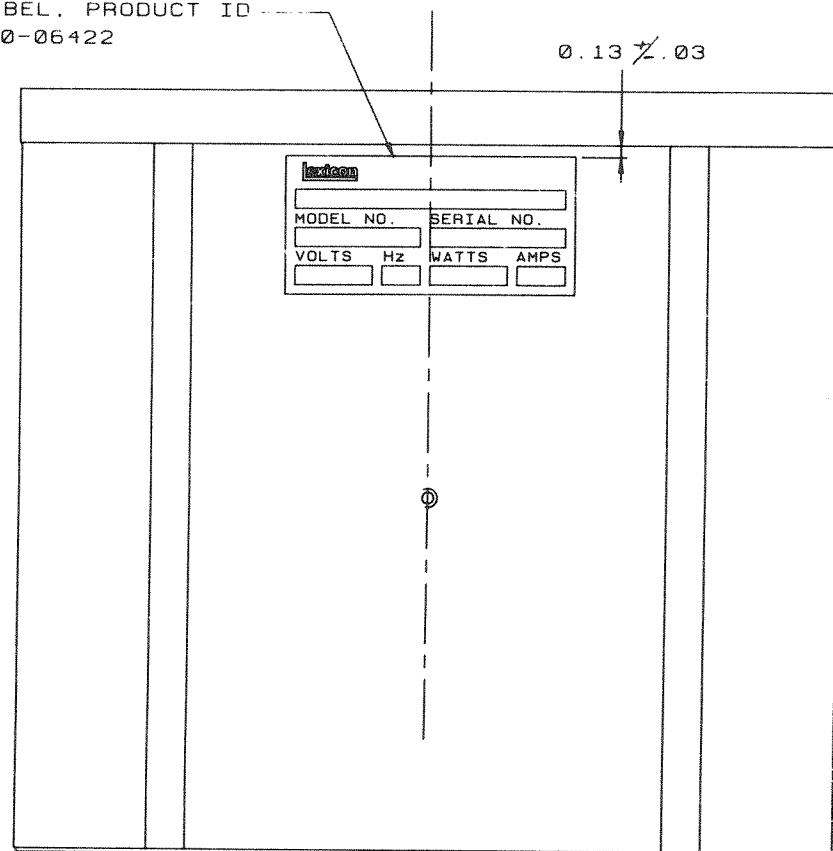
RAM

REVISIONS			
REV	DESCRIPTION	DRAFTER/CHECKER	D.C. / AUTHORIZED
0	RELEASE FOR PROTOTYPE	TM 12/14/87	DB 12/14/87
1	PRODUCTION RELEASE	MH 1/17/88 DWA 2-12-88	BH 12/14/87 DWA 2-11-88
2	CHANGED TITLE	JV 4/14/88	BH 4/26/88



CONTRACT NO.	Exicon 100 BEAVER ST. WALTHAM, MA 02154		
APPROVALS	DATE	TITLE	
DRAWN TM	10/27/87	SCHEMATIC, LXP - 1	
CHECKED DS	10/27/87	SIZE	CODE NUMBER
ISSUED DS	10/27/87	D	060-06016
D.C.	BH 10/27/87	REV.	2
		SHEET 2 OF 5	

LABEL, PRODUCT ID  
740-06422



BOTTOM VIEW

PARTS NOT SHOWN

PART #	DESCRIPTION
700-06543	RACK MOUNTING TRAY
070-06023	OWNER'S MANUAL
730-02813	REGISTRATION CARD
730-04346	WARRANTY CARD
730-06709	FOAM INSERT, TOP
730-06710	FOAM INSERT, BOTTOM
730-06741	SHIPPING BOX
730-06760	CLEAR SHIPPING BAG
470-06048	TRANSFORMER, 120V, 9VAC, 9VA

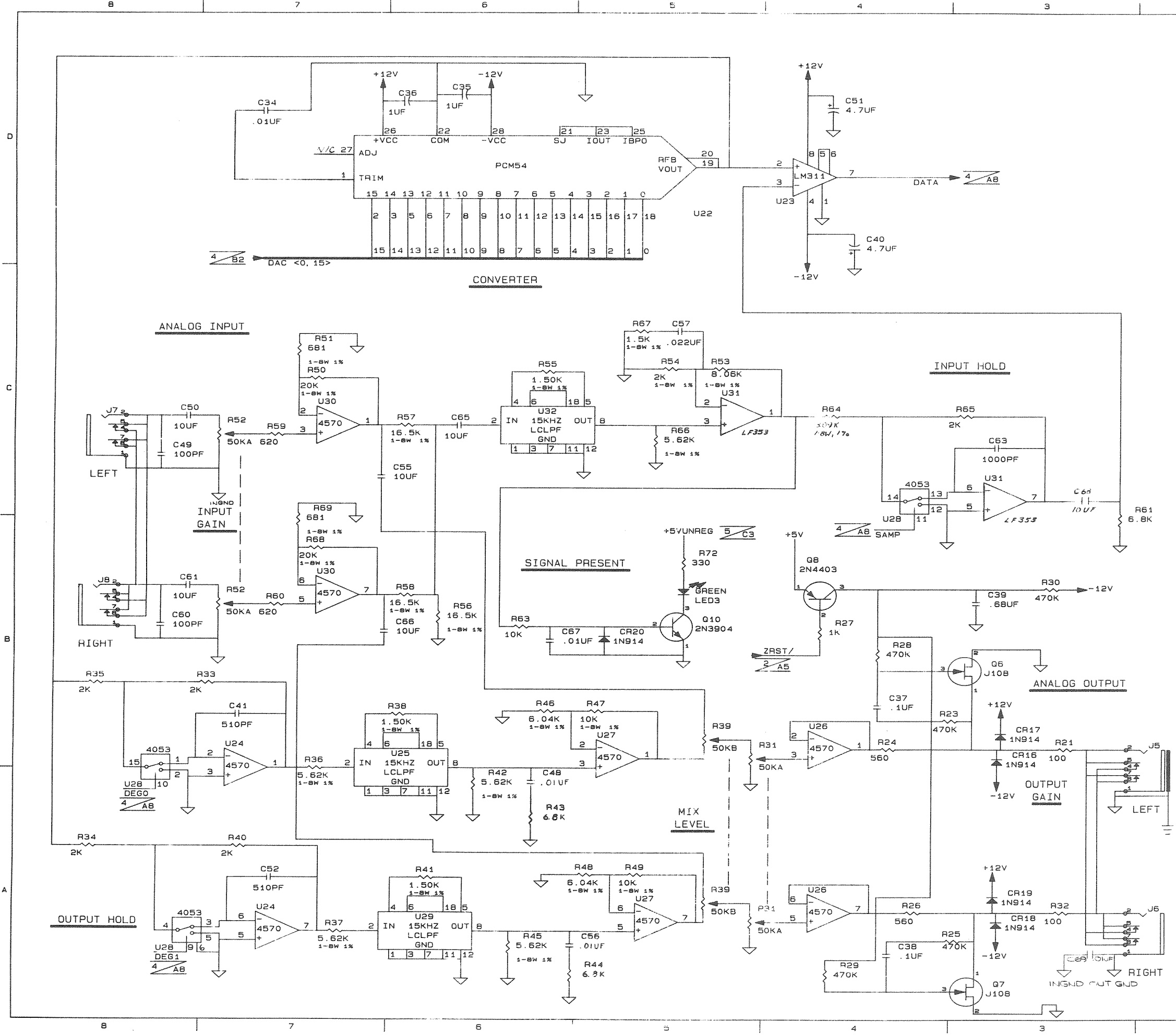
REVISIONS

REV.	DESCRIPTION	DWR/CHKD	D.C./AUTH
2	THIS SMT ADDED ECO# 880510-06		

NOTES

- FRONT POT NUTS TO BE TIGHTENED TO 6-8 IN-LBS.  
FRONT SWITCH NUTS TO BE TIGHTENED TO 4 IN-LBS MAX.  
REAR PHONE JACK NUTS TO BE TIGHTENED TO 4-6 IN-LBS.

UNLESS OTHERWISE SPECIFIED DIMENSIONS ARE IN INCHES TOLERANCES ARE: FRACTIONS DECIMALS ANGLES .XX +/- .010 .XXX +/- .005		FILE NAME 06613	lexicon	
APPROVALS	DATE	TITLE ASSY DWG CHASSIS, LXP-1		
DRAWN	5/1/78	SIZE	FSCM NO.	DWG. NO.
CHECKED		D		080-06613
NEXT ASSY	USED ON	FINISH	ISSUED	REV. 2
APPLICATION	DO NOT SCALE DRAWING	SCALE 1/1	SHEET 2 OF 2	



REVISIONS			
REV	DESCRIPTION	DRAFTER/CHECKER	AUTHORIZED
0	RELEASE FOR PROTOTYPE	TM 12/14/87 DS 12/14/87	DB 12/14/87 BH 12/14/87
1	PRODUCTION RELEASE	JM 2/11/88 DS 2-16-88	BH 2/17/88 BH 2-17-88
2	CHANGE PER ECO NO. 880223-00 SEE SH. NO. 3	JM 3/11/88 DS 3-16-88	BH 3/17/88 BH 3-17-88
3	CHANGE PER ECO NO. 880224-00 CHANGE R62 TO C68, R64 43.7K TO 56K ADD U31	JM 3/11/88 DS 3-16-88	BH 3/17/88 BH 3-17-88
4	CHANGE SHEET 4, 10, 11 INSTALL CP 4724 PER ECO#880224-00, CHANGED DOC. CON. BLOCK, TITLES ON SHEETS 2-5 CHANGED.	JM 4/16/88 DS 4-16-88	BH 4/17/88 BH 4-17-88
5	CHANGED SHEETS 1, 3 PER ECO#880527-00	JM 6/24/88 DS 6-24-88	BH 6/27/88 BH 6-27-88

- NOTES
- UNLESS OTHERWISE INDICATED, RESISTORS ARE 5%, 1/4W.
  - UNLESS OTHERWISE INDICATED, CAPACITORS ARE UF/V.
  - UNLESS OTHERWISE INDICATED, DIODES ARE 1N4148.
  - ANALOG GROUND, DIGITAL GROUND, CHASSIS GROUND, ANALOG PWR GND
  - 1 A2 DENOTES SHEET NUMBER AND INTERSECT COORDINATE.
  - ON BOARD CONNECTION-TO  
ON BOARD CONNECTION-FROM  
SOLDER CONNECTION

DOCUMENT CONTROL BLOCK: #060-06016			
SHEET NUMBER		REVISION NUMBER	
1 OF 5		5	
2 OF 5		2	
3 OF 5		4	
4 OF 5		2	
5 OF 5		2	
CONTRACT NO.	lexicon		
100 BEAVER ST. WALTHAM, MA 02154			
APPROVALS	DATE	TITLE	
DRAWN TM	10/27/87	SCHEMATIC, LXP - 1	
CHECKED DS	10/27/87	ANALOG AND CONVERTER	
ISSUED DS	10/27/87	SIZE	CODE NUMBER
G.C. BH	10/27/87	D	060-06016
			REV. S
SHEET 1 OF 5			

REVISIONS			
REV.	DESCRIPTION	DWR/CHKD	Q. C. /AUTH
0	RELEASE FOR PRODUCTION	LDR 3/4/88 DHS 2/22/88	LDR 3/4/88 DHS 3/4/88
1	NOTES ADDED ECO# 880419-07	LDR 4/29/88 DHS 4/29/88	LDR 4/29/88 DHS 4/29/88
2	BOTTOM VIEW ADDED W/LBL & PARTS LIST ECO#880510-06 & ECO#880425-01		

SUPPLIED WITH  
PN 510-06043

REAR PANEL  
PN 702-06020

FRONT PANEL  
PN 702-06014  
PN 702-06032

SCREWS  
PN 641-06575

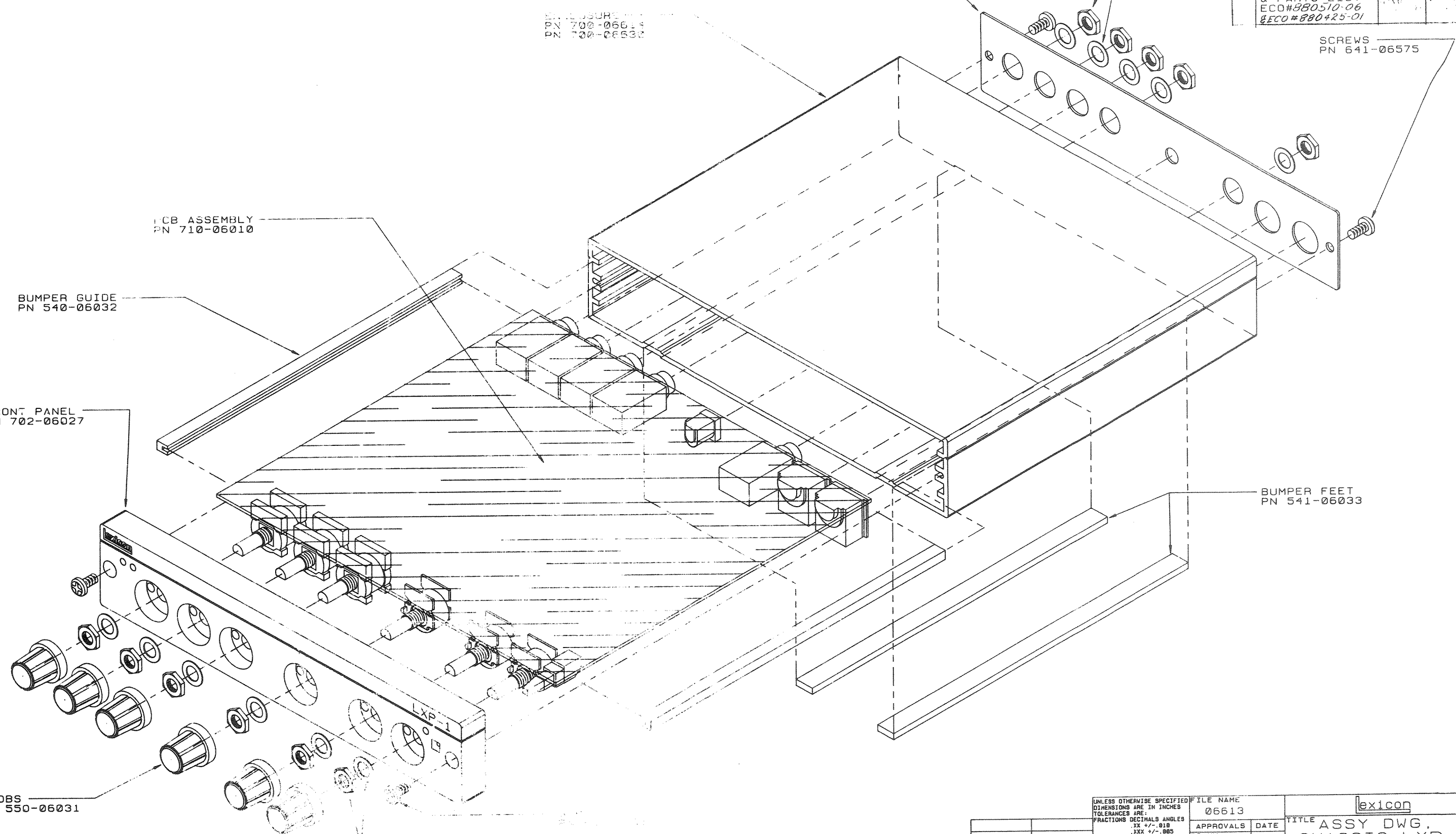
ICB ASSEMBLY  
PN 710-06010

BUMPER GUIDE  
PN 540-06032

FRONT PANEL  
PN 702-06027

BUMPER FEET  
PN 541-06033

KNOBS  
PN 550-06031



SUPPLIED WITH  
PN 510-06043

UNLESS OTHERWISE SPECIFIED DIMENSIONS ARE IN INCHES TOLERANCES ARE: FRACTIONS DECIMALS ANGLES XX +/- .010 XXX +/- .005		FILE NAME 06613	lexicon	
APPROVALS	DATE	TITLE ASSY DWG. CHASSIS, LXP-1		
DRAWN	LDR 1-17-88	SIZE	FSCM NO.	REV.
CHECKED	DHS 3-4-88	D	080-06613	2
Q. C.	LDR 1-4-88	SCALE	1/1	SHEET 1 OF 2
ISSUED	DHS 3-4-88			
NEXT ASSY	USED ON	APPLICATION DO NOT SCALE DRAWING		