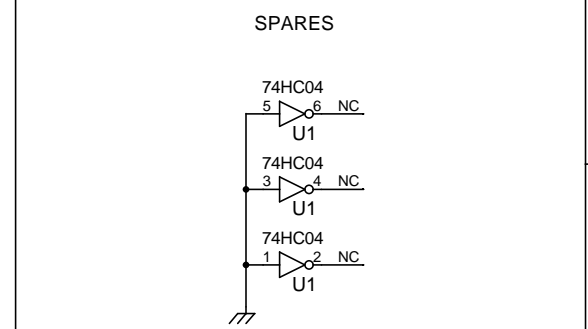


REVISIONS			
REV	DESCRIPTION	DRAFTER	Q.C. AUTH.
1	CHANGED PER DCR 000928-00	RWH 9/28/00 CAM 10/2/00	CW 10/2/00 JLM 10/3/00

- NOTES**
- UNLESS OTHERWISE INDICATED, RESISTORS ARE 1/10W
  - UNLESS OTHERWISE INDICATED, RESISTORS ARE 5%
  - UNLESS OTHERWISE INDICATED, CAPACITORS ARE UF/V
  - DIGITAL GROUND   
 ANALOG GROUND   
 CHASSIS GROUND   
 POWER GROUND
  - [XX/XX] DENOTES [SHEET NUMBER/SECTOR]
  - LAST REFERENCE DESIGNATORS USED: C4, D43, DSP3, J1, Q3, R29, SW6, U4.
  - COMPONENTS MARKED WITH \* ARE NOT ON BOM.

DOCUMENT CONTROL BLOCK: #060-14669

SHEET NUMBER	REVISION NUMBER	TITLE
1 OF 4	1	ROW/COLUMN DRIVERS
2 OF 4	1	LEDS
3 OF 4	1	SEVEN SEGMENT DISPLAYS
4 OF 4	1	BUTTONS



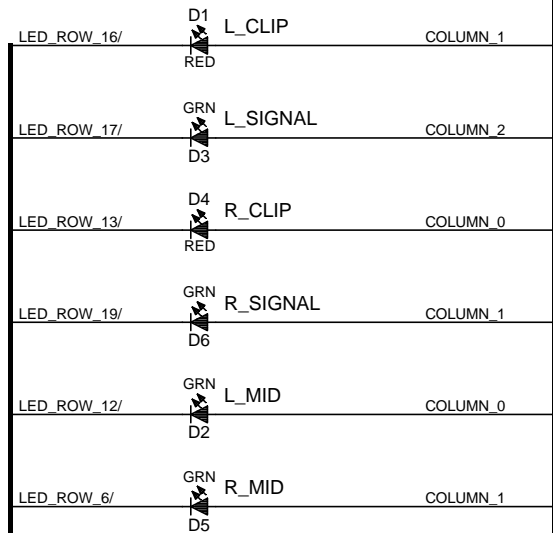
CONTRACT NO.	<b>lexicon</b>	3 OAK PARK BEDFORD, MA 01730
APPROVALS	DATE	TITLE
DRAWN RWH	8/15/00	SCHEM.FP BD.MPX200 ROW/COLUMN DRIVERS
CHECKED CAM	9/28/00	SIZE B CODE NUMBER
Q.C. CW	9/28/00	060-14669
ISSUED JV	9/28/00	FILE NAME 14669-1.1
		SHEET 1 OF 4

10-18-2000\_10:55

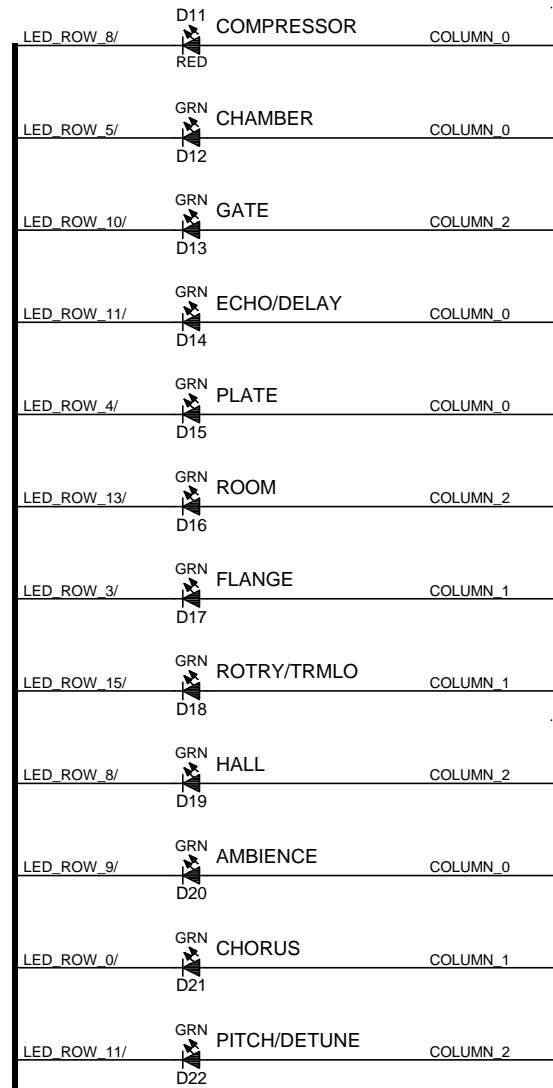
REVISIONS			
REV	DESCRIPTION	DRAFTER	Q.C. AUTH.
1	CHANGED PER DCR 000928-00	RWH 9/28/00 CAM 10/2/00	CW 10/2/00 JLM 10/3/00

[1/A3,3/C8,4/D7] COLUMN\_[2:0]

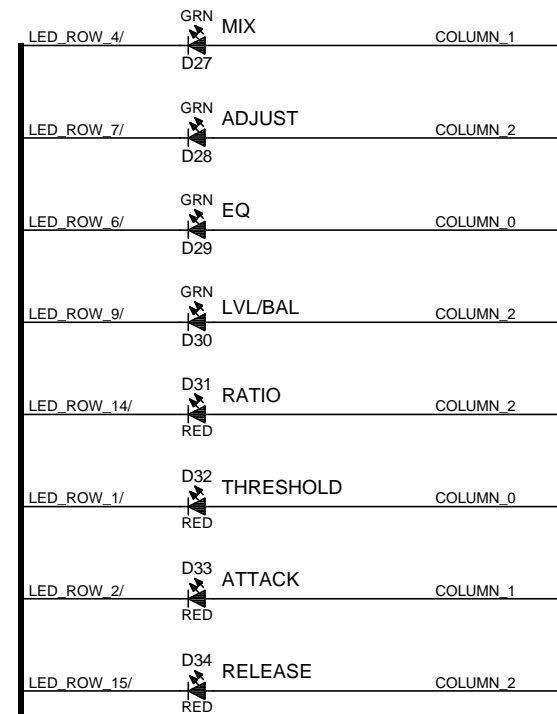
LEVEL METER LEDS



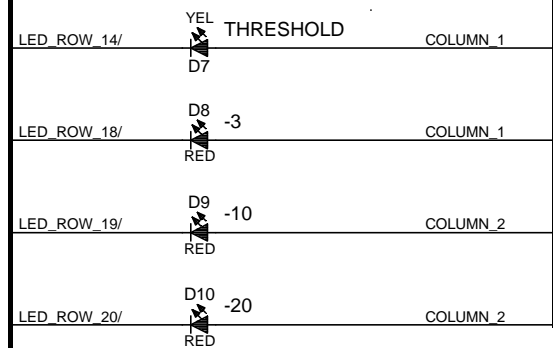
EFFECTS LEDS



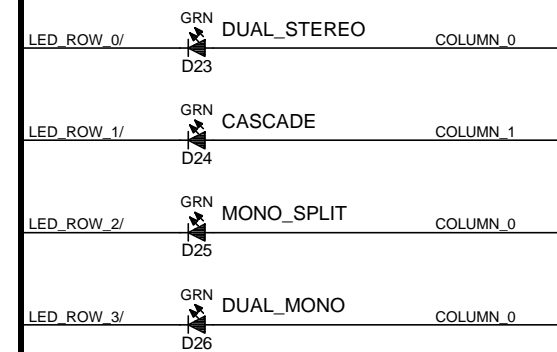
EDIT LEDS



COMPRESSOR METER LEDS



ROUTING LEDS

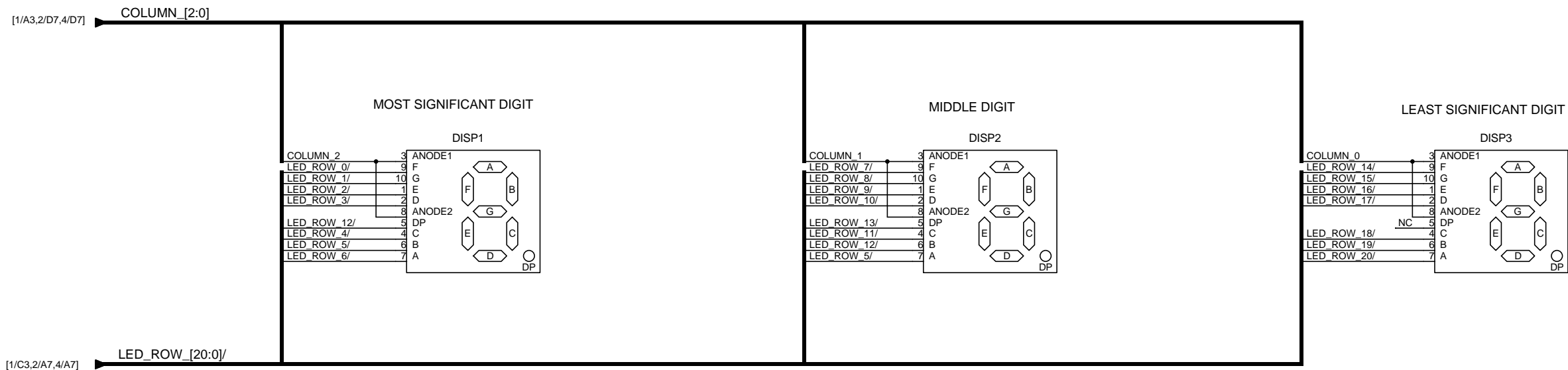


[1/C3,3/B8,4/A7] LED\_ROW\_[20:0]

CONTRACT NO.		<b>lexicon</b>		3 OAK PARK BEDFORD, MA 01730	
APPROVALS	DATE	TITLE			
DRAWN	RWH	8/15/00	SCHEM,FP BD,MPX200 LEDS		
CHECKED	CAM	9/28/00	SIZE B	CODE NUMBER	REV 1
Q.C.	CW	9/28/00	060-14669		
ISSUED	JV	9/28/00	FILE NAME 14669-1.2	SHEET 2 OF 4	

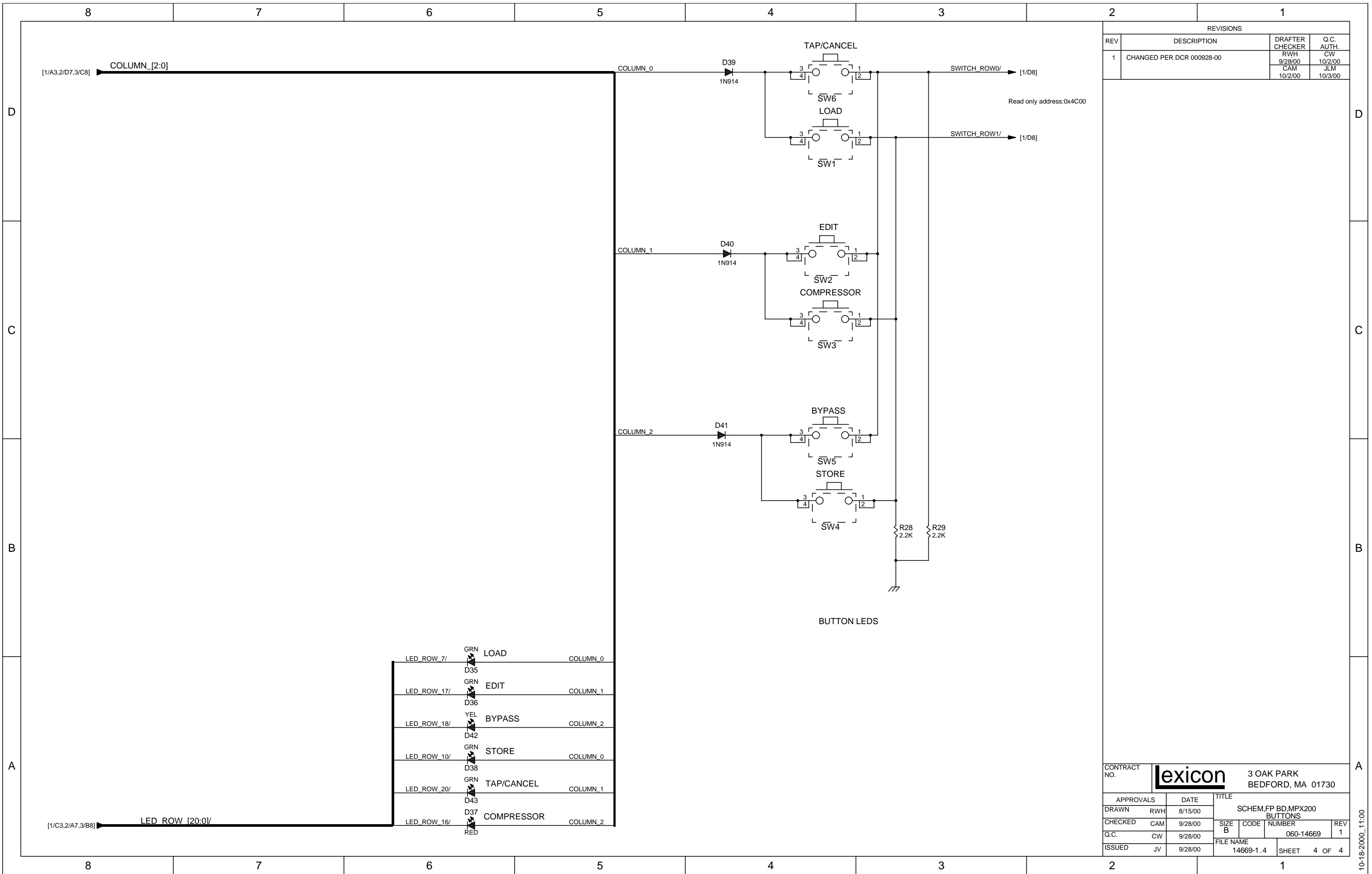
10-11-2000\_10:24

REVISIONS			
REV	DESCRIPTION	DRAFTER CHECKER	Q.C. AUTH.
1	CHANGED PER DCR 000928-00	RWH 9/28/00 CAM 10/2/00	CW 10/2/00 JLM 10/3/00

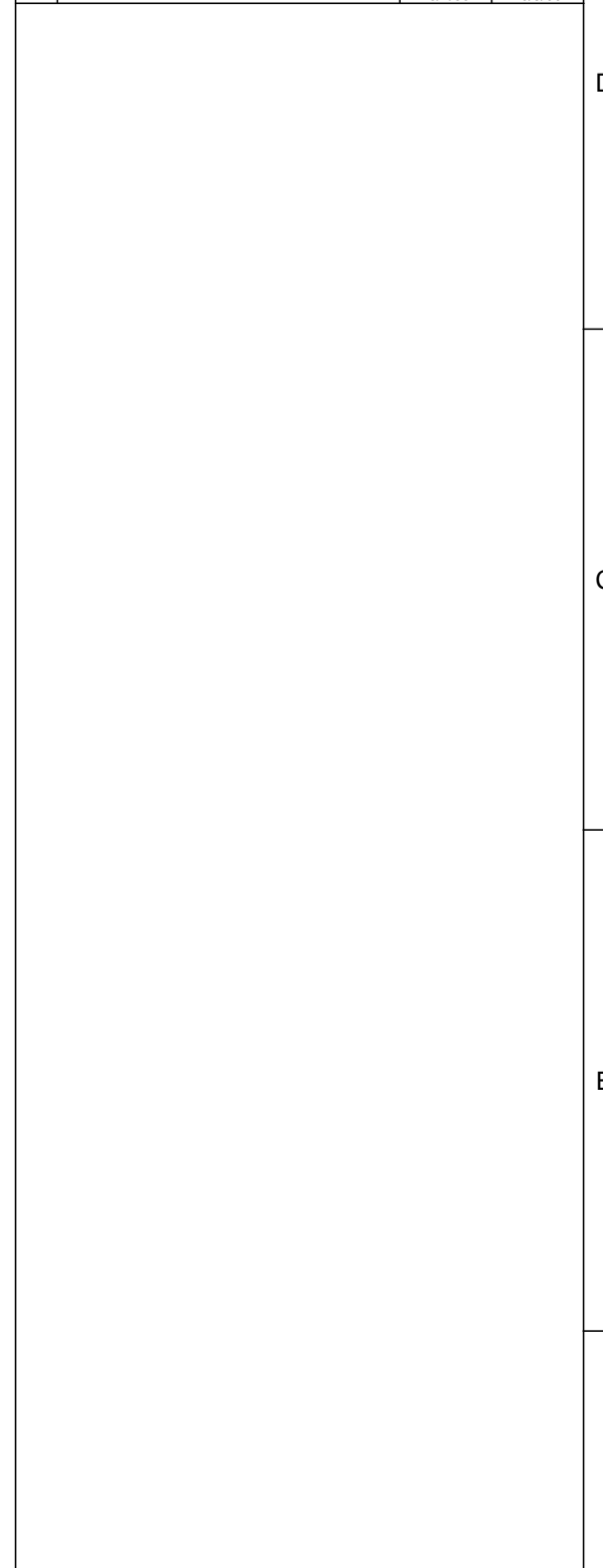


CONTRACT NO.		<b>lexicon</b>		3 OAK PARK BEDFORD, MA 01730	
APPROVALS	DATE	TITLE			
DRAWN	RWH 8/15/00	SCHEM.FP BD.MPX200 SEVEN SEGMENT DISPLAYS			
CHECKED	CAM 9/28/00	SIZE	CODE	NUMBER	REV
Q.C.	CW 9/28/00	B		060-14669	1
ISSUED	JV 9/28/00	FILE NAME		SHEET 3 OF 4	
		14669-1.3			

10-18-2000\_10:57



REVISIONS			
REV	DESCRIPTION	DRAFTER CHECKER	Q.C. AUTH.
1	CHANGED PER DCR 000928-00	RWH 9/28/00 CAM 10/2/00	CW 10/2/00 JLM 10/3/00



CONTRACT NO.		<b>lexicon</b>		3 OAK PARK BEDFORD, MA 01730	
APPROVALS	DATE	TITLE			
DRAWN RWH	8/15/00	SCHEM.FP BD.MPX200 BUTTONS			
CHECKED CAM	9/28/00	SIZE B	CODE	NUMBER	REV
Q.C. CW	9/28/00			060-14669	1
ISSUED JV	9/28/00	FILE NAME		SHEET 4 OF 4	
		14669-1.4			

10-18-2000\_11:00