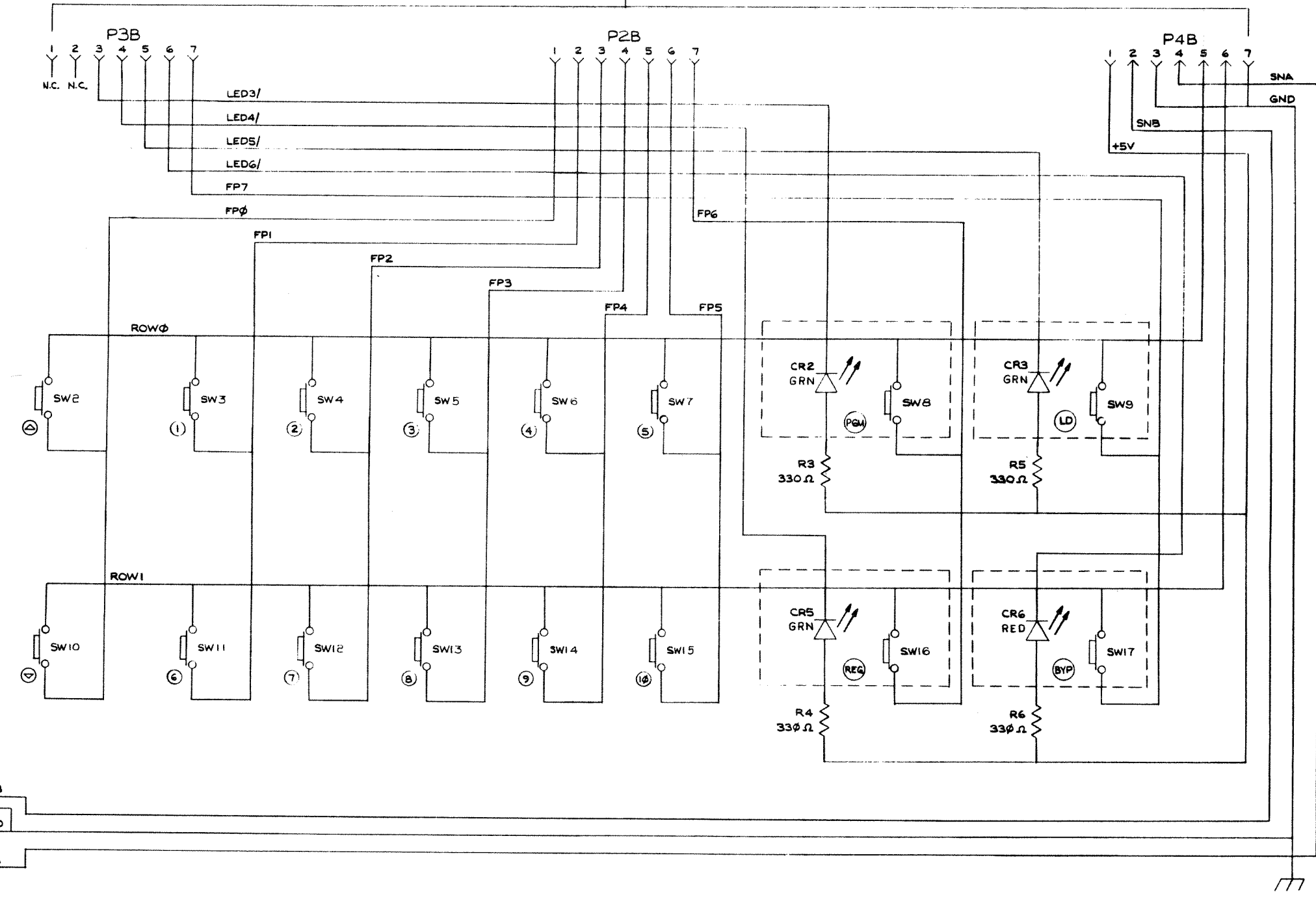


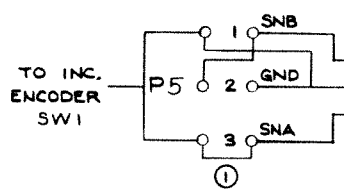
8 7 6 5 4 3 2 1

FROM MOTHER BOARD  
SCHEMATIC #060-04146

REVISIONS			
REV.	DESCRIPTION	DATE	APPROVED
0	RELEASE FOR PROTOTYPE	5 APR 85	<i>[Signature]</i>
1	RELEASE FOR PRODUCTION	2 JUL 85	<i>[Signature]</i>
2	DELETED CR1, CR4, R1, AND R2, TO BE OPTIONAL, ALSO SWITCHED P2B AND P3B DESIGNATIONS, PER ECO #850724-00	7/29/85	<i>[Signature]</i> 1 AUG 85
3	DELETED NOTE 1 AND FIXED SW6 AND SW7 PER ECO #850819-00	8/23/85	<i>[Signature]</i> 8/24/85



NOTES  
① LEFT 3 PADS ARE FOR PANASONIC ENCODER AND RIGHT 3 PADS ARE FOR ALPS ENCODER.



QTY	CODE	PART OR IDENTIFYING NO	NOMENCLATURE OR DESCRIPTION	MATERIAL SPECIFICATION
PARTS LIST				
UNLESS OTHERWISE SPECIFIED DIMENSIONS ARE IN INCHES TOLERANCES ARE: FRACTIONS DECIMALS ANGLES		CONTRACT NO.		
MATERIAL		APPROVALS	DATE	lexicon SCHEMATIC, FRONT PANEL BD., PCM70
NEXT ASSY USED ON		DRAWN	3/2/85	
FINISH		CHECKED	3/22/85	
APPLICATION		ISSUED	7/2/85	REV. 3
DO NOT SCALE DRAWING		SCALE		DWG. NO. 060-04308
				SHEET 1 OF 1

8 7 6 5 4 3 2 1

FOTOBREM, INC. 0155-D



8

7

6

5

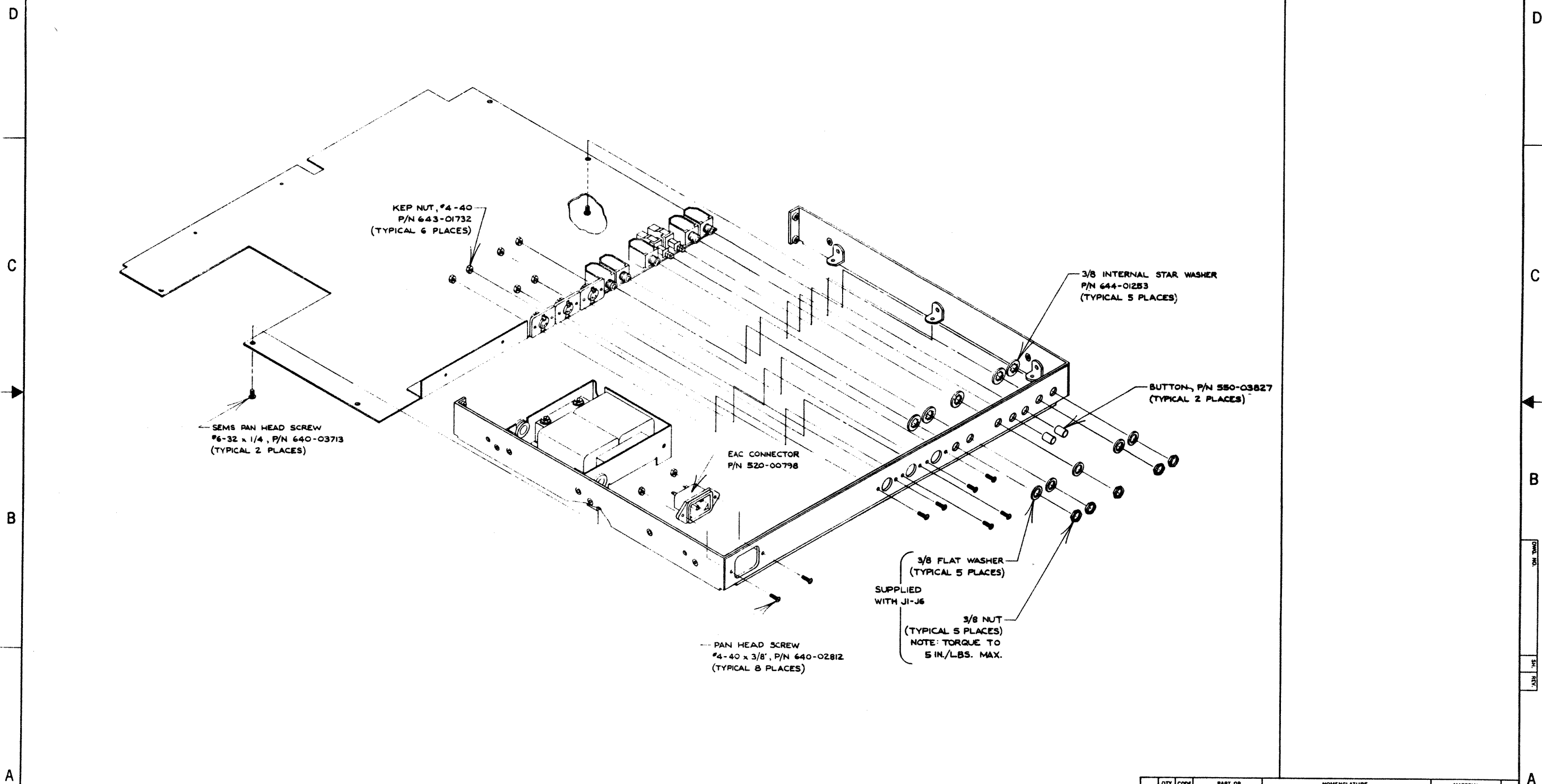
4

3

2

1

REVISIONS			
REV.	DESCRIPTION	DATE	APPROVED
0	RELEASE FOR PRODUCTION	11 Aug 85	<i>[Signature]</i>



QTY	CODE	PART OR IDENTIFYING NO	NOMENCLATURE OR DESCRIPTION	MATERIAL SPECIFICATION
PARTS LIST				
UNLESS OTHERWISE SPECIFIED DIMENSIONS ARE IN INCHES TOLERANCES ARE:		CONTRACT NO.		
FRACTIONS	DECIMALS	ANGLES	APPROVALS	DATE
			<i>[Signature]</i>	6/20/85
MATERIAL		DRAWN <i>[Signature]</i>		
FINISH		CHECKED <i>[Signature]</i>		
NEXT ASSY USED ON		ISSUED <i>[Signature]</i>		
APPLICATION		G. C. <i>[Signature]</i>		
DO NOT SCALE DRAWING		SCALE 1/2		

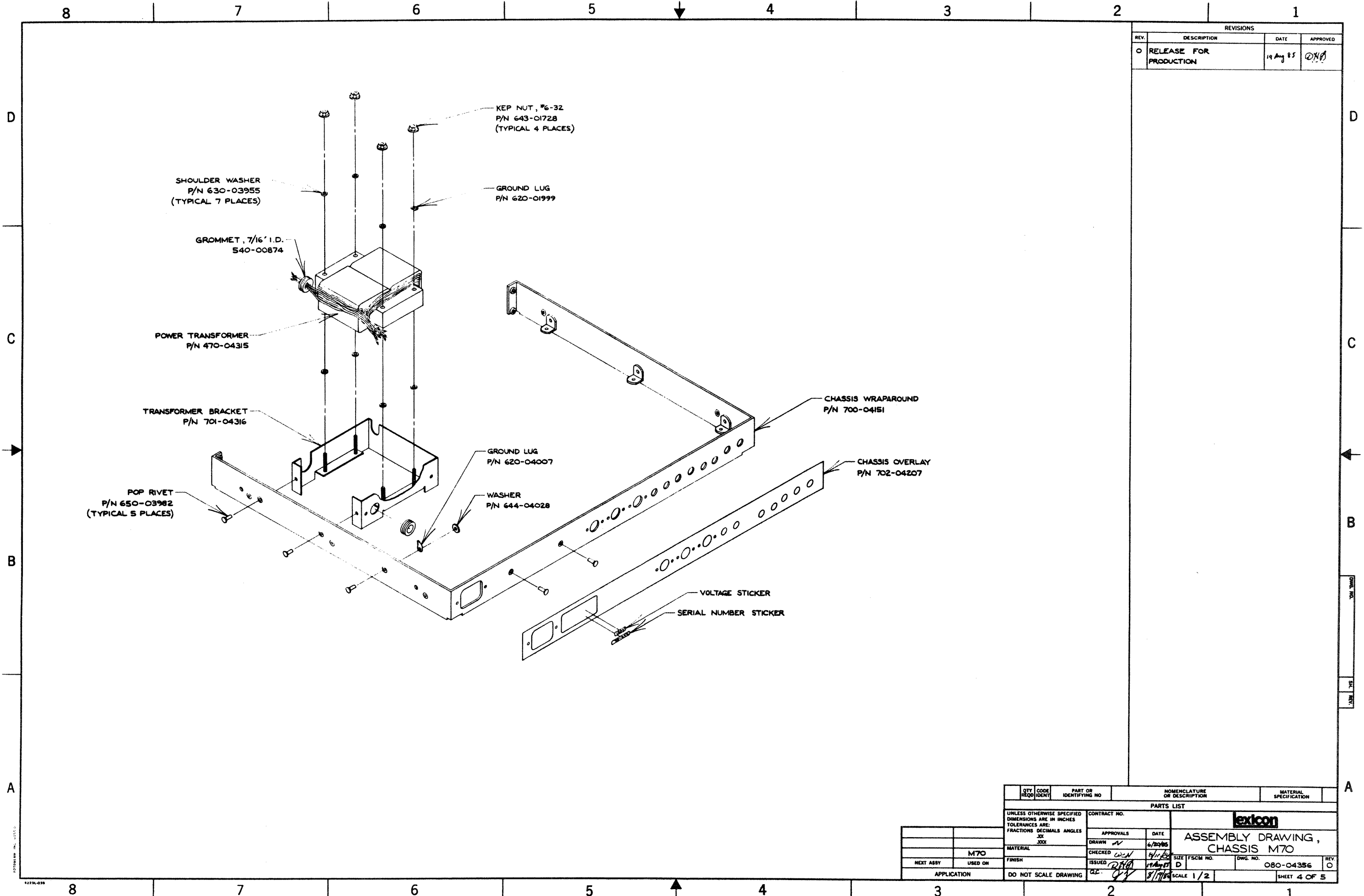
**lexicon**  
 ASSEMBLY DRAWING,  
 CHASSIS M70

SIZE FSCM NO. DWG NO. 080-04356 REV. 0

SHEET 3 OF 5

9224-035





REVISIONS			
REV.	DESCRIPTION	DATE	APPROVED
0	RELEASE FOR PRODUCTION	19 Aug 85	<i>DNB</i>

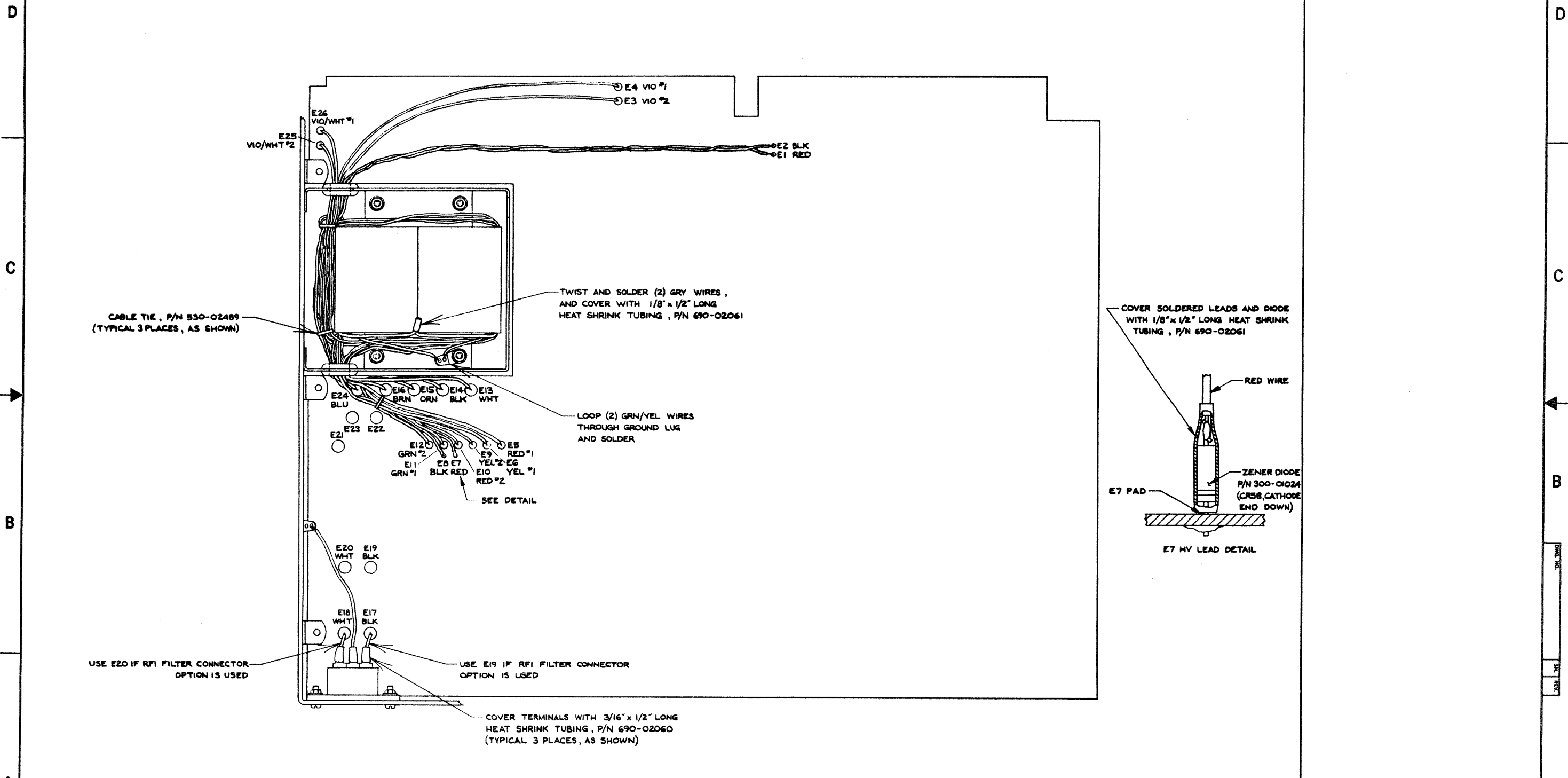
QTY	CODE	PART OR	NOMENCLATURE	MATERIAL
REQD	IDENT	IDENTIFYING NO	OR DESCRIPTION	SPECIFICATION
PARTS LIST				
UNLESS OTHERWISE SPECIFIED DIMENSIONS ARE IN INCHES		CONTRACT NO.		
FRACTIONS DECIMALS ANGLES		<b>lexicon</b>		
XX XXX		APPROVALS	DATE	ASSEMBLY DRAWING, CHASSIS M70
		<i>WJ</i>	6/20/85	
MATERIAL		CHECKED	DATE	SIZE FSCM NO. DWG. NO.
M70		<i>WJ</i>	6/11/85	D O80-04356 O
NEXT ASSY USED ON		ISSUED	DATE	SCALE 1/2 SHEET 4 OF 5
		<i>WJ</i>	8/17/85	
APPLICATION		DO NOT SCALE DRAWING		

FORMER INC. 1272L-028



8 7 6 5 4 3 2 1

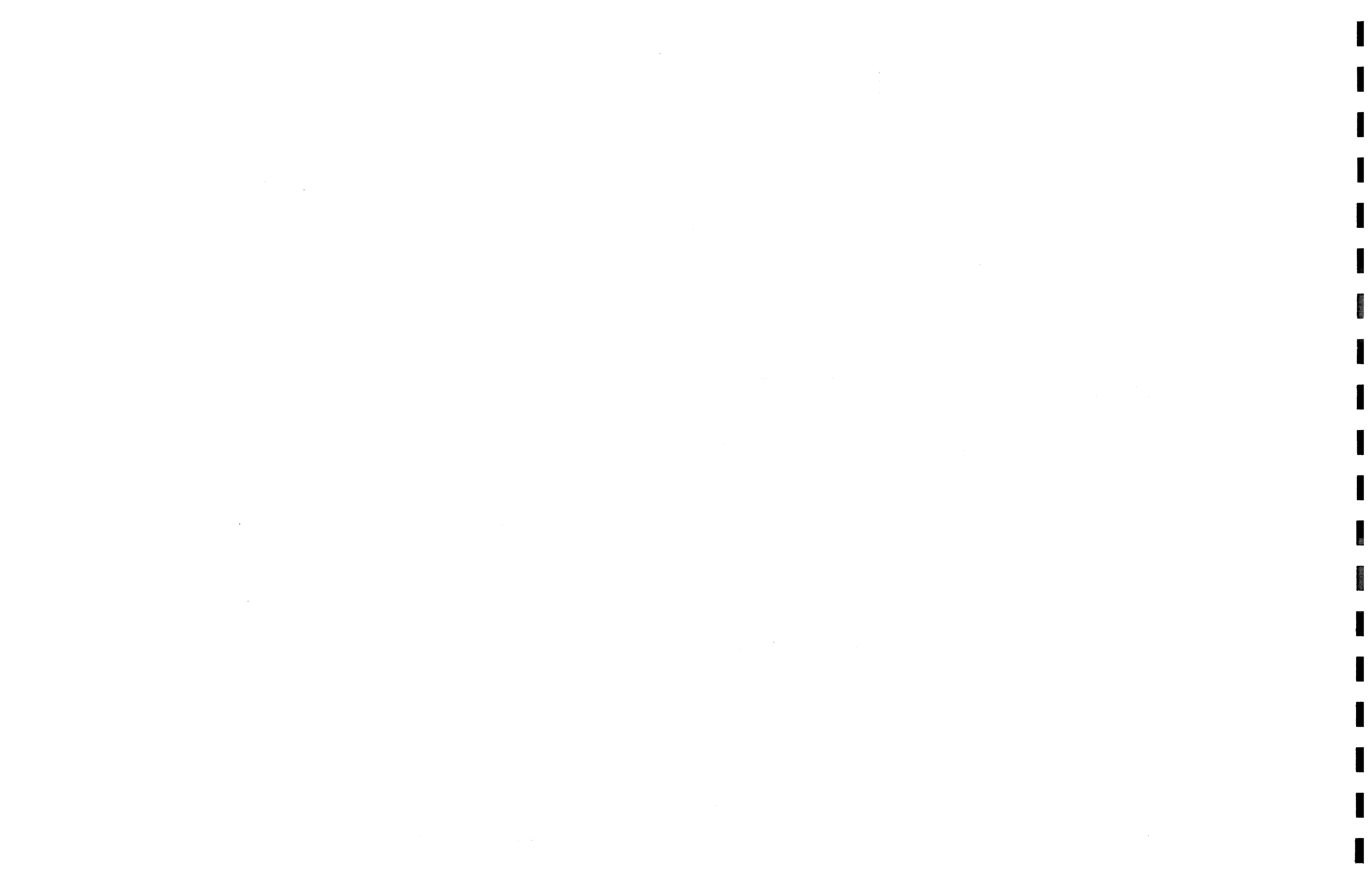
REVISIONS			
REV.	DESCRIPTION	DATE	APPROVED
0	RELEASE FOR PRODUCTION	15 Aug 55	<i>[Signature]</i>
1	ADDED E7 CRSS LEAD DETAIL PER ECO # 85107-00	DWN 11/12/55 CHK 11/12/55 G.C.	<i>[Signature]</i>



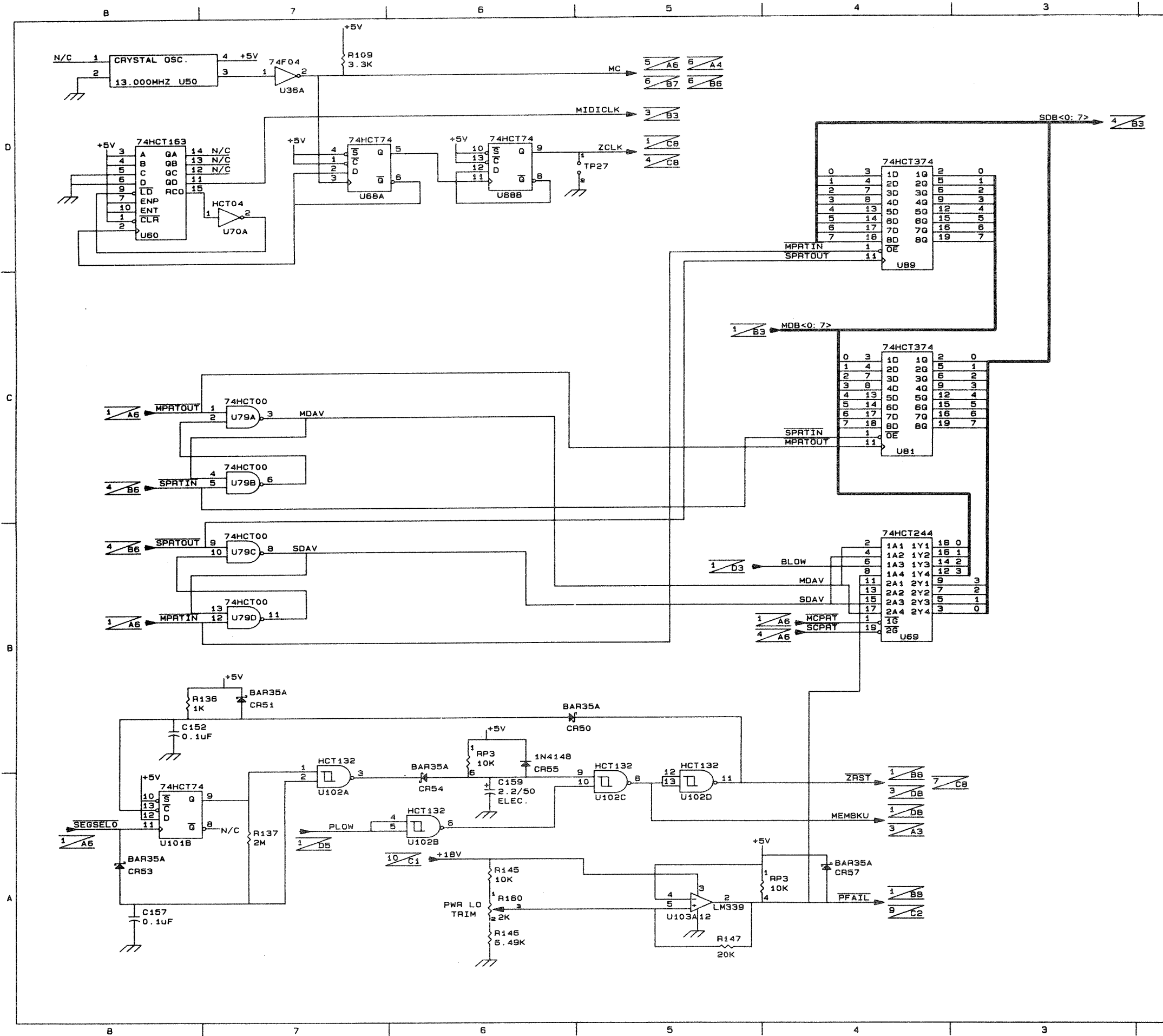
QTY	CODE	PART OR IDENTIFYING NO	NOMENCLATURE OR DESCRIPTION	MATERIAL SPECIFICATION
PARTS LIST				
UNLESS OTHERWISE SPECIFIED DIMENSIONS ARE IN INCHES. TOLERANCES ARE: FRACTIONS DECIMALS ANGLES .XX .XXX		CONTRACT NO.		
M70		APPROVALS DATE		
NEXT ASSY USED ON		DRAWN <i>[Signature]</i> 4/20/55		
APPLICATION DO NOT SCALE DRAWING		CHECKED <i>[Signature]</i> 8/1/55		
		ISSUED <i>[Signature]</i> 11/12/55		
		G.C. <i>[Signature]</i> 11/12/55		
		SCALE 1/1		
ASSEMBLY DRAWING, CHASSIS M70				REV. 1
DOWLING NO. 080-04356				SHEET 5 OF 5

FORDHAM, INC. 11244

8 7 6 5 4 3 2 1



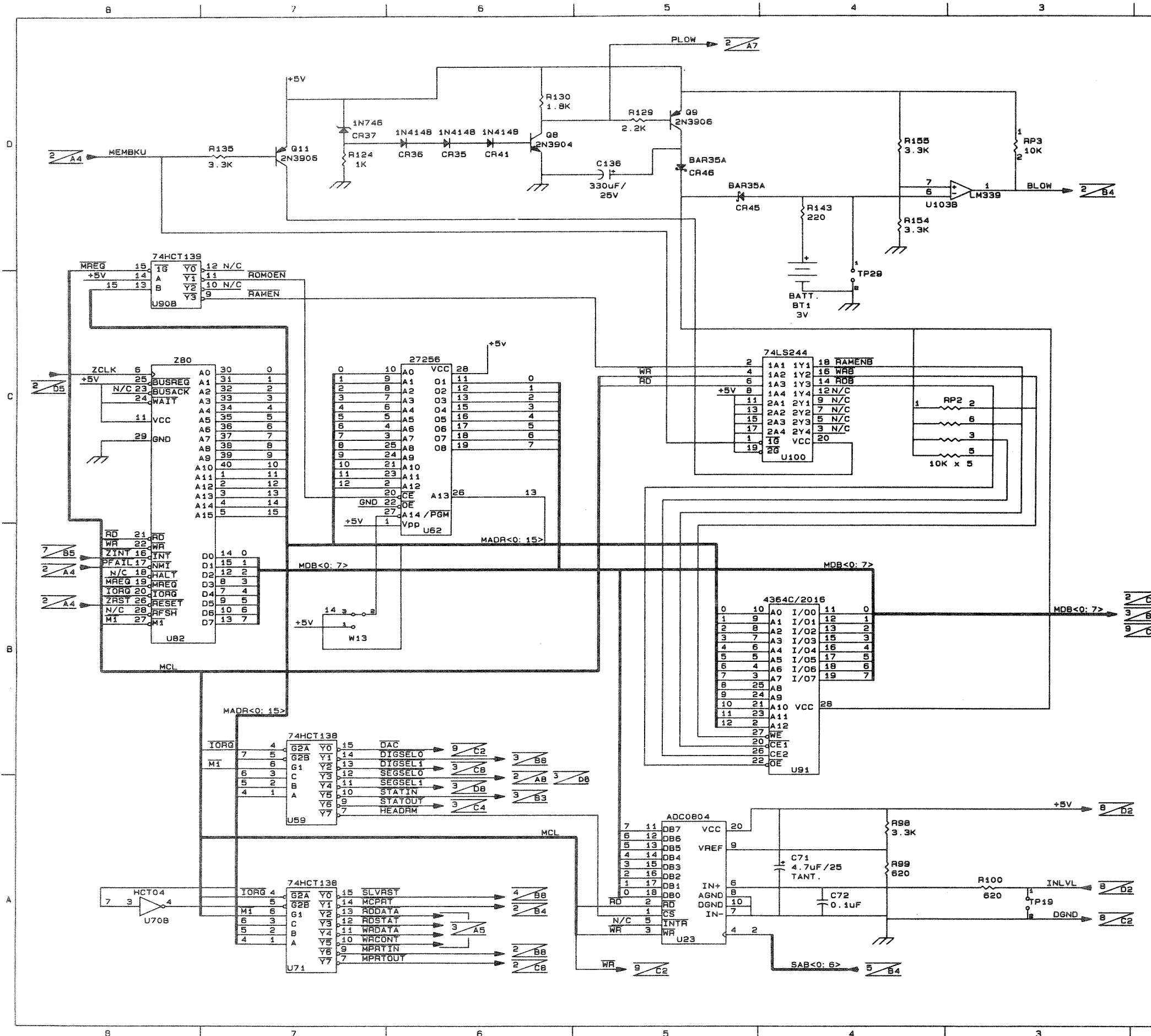




REVISIONS			
REV	DESCRIPTION	DATE	APPROVED
0	RELEASE FOR PROTOTYPE	3/19/85	DHS
1	RELEASE FOR PRODUCTION	5/24/85 JHZ 8/24/85	8/25/85 DHS
2	CHANGED VALUES OF C157 AND C159 PER ECO 850819-00	DWN AV GC JZ 8/23/85 8/27/85 CHK DHS PF DHS 8/23/85 8/23/85	
3	CHANGED VALUES OF R146 AND R147, ADDED DIODE CR57, PFAIL SIGNAL TO U69 PINS 8, 11, 13 AND R160 TO REV. 2 AND UP PCB'S ONLY PER ECO 850825-00	DWN 10/10/85 CHK PAF 22 OCT 85	JZ 10/10/85 DHS 25 08/85

CONTRACT NO.		LEXICON INC.	
		60 TURNER ST., WALTHAM MA. 02157	
APPROVALS	DATE	TITLE	
DRAWN PF	3/85	SCHEMATIC, MOTHERBOARD, MASTER PROCESSOR I/O, M70	
CHECKED JZ	7/85	SIZE	CODE NUMBER
ISSUED DHS	7/85	D	060-04146
			REV 3
SHEET 2 OF 10			





REVISIONS			
REV	DESCRIPTION	DATE	APPROVED
0	RELEASE FOR PROTOTYPE	3/19/85	DHS
1	RELEASE FOR PRODUCTION	5/24/85	
2	CHANGED U62 FROM 2764 TO 27256 AND CONNECTED PINS 2 AND 3 OF W13. ALSO UPDATED DOCUMENT CONTROL BLOCK PER ECO NUMBER 850216-00	7/18/85 8/23/85	CA 8/27/85 DHS 8/28/85
3	ADDED BATTERY VOLTAGE AND ANALOG POWER GROUND TO NOTES. CHANGED VALUES OF R154 AND C71. UPDATED DOCUMENT CONTROL BLOCK PER ECO 850819-00	DWN AV 8/23/85	GC JZ 8/27/85
4	UPDATED DOCUMENT CONTROL BLOCK. SHEETS 1-3, 5-9 PER ECO 850925-00	DWN 10/6/85	GC 10/6/85
5	UPDATED DOCUMENT CONTROL BLOCK PER ECO 851107-00	DWN 11/11/85	GC 11/11/85
6	UPDATED DOCUMENT CONTROL BLOCK, SHEET 9, PER ECO 851219-00	DWN 12/12/85	GC 12/12/85

- NOTES**
- UNLESS OTHERWISE INDICATED, RESISTORS ARE 5%, 1/4W.
  - UNLESS OTHERWISE INDICATED, CAPACITORS ARE UF/V.
  - UNLESS OTHERWISE INDICATED, DIODES ARE IN4148.
  - ANALOG GROUND DIGITAL GROUND CHASSIS GROUND ANALOG PWR GND
  - 1 DENOTES SHEET NUMBER AND A2 INTERSECT COORDINATE.
  - ON BOARD CONNECTION-TO  
ON BOARD CONNECTION-FROM  
SOLDER CONNECTION

DOCUMENT CONTROL BLOCK: #060-04146

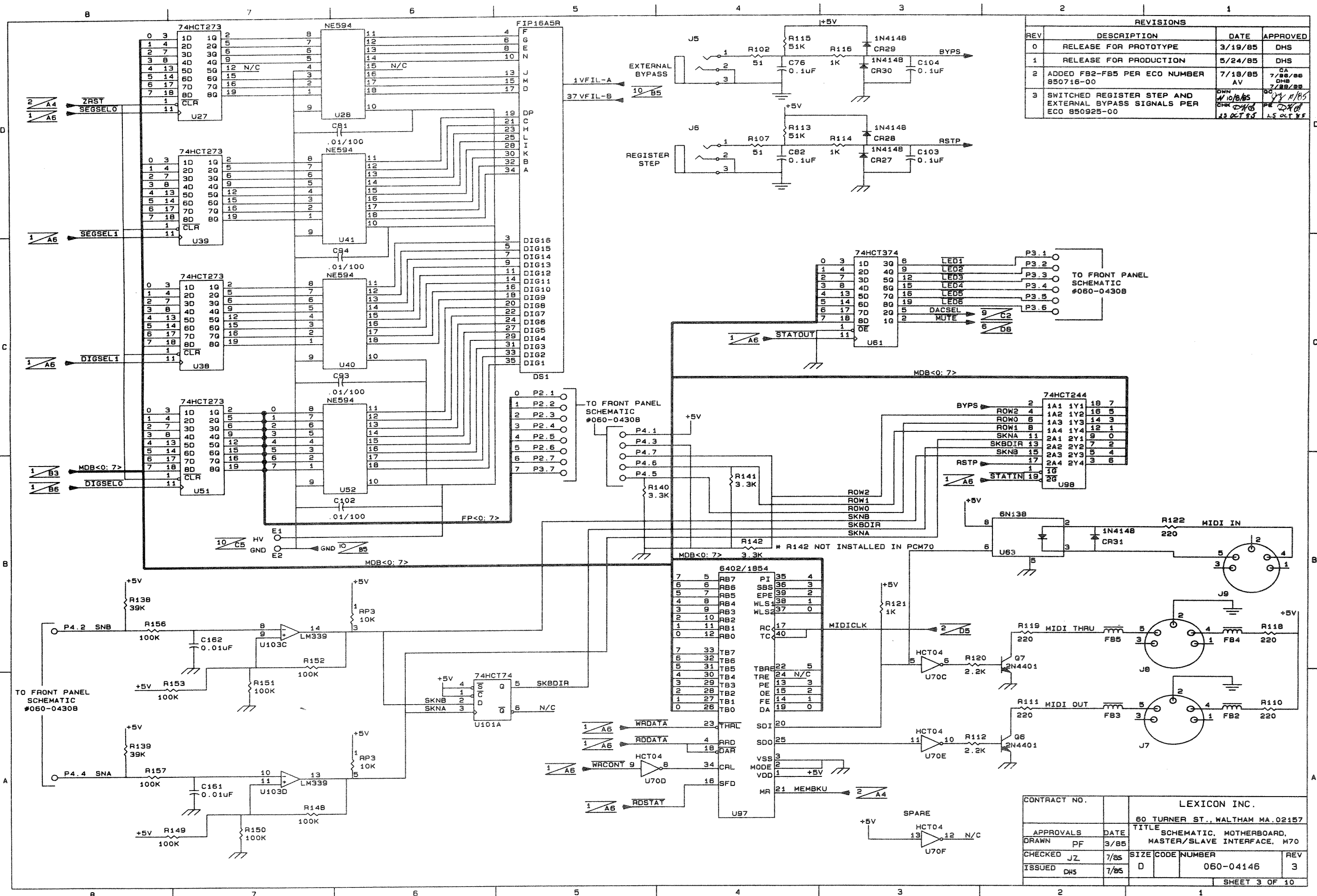
SHEET NUMBER	REVISION NUMBER
1 OF 10	6
2 OF 10	3
3 OF 10	3
4 OF 10	3
5 OF 10	3
6 OF 10	3
7 OF 10	2
8 OF 10	3
9 OF 10	4
10 OF 10	3

CONTRACT NO. LEXICON INC.  
60 TURNER ST., WALTHAM MA 02157

APPROVALS	DATE	TITLE
DRAWN PF	3/85	SCHEMATIC, MOTHERBOARD, MASTER PROCESSOR, M70
CHECKED JZ	1/85	SIZE CODE NUMBER
ISSUED DHS	7/85	D 060-04146 6

SHEET 1 OF 10



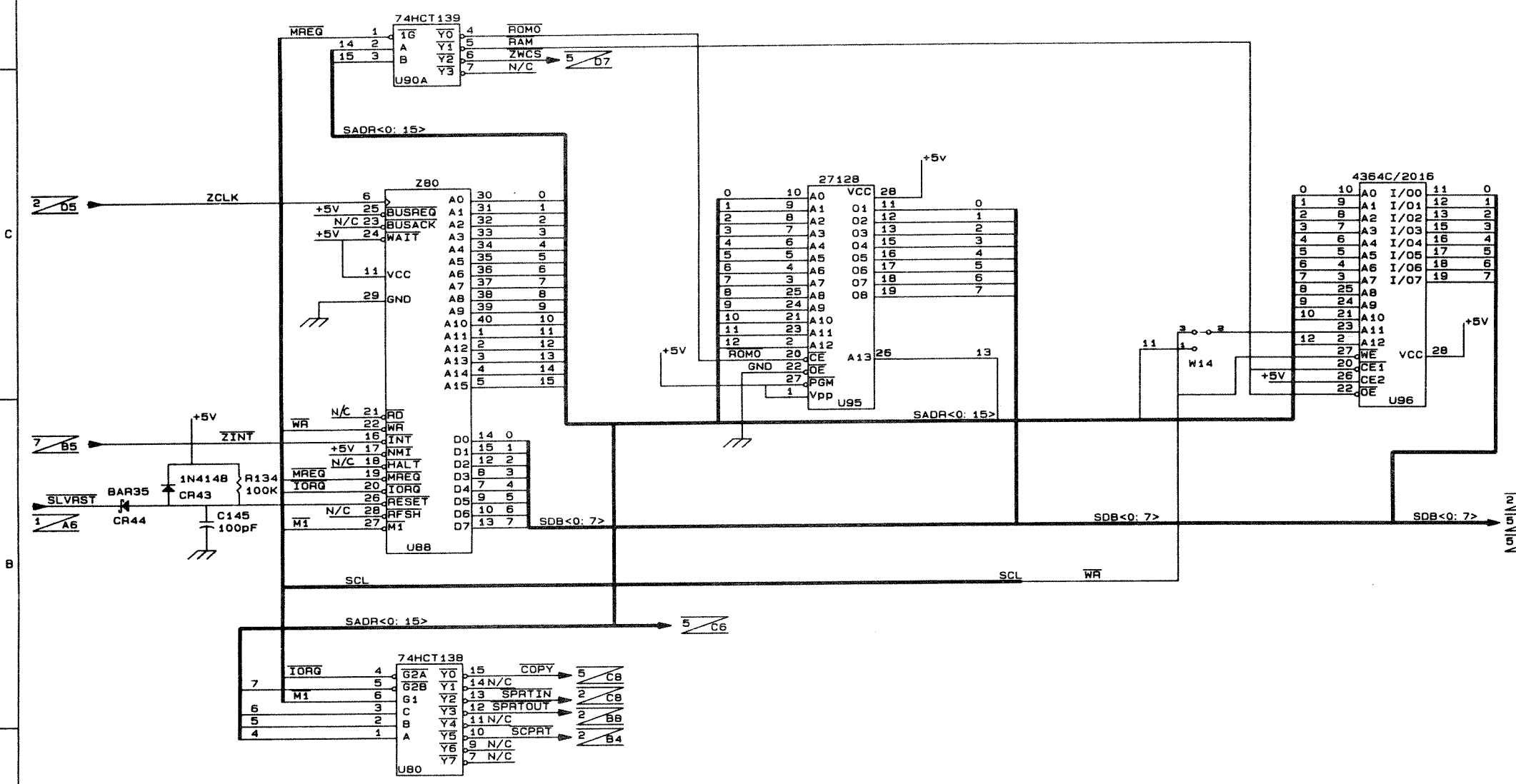


REVISIONS			
REV	DESCRIPTION	DATE	APPROVED
0	RELEASE FOR PROTOTYPE	3/19/85	DHS
1	RELEASE FOR PRODUCTION	5/24/85	DHS
2	ADDED FB2-FB5 PER ECO NUMBER B50716-00	7/18/85	AV
3	SWITCHED REGISTER STEP AND EXTERNAL BYPASS SIGNALS PER ECO B50925-00	10/10/85	AV

CONTRACT NO.		LEXICON INC.	
		60 TURNER ST., WALTHAM MA. 02157	
APPROVALS	DATE	TITLE	
DRAWN PF	3/85	SCHEMATIC, MOTHERBOARD, MASTER/SLAVE INTERFACE, M70	
CHECKED JZ	7/85	SIZE	CODE NUMBER
ISSUED DHS	7/85	D	060-04146
			REV 3
SHEET 3 OF 10			



REVISIONS			
REV	DESCRIPTION	DATE	APPROVED
0	RELEASE FOR PROTOTYPE	3/19/85	DHS
1	RELEASE FOR PRODUCTION	5/28/85	DHS
2	CHANGED U95 FROM 2764 TO 27128 PER ECO NUMBER 850716-00	7/18/85	CA 7/28/85 DHS AV 7/28/85
3	ADDED PIN 28 TO U96 AND CONNECTED PINS 2 AND 3 OF W14 PER ECO 850819-00	8/23/85	OWN AV GC 8/23/85 DHS 8/23/85 CHK DHS PE 8/23/85 DHS 8/23/85



CONTRACT NO.		LEXICON INC.	
		80 TURNER ST., WALTHAM MA. 02157	
APPROVALS	DATE	TITLE	
DRAWN PF	3/85	SCHEMATIC, MOTHERBOARD, SLAVE PROCESSOR, M70	
CHECKED	7/85	SIZE	CODE NUMBER
ISSUED		D	060-04146
			REV 3
SHEET 4 OF 10			



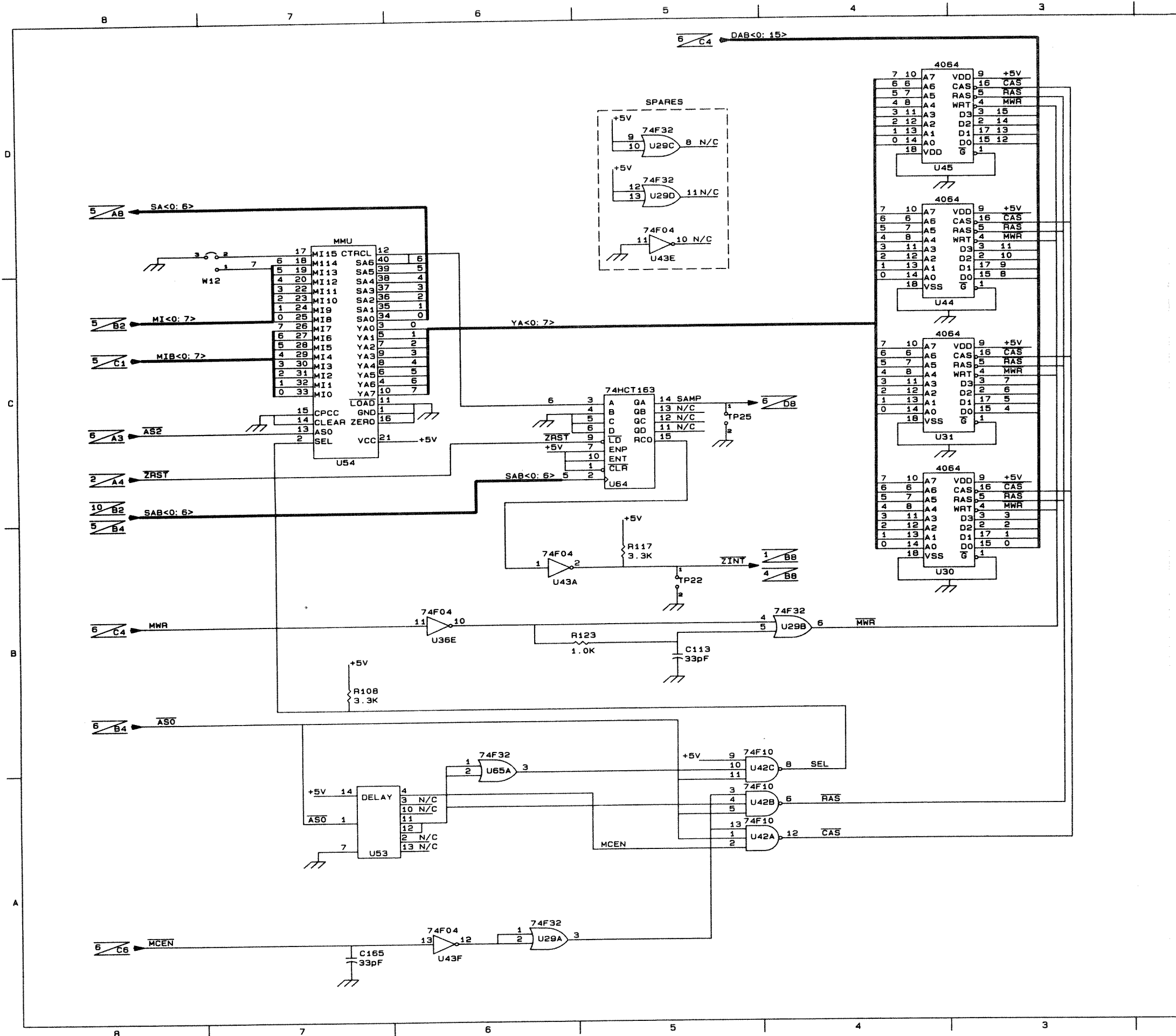












REVISIONS			
REV	DESCRIPTION	DATE	APPROVED
0	RELEASE FOR PROTOTYPE	3/19/85	DHS
1	RELEASE FOR PRODUCTION	5/28/85 JWZ 8/24/85	DHS 6/25/85
2	REDRAWN WITH CHANGES. DELETED U32, U33, U46, U47, W10 AND W11. CHANGED U30, U31, U44 AND U45 TO 4064. ADDED C165 AND SPARES PER ECO NUMBER 850925-00	10/8/85 DHS 23 OCT 85	9/14/85 DHS 25 OCT 85

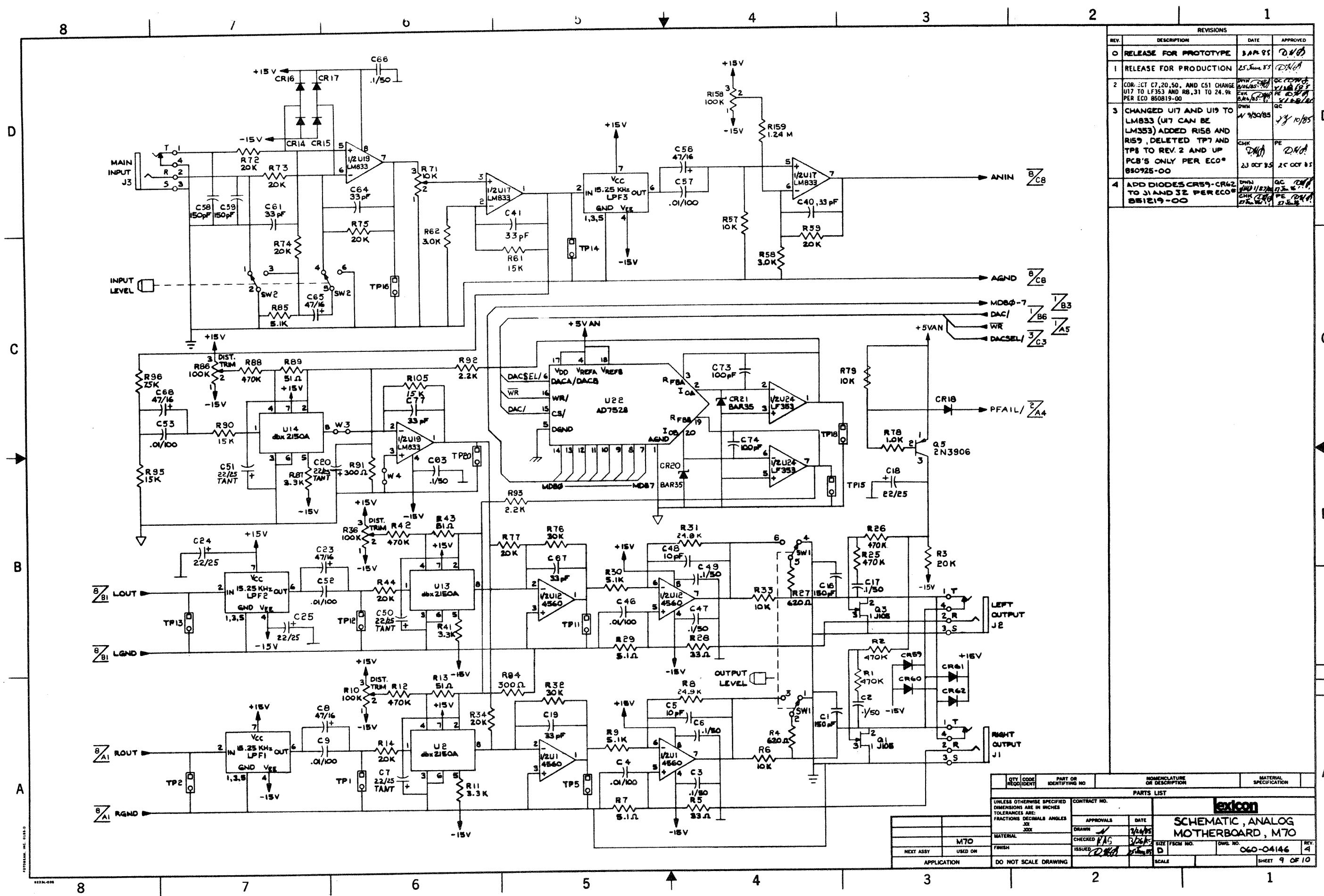
CONTRACT NO.		LEXICON INC.	
		60 TURNER ST., WALTHAM MA. 02157	
APPROVALS	DATE	TITLE SCHEMATIC, MOTHERBOARD, HIGH SPEED PROCESSOR-MMU, M70	
DRAWN PF	3/85		
CHECKED JWZ	7/85	SIZE	CODE NUMBER
ISSUED DHS	7/85	D	060-04146
			REV 2
SHEET 7 OF 10			











REVISIONS			
REV.	DESCRIPTION	DATE	APPROVED
0	RELEASE FOR PROTOTYPE	3 APR 85	D.H.O.
1	RELEASE FOR PRODUCTION	25 JUN 85	D.H.O.
2	CORRECT C7, 20, 50, AND C51 CHANGE U17 TO LF353 AND R8, 31 TO 24.9K PER ECO 850819-00	23 OCT 85	D.H.O.
3	CHANGED U17 AND U19 TO LM833 (U17 CAN BE LM353) ADDED R158 AND R159, DELETED TP7 AND TP8 TO REV. 2 AND UP PCB'S ONLY PER ECO 850925-00	23 OCT 85	D.H.O.
4	ADD DIODES CR59-CR62 TO J1 AND J2 PER ECO 851219-00	25 OCT 85	D.H.O.

QTY	CODE	PART OR IDENTIFYING NO.	NOMENCLATURE OR DESCRIPTION	MATERIAL SPECIFICATION
PARTS LIST				
UNLESS OTHERWISE SPECIFIED DIMENSIONS ARE IN INCHES TOLERANCES ARE: FRACTIONS DECIMALS ANGLES .XX .XXX .XXX				
CONTRACT NO.		APPROVALS		
M70		DATE 3/24/85		
FINISH		DRAWN RAG		
NEXT ASSY USED ON		CHECKED RAG		
APPLICATION		ISSUED D.H.O. 2/25/85		
DO NOT SCALE DRAWING		SCALE		

**lexicon**  
SCHEMATIC, ANALOG MOTHERBOARD, M70

060-04146 4  
SHEET 9 OF 10

