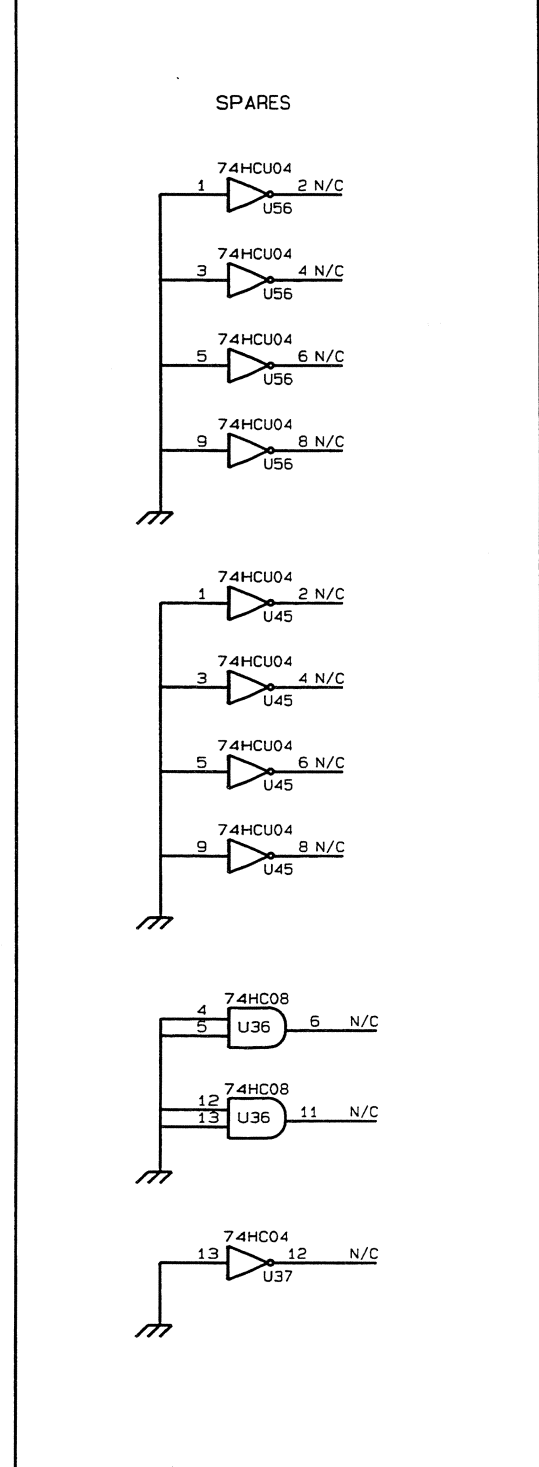
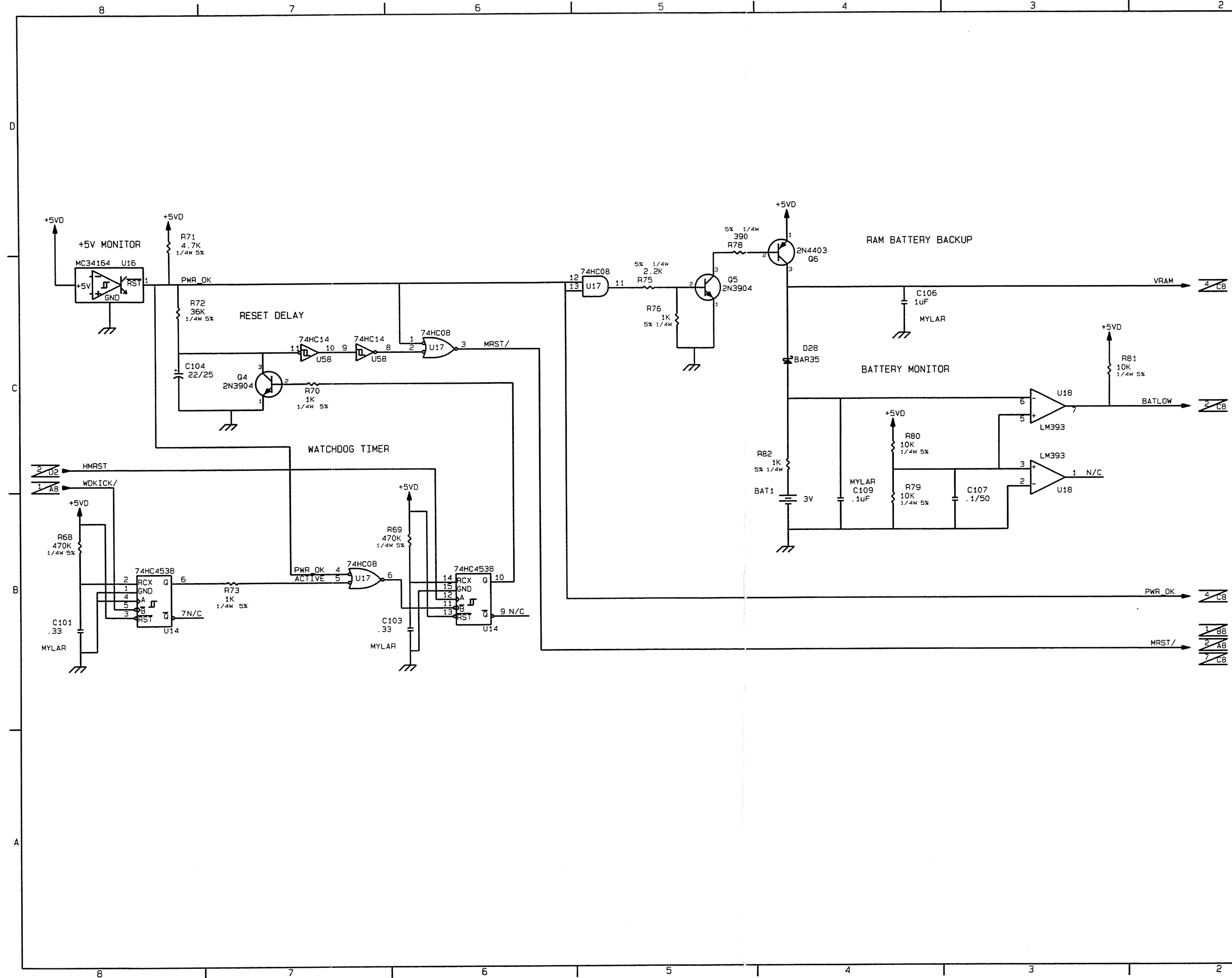


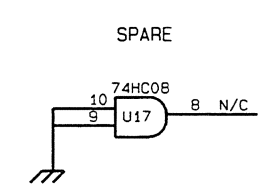
| REVISIONS | | | |
|-----------|---|------------|--------------------|
| REV | DESCRIPTION | CHANGED BY | DATE |
| 1 | DISCONNECT U22-13 & U22-14 FROM VCC AND CONNECT THEM TO DGND PER ECO #940325-00 | CW KE | 7/6/94 7/6/94 |
| 2 | CHANGE THE VALUE OF R115 FROM 91 OHMS TO 10 OHMS PER ECO #941025-01 | RWH KE | 11/7/94 11/7/94 |



| | | | |
|--------------|---|---------------------------------------|---------------|
| CONTRACT NO. | Lexicon 100 BEAVER ST. WALTHAM, MA 02154 | | |
| APPROVALS | DATE | TITLE | |
| DRAWN KE/SF | 11/22/93 | SCHEM. HOST BD. PCM-80 DIGITAL I/O | |
| CHECKED KE | 11/30/93 | SIZE | CODE NUMBER |
| D.C. | RWH | B | 060-09827 |
| ISSUED AF | 12/1/93 | REV. | 2 |
| | | | SHEET 7 OF 13 |

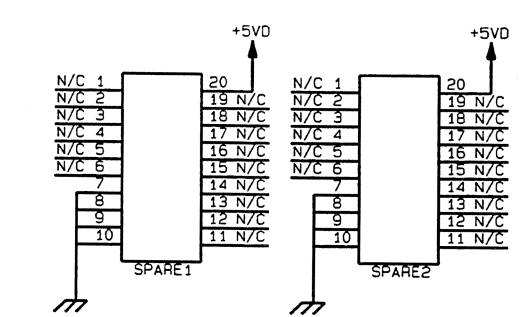


| REVISIONS | | | |
|-----------|---|---------------|------------------------------------|
| REV | DESCRIPTION | DRAWN/CHECKER | DATE / AUTHORIZED |
| 1 | REMOVE W2, W3; MOVE R73; CHANGE R73 FROM 10K TO 1K - FOR REV 3 PCB PER PCR #940127-00 | CW KE | RWH CB/AF 2/17/94 2/17/94 |

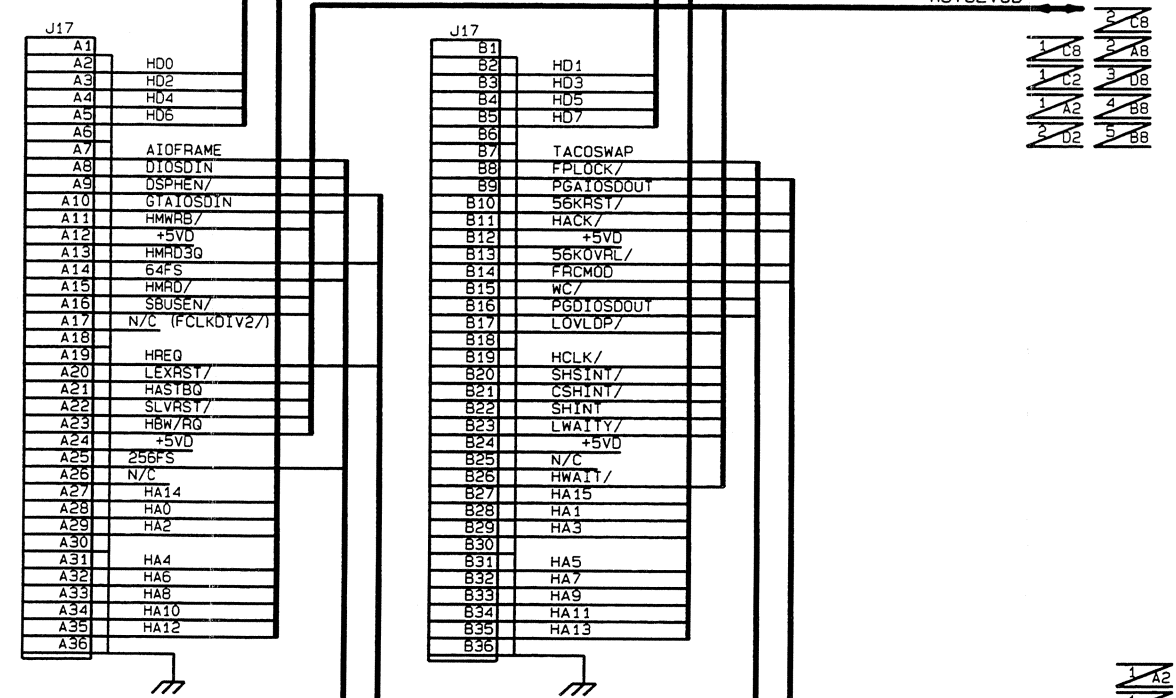


| | | | |
|--------------|---|-----------------------------|---------------|
| CONTRACT NO. | lexicon 100 BEAVER ST. WALTHAM, MA 02154 | | |
| APPROVALS | DATE | TITLE | |
| DRAWN AEJ/SF | 11/22/93 | SCHEM. HOST BD, PCM-80 | |
| CHECKED KE | 11/30/93 | RESET/BATTERY/PS CONNECTION | |
| D.C. | RWH 12/1/93 | SIZE | CODE NUMBER |
| ISSUED AF | 12/1/93 | B | 060-09827 1 |
| | | | SHEET 8 OF 13 |

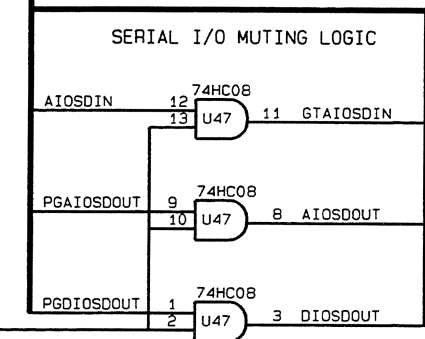
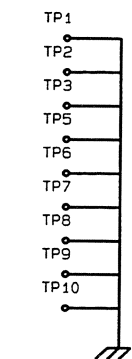
| REVISIONS | | | |
|-----------|--|---------------|-------------------|
| REV | DESCRIPTION | DRAWN/CHECKER | U.C. / AUTHORIZED |
| 1 | DELETE 0.1 UF (C115) PER ECO #940520-00. ADD LWAITY/ TO J17-B23 - FOR REV 4 PCB - ECO #940613-00 | CW KE | RWH AF |
| | | 7/6/94 | 7/6/94 |



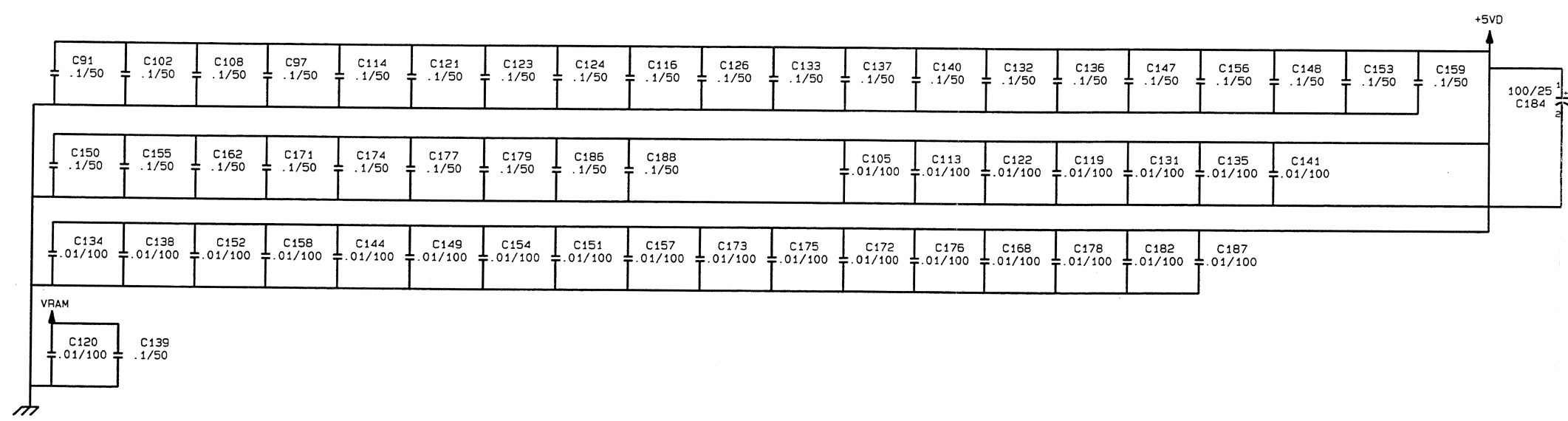
J17 IS CONNECTED TO DSP BOARD



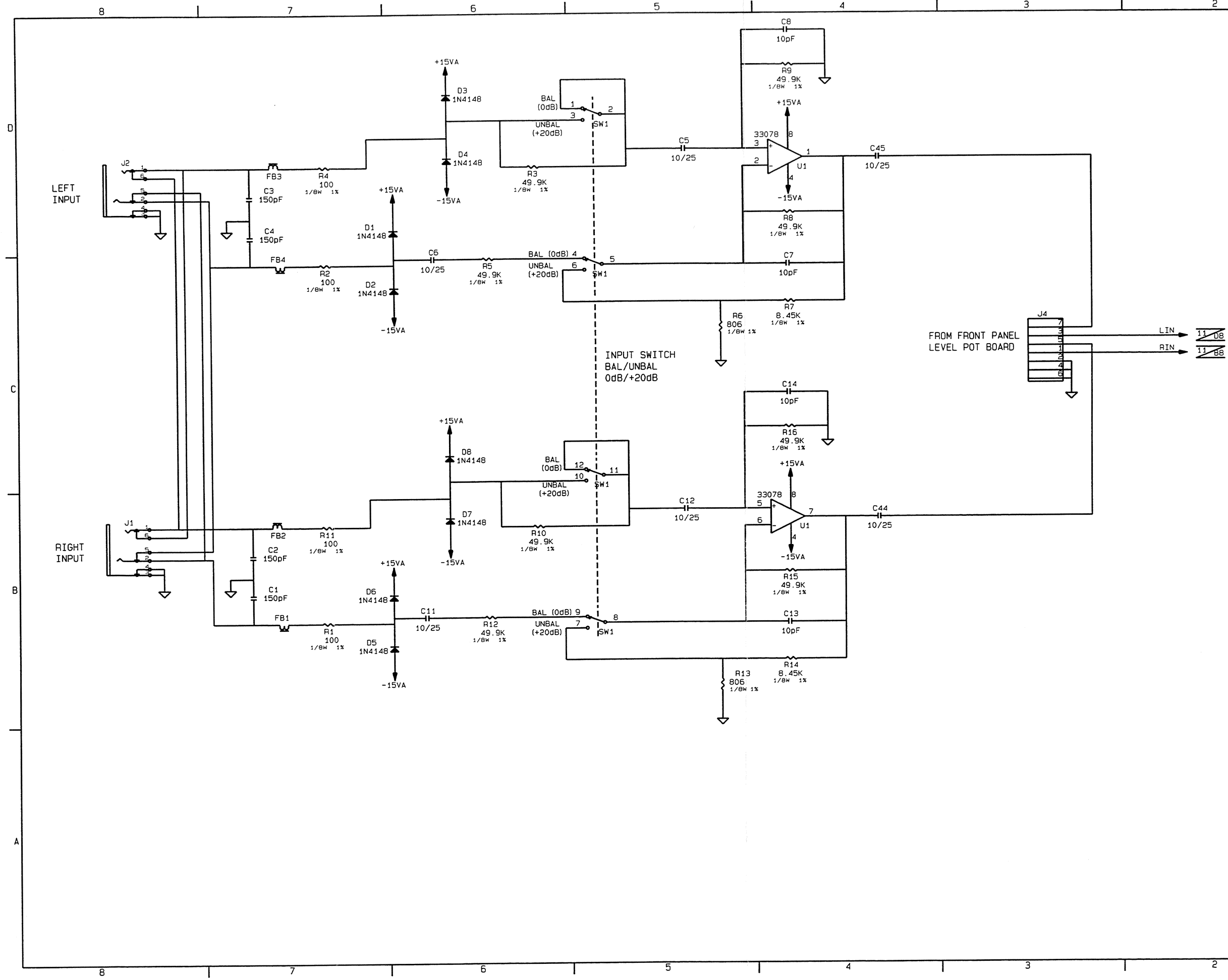
GROUND TEST POINTS



MUTE/

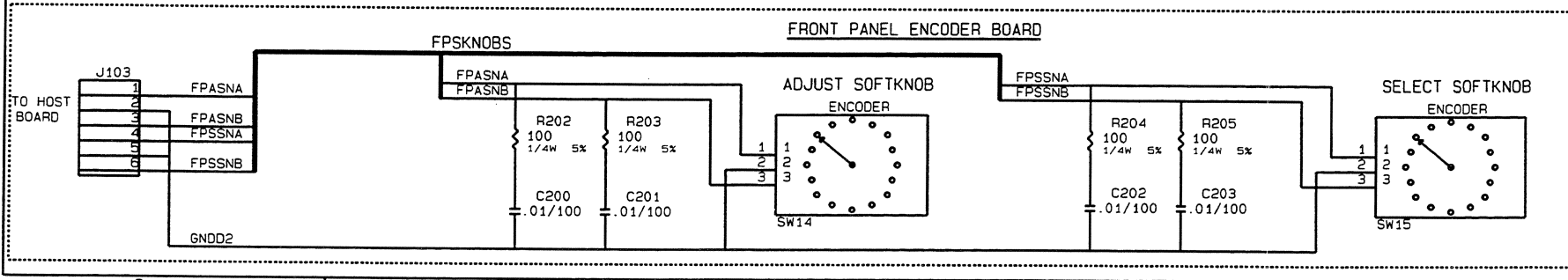
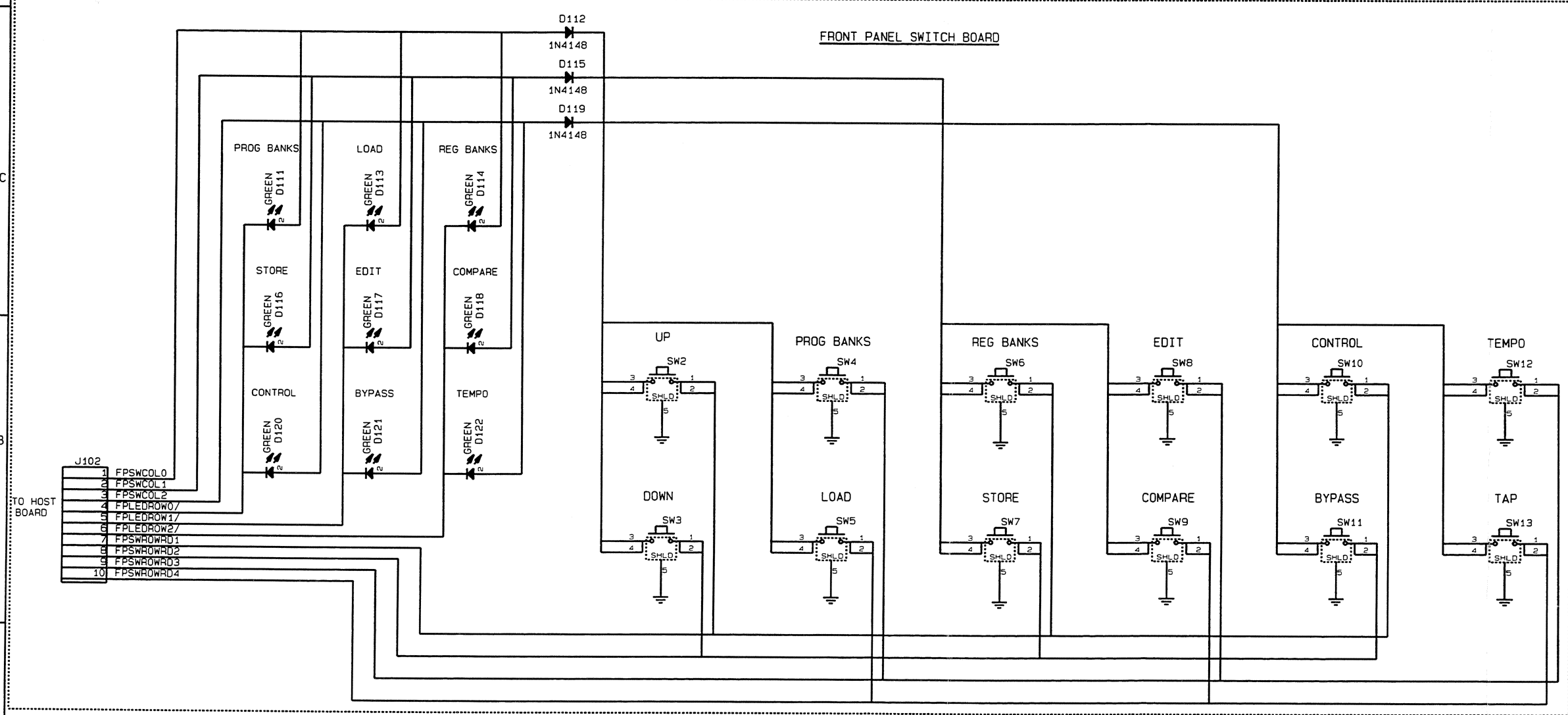
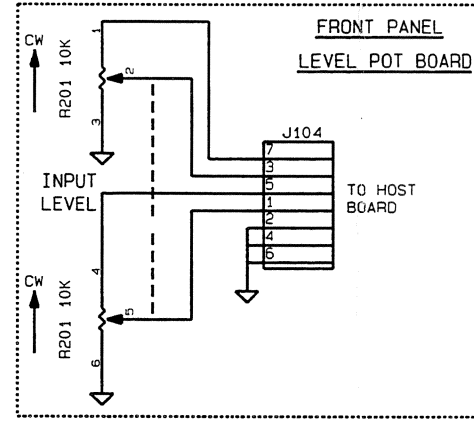
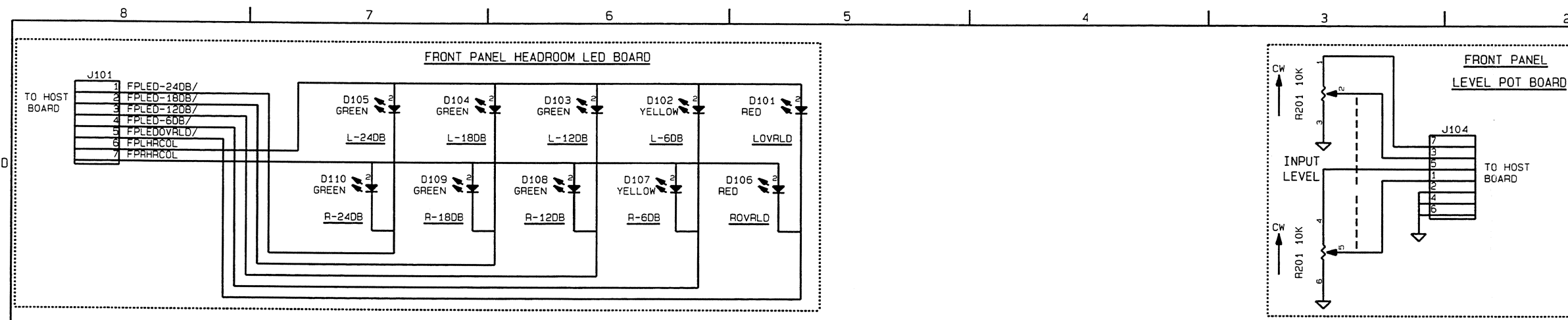


| | | | |
|--------------|----------|----------------------------------|-------------|
| CONTRACT NO. | | lexicon | |
| | | 100 BEAVER ST. WALTHAM, MA 02154 | |
| APPROVALS | DATE | TITLE | |
| | | SCHEM. HOST BD. PCM-80 | |
| DRAWN KE/SF | 11/22/93 | DSP BOARD CON./BYPASS CAPS | |
| CHECKED KE | 11/30/93 | SIZE | CODE NUMBER |
| U.C. RWH | 12/1/93 | B | 060-09827 |
| ISSUED AF | 12/1/93 | | 1 |



| REVISIONS | | | |
|-----------|-------------|---------------|-----------------|
| REV | DESCRIPTION | DRAWN/CHECKER | DATE/AUTHORIZED |
| | | | |
| | | | |

| | | | |
|--------------|-------------|---|-------------|
| CONTRACT NO. | | Lexicon 100 BEAVER ST. WALTHAM, MA 02154 | |
| APPROVALS | DATE | TITLE | |
| | | SCHEM. HOST BD. PCM-80 ANALOG INPUTS | |
| DRAWN | AF 11/22/93 | SIZE | CODE NUMBER |
| CHECKED | KE 11/30/93 | B | 060-09827 |
| D.C. | RWH 12/1/93 | | |
| ISSUED | AF 12/1/93 | | |



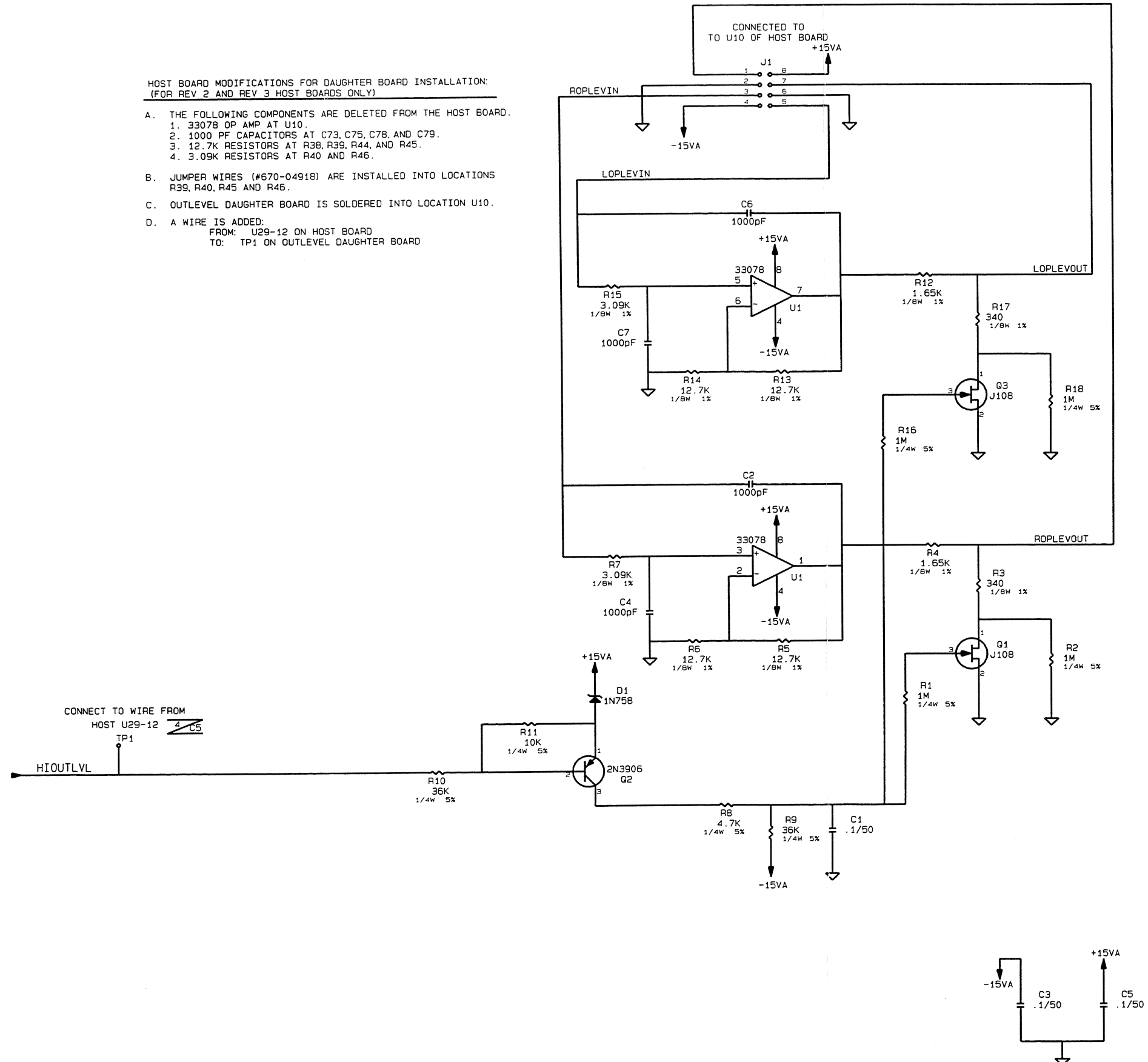
| REVISIONS | | | |
|-----------|--|-------------------|-----------------------|
| REV | DESCRIPTION | CHKD / CHECKER | AUTHZ / AUTHORIZED |
| 1 | ADD DEBOUNCE RES (R202-205) AND CAPS (C200-203) TO ROTARY ENCODER BOARD PER ECO #940613-00 | CW KE | RWH AF |
| | | 7/6/94 | 7/6/94 |

- NOTES
- UNLESS OTHERWISE INDICATED, CAPACITORS ARE UF/V.
 - ANALOG GROUND (symbol with diagonal line) DIGITAL GROUND (symbol with diagonal line) CHASSIS GROUND (symbol with diagonal line) ANALOG PWR GND (symbol with diagonal line)
 - 1/2 DENOTES SHEET NUMBER AND A2 INTERSECT COORDINATE.
 - ON BOARD CONNECTION-TO ON BOARD CONNECTION-FROM SOLDER CONNECTION
 - REFERENCE DESIGNATORS, LAST USED: C203, R205, D122, SW15, J104

| | | | |
|--------------|---|---|--------------|
| CONTRACT NO. | lexicon 100 BEAVER ST. WALTHAM, MA 02154 | | |
| APPROVALS | DATE | TITLE | |
| DRAWN KE/SF | 11/22/93 | SCHEM. FRONT PANEL BDS, PCM-80 HEADROOM LEDS/INPUT LEVEL POT/ SWITCHES/ENCODERS | |
| CHECKED KE | 11/30/93 | SIZE | CODE NUMBER |
| Q.C. RWH | 12/1/93 | B | 060-09839 |
| ISSUED AF | 12/1/93 | REV. | 1 |
| | | | SHEET 1 OF 1 |

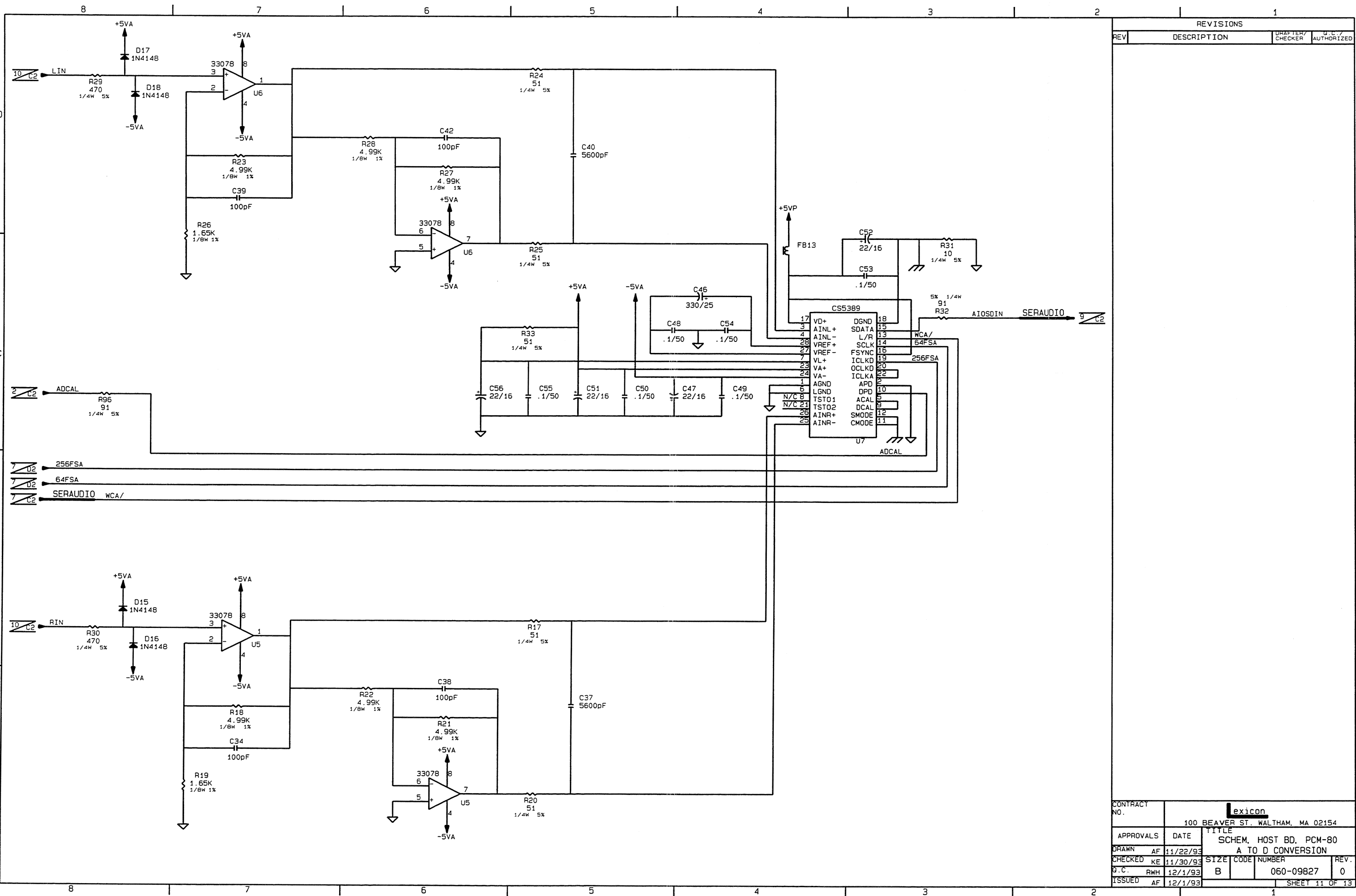
| REVISIONS | | | |
|-----------|-------------|---------------|-------------------|
| REV | DESCRIPTION | DRAWN/CHECKER | Q.C. / AUTHORIZED |

- HOST BOARD MODIFICATIONS FOR DAUGHTER BOARD INSTALLATION:
(FOR REV 2 AND REV 3 HOST BOARDS ONLY)
- A. THE FOLLOWING COMPONENTS ARE DELETED FROM THE HOST BOARD.
 1. 33078 OP AMP AT U10.
 2. 1000 PF CAPACITORS AT C73, C75, C78, AND C79.
 3. 12.7K RESISTORS AT R38, R39, R44, AND R45.
 4. 3.09K RESISTORS AT R40 AND R46.
 - B. JUMPER WIRES (#670-04918) ARE INSTALLED INTO LOCATIONS R39, R40, R45 AND R46.
 - C. OUTLEVEL DAUGHTER BOARD IS SOLDERED INTO LOCATION U10.
 - D. A WIRE IS ADDED:
FROM: U29-12 ON HOST BOARD
TO: TP1 ON OUTLEVEL DAUGHTER BOARD



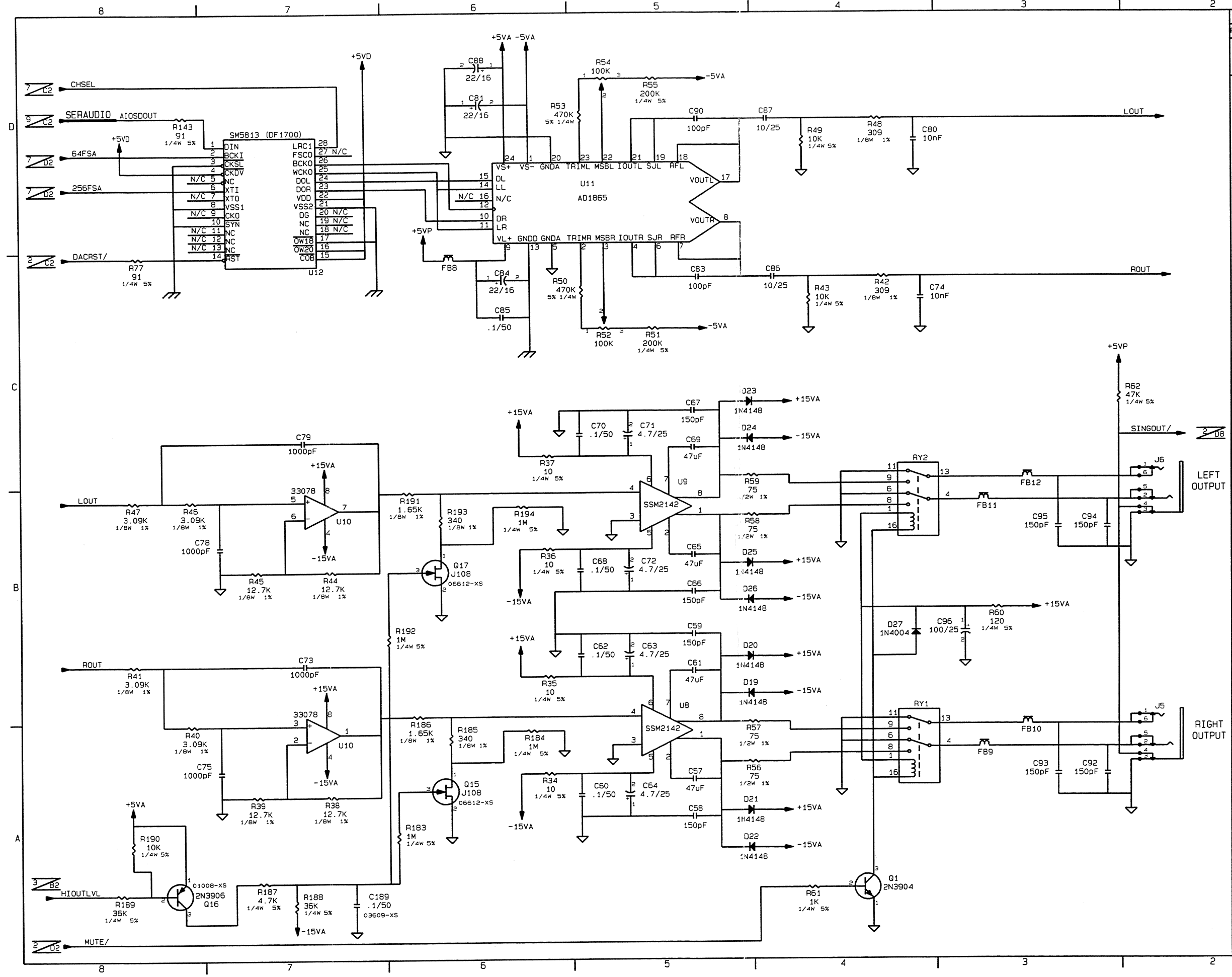
- NOTES
1. UNLESS OTHERWISE INDICATED, CAPACITORS ARE UF/V.
 2. ANALOG GROUND (diagonal line), DIGITAL GROUND (diagonal line), CHASSIS GROUND (horizontal line), ANALOG PWR GND (horizontal line).
 3. 1 DENOTES SHEET NUMBER AND 2 INTERSECT COORDINATE.
 4. ON BOARD CONNECTION-TO (arrow), ON BOARD CONNECTION-FROM (arrow), SOLDER CONNECTION (circle).
 5. REFERENCE DESIGNATORS, LAST USED:
U1, R18, C7, Q3, D1, J1

| | | | |
|--------------|----------------------------------|----------------------------|------------------|
| CONTRACT NO. | lexicon | | |
| | 100 BEAVER ST. WALTHAM, MA 02154 | | |
| APPROVALS | DATE | TITLE | |
| | 5/20/94 | SCHEM. OUTLEVEL BD, PCM-80 | |
| DRAWN | RWH | ANALOG OUTPUT DAUGHTER BRD | |
| CHECKED | AF | 5/26/94 | SIZE CODE NUMBER |
| Q.C. | CW | 7/6/94 | B 060-10341 0 |
| ISSUED | KE | 7/6/94 | SHEET 1 OF 1 |



| REVISIONS | | | |
|-----------|-------------|-----------------|-------------------|
| REV | DESCRIPTION | DRAFTER/CHECKER | U.C. / AUTHORIZED |
| | | | |
| | | | |
| | | | |

| | | | |
|--------------|---|------------------------|----------------|
| CONTRACT NO. | lexicon 100 BEAVER ST. WALTHAM, MA 02154 | | |
| APPROVALS | DATE | TITLE | |
| DRAWN | 11/22/93 | SCHEM. HOST BD. PCM-80 | |
| CHECKED | 11/30/93 | A TO D CONVERSION | |
| D.C. | RWH 12/1/93 | SIZE | CODE NUMBER |
| ISSUED | AF 12/1/93 | B | 060-09827 0 |
| | | | SHEET 11 OF 13 |

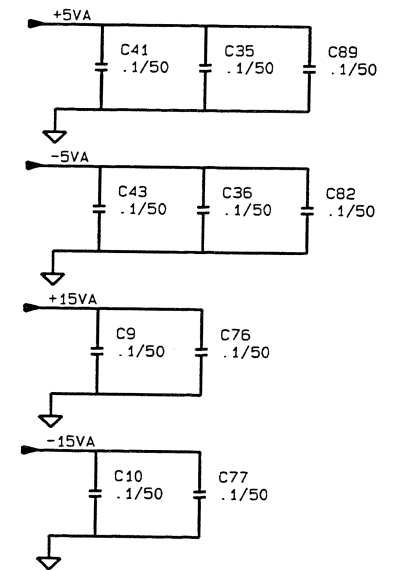
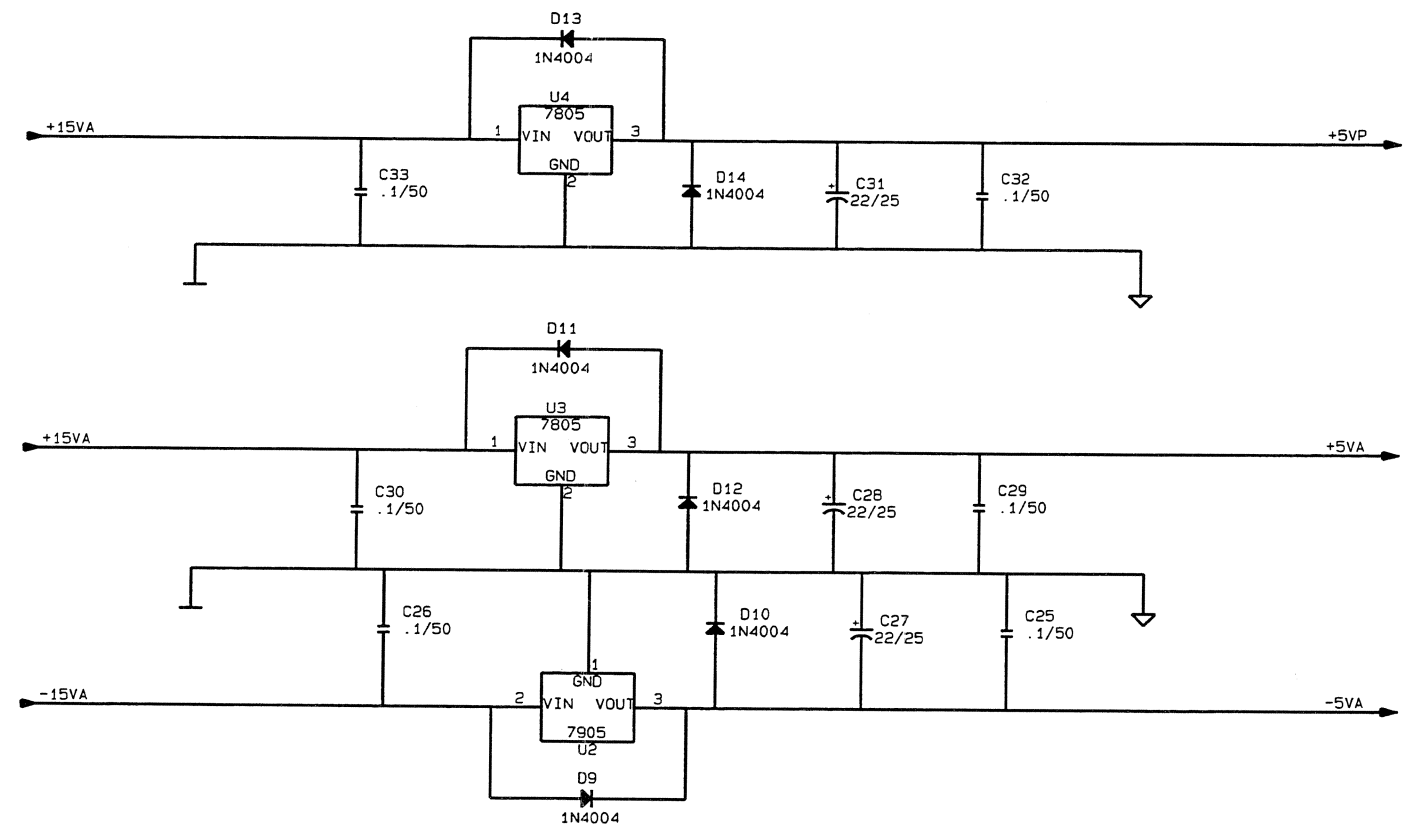
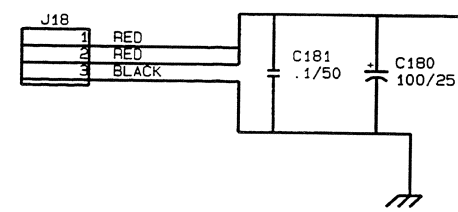
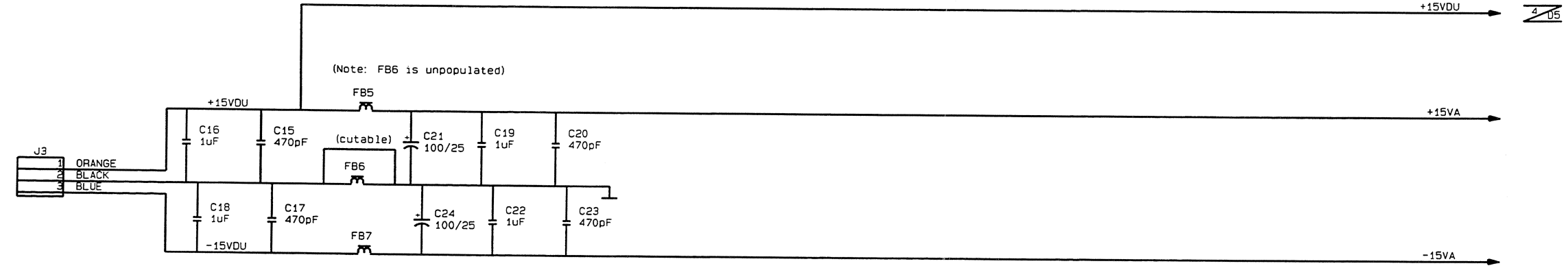
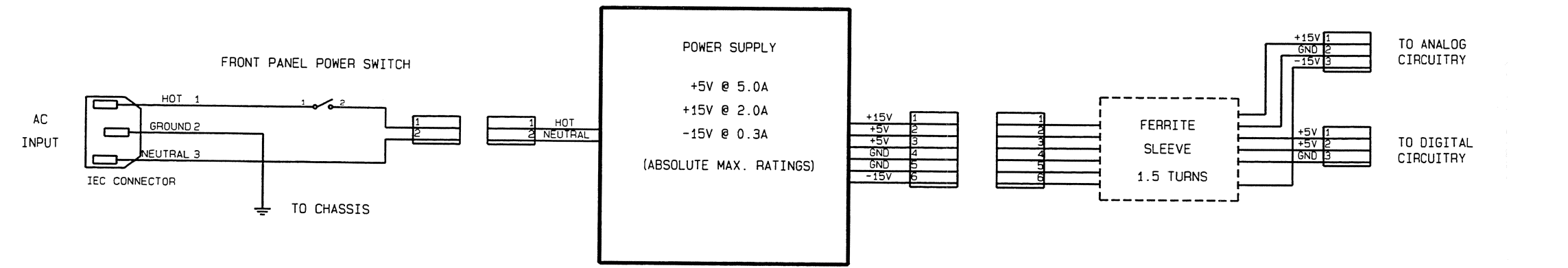


| REVISIONS | | | |
|-----------|---|---------------|------------|
| REV | DESCRIPTION | DRAWN/CHECKER | AUTHORIZED |
| 1 | ADD ANALOG OUTPUT LEVEL SELECTION CIRCUITRY FOR REV 4 PCB PER ECO #940613-00. | CW KE | RWH AF |
| | | 7/6/94 | 7/6/94 |
| | | 7/6/94 | 7/6/94 |

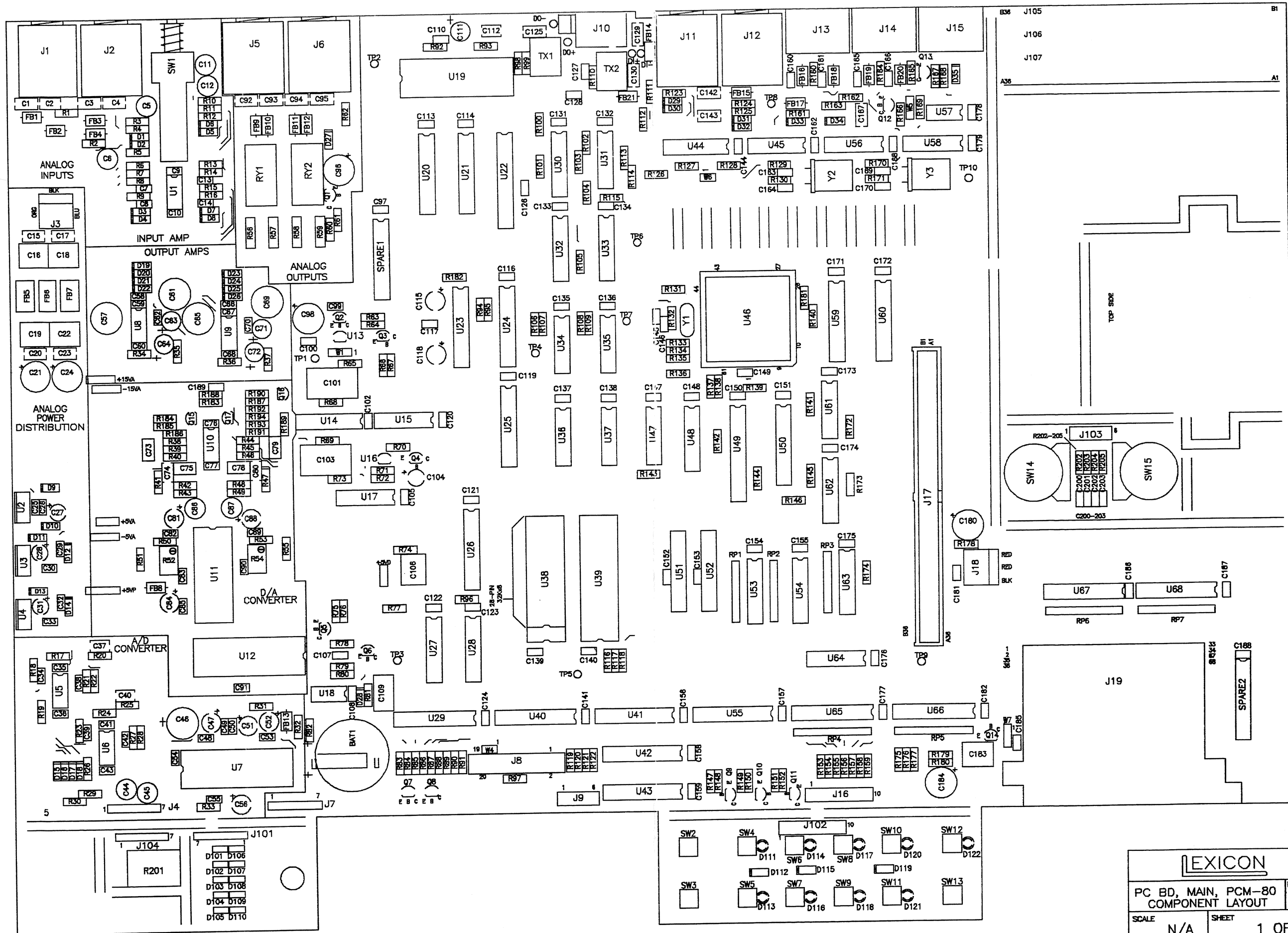
| | | | |
|--------------|----------|---|------------------|
| CONTRACT NO. | | Lexicon 100 BEAVER ST. WALTHAM, MA 02154 | |
| APPROVALS | DATE | TITLE | |
| AF | 11/22/93 | SCHEM. HOST BD. PCM-80 DAC & OUTPUTS | |
| CHECKED | KE | 11/30/93 | SIZE CODE NUMBER |
| AF | 12/1/93 | B | 060-09827 |
| ISSUED | AF | 12/1/93 | REV. 1 |
| | | | SHEET 12 OF 13 |

REVISIONS

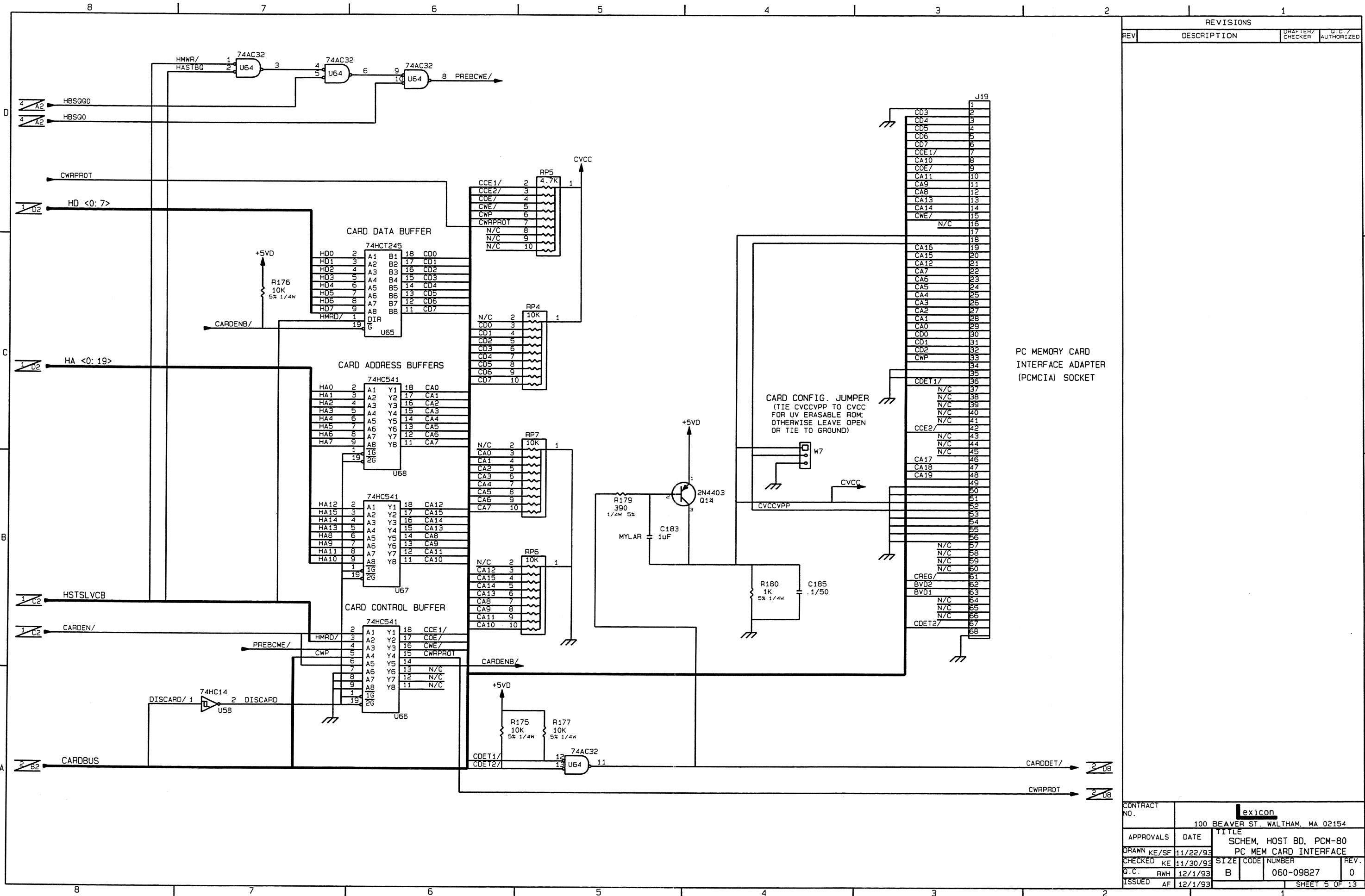
| REV | DESCRIPTION | DRAWN/CHECKER | DATE | Q.C. / AUTHORIZED |
|-----|--|---------------|--------------------|-------------------|
| 1 | DEPOPULATE FB6 - FOR REV 3 PCB PER PCR #940127-00 | CW KE | 2/10/94 2/17/94 | RWH CB/AF |



| | | | |
|--------------|--|--|----------------|
| CONTRACT NO. | lexicon 100 BEAVER ST., WALTHAM, MA 02154 | | |
| APPROVALS | DATE | TITLE | |
| AF | 11/22/93 | SCHEM. HOST BD, PCM-80 POWER SUPPLY | |
| CHECKED | KE | 11/30/93 | NUMBER |
| Q.C. | RWH | 12/1/93 | B |
| ISSUED | AF | 12/1/93 | 060-09827 |
| | | | REV. 1 |
| | | | SHEET 13 OF 13 |



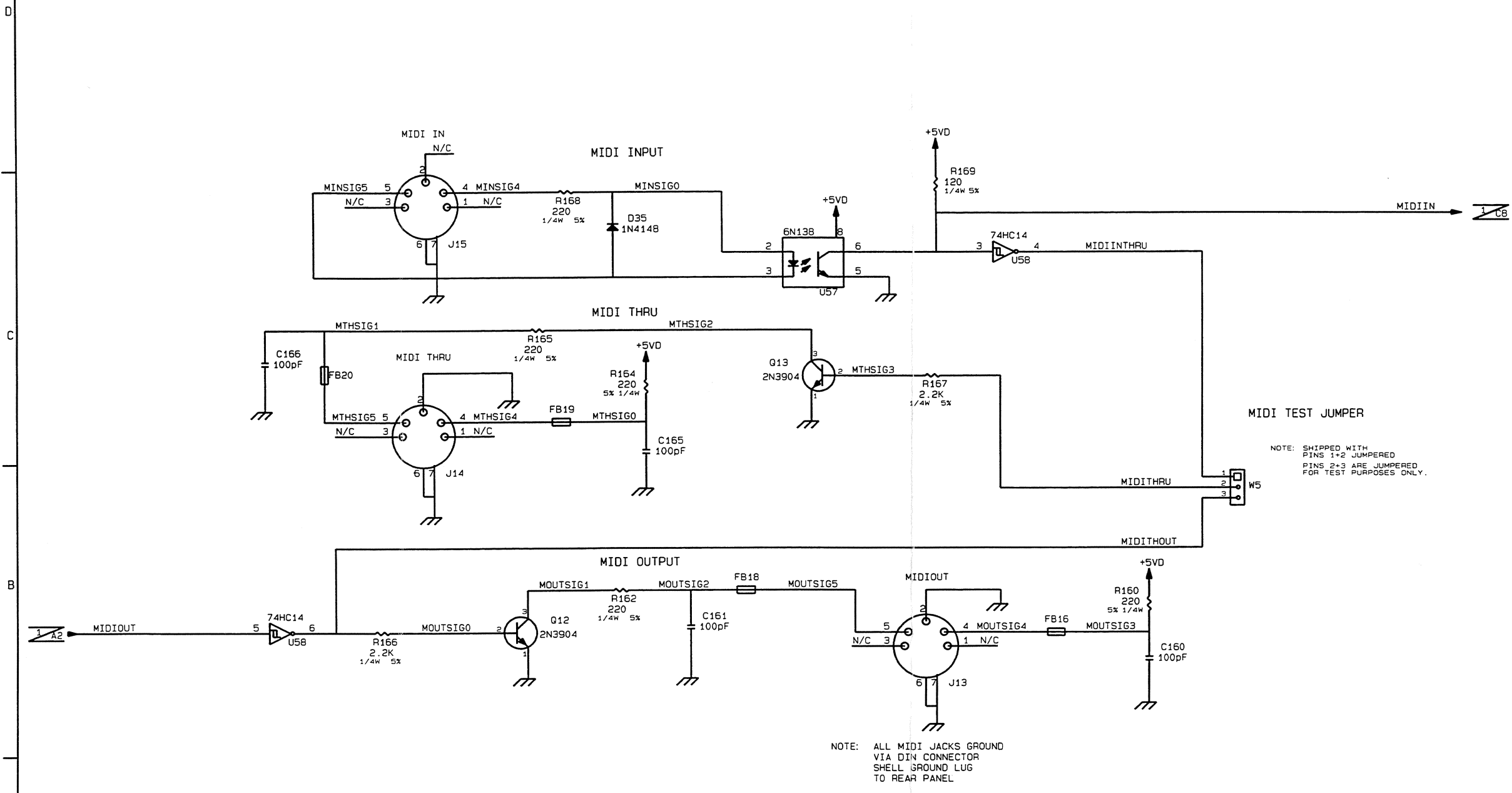
| | |
|---------------------|--------------|
| LEXICON | |
| PC BD, MAIN, PCM-80 | REV. 5 |
| SCALE N/A | SHEET 1 OF 1 |



| REVISIONS | | | |
|-----------|-------------|---------------|------|
| REV | DESCRIPTION | DRAWN/CHECKER | DATE |
| | | | |

| | | | |
|---------------|--|------------------------|-------------|
| CONTRACT NO. | lexicon 100 BEAVER ST., WALTHAM, MA 02154 | | |
| APPROVALS | DATE | TITLE | |
| DRAWN KE/SF | 11/22/93 | SCHEM, HOST BD, PCM-80 | |
| CHECKED KE | 11/30/93 | SIZE | CODE NUMBER |
| G.C. | RWH | B | 060-09827 |
| ISSUED | AF | 12/1/93 | 0 |
| SHEET 5 OF 13 | | | REV. |

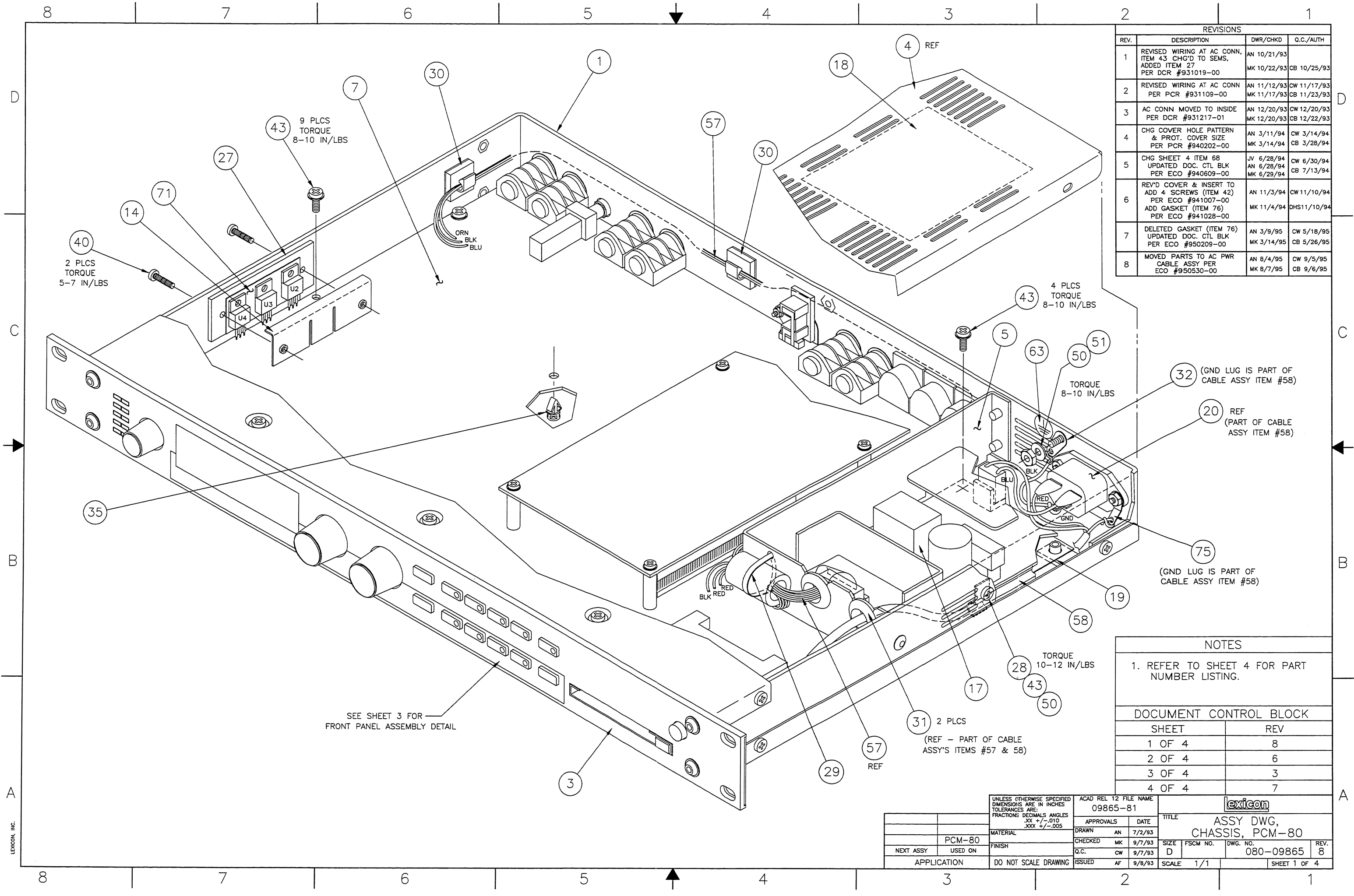
| REVISIONS | | | |
|-----------|-------------|---------------|-----------------|
| REV | DESCRIPTION | DRAWN/CHECKER | DATE/AUTHORIZED |
| | | | |
| | | | |
| | | | |
| | | | |



NOTE: ALL MIDI JACKS GROUND VIA DIN CONNECTOR SHELL GROUND LUG TO REAR PANEL

MIDI TEST JUMPER
NOTE: SHIPPED WITH PINS 1+2 JUMPERED PINS 2+3 ARE JUMPERED FOR TEST PURPOSES ONLY.

| | | | |
|--------------|--|------------------------|-------------|
| CONTRACT NO. | lexicon 100 BEAVER ST., WALTHAM, MA 02154 | | |
| APPROVALS | DATE | TITLE | |
| | | SCHEM, HOST BD, PCM-80 | |
| DRAWN KE/SF | 11/22/93 | MIDI | |
| CHECKED AF | 11/30/93 | SIZE | CODE NUMBER |
| | | B | 060-09827 |
| ISSUED KE | 12/1/93 | REV. | 0 |
| | | SHEET 6 OF 13 | |



| REVISIONS | | | |
|-----------|---|----------------------------|-----------------------------|
| REV. | DESCRIPTION | DWR/CHKD | Q.C./AUTH |
| 1 | REVISED WIRING AT AC CONN, ITEM 43 CHG'D TO SEMS, ADDED ITEM 27 PER DCR #931019-00 | AN 10/21/93 MK 10/22/93 | CB 10/25/93 |
| 2 | REVISED WIRING AT AC CONN PER PCR #931109-00 | AN 11/12/93 MK 11/17/93 | CW 11/17/93 CB 11/23/93 |
| 3 | AC CONN MOVED TO INSIDE PER DCR #931217-01 | AN 12/20/93 MK 12/20/93 | CW 12/20/93 CB 12/22/93 |
| 4 | CHG COVER HOLE PATTERN & PROT. COVER SIZE PER PCR #940202-00 | AN 3/11/94 MK 3/14/94 | CW 3/14/94 CB 3/28/94 |
| 5 | CHG SHEET 4 ITEM 68 UPDATED DOC. CTL BLK PER ECO #940609-00 | JV 6/28/94 MK 6/28/94 | CW 6/30/94 CB 7/13/94 |
| 6 | REV'D COVER & INSERT TO ADD 4 SCREWS (ITEM 42) PER ECO #941007-00 ADD GASKET (ITEM 76) PER ECO #941028-00 | AN 11/3/94 MK 11/4/94 | CW 11/10/94 DHS 11/10/94 |
| 7 | DELETED GASKET (ITEM 76) UPDATED DOC. CTL BLK PER ECO #950209-00 | AN 3/9/95 MK 3/14/95 | CW 5/18/95 CB 5/26/95 |
| 8 | MOVED PARTS TO AC PWR CABLE ASSY PER ECO #950530-00 | AN 8/4/95 MK 8/7/95 | CW 9/5/95 CB 9/6/95 |

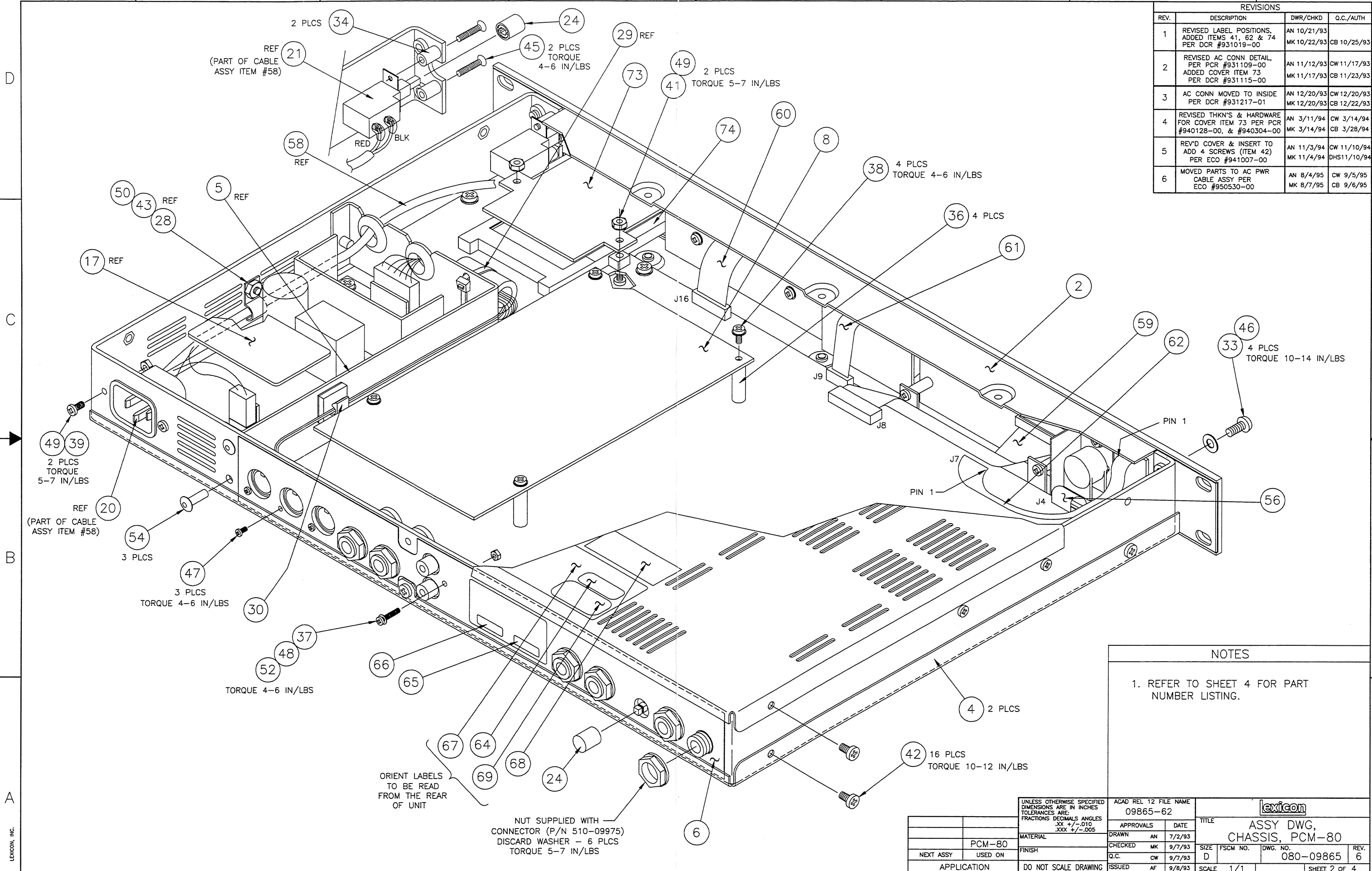
NOTES
1. REFER TO SHEET 4 FOR PART NUMBER LISTING.

| DOCUMENT CONTROL BLOCK | |
|------------------------|-----|
| SHEET | REV |
| 1 OF 4 | 8 |
| 2 OF 4 | 6 |
| 3 OF 4 | 3 |
| 4 OF 4 | 7 |

| | | | | |
|--|-------------|--------------------------------|---------|---------------------------|
| UNLESS OTHERWISE SPECIFIED DIMENSIONS ARE IN INCHES TOLERANCES ARE: FRACTIONS DECIMALS ANGLES .XX +/- .010 .XXX +/- .005 | | ACAD REL 12 FILE NAME 09865-81 | lexicon | |
| MATERIAL PCM-80 | FINISH | APPROVALS | DATE | TITLE |
| NEXT ASSY USED ON | APPLICATION | DRAWN AN | 7/2/93 | ASSY DWG, CHASSIS, PCM-80 |
| | | CHECKED MK | 9/7/93 | SIZE D |
| | | Q.C. CW | 9/7/93 | FSCM NO. 080-09865 |
| | | ISSUED AF | 9/8/93 | DWG. NO. 080-09865 |
| | | | | REV. 8 |
| | | | | SCALE 1/1 |
| | | | | SHEET 1 OF 4 |

LEXICON, INC.

| REVISIONS | | | |
|-----------|---|----------------------------|----------------------------|
| REV. | DESCRIPTION | DWR/CHKD | Q.C./AUTH |
| 1 | REVISED LABEL POSITIONS, ADDED ITEMS 41, 62 & 74 PER DCR #931019-00 | AN 10/21/93 MK 10/22/93 | CB 10/25/93 |
| 2 | REVISED AC CONN DETAIL, PER PCR #931109-00 ADDED COVER ITEM 73 PER DCR #931115-00 | AN 11/12/93 MK 11/17/93 | CW 11/17/93 CB 11/23/93 |
| 3 | AC CONN MOVED TO INSIDE PER DCR #931217-01 | AN 12/20/93 MK 12/20/93 | CW 12/20/93 CB 12/22/93 |
| 4 | REVISED THKN'S & HARDWARE FOR COVER ITEM 73 PER PCR #940128-00, & #940304-00 | AN 3/11/94 MK 3/14/94 | CW 3/14/94 CB 3/28/94 |
| 5 | REV'D COVER & INSERT TO ADD 4 SCREWS (ITEM 42) PER ECO #941007-00 | AN 11/3/94 MK 11/4/94 | CW 11/10/94 DHS11/10/94 |
| 6 | MOVED PARTS TO AC PWR CABLE ASSY PER ECO #950530-00 | AN 8/4/95 MK 8/7/95 | CW 9/5/95 CB 9/6/95 |



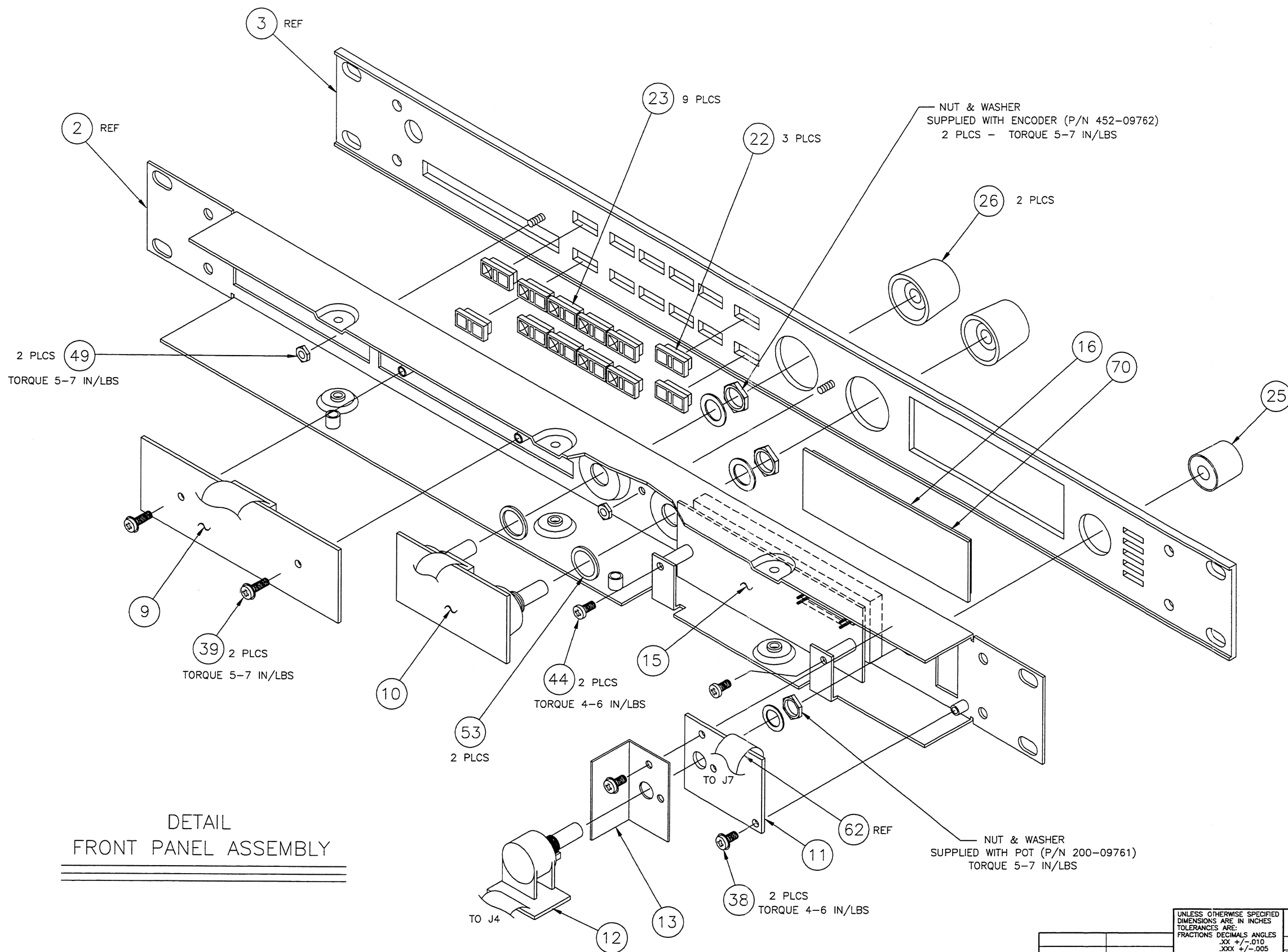
NOTES

1. REFER TO SHEET 4 FOR PART NUMBER LISTING.

| | | | | |
|---|----|--------------------------------|---------------------------|--------------------|
| UNLESS OTHERWISE SPECIFIED DIMENSIONS ARE IN INCHES TOLERANCES ARE FRACTIONS DECIMALS ANGLES .XX +/- .010 .XXX +/- .005 | | ACAD REL 12 FILE NAME 09865-62 | lexicon | |
| APPROVALS | | DATE | TITLE | |
| DRAWN | AN | 7/2/93 | ASSY DWG, CHASSIS, PCM-80 | |
| CHECKED | MK | 9/7/93 | SIZE | FSCM NO. |
| Q.C. | CW | 9/7/93 | D | DWG. NO. 080-09865 |
| ISSUED | AF | 9/8/93 | SCALE | 1/1 |
| NEXT ASSY USED ON | | APPLICATION | | REV. 6 |
| PCM-80 | | DO NOT SCALE DRAWING | | SHEET 2 OF 4 |

LEXICON, INC.

| REVISIONS | | | |
|-----------|---|----------------------------|----------------------------|
| REV. | DESCRIPTION | DWR/CHKD | Q.C./AUTH |
| 1 | ADDED WASHERS ITEM 53 PER DCR #931019-00 | AN 10/21/93 MK 10/22/93 | CW 11/17/93 CB 10/25/93 |
| 2 | REV'D PICTORIAL OF INSERT PER ECO #941007-00 ADDED GASKET ITEM 76 PER ECO #941028-00 | AN 11/3/94 MK 11/4/94 | CW 11/10/94 DHS11/10/94 |
| 3 | DELETED GASKET ITEM 76 PER ECO #950209-00 | AN 3/9/95 MK 3/14/95 | CW 5/18/95 CB 5/26/95 |



DETAIL
FRONT PANEL ASSEMBLY

NOTES

1. REFER TO SHEET 4 FOR PART NUMBER LISTING.

| | | | | |
|---|--|-----------------------------------|---------------------------------------|-----------------------|
| UNLESS OTHERWISE SPECIFIED DIMENSIONS ARE IN INCHES TOLERANCES ARE: FRACTIONS DECIMALS ANGLES XX +/- .010 XXX +/- .005 | | ACAD REL 12 FILE NAME 09865-33 | lexicon | |
| MATERIAL PCM-80 | | APPROVALS DRAWN AN 7/2/93 | TITLE ASSY DWG, CHASSIS, PCM-80 | |
| NEXT ASSY USED ON | | CHECKED MK 9/7/93 | SIZE D | FSCM NO. 080-09865 |
| APPLICATION DO NOT SCALE DRAWING | | Q.C. CW 9/7/93 | DWG. NO. 080-09865 | REV. 3 |
| | | ISSUED AF 9/8/93 | SCALE 1/1 | SHEET 3 OF 4 |

LEXICON, INC.

| REVISIONS | | | | REVISIONS | | | |
|-----------|--|--------------------------|----------------------------|-----------|--|--|----------------------------|
| REV. | DESCRIPTION | DWR/CHKD | Q.C./AUTH | REV. | DESCRIPTION | DWR/CHKD | Q.C./AUTH |
| 5 | ITEM 42 QTY CHG'D FROM 12 TO 16 PER ECO #941007-00 & ADDED GASKET ITEM 76 PER ECO #941028-00 | AN 11/3/94 MK 11/4/94 | CW 11/10/94 DHS11/10/94 | 1 | ITEM 43 WAS #640-01713, ADDED ITEMS 27, 41, 53, 62, & 74 PER DCR #931019-00 | AN 10/21/93 MK 10/22/93 | CB 10/25/93 |
| 6 | DELETED GASKET #630-10371 PER ECO #950209-00 | AN 3/9/95 MK 3/14/95 | CW 5/18/95 CB 5/26/95 | 2 | ADDED ITEMS 41, 73, 75 QTY CHG ITEMS 40, 43, 49, 50, 54 PER PCR #931109-00 & DCR #931115-00 | AN 11/12/93 MK 11/17/93 | CW 11/17/93 CB 11/23/93 |
| 7 | MOVED PARTS TO AC PWR CABLE ASSY PER ECO #950530-00 | AN 8/4/95 MK 8/7/95 | CW 9/5/95 CB 9/6/95 | 3 | QTY CHG ITEMS 40, 49; P/N CHG ITEMS 41, 62, 64 & 73 PER PCR'S #940128-00, #940131-01, #940304-00, & #940310-00 | AN 3/11/94 MK 3/14/94 | CW 3/14/94 CB 3/28/94 |
| | | | | 4 | ITEM 68 WAS #740-08471, PER ECO#940609-00 | JV 6/28/94 AN 6/28/94 MK 6/28/94 | CW 6/30/94 CB 7/13/94 |

| ITEM# | PART# | DESCRIPTION | QTY | WHERE USED |
|-------|-----------|---|-----|---------------------------------------|
| 1. | 700-09853 | CHASSIS, WRAPAROUND, PCM-80 | 1 | |
| 2. | 700-09856 | CHASSIS, INSERT, FP, PCM-80 | 1 | |
| 3. | 702-09850 | PANEL, FRONT, PCM-80 | 1 | |
| 4. | 700-09857 | COVER, TOP/BOTTOM, PCM-80 | 2 | |
| 5. | 700-09859 | BRACKET, PWR SUP, PCM-80 | 1 | |
| 6. | 703-09854 | PANEL, OVLY, REAR, PCM-80 | 1 | |
| 7. | 022-09803 | PL, HOST BD ASSY, PCM-80 | 1 | |
| 8. | 022-09804 | PL, DSP BD ASSY, PCM-80 | 1 | |
| 9. | 024-09840 | PL, FP SWITCH BD ASSY, PCM-80 | 1 | |
| 10. | 024-09841 | PL, FP ENCODER BD ASSY, PCM-80 | 1 | |
| 11. | 024-09842 | PL, FP HEADROOM BD ASSY, PCM-80 | 1 | |
| 12. | 024-09814 | PL, FP LVL POT BD ASSY, PCM-80 | 1 | |
| 13. | 701-09860 | BRACKET, POT SHIELD, PCM-80 | 1 | |
| 14. | 701-09863 | CLAMP, HEATSINK, TO-220 | 1 | |
| 15. | 430-09785 | DISPLAY, VF, 20X2 CHAR, 5X7 DOT | 1 | |
| 16. | 703-09862 | LENS, DISPLAY, PCM-80 | 1 | |
| 17. | 750-09766 | PWR SUP, 5V@5A/+15V@2A/-15@.5A | 1 | |
| 18. | 702-09858 | COVER, PROTECTIVE, TOP, PS, PCM-80 | 1 | |
| 19. | 702-09861 | COVER, PROTECTIVE, BOT, PS, PCM-80 | 1 | |
| 20. | 490-00798 | CONN, AC, 3MC, BULKHD, IEC, 6A | 1 | |
| 21. | 453-09868 | SW, PBPLP, 1P1T, PCRA, 2.5MM TRAV | 1 | PWR SW |
| 22. | 550-09759 | BUTTON, .20X.50, BLK | 3 | |
| 23. | 550-09760 | BUTTON, .20X.50, BLK, W/LENS | 9 | |
| 24. | 550-03827 | BUTTON, .346RD, BLK | 2 | PWR SW, LVL SW |
| 25. | 550-09087 | KNOB, 15MM, 6MM/FLAT, BLK | 1 | LVL POT |
| 26. | 550-09767 | KNOB, 21MM, 6MM/FL, BLK/BLK | 2 | ENCODERS |
| 27. | 702-09988 | PLATE, HEATSINK, TO-220 | 1 | |
| 28. | 530-09979 | CLAMP, CABLE, .169", ZN | 1 | AC INPUT CABLE |
| 29. | 530-02488 | TIE, CABLE, NYL, .14"X5 5/8" | 1 | PS TO HOST CABLE |
| 30. | 530-09382 | CLIP, WIRE HRNS, .15DIA, ADH BAK | 3 | PS TO HOST CABLE |
| 31. | 540-00874 | GROMMET, 9/16 OD, 7/16 ID | 2 | PS BRKT |
| 32. | 620-01999 | LUG, SOLDER, LCKNG, #6, .020THK | 1 | CHASSIS GND |
| 33. | 630-02737 | WSHR, FL, #8CLX.02 THK, BLK, NYL | 4 | FP TO CHASSIS |
| 34. | 630-03669 | SPCR, #4CLX3/8, 3/16RD, NYL | 2 | PWR SW SUPPORT |
| 35. | 630-09709 | SPCR, PCB/FOOT, .188, NYL | 1 | HOST BD |
| 36. | 635-09770 | SPCR, SWAGE, 4-40X7/8, 1/4RD, BR | 4 | HOST BD/ DSP BD |
| 37. | 640-09698 | SCRW, 2-56X5/8, PNH, PH, ZN | 1 | RCA CONN TO CHASSIS |
| 38. | 640-04339 | SCRW, 4-40X1/4, PNH, PH, SEMS, ZN | 6 | HEADROOM BD TO INSERT (2) |
| 39. | 640-01706 | SCRW, 4-40X3/8, PNH, PH, ZN | 4 | DSP BD TO HOST BD (4) |
| 40. | 640-01700 | SCRW, 4-40X1/2, PNH, PH, SS | 2 | SWITCH BD TO INSERT (2) |
| 41. | 640-02034 | SCRW, 4-40X5/8, PNH, PH, ZN | 2 | AC CONN TO CHASSIS (2) |
| 42. | 640-03957 | SCRW, 6-32X3/16, TH, PH, BLK | 16 | H/S CLAMP TO CHASSIS |
| 43. | 640-09987 | SCRW, 6-32X5/16, PNH, PH, SEMS, ZN | 14 | MEM CARD CONN TO HOST BD |
| 44. | 640-07696 | SCRW, M3X8MM, PNH, PH, ZN | 2 | COVERS TO CHASSIS & INSERT |
| 45. | 640-09758 | SCRW, M3X16MM, FH, PH, ZN | 2 | HOST BD TO CHAS, INSERT & PS BRKT (9) |
| 46. | 640-02736 | SCRW, 8-32X3/8, BH, SCKT, BLK | 4 | PWR SUP TO CHAS & PS BRKT (4) |
| 47. | 641-09699 | SCRW, TAP, AB, #2 X 5/16, PNH, PH, ZN | 3 | AC CABLE CLAMP TO CHASSIS (1) |
| 48. | 643-01855 | NUT, 2-56, HEX, ZN | 1 | DISPLAY TO INSERT |
| 49. | 643-01732 | NUT, 4-40, KEP, ZN | 6 | PWR SW TO CHASSIS |
| 50. | 643-01728 | NUT, 6-32, KEP, ZN | 2 | FP TO CHASSIS |
| 51. | 644-01735 | WSHR, FL, #6CLX3/8 ODX1/32 THK | 1 | MIDI CONN TO CHASSIS |
| 52. | 644-06635 | WSHR, INT STAR, #2, ZN | 1 | RCA CONN TO CHASSIS |
| 53. | 644-07893 | WSHR, FL, .427 IDX .550 ODX .035THK, ZN | 2 | FP TO INSERT (2) AC CONN TO CHAS (2) |
| 54. | 650-05899 | POPRVT, 5/32X1/4, REG PROT HD, AL | 3 | MEM CARD CONN TO HOST BD (2) |
| 55. | | | | CHASSIS GND (1) AC CABLE CLAMP (1) |

| ITEM# | PART# | DESCRIPTION | QTY | WHERE USED |
|-------|-----------|--|--------|-----------------------------|
| 56. | 670-09817 | CABLE, RIB, 24-26AWG, 7CX .1, 1"L | 1 | LVL POT BD TO HOST BD |
| 57. | 680-09755 | CABLE, HSG/ST&T, 6C, 30/8.5, SLV | 1 | PS TO HOST BD |
| 58. | 680-09756 | CABLE, AC PWR, SHLD, 14" | 1 | AC CONN TO PS & PWR SW |
| 59. | 680-09757 | CABLE, XITION/SCKT, 20C, 6.0" | 1 | DISPLAY TO HOST BD |
| 60. | 680-09763 | CABLE, .079, SCKT/SCKTRA, 10C, 2.0" | 1 | SWITCH BD TO HOST BD |
| 61. | 680-09764 | CABLE, .079, SCKT/SCKTRA, 6C, 2.0" | 1 | ENCODER BD TO HOST BD |
| 62. | 680-10181 | CABLE, RIB, 24-28AWG, 7C X .1", 5.5" | 1 | HEADROOM BD TO HOST BD |
| 63. | 740-08556 | LABEL, GROUND SYMBOL, 0.5" DIA | 1 | CHASSIS GND |
| 64. | 740-10160 | LABEL, CE94 | 1 | TOP COVER |
| 65. | 740-09175 | LABEL, .65 X .20, DATE CODE | 1 | REAR PANEL |
| 66. | 740-09176 | LABEL, .65 X .20, S/N | 1 | REAR PANEL |
| 67. | 740-09980 | LABEL, WARNING/APPROVAL, PCM-80 | 1 | TOP COVER |
| 68. | 740-06678 | LABEL, CSA CERTIFIED, CONSUMER | 1 | TOP COVER |
| 69. | 740-08558 | LABEL, TUV CERTIFIED, BAYERN | 1 | TOP COVER |
| 70. | 120-09571 | ADHESIVE, CONTACT CEMENT | 0.03oz | DISPLAY LENS TO FRONT PANEL |
| 71. | 630-09983 | INSUL, SEMI, SIL RUB, ADH, 1.95 X 1.00 | 1 | CHASSIS UNDER REGULATORS |
| 72. | | | | |
| 73. | 710-10190 | PC BD, MEM CD CONN CVR, PCM-80 | 1 | HOST BD |
| 74. | 510-09985 | CONN, MEM CARD, 68 PIN, EJECTOR | 1 | HOST BD |
| 75. | 620-06638 | LUG, SOLDER, LCKING #4 | 1 | AC CABLE GND |

NOTES

1. PART NUMBER LISTING IS FOR REFERENCE ONLY AND DOES NOT SUPERCEDE THE BILL OF MATERIAL #021-09802.

| | | | | | |
|--|----------------------|-----------------------------------|------|---------------------------------------|-----------------------|
| UNLESS OTHERWISE SPECIFIED DIMENSIONS ARE IN INCHES TOLERANCES ARE: FRACTIONS DECIMALS ANGLES .XX +/- .010 .XXX +/- .005 | | ACAD REL 12 FILE NAME 09865-74 | | lexicon | |
| MATERIAL PCM-80 | | APPROVALS | DATE | TITLE ASSY DWG, CHASSIS, PCM-80 | |
| NEXT ASSY | USED ON | CHECKED | Q.C. | SIZE | FSCM NO. |
| APPLICATION | DO NOT SCALE DRAWING | ISSUED | AF | D | DWG. NO. 080-09865 |
| | | | | SCALE | NONE |
| | | | | | REV. 7 |
| | | | | | SHEET 4 OF 4 |