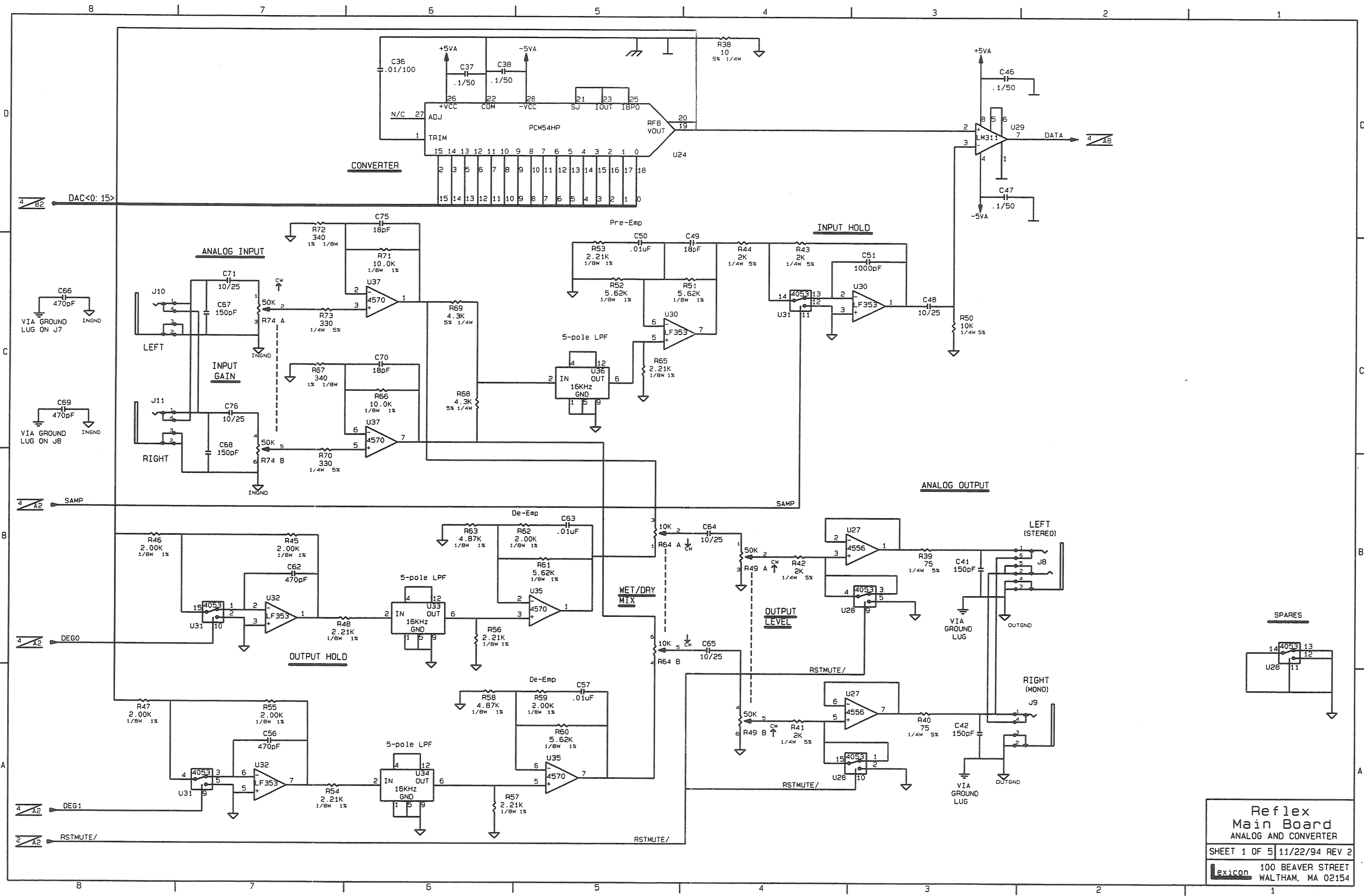
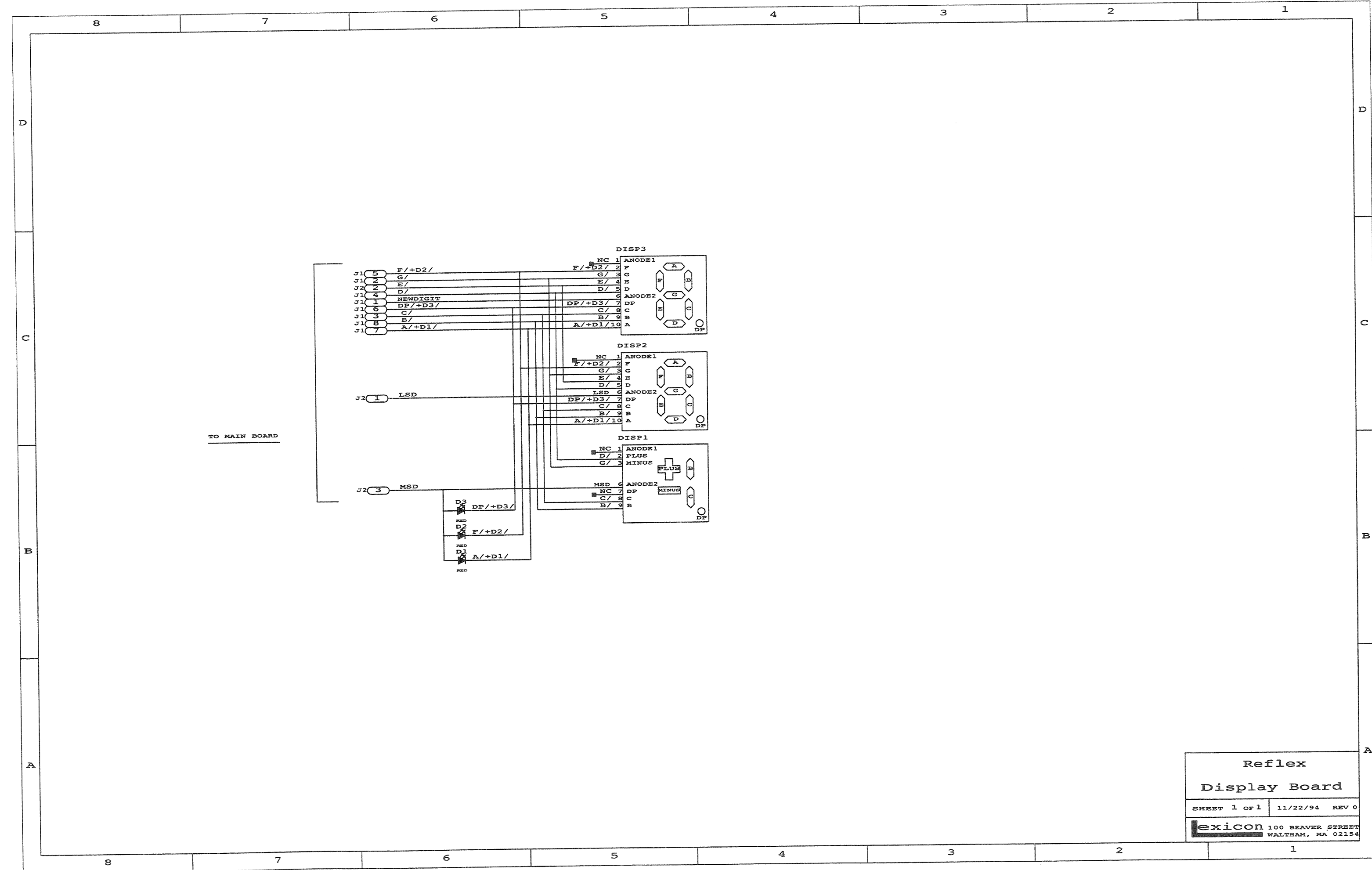


**Reflex**  
**Main Board**  
 COMPONENT PLACEMENT

SHEET 1 OF 1	11/22/94 REV 1
exicon 100 BEAVER STREET WALTHAM, MA 02154	



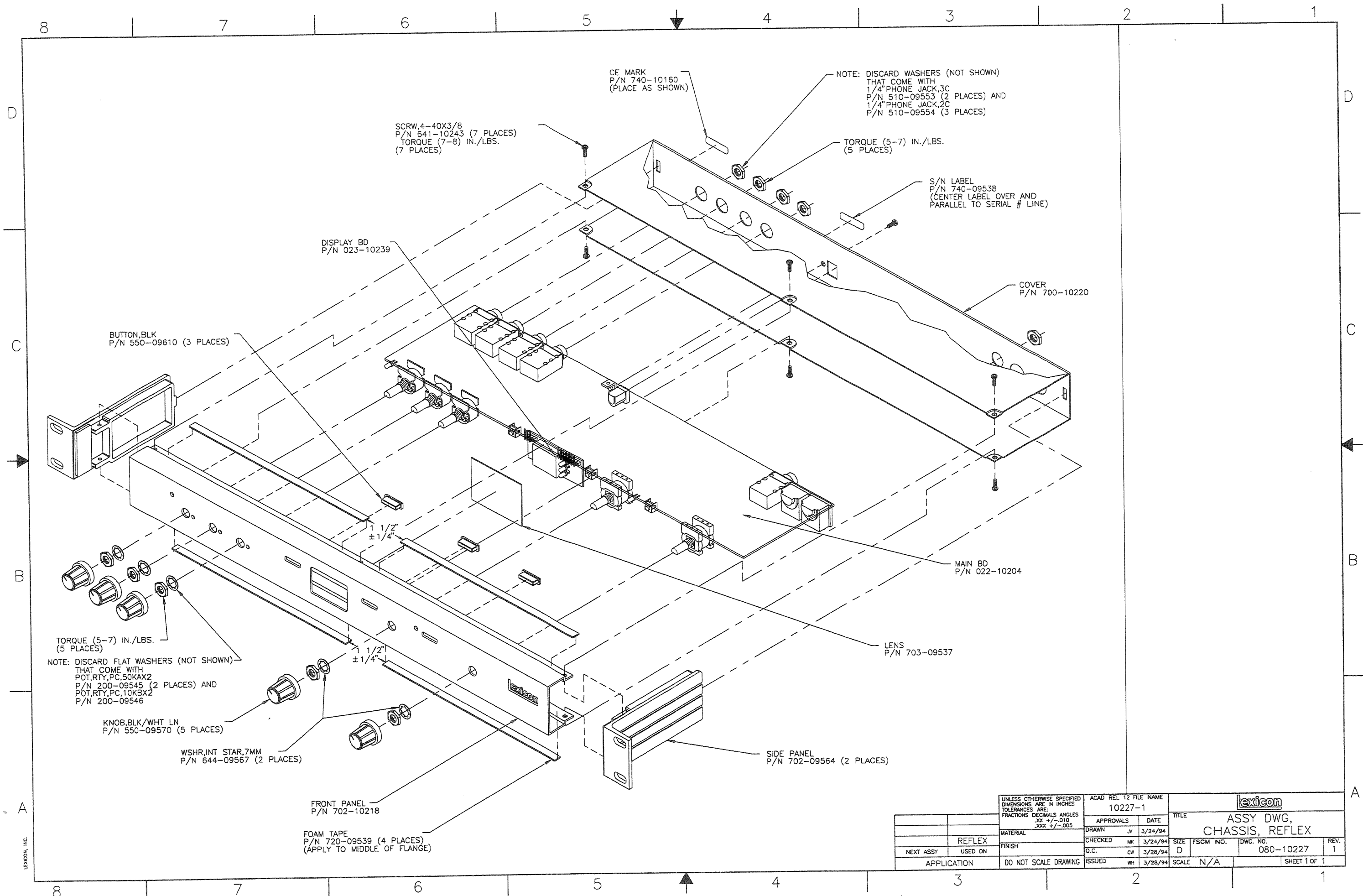
**Reflex**  
**Main Board**  
 ANALOG AND CONVERTER  
 SHEET 1 OF 5 | 11/22/94 REV 2  
 lexicon 100 BEAVER STREET  
 WALTHAM, MA 02154



**Reflex**  
**Display Board**

SHEET 1 of 1	11/22/94	REV 0
--------------	----------	-------

**exicon** 100 BEAVER STREET  
WALTHAM, MA 02154



SCRW, 4-40X3/8  
P/N 641-10243 (7 PLACES)  
TORQUE (7-8) IN./LBS.  
(7 PLACES)

CE MARK  
P/N 740-10160  
(PLACE AS SHOWN)

NOTE: DISCARD WASHERS (NOT SHOWN)  
THAT COME WITH  
1/4" PHONE JACK, 3C  
P/N 510-09553 (2 PLACES) AND  
1/4" PHONE JACK, 2C  
P/N 510-09554 (3 PLACES)

TORQUE (5-7) IN./LBS.  
(5 PLACES)

S/N LABEL  
P/N 740-09538  
(CENTER LABEL OVER AND  
PARALLEL TO SERIAL # LINE)

DISPLAY BD  
P/N 023-10239

COVER  
P/N 700-10220

BUTTON, BLK  
P/N 550-09610 (3 PLACES)

MAIN BD  
P/N 022-10204

TORQUE (5-7) IN./LBS.  
(5 PLACES)

NOTE: DISCARD FLAT WASHERS (NOT SHOWN)  
THAT COME WITH  
POT, RTY, PC, 50KAX2  
P/N 200-09545 (2 PLACES) AND  
POT, RTY, PC, 10KBX2  
P/N 200-09546

KNOB, BLK/WHT LN  
P/N 550-09570 (5 PLACES)

WSHR, INT STAR, 7MM  
P/N 644-09567 (2 PLACES)

LENS  
P/N 703-09537

SIDE PANEL  
P/N 702-09564 (2 PLACES)

FRONT PANEL  
P/N 702-10218

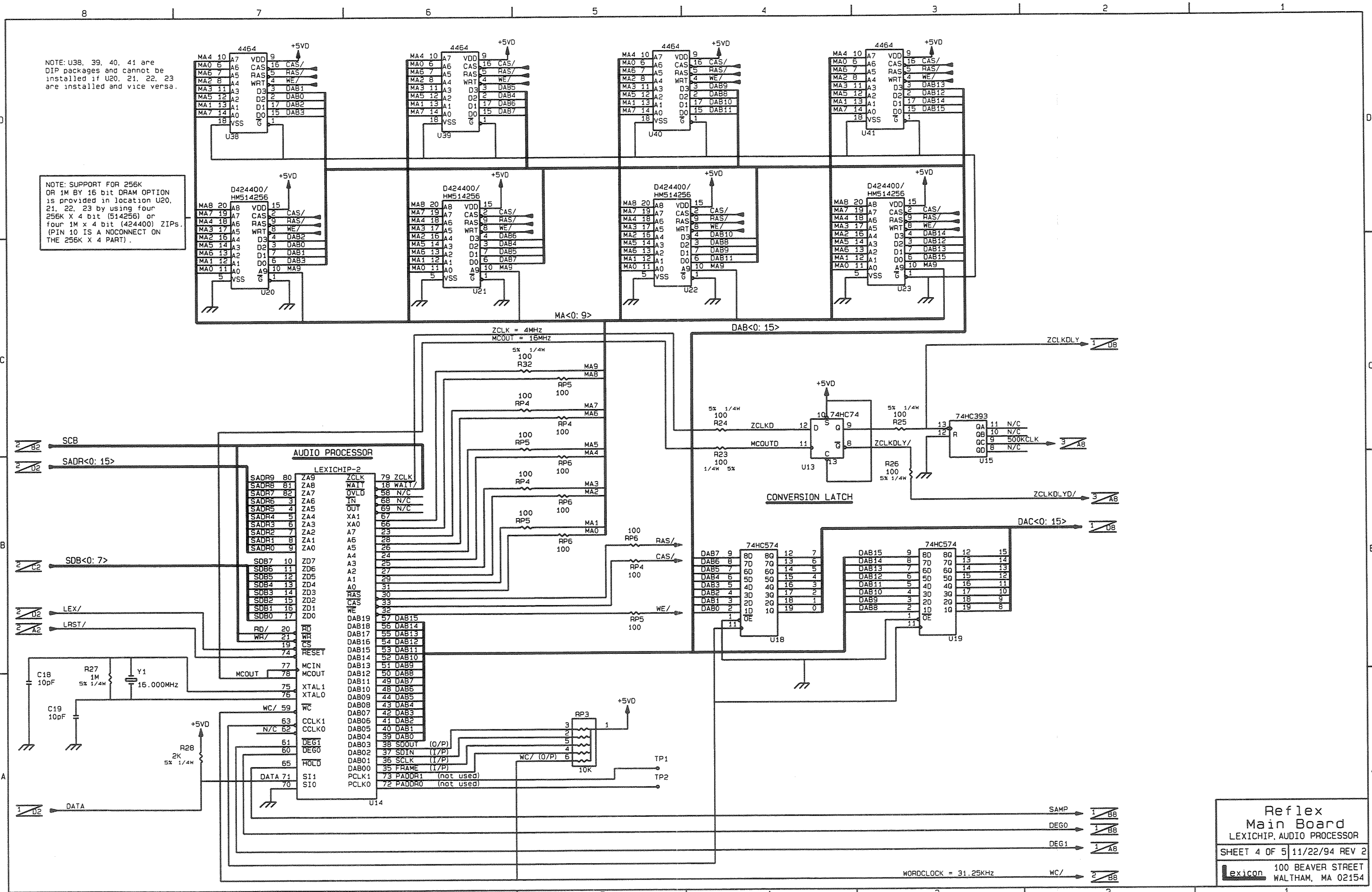
FOAM TAPE  
P/N 720-09539 (4 PLACES)  
(APPLY TO MIDDLE OF FLANGE)

LEXICON, INC.

UNLESS OTHERWISE SPECIFIED DIMENSIONS ARE IN INCHES TOLERANCES ARE: FRACTIONS DECIMALS ANGLES .XX +/- .010 .XXX +/- .005		ACAD REL T2 FILE NAME 10227-1	lexicon	
APPROVALS		DATE	TITLE	
DRAWN JV		3/24/94	ASSY DWG, CHASSIS, REFLEX	
CHECKED MK		3/24/94	SIZE	FSCM NO.
G.C. CW		3/28/94	D	DWG. NO. 080-10227
ISSUED WH		3/28/94	SCALE	N/A
APPLICATION	DO NOT SCALE DRAWING			SHEET 1 OF 1
NEXT ASSY	USED ON			REV. 1

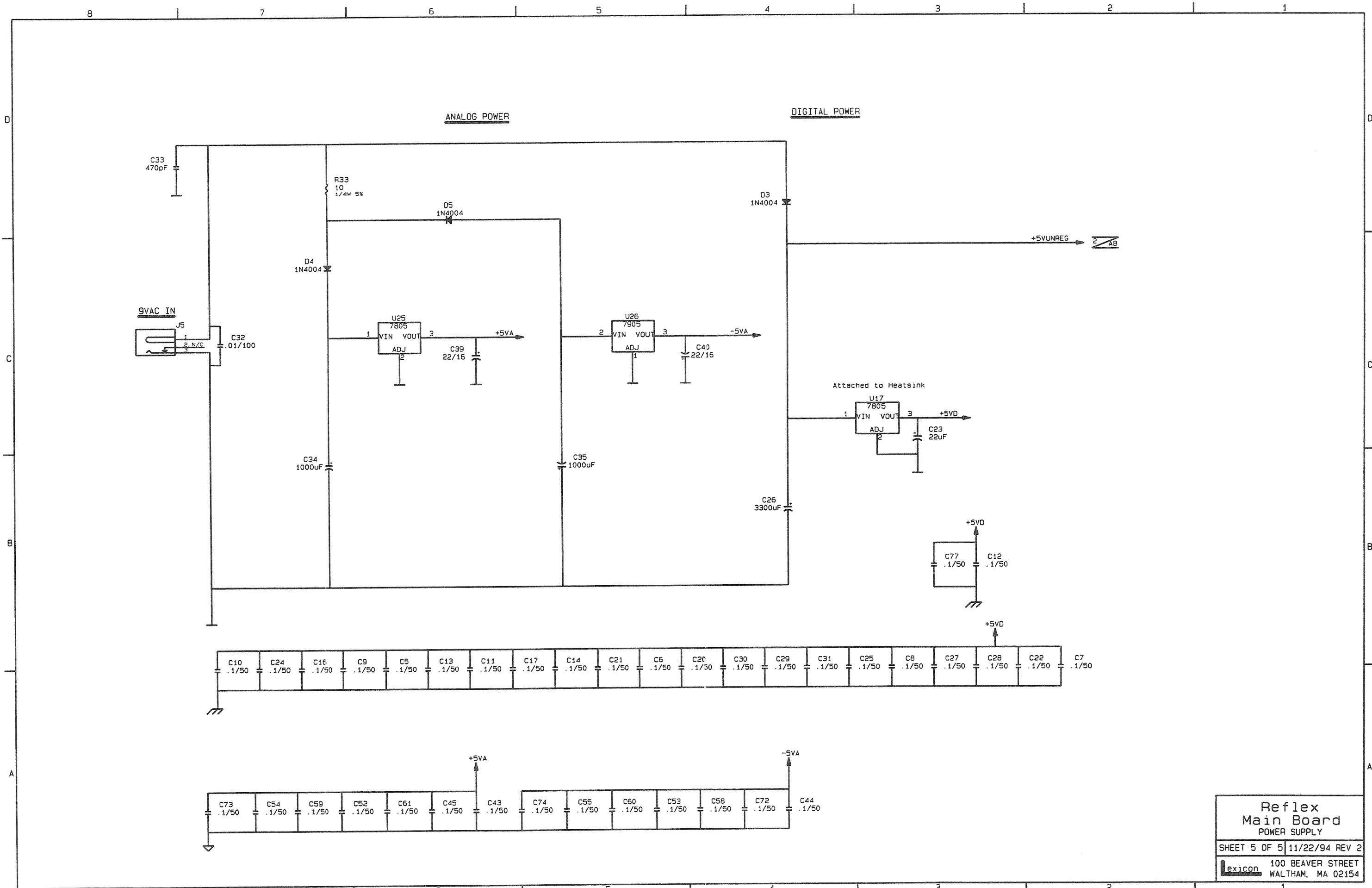
NOTE: U38, 39, 40, 41 are DIP packages and cannot be installed if U20, 21, 22, 23 are installed and vice versa.

NOTE: SUPPORT FOR 256K OR 1M BY 16 bit DRAM OPTION is provided in location U20, 21, 22, 23 by using four 256K X 4 bit (514256) or four 1M X 4 bit (424400) ZIPS. (PIN 10 IS A NOCONNECT ON THE 256K X 4 PART).

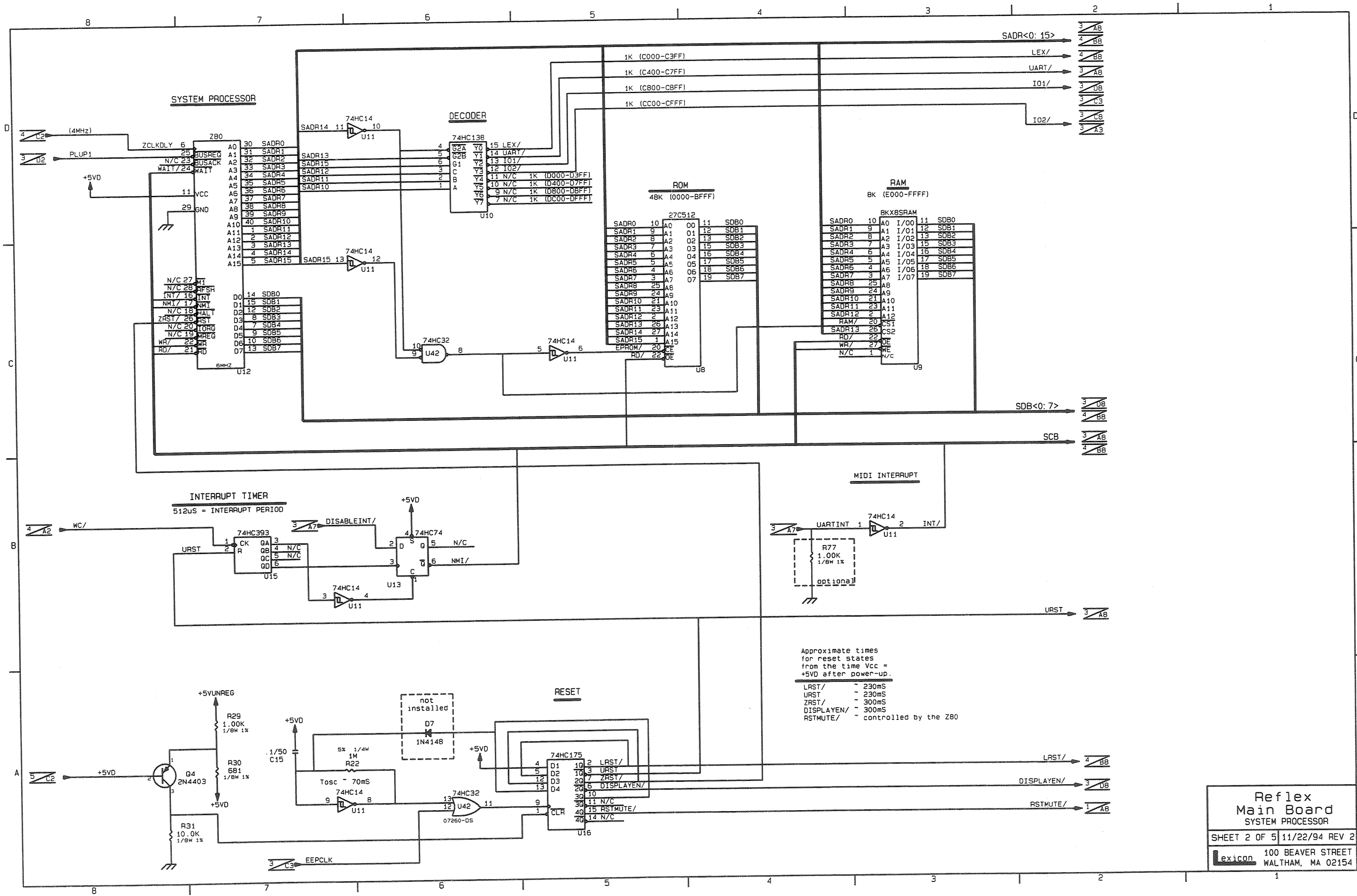


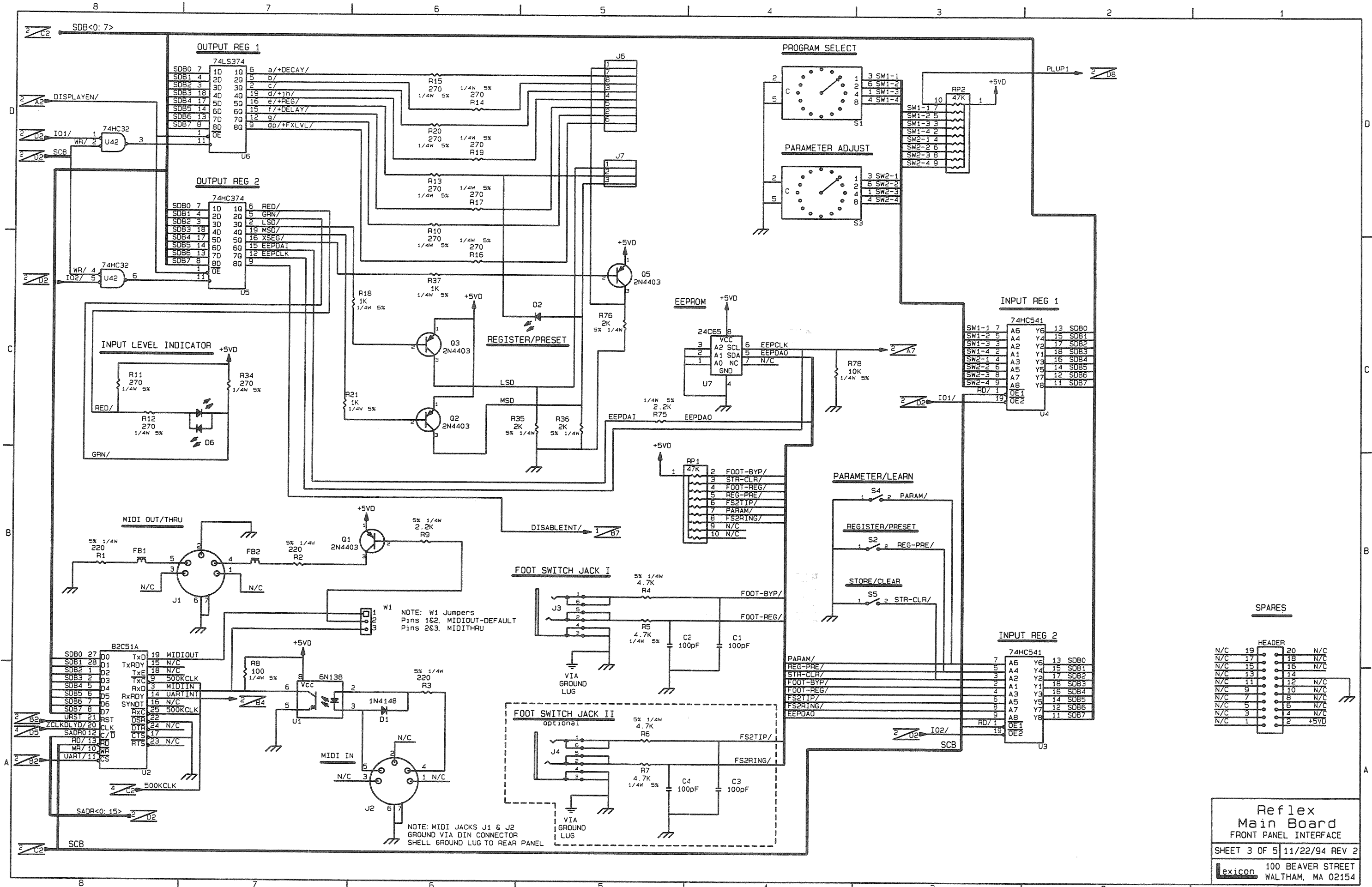
Reflex  
Main Board  
LEXICHIP, AUDIO PROCESSOR  
SHEET 4 OF 5 | 11/22/94 REV 2  
Lexicon 100 BEAVER STREET  
WALTHAM, MA 02154

WORDCLOCK = 31.25KHz



Reflex  
 Main Board  
 POWER SUPPLY  
 SHEET 5 OF 5 | 11/22/94 REV 2  
 Lexicon 100 BEAVER STREET  
 WALTHAM, MA 02154





NOTE: W1 Jumpers  
 Pins 162, MIDIOUT-DEFAULT  
 Pins 263, MIDITHRU

NOTE: MIDI JACKS J1 & J2  
 GROUND VIA DIN CONNECTOR  
 SHELL GROUND LUG TO REAR PANEL

**Reflex  
 Main Board  
 FRONT PANEL INTERFACE**

SHEET 3 OF 5 | 11/22/94 REV 2

lexicon 100 BEAVER STREET  
 WALTHAM, MA 02154