
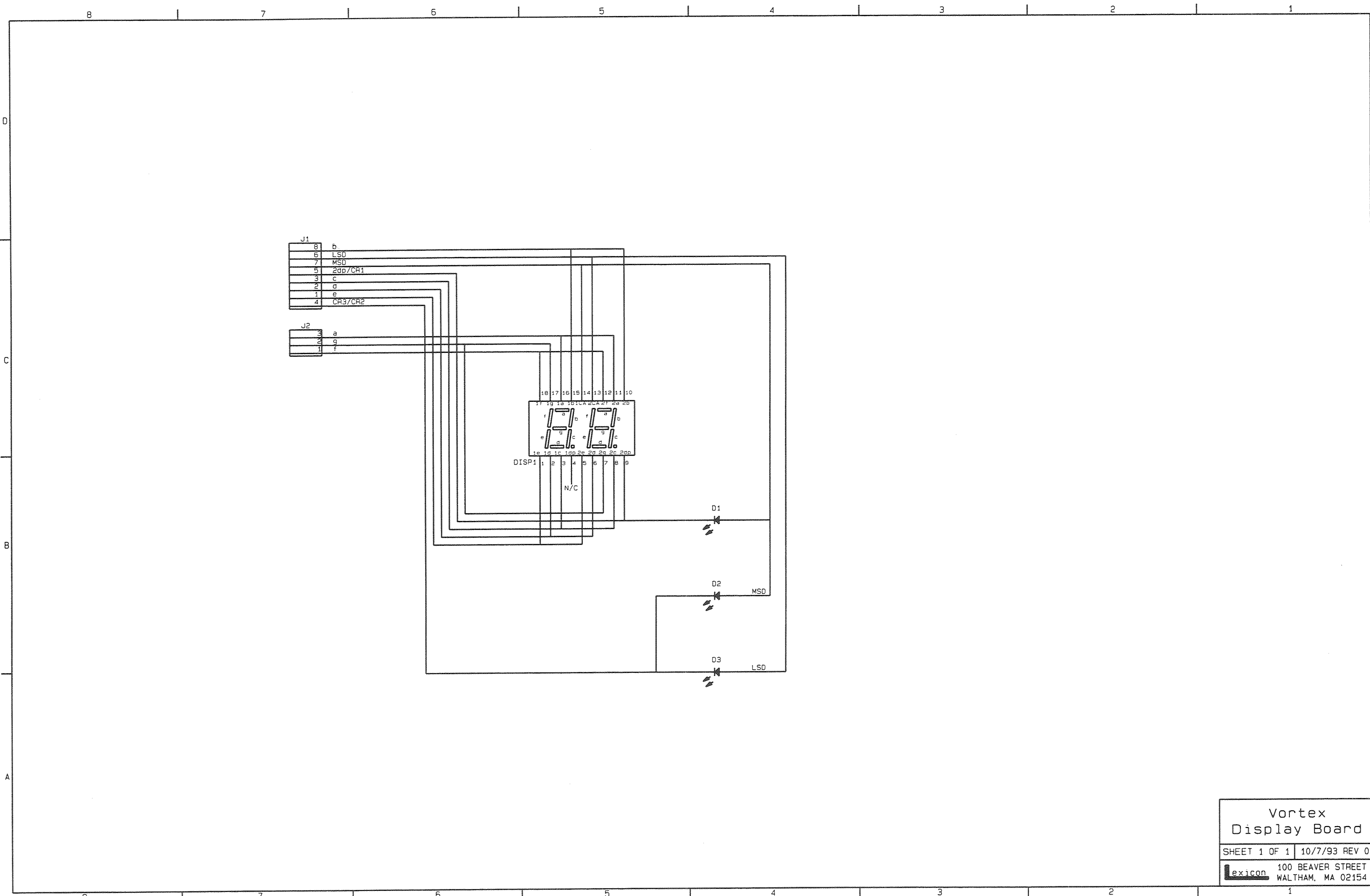


© LEXICON, INC. 1993
MADE IN USA
710-09910 REV

Vortex Main Board COMPONENT PLACEMENT	
SHEET 1 OF 1	8/30/93 REV 1
 100 BEAVER STREET WALTHAM, MA 02154	

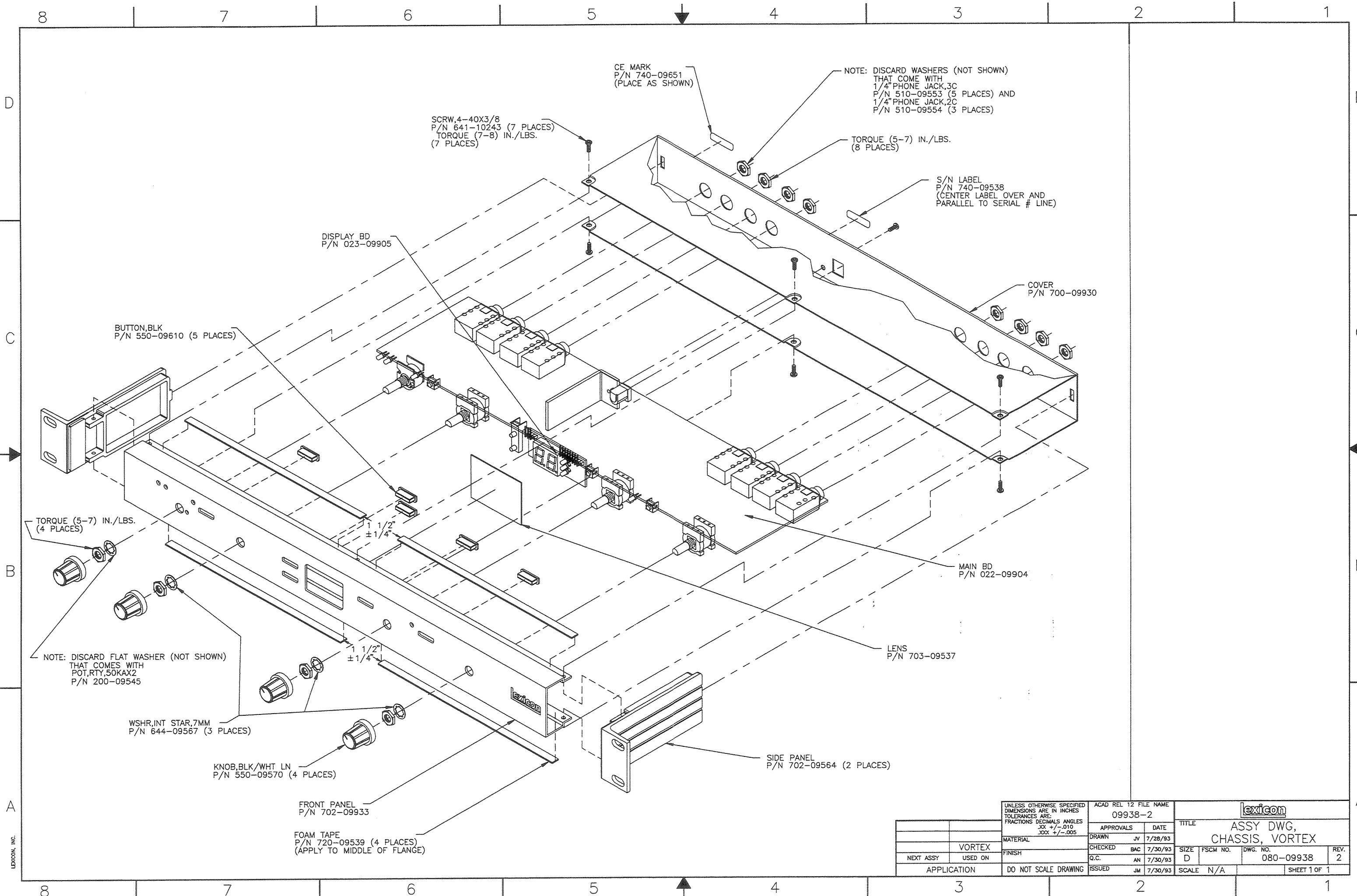




Vortex
Display Board

SHEET 1 OF 1	10/7/93 REV 0
lexicon 100 BEAVER STREET WALTHAM, MA 02154	

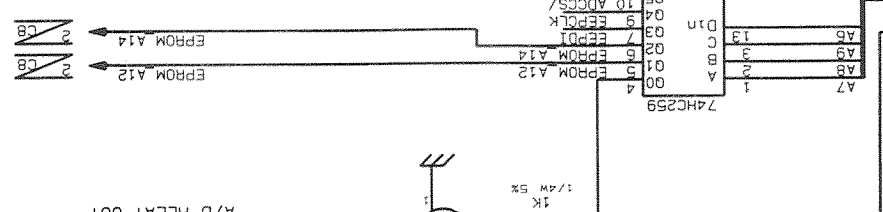
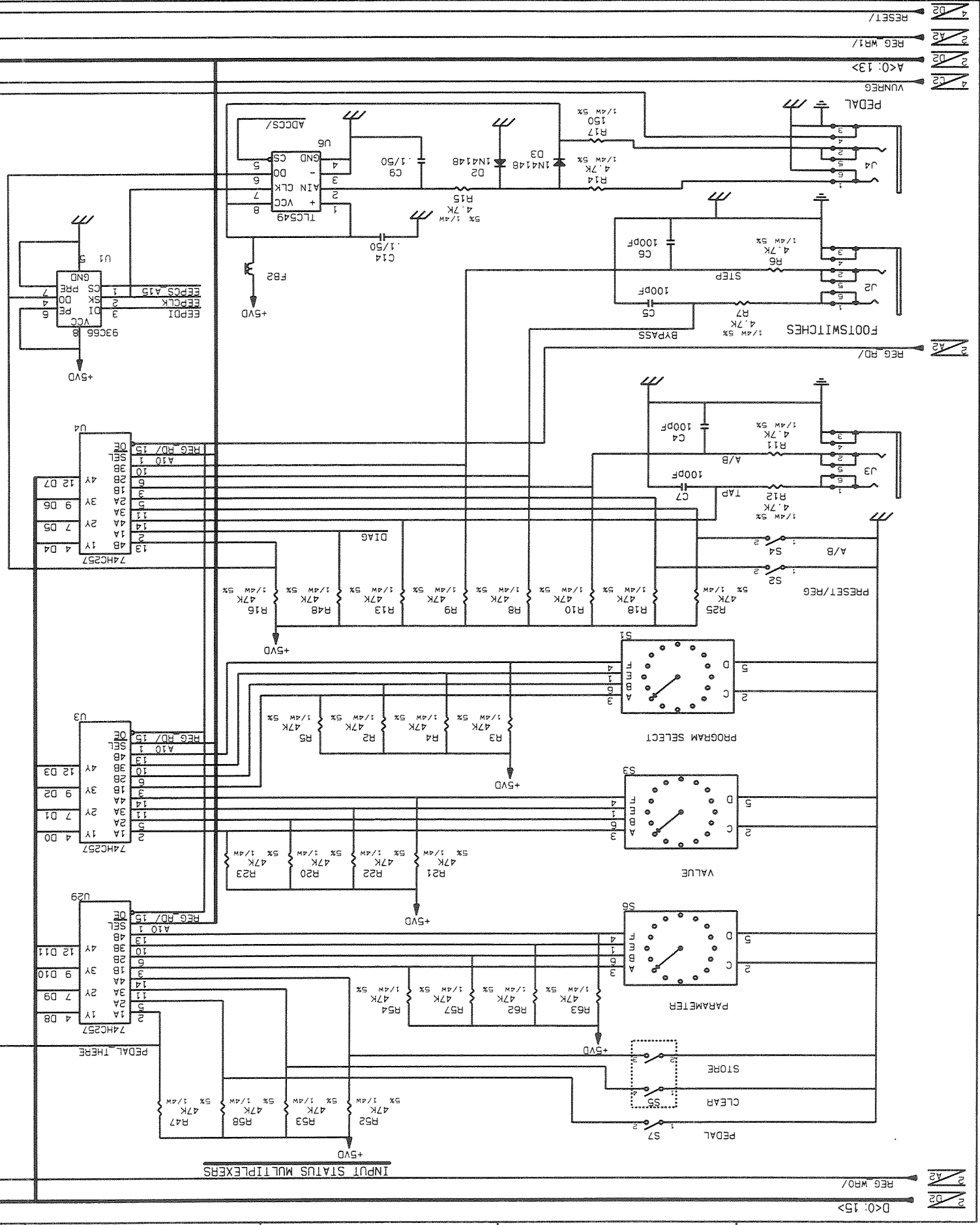
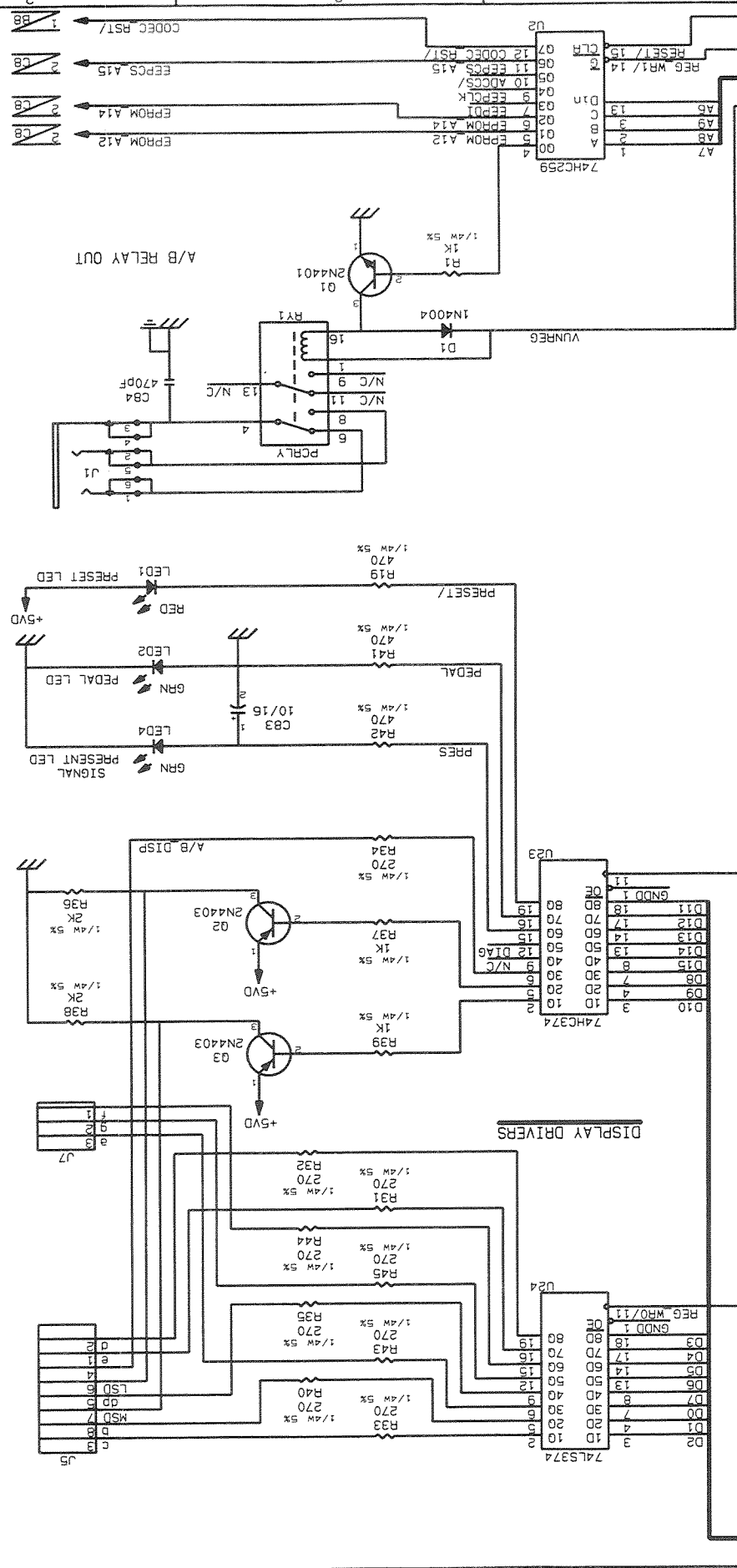


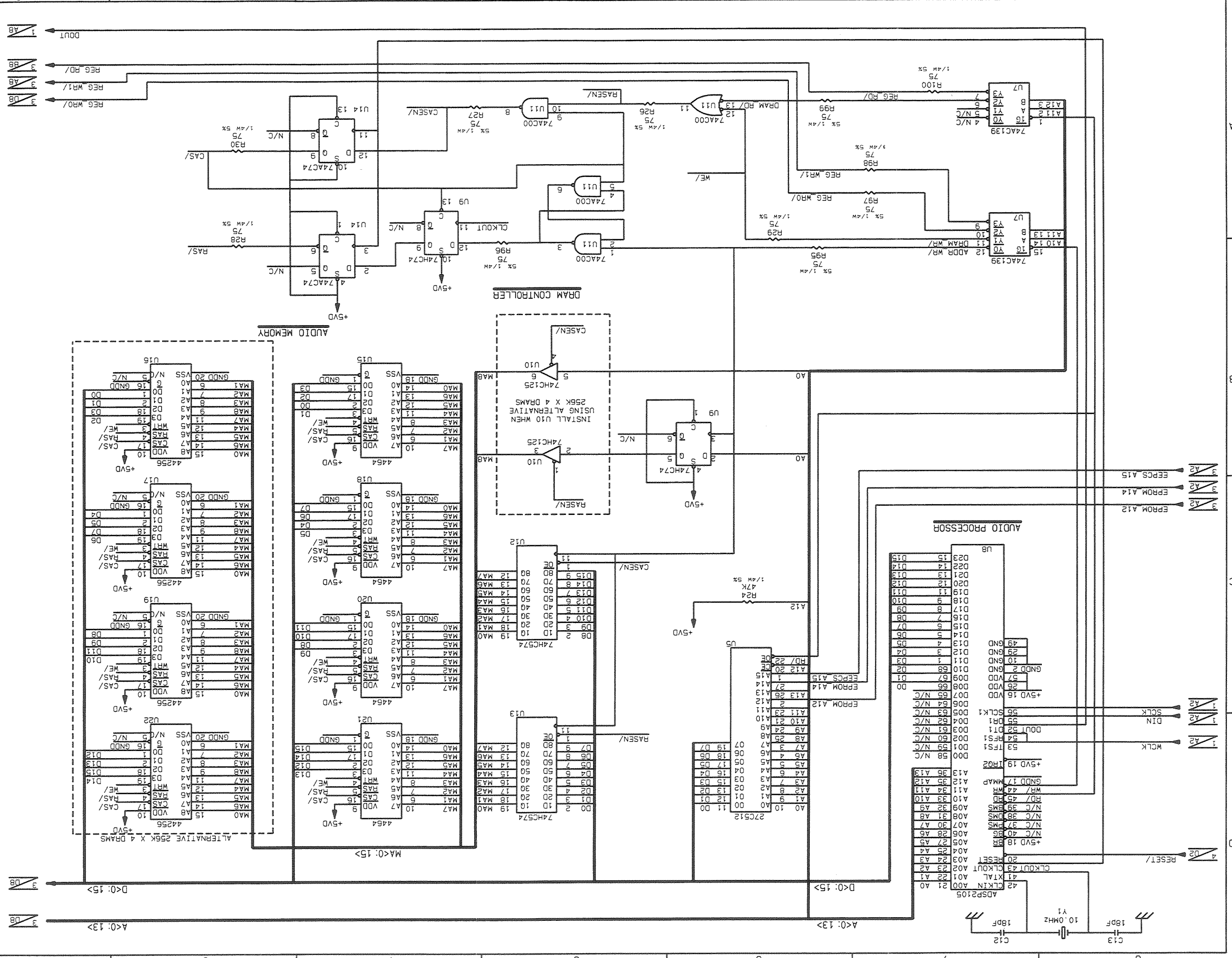


LEXICON, INC.

UNLESS OTHERWISE SPECIFIED DIMENSIONS ARE IN INCHES TOLERANCES ARE: FRACTIONS DECIMALS ANGLES XXX +/- .010 XXX +/- .005		ACAD REL 12 FILE NAME 09938-2		lexicon	
APPROVALS		DATE		TITLE	
DRAWN JV		7/28/93		ASSY DWG, CHASSIS, VORTEX	
CHECKED BAC		7/30/93		SIZE	FSCM NO.
G.C. AN		7/30/93		D	DWG. NO.
ISSUED JM		7/30/93		SCALE	N/A
APPLICATION		DO NOT SCALE DRAWING		SHEET 1 OF 1	
REV. 2	080-09938				



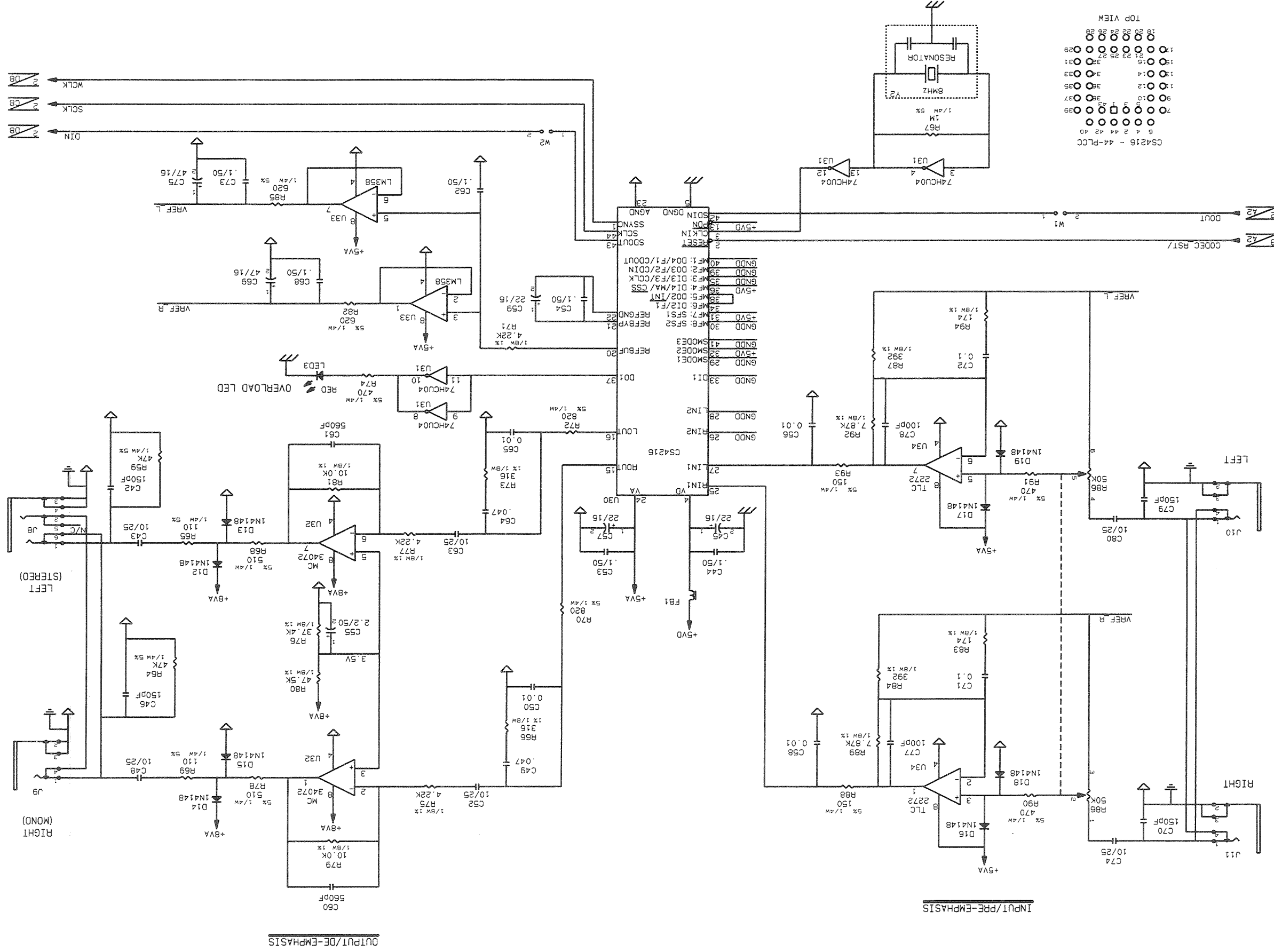




1
2
3
4
5
6
7
8

A
B
C
D

1
2
3
4
5
6
7
8



A
B
C
D

A
B
C
D