

ECOs INCLUDED ON THIS SCHEMATIC/PCB REVISION		
ECO NO:	DATE:	DESCRIPTION:
023409	12/20/02	RELEASED REV.E SCH & PCB (fixed missing via in rev.D)

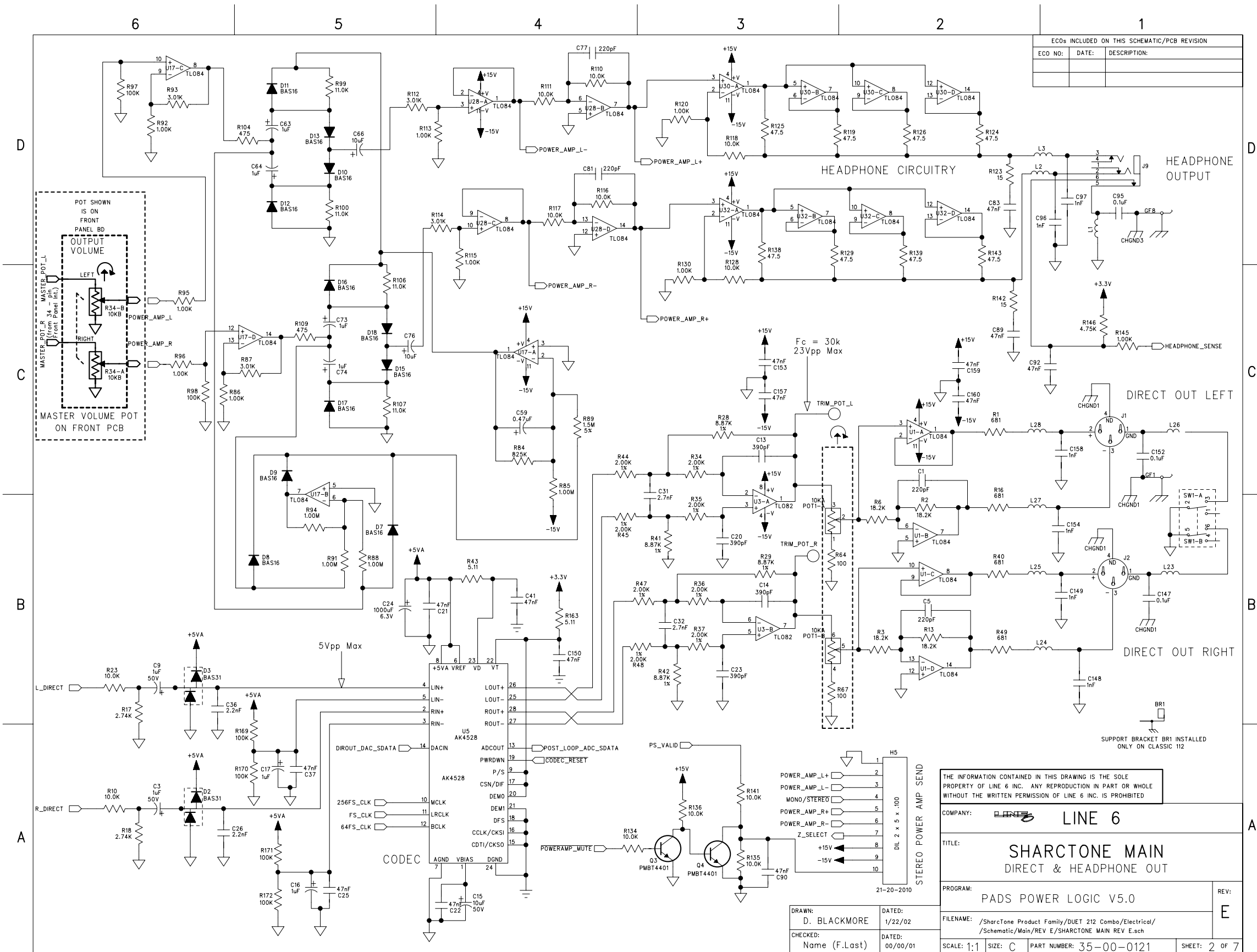
FX LOOP CONFIG. (DSP Control Signals)	FX_ON	FX_OFF	PARALLEL
FX_LOOP_PARALLEL	LOW	HIGH	HIGH
FX_LOOP_OFF	LOW	HIGH	LOW

THE INFORMATION CONTAINED IN THIS DRAWING IS THE SOLE PROPERTY OF LINE 6 INC. ANY REPRODUCTION IN PART OR WHOLE WITHOUT THE WRITTEN PERMISSION OF LINE 6 INC. IS PROHIBITED

COMPANY:	LINE 6
TITLE:	SHARCTONE MAIN ANALOG IN & FX LOOP
PROGRAM:	PADS POWER LOGIC V5.0
FILENAME:	/Sharctone Product Family/DET 212 Combo/Electrical/ /Schematic/Main/REV E/SHARCTONE MAIN REV E.sch
SCALE: 1:1	SIZE: C
PART NUMBER: 35-00-0121	SHEET: 1 OF 7

DRAWN:	DATED:
DBLACKMORE	1/22/02
CHECKED:	DATED:
Name (F.Last)	00/00/01

REV: E



ECOs INCLUDED ON THIS SCHEMATIC/PCB REVISION		
ECO NO:	DATE:	DESCRIPTION:

THE INFORMATION CONTAINED IN THIS DRAWING IS THE SOLE PROPERTY OF LINE 6 INC. ANY REPRODUCTION IN PART OR WHOLE WITHOUT THE WRITTEN PERMISSION OF LINE 6 INC. IS PROHIBITED

COMPANY: **LINE 6**

TITLE: **SHARCTONE MAIN DIRECT & HEADPHONE OUT**

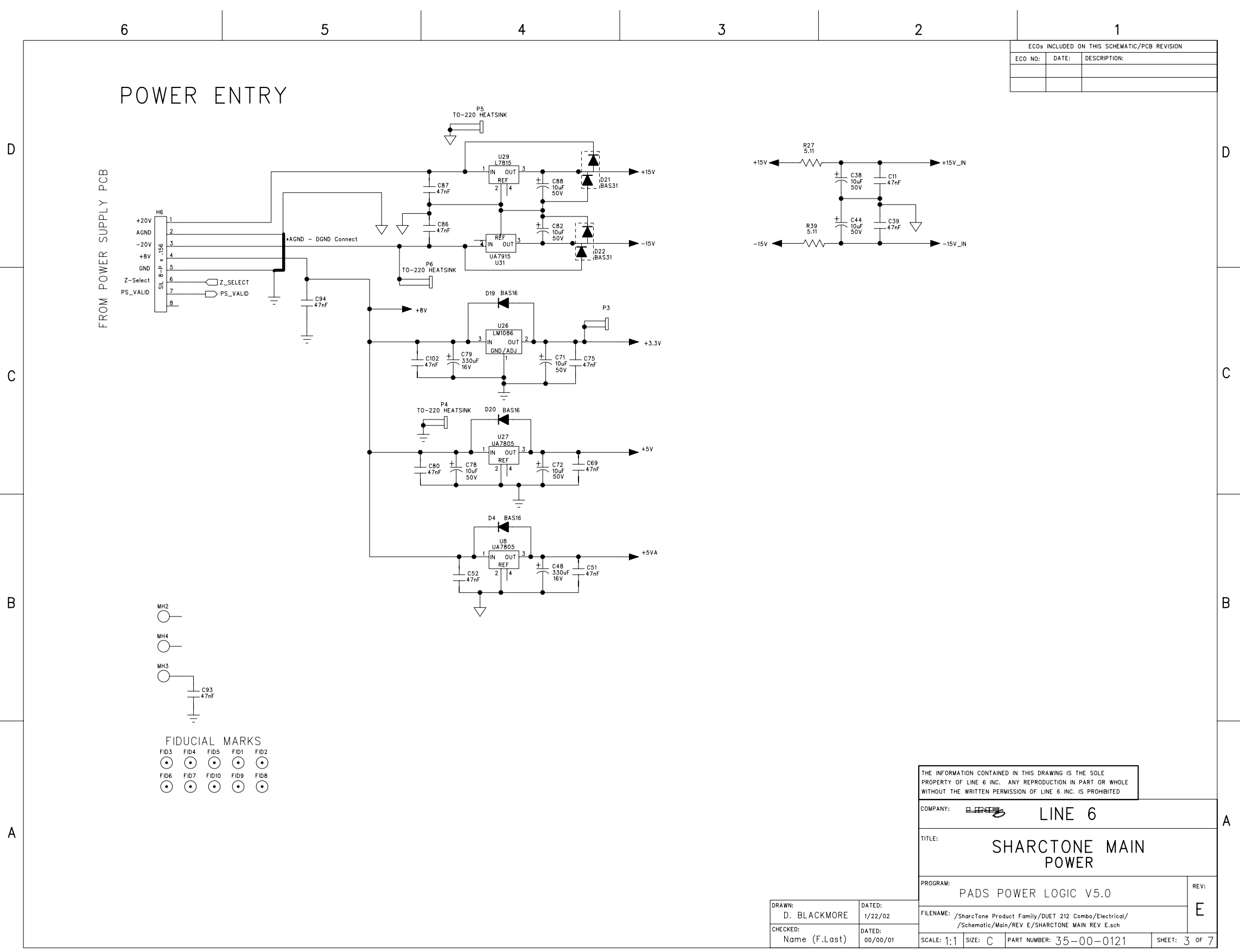
PROGRAM: **PADS POWER LOGIC V5.0**

FILENAME: /Sharctone Product Family/DUET 212 Combs/Electrical/Schematic/Main/REV E/SHARCTONE MAIN REV E.sch

SCALE: 1:1 SIZE: C PART NUMBER: 35-00-0121 SHEET: 2 OF 7

DRAWN: D. BLACKMORE	DATED: 1/22/02
CHECKED: Name (F.Last)	DATED: 00/00/01

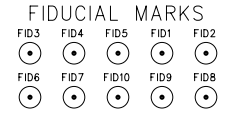
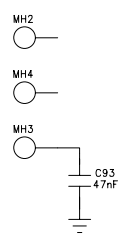
REV: E



ECOs INCLUDED ON THIS SCHEMATIC/PCB REVISION		
ECO NO:	DATE:	DESCRIPTION:

POWER ENTRY

FROM POWER SUPPLY PCB



THE INFORMATION CONTAINED IN THIS DRAWING IS THE SOLE PROPERTY OF LINE 6 INC. ANY REPRODUCTION IN PART OR WHOLE WITHOUT THE WRITTEN PERMISSION OF LINE 6 INC. IS PROHIBITED

COMPANY: LINE 6

TITLE: SHARCTONE MAIN POWER

PROGRAM: PADS POWER LOGIC V5.0

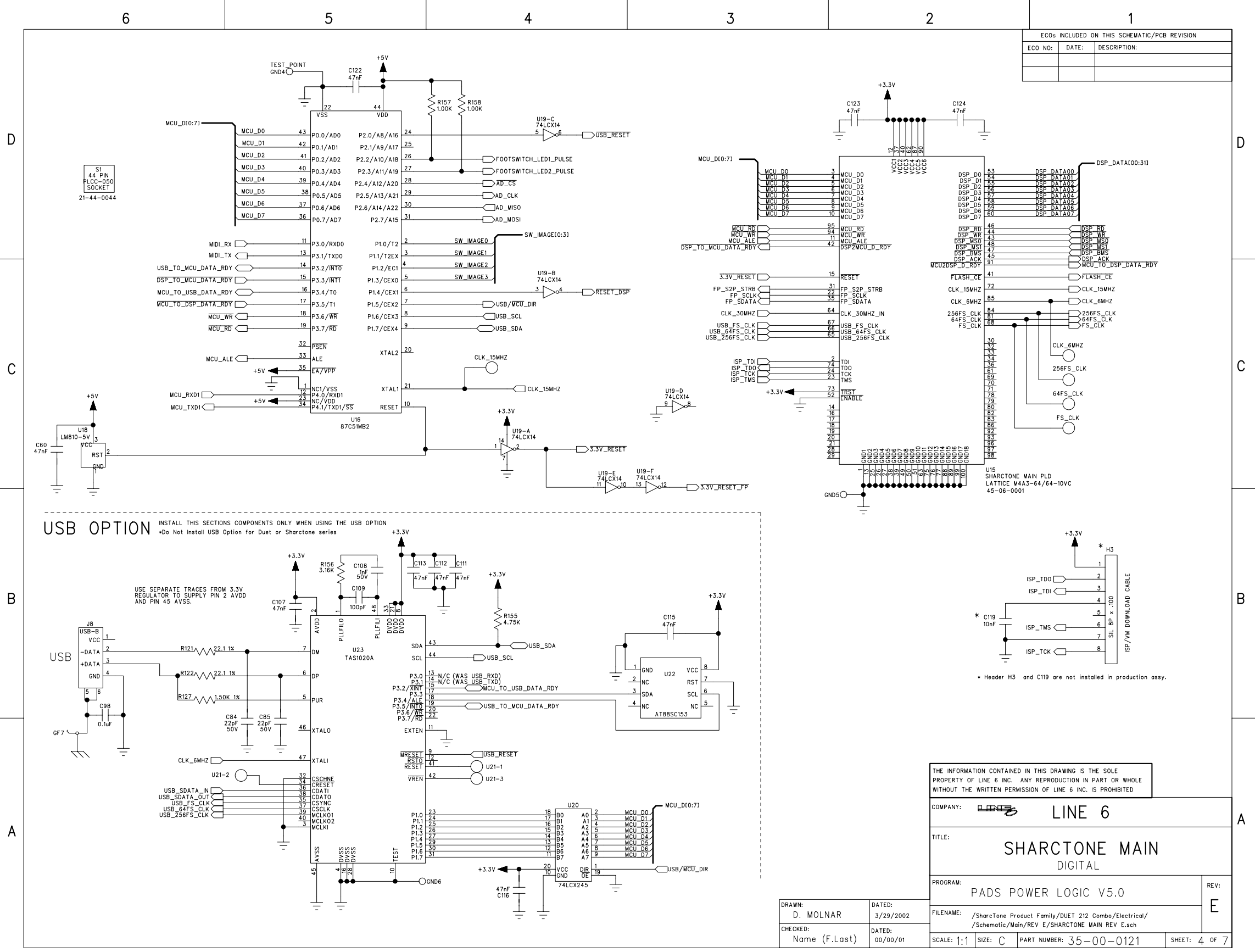
FILENAME: /Sharctone Product Family/DUET 212 Combo/Electrical/Schematic/Main/REV E/SHARCTONE MAIN REV E.sch

DRAWN: D. BLACKMORE
CHECKED: Name (F.Last)

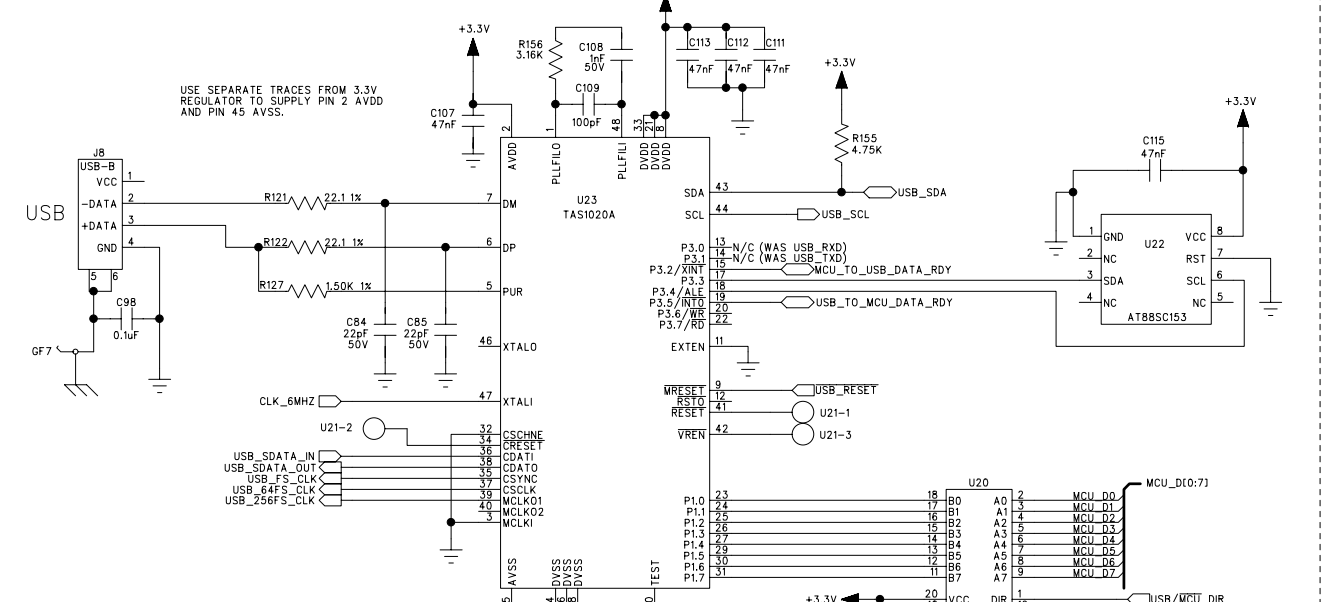
DATED: 1/22/02
DATED: 00/00/01

SCALE: 1:1 SIZE: C PART NUMBER: 35-00-0121 SHEET: 3 OF 7

REV: E

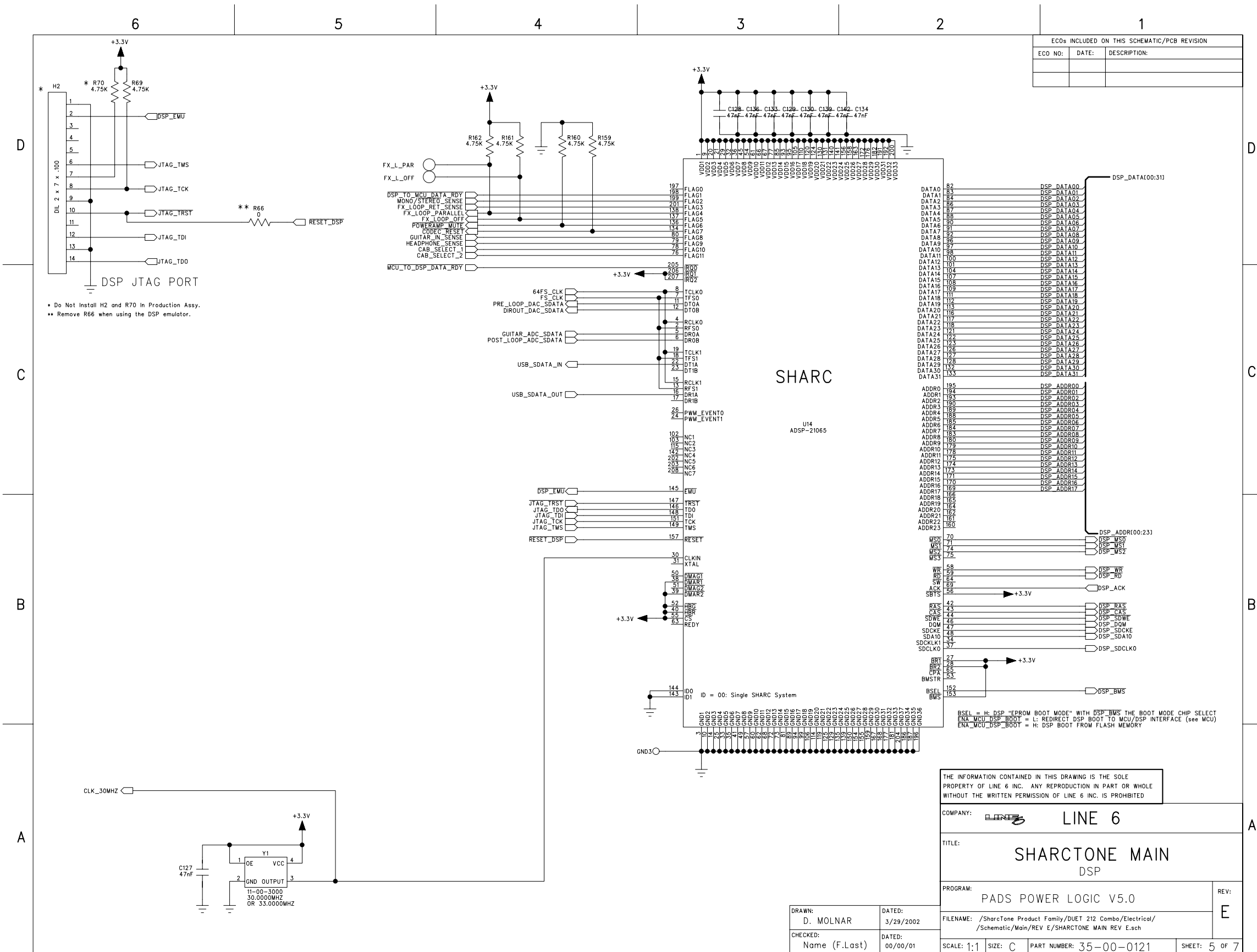


USB OPTION INSTALL THIS SECTIONS COMPONENTS ONLY WHEN USING THE USB OPTION
 *Do Not Install USB Option for Duet or Sharctone series



THE INFORMATION CONTAINED IN THIS DRAWING IS THE SOLE PROPERTY OF LINE 6 INC. ANY REPRODUCTION IN PART OR WHOLE WITHOUT THE WRITTEN PERMISSION OF LINE 6 INC. IS PROHIBITED

COMPANY:	LINE 6
TITLE:	SHARCTONE MAIN DIGITAL
PROGRAM:	PADS POWER LOGIC V5.0
FILENAME:	/Sharctone Product Family/DUET 212 Combo/Electrical/ /Schematic/Main/REV E/SHARCTONE MAIN REV E.sch
DRAWN:	D. MOLNAR
CHECKED:	Name (F.Last)
DATED:	3/29/2002
DATED:	00/00/01
SCALE:	1:1
SIZE:	C
PART NUMBER:	35-00-0121
REV:	E
SHEET:	4 OF 7



THE INFORMATION CONTAINED IN THIS DRAWING IS THE SOLE PROPERTY OF LINE 6 INC. ANY REPRODUCTION IN PART OR WHOLE WITHOUT THE WRITTEN PERMISSION OF LINE 6 INC. IS PROHIBITED

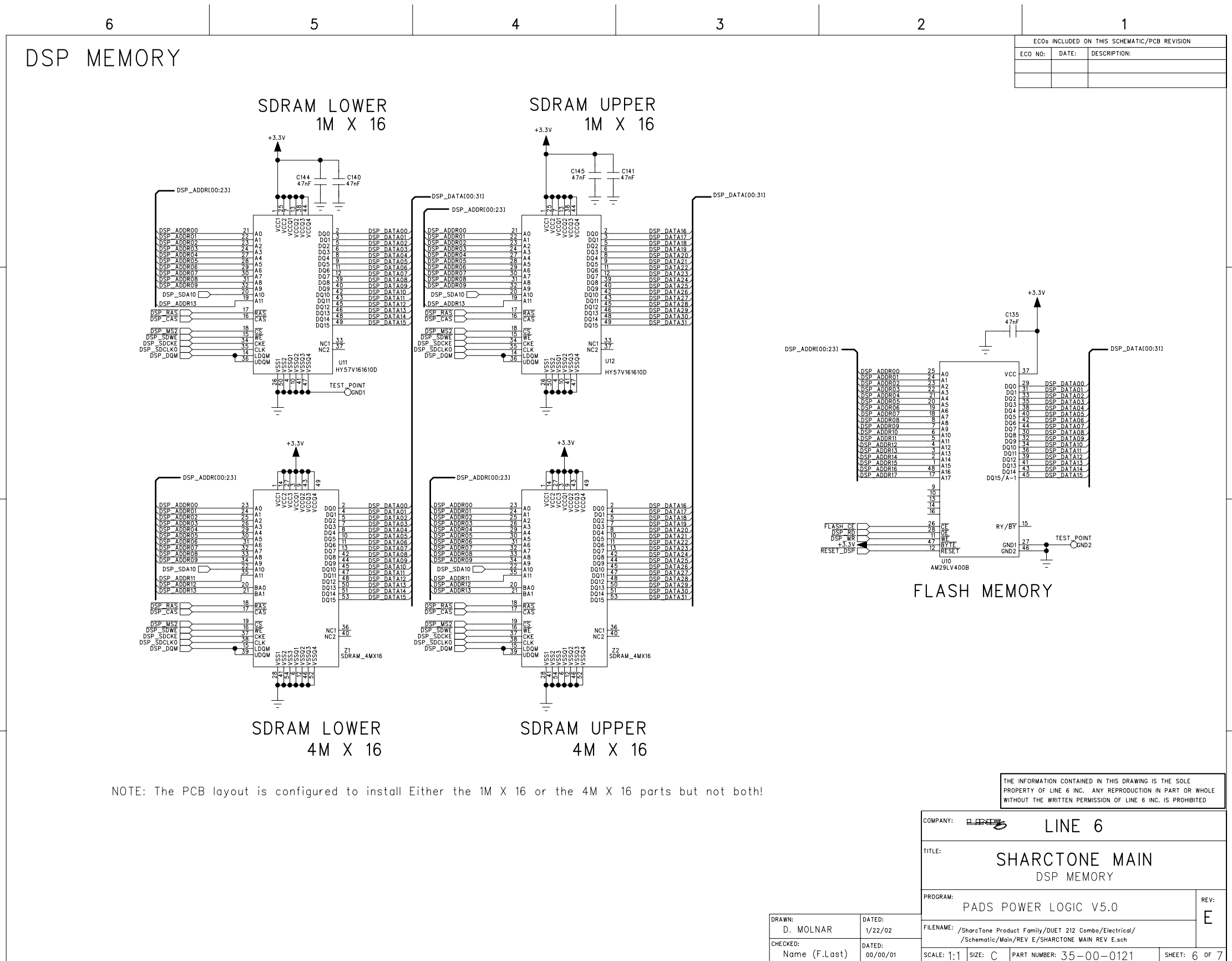
COMPANY: **LINE 6**

TITLE: **SHARCTONE MAIN DSP**

PROGRAM: **PADS POWER LOGIC V5.0** REV: **E**

DRAWN: **D. MOLNAR** DATED: **3/29/2002** FILENAME: **/Sharctone Product Family/DUET 212 Combo/Electrical/Schematic/Main/REV E/SHARCTONE MAIN REV E.sch**

CHECKED: **Name (F.Last)** DATED: **00/00/01** SCALE: **1:1** SIZE: **C** PART NUMBER: **35-00-0121** SHEET: **5 OF 7**



ECO's INCLUDED ON THIS SCHEMATIC/PCB REVISION		
ECO NO:	DATE:	DESCRIPTION:

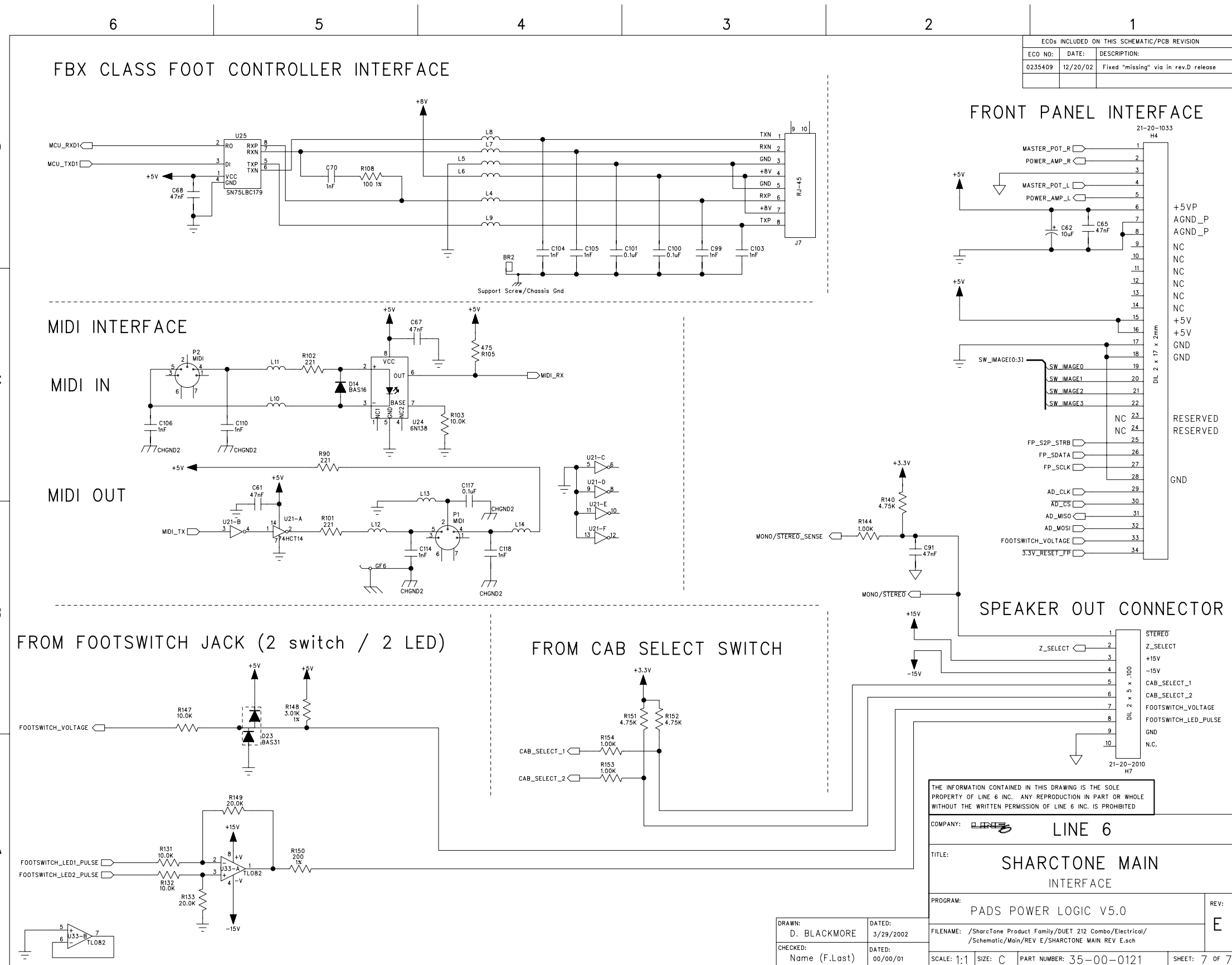
NOTE: The PCB layout is configured to install Either the 1M X 16 or the 4M X 16 parts but not both!

THE INFORMATION CONTAINED IN THIS DRAWING IS THE SOLE PROPERTY OF LINE 6 INC. ANY REPRODUCTION IN PART OR WHOLE WITHOUT THE WRITTEN PERMISSION OF LINE 6 INC. IS PROHIBITED

COMPANY:	LINE 6
TITLE:	SHARCTONE MAIN DSP MEMORY
PROGRAM:	PADS POWER LOGIC V5.0
FILENAME:	/Sharctone Product Family/DUET 212 Combo/Electrical/ /Schematic/Main/REV E/SHARCTONE MAIN REV E.sch
SCALE:	1:1
SIZE:	C
PART NUMBER:	35-00-0121
SHEET:	6 OF 7

DRAWN:	D. MOLNAR	DATED:	1/22/02
CHECKED:	Name (F.Last)	DATED:	00/00/01

REV: E



ECOs INCLUDED ON THIS SCHEMATIC/PCB REVISION		
ECO NO:	DATE:	DESCRIPTION:
0235409	12/20/02	Fixed "missing" via in rev.D release

THE INFORMATION CONTAINED IN THIS DRAWING IS THE SOLE PROPERTY OF LINE 6 INC. ANY REPRODUCTION IN PART OR WHOLE WITHOUT THE WRITTEN PERMISSION OF LINE 6 INC. IS PROHIBITED

COMPANY: **LINE 6**

TITLE: **SHARCTONE MAIN INTERFACE**

PROGRAM: **PADS POWER LOGIC V5.0**

FILENAME: /Sharctone Product Family/DUET 212 Combo/Electrical/Schematic/Main/REV E/SHARCTONE MAIN REV E.sch

DRAWN: **D. BLACKMORE**

DATED: **3/29/2002**

CHECKED: **Name (F.Last)**

DATED: **00/00/01**

SCALE: **1:1**

SIZE: **C**

PART NUMBER: **35-00-0121**

SHEET: **7 OF 7**

REV: **E**

6

5

4

3

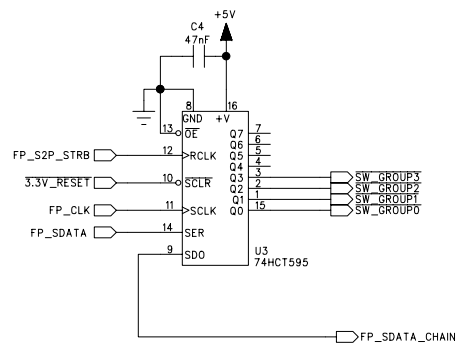
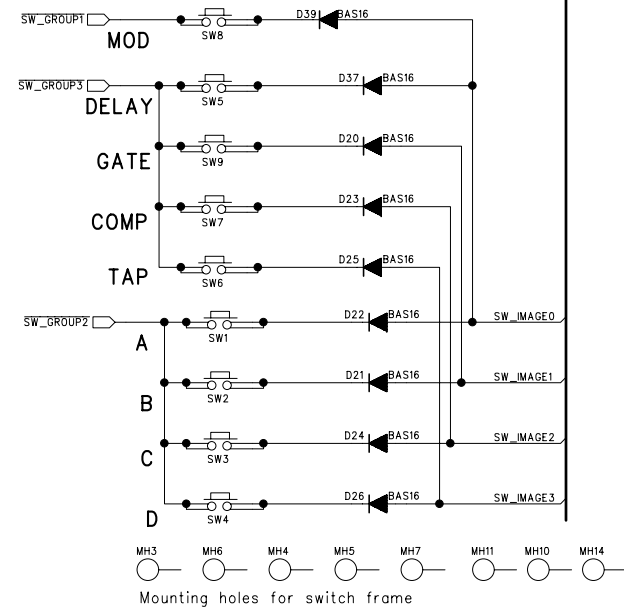
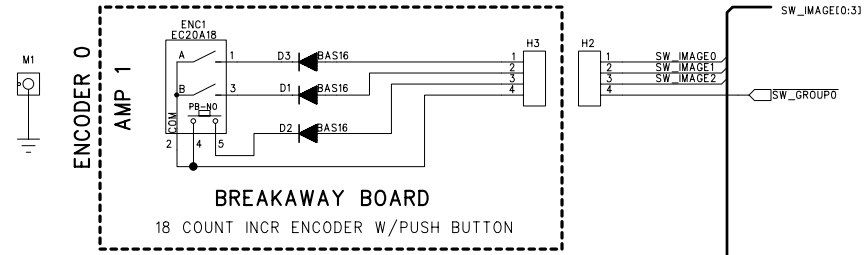
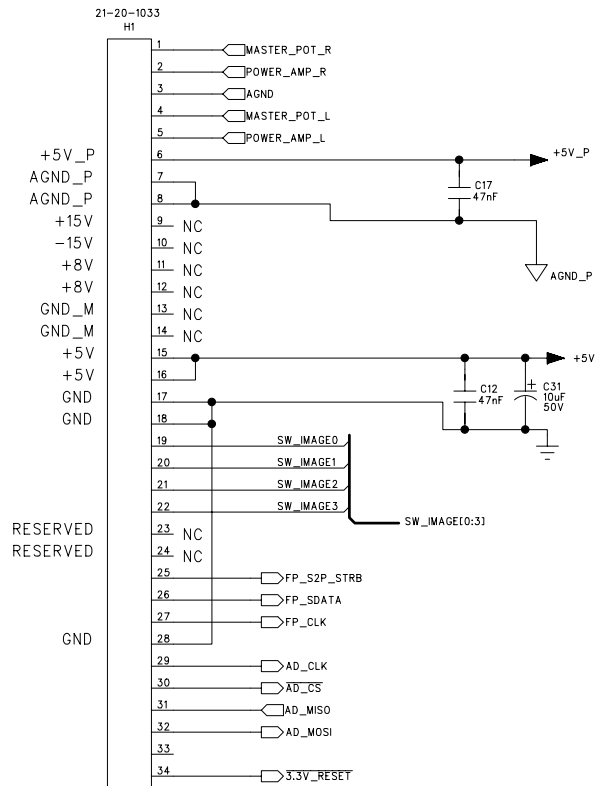
2

1

SWITCHES AND ENCODERS

ECOs INCLUDED ON THIS SCHEMATIC/PCB REVISION		
ECO NO:	DATE:	DESCRIPTION:
0303006	01.30.03	RELEASED REV B

INTERFACE TO MAIN PCB



THE INFORMATION CONTAINED IN THIS DRAWING IS THE SOLE PROPERTY OF LINE 6 INC. ANY REPRODUCTION IN PART OR WHOLE WITHOUT THE WRITTEN PERMISSION OF LINE 6 INC. IS PROHIBITED

COMPANY: LINE 6 INC

TITLE: FT3 FRONT PANEL
(Classic Series / Modern-HD)

PROGRAM: PADS POWER LOGIC V5.0

FILENAME: /Sharctone Product Family/Sharctone 212 Combo/Electrical/
/Schematic/Front Panel/REV A/FT3 Front Panel REV A.sch

DRAWN: RP/DB
DATED: 5/20/02
CHECKED: Name (F.Last)
DATED: 00/00/01

SCALE: 1:1 SIZE: C PART NUMBER: 35-00-0146 SHEET: 1 OF 3

B

A

6

5

4

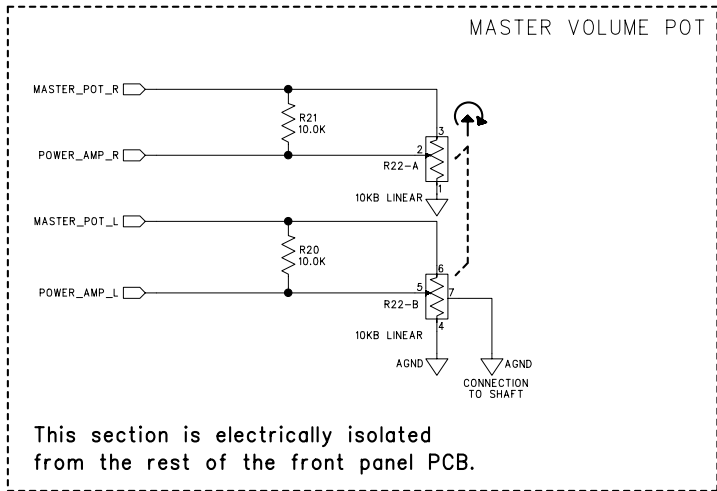
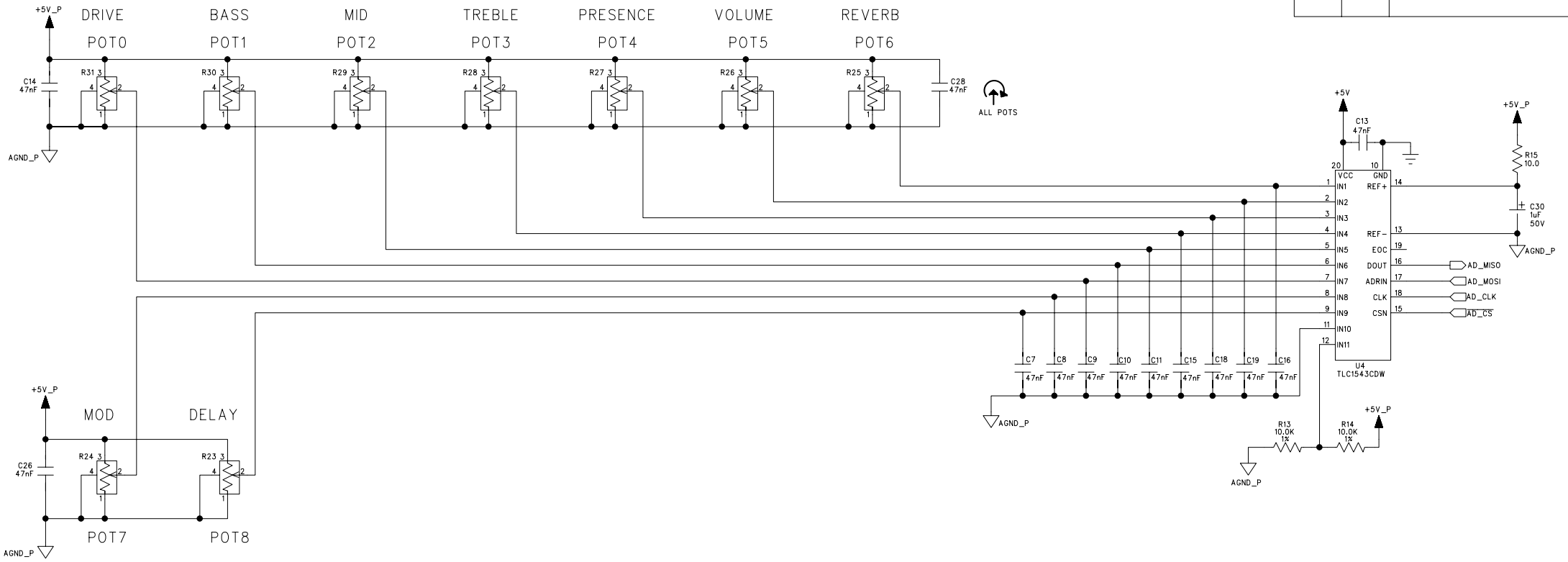
3

2

1

POTENTIOMETERS

ECOs INCLUDED ON THIS SCHEMATIC/PCB REVISION		
ECO NO:	DATE:	DESCRIPTION:



This section is electrically isolated from the rest of the front panel PCB.

THE INFORMATION CONTAINED IN THIS DRAWING IS THE SOLE PROPERTY OF LINE 6 INC. ANY REPRODUCTION IN PART OR WHOLE WITHOUT THE WRITTEN PERMISSION OF LINE 6 INC. IS PROHIBITED.

COMPANY:	LINE 6 INC
TITLE:	FT3 FRONT PANEL (Classic Series / Modern-HD)
PROGRAM:	PADS POWER LOGIC V5.0
FILENAME:	/Sharctone Product Family/Sharctone 212 Combo/Electrical/ /Schematic/Front Panel/REV A/FT3 Front Panel REV A.sch
SCALE: 1:1	SIZE: C
PART NUMBER: 35-00-0146	SHEET: 2 OF 3

DRAWN:	DATED:
RP/DB	5/20/02
CHECKED:	DATED:
Name (F.Last)	00/00/01

REV: B

6

5

4

3

2

1

FRONT PANEL LEDS

ENCODER LEDS

ECOs INCLUDED ON THIS SCHEMATIC/PCB REVISION		
ECO NO:	DATE:	DESCRIPTION:

D

D

C

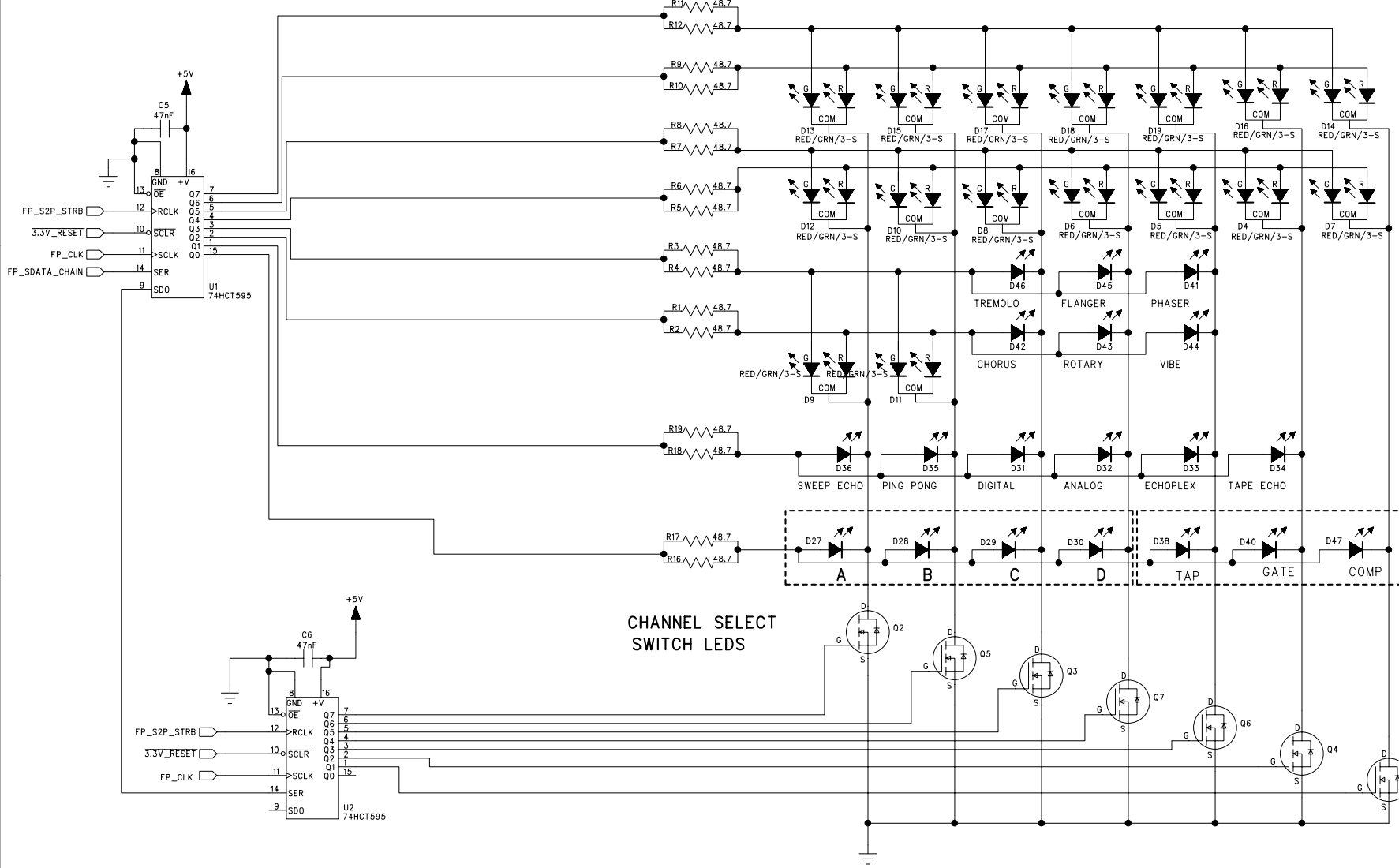
C

B

B

A

A

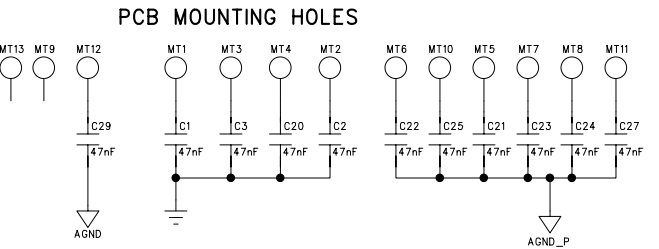
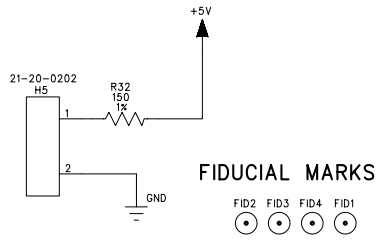
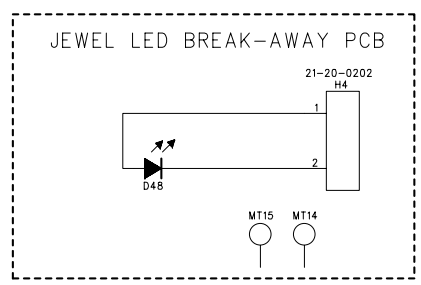
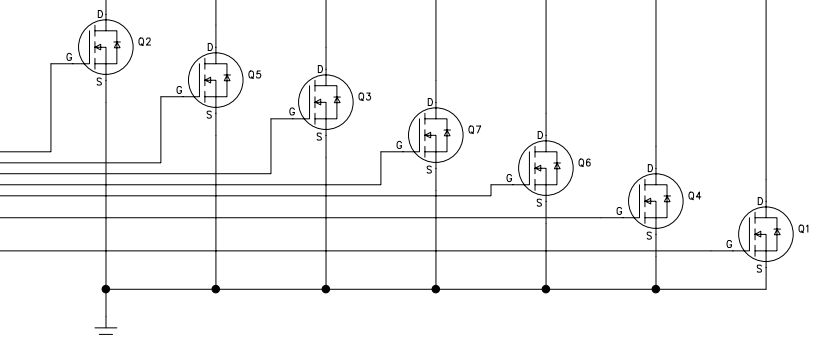


MH1
○
MH2
○
for 16 position light pipe

MH8
○
MH9
○
MH5
○
Mounting holes for 6 position light pipe

MH12
○
MH13
○
MH16
○
Mounting holes for 6 position light pipe

CHANNEL SELECT SWITCH LEDS



THE INFORMATION CONTAINED IN THIS DRAWING IS THE SOLE PROPERTY OF LINE 6 INC. ANY REPRODUCTION IN PART OR WHOLE WITHOUT THE WRITTEN PERMISSION OF LINE 6 INC. IS PROHIBITED

COMPANY:	LINE 6
TITLE:	FT3 FRONT PANEL (Classic Series / Modern-HD)
PROGRAM:	PADS POWER LOGIC V5.0
FILENAME:	/Sharctone Product Family/Sharctone 212 Combo/Electrical/ /Schematic/Front Panel/REV A/FT3 Front Panel REV A.sch
SCALE:	1:1
SIZE:	C
PART NUMBER:	35-00-0146
SHEET:	3 OF 3

DRAWN:	G. STOCK/DB	DATED:	5/20/02
CHECKED:	Name (F.Last)	DATED:	00/00/01

REV: B

6

5

4

3

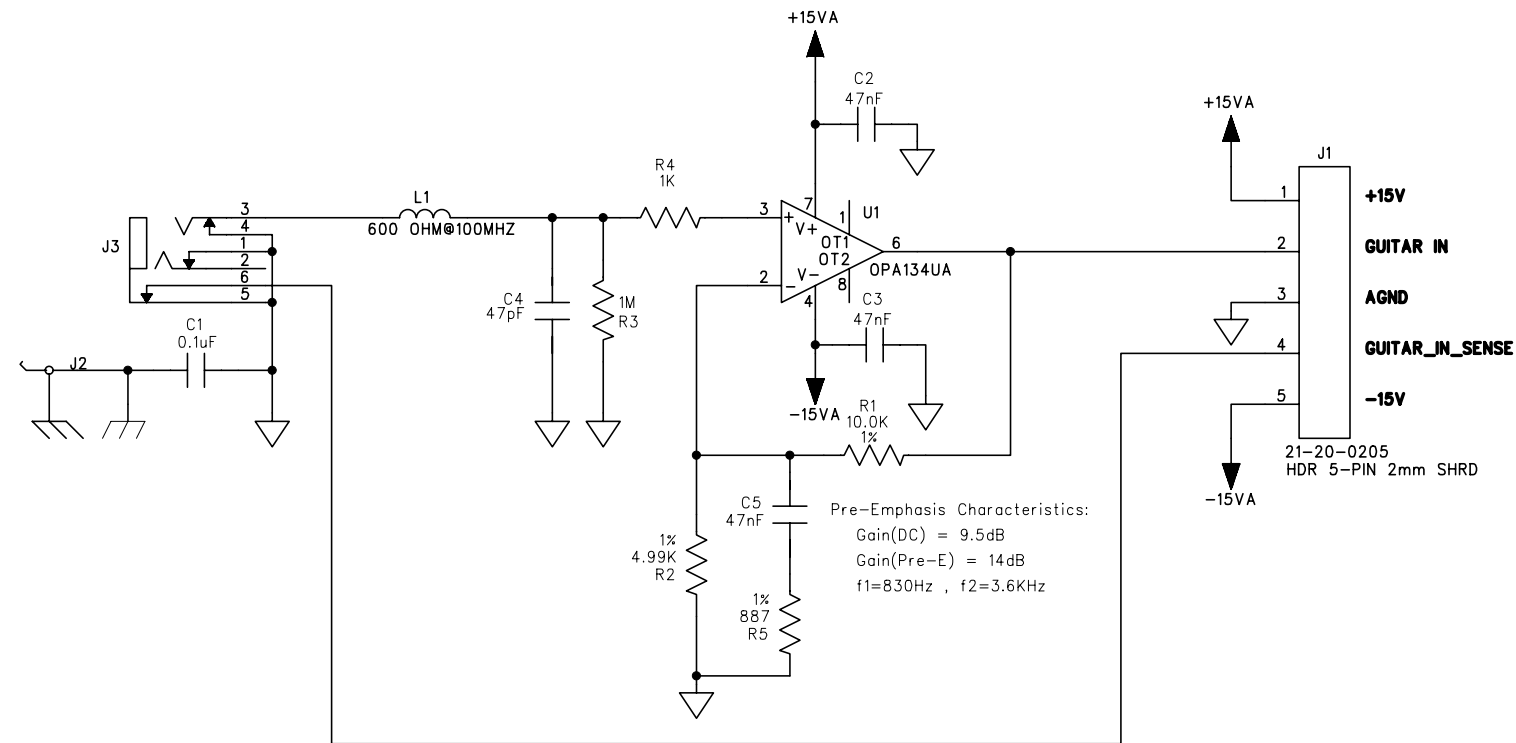
2

1

REVISION RECORD			
LTR	ECO NO:	APPROVED:	DATE:

PER ECO# 223903 - CORRECTED PCB SOLDER MASK PROBLEM

GUITAR INPUT PCB



COMPANY:		LINE 6	
TITLE:		DUET GUITAR INPUT PCB	
PROGRAM:	PADS POWER LOGIC V4.0		REV: C
FILENAME:	SHARCTONE Product Family/DUET 212 Combo/Electrical/ /Schematic/GUITAR IN/REV C/DUET GUITAR IN REV C.SCH		
SCALE: 1:1	SIZE: B	PART NUMBER: 35-00-0169	SHEET: 1 OF 1

DRAWN: D. Blackmore	DATED: Date 7/10/02
CHECKED: Initials	DATED: Date

D

C

B

A

D

C

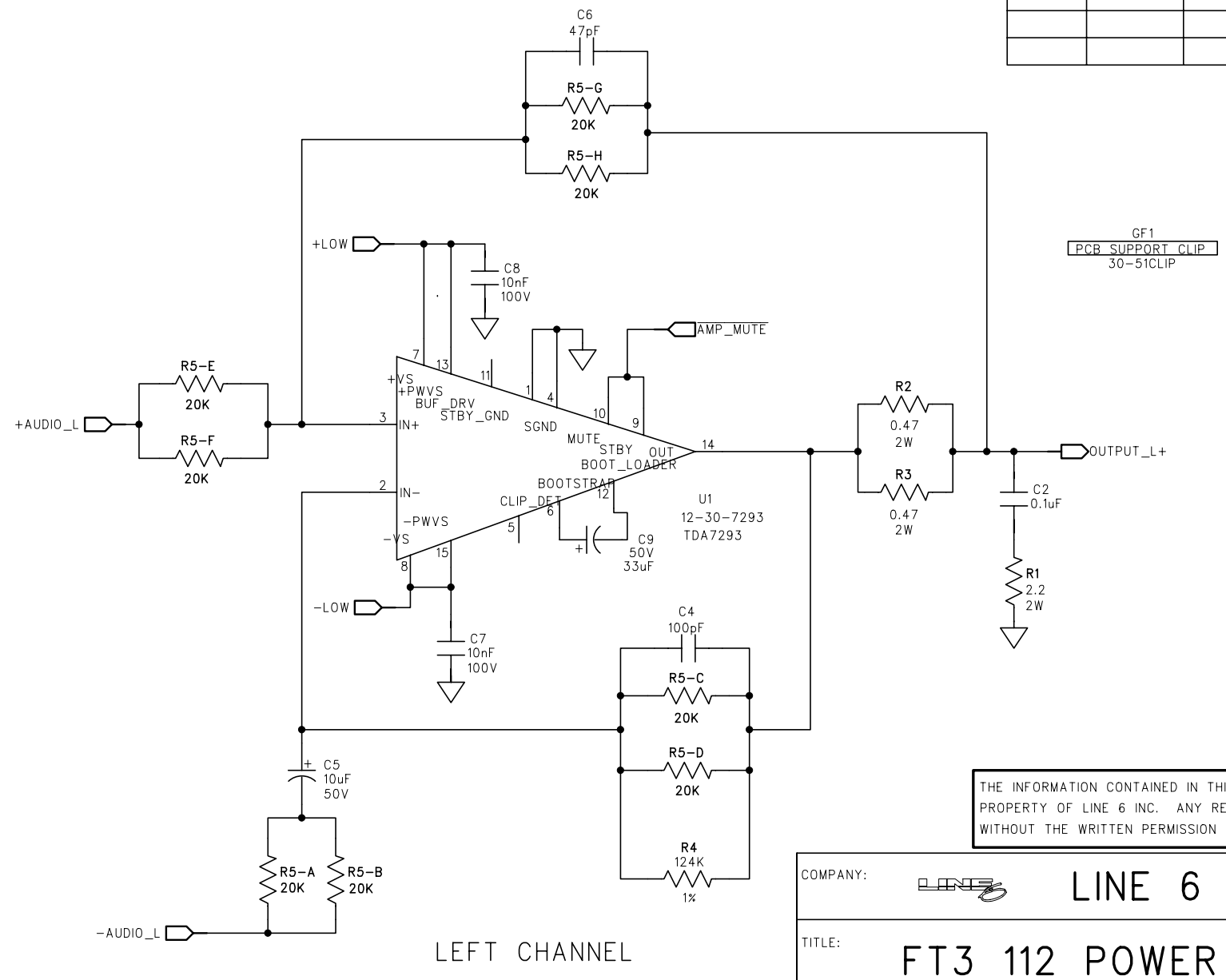
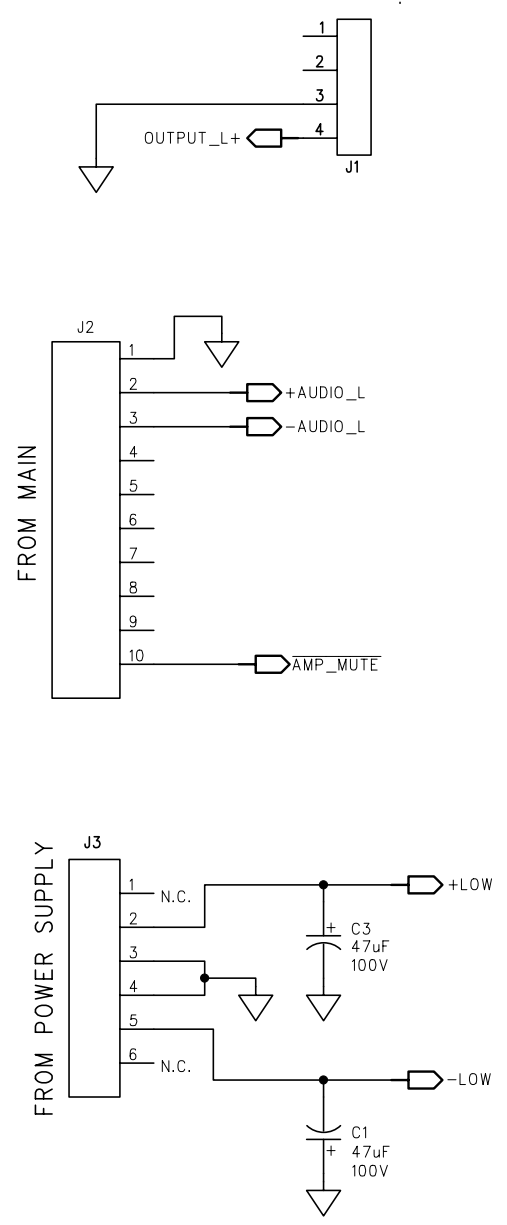
B

A

6 5 4 3 2 1

REVISION RECORD			
LTR	ECO NO:	DESCRIPTION	DATE:
A	0229801	RELEASE REV A	10.25.02

D
C
B
A

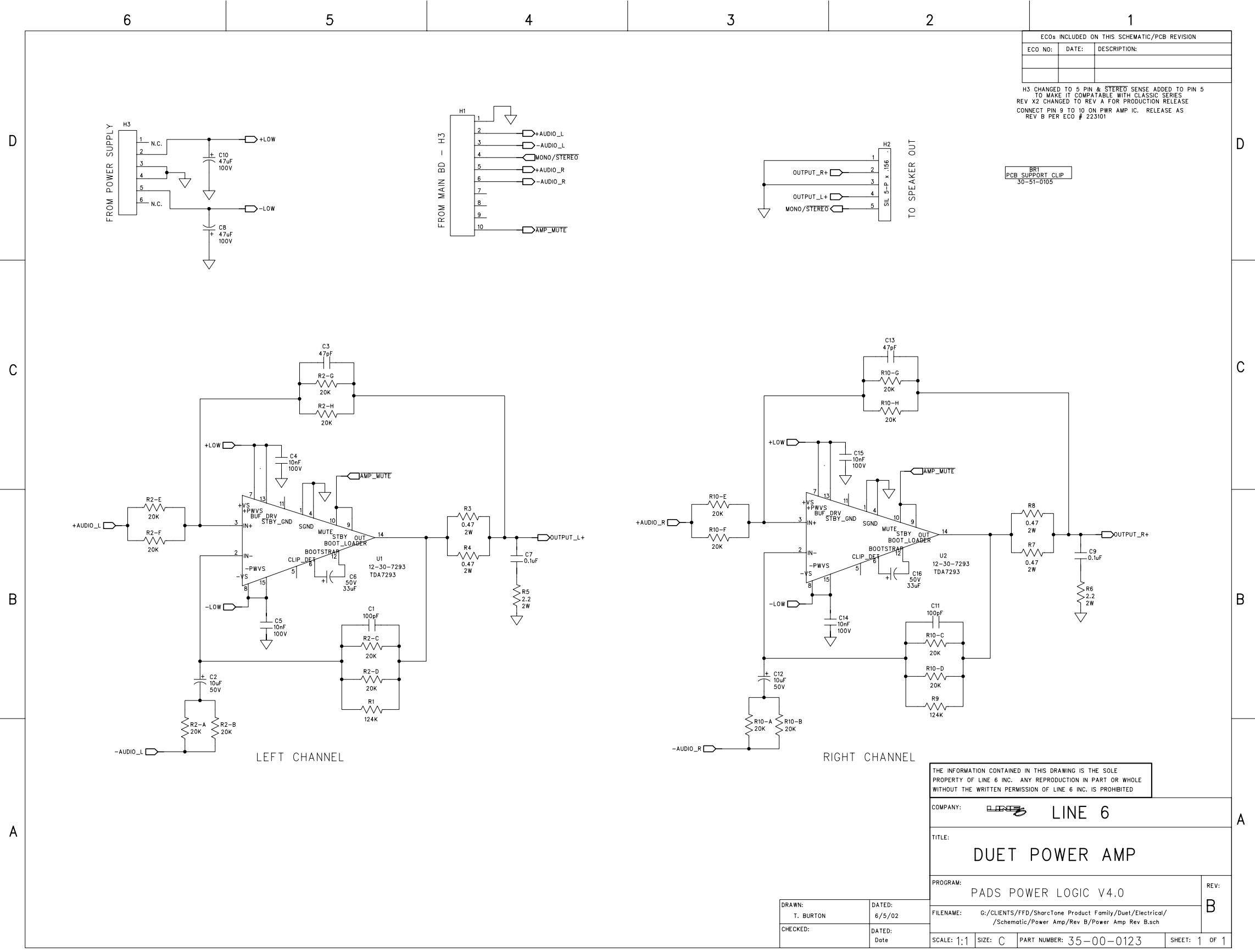


LEFT CHANNEL

THE INFORMATION CONTAINED IN THIS DRAWING IS THE SOLE PROPERTY OF LINE 6 INC. ANY REPRODUCTION IN PART OR WHOLE WITHOUT THE WRITTEN PERMISSION OF LINE 6 INC. IS PROHIBITED

COMPANY: LINE 6	
TITLE: FT3 112 POWER AMP (SHARCTONE 112 COMBO)	
PROGRAM: PADS POWER LOGIC V5.0	REV: A
FILENAME: /Sharctone Product Family/Sharctone 112 Combo/Electrical/Schematic/Power Amp/Rev A/FT3 112 Power Amp Rev A.sch	
SCALE: 1:1 SIZE: B	PART NUMBER: 35-00-0162 SHEET: 1 OF 1

DRAWN: T.B.	DATED: 10-17-02
CHECKED: Initials	DATED: Date



ECOs INCLUDED ON THIS SCHEMATIC/PCB REVISION		
ECO NO:	DATE:	DESCRIPTION:

H3 CHANGED TO 5 PIN & STEREO SENSE ADDED TO PIN 5 TO MAKE IT COMPATIBLE WITH CLASSIC SERIES
 REV X2 CHANGED TO REV A FOR PRODUCTION RELEASE
 CONNECT PIN 9 TO 10 ON PWR AMP IC. RELEASE AS REV B PER ECO # 223101

BRT
 PCB SUPPORT CLIP
 30-51-0105

THE INFORMATION CONTAINED IN THIS DRAWING IS THE SOLE PROPERTY OF LINE 6 INC. ANY REPRODUCTION IN PART OR WHOLE WITHOUT THE WRITTEN PERMISSION OF LINE 6 INC. IS PROHIBITED

COMPANY: LINE 6

TITLE:
DUET POWER AMP

PROGRAM: PADS POWER LOGIC V4.0

FILENAME: G:/CLIENTS/FFD/SharcTone Product Family/Duet/Electrical/Schematic/Power Amp/Rev B/Power Amp Rev B.sch

DRAWN: T. BURTON
 CHECKED:
 DATED: 6/5/02
 DATE

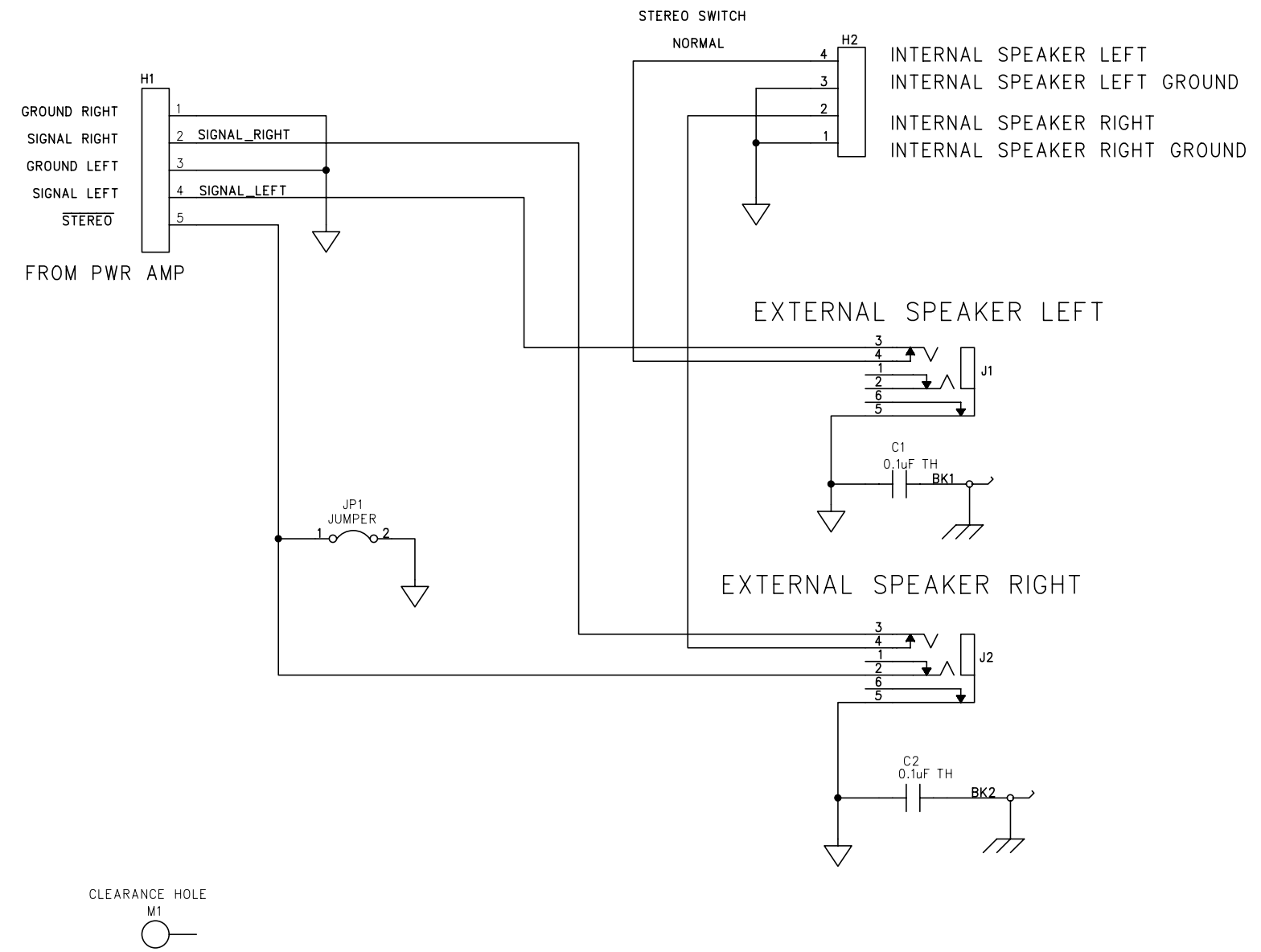
SCALE: 1:1 SIZE: C PART NUMBER: 35-00-0123 SHEET: 1 OF 1

REV: **B**

6 5 4 3 2 1

REVISION RECORD			
LTR	ECO NO:	DESCRIPTION	DATE:
A	0229801	RELEASE REV A	10.25.02

FT3 SPEAKER OUTPUT PCB



JP-1 JUMPER SELECTION

Speakers	Config.	JP-1 Status
2 X 12	STEREO	Install
1 X 12	MONO	Do Not Install
1 X 12	PLUS	Do Not Install

STEREO = LOW
 MONO = HI
 (PULL-UP ON SIGNAL ON MAIN BOARD)

ALL PARTS ON THIS PCB ARE THRU HOLE

COMPANY: LINE 6	
TITLE: FT3 SPEAKER OUTPUTS PCB	
PROGRAM: PADS POWER LOGIC V5.0	REV: A
FILENAME: /SharcTone Product Family/SharcTone 212 Combo/Electrical/ /Schematic/Speaker Out/REV A/FT3 SPKR OUT REV A.sch	
SCALE: 1:1 SIZE: B	PART NUMBER: 35-00-0149 SHEET: 1 OF 1

DRAWN: dblackmore	DATED: 5-13-02
CHECKED: Initials	DATED: Date

D
C
B
A

D
C
B
A

Line 6
 Flexitone 3 Parts List

Items: 99-010-1115

Level	Seq	Component-Item	Component-Description	Qty-Per-Parent
=====				
		Parent Item: 99-010-1115	AMP FLEXTONE 3 112 US 120V	
1	5	21-37-1160	CABLE PWR UL/CSA SJT 8.2ft Blk EL-302 w/GND EL70	1.000000
1	10	40-00-0009	MANUAL USER CLASSIC COMBOS FT3	1.000000
1	20	40-00-0019	CHART PRESET CLASSIC SERIES FT3	1.000000
1	30	40-00-0073	SHEET ACCESSORY DOMESTIC	1.000000
1	40	40-10-0006B	FOAM CORNER PE-LAM 1.5pcf BOTTOM	4.000000
1	50	40-10-0006T	FOAM CORNER PE-LAM 1.5pcf TOP	4.000000
1	60	40-10-0048	CARTON GIFT w/ARTWORK CLASSIC 112/112+/112 CAB FT3	1.000000
1	70	40-10-0049	CARTON SHIPPING CLASSIC 112/112+/112 EXT CAB	1.000000
1	80	40-20-0010	BAG PLASTIC 43"x38"x.004 CLEAR	1.000000
1	90	40-20-0011	BAG PLASTIC 10 x 16 2 mil	1.000000
2	10	11-20-1208	SPEAKER 12" 8-OHM CELESTION T5235	1.000000
2	30	30-00-0015	SCREW 10-24 x1.0in TRUSS HD BLK OXIDE	4.000000
2	40	30-00-1032	SCREW 10-32 x 1-1/4 OVAL CTSK PN	8.000000
2	50	30-00-9358	SCREW #3 x1/2 IN OVAL CTSK PB (SUBST FOR 30-00-0358)	2.000000
2	60	30-03-0110	WASHER FINISHING #10 NICKEL	4.000000
2	70	30-57-0001	HANDLE DUET	1.000000

Line 6
 Flextone 3 Parts List

2	80 30-60-0004	LOGO LINE 6 LRG 184.91x37.52mm BRUSHED/BLK FINISH AL	10 EA	.0	A	Y	N	1.000000
2	90 40-25-0101	LABEL BAR CODE S/N 2-PNL LTX 16 1125502	10 EA	.0	A	Y	N	1.000000
2	100 50-00-0233	ASSY CABINET SPEAKER 112 COMBO CLASSIC FT3C112	10 EA	.0	A	Y	N	1.000000
3	10 30-00-0024	SCREW WD #8 x 1-1/8IN PPB STL	10 EA	.0	A	Y	N	6.000000
3	20 30-00-0812	SCREW w/WAX 8 x 3/4 PTB	10 EA	.0	A	Y	N	4.000000
3	30 30-00-6839	SCR WD 10-12 x 7/8" PHIL PN STEEL	10 EA	.0	A	Y	N	4.000000
3	40 30-06-1024	NUT-T 10-24 X 5/16 STEEL	10 EA	.0	A	Y	N	4.000000
3	50 30-27-0022	PIPING VINYL EXTD W/EMB WELT OFF-WHITE MFR's P/N:EW18002	10 FT	.0	A	Y	N	2.030000
3	60 30-27-1010	VENT PLASTIC TRIM	10 EA	.0	A	Y	N	2.000000
3	70 30-30-1530	CORNER PROTECTOR 2-LEG CUT OUT PLASTIC BLK	10 EA	.0	A	Y	N	4.000000
3	80 30-36-0003	COVER VINYL BLACK 23oz. TAURUS/BLACK SHEETING	10 YD	.0	A	Y	N	1.220000
3	110 30-39-0005	GRILL-CLOTH TAN/BROWN/BLACK BASKET WEAVE	10 YD	.0	A	Y	N	.310000
3	120 30-75-0008	FOOT RUBBER 1.50" I.D. x .75"H BLACK	10 EA	.0	A	Y	N	4.000000
2	110 50-04-0209-2	ASSY E/M CHASSIS 120V CLASSIC 112 COMBO FT3	10 EA	.0	A	Y	N	1.000000
3	10 11-30-0002	XFMR 100V/120V 16.2x2/9.7/33.6 x2 w/CBL ASSY CHASSIS-MNT	10 EA	.0	A	Y	N	1.000000
3	20 24-18-2025	FUSE 2A 250V Slow Blo 5mmx20mm Littlefuse# H239 002 or equiv.	10 EA	.0	A	Y	N	2.000000
3	30 30-06-0011	NUT 8-32 w/NYLON LOCK STEEL-ZINC	10 EA	.0	A	Y	N	4.000000
4	30 21-14-0002	JACK IEC w/FUSE MALE 3-PIN PANEL-MNT SNAP IN VERT	10 EA	.0	A	Y	N	1.000000
4	40 21-30-0009-1	CAB DIL 10 PIN .100 PITCH 8.0 in	10 EA	.0	A	Y	N	1.000000

Line 6
 Flexstone 3 Parts List

4	50 21-34-0014-1 5.0 IN LG	CAB SIL 8 PINS .156 IN PITCH	10 EA	.0	A	Y	N	1.000000
4	70 21-34-0015 151.0mm F-F Z-TYPE	CBL SIL 5-COND 26AWG 2mm x 6M	10 EA 4	.0	A	Y	N P Y Y	1.000000
4	80 21-34-0021-4 6.5 IN	CAB SIL 6 PIN .156 IN PITCH	10 EA	.0	A	Y	N	1.000000
4	90 21-34-0031	CAB ASSY SIL 5 PIN 7.25 LG	10 EA	.0	A	Y	N	1.000000
4	100 21-34-0034	CAB ASSY SIL 2 7.0 IN	10 EA	.0	A	Y	N	1.000000
4	110 21-34-0035	CAB ASSY JUMPER 3.00 IN	10 EA	.0	A	Y	N	1.000000
4	130 21-34-0037	CAB ASSY 2 PIN 13.5 IN LG	10 EA	.0	A	Y	N	1.000000
4	170 21-34-1806 18AWG GRN/YL EARTHING	CBL S-T/EYE 1-COND 126mm STRND	10 EA	.0	A	Y	N	1.000000
4	180 21-34-9034 1.27mm 152.40mm	CBL DIL RIBBON 34-COND 28AWG	10 EA	.0	A	Y	N	1.000000
4	200 24-06-0001 Chassis Mount	SWITCH ROCKER 9.2mm 3 pins	10 EA	.0	A	Y	N	1.000000
4	220 24-21-1122	CAP SWITCH	10 EA	.0	A	Y	N	1.000000
4	240 30-00-0018	SCREW SELF-TAP 6-32 x .75 PFZ	10 EA	.0	A	Y	N	4.000000
4	250 30-00-0035 TOOTH CAPTIVE WASHER	SCREW 6-32 x 1" PPZ w/EXT	10 EA	.0	A	Y	N	1.000000
4	260 30-00-0606 STL PPB	SCREW 6-32 x 7/16 w/LK WASHER	10 EA	.0	A	Y	N	4.000000
4	270 30-00-0607 PPZ STL	SCREW 6-32 x 7/16IN w/LK WASH	10 EA	.0	A	Y	N	22.000000
4	330 30-15-0004	SPACER .13THKx.630D NYLON	10 EA	.0	A	Y	N	1.000000
4	340 30-15-0014 .189 LG WHITE NYLON	SPACER .615 OD x .386 ID x	10 EA	.0	A	Y	N	1.000000
4	350 30-15-0016 NYLON NATURAL	SPACER 6.4 x 3.7 x 15mm	10 EA	.0	A	Y	N	1.000000
4	355 30-27-0049 .47 HIGH CLR POLY MINITEXTURE	LT PIPE SHARCTONE 1.4 OD x	10 EA	.0	A	Y	N	1.000000

Line 6
 Flexitone 3 Parts List

5	90 01-24-1241	Ref: R99-100,R106-107 RES 1.24K 1% 0805	0 EA	.0	A	Y	N	2.000000
5	100 01-24-15R0	Ref: R4,R9 RES 15R 1% 0805	0 EA	.0	A	Y	N	2.000000
5	110 01-24-1822	Ref: R123,R142 RES 18.2K 1% 0805	0 EA	.0	A		N	4.000000
5	120 01-24-2000	Ref: R2-3,R6,R13 RES 200R 1% 0805	0 EA	.0	A		N	1.000000
5	130 01-24-2001	Ref: R150 RES 2.00K 1% 0805	0 EA	.0	A	Y	N	16.000000
5	140 01-24-2002	Ref: R7,R15,R19,R24-26,R32,R34-38,R44-45,R47-48 RES 20.0K 1% 0805	0 EA	.0	A	Y	N	2.000000
5	150 01-24-2210	Ref: R133,R149 RES 221R 1% 0805	0 EA	.0	A	Y	N	3.000000
5	160 01-24-2211	Ref: R90,R101-102 RES 2.21K 1% 0805	0 EA	.0	A	Y	N	2.000000
5	170 01-24-2741	Ref: R61,R62 RES 2.74K 1% 0805	0 EA	.0	A	Y	N	2.000000
5	180 01-24-2801	Ref: R17-18 RES 2.80K 1% 0805	0 EA	.0	A	Y	N	2.000000
5	190 01-24-3011	Ref: R79,R82 RES 3.01K 1% 0805	0 EA	.0	A	Y	N	6.000000
5	200 01-24-3651	Ref: R20,R87,R93,R112,R114,R148 RES 3.65K 1% 0805	0 EA	.0	A	Y	N	2.000000
5	210 01-24-4321	Ref: R57-58 RES 4.32K 1% 0805	0 EA	.0	A	Y	N	1.000000
5	220 01-24-4750	Ref: R33 RES 475R 1% 0805	0 EA	.0	A	Y	N	3.000000

Ref: R104-105,R109

Line 6
 Flextone 3 Parts List

5	230 01-24-4751	RES 4.75K 1% 0805							10.000000
5	240 01-24-47R5	RES 47.5R 1% 0805							8.000000
		Ref: R53,R69,R140,R146,R151-152,R159-162							
5	250 01-24-5110	RES 511R 1% 0805							1.000000
		Ref: R119,R124-126,R129,R138-139,R143							
5	260 01-24-5R11	RES 5.11R 1% 0805							6.000000
		Ref: R12							
5	270 01-24-6041	RES 6.04K 1% 0805							1.000000
		Ref: R27,R39,R43,R46,R163-164							
5	280 01-24-6650	RES 665R 1% 0805	0	EA	.0	A	Y	N	2.000000
		Ref: R22							
5	290 01-24-6810	RES 681R 1% 0805	0	EA	.0	A	Y	N	4.000000
		Ref: R63,R65							
5	300 01-24-7500	RES 750R 1% 0805	0	EA	.0	A	Y	N	2.000000
		Ref: R1,R16,R40,R49							
5	310 01-24-7501	RES 7.50K1% 0805	0	EA	.0	A	Y	N	1.000000
		Ref: R78,R81							
5	320 01-24-8253	RES 825K 1% 0805	0	EA	.0	A	Y	N	1.000000
		Ref: R5							
5	330 01-24-8871	RES 8.87K 1% 0805	0	EA	.0	A	Y	N	8.000000
		Ref: R84							
5	340 03-10-6108	CAP ELEC 1000uF 6.3V 20% RADIAL 8/11.5/5	0	EA	.0	A	Y	N	2.000000
		Ref: R11,R14,R28-31,R41-42							
5	350 03-12-0337	CAP ELEC 330uF 16V 20% RADIAL 8/11.5/5	0	EA	.0	A	Y	N	2.000000
		Ref: C18,C24							
5	360 03-18-0105	CAP ELEC 1uF 50V 20% RADIAL 5/11/5	0	EA	.0	A	Y	N	14.000000
		Ref: C48,C79							
5	370 03-18-0106	CAP ELEC 10uF 50V 20% RADIAL N 5/11/5							14.000000
		Ref: C3-4,C8-9,C16-17,C19,C40,C46-47,C63-64,C73-74 C15,C28,C38,C44,C57-58,C62,C66,C71-72,C76,C78,C82,C88							

Line 6
 Flextone 3 Parts List

5	380 03-18-0474 5/11/5	CAP ELEC 0.47uF 50V 20% RADIAL	0 EA	.0	A Y N	1.000000
		Ref: C59				
5	390 03-50-0102	CAP NPO 1nF 50V 5% 0805	0 EA	.0	A Y N	4.000000
		Ref: C70,C106,C110,C118				
5	400 03-50-0272	CAP NPO 2.7nF 50V 5% 0805	0 EA	.0	A Y N	4.000000
		Ref: C7,C27,C31-32				
5	410 03-50-0391	CAP NPO 390pF 50v 5% 0805	0 EA	.0	A Y N	8.000000
		Ref: C2,C6,C10,C12-14,C20,C23				
5	420 03-52-0101	CAP X7R 100pF 50V 20% 0805	0 EA	.0	A Y N	2.000000
		Ref: R132,R138				
5	430 03-52-0102	CAP X7R 1nF 50V 20% 0805				15.000000
		Ref: C34,C43,C96-97,C99,C103-105,C114,C121,C126,C148-149,C154,C158				
5	440 03-52-0104	CAP X7R 0.1uF 50V 20% 0805				12.000000
		Ref: C54,C56,C95,C100-101,C117,C120,C125,C131,C137,C147,C152				
5	450 03-52-0221	CAP X7R 220pF 50V 20% 0805	0 EA	.0	A Y N	6.000000
		Ref: C1,C5,C49-50,C77,C81				
5	460 03-52-0222	CAP X7R 2.2nF 50V 20% 0805	0 EA	.0	A Y N	2.000000
		Ref: C26,C36				
5	470 03-52-0473	CAP X7R 47nF 50V 20% 0805	0 EA	.0	A Y N	63.000000
		Ref: C11,C21-22,C25,C29-30,C33,C35,C37,C39,C41-42,C45,C51-53,C55,C60-61,C65,C67-69,C75,C80,C83,86-87,89-94,102,C115,C122-124,C127-130,C133-136,C139-146,C150-151,C153,C155-157,C159-160			P Y N	
5	480 06-20-0099 6nS SOT-23 SM BAV99	DIODE GEN PUR DUAL 70V 215mA	0 EA	.0	A Y N	8.000000
		Ref: D1-3,D5-6,D21-23				
5	490 06-34-0016 6nS SOT-23 SM BAS16LT1	DIODE SWITCHING 75V 200mA	0 EA	.0	A Y N	15.000000
		Ref: D4,D7-20				
5	500 09-10-4401 SOT-23 SM	TRANS NPN SMALL-SIGNAL MBT4401	0 EA	.0	A Y N	3.000000
		Ref: Q1,Q3-4				

Line 6
 Flexstone 3 Parts List

5	510 09-10-4403	TRANS PNP SMALL-SIGNAL MBT4403 SOT-23 SM	0 EA	.0	A	Y	N	1.000000
		Ref: Q2						
5	520 11-00-3000	CRYSTAL OSCILLATOR 30MHz 3.3V DIP4 TH	0 EA	.0	A	Y	N	1.000000
		Ref: Y1						
5	530 11-10-0501	FERRITE BEAD 500R @100mHZ 2.5A 1206 SM	0 EA	.0	A	Y	N	2.000000
		Ref: L5-6						
5	540 11-10-0601	FERRITE BEAD 600R @100MHZ 1206	0 EA	.0	A	Y	N	26.000000
		Ref: L1-4,L7-28						
5	550 12-02-1086	IC REG +3.3V TO-220 TH LM1086	0 EA	.0	A	Y	N	1.000000
		Ref: U26						
5	560 12-02-7805	IC REG +5v 1.5 Amp TH	0 EA	.0	A	Y	N	2.000000
		Ref: U8,U27						
5	570 12-02-7815	IC REG +15V 1AMP TO-220 TH	0 EA	.0	A	Y	N	1.000000
		Ref: U29						
5	580 12-02-7915	IC REG -15V 1AMP TO-220 TH 7915	0 EA	.0	A	Y	N	1.000000
		Ref: U31						
5	590 12-54-0082	IC OP AMP DUAL TL082CD SO-8 SM	0 EA	.0	A	Y	N	3.000000
		Ref: U2-3,U33						
5	600 12-54-0084	IC OP AMP QUAD TL084CD SM	0 EA	.0	A	Y	N	6.000000
		Ref: U1,U7,U17,U28,U30,U32						
5	610 12-54-5538	IC OP-AMP DUAL LO NOISE NE5532AD8 SM SO-8	0 EA	.0	A	Y	N	1.000000
		Ref: U4						
5	620 12-62-4053	IC SWITCH-ANALOG TRIPLE 2-CHAN TSSOP-16 SM CD4053BPW	0 EA	.0	A	Y	N	2.000000
		Ref: U9,U13						
5	630 12-64-4528	IC CONVERTER 24B 48/96KHz AUDIO CODEC SM AK4528	0 EA	.0	A	Y	N	2.000000
		Ref: U5-6						
5	640 15-40-6138	IC 6N138 OPTO-ISOLATOR DIP-8 TH	0 EA	.0	A	Y	N	1.000000
		Ref: U24						
5	650 15-64-0014	IC 74HCT14 HEX INVERTER	Ref: U21					1.000000

Line 6
 Flexitone 3 Parts List

5	660 15-65-0014	IC 74LCX14 LOW VOLTAGE CMOS INV HEX SCHMITT TRIGGER SM	0 EA	.0	A	Y	N	1.000000
		Ref: U19						
5	670 15-67-0179	IC RS-485 LOW PWR DIFF TRANSCIEVER SN75LBC179 SO-8 SM	0 EA	.0	A	Y	N	1.000000
		Ref: U25						
5	680 15-70-1610	IC DRAM 1M X 16 SDRAM HY57V161610DTC-7 SM	0 EA	.0	A	Y	N	2.000000
		Ref: U11-12						
5	690 15-86-1065	IC DSP SHARC ADSP-21065LKS-240 MQFP208 SM	0 EA	.0	A	Y	N	1.000000
		Ref: U14						
5	700 15-92-5810	IC RESET 5V 5% ACTIVE-HI SOT-23 SM LM810	0 EA	.0	A	Y	N	1.000000
		Ref: U18						
5	710 21-00-6616	JACK 1/4" TRS 6-PIN PCB MT HORIZ TH	0 EA	.0	A	Y	N	5.000000
		Ref: J3-6,J9						
5	720 21-04-5075	JACK DIN 5-PIN FEMALE MIDI PCB-MNT RT-ANG LN 05075	0 EA	.0	A	Y	N	2.000000
		Ref: P1-2						
5	730 21-16-0045	JACK RJ-45 8-PIN FEMALE PCB-MNT RT-ANG	0 EA	.0	A	Y	N	1.000000
		Ref: J7						
5	740 21-18-0002	TERMINAL SCREW PCB MOUNT RT ANGLE SNAP-IN TH	0 EA	.0	A	Y	N	2.000000
		Ref: BR1-2						
5	750 21-20-0205	HDR PCB MT SIL 5-PIN x 2mm FEMALE SHRD VERT MT TH	0 EA	.0	A	Y	N	1.000000
		Ref: H1						
5	760 21-20-1033	HDR PCB MT DIL 34-PIN 2x17x2mm MALE SHRD VERT MT TH	0 EA	.0	A	Y	N	1.000000
		Ref: H4						
5	770 21-20-1568	HDR PCB MT SIL 8-PIN X .156 MALE VERT-MNT FRIC-LOCK	0 EA	.0	A	Y	N	1.000000
		Ref: H6						
5	780 21-20-2010	HDR PCB MT DIL 10-PIN 2x5x100 MALE SHRD VERT	0 EA	.0	A	Y	N	2.000000
		Ref: H5,H7						
5	790 21-44-0044	SOCKET 44 PIN PLCC - .050 LOW PROFILE SMT	0 EA	.0	A	Y	N	1.000000
		Ref: S1						

Line 6
 Flextone 3 Parts List

5	800 30-00-0607	SCREW 6-32 x 7/16IN w/LK WASH PPZ STL	0 EA	.0	A	Y	N	2.000000
		Ref: U29,U31						
5	810 30-06-0623	NUT HEX 6-32 w/CPTV STAR-WASHR	0 EA	.0	A	Y	N	2.000000
		Ref: U29,U31						
5	820 30-18-3030	CLIP GND PCB .30x.30x.07	0 EA	.0	A	Y	N	7.000000
		Ref: GF1-6,GF8						
5	830 30-51-0029	HEATSINK AL BLK ANODIZED	0 EA	.0	A	Y	N	1.000000
		Ref: P3						
5	840 30-51-0057	HEAT SINK, BLACK ANODIZED AL, WAKEFIELD #287-1AB	0 EA	.0	A	Y	N	1.000000
		Ref: P4						
5	860 45-01-0005	IC PROGRAMMED MPU CLASSIC SERIES v1.00 c/s=0x943F FT3	0 EA	.0	A	Y	N	1.000000
		Ref: U16						
6	10 15-84-8752	IC MPU 87C51MB OTP w/2K byte SRAM and 64K ROM PLCC44	0 EA	.0	A	Y	N	1.000000
		Ref: U10						
5	870 45-02-0007	IC PROGRAMMED FLASH v1.00 CLASSIC SERIES FT3	0 EA	.0	A	Y	N	1.000000
		Ref: U10						
6	10 15-78-0000	IC FLASH 4Meg 512Kx8/256x16 TSOP-48 SM AM29LV400	0 EA	.0	A	Y	N	1.000000
		Ref: U15						
5	880 45-06-0001	IC PROGRAMMED PLD Flextone 3 REV B	0 EA	.0	A	Y	N	1.000000
		Ref: U15						
6	10 15-96-0000	IC PLD 64 MACROCELL/64IO TQFP100 SM M4A3-64/64-10VC	10 EA	.0	A	Y	N	1.000000
4	560 50-00-0146	PCBA USER INTERFACE FT3	10 EA	.0	A	Y	N	1.000000
		Ref: R13-14						
5	10 01-24-1002	RES 10.0K 1% 0805	0 EA	.0	A	Y	N	2.000000
		Ref: R15						
5	20 01-24-10R0	RES 10.0R 1% 0805	0 EA	.0	A	Y	N	1.000000
		Ref: R15						
5	30 01-24-48R7	RES 48.7R 1% 0805	0 EA	.0	A	Y	N	16.000000
		Ref: R1-12,R16-19						
5	40 01-48-0103	POT MONO 10KB LINEAR TAPER 25 mm D-SHAFT			Ref: R23-31			9.000000

Line 6
 Flextone 3 Parts List

5	50 01-48-4103 25mm	POT STEREO 10KB LINEAR TAPER	0 EA	.0	A	Y	N	1.000000
		Ref: R22						
5	60 03-18-0105 5/11/5	CAP ELEC 1uF 50V 20% RADIAL	0 EA	.0	A	Y	N	1.000000
		Ref: C30						
5	70 03-18-0106 5/11/5	CAP ELEC 10uF 50V 20% RADIAL	0 EA	.0	A	Y	N	1.000000
		Ref: C31						
5	80 03-52-0473	CAP X7R 47nF 50V 20% 0805	0 EA	.0	A	Y	N	29.000000
		Ref: C1-29						
5	90 06-34-0016 6nS SOT-23 SM BAS16LT1	DIODE SWITCHING 75V 200mA	0 EA	.0	A	Y	N	12.000000
		Ref: D1-2,D3,D20-26,D37,D39						
5	100 09-06-7002 SOT-23 SM 2N7002	TRANS MOSFET N-CHAN 60V 7R5	0 EA	.0	A	Y	N	7.000000
		Ref: Q1-7						
5	110 12-64-1543 TLC1543CDW	IC ADC 10 BIT 11 CHANNEL SM	0 EA	.0	A	Y	N	1.000000
		Ref: U4						
5	120 15-64-0595 W/ 3-S SO-16 SM	IC 74HCT595 OCTAL SHIFT REG	0 EA	.0	A	Y	N	3.000000
		Ref: U1-3						
5	130 18-02-0001 TH L934SYC	LED YELLOW SUPERBRITE T1(3MM)	0 EA	.0	A	Y	N	7.000000
		Ref: D27-30,D38,D40,D47						
5	140 18-22-0003 AP2012SYC SM	LED YELLOW SUPER 2.0x1.2x1.1mm	0 EA	.0	A	N	N	12.000000
		Ref: D31-36,D41-46						
5	150 18-26-0001 CLR LENS COM CATH SOT-23 SM	LED TRI-STATE RD/GRN 635/565nm	0 EA	.0	A	Y	N	16.000000
		Ref: D4-19						
5	160 21-20-1033 MALE SHRD VERT MT TH	HDR PCB MT DIL 34-PIN 2x17x2mm	0 EA	.0	A	Y	N	1.000000
		Ref: H1						
5	170 24-12-0003 25mm D-SHFT METAL V-MNT PCB	ENCODER 18-STEP w/PUSH SW	0 EA	.0	A	Y	N	1.000000
		Ref: ENC1						
5	175 21-34-0036 2.165 LG	CAB ASSY 4 PIN 2.54MM PITCH	0 EA	.0	A	Y	N	1.000000
		Ref: H2 to H3						

Line 6
 Flexitone 3 Parts List

5	180 24-31-1102	SWITCH TACT 6mm SQ 4-PIN TH W/ SQ 2.8mm ACTUATOR	0 EA	.0	A	Y	N	2.000000
		Ref: SW5,SW8						
5	190 24-31-1105	SWITCH TACT 6mm SQ 4-PIN TH	0 EA	.0	A	Y	N	7.000000
		Ref: SW1-4,SW6-7,SW9						
4	570 50-00-0147	PCBA POWER SUPPLY CLASSIC SERIES FT3	10 EA	.0	A	Y	N	1.000000
5	10 01-12-0101	RES CARBON FILM 100R 1/4W 5% TH	0 EA	.0	A	Y	N	1.000000
		Ref: R2						
5	20 01-12-0242	RES CARBON FILM 2.4K 1/4W 5% TH	0 EA	.0	A	Y	N	1.000000
		Ref: R3						
5	30 01-12-0561	RES CARBON FILM 560R 1/4W 5% TH	0 EA	.0	A	Y	N	1.000000
		Ref: R4						
5	40 03-12-0107	CAP ELEC 100uF 16V 20% RADIAL 6.3/11/5	0 EA	.0	A	Y	N	1.000000
		Ref: C9						
5	50 03-12-0688	CAP ELEC 6800uF 16V 20% RADIAL 18/35.5/7.5	0 EA	.0	A	Y	N	1.000000
		Ref: C6						
5	60 03-16-0108	CAP ELEC 1000uF 35V 20% RADIAL 12.5/20/5	0 EA	.0	A	Y	N	2.000000
		Ref: C7-8						
5	70 03-18-0478	CAP ELEC 4700uF 50V 20% SNAPIN RADIAL 25/40/10 OR 22/35/10__	0 EA	.0	A	Y	N	2.000000
		Ref: C4-5						
5	80 03-41-0224	CAP X-CAP 0.22uF 275VAC 20% POLYPROPYLENE 18/9.5/17.5/15	0 EA	.0	A	Y	N	1.000000
		Ref: C3						
5	90 03-75-0102	CAP Y-CAP 1nF 250VAC 20% TH CER DISC 7D/7/7.5	0 EA	.0	A	Y	N	2.000000
		Ref: C1-2						
5	100 06-04-4002	DIODE SMALL-SIGNAL 100V 30A DO-41 AXIAL TH 1N4002	0 EA	.0	A	Y	N	8.000000
		Ref: D2-9						
5	110 06-16-0008	DIODE BRIDGE-RECT 8A 600V 4-PIN SIL TH KBU8J	0 EA	.0	A	Y	N	1.000000
		Ref: D1						

Line 6
 Flexitone 3 Parts List

5	120 11-10-2020	CHOKE WIDE BAND 1-5 TURNS ISI LB2/1.5ZA	0 EA	.0	A	Y	N	2.000000
		Ref: L1-2						
5	130 12-02-1088	IC REG ADJ TO-220 TH LM1086 N	0 EA	.0	A	Y	N	1.000000
		Ref: U1						
5	140 21-20-1566	HDR PCB MT SIL 6-PIN X .156 MALE VERT-MNT FRIC-LOCK	0 EA	.0	A	Y	N	1.000000
		Ref: J5						
5	150 21-20-1568	HDR PCB MT SIL 8-PIN X .156 MALE VERT-MNT FRIC-LOCK	0 EA	.0	A	Y	N	2.000000
		Ref: J4,J6						
5	160 21-20-2075	HDR PCB MT SIL 2-PIN X 7.5mm MALE VERT MT FRIC-LOCK TH	0 EA	.0	A	Y	N	1.000000
		Ref: J3						
5	170 21-20-3123	HDR PCB MT SIL 3-PIN X 7.92mm	0 EA	.0	A	Y	N	2.000000
		Ref: J1-2						
5	182 30-00-0607	SCREW 6-32 x 7/16IN w/LK WASH PPZ STL	0 EA	.0	A	Y	N	1.000000
		Ref: U1 to P1						
5	184 30-06-0623	NUT HEX 6-32 w/CPTV STAR-WASHR	0 EA	.0	A	Y	N	1.000000
		Ref: U1 to P1						
5	190 30-51-0029	HEATSINK AL BLK ANODIZED	0 EA	.0	A	Y	N	1.000000
		Ref: P1						
4	580 50-00-0169	PCBA INPUT GUITAR Flexitone 3 SERIES	10 EA	.0	A	Y	N	1.000000
5	10 01-00-0102	RES 1K 5% 0805	10 EA	.0	A	Y	N	1.000000
		Ref: R4						
5	20 01-00-0105	RES 1M 5% 0805	10 EA	.0	A	Y	N	1.000000
		Ref: R3						
5	30 01-24-1002	RES 10.0K 1% 0805	10 EA	.0	A	Y	N	1.000000
		Ref: R1						
5	40 01-24-4991	RES 4.99K 1% 0805 Ref: R2	10 EA	.0	A	Y	N	1.000000

Line 6
 Flexitone 3 Parts List

5	50 01-24-8870	RES 887R 1% 0805	10 EA	.0	A	Y	N	1.000000
		Ref: R5						
5	60 03-46-0104	CAP X7R 0.1uF 50V 20% 1206	10 EA	.0	A	Y	N	1.000000
		Ref: C1						
5	70 03-50-0470	CAP NPO 47pF 50V 10% 0805	10 EA	.0	A	Y	N	1.000000
		Ref: C4						
5	80 03-52-0473	CAP X7R 47nF 50V 20% 0805	10 EA	.0	A	Y	N	3.000000
		Ref: C2-3,C5						
5	90 11-10-0601	FERRITE BEAD 600R @100MHZ 1206	10 EA	.0	A	Y	N	1.000000
		Ref: L1						
5	100 12-54-0134 SO-8	IC OP AMP - OPA134UA SM	10 EA	.0	A	Y	N	1.000000
		Ref: U1						
5	110 21-00-6617	JACK 1/4" TRS 6-PIN PCB MT HORIZ TH W/CHROME HRDWARE	10 EA	.0	A	Y	N	1.000000
		Ref: J3						
5	120 21-20-0205	HDR PCB MT SIL 5-PIN x 2mm FEMALE SHRD VERT MT TH	10 EA	.0	A	Y	N	1.000000
		Ref: J1						
5	130 30-18-3030	CLIP GND PCB .30x.30x.07	10 EA	.0	A	Y	N	1.000000
		Ref: J2						
4	590 50-00-0207	ASSY CHASSIS w/ARTWORK CLASSIC 112	10 EA	.0	A	Y	N	1.000000
5	10 30-51-0115	CHASSIS 22x6.0x4.9 .063 THK ELEC GALV STL BLK PWD COAT	0 EA	.0	A	Y	N	1.000000
4	610 50-00-0234	ASSY OVERLAY w/ARTWORK U/I PNL CLASSIC SERIES FT3	10 EA	.0	A	Y	N	1.000000
4	620 50-00-0238	ASSY CAP SWITCH w/ARTWORK CLASSIC FT3	10 EA	.0	A	Y	N	1.000000
5	10 30-27-0066	SWITCH CAP 6.4x.63x.55	0 EA	.0	A		N	.0000 1.000000
4	630 50-00-9103	ASSY FINAL POWER AMP CLASSIC 112 FT3C112	10 EA	.0	A	Y	N	1.000000

Flextone 3 Parts List

=====										
5	10	30-00-0010	SCREW 8-32 x 9/16 SKT-CAP S-STL	0	EA	.0	A	Y	N	1.000000
			Ref: Heatsink clamps							
5	20	30-00-0028	SCREW 8-32 x 5/16" SHCS	0	EA	.0	A		N	1.000000
			Ref: Support Bracket BR1							
5	30	30-03-0002	WASHER #8 .293 x.174x .040 STEEL	0	EA	.0	A	Y	N	2.000000
			Ref: (1) clamp (1) support brkt							
5	40	30-06-0007	NUT .344 HEX 8-32 STEEL ZINC	0	EA	.0	A	Y	N	2.000000
			Ref: (1) clamp (1) support brkt							
5	50	30-51-0059-3	HEATSINK 4.0 IN LG AL ALY BLK ANODIZE	0	EA	.0	A	Y	N	1.000000
			Ref: Power Amp Assembly							
5	60	30-51-0073	CLAMP HEATSINK TO-220 1.3x.45x.35" CR STEEL 1018	0	EA	.0	A	Y	N	1.000000
							P	Y	N	
			Ref: Power Amp Assembly							
5	70	30-51-0105	BRKT SUPPORT .565 x .530 x .690 EG STEEL	0	EA	.0	A	Y	N	1.000000
			Ref: BR1							
5	80	30-63-0006	PAD THERMAL 6mil 25mm x 30mm w/ADHESIVE 4KVAC VTM-O	0	EA	.0	A	Y	N	1.000000
			Ref: U1-2							
5	90	50-00-0162	PCBA POWER AMP FT3 112	0	EA	.0	A	Y	N	1.000000
6	10	01-22-02R2	RES METAL OXIDE 2.2R 2W 5% TH	0	EA	.0	A	Y	N	.0000 1.000000
			Ref: R1							
6	20	01-22-0R47	RES METAL OXIDE 0.47R 2W 5% TH	0	EA	.0	A	Y	N	2.000000
			Ref: R2-3							
6	30	01-24-1243	RES 124K 1% 0805	0	EA	.0	A		N	1.000000
			Ref: R4							
6	40	01-60-0203	RES NETWORK ISOLATED 20K 16P 8R .3W 2% CER SOP-16 SM	0	EA	.0	A	Y	N	1.000000
			Ref: R5							
6	60	03-18-0106	CAP ELEC 10uF 50V 20% RADIAL 5/11/5	0	EA	.0	A	Y	N	1.000000
			Ref: C5							
6	70	03-18-0336	CAP ELEC 33uF 50V 20% RADIAL 5/11/5	0	EA	.0	A	Y	N	1.000000
			Ref: C9							

Line 6
 Flexstone 3 Parts List

6	80 03-22-0476 10/15/5	CAP ELEC 47uF 100V 20% RADIAL	0 EA	.0	A	Y	N	2.000000
		Ref: C1,C3						
6	85 03-24-1104 TH 4.5/7.5/7/5	CAP MET-POLY 0.1uF 100VDC 5%	0 EA	.0	A		N	1.000000
		Ref: C2						
6	90 03-52-0101	CAP X7R 100pF 50V 20% 0805	0 EA	.0	A	Y	N	1.000000
		Ref: C4						
6	100 03-52-0470	CAP X7R 47pF 50V 20% 0805	0 EA	.0	A	Y	N	1.000000
		Ref: C6						
6	110 03-52-1103	CAP X7R 10nF 100V 10% 0805	0 EA	.0	A	Y	N	2.000000
		Ref: C7-8						
6	120 12-30-7293 TO-220/15 TH	IC POWER-AMP 100W TDA7293	0 EA	.0	A	Y	N	1.000000
		Ref: U1						
6	130 21-20-1564 MALE VERT-MNT FRIC-LOCK	HDR PCB MT SIL 4-PIN X .156	0 EA	.0	A	Y	N	1.000000
		Ref: J1						
6	140 21-20-1566 MALE VERT-MNT FRIC-LOCK	HDR PCB MT SIL 6-PIN X .156	0 EA	.0	A	Y	N	1.000000
		Ref: J3						
6	150 21-20-2010 MALE SHRD VERT	HDR PCB MT DIL 10-PIN 2x5x100	0 EA	.0	A	Y	N	1.000000
		Ref: J2						

LINE 6
 Flextone 3 Plus Parts List

Items: 99-010-1215

Level	Seq	Component-Item	Component-Description	Qty-Per-Parent
=====				
Parent Item: 99-010-1215 AMP FLEXTONE 3 PLUS 112 US 120V				
1	10	21-37-1160	CABLE PWR UL/CSA SJT 8.2ft Blk EL-302 w/GND EL70	1.000000
1	20	40-00-0009	MANUAL USER CLASSIC COMBOS FT3	1.000000
1	30	40-00-0019	CHART PRESET CLASSIC SERIES FT3	1.000000
1	40	40-00-0073	SHEET ACCESSORY DOMESTIC	1.000000
1	50	40-10-0006B	FOAM CORNER PE-LAM 1.5pcf BOTTOM	4.000000
1	60	40-10-0006T	FOAM CORNER PE-LAM 1.5pcf TOP	4.000000
1	70	40-10-0048	CARTON GIFT w/ARTWORK CLASSIC 112/112+/112 CAB FT3	1.000000
1	80	40-10-0049	CARTON SHIPPING CLASSIC 112/112+/112 EXT CAB	1.000000
1	90	40-20-0010	BAG PLASTIC 43"x38"x.004 CLEAR	1.000000
1	100	40-20-0011	BAG PLASTIC 10 x 16 2 mil	1.000000
2	10	11-20-1208	SPEAKER 12" 8-OHM CELESTION T5235	1.000000
2	20	30-00-0015	SCREW 10-24 x1.0in TRUSS HD BLK OXIDE	4.000000
2	30	30-00-1032	SCREW 10-32 x 1-1/4 OVAL CTSK PN	8.000000
2	40	30-00-9358	SCREW #3 x1/2 IN OVAL CTSK PB (SUBST FOR 30-00-0358)	2.000000
2	50	30-03-0110	WASHER FINISHING #10 NICKEL	4.000000
2	60	30-57-0001	HANDLE DUET	1.000000

LINE 6
Flexitone 3 Plus Parts List

2	70 30-60-0004	LOGO LINE 6 LRG 184.91x37.52mm BRUSHED/BLK FINISH AL	10 EA	.0	A	Y	N	1.000000
2	80 40-25-0101	LABEL BAR CODE S/N 2-PNL LTX 16 1125502	10 EA	.0	A	Y	N	1.000000
2	90 50-00-0233	ASSY CABINET SPEAKER 112 COMBO CLASSIC FT3C112	10 EA	.0	A	Y	N	1.000000
3	10 30-00-0024	SCREW WD #8 x 1-1/8IN PPB STL	10 EA	.0	A	Y	N	6.000000
3	20 30-00-0812	SCREW w/WAX 8 x 3/4 PTB	10 EA	.0	A	Y	N	4.000000
3	30 30-00-6839	SCR WD 10-12 x 7/8" PHIL PN STEEL	10 EA	.0	A	Y	N	4.000000
3	40 30-06-1024	NUT-T 10-24 X 5/16 STEEL	10 EA	.0	A	Y	N	4.000000
3	50 30-27-0022	PIPING VINYL EXTD W/EMB WELT OFF-WHITE MFR's P/N:EW18002	10 FT	.0	A	Y	N	2.030000
3	60 30-27-1010	VENT PLASTIC TRIM	10 EA	.0	A	Y	N	2.000000
3	70 30-30-1530	CORNER PROTECTOR 2-LEG CUT OUT PLASTIC BLK	10 EA	.0	A	Y	N	4.000000
3	80 30-36-0003	COVER VINYL BLACK 23oz. TAURUS/BLACK SHEETING	10 YD	.0	A	Y	N	1.220000
3	110 30-39-0005	GRILL-CLOTH TAN/BROWN/BLACK BASKET WEAVE	10 YD	.0	A	Y	N	.310000
3	120 30-75-0008	FOOT RUBBER 1.50" I.D. x .75"H BLACK	10 EA	.0	A	Y	N	4.000000
2	100 50-04-1121-2	ASSY E/M CHASSIS 120V CLASSIC 112-PLUS COMBO FT3	10 EA	.0	A	Y	N	1.000000
3	10 11-30-0002	XFMR 100V/120V 16.2x2/9.7/33.6 x2 w/CBL ASSY CHASSIS-MNT	10 EA	.0	A	Y	N	1.000000
3	20 24-18-2025	FUSE 2A 250V Slow Blo 5mmx20mm Littlefuse# H239 002 or equiv.	0 EA	.0	A	Y	N	2.000000
3	30 30-06-0011	NUT 8-32 w/NYLON LOCK STEEL-ZINC	0 EA	.0	A	Y	N	4.000000
4	10 21-14-0002	JACK IEC w/FUSE MALE 3-PIN PANEL-MNT SNAP IN VERT	10 EA	.0	A	Y	N	1.000000
4	20 21-30-0009-1	CAB DIL 10 PIN .100 PITCH 8.0 in	10 EA	.0	A	Y	N	1.000000

LINE 6
Flexitone 3 Plus Parts List

4	30 21-34-0014-1 5.0 IN LG	CAB SIL 8 PINS .156 IN PITCH	10 EA	.0	A	Y	N	1.000000
4	40 21-34-0015 151.0mm F-F Z-TYPE	CBL SIL 5-COND 26AWG 2mm x	10 EA	.0	A	Y	N	1.000000
4	50 21-34-0020-2	CBL SIL 4-PIN .156 x 15 IN	10 EA	.0	A	Y	N	1.000000
4	60 21-34-0021-4 6.5 IN	CAB SIL 6 PIN .156 IN PITCH	10 EA	.0	A	Y	N	1.000000
4	70 21-34-0031	CAB ASSY SIL 5 PIN 7.25 LG	10 EA	.0	A	Y	N	1.000000
4	80 21-34-0034	CAB ASSY SIL 2 7.0 IN	10 EA	.0	A	Y	N	1.000000
4	90 21-34-0035	CAB ASSY JUMPER 3.00 IN	10 EA	.0	A	Y	N	1.000000
4	100 21-34-0037	CAB ASSY 2 PIN 13.5 IN LG	10 EA	.0	A	Y	N	1.000000
4	110 21-34-1806 18AWG GRN/YL EARTHING	CBL S-T/EYE 1-COND 126mm STRND	10 EA	.0	A	Y	N	1.000000
4	120 21-34-9034 1.27mm 152.40mm	CBL DIL RIBBON 34-COND 28AWG	10 EA	.0	A	Y	N	1.000000
4	130 24-06-0001 Chassis Mount	SWITCH ROCKER 9.2mm 3 pins	10 EA	.0	A	Y	N	1.000000
4	140 24-21-1122	CAP SWITCH	10 EA	.0	A	Y	N	1.000000
4	150 30-00-0018	SCREW SELF-TAP 6-32 x .75 PFZ	10 EA	.0	A	Y	N	4.000000
4	160 30-00-0035 TOOTH CAPTIVE WASHER	SCREW 6-32 x 1" PPZ w/EXT	10 EA	.0	A	Y	N	1.000000
4	170 30-00-0606 STL PPB	SCREW 6-32 x 7/16 w/LK WASHER	10 EA	.0	A	Y	N	4.000000
4	180 30-00-0607 PPZ STL	SCREW 6-32 x 7/16IN w/LK WASH	10 EA	.0	A	Y	N	35.000000
4	190 30-00-4250 #4 x .250IN PPB	SCREW SHEET METAL SELF-TAP	10 EA	.0	A	Y	N	4.000000
4	200 30-15-0004	SPACER .13THKx.630D NYLON	10 EA	.0	A	Y	N	1.000000
4	210 30-15-0014 .189 LG WHITE NYLON	SPACER .615 OD x .386 ID x	10 EA	.0	A	Y	N	1.000000

LINE 6
Flexitone 3 Plus Parts List

4	220 30-15-0016	SPACER 6.4 x 3.7 x 15mm NYLON NATURAL	10 EA	.0 A Y N	1.000000
4	230 30-27-0049	LT PIPE SHARCTONE 1.4 OD x .47 HIGH CLR POLY MINITEXTURE	10 EA	.0 A Y N	1.000000
4	240 30-27-0054	KNOB BI-DIRECTIONAL .800 DIA X .560H HIGH IMPACT ABS CREAM	10 EA	.0 A Y N	1.000000
4	250 30-27-0060	LIGHTPIPES 6 PIN .38 x .719 LEXAN HIGHLY POLISHED	10 EA	.0 A Y N	2.000000
4	260 30-27-0061	BUTTON .315 DIA x .325 HIGH POLYOXMETHYLENE BLACK W/MATTE	10 EA	.0 A Y N	2.000000
4	270 30-45-2000-2	KNOB POT PLASTIC CREAM w/BLACK INDICATOR LINE	10 EA	.0 A Y N	10.000000
4	280 30-51-0117	CHASSIS COVER 21.97x5.97x.62 .059 THK ELEC GALV STL	10 EA	.0 A Y N	1.000000
4	285 30-63-0010	FOAM w/ADHSV 26.5x 1/4x 1/16IN VOLARAPOLELEFIN	10 EA	.0 A Y N	2.000000
4	290 30-75-9600	GROMMET RUBBER 7/16-D x 1/16-GRV x 9/16IN GRV-DIA BLK	10 EA	.0 A Y N	1.000000
4	310 50-00-0146	PCBA USER INTERFACE FT3	10 EA	.0 A Y N	1.000000
5	10 01-24-1002	RES 10.0K 1% 0805	0 EA	.0 A Y N	2.000000
5	20 01-24-10R0	Ref: R13-14 RES 10.0R 1% 0805	0 EA	.0 A Y N	1.000000
5	30 01-24-48R7	Ref: R15 RES 48.7R 1% 0805	0 EA	.0 A Y N	16.000000
5	40 01-48-0103	Ref: R1-12,R16-19 POT MONO 10KB LINEAR TAPER 25 mm D-SHAFT	0 EA	.0 A Y N	9.000000
5	50 01-48-4103	Ref: R23-31 POT STEREO 10KB LINEAR TAPER 25mm	0 EA	.0 A Y N	1.000000
5	60 03-18-0105	Ref: R22 CAP ELEC 1uF 50V 20% RADIAL 5/11/5	0 EA	.0 A Y N	1.000000
5	70 03-18-0106	Ref: C30 CAP ELEC 10uF 50V 20% RADIAL 5/11/5	0 EA	.0 A Y N	1.000000
		Ref: C31			

LINE 6
Flexitone 3 Plus Parts List

=====									
5	80 03-52-0473	CAP X7R 47nF 50V 20% 0805	0 EA	.0	A	Y	N		29.000000
		Ref: C1-29							
5	90 06-34-0016	DIODE SWITCHING 75V 200mA 6nS SOT-23 SM BAS16LT1	0 EA	.0	A	Y	N		12.000000
		Ref: D1-2,D3,D20-26,D37,D39							
5	100 09-06-7002	TRANS MOSFET N-CHAN 60V 7R5 SOT-23 SM 2N7002	0 EA	.0	A	Y	N		7.000000
		Ref: Q1-7							
5	110 12-64-1543	IC ADC 10 BIT 11 CHANNEL SM TLC1543CDW	0 EA	.0	A	Y	N		1.000000
		Ref: U4							
5	120 15-64-0595	IC 74HCT595 OCTAL SHIFT REG W/ 3-S SO-16 SM	0 EA	.0	A	Y	N		3.000000
		Ref: U1-3							
5	130 18-02-0001	LED YELLOW SUPERBRITE T1(3MM) TH L934SYC	0 EA	.0	A	Y	N		7.000000
		Ref: D27-30,D38,D40,D47							
5	140 18-22-0003	LED YELLOW SUPER 2.0x1.2x1.1mm AP2012SYC SM	0 EA	.0	A	N	N		12.000000
		Ref: D31-36,D41-46							
5	150 18-26-0001	LED TRI-STATE RD/GRN 635/565nm CLR LENS COM CATH SOT-23 SM	0 EA	.0	A	Y	N		16.000000
		Ref: D4-19							
5	160 21-20-1033	HDR PCB MT DIL 34-PIN 2x17x2mm MALE SHRD VERT MT TH	0 EA	.0	A	Y	N		1.000000
		Ref: H1							
5	170 24-12-0003	ENCODER 18-STEP w/PUSH SW 25mm D-SHFT METAL V-MNT PCB	0 EA	.0	A	Y	N		1.000000
		Ref: ENC1							
5	175 21-34-0036	CAB ASSY 4 PIN 2.54MM PITCH 2.165 LG	0 EA	.0	A	Y	N		1.000000
		Ref: H2 to H3							
5	180 24-31-1102	SWITCH TACT 6mm SQ 4-PIN TH W/ SQ 2.8mm ACTUATOR	0 EA	.0	A	Y	N		2.000000
		Ref: SW5,SW8							
5	190 24-31-1105	SWITCH TACT 6mm SQ 4-PIN TH	0 EA	.0	A	Y	N		7.000000
		Ref: SW1-4,SW6-7,SW9							
4	320 50-00-0147	PCBA POWER SUPPLY CLASSIC SERIES FT3	10 EA	.0	A	Y	N		1.000000

LINE 6
Flexitone 3 Plus Parts List

5	10 01-12-0101 TH	RES CARBON FILM 100R 1/4W 5%	0 EA	.0	A Y N	1.000000
		Ref: R2				
5	20 01-12-0242 TH	RES CARBON FILM 2.4K 1/4W 5%	0 EA	.0	A Y N	1.000000
		Ref: R3				
5	30 01-12-0561 TH	RES CARBON FILM 560R 1/4W 5%	0 EA	.0	A Y N	1.000000
		Ref: R4				
5	40 03-12-0107 6.3/11/5	CAP ELEC 100uF 16V 20% RADIAL	0 EA	.0	A Y N	1.000000
		Ref: C9				
5	50 03-12-0688 18/35.5/7.5	CAP ELEC 6800uF 16V 20% RADIAL	0 EA	.0	A Y N	1.000000
		Ref: C6				
5	60 03-16-0108 12.5/20/5	CAP ELEC 1000uF 35V 20% RADIAL	0 EA	.0	A Y N	2.000000
		Ref: C7-8				
5	70 03-18-0478 RADIAL 25/40/10 OR 22/35/10__	CAP ELEC 4700uF 50V 20% SNAPIN	0 EA	.0	A Y N	2.000000
		Ref: C4-5				
5	80 03-41-0224 POLYPROPYLENE 18/9.5/17.5/15	CAP X-CAP 0.22uF 275VAC 20%	0 EA	.0	A Y N	1.000000
		Ref: C3				
5	90 03-75-0102 CER DISC 7D/7/7.5	CAP Y-CAP 1nF 250VAC 20% TH	0 EA	.0	A Y N	2.000000
		Ref: C1-2				
5	100 06-04-4002 DO-41 AXIAL TH 1N4002	DIODE SMALL-SIGNAL 100V 30A	0 EA	.0	A Y N	8.000000
		Ref: D2-9				
5	110 06-16-0008 4-PIN SIL TH KBU8J	DIODE BRIDGE-RECT 8A 600V	0 EA	.0	A Y N	1.000000
		Ref: D1				
5	120 11-10-2020 ISI LB2/1.5ZA	CHOKE WIDE BAND 1-5 TURNS	0 EA	.0	A Y N	2.000000
		Ref: L1-2				
5	130 12-02-1088	IC REG ADJ TO-220 TH LM1086	0 EA	.0	A Y N	1.000000
		Ref: U1				
5	140 21-20-1566 MALE VERT-MNT FRIC-LOCK	HDR PCB MT SIL 6-PIN X .156	0 EA	.0	A Y N	1.000000
		Ref: J5				
5	150 21-20-1568 MALE VERT-MNT FRIC-LOCK	HDR PCB MT SIL 8-PIN X .156	0 EA	.0	A Y N	2.000000
		Ref: J4,J6				

LINE 6
 Flextone 3 Plus Parts List

5	160 21-20-2075	HDR PCB MT SIL 2-PIN X 7.5mm MALE VERT MT FRIC-LOCK TH	0 EA	.0	A	Y	N	1.000000
5	170 21-20-3123	Ref: J3 HDR PCB MT SIL 3-PIN X 7.92mm	0 EA	.0	A	Y	N	.0000 2.000000
5	182 30-00-0607	Ref: J1-2 SCREW 6-32 x 7/16IN w/LK WASH PPZ STL	0 EA	.0	A	Y	N	1.000000
5	184 30-06-0623	Ref: U1 to P1 NUT HEX 6-32 w/CPTV STAR-WASHR	0 EA	.0	A	Y	N	1.000000
5	190 30-51-0029	Ref: U1 to P1 HEATSINK AL BLK ANODIZED	0 EA	.0	A	Y	N	1.000000
		Ref: P1						
4	330 50-00-0149	PCBA SPEAKER OUT 212-COMBO CLASSIC FT3	10 EA	.0	A	Y	N	1.000000
5	10 01-12-0000	RES CARBON FILM OR 1/4W 5% TH	0 EA	.0	A	Y	N	1.000000
5	20 03-00-0104	Ref: JP1 CAP CER DISC 100nF 50V 20% TH (0.1uF)	0 EA	.0	A	Y	N	2.000000
5	30 21-00-6616	Ref: C1,C2 JACK 1/4" TRS 6-PIN PCB MT HORIZ TH	0 EA	.0	A	Y	N	2.000000
5	40 21-20-1564	Ref: J1-2 HDR PCB MT SIL 4-PIN X .156 MALE VERT-MNT FRIC-LOCK	0 EA	.0	A	Y	N	1.000000
5	50 21-20-1565	Ref: H2 HDR PCB MT SIL 5-PIN X .156 MALE VERT-MNT FRIC-LOCK	0 EA	.0	A		N	1.000000
5	60 30-18-3030	Ref: H1 CLIP GND PCB .30x.30x.07	0 EA	.0	A	Y	N	2.000000
		Ref: BK1-2						
4	340 50-00-0163	ASSY AMP POWER w/HEATSINK & HARDWARE	10 EA	.0	A	Y	N	1.000000

LINE 6
 Flexitone 3 Plus Parts List

5	10 30-00-0010 S-STL	SCREW 8-32 x 9/16 SKT-CAP	10 EA	.0	A	Y	N	2.000000
5		Ref: Clamps SCREW 8-32 x 5/16" SHCS	10 EA	.0	A		N	1.000000
5	30 30-03-0002 STEEL	Ref: Support Bracket BR1 WASHER #8 .293 x.174x .040	10 EA	.0	A	Y	N	3.000000
5	40 30-06-0007	Ref:(2) Clamps(1)Support bracket NUT .344 HEX 8-32 STEEL ZINC	10 EA	.0	A	Y	N	3.000000
5	50 30-51-0059-3 ANODIZE	Ref:2 clamps 1 support bracket HEATSINK 4.0 IN LG AL ALY BLK	10 EA	.0	A	Y	N	1.000000
5	60 30-51-0073	Ref: POWER AMP ASSY. CLAMP HEATSINK TO-220 1.3x.45x.35" CR STEEL 1018	10 EA	.0	A	Y	N	2.000000
5	70 30-51-0105	Ref: POWER AMP ASSY. BRKT SUPPORT .565 x .530 x .690 EG STEEL	10 EA	.0	A	Y	N	1.000000
5	80 30-63-0006	Ref: BR1 PAD THERMAL 6mil 25mm x 30mm w/ADHESIVE 4KVAC VTM-O	10 EA	.0	A	Y	N	2.000000
6	10 01-20-02R2 S/B 01-22-02R2	Ref: u1-2 RES METAL OXIDE 2.2R 2W 5% TH	10 EA	.0	A	Y	N	2.000000
6	20 01-22-0R47	Ref: R5-6 RES METAL OXIDE 0.47R 2W 5% TH	10 EA	.0	A	Y	N	4.000000
6	30 01-24-1243	Ref: R3-4,R7-8 RES 124K 1% 0805	10 EA	.0	A		N	2.000000
6	40 01-60-0203	Ref: R1,R9 RES NETWORK ISOLATED 20K 16P 8R .3W 2% CER SOP-16 SM	10 EA	.0	A	Y	N	2.000000
6	50 03-18-0106 5/11/5	Ref: R2,R10 CAP ELEC 10uF 50V 20% RADIAL	10 EA	.0	A	Y	N	2.000000
6	60 03-18-0336 5/11/5	Ref: C2,C12 CAP ELEC 33uF 50V 20% RADIAL	10 EA	.0	A	Y	N	2.000000
6	70 03-22-0476 10/15/5	Ref: C6,C16 CAP ELEC 47uF 100V 20% RADIAL Ref: C8,C10	10 EA	.0	A	Y	N	2.000000

LINE 6
 Flexstone 3 Plus Parts List

6	80 03-24-1104	CAP MET-POLY 0.1uF 100VDC 5% TH 4.5/7.5/7/5	10 EA	.0 A N	2.000000
		Ref: C7,C9			
6	90 03-52-0101	CAP X7R 100pF 50V 20% 0805	10 EA	.0 A Y N	2.000000
		Ref: C1,C11			
6	100 03-52-0470	CAP X7R 47pF 50V 20% 0805	10 EA	.0 A Y N	2.000000
		Ref: C3,C13			
6	110 03-52-1103	CAP X7R 10nF 100V 10% 0805	10 EA	.0 A Y N	4.000000
		Ref: C4-5,C14-15			
6	120 12-30-7293	IC POWER-AMP 100W TDA7293 TO-220/15 TH	10 EA	.0 A Y N	2.000000
		Ref: U1-2			
6	130 21-20-1565	HDR PCB MT SIL 5-PIN X .156 MALE VERT-MNT FRIC-LOCK	10 EA	.0 A N	1.000000
		Ref: H2			
6	140 21-20-1566	HDR PCB MT SIL 6-PIN X .156 MALE VERT-MNT FRIC-LOCK	10 EA	.0 A Y N	1.000000
		Ref: H3			
6	150 21-20-2010	HDR PCB MT DIL 10-PIN 2x5x100 MALE SHRD VERT	10 EA	.0 A Y N	1.000000
		Ref: H1			
4	350 50-00-0169	PCBA INPUT GUITAR SERIES			1.000000
5	10 01-00-0102	RES 1K 5% 0805	10 EA	.0 A Y N	1.000000
		Ref: R4			
5	20 01-00-0105	RES 1M 5% 0805	10 EA	.0 A Y N	1.000000
		Ref: R3			
5	30 01-24-1002	RES 10.0K 1% 0805	10 EA	.0 A Y N	1.000000
		Ref: R1			
5	40 01-24-4991	RES 4.99K 1% 0805	10 EA	.0 A Y N	1.000000
		Ref: R2			
5	50 01-24-8870	RES 887R 1% 0805 Ref: R5	10 EA	.0 A Y N	1.000000

LINE 6
Flexitone 3 Plus Parts List

=====

5	60 03-46-0104	CAP X7R 0.1uF 50V 20% 1206	10 EA	.0	A	Y	N	1.000000
		Ref: C1						
5	70 03-50-0470	CAP NPO 47pF 50V 10% 0805	10 EA	.0	A	Y	N	1.000000
		Ref: C4						
5	80 03-52-0473	CAP X7R 47nF 50V 20% 0805	10 EA	.0	A	Y	N	3.000000
		Ref: C2-3,C5						
5	90 11-10-0601	FERRITE BEAD 600R @100MHZ 1206	10 EA	.0	A	Y	N	1.000000
		Ref: L1						
5	100 12-54-0134 SO-8	IC OP AMP - OPA134UA SM	10 EA	.0	A	Y	N	1.000000
		Ref: U1						
5	110 21-00-6617	JACK 1/4" TRS 6-PIN PCB MT HORIZ TH W/CHROME HRDWARE	10 EA	.0	A	Y	N	1.000000
		Ref: J3						
5	120 21-20-0205	HDR PCB MT SIL 5-PIN x 2mm FEMALE SHRD VERT MT TH	10 EA	.0	A	Y	N	1.000000
		Ref: J1						
5	130 30-18-3030	CLIP GND PCB .30x.30x.07	10 EA	.0	A	Y	N	1.000000
		Ref: J2						
4	360 50-00-0206	ASSY CHASSIS w/ARTWORK CLASSIC 212 / 112+	10 EA	.0	A	Y	N	1.000000
5	10 30-51-0116	CHASSIS 22x4.0x6.0 .063 THK ECEC GALV STL BLK PWD COAT	0 EA	.0	A	Y	N	1.000000
4	370 50-00-0217 FT3	PCBA MAIN CLASSIC 112+ / 212	10 EA	.0	A	Y	N	1.000000
5	10 01-00-0000	RES 0R 5% 0805	0 EA	.0	A	Y	N	1.000000
		Ref: R66						
5	20 01-00-0155	RES 1.5M 5% 0805	0 EA	.0	A	Y	N	1.000000
		Ref: R89						
5	30 01-24-1000	RES 100R 1% 0805	0 EA	.0	A	Y	N	3.000000
		Ref: R64,R67,R108						

LINE 6
Flexitone 3 Plus Parts List

5	40 01-24-1001	RES 1.00K 1% 0805							19.000000
		Ref: R8,R21,R54-56,R86,R92,R95-96,R113,R115,R120,R130,R144-145, R153-154,R157-158							
5	50 01-24-1002	RES 10.0K 1% 0805							27.000000
		Ref: R10,R23,R51-52,R59-60,R68,R71,R73-74,R76-77,R80,R83,R103, R110-111,R116-118,R128,R131-132,R134,R136,R141,R147							
5	60 01-24-1003	RES 100K 1% 0805							11.000000
		Ref: R97-98,R135,R137,R165-166,R168-172							
5	70 01-24-1004	RES 1.00M 1% 0805	0	EA	.0	A	Y	N	6.000000
		Ref: R72,R75,R85,R88,R91,R94							
5	80 01-24-1102	RES 11.0K 1% 0805	0	EA	.0	A	Y	N	4.000000
		Ref: R99-100,R106-107							
5	90 01-24-1241	RES 1.24K 1% 0805	0	EA	.0	A	Y	N	2.000000
		Ref: R4,R9							
5	100 01-24-15R0	RES 15R 1% 0805	0	EA	.0	A	Y	N	2.000000
		Ref: R123,R142							
5	110 01-24-1822	RES 18.2K 1% 0805	0	EA	.0	A		N	4.000000
		Ref: R2-3,R6,R13							
5	120 01-24-2000	RES 200R 1% 0805	0	EA	.0	A		N	1.000000
		Ref: R150							
5	130 01-24-2001	RES 2.00K 1% 0805	0	EA	.0	A	Y	N	16.000000
		Ref: R7,R15,R19,R24-26,R32,R34-38,R44-45,R47-48							
5	140 01-24-2002	RES 20.0K 1% 0805	0	EA	.0	A	Y	N	2.000000
		Ref: R133,R149							
5	150 01-24-2210	RES 221R 1% 0805	0	EA	.0	A	Y	N	3.000000
		Ref: R90,R101-102							
5	160 01-24-2211	RES 2.21K 1% 0805	0	EA	.0	A	Y	N	2.000000
		Ref: R61,R62							
5	170 01-24-2741	RES 2.74K 1% 0805	0	EA	.0	A	Y	N	2.000000
		Ref: R17-18							

LINE 6
 Flexitone 3 Plus Parts List

5	180 01-24-2801	RES 2.80K 1% 0805	0 EA	.0	A	Y	N	2.000000
		Ref: R79,R82						
5	190 01-24-3011	RES 3.01K 1% 0805	0 EA	.0	A	Y	N	6.000000
		Ref: R20,R87,R93,R112,R114,R148						
5	200 01-24-3651	RES 3.65K 1% 0805	0 EA	.0	A	Y	N	2.000000
		Ref: R57-58						
5	210 01-24-4321	RES 4.32K 1% 0805	0 EA	.0	A	Y	N	1.000000
		Ref: R33						
5	220 01-24-4750	RES 475R 1% 0805	0 EA	.0	A	Y	N	3.000000
		Ref: R104-105,R109						
5	230 01-24-4751	RES 4.75K 1% 0805	0 EA	.0	A	Y	N	10.000000
		Ref: R53,R69,R140,R146,R151-152,R159-162						
5	240 01-24-47R5	RES 47.5R 1% 0805						8.000000
		Ref: R119,R124-126,R129,R138-139,R143						
5	250 01-24-5110	RES 511R 1% 0805	0 EA	.0	A	Y	N	1.000000
		Ref: R12						
5	260 01-24-5R11	RES 5.11R 1% 0805	0 EA	.0	A	Y	N	6.000000
		Ref: R27,R39,R43,R46,R163-164						
5	270 01-24-6041	RES 6.04K 1% 0805	0 EA	.0	A	Y	N	1.000000
		Ref: R22						
5	280 01-24-6650	RES 665R 1% 0805	0 EA	.0	A	Y	N	2.000000
		Ref: R63,R65						
5	290 01-24-6810	RES 681R 1% 0805	0 EA	.0	A	Y	N	4.000000
		Ref: R1,R16,R40,R49						
5	310 01-24-7500	RES 750R 1% 0805	0 EA	.0	A	Y	N	2.000000
		Ref: R78,R81						
5	320 01-24-7501	RES 7.50K1% 0805	0 EA	.0	A	Y	N	1.000000
		Ref: R5						

LINE 6
 Flexitone 3 Plus Parts List

5	330 01-24-8253	RES 825K 1% 0805	0 EA	.0	A	Y	N	1.000000
5	340 01-24-8871	Ref: R84 RES 8.87K 1% 0805	0 EA	.0	A	Y	N	8.000000
5	350 01-48-9103	Ref: R11,R14,R28-31,R41-42 POT STEREO 10KA AUDIO TAPER HORIZ MT 25mm RND PLASTIC	0 EA	.0	A	Y	N	1.000000
5	360 03-10-6108	Ref: POT1 CAP ELEC 1000uF 6.3V 20% RADIAL 8/11.5/5	0 EA	.0	A	Y	N	2.000000
5	370 03-12-0337	Ref: C18,C24 CAP ELEC 330uF 16V 20% RADIAL 8/11.5/5	0 EA	.0	A	Y	N	2.000000
5	380 03-18-0105	Ref: C48,C79 CAP ELEC 1uF 50V 20% RADIAL 5/11/5	0 EA	.0	A	Y	N	14.000000
5	390 03-18-0106	Ref: C3-4,C8-9,C16-17,C19,C40,C46-47,C63-64,C73-74 CAP ELEC 10uF 50V 20% RADIAL 5/11/5						14.000000
5	400 03-18-0474	Ref: C15,C28,C38,C44,C57-58,C62,C66,C71-72,C76,C78,C82,C88 CAP ELEC 0.47uF 50V 20% RADIAL 5/11/5	0 EA	.0	A	Y	N	1.000000
5	410 03-50-0102	Ref: C59 CAP NPO 1nF 50V 5% 0805	0 EA	.0	A	Y	N	4.000000
5	420 03-50-0272	Ref: C70,C106,C110,C118 CAP NPO 2.7nF 50V 5% 0805	0 EA	.0	A	Y	N	4.000000
5	430 03-50-0391	Ref: C7,C27,C31-32 CAP NPO 390pF 50v 5% 0805	0 EA	.0	A	Y	N	8.000000
5	435 03-52-0101	Ref: C2,C6,C10,C12-14,C20,C23 CAP X7R 100pF 50V 20% 0805 N	0 EA	.0	A	Y	N	2.000000
5	440 03-52-0102	Ref: R132,R138 CAP X7R 1nF 50V 20% 0805	0 EA	.0	A	Y	N	15.000000
5	450 03-52-0104	Ref: C34,C43,C96-97,C99,C103-105,C114,C121,C126,C148-149,C154, C158 CAP X7R 0.1uF 50V 20% 0805						12.000000
		Ref: C54,C56,C95,C100-101,C117,C120,C125,C131,C137,C147,C152						

LINE 6
Flexitone 3 Plus Parts List

=====									
5	460 03-52-0221	CAP X7R 220pF 50V 20% 0805	0 EA	.0	A	Y	N		6.000000
5	470 03-52-0222	Ref: C1,C5,C49-50,C77,C81 CAP X7R 2.2nF 50V 20% 0805	0 EA	.0	A	Y	N		2.000000
5	480 03-52-0473	Ref: C26,C36 CAP X7R 47nF 50V 20% 0805	0 EA	.0	A	Y	N		63.000000
5	490 06-20-0099	Ref: C11,C21-22,C25,C29-30,C33,C35,C37,C39,C41-42,C45,C51-53,C55, C60-61,C65,C67-69,C75,C80,C83,86-87,89-94,102,C115,C122-124, C127-130,C133-136,C139-146,C150-151,C153,C155-157,C159-160 DIODE GEN PUR DUAL 70V 215mA 6nS SOT-23 SM BAV99	0 EA	.0	A	Y	N		8.000000
5	500 06-34-0016	Ref: D1-3,D5-6,D21-23 DIODE SWITCHING 75V 200mA 6nS SOT-23 SM BAS16LT1	0 EA	.0	A	Y	N		15.000000
5	510 09-10-4401	Ref: D4,D7-20 TRANS NPN SMALL-SIGNAL MBT4401 SOT-23 SM	0 EA	.0	A	Y	N		3.000000
5	520 09-10-4403	Ref: Q1,Q3-4 TRANS PNP SMALL-SIGNAL MBT4403 SOT-23 SM	0 EA	.0	A	Y	N		1.000000
5	530 11-00-3000	Ref: Q2 CRYSTAL OSCILLATOR 30MHz 3.3V DIP4 TH	0 EA	.0	A	Y	N		1.000000
5	540 11-10-0501	Ref: Y1 FERRITE BEAD 500R @100mHZ 2.5A 1206 SM	0 EA	.0	A	Y	N		2.000000
5	550 11-10-0601	Ref: L5-6 FERRITE BEAD 600R @100MHZ 1206	0 EA	.0	A	Y	N		26.000000
5	560 12-02-1086	Ref: L1-4,L7-28 IC REG +3.3V TO-220 TH LM1086	0 EA	.0	A	Y	N		1.000000
5	570 12-02-7805	Ref: U26 IC REG +5v 1.5 Amp TH	0 EA	.0	A	Y	N		2.000000
5	580 12-02-7815	Ref: U8,U27 IC REG +15V 1AMP TO-220 TH	0 EA	.0	A	Y	N		1.000000
5	590 12-02-7915	Ref: U29 IC REG -15V 1AMP TO-220 TH 7915 Ref: U31	0 EA	.0	A	Y	N		1.000000

LINE 6
 Flexitone 3 Plus Parts List

5	600 12-54-0082	IC OP AMP DUAL TL082CD SO-8 SM	0 EA	.0	A	Y	N	3.000000
		Ref: U2-3,U33						
5	610 12-54-0084	IC OP AMP QUAD TL084CD SM	0 EA	.0	A	Y	N	6.000000
		Ref: U1,U7,U17,U28,U30,U32						
5	620 12-54-5538	IC OP-AMP DUAL LO NOISE NE5532AD8 SM SO-8	0 EA	.0	A	Y	N	1.000000
		Ref: U4						
5	630 12-62-4053	IC SWITCH-ANALOG TRIPLE 2-CHAN TSSOP-16 SM CD4053BPW	0 EA	.0	A	Y	N	2.000000
		Ref: U9,U13						
5	640 12-64-4528	IC CONVERTER 24B 48/96KHz AUDIO CODEC SM AK4528	0 EA	.0	A	Y	N	2.000000
		Ref: U5-6						
5	650 15-40-6138	IC 6N138 OPTO-ISOLATOR DIP-8 TH	0 EA	.0	A	Y	N	1.000000
		Ref: U24						
5	660 15-64-0014	IC 74HCT14 HEX INVERTER 6 SM	0 EA	.0	A	Y	N	1.000000
		Ref: U21						
5	670 15-65-0014	IC 74LCX14 LOW VOLTAGE CMOS INV HEX SCHMITT TRIGGER SM	0 EA	.0	A	Y	N	1.000000
		Ref: U19						
5	680 15-67-0179	IC RS-485 LOW PWR DIFF TRANSCEIVER SN75LBC179 SO-8 SM	0 EA	.0	A	Y	N	1.000000
		Ref: U25						
5	690 15-70-1610	IC DRAM 1M X 16 SDRAM HY57V161610DTC-7 SM	0 EA	.0	A	Y	N	2.000000
		Ref: U11-12						
5	700 15-86-1065	IC DSP SHARC ADSP-21065LKS-240 MQFP208 SM	0 EA	.0	A	Y	N	1.000000
		Ref: U14						
5	710 15-92-5810	IC RESET 5V 5% ACTIVE-HI SOT-23 SM LM810	0 EA	.0	A	Y	N	1.000000
		Ref: U18						
5	720 21-00-6616	JACK 1/4" TRS 6-PIN PCB MT HORIZ TH	0 EA	.0	A	Y	N	5.000000
		Ref: J3-6,J9						
5	730 21-04-5075	JACK DIN 5-PIN FEMALE MIDI PCB-MNT RT-ANG LN 05075	0 EA	.0	A	Y	N	2.000000
		Ref: P1-2						
5	740 21-08-0013	JACK XLR MALE PCB MNT RT ANG TH NEUTRIK-NC3MAH	Ref: J1-2					2.000000

LINE 6
 Flextone 3 Plus Parts List

5	750 21-16-0045	JACK RJ-45 8-PIN FEMALE PCB-MNT RT-ANG	0 EA	.0	A	Y	N	1.000000
		Ref: J7						
5	760 21-18-0002	TERMINAL SCREW PCB MOUNT RT ANGLE SNAP-IN TH	0 EA	.0	A	Y	N	1.000000
		Ref: BR2						
5	770 21-20-0205	HDR PCB MT SIL 5-PIN x 2mm FEMALE SHRD VERT MT TH	0 EA	.0	A	Y	N	1.000000
		Ref: H1						
5	780 21-20-1033	HDR PCB MT DIL 34-PIN 2x17x2mm MALE SHRD VERT MT TH N	0 EA	.0	A	Y	N	1.000000
		Ref: H4						
5	790 21-20-1568	HDR PCB MT SIL 8-PIN X .156 MALE VERT-MNT FRIC-LOCK	0 EA	.0	A	Y	N	1.000000
		Ref: H6						
5	800 21-20-2010	HDR PCB MT DIL 10-PIN 2x5x100 MALE SHRD VERT	0 EA	.0	A	Y	N	2.000000
		Ref: H5,H7						
5	810 21-44-0044	SOCKET 44 PIN PLCC - .050 LOW PROFILE SMT	0 EA	.0	A	Y	N	1.000000
		Ref: S1						
5	820 24-09-0222	SWITCH SLIDE DPDT	0 EA	.0	A	Y	N	1.000000
		Ref: SW1						
5	830 30-00-0607	SCREW 6-32 x 7/16IN w/LK WASH PPZ STL	0 EA	.0	A	Y	N	2.000000
		Ref: U29,U31						
5	840 30-06-0623	NUT HEX 6-32 w/CPTV STAR-WASHR	0 EA	.0	A	Y	N	2.000000
		Ref: U29,U31						
5	850 30-18-3030	CLIP GND PCB .30x.30x.07	0 EA	.0	A	Y	N	7.000000
		Ref: GF1-6,GF8						
5	860 30-51-0029	HEATSINK AL BLK ANODIZED	0 EA	.0	A	Y	N	1.000000
		Ref: P3						
5	870 30-51-0057	HEAT SINK, BLACK ANODIZED AL, WAKEFIELD #287-1AB	0 EA	.0	A	Y	N	1.000000
		Ref: P4						
5	890 45-01-0005	IC PROGRAMMED MPU CLASSIC SERIES v1.00 c/s=0x943F FT3	0 EA	.0	A	Y	N	1.000000
		Ref: U16						

LINE 6
 Flexitone 3 Plus Parts List

6	10 15-84-8752	IC MPU 87C51MB OTP w/2K byte SRAM and 64K ROM PLCC44	0	EA	.0	A	Y	N	1.000000
5	900 45-02-0007	IC PROGRAMMED FLASH v1.00 CLASSIC SERIES FT3	0	EA	.0	A	Y	N	1.000000
		Ref: U10							
6	10 15-78-0000	IC FLASH 4Meg 512Kx8/256x16 TSOP-48 SM AM29LV400	0	EA	.0	A	Y	N	1.000000
5	910 45-06-0001	IC PROGRAMMED PLD SHARCTONE REV B	0	EA	.0	A	Y	N	1.000000
		Ref: U15							
6	10 15-96-0000	IC PLD 64 MACROCELL/64IO TQFP100 SM M4A3-64/64-10VC	10	EA	.0	A	Y	N	1.000000
4	380 50-00-0234	ASSY OVERLAY w/ARTWORK U/I PNL CLASSIC SERIES FT3	10	EA	.0	A	Y	N	1.000000
4	390 50-00-0238	ASSY CAP SWITCH w/ARTWORK CLASSIC FT3	10	EA	.0	A	Y	N	1.000000
5	10 30-27-0066	SWITCH CAP 6.4x.63x.55	0	EA	.0	A		N	1.000000

LINE 6
 Flextone 3 212 Parts List

Items: 99-010-1315

Level	Seq	Component-Item	Component-Description	Qty-Per-Parent
=====				
Parent Item:		99-010-1315	AMP FLEXTONE 3 XL 212 US 120V	
1	90	21-37-1160	CABLE PWR UL/CSA SJT 8.2ft Blk EL-302 w/GND EL70	1.000000
1	220	40-00-0009	MANUAL USER CLASSIC COMBOS FT3	1.000000
1	225	40-00-0019	CHART PRESET CLASSIC SERIES FT3	1.000000
1	230	40-00-0073	SHEET ACCESSORY DOMESTIC	1.000000
1	235	40-10-0006B	FOAM CORNER PE-LAM 1.5pcf BOTTOM	4.000000
1	240	40-10-0006T	FOAM CORNER PE-LAM 1.5pcf TOP	4.000000
1	245	40-10-0054	CARTON GIFT w/ARTWORK CLASSIC 212 FT3	1.000000
1	250	40-10-0055	CARTON SHIPPING CLASSIC-212 FT3	1.000000
1	255	40-20-0010	BAG PLASTIC 43"x38"x.004 CLEAR	1.000000
1	260	40-20-0011	BAG PLASTIC 10 x 16 2 mil	1.000000
2	10	11-20-1208	SPEAKER 12" 8-OHM CELESTION T5235	2.000000
2	20	30-00-0015	SCREW 10-24 x1.0in TRUSS HD BLK OXIDE	8.000000
2	30	30-00-1032	SCREW 10-32 x 1-1/4 OVAL CTSK PN	8.000000
2	40	30-00-9358	SCREW #3 x1/2 IN OVAL CTSK PB (SUBST FOR 30-00-0358)	2.000000
2	50	30-03-0110	WASHER FINISHING #10 NICKEL	4.000000
2	60	30-60-0004	LOGO LINE 6 LRG 184.91x37.52mm	1.000000

LINE 6
 Flextone 3 212 Parts List

2	70 40-25-0101	LABEL BAR CODE S/N 2-PNL LTX 16 1125502	10 EA	.0 A Y N	1.000000
2	80 50-00-0232	ASSY CABINET SPEAKER 212 COMBO CLASSIC FT3C212	10 EA	.0 A Y N	1.000000
3	10 30-00-0024	SCREW WD #8 x 1-1/8IN PPB STL	10 EA	.0 A Y N	7.000000
3	20 30-00-0812	SCREW w/WAX 8 x 3/4 PTB	10 EA	.0 A Y N	4.000000
3	30 30-00-6839	SCR WD 10-12 x 7/8" PHIL PN STEEL	10 EA	.0 A Y N	4.000000
3	40 30-06-1024	NUT-T 10-24 X 5/16 STEEL	10 EA	.0 A Y N	8.000000
3	50 30-27-0022	PIPING VINYL EXTD W/EMB WELT OFF-WHITE MFR's P/N:EW18002	10 FT	.0 A Y N	3.030000
3	60 30-27-1010	VENT PLASTIC TRIM	10 EA	.0 A Y N	2.000000
3	70 30-30-1530	CORNER PROTECTOR 2-LEG CUT OUT PLASTIC BLK	10 EA	.0 A Y N	4.000000
3	90 30-36-0003	COVER VINYL BLACK 23oz. TAURUS/BLACK SHEETING	10 YD	.0 A Y N	1.470000
3	105 30-39-0005	GRILL-CLOTH TAN/BROWN/BLACK BASKET WEAVE	10 YD	.0 A Y N	.310000
3	110 30-75-0008	FOOT RUBBER 1.50" I.D. x .75"H BLACK	10 EA	.0 A Y N	4.000000
2	90 50-04-0200-2	ASSY E/M CHASSIS 120V CLASSIC 212 COMBO FT3	10 EA	.0 A Y N	1.000000
3	10 11-30-0002	XFMR 100V/120V 16.2x2/9.7/33.6 x2 w/CBL ASSY CHASSIS-MNT	10 EA	.0 A Y N	1.000000
3	20 24-18-2025	FUSE 2A 250V Slow Blo 5mmx20mm Littlefuse# H239 002 or equiv.	10 EA	.0 A Y N	2.000000
3	30 30-06-0011	NUT 8-32 w/NYLON LOCK STEEL-ZINC	10 EA	.0 A Y N	4.000000
4	10 21-14-0002	JACK IEC w/FUSE MALE 3-PIN PANEL-MNT SNAP IN VERT	10 EA	.0 A Y N	1.000000
4	20 21-30-0009-1	CAB DIL 10 PIN .100 PITCH 8.0 in	10 EA	.0 A Y N	1.000000
4	30 21-34-0014-1	CAB SIL 8 PINS .156 IN PITCH 5.0 IN LG	10 EA	.0 A Y N	1.000000

LINE 6
 Flexitone 3 212 Parts List

4	40 21-34-0015	CBL SIL 5-COND 26AWG 2mm x 151.0mm F-F Z-TYPE	10 EA	.0	A	Y	N	1.000000
4	50 21-34-0020-2	CBL SIL 4-PIN .156 x 15 IN	10 EA	.0	A	Y	N	1.000000
4	60 21-34-0021-4	CAB SIL 6 PIN .156 IN PITCH 6.5 IN	10 EA	.0	A	Y	N	1.000000
4	70 21-34-0031	CAB ASSY SIL 5 PIN 7.25 LG	10 EA	.0	A	Y	N	1.000000
4	80 21-34-0034	CAB ASSY SIL 2 7.0 IN	10 EA	.0	A	Y	N	1.000000
4	90 21-34-0035	CAB ASSY JUMPER 3.00 IN	10 EA	.0	A	Y	N	1.000000
4	100 21-34-0037	CAB ASSY 2 PIN 13.5 IN LG	10 EA	.0	A	Y	N	1.000000
4	110 21-34-1806	CBL S-T/EYE 1-COND 126mm STRND 18AWG GRN/YL EARTHING	10 EA	.0	A	Y	N	1.000000
4	120 21-34-9034	CBL DIL RIBBON 34-COND 28AWG 1.27mm 152.40mm	10 EA	.0	A	Y	N	1.000000
4	130 24-06-0001	SWITCH ROCKER 9.2mm 3 pins Chassis Mount	10 EA	.0	A	Y	N	1.000000
4	140 24-21-1122	CAP SWITCH	10 EA	.0	A	Y	N	1.000000
4	150 30-00-0018	SCREW SELF-TAP 6-32 x .75 PFZ	10 EA	.0	A	Y	N	4.000000
4	160 30-00-0035	SCREW 6-32 x 1" PPZ w/EXT TOOTH CAPTIVE WASHER	10 EA	.0	A	Y	N	1.000000
4	170 30-00-0606	SCREW 6-32 x 7/16 w/LK WASHER STL PPB	10 EA	.0	A	Y	N	4.000000
4	180 30-00-0607	SCREW 6-32 x 7/16IN w/LK WASH PPZ STL	10 EA	.0	A	Y	N	35.000000
4	190 30-00-4250	SCREW SHEET METAL SELF-TAP #4 x .250IN PPB	10 EA	.0	A	Y	N	4.000000
4	200 30-15-0004	SPACER .13THKx.630D NYLON	10 EA	.0	A	Y	N	1.000000
4	210 30-15-0014	SPACER .615 OD x .386 ID x .189 LG WHITE NYLON	10 EA	.0	A	Y	N	1.000000
4	220 30-15-0016	SPACER 6.4 x 3.7 x 15mm NYLON NATURAL	10 EA	.0	A	Y	N	1.000000

LINE 6
 Flextone 3 212 Parts List

4	230 30-27-0049	LT PIPE SHARCTONE 1.4 OD x .47 HIGH CLR POLY MINITEXTURE	10 EA	.0 A Y N	1.000000
4	240 30-27-0054	KNOB BI-DIRECTIONAL .800 DIA X .560H HIGH IMPACT ABS CREAM	10 EA	.0 A Y N	1.000000
4	250 30-27-0060	LIGHTPIPES 6 PIN .38 x .719 LEXAN HIGHLY POLISHED	10 EA	.0 A Y N	2.000000
4	260 30-27-0061	BUTTON .315 DIA x .325 HIGH POLYOXMETHYLENE BLACK W/MATTE	10 EA	.0 A Y N	2.000000
4	270 30-45-2000-2	KNOB POT PLASTIC CREAM w/BLACK INDICATOR LINE	10 EA	.0 A Y N	10.000000
4	280 30-51-0117	CHASSIS COVER 21.97x5.97x.62 .059 THK ELEC GALV STL	10 EA	.0 A Y N	1.000000
4	285 30-63-0010	FOAM w/ADHSV 26.5x 1/4x 1/16IN VOLARAPOLELEFIN	10 EA	.0 A Y N	2.000000
4	290 30-75-9600	GROMMET RUBBER 7/16-D x 1/16-GRV x 9/16IN GRV-DIA BLK	10 EA	.0 A Y N	1.000000
4	310 50-00-0146	PCBA USER INTERFACE FT3	10 EA	.0 A Y N	1.000000
5	10 01-24-1002	RES 10.0K 1% 0805	0 EA	.0 A Y N	2.000000
5	20 01-24-10R0	Ref: R13-14 RES 10.0R 1% 0805	0 EA	.0 A Y N	1.000000
5	30 01-24-48R7	Ref: R15 RES 48.7R 1% 0805	0 EA	.0 A Y N	16.000000
5	40 01-48-0103	Ref: R1-12,R16-19 POT MONO 10KB LINEAR TAPER 25 mm D-SHAFT	0 EA	.0 A Y N	9.000000
5	50 01-48-4103	Ref: R23-31 POT STEREO 10KB LINEAR TAPER 25mm	0 EA	.0 A Y N	1.000000
5	60 03-18-0105	Ref: R22 CAP ELEC 1uF 50V 20% RADIAL 5/11/5	0 EA	.0 A Y N	1.000000
5	70 03-18-0106	Ref: C30 CAP ELEC 10uF 50V 20% RADIAL 5/11/5	0 EA	.0 A Y N	1.000000
5	80 03-52-0473	Ref: C31 CAP X7R 47nF 50V 20% 0805 Ref: C1-29	0 EA	.0 A Y N	29.000000

LINE 6
Flexitone 3 212 Parts List

5	90 06-34-0016	DIODE SWITCHING 75V 200mA 6nS SOT-23 SM BAS16LT1	0 EA	.0	A	Y	N	12.000000
		Ref: D1-2,D3,D20-26,D37,D39						
5	100 09-06-7002	TRANS MOSFET N-CHAN 60V 7R5 SOT-23 SM 2N7002	0 EA	.0	A	Y	N	7.000000
		Ref: Q1-7						
5	110 12-64-1543	IC ADC 10 BIT 11 CHANNEL SM TLC1543CDW	0 EA	.0	A	Y	N	1.000000
		Ref: U4						
5	120 15-64-0595	IC 74HCT595 OCTAL SHIFT REG W/ 3-S SO-16 SM	0 EA	.0	A	Y	N	3.000000
		Ref: U1-3						
5	130 18-02-0001	LED YELLOW SUPERBRITE T1(3MM) TH L934SYC	0 EA	.0	A	Y	N	7.000000
		Ref: D27-30,D38,D40,D47						
5	140 18-22-0003	LED YELLOW SUPER 2.0x1.2x1.1mm AP2012SYC SM	0 EA	.0	A	N	N	12.000000
		Ref: D31-36,D41-46						
5	150 18-26-0001	LED TRI-STATE RD/GRN 635/565nm CLR LENS COM CATH SOT-23 SM	0 EA	.0	A	Y	N	16.000000
		Ref: D4-19						
5	160 21-20-1033	HDR PCB MT DIL 34-PIN 2x17x2mm MALE SHRD VERT MT TH	0 EA	.0	A	Y	N	1.000000
		Ref: H1						
5	170 24-12-0003	ENCODER 18-STEP w/PUSH SW 25mm D-SHFT METAL V-MNT PCB	0 EA	.0	A	Y	N	1.000000
		Ref: ENC1						
5	175 21-34-0036	CAB ASSY 4 PIN 2.54MM PITCH 2.165 LG	0 EA	.0	A	Y	N	1.000000
		Ref: H2 to H3						
5	180 24-31-1102	SWITCH TACT 6mm SQ 4-PIN TH W/ SQ 2.8mm ACTUATOR	0 EA	.0	A	Y	N	2.000000
		Ref: SW5,SW8						
5	190 24-31-1105	SWITCH TACT 6mm SQ 4-PIN TH	0 EA	.0	A	Y	N	7.000000
		Ref: SW1-4,SW6-7,SW9						
4	320 50-00-0147	PCBA POWER SUPPLY CLASSIC SERIES FT3	10 EA	.0	A	Y	N	1.000000
5	10 01-12-0101	RES CARBON FILM 100R 1/4W 5% TH Ref: R2	0 EA	.0	A	Y	N	1.000000

LINE 6
 Flexitone 3 212 Parts List

5	20 01-12-0242 TH	RES CARBON FILM 2.4K 1/4W 5%	0 EA	.0	A	Y	N	1.000000
		Ref: R3						
5	30 01-12-0561 TH	RES CARBON FILM 560R 1/4W 5%	0 EA	.0	A	Y	N	1.000000
		Ref: R4						
5	40 03-12-0107 6.3/11/5	CAP ELEC 100uF 16V 20% RADIAL	0 EA	.0	A	Y	N	1.000000
		Ref: C9						
5	50 03-12-0688 18/35.5/7.5	CAP ELEC 6800uF 16V 20% RADIAL	0 EA	.0	A	Y	N	1.000000
		Ref: C6						
5	60 03-16-0108 12.5/20/5	CAP ELEC 1000uF 35V 20% RADIAL	0 EA	.0	A	Y	N	2.000000
		Ref: C7-8						
5	70 03-18-0478 RADIAL 25/40/10 OR 22/35/10__	CAP ELEC 4700uF 50V 20% SNAPIN	0 EA	.0	A	Y	N	2.000000
		Ref: C4-5						
5	80 03-41-0224 POLYPROPYLENE 18/9.5/17.5/15	CAP X-CAP 0.22uF 275VAC 20%	0 EA	.0	A	Y	N	1.000000
		Ref: C3						
5	90 03-75-0102 CER DISC 7D/7/7.5	CAP Y-CAP 1nF 250VAC 20% TH	0 EA	.0	A	Y	N	2.000000
		Ref: C1-2						
5	100 06-04-4002 DO-41 AXIAL TH 1N4002	DIODE SMALL-SIGNAL 100V 30A	0 EA	.0	A	Y	N	8.000000
		Ref: D2-9						
5	110 06-16-0008 4-PIN SIL TH KBU8J	DIODE BRIDGE-RECT 8A 600V	0 EA	.0	A	Y	N	1.000000
		Ref: D1						
5	120 11-10-2020 ISI LB2/1.5ZA	CHOKE WIDE BAND 1-5 TURNS	0 EA	.0	A	Y	N	2.000000
		Ref: L1-2						
5	130 12-02-1088	IC REG ADJ TO-220 TH LM1086	0 EA	.0	A	Y	N	1.000000
		Ref: U1						
5	140 21-20-1566 MALE VERT-MNT FRIC-LOCK	HDR PCB MT SIL 6-PIN X .156	0 EA	.0	A	Y	N	1.000000
		Ref: J5						
5	150 21-20-1568 MALE VERT-MNT FRIC-LOCK	HDR PCB MT SIL 8-PIN X .156	0 EA	.0	A	Y	N	2.000000
		Ref: J4,J6						
5	160 21-20-2075	HDR PCB MT SIL 2-PIN X 7.5mm MALE VERT MT FRIC-LOCK TH					Ref: J3	1.000000

LINE 6
 Flexitone 3 212 Parts List

5	170 21-20-3123	HDR PCB MT SIL 3-PIN X 7.92mm	0 EA	.0	A	Y	N	.0000	2.000000
5	182 30-00-0607	Ref: J1-2 SCREW 6-32 x 7/16IN w/LK WASH	0 EA	.0	A	Y	N		1.000000
		PPZ STL							
5	184 30-06-0623	Ref: U1 to P1 NUT HEX 6-32 w/CPTV STAR-WASHR	0 EA	.0	A	Y	N		1.000000
5	190 30-51-0029	Ref: U1 to P1 HEATSINK AL BLK ANODIZED	0 EA	.0	A	Y	N		1.000000
		Ref: P1							
4	330 50-00-0149	PCBA SPEAKER OUT 212-COMBO	10 EA	.0	A	Y	N		1.000000
		CLASSIC FT3							
5	10 01-12-0000	RES CARBON FILM OR 1/4W 5% TH	0 EA	.0	A	Y	N		1.000000
5	20 03-00-0104	Ref: JP1 CAP CER DISC 100nF 50V 20% TH	0 EA	.0	A	Y	N		2.000000
		(0.1uF)							
5	30 21-00-6616	Ref: C1,C2 JACK 1/4" TRS 6-PIN PCB MT	0 EA	.0	A	Y	N		2.000000
		HORIZ TH							
5	40 21-20-1564	Ref: J1-2 HDR PCB MT SIL 4-PIN X .156	0 EA	.0	A	Y	N		1.000000
		MALE VERT-MNT FRIC-LOCK							
5	50 21-20-1565	Ref: H2 HDR PCB MT SIL 5-PIN X .156	0 EA	.0	A		N		1.000000
		MALE VERT-MNT FRIC-LOCK							
5	60 30-18-3030	Ref: H1 CLIP GND PCB .30x.30x.07	0 EA	.0	A	Y	N		2.000000
		Ref: BK1-2							
4	340 50-00-0163	ASSY AMP POWER w/HEATSINK &	10 EA	.0	A	Y	N		1.000000
		HARDWARE							
5	10 30-00-0010	SCREW 8-32 x 9/16 SKT-CAP	10 EA	.0	A	Y	N		2.000000
		S-STL Ref: Clamps							

LINE 6
 Flexitone 3 212 Parts List

5	20 30-00-0028	SCREW 8-32 x 5/16" SHCS	10 EA	.0 A N	1.000000
5	30 30-03-0002	Ref: Support Bracket BR1 WASHER #8 .293 x.174x .040 STEEL	10 EA	.0 A Y N	3.000000
5	40 30-06-0007	Ref: (2) Clamps (1) Support bracket NUT .344 HEX 8-32 STEEL ZINC	10 EA	.0 A Y N	3.000000
5	50 30-51-0059-3	Ref: (2) clamps (1) support bracket HEATSINK 4.0 IN LG AL ALY BLK ANODIZE	10 EA	.0 A Y N	1.000000
5	60 30-51-0073	Ref: POWER AMP ASSY. CLAMP HEATSINK TO-220 1.3x.45x.35" CR STEEL 1018	10 EA	.0 A Y N	2.000000
5	70 30-51-0105	Ref: POWER AMP ASSY. BRKT SUPPORT .565 x .530 x .690 EG STEEL	10 EA	.0 A Y N	1.000000
5	80 30-63-0006	Ref: BR1 PAD THERMAL 6mil 25mm x 30mm w/ADHESIVE 4KVAC VTM-O	10 EA	.0 A Y N	2.000000
6	10 01-20-02R2	Ref: u1-2 RES METAL OXIDE 2.2R 2W 5% TH S/B 01-22-02R2	10 EA	.0 A Y N	2.000000
6	20 01-22-0R47	Ref: R5-6 RES METAL OXIDE 0.47R 2W 5% TH	10 EA	.0 A Y N	4.000000
6	30 01-24-1243	Ref: R3-4,R7-8 RES 124K 1% 0805	10 EA	.0 A N	2.000000
6	40 01-60-0203	Ref: R1,R9 RES NETWORK ISOLATED 20K 16P 8R .3W 2% CER SOP-16 SM	10 EA	.0 A Y N	2.000000
6	50 03-18-0106	Ref: R2,R10 CAP ELEC 10uF 50V 20% RADIAL 5/11/5	10 EA	.0 A Y N	2.000000
6	60 03-18-0336	Ref: C2,C12 CAP ELEC 33uF 50V 20% RADIAL 5/11/5	10 EA	.0 A Y N	2.000000
6	70 03-22-0476	Ref: C6,C16 CAP ELEC 47uF 100V 20% RADIAL 10/15/5	10 EA	.0 A Y N	2.000000
6	80 03-24-1104	Ref: C8,C10 CAP MET-POLY 0.1uF 100VDC 5% Ref: C7,C9	10 EA		2.000000

LINE 6
 Flexitone 3 212 Parts List

6	03-52-0101	CAP X7R 100pF 50V 20% 0805	10 EA	.0	A	Y	N	2.000000
6	03-52-0470	Ref: C1,C11 CAP X7R 47pF 50V 20% 0805	10 EA	.0	A	Y	N	2.000000
6	110 03-52-1103	Ref: C3,C13 CAP X7R 10nF 100V 10% 0805	10 EA	.0	A	Y	N	4.000000
6	120 12-30-7293	Ref: C4-5,C14-15 IC POWER-AMP 100W TDA7293 TO-220/15 TH	10 EA	.0	A	Y	N	2.000000
6	130 21-20-1565	Ref: U1-2 HDR PCB MT SIL 5-PIN X .156 MALE VERT-MNT FRIC-LOCK	10 EA	.0	A		N	1.000000
6	140 21-20-1566	Ref: H2 HDR PCB MT SIL 6-PIN X .156 MALE VERT-MNT FRIC-LOCK	10 EA	.0	A	Y	N	1.000000
6	150 21-20-2010	Ref: H3 HDR PCB MT DIL 10-PIN 2x5x100 MALE SHRD VERT	10 EA	.0	A	Y	N	1.000000
		Ref: H1						
4	350 50-00-0169	PCBA INPUT GUITAR SHARCTONE SERIES	10 EA	.0	A	Y	N	1.000000
5	10 01-00-0102	RES 1K 5% 0805	10 EA	.0	A	Y	N	1.000000
5	20 01-00-0105	Ref: R4 RES 1M 5% 0805	10 EA	.0	A	Y	N	1.000000
5	30 01-24-1002	Ref: R3 RES 10.0K 1% 0805	10 EA	.0	A	Y	N	1.000000
5	40 01-24-4991	Ref: R1 RES 4.99K 1% 0805	10 EA	.0	A	Y	N	1.000000
5	50 01-24-8870	Ref: R2 RES 887R 1% 0805	10 EA	.0	A	Y	N	1.000000
5	60 03-46-0104	Ref: R5 CAP X7R 0.1uF 50V 20% 1206	Ref: C1					1.000000

LINE 6
 Flexstone 3 212 Parts List

5	70 03-50-0470	CAP NPO 47pF 50V 10% 0805	10	EA	.0	A	Y	N	1.000000
		Ref: C4							
5	80 03-52-0473	CAP X7R 47nF 50V 20% 0805	10	EA	.0	A	Y	N	3.000000
		Ref: C2-3,C5							
5	90 11-10-0601	FERRITE BEAD 600R @100MHZ 1206	10	EA	.0	A	Y	N	1.000000
		Ref: L1							
5	100 12-54-0134 SO-8	IC OP AMP - OPA134UA SM	10	EA	.0	A	Y	N	1.000000
		Ref: U1							
5	110 21-00-6617	JACK 1/4" TRS 6-PIN PCB MT HORIZ TH W/CHROME HRDWARE	10	EA	.0	A	Y	N	1.000000
		Ref: J3							
5	120 21-20-0205	HDR PCB MT SIL 5-PIN x 2mm FEMALE SHRD VERT MT TH	10	EA	.0	A	Y	N	1.000000
		Ref: J1							
5	130 30-18-3030	CLIP GND PCB .30x.30x.07	10	EA	.0	A	Y	N	1.000000
		Ref: J2							
4	360 50-00-0206	ASSY CHASSIS w/ARTWORK CLASSIC 212 / 112+	10	EA	.0	A	Y	N	1.000000
5	10 30-51-0116	CHASSIS 22x4.0x6.0 .063 THK ECEC GALV STL BLK PWD COAT	0	EA	.0	A	Y	N	1.000000
4	370 50-00-0217 FT3	PCBA MAIN CLASSIC 112+ / 212	10	EA	.0	A	Y	N	1.000000
5	10 01-00-0000	RES 0R 5% 0805	0	EA	.0	A	Y	N	1.000000
		Ref: R66							
5	20 01-00-0155	RES 1.5M 5% 0805	0	EA	.0	A	Y	N	1.000000
		Ref: R89							
5	30 01-24-1000	RES 100R 1% 0805	0	EA	.0	A	Y	N	3.000000
		Ref: R64,R67,R108							
5	40 01-24-1001	RES 1.00K 1% 0805	0	EA	.0	A	Y	N	19.000000
		Ref: R8,R21,R54-56,R86,R92,R95-96,R113,R115,R120,R130,R144-145, R153-154,R157-158							

LINE 6
Flexitone 3 212 Parts List

=====

5	50 01-24-1002	RES 10.0K 1% 0805	0 EA	.0	A	Y	N	27.000000
		Ref: R10,R23,R51-52,R59-60,R68,R71,R73-74,R76-77,R80,R83,R103, R110-111,R116-118,R128,R131-132,R134,R136,R141,R147						
5	60 01-24-1003	RES 100K 1% 0805	0 EA	.0	A	Y	N	11.000000
		Ref: R97-98,R135,R137,R165-166,R168-172						
5	70 01-24-1004	RES 1.00M 1% 0805	0 EA	.0	A	Y	N	6.000000
		Ref: R72,R75,R85,R88,R91,R94						
5	80 01-24-1102	RES 11.0K 1% 0805	0 EA	.0	A	Y	N	4.000000
		Ref: R99-100,R106-107						
5	90 01-24-1241	RES 1.24K 1% 0805	0 EA	.0	A	Y	N	2.000000
		Ref: R4,R9						
5	100 01-24-15R0	RES 15R 1% 0805	0 EA	.0	A	Y	N	2.000000
		Ref: R123,R142						
5	110 01-24-1822	RES 18.2K 1% 0805	0 EA	.0	A		N	4.000000
		Ref: R2-3,R6,R13						
5	120 01-24-2000	RES 200R 1% 0805	0 EA	.0	A		N	1.000000
		Ref: R150						
5	130 01-24-2001	RES 2.00K 1% 0805	0 EA	.0	A	Y	N	16.000000
		Ref: R7,R15,R19,R24-26,R32,R34-38,R44-45,R47-48						
5	140 01-24-2002	RES 20.0K 1% 0805	0 EA	.0	A	Y	N	2.000000
		Ref: R133,R149						
5	150 01-24-2210	RES 221R 1% 0805	0 EA	.0	A	Y	N	3.000000
		Ref: R90,R101-102						
5	160 01-24-2211	RES 2.21K 1% 0805	0 EA	.0	A	Y	N	2.000000
		Ref: R61,R62						
5	170 01-24-2741	RES 2.74K 1% 0805	0 EA	.0	A	Y	N	2.000000
		Ref: R17-18						
5	180 01-24-2801	RES 2.80K 1% 0805	Ref: R79,R82					2.000000

LINE 6
 Flextone 3 212 Parts List

5	190 01-24-3011	RES 3.01K 1% 0805	0 EA	.0	A	Y	N	6.000000
		Ref: R20,R87,R93,R112,R114,R148						
5	200 01-24-3651	RES 3.65K 1% 0805	0 EA	.0	A	Y	N	2.000000
		Ref: R57-58						
5	210 01-24-4321	RES 4.32K 1% 0805	0 EA	.0	A	Y	N	1.000000
		Ref: R33						
5	220 01-24-4750	RES 475R 1% 0805	0 EA	.0	A	Y	N	3.000000
		Ref: R104-105,R109						
5	230 01-24-4751	RES 4.75K 1% 0805	0 EA	.0	A	Y	N	10.000000
		Ref: R53,R69,R140,R146,R151-152,R159-162						
5	240 01-24-47R5	RES 47.5R 1% 0805	0 EA	.0	A	Y	N	8.000000
		Ref: R119,R124-126,R129,R138-139,R143						
5	250 01-24-5110	RES 511R 1% 0805	0 EA	.0	A	Y	N	1.000000
		Ref: R12						
5	260 01-24-5R11	RES 5.11R 1% 0805	0 EA	.0	A	Y	N	6.000000
		Ref: R27,R39,R43,R46,R163-164						
5	270 01-24-6041	RES 6.04K 1% 0805	0 EA	.0	A	Y	N	1.000000
		Ref: R22						
5	280 01-24-6650	RES 665R 1% 0805	0 EA	.0	A	Y	N	2.000000
		Ref: R63,R65						
5	290 01-24-6810	RES 681R 1% 0805	0 EA	.0	A	Y	N	4.000000
		Ref: R1,R16,R40,R49						
5	310 01-24-7500	RES 750R 1% 0805	0 EA	.0	A	Y	N	2.000000
		Ref: R78,R81						
5	320 01-24-7501	RES 7.50K1% 0805	0 EA	.0	A	Y	N	1.000000
		Ref: R5						
5	330 01-24-8253	RES 825K 1% 0805	0 EA	.0	A	Y	N	1.000000
		Ref: R84						

LINE 6
 Flextone 3 212 Parts List

5	340 01-24-8871	RES 8.87K 1% 0805	0 EA	.0	A	Y	N	8.000000
5	350 01-48-9103	Ref: R11,R14,R28-31,R41-42 POT STEREO 10KA AUDIO TAPER HORIZ MT 25mm RND PLASTIC	0 EA	.0	A	Y	N	1.000000
5	360 03-10-6108	Ref: POT1 CAP ELEC 1000uF 6.3V 20% RADIAL 8/11.5/5	0 EA	.0	A	Y	N	2.000000
5	370 03-12-0337	Ref: C18,C24 CAP ELEC 330uF 16V 20% RADIAL 8/11.5/5	0 EA	.0	A	Y	N	2.000000
5	380 03-18-0105	Ref: C48,C79 CAP ELEC 1uF 50V 20% RADIAL 5/11/5	0 EA	.0	A	Y	N	14.000000
5	390 03-18-0106	Ref: C3-4,C8-9,C16-17,C19,C40,C46-47,C63-64,C73-74 CAP ELEC 10uF 50V 20% RADIAL 5/11/5	0 EA	.0	A	Y	N	14.000000
5	400 03-18-0474	Ref: C15,C28,C38,C44,C57-58,C62,C66,C71-72,C76,C78,C82,C88 CAP ELEC 0.47uF 50V 20% RADIAL 5/11/5	0 EA	.0	A	Y	N	1.000000
5	410 03-50-0102	Ref: C59 CAP NPO 1nF 50V 5% 0805	0 EA	.0	A	Y	N	4.000000
5	420 03-50-0272	Ref: C70,C106,C110,C118 CAP NPO 2.7nF 50V 5% 0805	0 EA	.0	A	Y	N	4.000000
5	430 03-50-0391	Ref: C7,C27,C31-32 CAP NPO 390pF 50v 5% 0805	0 EA	.0	A	Y	N	8.000000
5	435 03-52-0101	Ref: C2,C6,C10,C12-14,C20,C23 CAP X7R 100pF 50V 20% 0805	0 EA	.0	A	Y	N	2.000000
5	440 03-52-0102	Ref: R132,R138 CAP X7R 1nF 50V 20% 0805	0 EA	.0	A	Y	N	15.000000
5	450 03-52-0104	Ref: C34,C43,C96-97,C99,C103-105,C114,C121,C126,C148-149,C154, C158 CAP X7R 0.1uF 50V 20% 0805	0 EA	.0	A	Y	N	12.000000
5	460 03-52-0221	Ref: C54,C56,C95,C100-101,C117,C120,C125,C131,C137,C147,C152 CAP X7R 220pF 50V 20% 0805 Ref: C1,C5,C49-50,C77,C81	0 EA	.0	A	Y	N	6.000000

LINE 6
 Flexstone 3 212 Parts List

5	470 03-52-0222	CAP X7R 2.2nF 50V 20% 0805	0 EA	.0	A	Y	N	2.000000
5	480 03-52-0473	Ref: C26,C36 CAP X7R 47nF 50V 20% 0805	0 EA	.0	A	Y	N	63.000000
5	490 06-20-0099	Ref: C11,C21-22,C25,C29-30,C33,C35,C37,C39,C41-42,C45,C51-53,C55, C60-61,C65,C67-69,C75,C80,C83,86-87,89-94,102,C115,C122-124, C127-130,C133-136,C139-146,C150-151,C153,C155-157,C159-160 DIODE GEN PUR DUAL 70V 215mA 6nS SOT-23 SM BAV99	0 EA	.0	A	Y	N	8.000000
5	500 06-34-0016	Ref: D1-3,D5-6,D21-23 DIODE SWITCHING 75V 200mA 6nS SOT-23 SM BAS16LT1	0 EA	.0	A	Y	N	15.000000
5	510 09-10-4401	Ref: D4,D7-20 TRANS NPN SMALL-SIGNAL MBT4401 SOT-23 SM	0 EA	.0	A	Y	N	3.000000
5	520 09-10-4403	Ref: Q1,Q3-4 TRANS PNP SMALL-SIGNAL MBT4403 SOT-23 SM	0 EA	.0	A	Y	N	1.000000
5	530 11-00-3000	Ref: Q2 CRYSTAL OSCILLATOR 30MHz 3.3V DIP4 TH	0 EA	.0	A	Y	N	1.000000
5	540 11-10-0501	Ref: Y1 FERRITE BEAD 500R @100mHZ 2.5A 1206 SM	0 EA	.0	A	Y	N	2.000000
5	550 11-10-0601	Ref: L5-6 FERRITE BEAD 600R @100MHZ 1206	0 EA	.0	A	Y	N	26.000000
5	560 12-02-1086	Ref: L1-4,L7-28 IC REG +3.3V TO-220 TH LM1086	0 EA	.0	A	Y	N	1.000000
5	570 12-02-7805	Ref: U26 IC REG +5v 1.5 Amp TH	0 EA	.0	A	Y	N	2.000000
5	580 12-02-7815	Ref: U8,U27 IC REG +15V 1AMP TO-220 TH	0 EA	.0	A	Y	N	1.000000
5	590 12-02-7915	Ref: U29 IC REG -15V 1AMP TO-220 TH 7915	0 EA	.0	A	Y	N	1.000000
5	600 12-54-0082	Ref: U31 IC OP AMP DUAL TL082CD SO-8 SM Ref: U2-3,U33	0 EA	.0	A	Y	N	3.000000

LINE 6
 Flexstone 3 212 Parts List

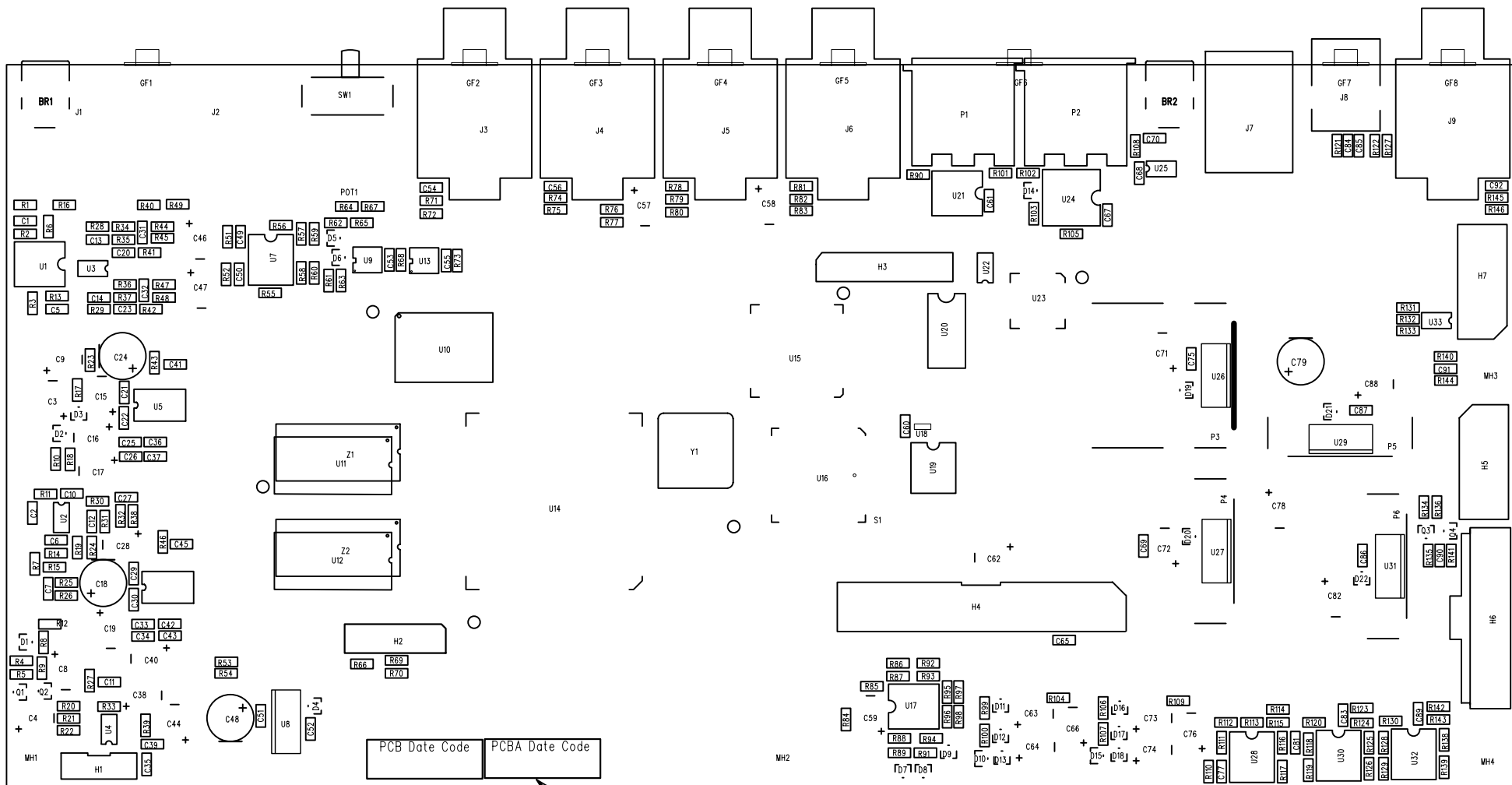
5	610 12-54-0084	IC OP AMP QUAD TL084CD SM	0 EA	.0	A	Y	N	6.000000
		Ref: U1,U7,U17,U28,U30,U32						
5	620 12-54-5538	IC OP-AMP DUAL LO NOISE NE5532AD8 SM SO-8	0 EA	.0	A	Y	N	1.000000
		Ref: U4						
5	630 12-62-4053	IC SWITCH-ANALOG TRIPLE 2-CHAN TSSOP-16 SM CD4053BPW	0 EA	.0	A	Y	N	2.000000
		Ref: U9,U13						
5	640 12-64-4528	IC CONVERTER 24B 48/96KHz AUDIO CODEC SM AK4528	0 EA	.0	A	Y	N	2.000000
		Ref: U5-6						
5	650 15-40-6138	IC 6N138 OPTO-ISOLATOR DIP-8 TH	0 EA	.0	A	Y	N	1.000000
		Ref: U24						
5	660 15-64-0014	IC 74HCT14 HEX INVERTER 6 SM	0 EA	.0	A	Y	N	1.000000
		Ref: U21						
5	670 15-65-0014	IC 74LCX14 LOW VOLTAGE CMOS INV HEX SCHMITT TRIGGER SM	0 EA	.0	A	Y	N	1.000000
		Ref: U19						
5	680 15-67-0179	IC RS-485 LOW PWR DIFF TRANSCEIVER SN75LBC179 SO-8 SM	0 EA	.0	A	Y	N	1.000000
		Ref: U25						
5	690 15-70-1610	IC DRAM 1M X 16 SDRAM HY57V161610DTC-7 SM	0 EA	.0	A	Y	N	2.000000
		Ref: U11-12						
5	700 15-86-1065	IC DSP SHARC ADSP-21065LKS-240 MQFP208 SM	0 EA	.0	A	Y	N	1.000000
		Ref: U14						
5	710 15-92-5810	IC RESET 5V 5% ACTIVE-HI SOT-23 SM LM810	0 EA	.0	A	Y	N	1.000000
		Ref: U18						
5	720 21-00-6616	JACK 1/4" TRS 6-PIN PCB MT HORIZ TH	0 EA	.0	A	Y	N	5.000000
		Ref: J3-6,J9						
5	730 21-04-5075	JACK DIN 5-PIN FEMALE MIDI PCB-MNT RT-ANG LN 05075	0 EA	.0	A	Y	N	2.000000
		Ref: P1-2						
5	740 21-08-0013	JACK XLR MALE PCB MNT RT ANG TH NEUTRIK-NC3MAH	0 EA	.0	A	Y	N	2.000000
		Ref: J1-2						

LINE 6
 Flexitone 3 212 Parts List

5	750 21-16-0045	JACK RJ-45 8-PIN FEMALE PCB-MNT RT-ANG	0 EA	.0	A	Y	N	1.000000
		Ref: J7						
5	760 21-18-0002	TERMINAL SCREW PCB MOUNT RT ANGLE SNAP-IN TH	0 EA	.0	A	Y	N	1.000000
		Ref: BR2						
5	770 21-20-0205	HDR PCB MT SIL 5-PIN x 2mm FEMALE SHRD VERT MT TH	0 EA	.0	A	Y	N	1.000000
		Ref: H1						
5	780 21-20-1033	HDR PCB MT DIL 34-PIN 2x17x2mm MALE SHRD VERT MT TH	0 EA	.0	A	Y	N	1.000000
		Ref: H4						
5	790 21-20-1568	HDR PCB MT SIL 8-PIN X .156 MALE VERT-MNT FRIC-LOCK	0 EA	.0	A	Y	N	1.000000
		Ref: H6						
5	800 21-20-2010	HDR PCB MT DIL 10-PIN 2x5x100 MALE SHRD VERT	0 EA	.0	A	Y	N	2.000000
		Ref: H5,H7						
5	810 21-44-0044	SOCKET 44 PIN PLCC - .050 LOW PROFILE SMT	0 EA	.0	A	Y	N	1.000000
		Ref: S1						
5	820 24-09-0222	SWITCH SLIDE DPDT	0 EA	.0	A	Y	N	1.000000
		Ref: SW1						
5	830 30-00-0607	SCREW 6-32 x 7/16IN w/LK WASH PPZ STL	0 EA	.0	A	Y	N	2.000000
		Ref: U29,U31						
5	840 30-06-0623	NUT HEX 6-32 w/CPTV STAR-WASHR	0 EA	.0	A	Y	N	2.000000
		Ref: U29,U31						
5	850 30-18-3030	CLIP GND PCB .30x.30x.07	0 EA	.0	A	Y	N	7.000000
		Ref: GF1-6,GF8						
5	860 30-51-0029	HEATSINK AL BLK ANODIZED	0 EA	.0	A	Y	N	1.000000
		Ref: P3						
5	870 30-51-0057	HEAT SINK, BLACK ANODIZED AL, WAKEFIELD #287-1AB	0 EA	.0	A	Y	N	1.000000
		Ref: P4						
5	890 45-01-0005	IC PROGRAMMED MPU CLASSIC SERIES v1.00 c/s=0x943F FT3	0 EA	.0	A	Y	N	1.000000
		Ref: U16						
6	10 15-84-8752	IC MPU 87C51MB OTP w/2K byte SRAM and 64K ROM PLCC44	0 EA	.0	A	Y	N	1.000000

LINE 6
 Flextone 3 212 Parts List

5	900 45-02-0007	IC PROGRAMMED FLASH v1.00 CLASSIC SERIES FT3	0 EA	.0	A	Y	N	1.000000
		Ref: U10						
6	10 15-78-0000	IC FLASH 4Meg 512Kx8/256x16 TSOP-48 SM AM29LV400	0 EA	.0	A	Y	N	1.000000
5	910 45-06-0001	IC PROGRAMMED PLD SHARCTONE REV B	0 EA	.0	A	Y	N	1.000000
		Ref: U15						
6	10 15-96-0000	IC PLD 64 MACROCELL/64IO TQFP100 SM M4A3-64/64-10VC	10 EA	.0	A	Y	N	1.000000
4	380 50-00-0234	ASSY OVERLAY w/ARTWORK U/I PNL CLASSIC SERIES FT3	10 EA	.0	A	Y	N	1.000000
4	390 50-00-0238	ASSY CAP SWITCH w/ARTWORK CLASSIC FT3	10 EA	.0	A	Y	N	1.000000
5	10 30-27-0066	SWITCH CAP 6.4x.63x.55	0 EA	.0	A		N	1.000000



Place PCBA date code here per note

DATE CODE REQUIREMENTS

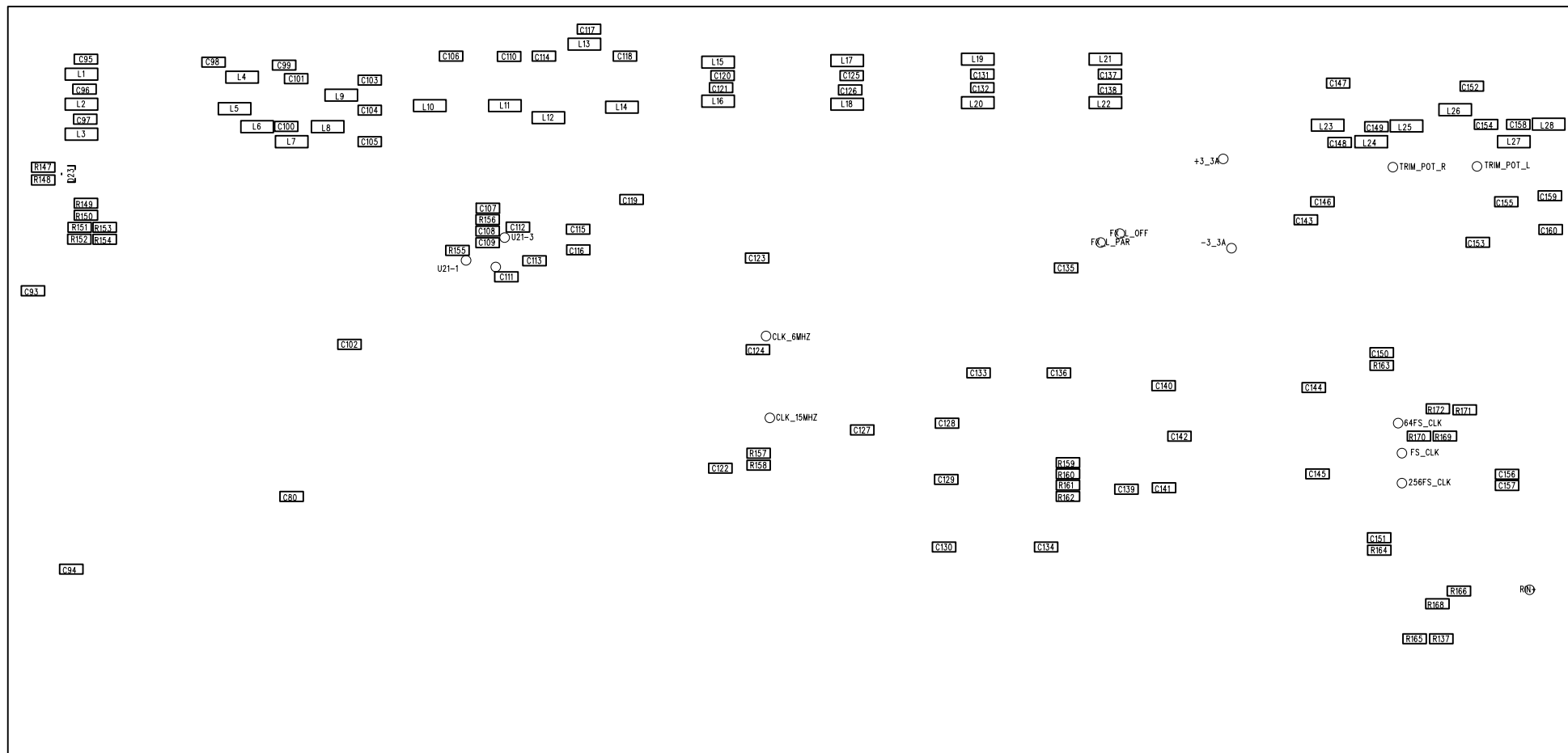
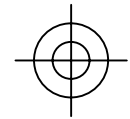
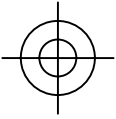
- 1) Silkscreen date code for bare PCB fabrication in area marked on drawing.
- 2) Place date code stamp or sticker for finished PCBA in area marked on drawing.

ASSEMBLY TOP

THE INFORMATION CONTAINED IN THIS DRAWING IS THE SOLE PROPERTY OF LINE 6 INC. ANY REPRODUCTION IN PART OR WHOLE WITHOUT THE WRITTEN PERMISSION OF LINE 6 INC. IS PROHIBITED

COMPANY:		LINE 6	
PROGRAM: PADS POWER PCB V5.0			
FILE: \Sharctone Product Family\Duet 212 Combo\Electrical\PCB\Sharctone Family Main\REV E\SHARCTONE MAIN REV E.pcb			
SCALE: 1:1	REV: E	DATE: DECEMBER 20, 2002	
TITLE:		Sharctone Main Board	

PART # 35-00-0121

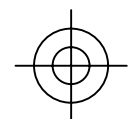


ASSEMBLY BOTTOM

THE INFORMATION CONTAINED IN THIS DRAWING IS THE SOLE PROPERTY OF LINE 6 INC. ANY REPRODUCTION IN PART OR WHOLE WITHOUT THE WRITTEN PERMISSION OF LINE 6 INC. IS PROHIBITED

COMPANY: LINE 6	
PROGRAM: PADS POWER PCB V5.0	
FILE: /Sharctone Product Family/Duet 212 Combo/Electrical/PCB/Sharctone Family Main/REV E/SHARCTONE MAIN REV E.pcb	
SCALE: 1:1	REV: E
DATE: DECEMBER 20, 2002	
TITLE: Sharctone Main Board	

PART # 35-00-0121

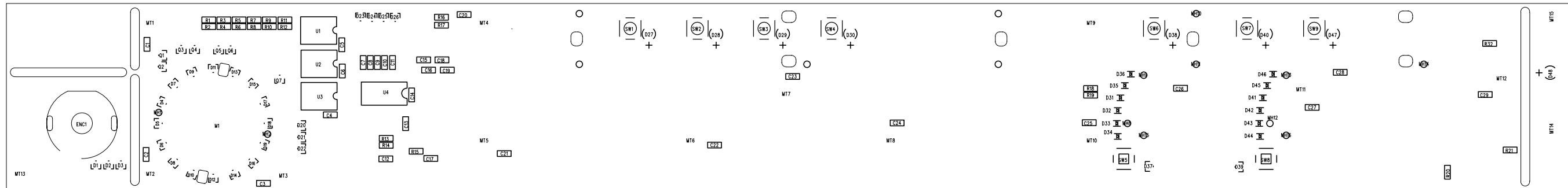
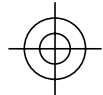


ASSEMBLY DRAWING BOTTOM

THE INFORMATION CONTAINED IN THIS DRAWING IS THE SOLE PROPERTY OF LINE 6 INC. ANY REPRODUCTION IN PART OR WHOLE WITHOUT THE WRITTEN PERMISSION OF LINE 6 INC. IS PROHIBITED

COMPANY: LINE 6	
PROGRAM: PADS POWER PCB V5.0	
FILE: \Sharctone Product Family\Duet 212 Combo\Electrical\PCB\Sharctone Family Main\REV E\SHARCTONE MAIN REV E.pcb	
SCALE: 1:1	REV: E
DATE: DECEMBER 20, 2002	
TITLE: Sharctone Main Board	

PART # 35-00-0121



ASSEMBLY TOP

THE INFORMATION CONTAINED IN THIS DRAWING IS THE SOLE PROPERTY OF LINE 6 INC. ANY REPRODUCTION IN PART OR WHOLE WITHOUT THE WRITTEN PERMISSION OF LINE 6 INC. IS PROHIBITED

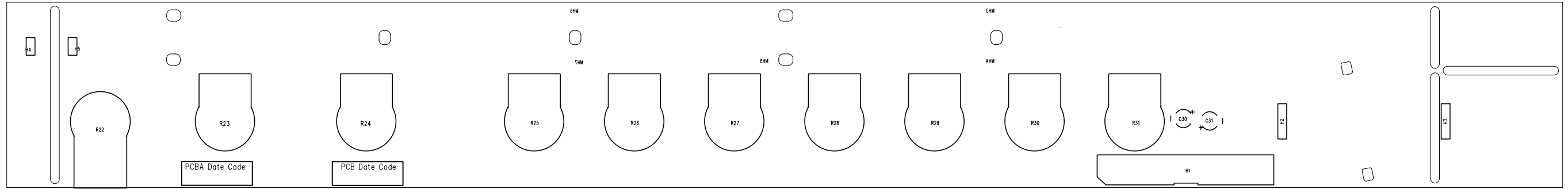
COMPANY:  LINE 6 INC.

PROGRAM: PADS POWER PCB V5.0

FILE: FT3 Front Panel Rev B.pcb

SCALE: NONE REV: B DATE: JANUARY 29, 2003

TITLE: FT3 FRONT PANEL DRAWING NO: 35-00-0146



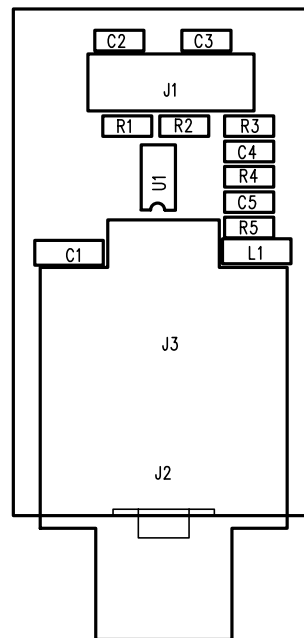
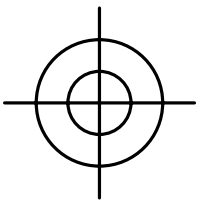
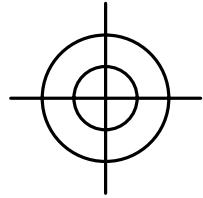
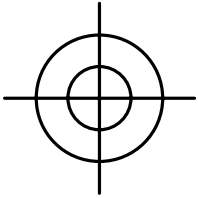
Place PCBA Date Code Here

ASSEMBLY BOTTOM

THE INFORMATION CONTAINED IN THIS DRAWING IS THE SOLE PROPERTY OF LINE 6 INC. ANY REPRODUCTION IN PART OR WHOLE WITHOUT THE WRITTEN PERMISSION OF LINE 6 INC. IS PROHIBITED	
COMPANY: LINE 6 LINE 6 INC.	
PROGRAM: PADS POWER PCB V5.0	
FILE: FT3 Front Panel Rev B.dcp	
SCALE: NONE	REV: B
DATE: JANUARY 29, 2003	
TITLE: FT3 FRONT PANEL	DRAWING NO: 35-00-0146

- DATE CODE REQUIREMENTS
- 1) Silkscreen date code for bare PCB fabrication in area marked on drawing.
 - 2) Place date code stamp or sticker for finished PCBA in area marked on drawing.

THE INFORMATION CONTAINED IN THIS DRAWING IS THE SOLE PROPERTY OF LINE 6 INC. ANY REPRODUCTION IN PART OR WHOLE WITHOUT THE WRITTEN PERMISSION OF LINE 6 INC. IS PROHIBITED	
COMPANY: LINE 6 LINE 6 INC.	
PROGRAM: PADS POWER PCB V5.0	
FILE: FT3 Front Panel Rev B.pcb	
SCALE: NONE	REV: B
DATE: JANUARY 29, 2003	
TITLE: FT3 FRONT PANEL	DRAWING NO: 35-00-0146



ASSEMBLY TOP

THE INFORMATION CONTAINED IN THIS DRAWING IS THE SOLE PROPERTY OF
LINE 6 INC. ANY REPRODUCTION IN PART OR WHOLE WITHOUT
THE WRITTEN PERMISSION OF LINE 6 INC. IS PROHIBITED

COMPANY:



LINE 6 INC.

PROGRAM: PADS POWER PCB V4.0

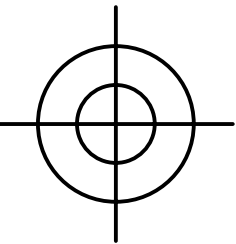
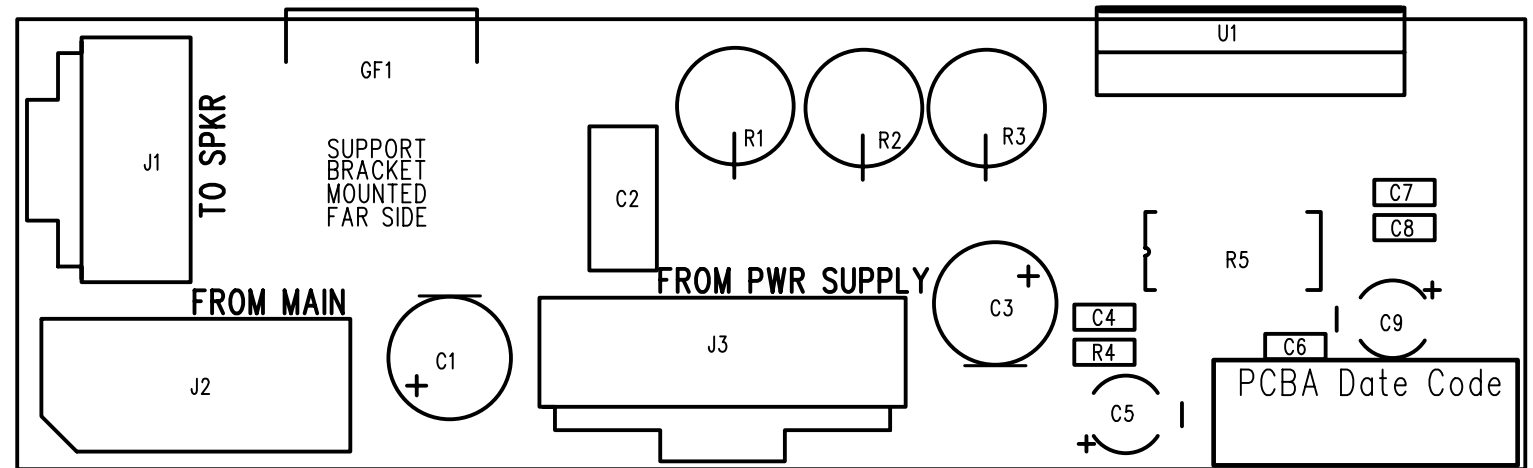
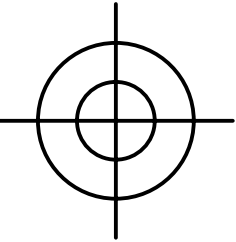
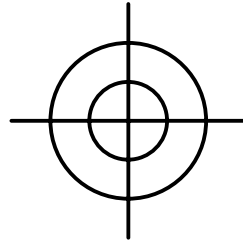
FILE: \SHARCTONE Product Family\DUET 212 Combo\Electrical\PCB\GUITAR IN\REV C\DUET GUITAR IN REV C.pcb

SCALE: NONE REV: C

DATE: AUGUST 27, 2002

TITLE:
SHARCTONE GUITAR INPUT


DRAWING NO:
35-00-0169

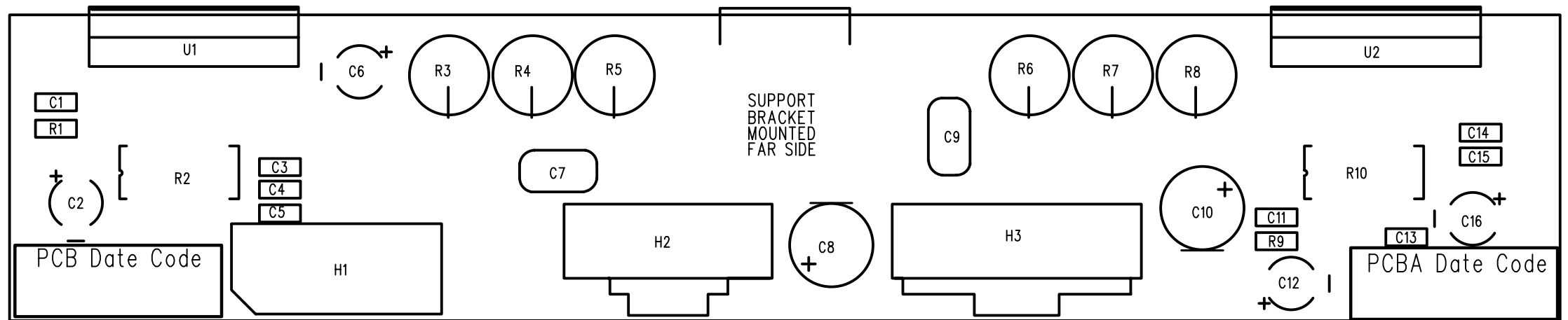
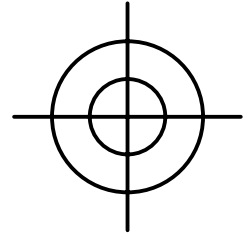
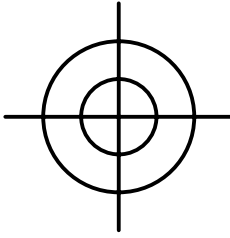


DATE CODE REQUIREMENTS

- 1) Silkscreen date code for bare PCB fabrication in area marked on drawing.
- 2) Place date code stamp or sticker for finished PCBA in area marked on drawing.

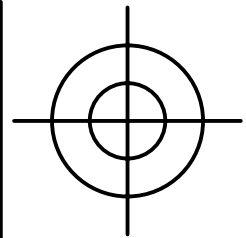
ASSEMBLY TOP

COMPANY:				LINE 6
PROGRAM: PADS POWER PCB V5.0				
FILE: \Sharctone 112 Combo\Electrical\PCB\Power Amp\Rev A\FT3 112 Pwr Amp Rev A.pcb				
SCALE: 1:1	REV: A	DATE: OCTOBER 25, 2002		
TITLE:				
SHARCTONE 112 Power Amp			35-00-0162	




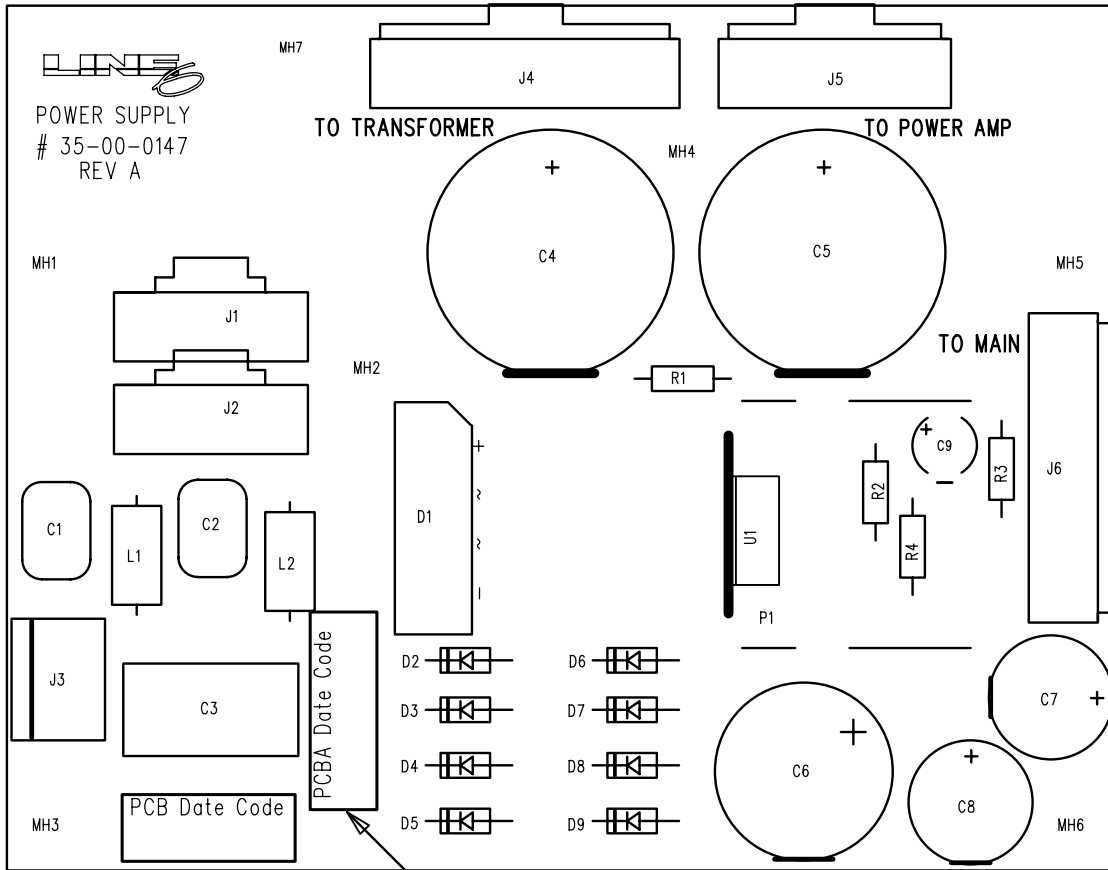
DATE CODE REQUIREMENTS

- 1) Silkscreen date code for bare PCB fabrication in area marked on drawing.
- 2) Place date code stamp or sticker for finished PCBA in area marked on drawing.



ASSEMBLY TOP

COMPANY:  LINE 6		
PROGRAM: PADS POWER PCB 4.0		
FILE: \Duet 212 Combo\Electrical\PCB\Power Amp\Rev B\Duet Pwr Amp Rev B.pcb		
SCALE: 1:1	REV: B	DATE: AUGUST 19, 2002
TITLE: DUET Power Amp		35-00-0123




Place PCBA Date Code Here

DATE CODE REQUIREMENTS

- 1) Silkscreen date code for bare PCB fabrication in area marked on drawing.
- 2) Place date code stamp or sticker for finished PCBA in area marked on drawing.

ASSEMBLY TOP

THE INFORMATION CONTAINED IN THIS DRAWING IS THE SOLE PROPERTY OF LINE 6 INC. ANY REPRODUCTION IN PART OR WHOLE WITHOUT THE WRITTEN PERMISSION OF LINE 6 INC. IS PROHIBITED

COMPANY: 

LINE 6 INC.

PROGRAM: PADS POWER PCB V5.0

FILE: Sharctone Product Family\Sharctone 212 Combo\Electrical\PCB\Power Supply\Rev A\FT3 Power Supply Rev A.pcb

SCALE: NONE REV: A

DATE: OCTOBER 28, 2002

TITLE: FT3 POWER SUPPLY
(SHARCTONE CLASSIC 212 COMBO)

DRAWING NO:
35-00-0147

Classic Final Test Instructions

12/03/02 Rev A

PART I: SETUP

CABLE SETUP: (DUET cable harness is used for Classic Final Test, but XLR cables #1 & #2 are not used on the Classic 1x12" test)

- 1). Connect ¼" mono cable **3-IN** from the test rack AUDIO IN #3 to the **EFFECTS SEND LEFT/MONO (ES-L)** of the CLASSIC.
- 2). Connect ¼" mono cable **4-IN** from the test rack AUDIO IN #4 to the **EFFECTS SEND RIGHT (ES-R)** of the CLASSIC.
- 3). Connect the mono grey "tip" of ¼" stereo cable **5-IN** to test rack AUDIO IN #5 and the mono red "ring" of ¼" stereo cable **6-IN** to test rack AUDIO IN #6.
- 4). Connect the black connector of ¼" stereo cable **ES** to the **EFFECTS SEND** of the CLASSIC.
- 5). Connect the black connector of ¼" stereo cable **PHONES** to the **PHONES** of the CLASSIC.
- 6). Connect ¼" mono cable **1-OUT** from the test rack AUDIO OUT #1 to the **GUITAR INPUT** of the CLASSIC.
- 7). Connect ¼" mono cable **2-OUT** from the test rack AUDIO OUT #2 to the **EFFECTS RETURN LEFT/MONO (ER-L)** of the CLASSIC.
- 8). Connect ¼" mono cable **3-OUT** from the test rack AUDIO OUT #3 to the **EFFECTS RETURN RIGHT (ER-R)** of the CLASSIC.
- 9). Connect the **MIDI IN** to the **MIDI OUT** jack on the CLASSIC.
- 10). Connect the modified RJ-45 loop back cable **PEDAL** to **PEDAL** jack on the CLASSIC. (see attached sheet for modified plug diagram).
- 11). Turn the **MASTER** volume fully clockwise to maximum setting of **10**.

TEST RACK SETUP:

- 1). Turn on the power to the 2 FURMAN power strips in the Test Rack.
- 2). Make sure that the National Instruments computer is powered on.
- 3). Turn on the power to the DELL computer and monitor.
- 4). After Windows has booted up, on the desktop click on the "CLASSIC Final Test" shortcut.

PART II: CLASSIC SELF TESTS

FRONT PANEL TEST

1. While holding down the **D** button, flip the **POWER** switch on to the CLASSIC. The jewel light on the power switch should light.
2. All the LED's should light on the Classic Front Panel, then they will go out and only the top left LED **A** should be on.
3. Press the top left button **A** next to begin the LED Test. All LED's should light at the same time and then light one individually. The circle of LED's should first light GREEN then RED the second time.
4. When the LED test is finished press button **B** LED **B** should light. Press the button **B** a second time to begin the Button, Encoder & Pots test.
5. Press the 7 buttons, the 7 LED's should light.
6. Turn the encoder on the left side of the board, the circle of LED's should light.
7. Turn the 9 pots, the top 4 LED's should light.

NOTE: Turning the **VOLUME** pot will not light the LED's.

SRAM / MIDI / FLOORBOARD TEST

1. While holding down the **A** button, flip the **POWER** switch on to the CLASSIC.
2. LED **A** should light if SRAM passes.
3. LED **B** should light if MIDI passes.
4. LED **C** should light if the floorboard test passes.
5. LED **D** will **NOT** light.

PART III: TEST RACK PROCEDURE

- 1) On the Dell computer click the “**START TEST**” button on the CLASSIC Final Test window.
- 2) The **YELLOW** button will flash while the test is in progress.
- 3) The **GREEN** button will light if the unit passes.
- 4) The **RED** button will light if the unit fails.
- 3) Turn off **POWER** to the CLASSIC.

PART IV: SPEAKER TEST

- 1) Plug in the 2 speaker wires that were disconnected in PART I Cable Setup section 14.
- 2) Plug 2 extension speaker cabinet into the two **SPEAKER 1/4”** jacks on the CLASSIC.
- 3) Select **CAB SELECT: OFF** switch on the CLASSIC.
- 4) Plug the electric guitar into the **GUITAR** input to the CLASSIC.
- 5) While holding down the **A** button, flip the **POWER** switch on to the CLASSIC.
- 6) Strum on the guitar, a clean tone should come out both the two CLASSIC speakers and the extension cabinet.
- 7) Unplug all cables to the CLASSIC and turn off the power.
- 8) Move CLASSIC to sound test chamber.
- 9) While holding down the **A** button, flip the **POWER** switch on to the CLASSIC.
- 10) Plug headphones into the #1 output of the headphone amp (for the sound chamber microphone, on top of sound chamber).
- 11) Plug the cable from the function generator into the input jack of the amplifier.
- 12) Close sound chamber.
- 13) Turn on function generator, find the switch that controls the frequency range, sweep the frequency through a range from .04 KHz – 1.5 KHz (40 Hz to 1500 Hz). This is done by turning the frequency range knob (on the function generator) in a clockwise direction. Listen for any rattling of the speaker or chassis.
- 14) Turn off the function generator and open the sound box.
- 15) Turn off **POWER** to CLASSIC and remove unit from sound chamber.

RJ-45 TEST CABLE WIRING DIAGRAM

11-08-02

A standard RJ-45 cable can be used to make a RJ-45 Test Cable used in self test modes on many LINE 6 products. 4 wires must be connected:

- WIRE/PIN1(TXN) to WIRE/PIN2 (RXN)
- WIRE/PIN6 (RXP) to WIRE/PIN8 (TXP)

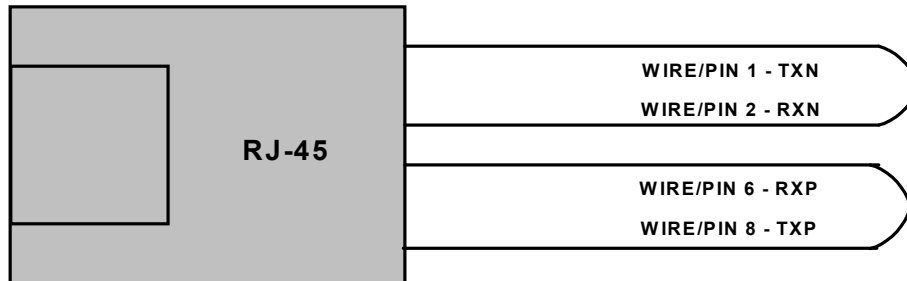


Figure 1

The pin out on the bottom of an RJ-45 PCB mount connector is label as indicated in Figure 2:

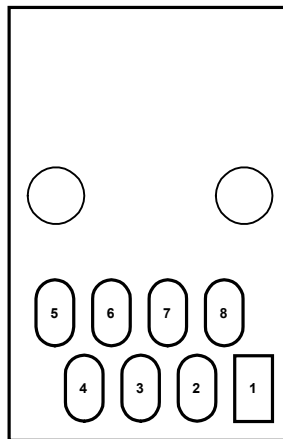


Figure 2 – Bottom view pinout on RJ-45 PCB connector



CLASSIC FINAL TEST RACK CHANGE HISTORY

REVISION	NOTES	DATE	RELEASED BY
A	- Initial Release.	12/03/02	JW



Instructions for updating Flextone III Flash code.

FLASH

1. Connect the MIDI out of your computer to the MIDI in on your Flextone III.
2. Connect the MIDI in of your computer to the MIDI out on your Flextone III.
3. Power up the Flextone III in test mode by pressing and holding channel A while powering up.
4. Use a Sysex tool (like the one included for PC's) or a MIDI sequencer app to play the Sysex MIDIfile into the amp. It should take 5 minutes. After the MIDI light on your interface has stopped for a while, cycle the power on your amp. All should be well. If not, try the MIDI again.
5. Check the version of the FLASH by powering up while holding channel C. Count the number of times the B, C and D buttons flash. B represents the major version, C represents the first decimal in a point release, D represents the second. So one B flash, one C flash and 2 D flashes will indicate release 1.12.



FT3 Data Transfer

Neither of these data transfers require more than one cable to perform (MIDI Out of Sending unit to MIDI In of receiving unit.)

to enter the mode for dumping User Channels and User Amp Setups (in advance of Flash update or for archival purposes):

Hold TAP TEMPO + MOD SELECT (below the LED ladder) + GATE buttons on Power-up.

The LEDs on the ladder will scan downward to indicate the Model select button which triggers the actual MIDI Transmission.

Start your MIDI recorder or System exclusive utility.

Once the indicated button is pressed, the uppermost Delay and Mod leds alternate flashing to indicate the dump is in progress. When done, the normal startup light show begins and the amp is put into normal operation.

In terms of the data that's transmitted, there is a pause between the Channels and Amp setups which allows either splitting the file into its 2 constituent parts or (if you can see when data is being received by activity LEDs on your interface, etc.) starting/stopping the reception in between because (for instance) you only need to back up Setups. In either case, the "end of dump" string <F0 00 01 0C 03 72 07> is the dividing line between the 2 banks being transmitted and must be included at the end of the file you're saving to insure that the data writes to Flash successfully when you send it back to the amp.

The amp-to-amp Flash image transmission start-up mode is the same [as the above procedure] with the exception that the keys held on startup are: TAP TEMPO + MOD SELECT + COMP. This takes more than 4 minutes to transmit and will provide the same indication (on the sending unit) of completion.

Mechanical Assembly instructions: Flexitone-3 212, 112+,112

Rev F 02/25/03



Forward and Notes

The information in this booklet applies the mechanical assembly of the Flexitone-3 212, 112+ and 112 Compo Amps. See also the Related Electrical assembly documentation, for major considerations in assembling the electrical components of the PCBs (through the soldering process and preparation of the board for addition of custom components).

A note on the text: the illustrations in this book are for reference only. In some cases, color and geometry of illustrations may not accurately reflect the color or exact geometry of actual parts.

- Unless otherwise noted, all dimensions are in inches.
- Part identifying notes are in this format: Description (Part Number)
- Drawings are not to scale.
- Torque value tolerance +/- .5 in.-lbs. Do not over tighten any components.
- For clarity, not all component details are shown. This is especially true with respect to cable assemblies. They are often omitted from views to provide a clearer picture of the material discussed. Do not be confused by the absence (or unexpected presence) of any component in the illustrations in this book.

Table of Contents

Assembly of the 212 and 112+ Chassis

Assembly of the 212/112+ Power Amp	3
Assembly of the 212/112+ Chassis	8

Assembly of the 112 Chassis

Assembly of the 112 Power Amp	15
Assembly of the 112 Chassis	20

Completion of the Chassis Cover 22

Completion the 112, 112+ and 212 Head Assemblies 28

Completion of the 212 Combo 31

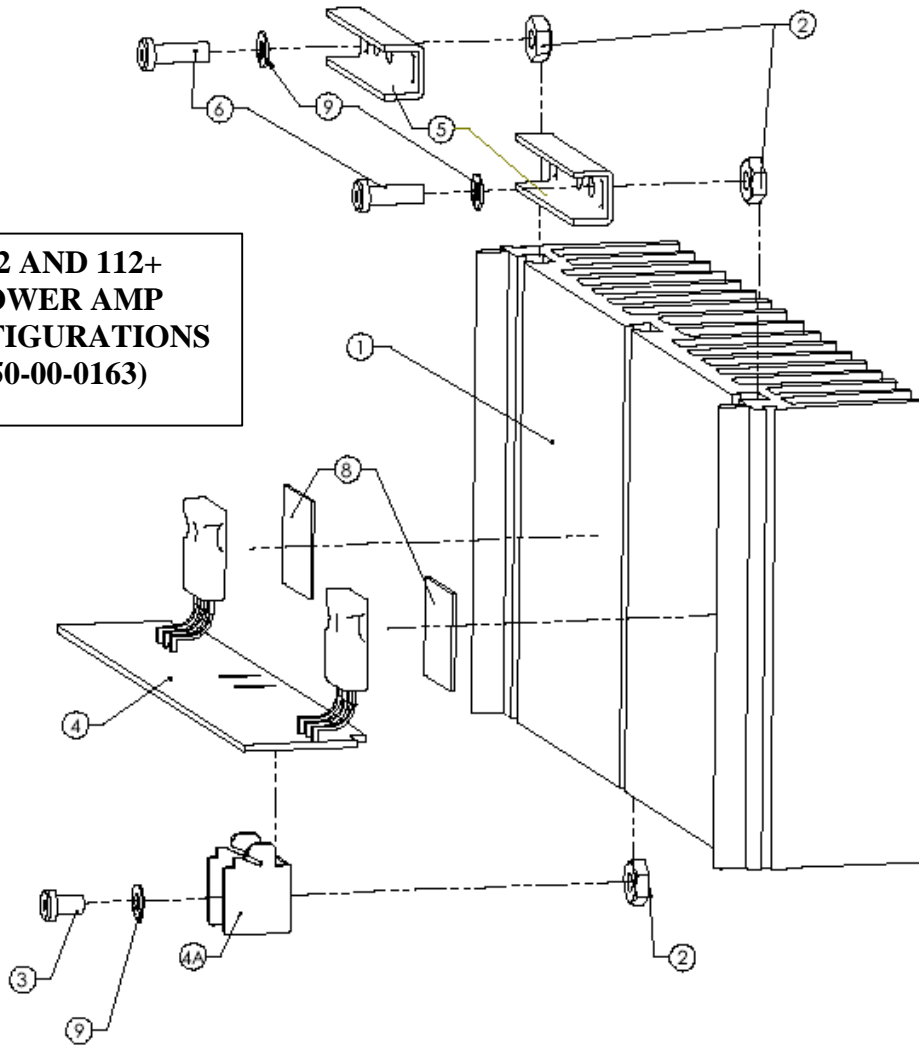
Completion of the 112 Combo 34

Test and Inspect the Completed Unit 36

FINAL PACK OUT LIST. PAGE 39.

Power Amp Assembly – 212 AND 112+ CONFIGURATIONS

**212 AND 112+
POWER AMP
CONFIGURATIONS
(50-00-0163)**



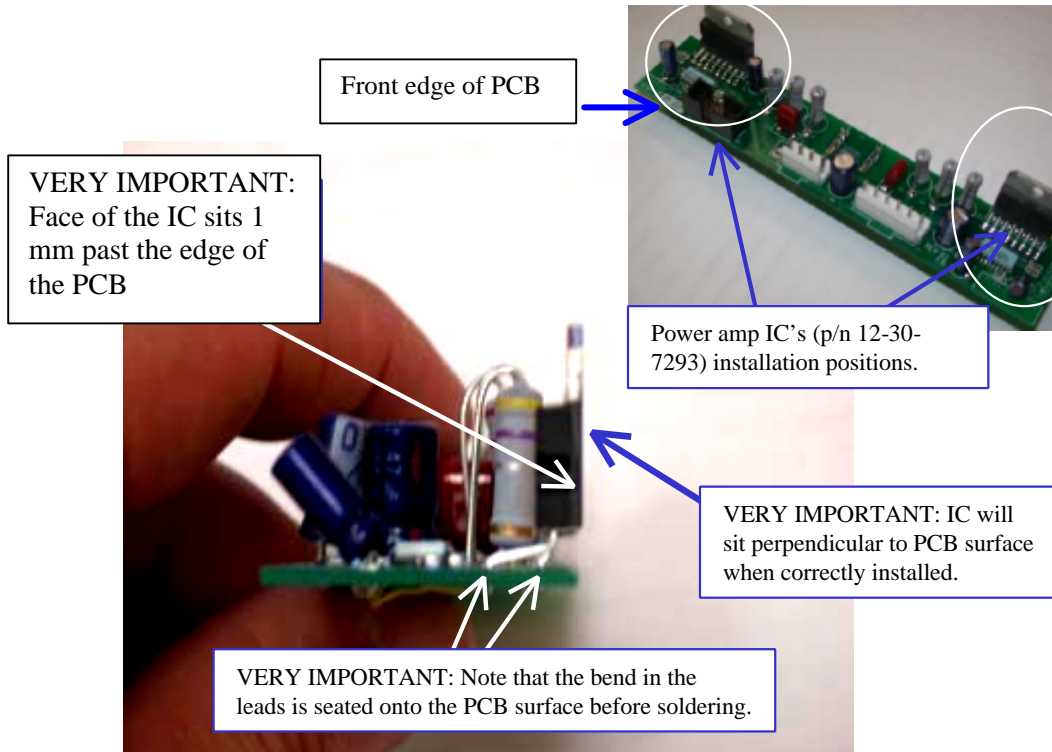
ITEM	QTY	LINE6 PART NO	DESCRIPTION
1	1	30-51-0059-3	HEAT SINK, BLACK ANODIZED
2	3	30-06-0007	NUT, HEX
3	1	30-00-0028	SCR CAP SOCKET HD #8 X .3125
4	1	50-00-0127	PCBA - POWER AMP
4A	1	30-51-0105	SUPPORT BRACKET
5	2	30-51-0073	CLAMP, HEATSINK
6	2	30-00-0010	SCR CAP SOCKET HD #8 X .562
8	2	30-63-0006	THERMAL PAD .85 X .85
9	3	30-03-0002	WASHER LOCK #8

a) Check the installation of headers and capacitors

1. Check orientation of all headers. All headers shall be mounted flush to PCB.
 - The center notch of H2 shall face the front edge of the board (see figure below).
 - The edged tabs of H1 and H3 shall face the front edge of the board
2. Check for the installation and orientation of all electrolytic capacitors.

b) Attach Power components and Pads

1. Install Power Amp ICs (Line 6# 12-30-7293) on component side of the Power Amp board (50-00-0123) to positions labeled as U1 and U2 as shown in the figure below (note orientation of the component).

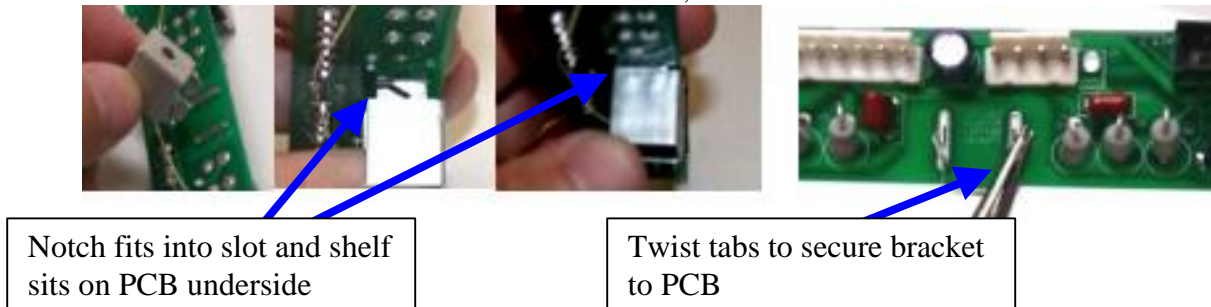


Ensure that the IC:

- 1 - seats down to the bend in the leads then solder in place.
- 2 - is vertical with a slant of no more than +/- 2 degrees from the vertical (perpendicular to the PCB plane).
- 3 - overhangs the back edge of the board 1 mm.

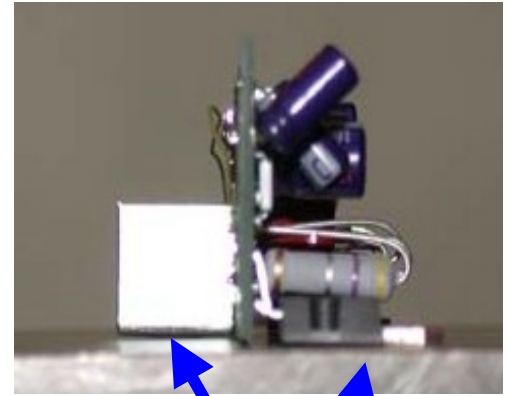
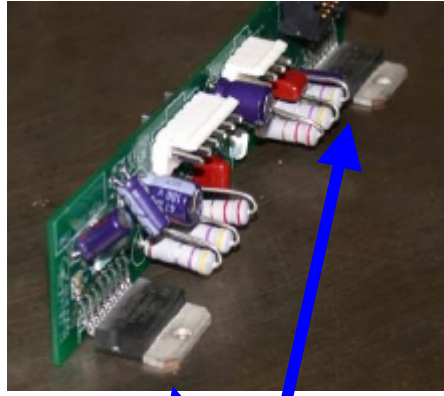
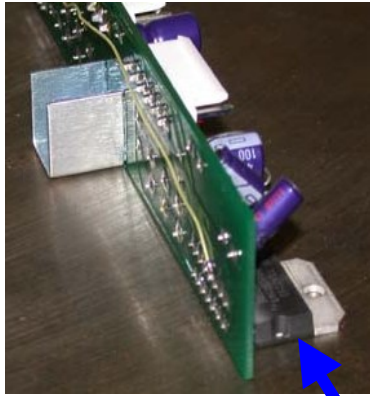
c) Attach the Support Bracket to the PCB

1. Install support bracket (Line 6# 30-51-0105) on solder side of board through the 2 slots in the middle of the PCB. Check that the bracket is flush to the underside, bend tabs outward to secure the bracket in place.



d) Inspect the flatness of the assembled PCB

1. Lay the assembled PCB on a reference flat surface. Confirm that the front face of the 2 IC's and the front of the support bracket lie flat on the surface. Maximum out of flatness tolerance is .5 mm (.020 inches)). If part exceeds tolerance, do not use and set aside for rework.



Inspect to see that IC's lie flat on reference surfaces

Inspect to see that both the IC's and support bracket are co-planer

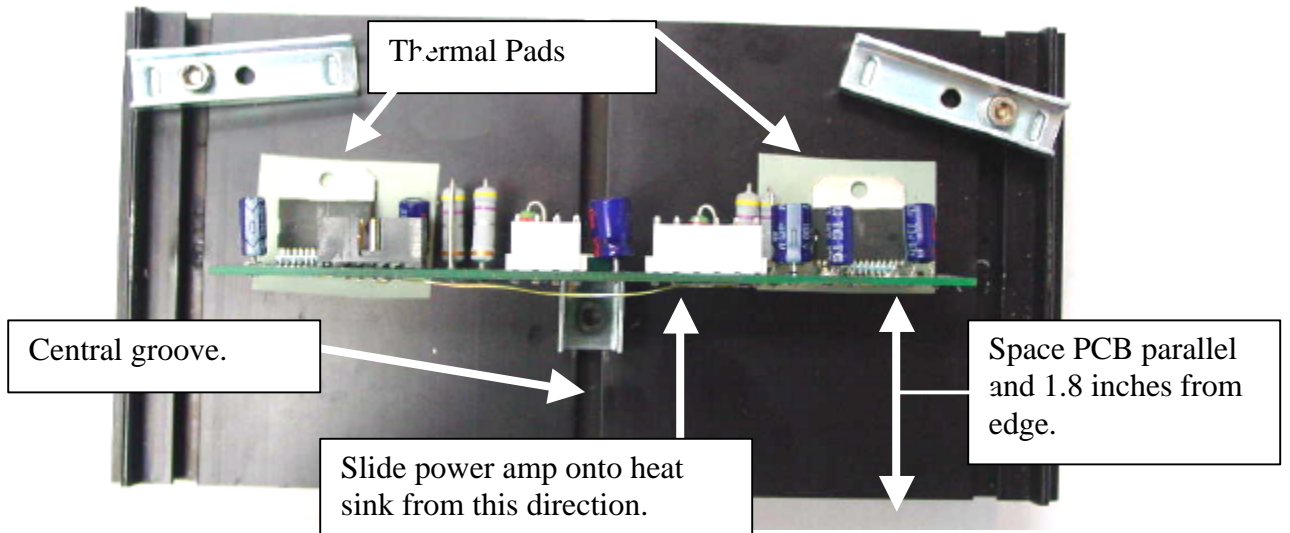
d) Secure the PCB assembly to the heat sink with the device clamps

It is recommended that the following procedure be done using a jig to ensure accurate board placement and sufficient clearance for critical components – contact Line 6 manufacturing engineering for details)

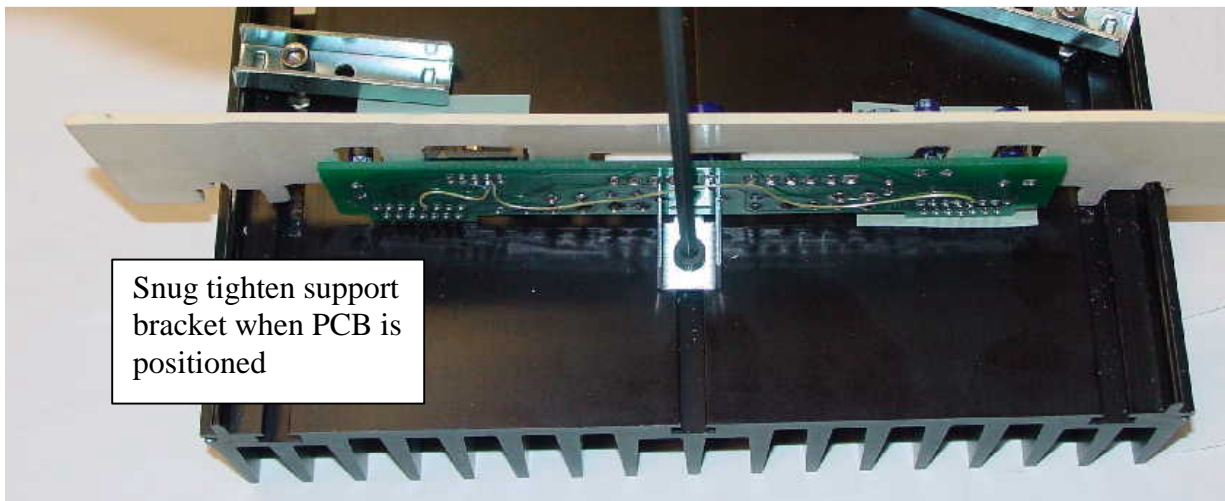
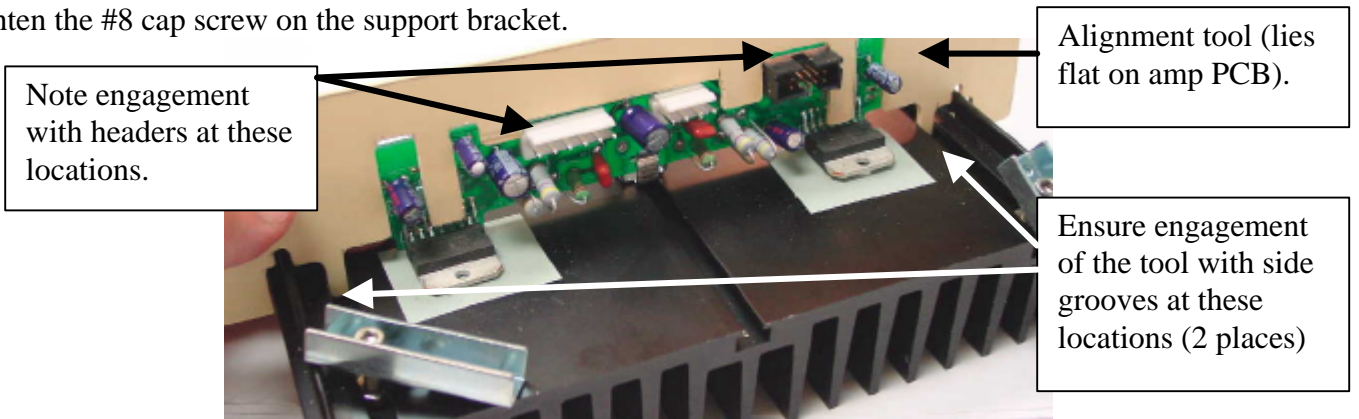
1. Partially assemble 2 device clamps using for each clamp a #8 socket head cap screw (30-00-0010), #8 lock washer (30-03-0002) and #8 hex nut (30-06-0007) (see exploded view on pg 3 for reference). Slide each assembly into the edge grooves on the heat sink letting them lie loose upon placement.



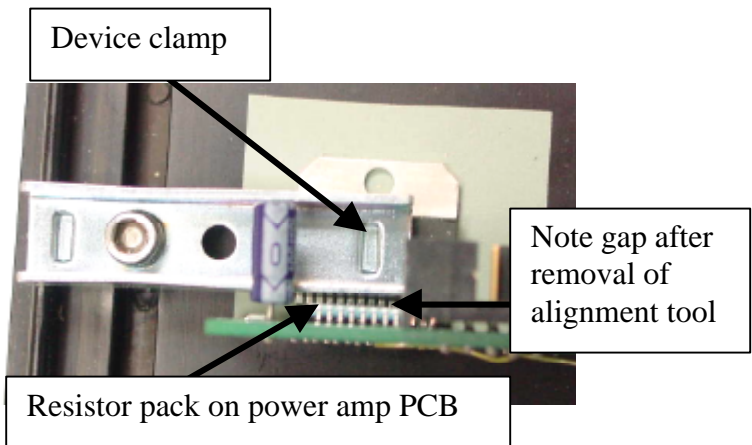
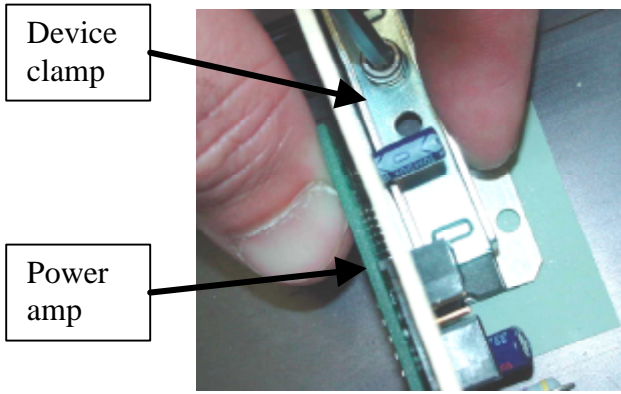
2. Loosely secure a 5/16 #8 Socket head cap screw (30-00-0028, see page 3) with a lock washer (30-03-0002) to the support bracket using a #8 hex nut (30-06-0007).
3. Slide the PCB assembly onto the heat sink 1.80 inches (45 mm) allowing the #8 cap screw to slide up the central groove. Insert the thermal pad under the IC covering the underside as shown in the figure below.



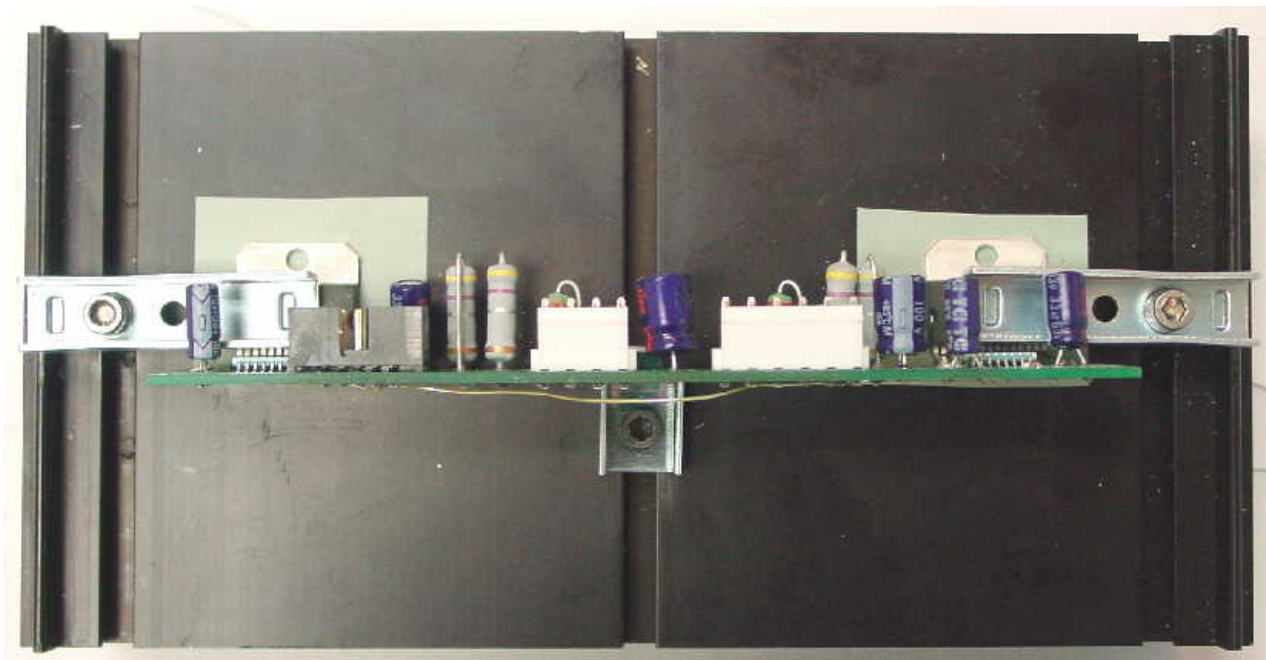
4. Insert the Line 6 supplied Power Amp PCB alignment tool onto the board surface as shown in the figure below. The tool will ensure parallel alignment of the board to the Heat sink edge. When fully engaged snug tighten the #8 cap screw on the support bracket.



5. With the alignment tool still in place, position the device clamps over the IC ensuring that the edge of the alignment tool is pinched between the edge of the device clamp and the top surface of the resistor pack on the PCB. When positioned as shown in the figure below, snug tighten the #8 cap screws. Ensure that dimple fully sits upon the surface of the IC.

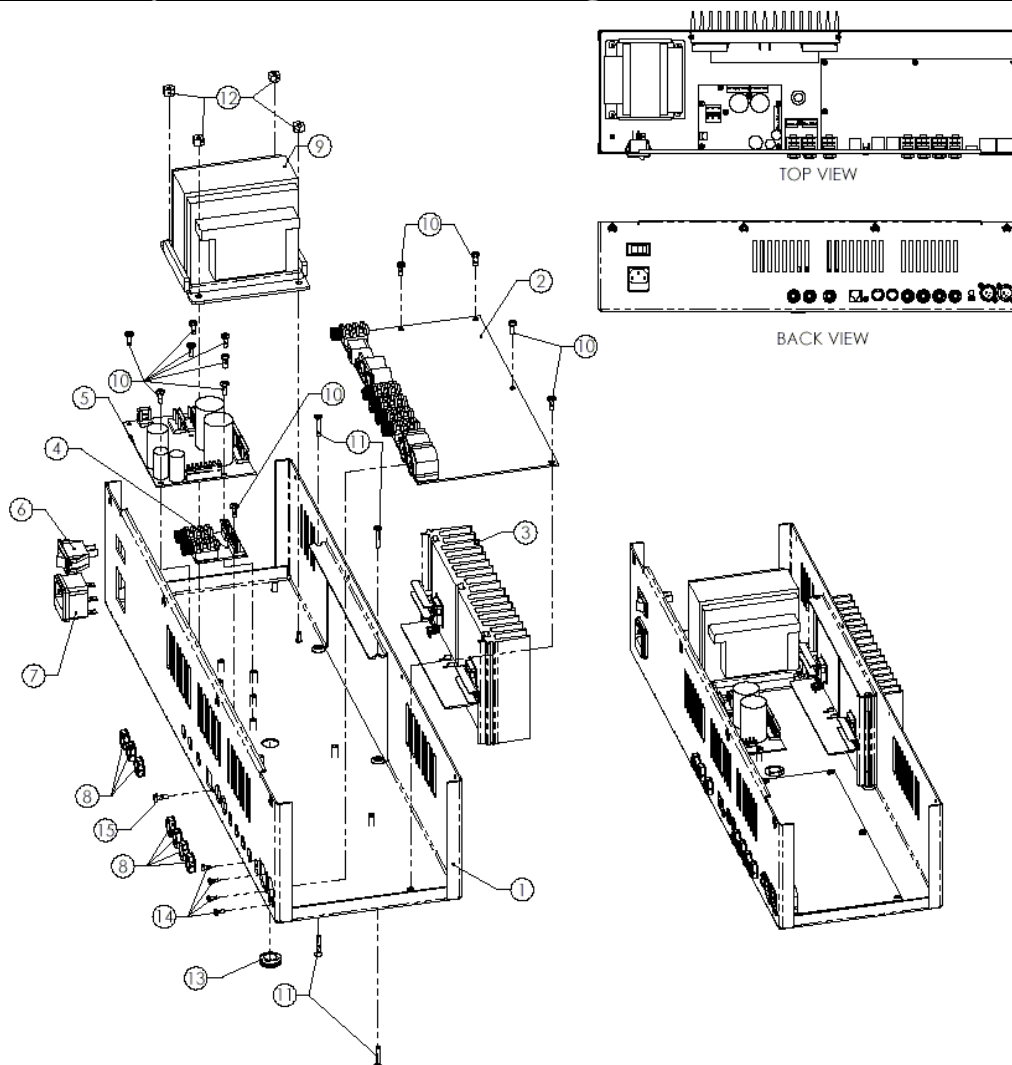


6. Tighten the #8 cap screw on the support bracket to 12 inch-lbs. Tighten the cap screws on the device clamps to 12 inch-lbs and remove the alignment tool. Ensure that a suitable gap of between 1 mm min to 2 mm max exists between the device clamp and resistor packs (see figure above for step 5). Observe if the board is parallel and exhibits no significant flex or stress (see figure below).



End of section

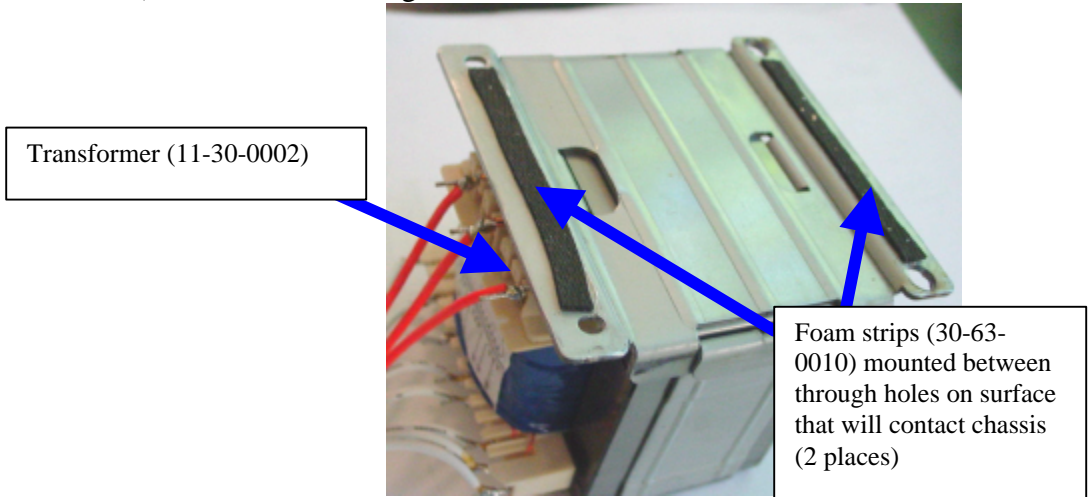
The Chassis Assembly – 212 and 112+ Configuration (50-00-0200)



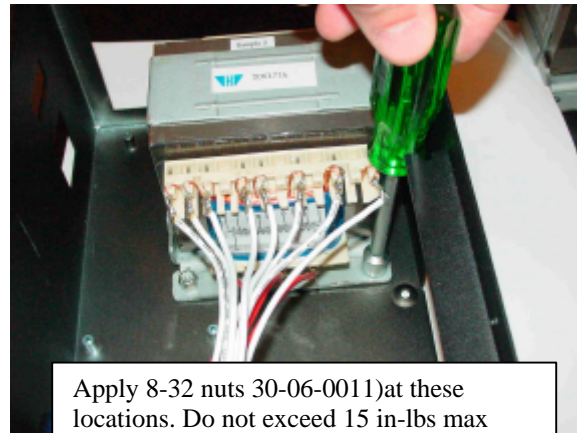
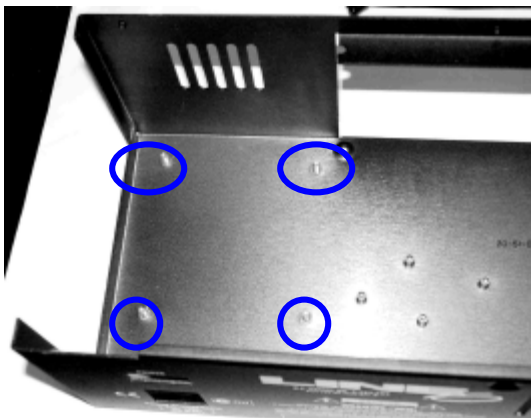
ITEM	QTY	LINE6 PART NO	DESCRIPTION
1	1	50-00-0206	ASSY ARI, CHASSIS CLASSIC 212
2	1	50-00-0217	PCBA, MAIN BOARD
3	1	50-00-0163	PCBA, POWER AMP
4	1	50-00-0149	PCBA, OUTPUT
5	1	50-00-0147	PCBA, POWER SUPPLY
6	1	24-06-0001	ROCKER SWITCH
7	1	21-14-0002	JACK IEC W/FUSE MALE
8	7	N/A [INCL ASSY]	NUT, JACK
9	1	11-30-0002	XFMR 100V\120V 50/60HZ CLASSIC FT3
10	12	30-00-0607	6-32UNC SCREW W-WASHER
11	4	30-00-0018	SCR, 6-32 X 1, FL H PHIL, SELF TAPPING
12	4	30-06-0011	NUT NYLOCK #8-32
13	1	30-75-9600	GROMMET, RUBBER
14	4	30-00-4250	PAN HEAD PHILLIPS SCREW #4 X .250
15	2	30-00-1632	PAN HEAD PHILIPS SCREW BL OXIDE
16	2	30-63-0010	FOAM STRIP (2 PER CHASSIS, 3.25 INCH LONG)
16	1	21-34-0031	CA ASSY, PWR AMP - OUTPUT
17	1	21-34-1806	CABLE EARTHING GREEN W/YELLOW STRIPE
18	1	21-34-0014-1	CA ASSY PWR SUPPLY - MAIN
19	1	21-30-0009-1	CA ASSY PWR AMP - MAIN
20	1	21-34-0021-4	CA ASSY PWR SUPPLY - PWR AMP
21	1	21-34-0034	CA ASSY MAIN SWITCH
22	1	21-34-0035	CA ASSY JUMPER MAIN SWITCH
23	1	21-34-0020-2	CA ASSY OUTPUT - SPEAKERS (212 VERSION ONLY)

a) Mount transformer assembly into chassis

- 1) Apply 2 strips of foam tape (30-63-0010) to the underside of the transformer assembly (11-30-0002) as indicated in image below.



- 2) The transformer assembly positioned in the chassis (50-00-0206) at the location 4 8-32 PEM studs (figure below left). Orient the transformer/cable assembly so the cables point towards the center of the chassis. (figure below right). When mounted onto the studs, secure to transformer using 4 8-32 Nylock hex nuts (30-06-0011) as shown in the figure below. Tighten nuts to 10-12 inch-lbs **(not to exceed 15 inch lbs max)**.

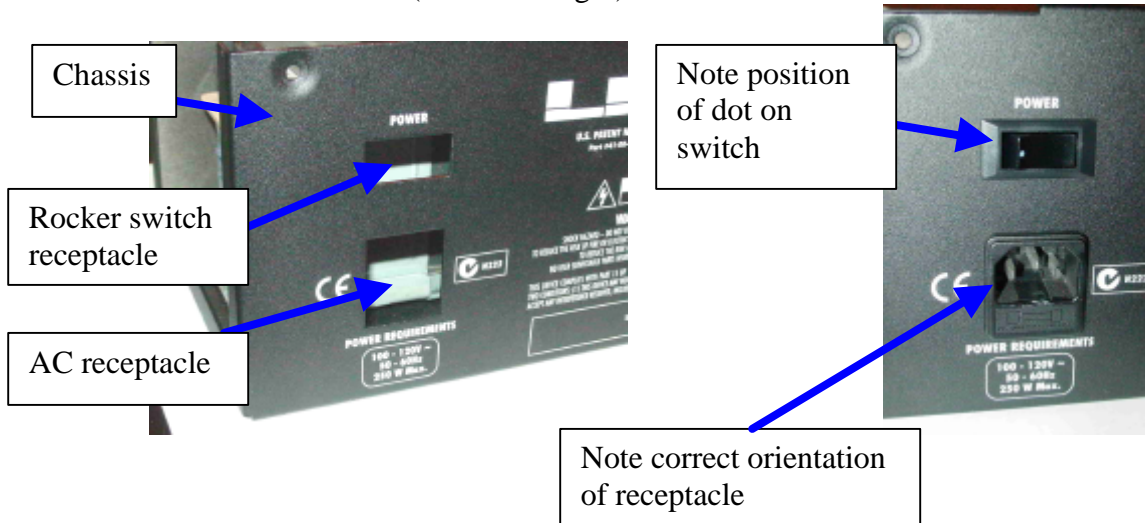


b) Mount AC receptacle and rocker switch to chassis.

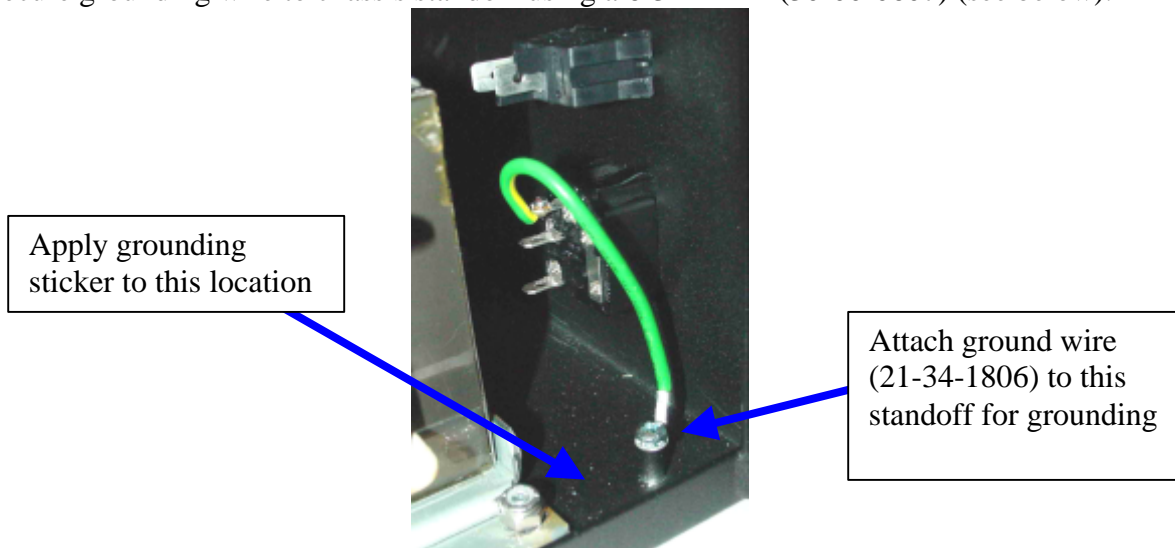
- 1) Before mounting into chassis, solder grounding wire (21-34-1806) to top connector on AC receptacle (21-14-0002) (see figure below). Ensure that wire is fed though loop and crimped over prior to solder.

INSERT PHOTO OF PROPERLY SOLDERED GROUND AT THIS LOCATION

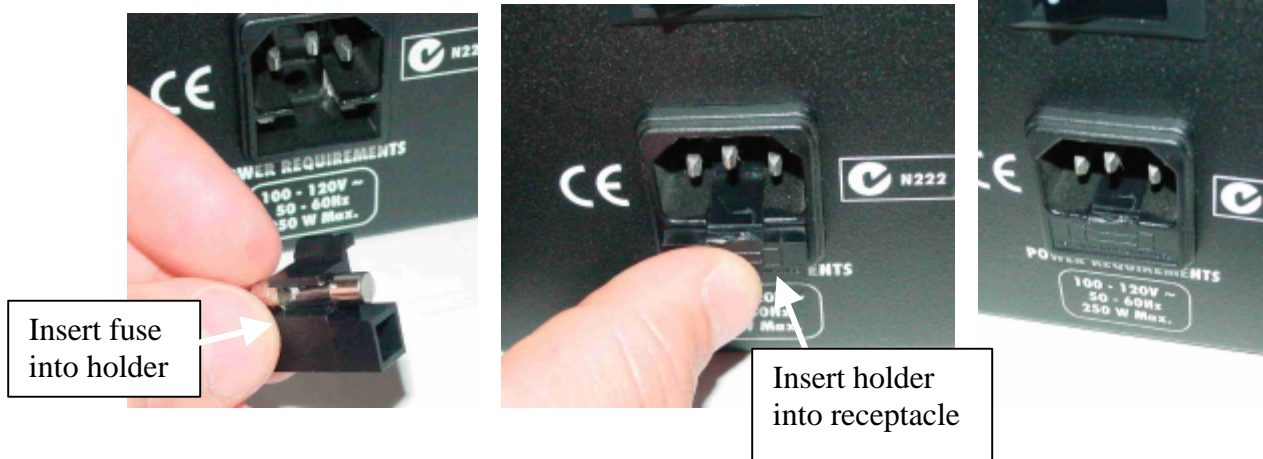
- 2) Insert Rocker switch (24-06-0001) and AC receptacle (with pre-soldered ground wire) into the rectangular holes in the chassis (see below left). Note orientation of rocker switch and receptacle when mounted into chassis (see below right).



- 3) Secure grounding wire to chassis standoff using a 6-32 PHPL (30-00-0607) (see below).

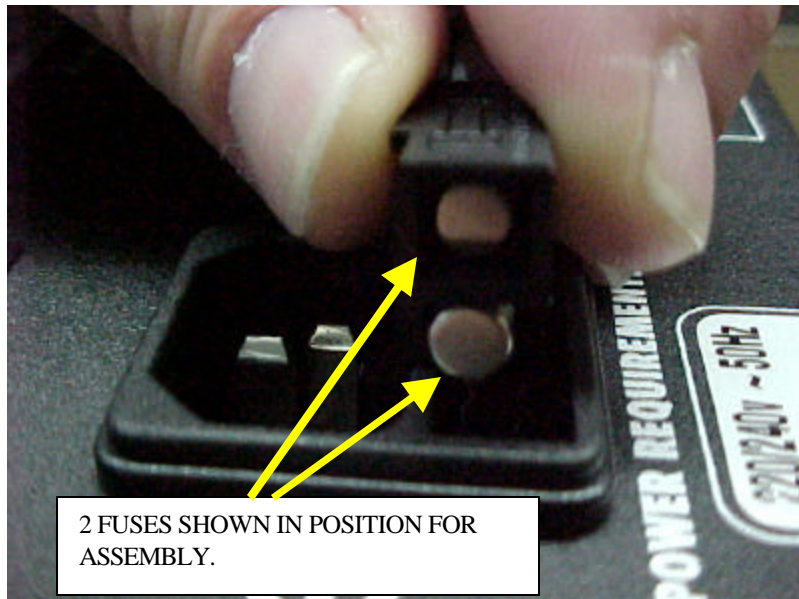


- 4) Install the fuse into the AC receptacle(see next page). Use the correct fuse for the installed transformer



Fuse installation.

FUSES	US/JA UNITS	100V/120V
	#24-18-2025	2A / 250V SLOW BLO, LITTLEFUSE # H239 002 (2 PER)
FUSES	EU,AU,UK UNITS	240V
	#24-19-0001	1A / 250V LITTLEFUSE # H213 001 (2 PER)



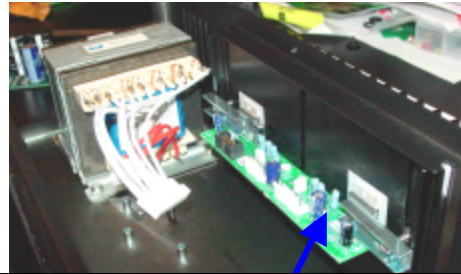
2 FUSES SHOWN IN POSITION FOR ASSEMBLY.

c) Install the power amp assembly

- 1) The assembled power amp assy (50-00-0163) is installed through the rectangular cutout in the chassis (see figure below left). Mount the unit into the chassis with the IC's point "up" as indicated in the figure below (see figure below right)

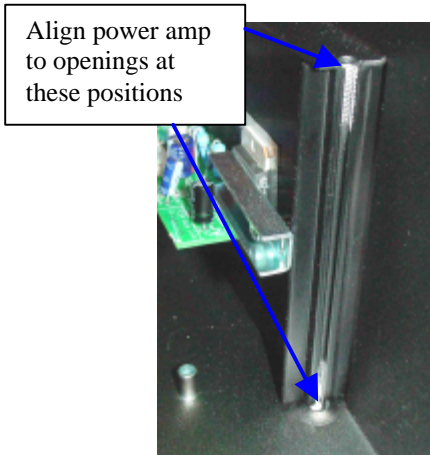


Install power amp (50-00-0163) through this opening

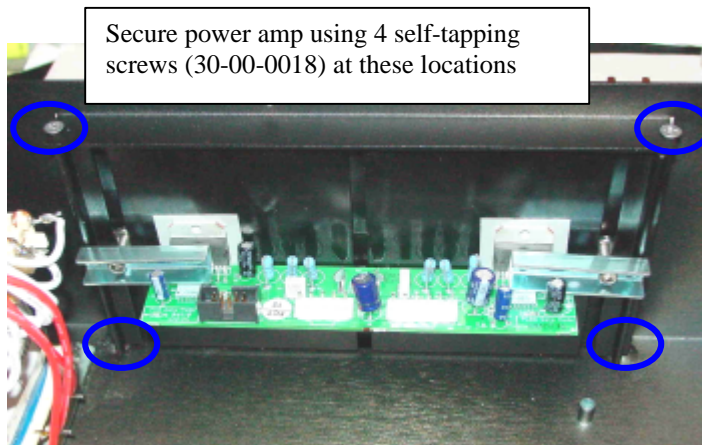


Note correct orientation of IC's when amp is correctly installed.

- 2) Install the component until the journal is co-linear with the dimple on the chassis base and curved cutout on the mounting fold of the chassis (see figure left). Secure the unit using 4 #6-self tapping flat head screws (30-00-0018) (see figure below right).



Align power amp to openings at these positions

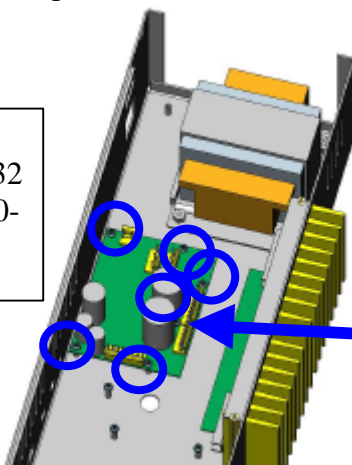


Secure power amp using 4 self-tapping screws (30-00-0018) at these locations

d) Install the power supply PCBA

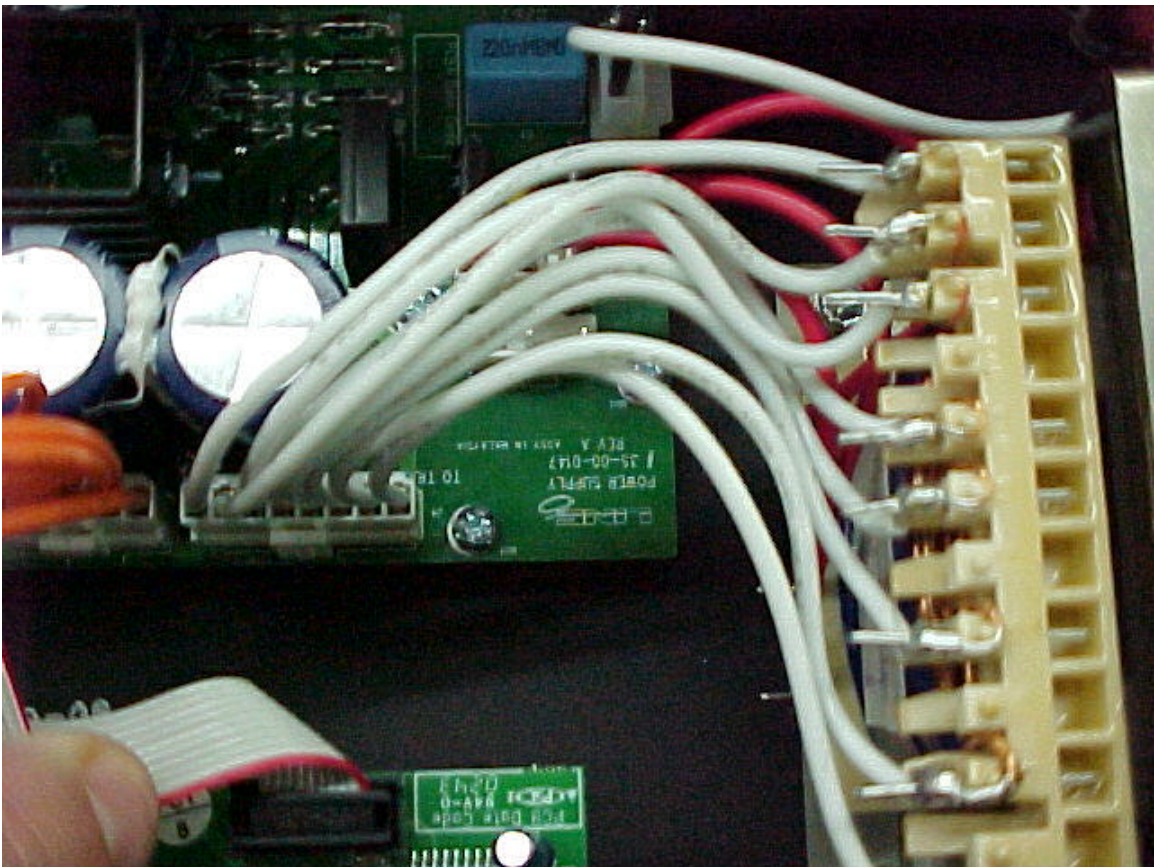
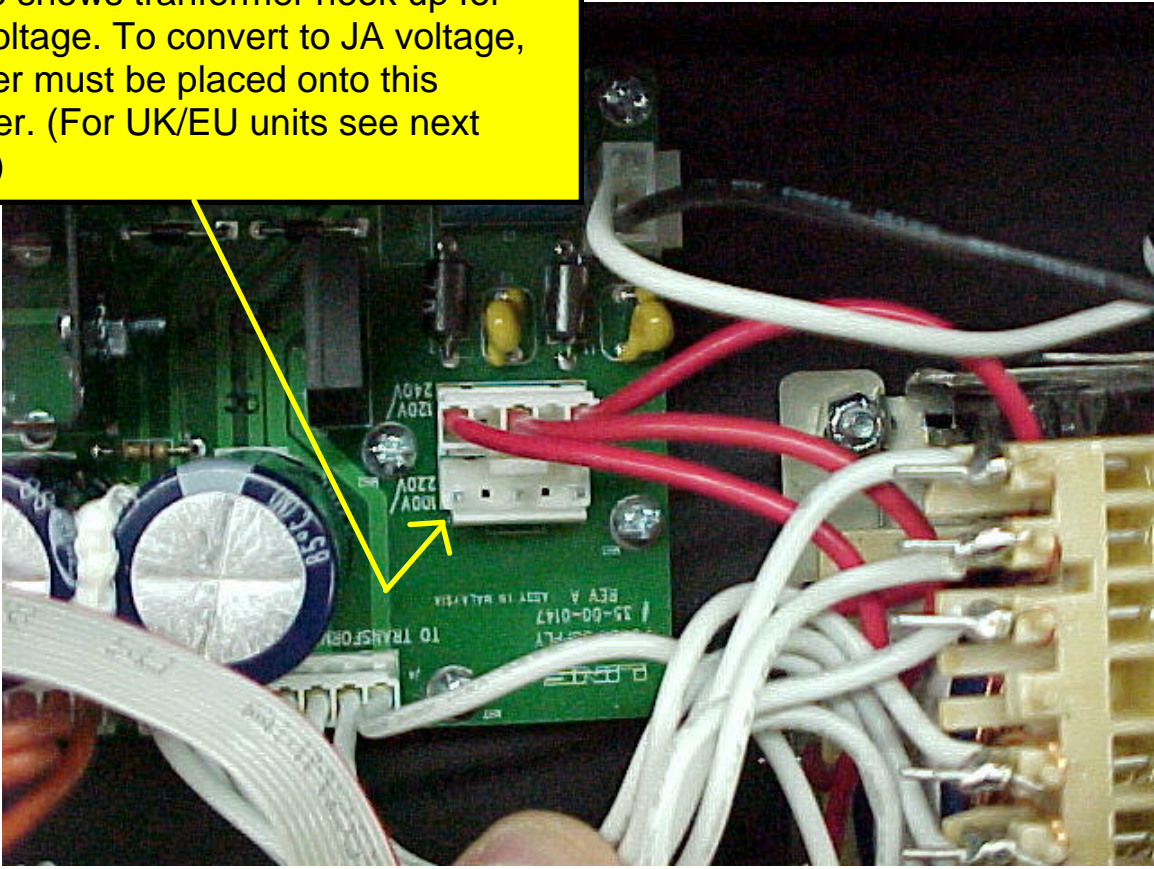
- 1) Ensure that a suitable RTV material has been applied to the large caps at on the power supply PCBA (50-00-0147) as indicated in the PCBA assembly document.
- 2) Install the power supply PCBA assembly into the chassis as indicated in the photo below using 7 6-32 x 7/16 pan head phil screws w/captive lockstar washer ("PHPL-screws") (30-00-0607).

Location for the 6-32 screws (30-00-0607)



Position for power supply PCBA

Photo shows tranformer hook up for US voltage. To convert to JA voltage, jumper must be placed onto this header. (For UK/EU units see next page)



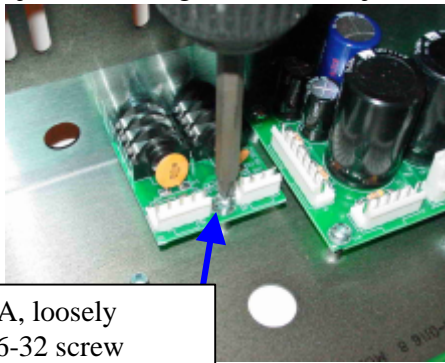
Photos of transformer cable hook up to power supply PCBA

- 3) Connect pre-soldered cables on from the transformer onto the power supply PCBA as indicated in photo's on previous page.

For UK/EU units, Transformer # 11-30-0001 must be used. UK/EU jumper position is same as US.

e) Install the output PCBA

- 1) Install the output PCBA (50-00-0149) into the chassis position adjacent to the power supply PCBA as indicated in the figure below. Secure loosely using a 6-32 PHPL screw (30-00-0607), then apply 2 plastic jack nuts. Tighten first the jack nuts to pull PCB into position. Then tighten screw.



Output PCBA, loosely secure with 6-32 screw

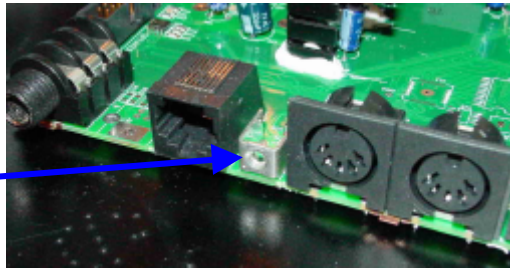


Then apply jack nuts, tighten and then tighten 6-32 screw

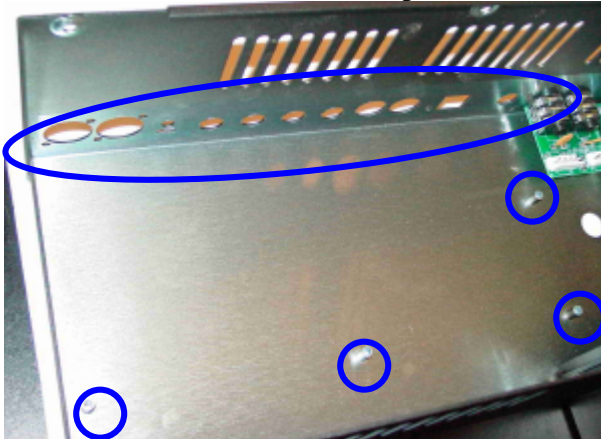
f) Install Main PCBA.

- 1) Before installing the main PCBA (50-00-0217) ensure that the terminal bracket screw has been removed.

Ensure screw is removed prior to chassis installation



- 2) Insert main PCBA into position indicated in photos below

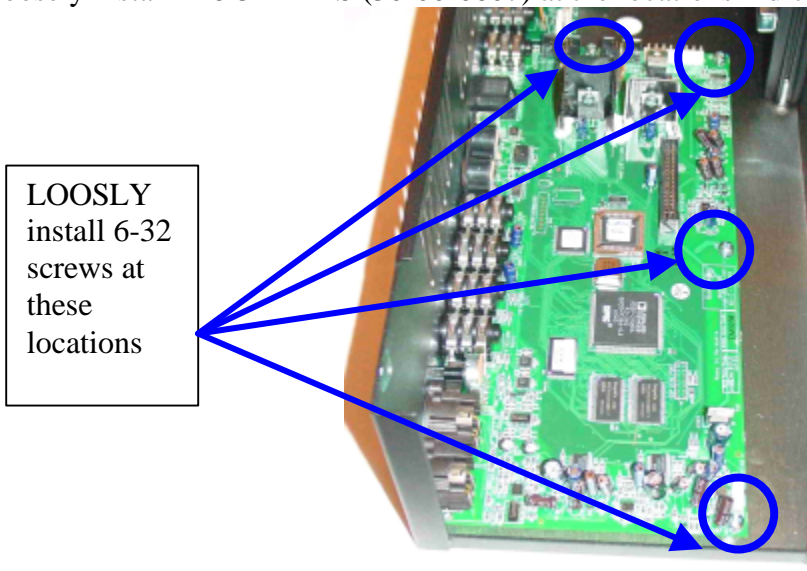


Standoff's and though holes for main PCB mounting

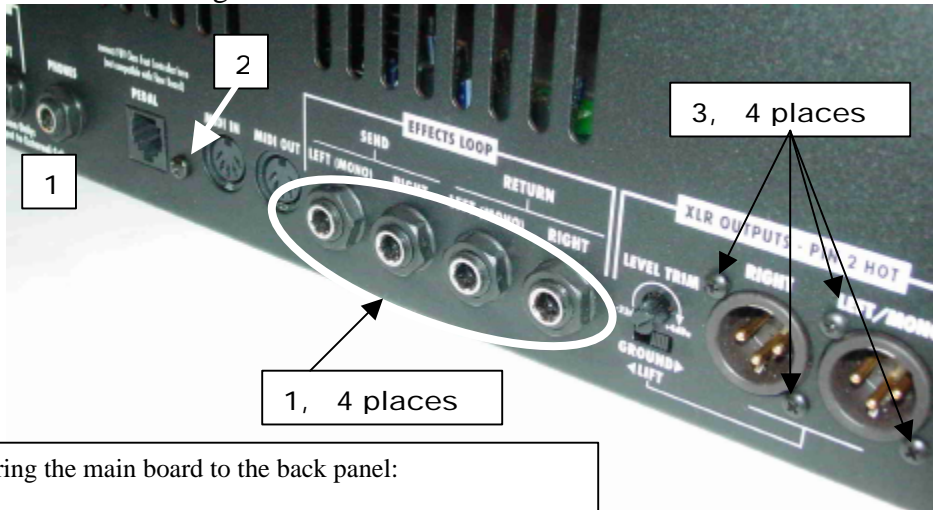
3) Place PCB onto the standoffs and ensure all connectors pass through clearance holes. Ensure that RJ45 jack and the ground lift slider switch clear the edges of their clearance holes.



4) Loosely install 4 6-32 PHPS (30-00-0607) at the locations indicated in the figure below left.



5) Secure all connectors using the fasteners listed below:



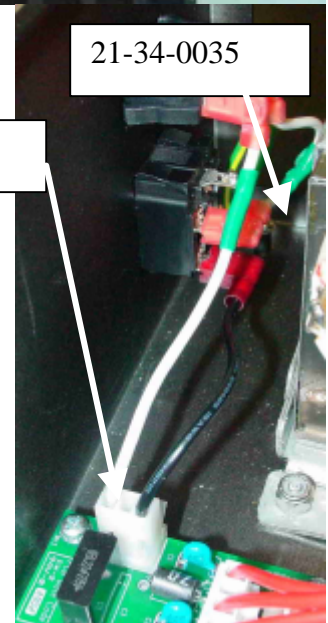
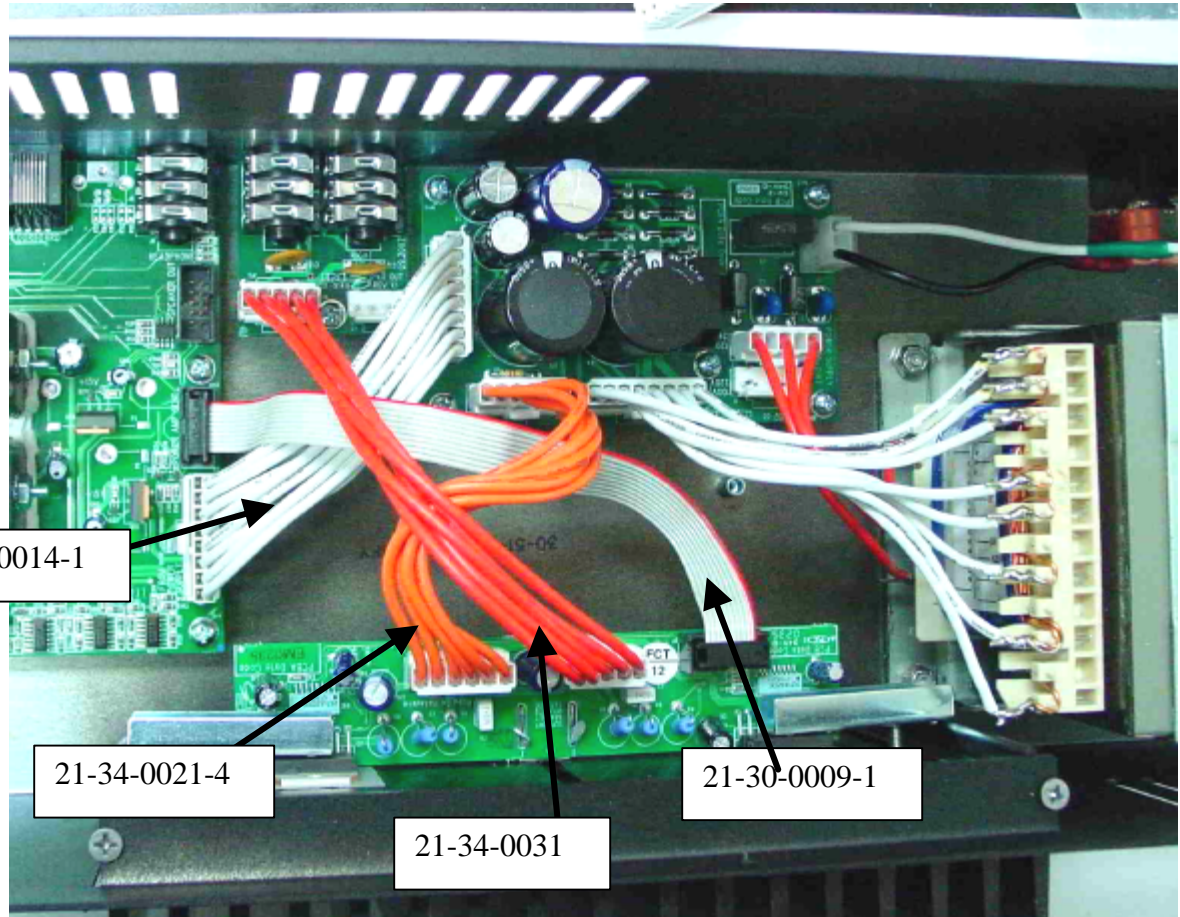
Fasteners for securing the main board to the back panel:

- Item 1 – 5 places - Plastic jack nut, included with parts
- Item 2 – 1 places - 6-32 screw black Philips pn hd (p/n 30-00-1632)
- Item 3 – 4 places – #4 self tapping Philips pn hd (p/n 30-00-4250)

- 6) Tighten the fasteners applied in step 5. After these are tightened **THEN TIGHTEN THE 6-32 SCREWS** (6-8 inch-lb).
- 7) Install rubber grommet (30-57-0096) into the central hole on the base of the chassis.

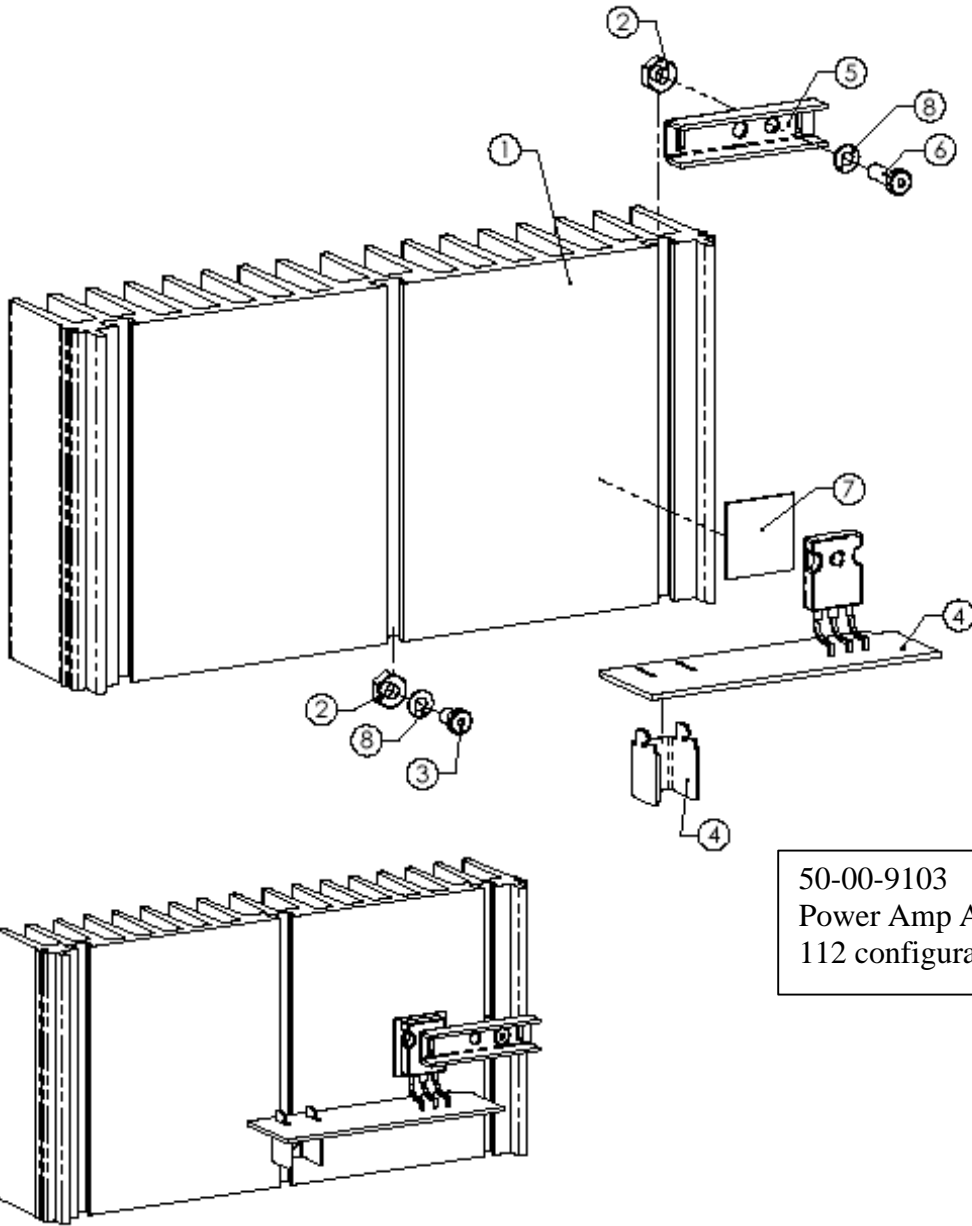
g) Install cabling

Install the cabling into the chassis as per the figure and chart below. Ensure that all cable connectors are securely fastened into their headers.



Cable P/N	Description	Routing
21-34-0014-1	8pin, .156pitch, 5 inch	H6, main to C6 pwr pcb
21-34-0021-4	6pin, .156pitch, 6.5 inch	MH5 pwr pcb to H3 pwr amp
21-30-0009-1	10pin ribbon, 8 inch	MH3 main to H1 pwr amp
21-34-0031	5 pin, .156 pitch, 7.25 inch	H2 pwr amp to M2 output
21-34-0034	2 pin, flag connector, 7 inch	J3 to AC recept. and Rocker
21-34-0035	Cable, 2 flag conn., 3 inch	Rocker to AC recept.

Power Amp Assembly – 112 CONFIGURATION



50-00-9103
Power Amp Assy
112 configuration

ITEM	QTY	LINE6 PART NO	DESCRIPTION
1	1	30-51-0059	HEAT SINK
2	2	30-06-0007	NUT, HEX
3	1	30-00-0028	SCR CAP SOCKET HD #8 X 5/16
4	1	50-00-0162	PCBA - POWER AMP
5	1	30-51-0073	CLAMP, DEVICE,
6	1	30-00-0010	SCR CAP SOCKET HD #8 X 9/16
7	1	30-63-0006	THERMAL PAD
8	2	30-03-0002	WASHER LOCK #8

1) Check the installation of headers and capacitors

Check orientation of all headers. All headers must be mounted flush to PCB.

- The center notch of J2 should face the bottom edge of the board.
- The edged tab of J3 should face the bottom edge of the board.
- The edged tab of J1 should face the left edge of the board.
- Check for the installation and orientation of all electrolytic capacitors.

2) Attach the Support Bracket to the PCB

1. Install support bracket (Line 6# 30-51-0105) on solder side of board through the 2 slots in the middle of the PCB. Check that the bracket is flush to the underside, bend tabs outward to secure the bracket in place.

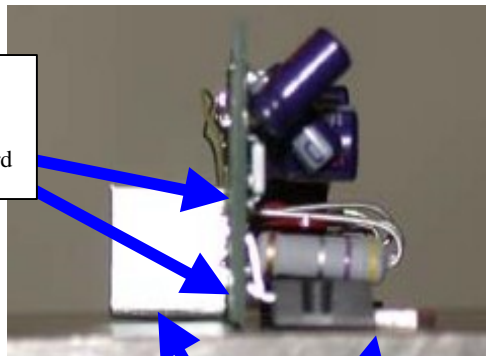


Notch fits into slot and shelf sits on PCB underside

Twist tabs to secure bracket to PCB

2. Inspect the flatness of the assembled PCB. Lay the assembled PCB on a reference flat surface. Confirm that the front face of the IC and the front of the support bracket lie flat on the surface. Maximum out of flatness tolerance is **.5 mm** (.020 inches)). If part exceeds tolerance, do not use and set aside for rework.

Note that the notches on the top edge of the support bracket are bent outward

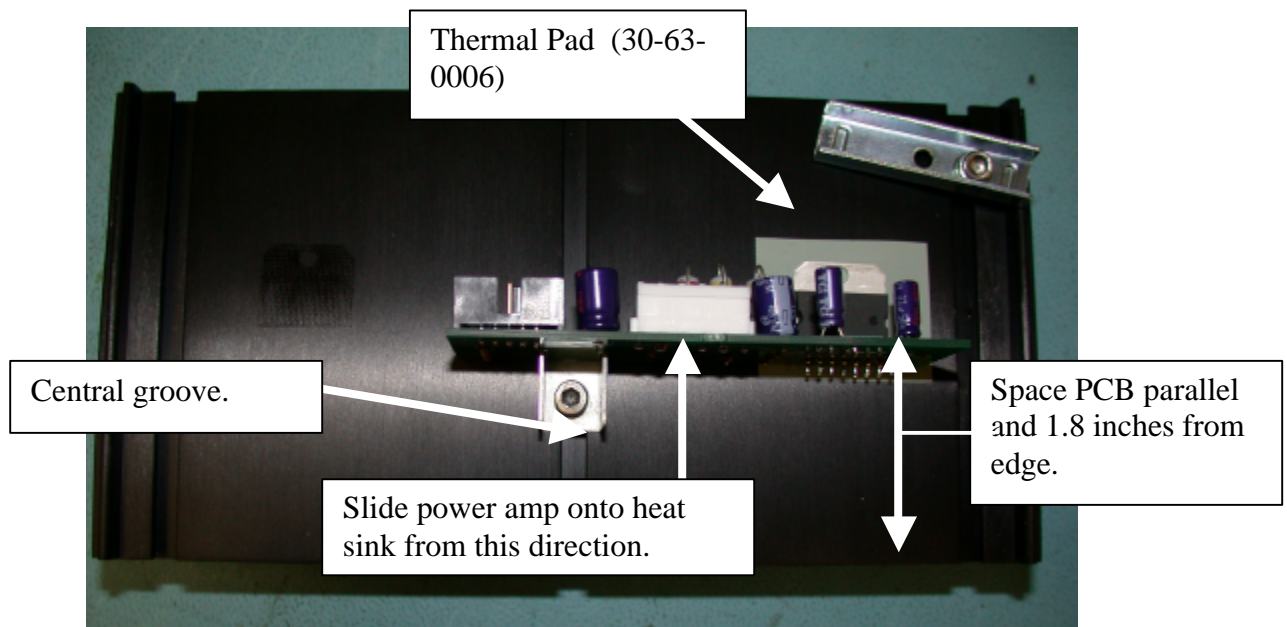


Inspect to see that both the IC's and support bracket is co-planar

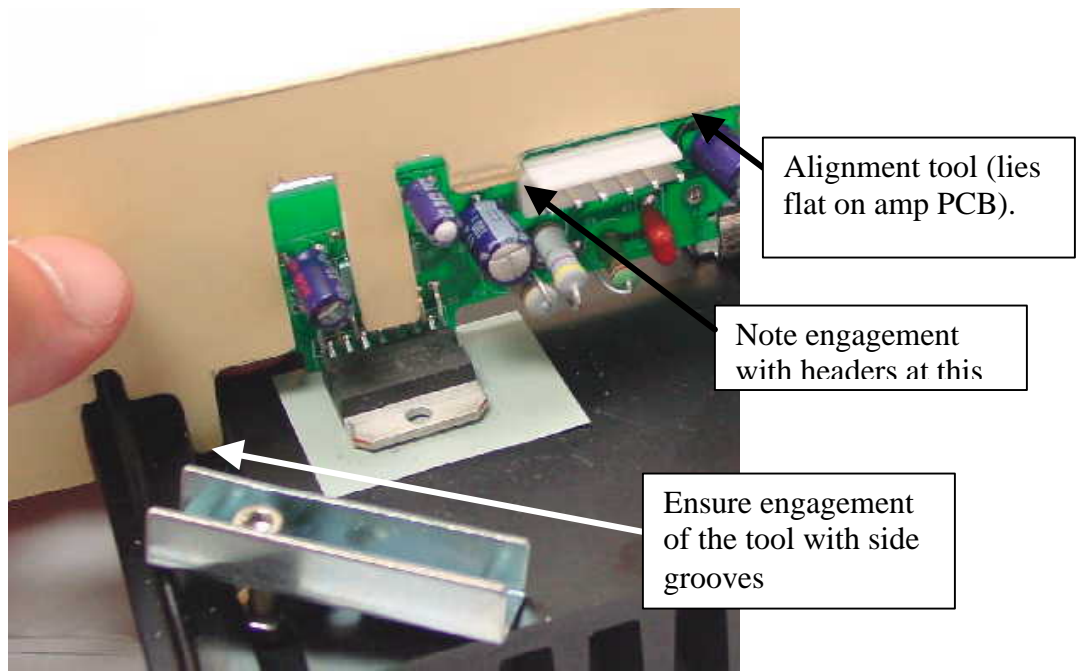
3) Secure the PCB assembly to the heat sink with the device clamps

It is recommended that the following procedure be done using the supplied tool to ensure accurate board placement and sufficient clearance for critical components – contact Line 6 manufacturing engineering for details)

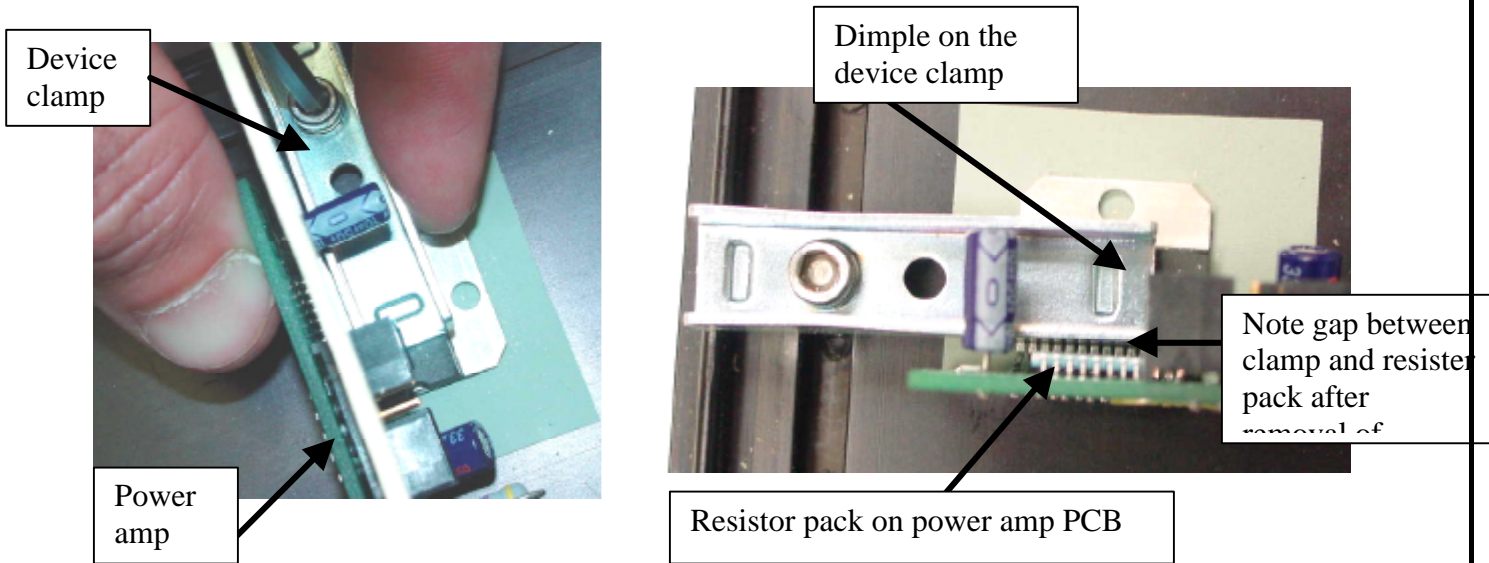
1. Partially assemble 1 device clamp using an #8 socket head cap screw (30-00-0010), #8 lock washer (30-00-0002) and #8 hex nut (30-06-0007). Slide assembly into the edge groove on the heat sink letting them lie loose upon placement.
2. Loosely secure a 5/16 #8 Socket head cap screw (30-00-0010) with a lock washer (30-03-0002) to the support bracket using a #8 hex nut (30-06-0007).
3. Mount thermal pad (30-63-0006) to U1 power amp I.C. Slide the PCB assembly onto the heat sink 1.80 inches (**45 mm**) allowing the #8 cap screw to slide up the central groove. Insert the thermal pad under the IC covering the underside as shown in the figure below. Ensure that the board lies parallel to the top and bottom surfaces of the heatsink.



4. Insert the Line 6 supplied Power Amp PCB alignment tool onto the board surface as shown in the figure below. The tool will ensure parallel alignment of the board to the Heat sink edge. When fully engaged snug tighten the #8 cap screw on the support bracket.



5. With the alignment tool still in place, position the device clamps over the IC ensuring that the edge of the alignment tool is pinched between the edge of the device clamp and the top surface of the resistor pack on the PCB. When positioned as shown in the figure below, snug tighten the #8 cap screws. Ensure that dimple fully sits upon the surface of the IC.



6. Tighten the #8 cap screw on the support bracket to **12 inch-lbs**. Tighten the cap screws on the device clamps to **12 inch-lbs** and remove the alignment tool. Ensure that a suitable gap of between **1 mm min to 2 mm max** exists between the device clamp and resistor packs (see figure above for step 5). Observe if the board is parallel and exhibits no significant flex or stress (see figure below).

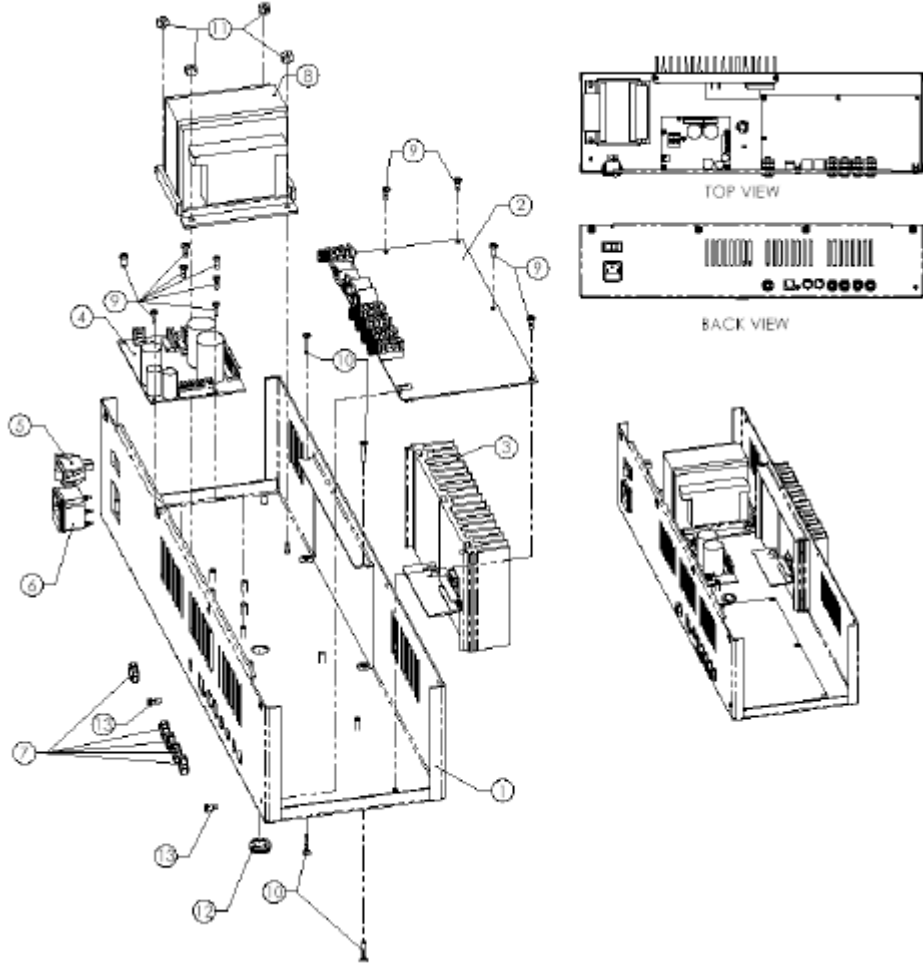
7. After both the device and support bracket are tightened to heat sink, solder leads of U1 to pads.



PCBA POWER AMP 50-00-0162

HEATSINK 30-51-0059

The Chassis Assembly – 112 Configuration (50-00-0209)



ITEM	QTY	LINE6 PART NO	DESCRIPTION
1	1	50-00-0207	CHASSIS 112
2	1	50-00-0088	PCBA, MAIN BOARD 112
3	1	50-00-9103	PCBA, POWER AMP
4	1	50-00-0147	PCBA, POWER SUPPLY
5	1	24-06-0001	ROCKER SWITCH
6	1	21-14-0002	JACK IEC W/FUSE MALE
7	6	N/A [INCL ASSY]	NUT, JACK
8	1	11-30-0002	XFMR 100V\120V 50/60HZ CLASSIC FT3
9	11	30-00-0607	6-32UNC SCREW W-WASHER
10	4	30-00-0018	SCR, 6-32 X .5, FL H PHIL, SELF TAPPING
11	4	30-06-0011	NUT NYLOCK #8-32
12	1	30-75-9600	GROMMET, RUBBER
13	2	30-00-1632	PAN HEAD PHILIPS SCREW BL OXIDE
14	1	21-34-0031	CA ASSY, PWR AMP - OUTPUT
15	1	21-34-1806	CABLE EARTHING GREEN W/YELLOW STRIPE
16	1	21-34-0014-1	CA ASSY PWR SUPPLY - MAIN
17	1	21-30-0009-1	CA ASSY PWR AMP - MAIN
18	1	21-34-0021-4	CA ASSY PWR SUPPLY - PWR AMP
19	1	21-34-0034	CA ASSY MAIN SWITCH
20	1	21-34-0035	CA ASSY JUMPER MAIN SWITCH
21	1	21-34-0037	CA ASSY OUTPUT - SPEAKERS (112, 112+ ONLY)

Assembly of the 112 chassis Configuration is almost identical to the procedure for the 212/112+. The assembly procedure is:

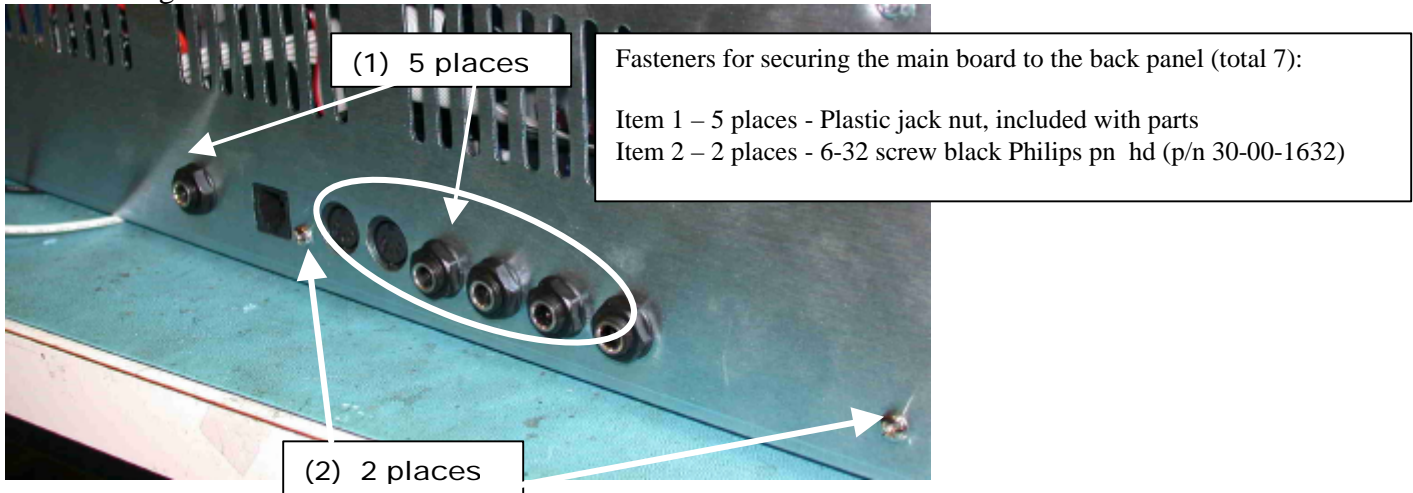
- a) *Mount transformer/cable assembly into chassis* follow procedure on pg 9
- b) *Install the power amp assembly* follow procedure pgs 9-10
- c) *Install the power supply PCBA* follow procedure pgs. 10-11
- d) *Install the output PCBA* not done for the 112/skip to step (e)
- e) *Ground AC receptacle and mount AC receptacle and rocker switch to chassis.* follow procedure pgs 12-13

f) *Install Main PCBA.*

- 1) The 112 main PCBA (50-00-0088, see figure below left) does not contain the XLR output nor the level trim knob that the 212 main PCBA contains. Note that the 112 chassis (50-00-0207), contains fewer corresponding through holes (below right).



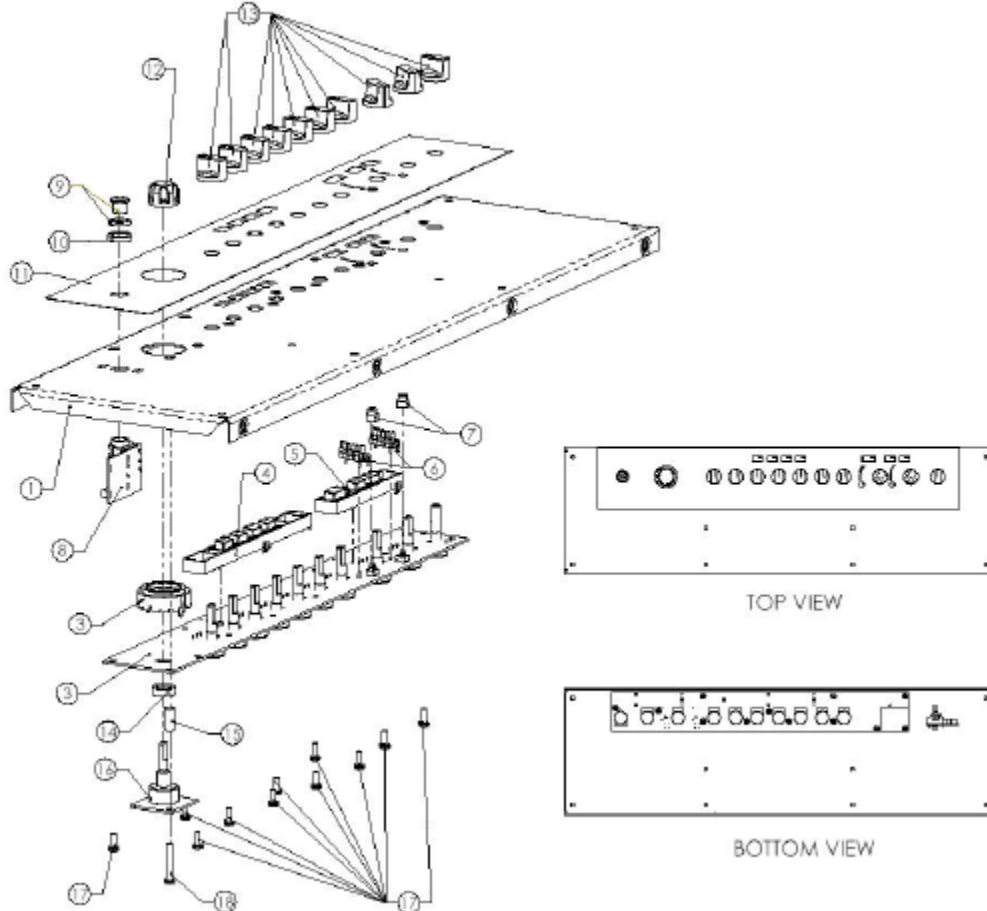
- 2) Place the main PCBA into the 112 chassis. Loosely secure the PCBA board to the standoffs at the 4 positions indicated on step (4) at the top of page 14. Apply fasteners to the back panel as per figure below right.



- g) *Install grommet.*
- h) *Install cabling.*

follow procedure pg. 14
follow procedure pg. 15

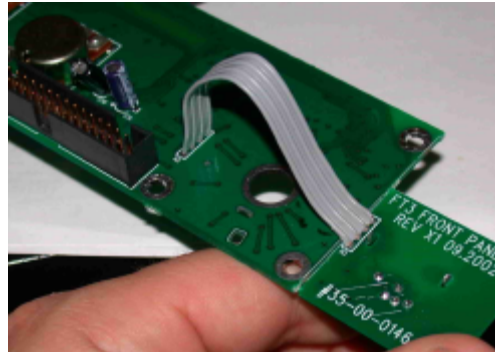
The Chassis Cover Assembly



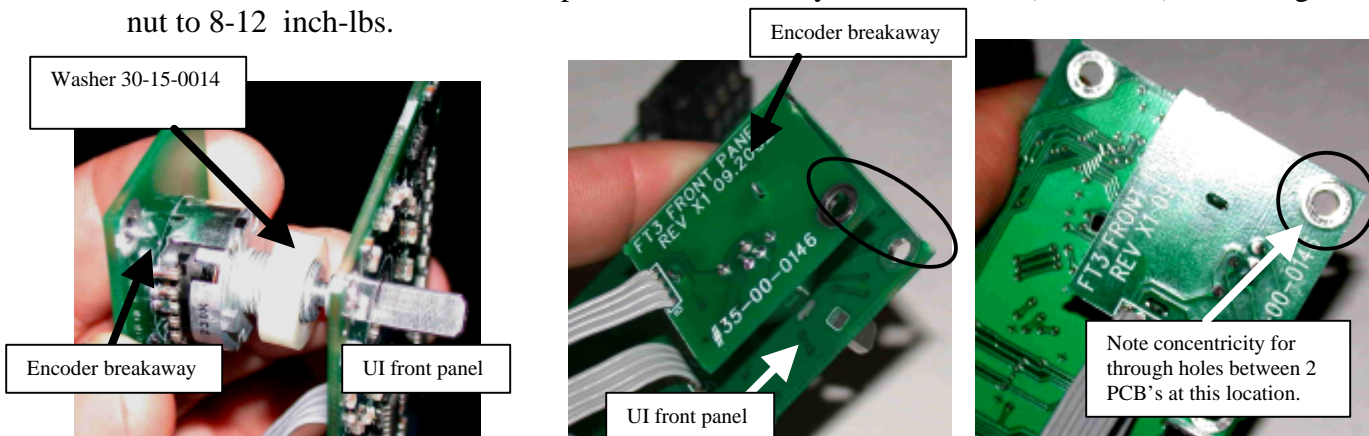
ITEM	QTY	LINE 6 PART NO	DESCRIPTION
1	1	30-51-0117	CHASSIS COVER, SHARCTONE
2	1	35-00-0146	PCBA, USER INTERFACE, SHARCTONE
3	1	30-27-0049	LIGHT PIPE 2-SHOT
4	1	24-21-1122	SWITCH CAP
5	1	50-00-0238	ASSY ART SWITCH CAP
6	2	30-27-0060	LIGHT PIPE 6-PIN
7	2	30-27-0061	SELECT BUTTON
8	1	30-51-0169	PCBA, GUITAR INPUT
9	1	N/A	NUT AND WASHER (INCL IN GUITAR IN PUT ASS)
10	1	30-15-0004	SPACER
11	1	50-00-0234	OVERLAY
12	1	30-27-0054	KNOB BI-DIRECTIONAL CREAM
13	10	30-45-2000-2	KNOB STANDARD CREAM
14	1	30-15-0014	SPACER .615 X .386 X .189
15	1	30-15-0016	SPACER 6.35 X 3.73 X 15MM LG
16	1	N/A	BREAKAWAY, PCBA USER INTERFACE
17	11	30-00-0607	SCREW 6-32 X 7/16 PN HD PHIL W/CAPTIVE LOCKWASHER
18	1	30-00-0035	SCREW 6-32 X 1 PN HD PHIL W/CAPTIVE LOCKWASHER
19	1	21-34-0036	CABLE ENCODER

a) Complete the UI front panel.

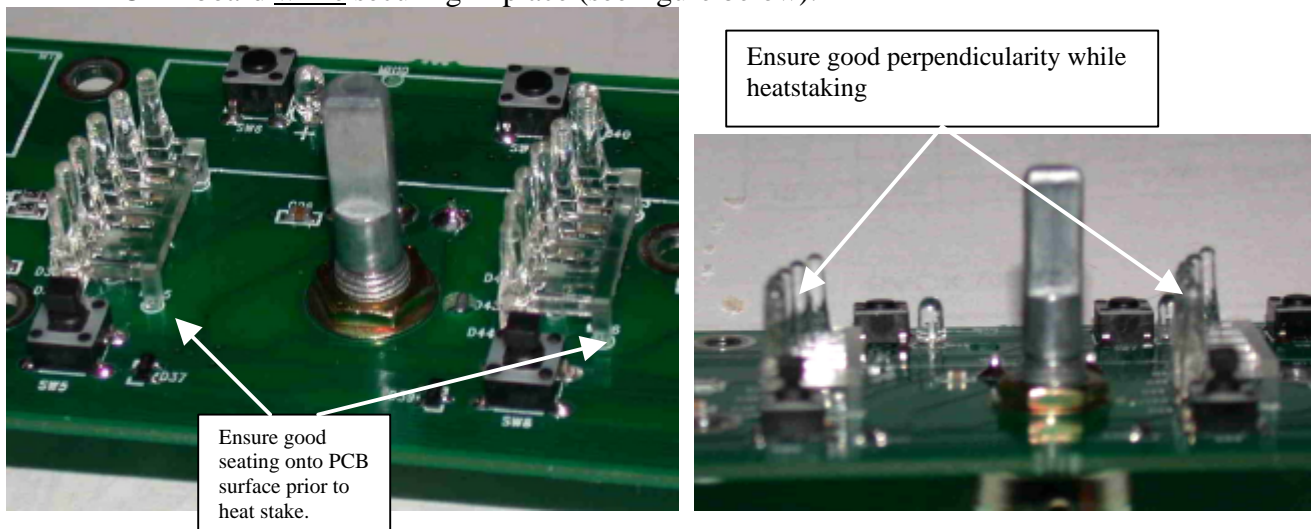
- 1) Inspect the UI front panel (35-00-0146) and ensure all pots, encoders, LED's and tack switches are soldered flat to the PCB surface. Inspect for concentricity for shafts with the silkscreen artwork.
- 2) Solder cable the encoder cable (21-34-0036) between K2 and H3 (see below).



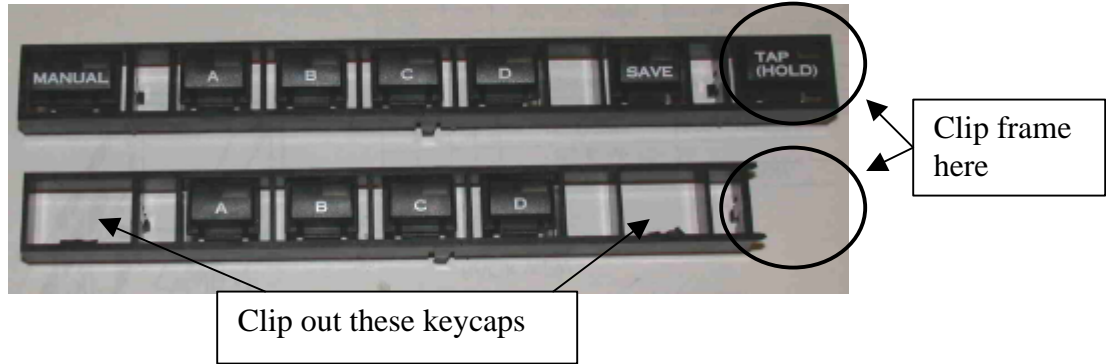
- 3) After soldering, snap off encoder PCB, apply the spacer over the shaft and pass the encoder through the circular cutout (see figure). Finger snug the nut and washer on the encoder and check that (1) the shaft of the encoder is concentric with the though hole and that (2) the corner 6-32 screw clearance holes between the front panel and breakaway are concentric (see below). Finish tightening nut to 8-12 inch-lbs.



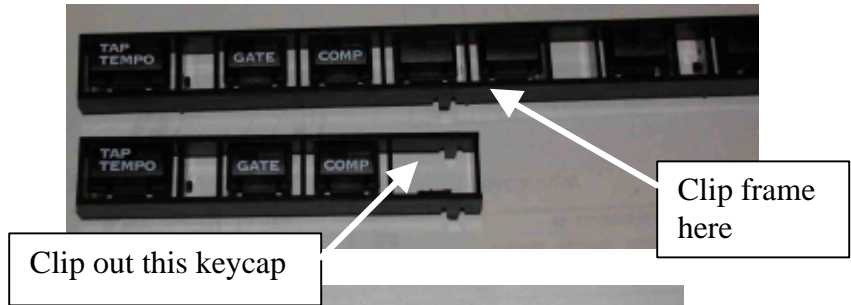
- 4) Heat stake the 2 light pipes (30-27-0060) to the front panel at the though holes adjacent to the 2 tack switches (see figure below left). Ensure that the shafts of the light pipes perpendicular to the PCBA board while securing in place (see figure below).



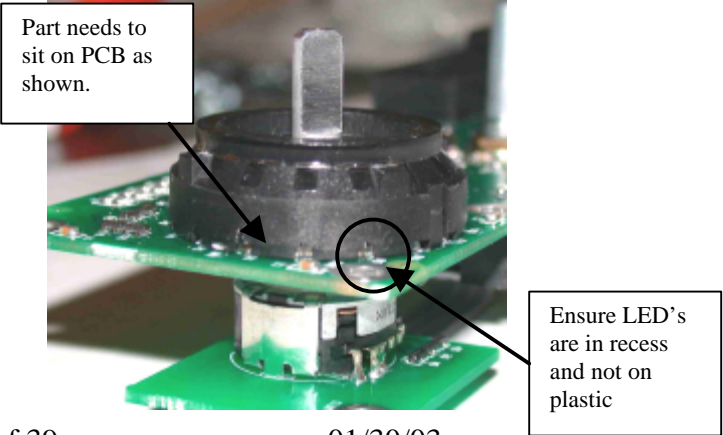
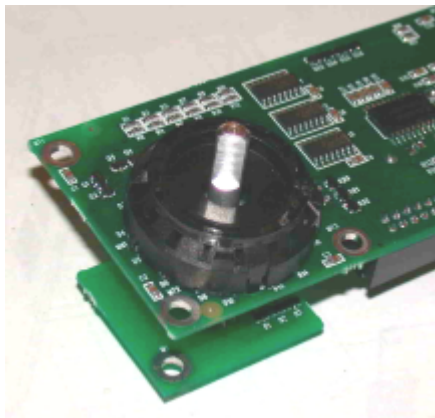
5) Clip the indicated keycaps and framing from the switch cap (24-21-1122). Install on the front panel at position M1.



6) Clip the indicated keycaps and framing from the assy art switch cap (50-00-0238) and install on the front panel as indicated below.

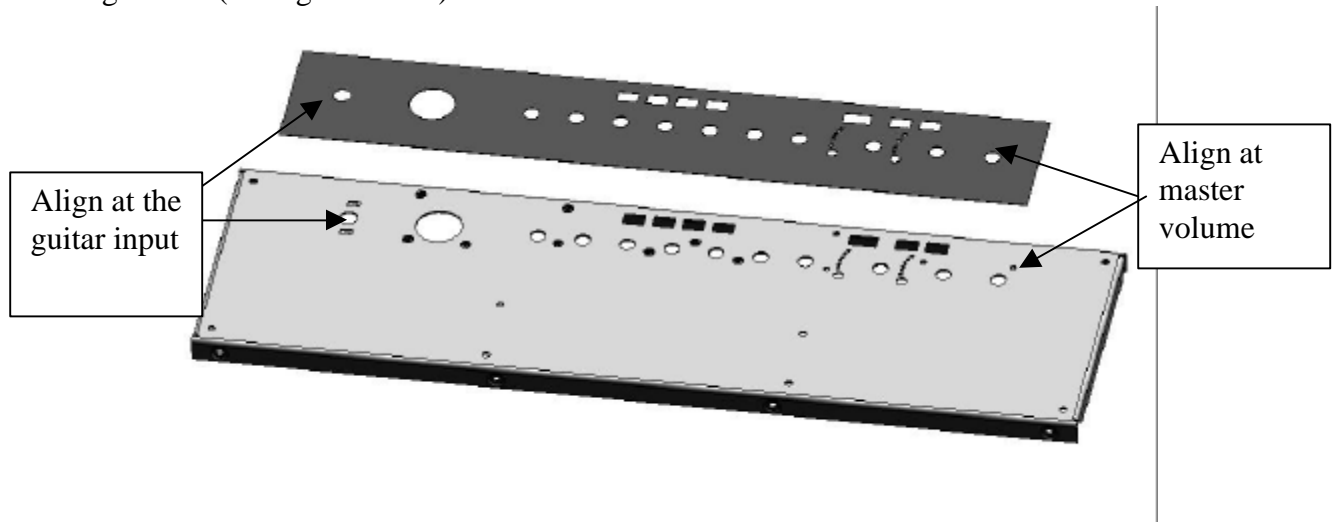


7) Install the 2-shot light pipe (30-27-0049) over the main encoder. Check that the part is fully clipped onto the panel and does not sit on any of the LED's. Also confirm that it sits concentric with the opening. If it does not, remove the light pipe, loosen the hex nut and adjust the concentricity of the shaft to match the silkscreen hole. Re install the light pipe and confirm concentricity.

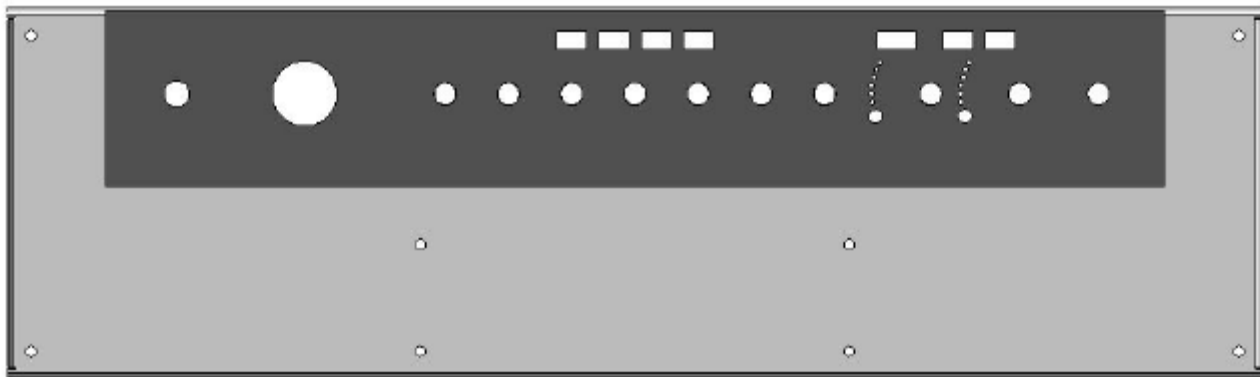


b) Apply the overlay to the chassis cover

- 1) The overlay (50-00-0234) is indexed with the chassis cover (30-51-0117) at the holes for the guitar input and at the jewel light. At these 2 (see figure immediately below) the diameter for the holes on both the cover and overlay are the same. An alignment tool is required for this step and contains a flat surface with 2 pins, set to the diameter and locations for the input hole and the master volume through holes (see figure below).



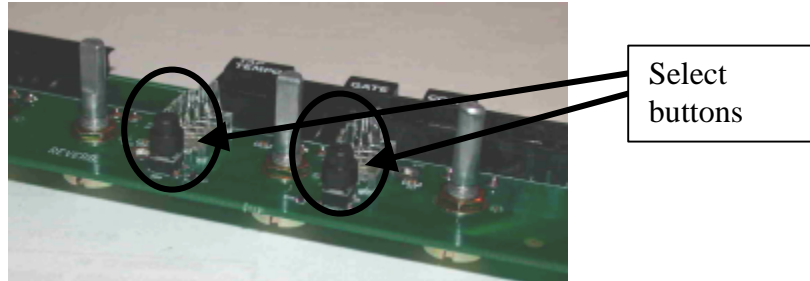
- 2) Remove the protective backing from the overlay and set the part into the alignment tool silkscreen side down.
- 3) Inspect the chassis cover and clean away any dust or debris from this surface. When suitably clean, slide the cover onto the tool, ensure it has made full contact with the overlay.
- 4) Remove the chassis cover from the tool and smooth out the overlay. And inspect for a satisfactory alignment. Leave clear protective cover on the overlay.



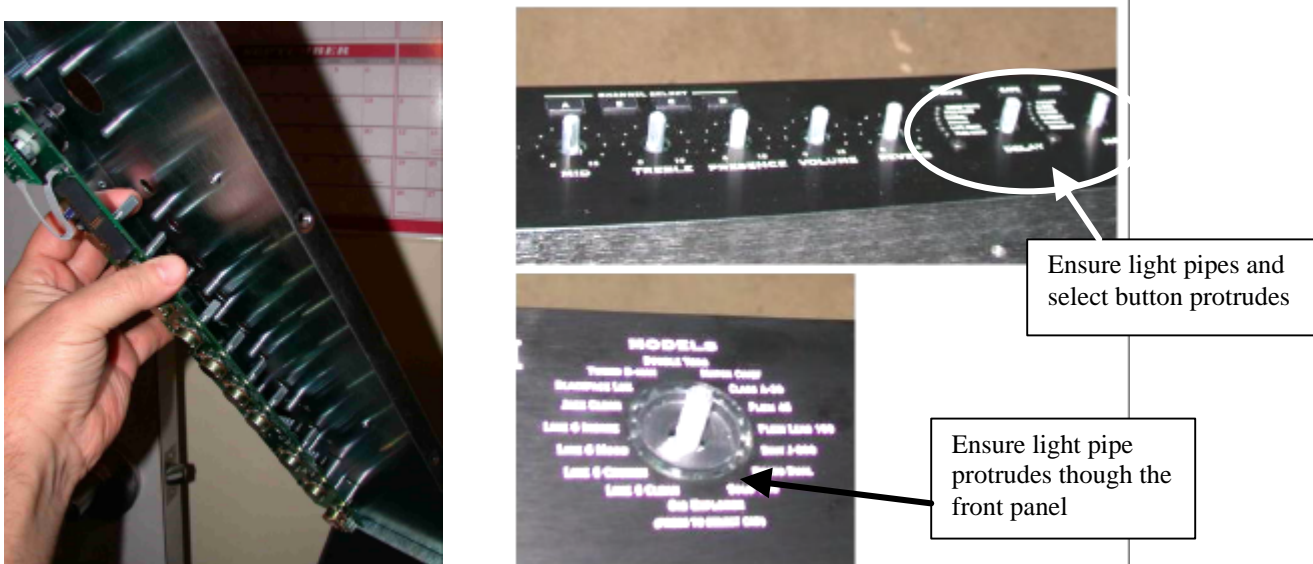
FROM THIS STEP FORWARD COTTON GLOVES SHALL BE USED IN THE ASSEMBLY PROCESS WHERE POTENTIAL CONTACT WITH THE OVERLAY COULD OCCUR.

c) Install the User Interface PCBA and guitar input PCBA to the chassis cover.

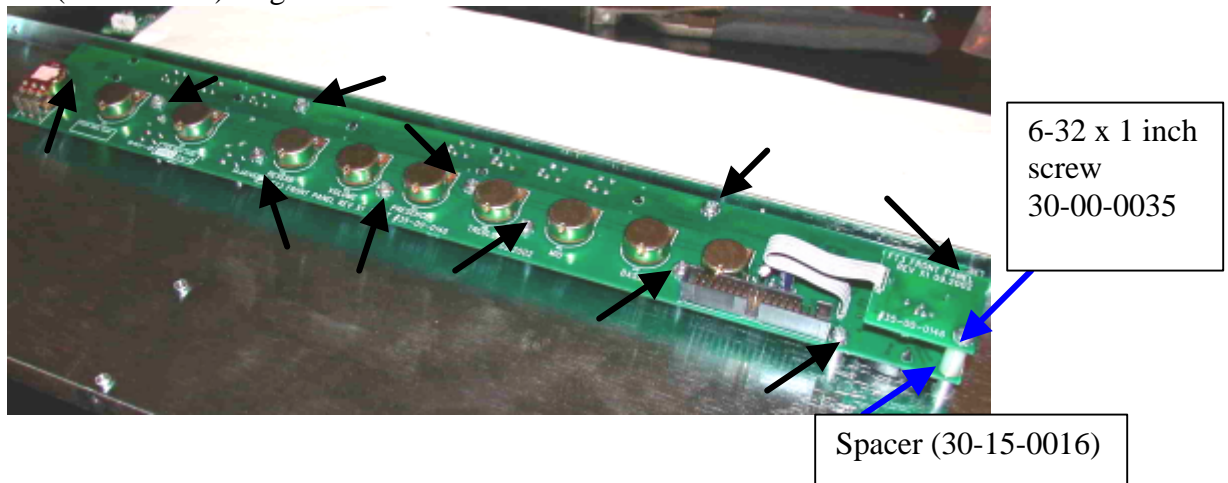
- 1) Immediately prior to installing the UI PCBA (35-00-0146) to the chassis cover, install the 2 plastic select buttons (30-27-0061) onto the tack buttons on the UI front panel as shown below. (NOTE: these do not clip in and can come loose before installation – do not tip the panel as the buttons may fall off).

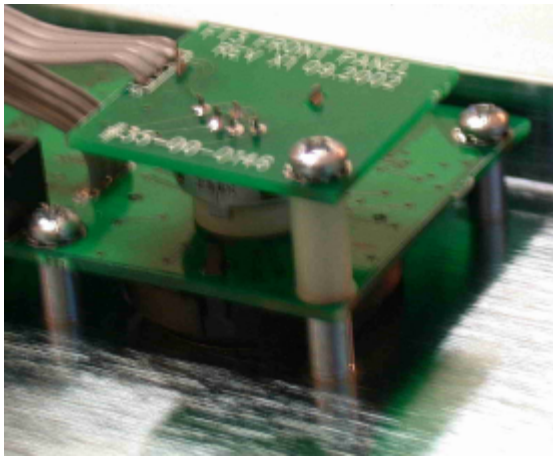


- 2) Install the UI front panel into the chassis cover without inverting the PCBA (see below). Ensure that the light pipes, select buttons and switch caps protrude without interference. Ensure that the encoder light pipe protrudes through the overlay and sits about .020 inch over the surface.



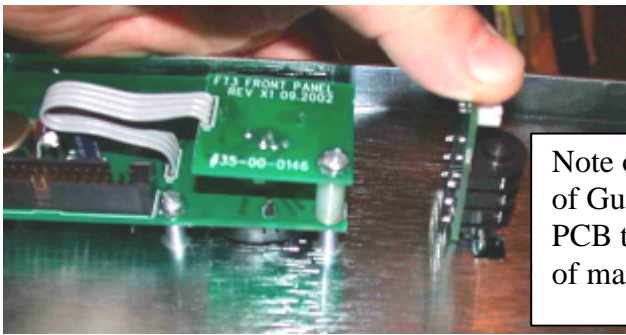
- 3) Secure the front panel to the chassis cover using 11 6-32 PHPS (30-00-0607) at the locations indicated. Secure and align the breakaway PCB using the long spacer (30-15-0016) and 1 inch long 6-32 PHPS (30-00-0035). Tighten the 1-inch screw to 8 inch - lbs max.





Detail view of final orientation for breakaway

- 4) Install the guitar input PCBA to the chassis at the location indicated in the photo below. Apply a spacer washer (30-15-0004) to the upper surface prior to securing the shaft with the supplied plastic washer and hex nut (below right). Torque 5-6 in/lb



Insert washer (30-15-0004)



d) Install the knobs onto the front face.

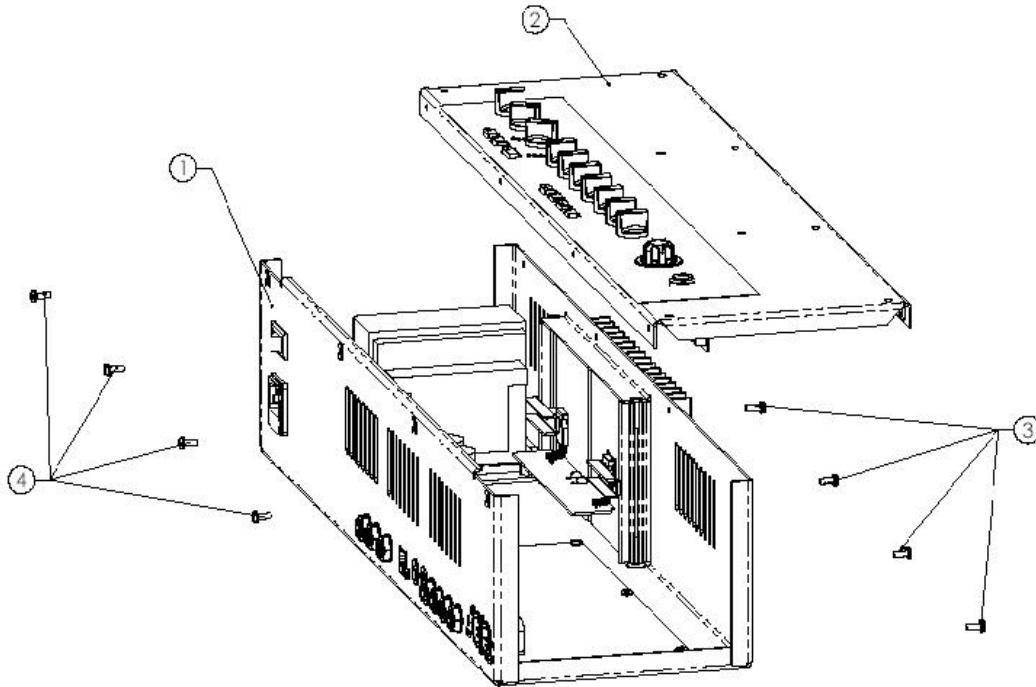
- 1) Install the 1 knob P/N 30-27-0054 to the encoder and 10 knobs P/N 30-45-2000-2 to the remaining positions indicated in the figure below.



Knob, bi-directional (30-27-0054), 1 place

Knob (30-45-2000-2), 10 places

Completing the Head Assembly for the 212, 112+ and 112



FOR 212 AND 112+ CONFIGURATIONS

ITEM	QTY	LINE6 PART NO	DESCRIPTION
1	1	50-00-0200	ASSY FULL, CHASSIS CLASSIC (212 AND 112+ CONFIGURATIONS)
2	1	N/A	ASSY FULL, CHASSIS COVER (ONE CONFIG ONLY FOR 212, 112+ AND 112)
3	4	30-00-0607	6-32UNC SCREW W-WASHER
4	4	30-00-0606	6-32UNC SCREW W-WASHER BL OX
5	1	21-34-9034	CA ASSY MAIN - FRONT
6	1	21-34-0015	CA ASSY GUITAR INPUT
7	1	21-34-0020-2	CA ASSY OUTPUT - SPEAKERS (212 COMBO ONLY)
8	1	21-34-0037	CA ASSY OUTPUT - SPEAKERS (112+)

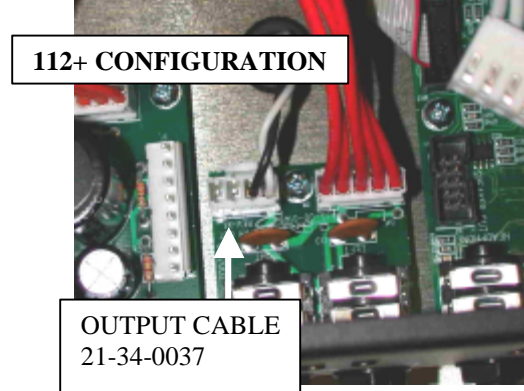
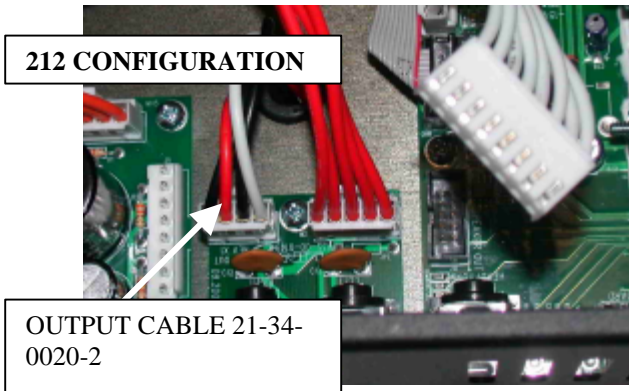
FOR 112 CONFIGURATION

LINE6 PART NO	DESCRIPTION
50-00-0209	ASSY FULL, CHASSIS CLASSIC (112 CONFIG ONLY)
N/A	ASSY FULL, CHASSIS COVER (ONE CONFIG ONLY FOR ALL 212, 112+ AND 112)
30-00-0607	6-32UNC SCREW W-WASHER
30-00-0606	6-32UNC SCREW W-WASHER BL OX
21-34-9034	CA ASSY MAIN - FRONT
21-34-0015	CA ASSY GUITAR INPUT
21-34-0037	CA ASSY OUTPUT - SPEAKERS (112)

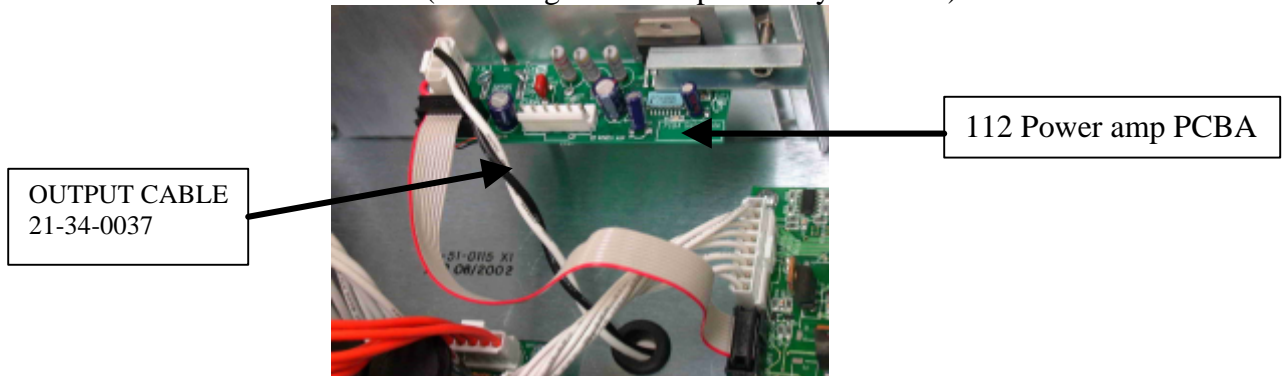
a) Install the output cable

212 configuration: Use output cable (21-34-0020-2) and install it at H3 on the speaker output PCB (see figure below left). Ensure that the cable is wound approximately 1 turn every inch. Run the cable out the through hole on the bottom of the chassis (confirm grommet is previously installed).

112+ configuration: Use output cable (21-34-0037) (different from the 212 cable) and install it at H3 on the speaker output PCB. Ensure that the cable is wound approximately 1 turn every inch. Run the cable out the through hole on the bottom of the chassis (confirm grommet is previously installed).

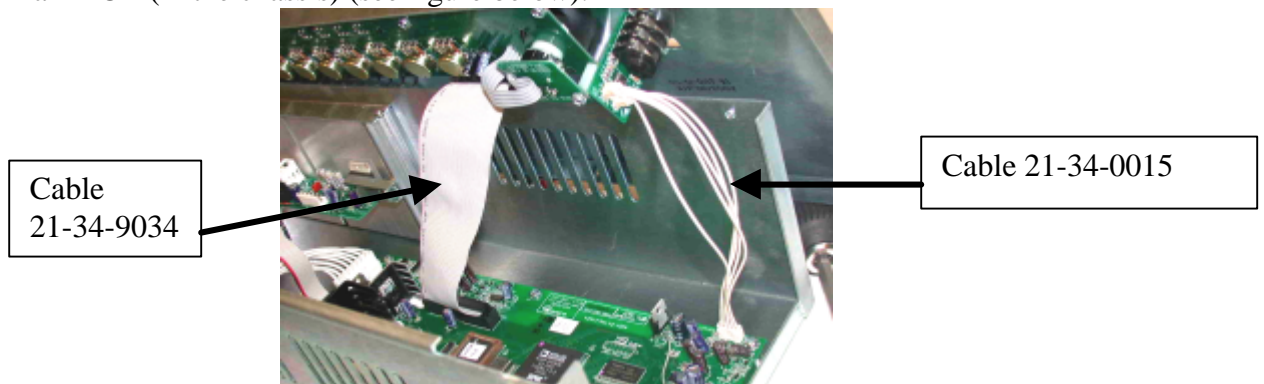


112 configuration: Use output cable (21-34-0037) (different from the 212 cable) and install it at XX on the power amp PCB. Ensure that the cable is wound approximately 1 turn every inch. Run the cable out the through hole on the bottom of the chassis (confirm grommet is previously installed).



a) Attach the cover to the chassis (212, 112+ and 112 configurations)

- 1) Install 34-pin ribbon cable (21-34-9034) between the UI panel (in the cover) and the main PCB (in the chassis). Install guitar input cable between the guitar input PCB (in the cover) and HI header on the main PCB (in the chassis) (see figure below).



- 2) Secure the cover using 4 black anodized 6-32 screws (w/captive lock washer) (30-00-0606) on the input side of the chassis and 4 6-32 PHPS (30-00-0607) on the heat sink side of the chassis.



Secure cover with black screws (30-00-0606) on the back panel

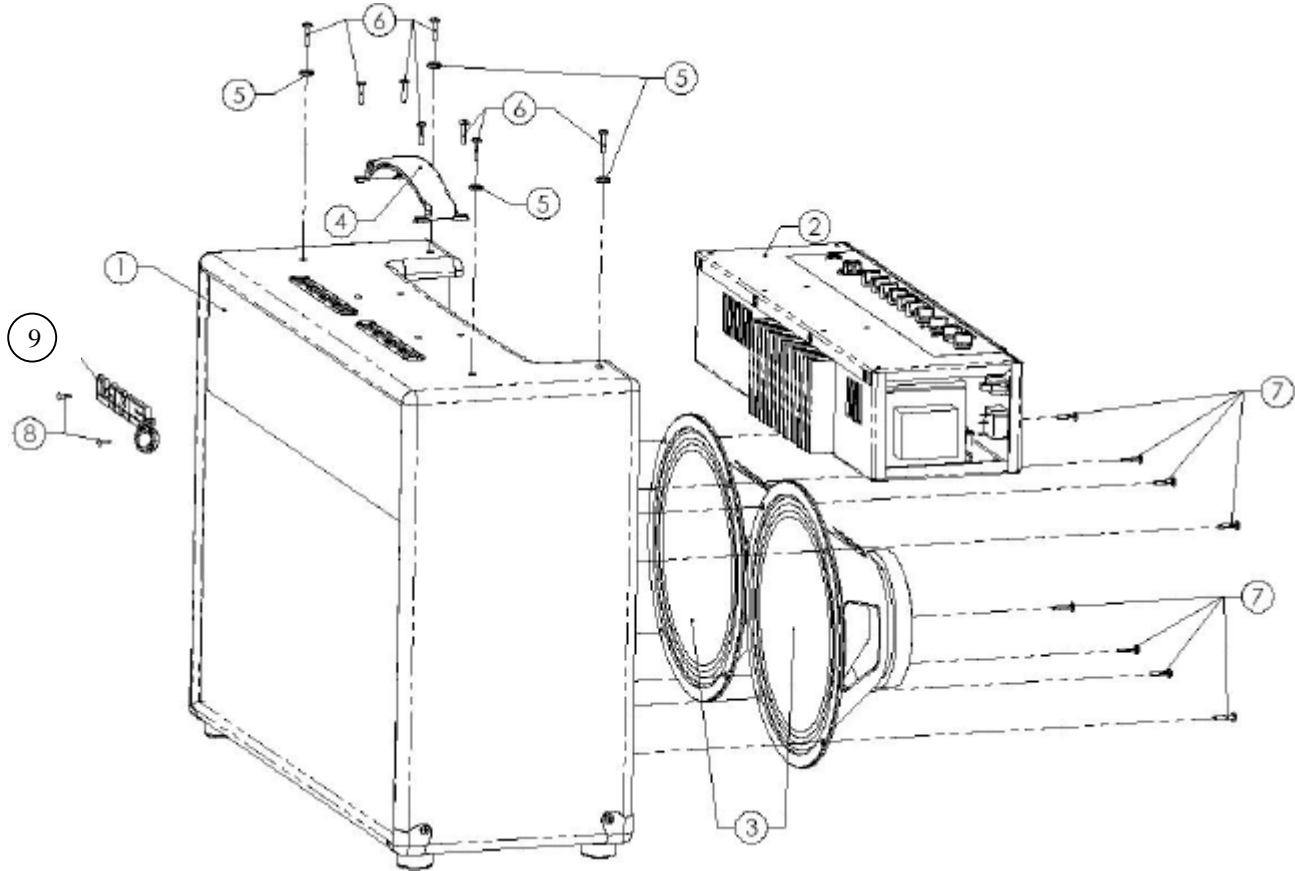


Secure cover with standard screws on front of unit (30-00-0607)

IMPORTANT NOTE:

JA units are required to have a new voltage sticker applied, to cover the 100/120v silkscreen portion.
Cover up sticker is p/n #40-25-0017

Completing the Combo 212 Unit



ITEM	QTY	LINE6 PART NO	DESCRIPTION
1	1	50-00-0232	ASSY, FULL, SPEAKER CABINET, 212
2	1	N/A	ASSY FULL HEAD (212 CONFIGURATION)
3	2	11-20-1208	SPEAKERS, CELESTION
4	1	30-57-0001	HANDLE STRAP
5	4	30-03-0110	WASHER, FINISHING, #10, BL
6	8	30-00-1032	SCR, 10-32 X 1.25, PH, OVAL, NI
7	8	30-00-0015	SCR, 10-24 X 1 INCH, PHIL, PH, BL OXIDE
8	2	30-00-9358	SCR #3 1/2"LG OVAL CTSK PHH
9	1	30-60-0004	LOGO

a) Mount the speakers into the cabinet

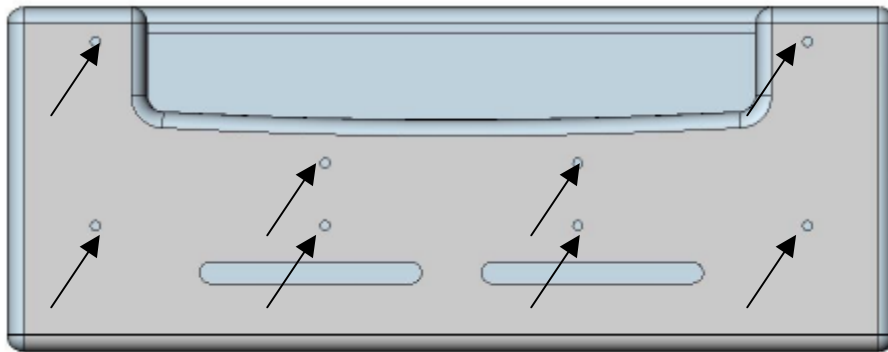
- 1) Mount the speakers (11-20-1208) into the cabinet using 8 10-24 black oxide phil screws (30-00-0015). Ensure that the wire attachment clips are pointing up (see figure).

Correct orientation for faston clips



b) Mount the chassis into the cabinet and attach the speaker cables.

- 1) Punch the vinyl wrap covering the through holes on the cover of the cabinet (50-00-0232). **REMOVE ANY EXCESS MATERIAL THAT MAY EXIST ON THE UNDERSIDE OF THE COVER THAT MAY OBSTRUCT THE THROUGH HOLES.**



- 2) Install the chassis mounting hardware. This includes 8 #10-32 Ni-oval hd phil screws (30-00-1032), 4 Ni-finishing washers (30-03-0110) and the handle (30-57-0001). Inspect the underside of the cover to ensure that the threads on the screws are clear of any excess vinyl.



- 3) Position the chassis inside the cabinet. Locate the tapped holes in the chassis and hand tighten screws 2-3 turns (see figure below left). After all screws are located then use driver tightening to approx 12-inch pounds.
- 4) Secure the speaker cables onto the fastons. Follow the scheme below.



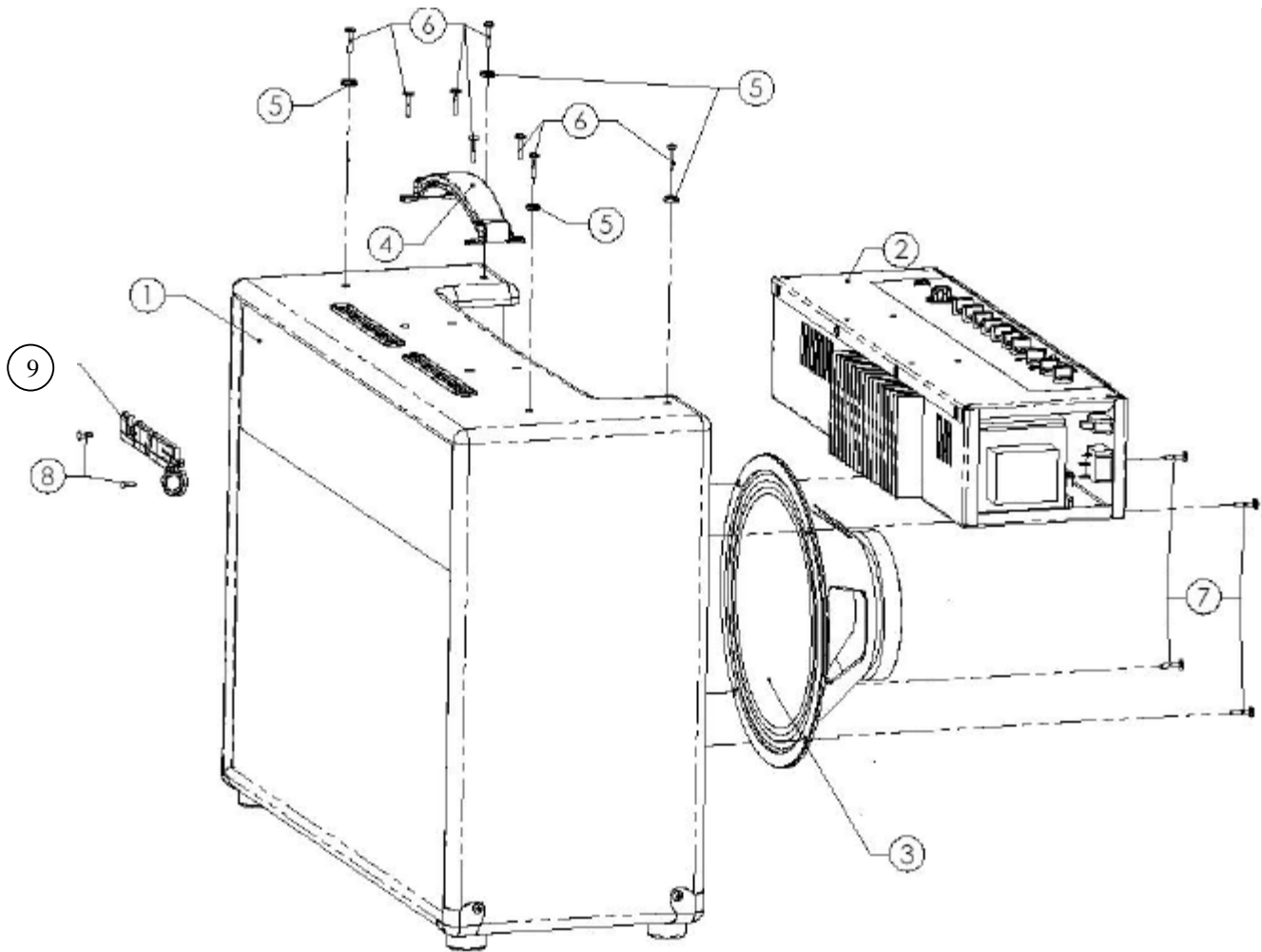
c) Install logo.

- 1) Install the logo onto the front of the cabinet as shown below. Secure using 2 #4 oval hd screws (30-00-9358). LOGO p/n is 30-60-0004.



NOTE: PHOTO SHOWS THE OLD LOGO. NEW LOGO MUST BE USED

Completing the Combo 112+ and 112 Units



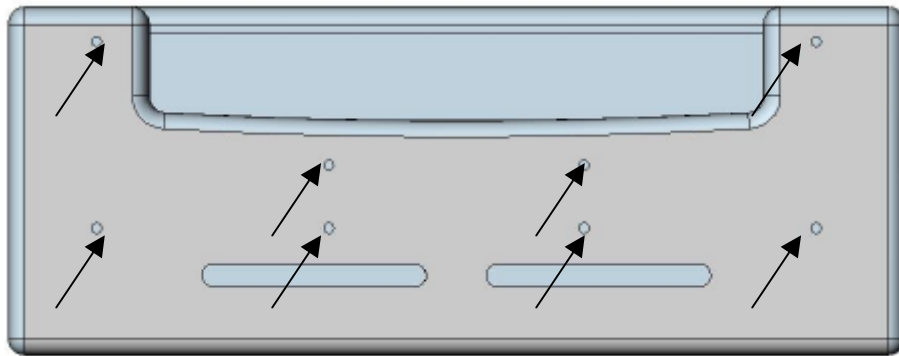
ITEM	QTY	LINE6 PART NO	DESCRIPTION
1	1	50-00-0233	ASSY, FULL, SPEAKER CABINET, 112
2	1	N/A	ASSY FULL HEAD (USE 112 OR 112+ CONFIGURATION AS DESCRIBED EARLIER)
3	1	11-20-1208	SPEAKERS, CELESTION
4	1	30-57-0001	HANDLE STRAP
5	4	30-03-0110	WASHER, FINISHING, #10, BL
6	8	30-00-1032	SCR, 10-32 X 1.25, PH, OVAL NI
7	4	30-00-0015	SCR, 10-24 X 1 INCH, PHIL, PH, BL OXIDE
8	2	30-00-9358	SCR #3 1/2"LG OVAL CTSK PHH
9	1	30-60-0004	LOGO

a) Mount the speakers into the cabinet

- 2) Mount the speaker (11-20-1208) into the cabinet using 4 10-24 black oxide phil screws (30-00-0015) 10-12 IN/LBS. Ensure that the wire attachment clips are pointing up (see figure on 212 combo for reference).

b) Mount the chassis into the cabinet and attach the speaker cables.

- 5) Punch the vinyl wrap covering the through holes on the cover of the cabinet. **REMOVE ANY EXCESS MATERIAL THAT MAY EXIST ON THE UNDERSIDE OF THE COVER THAT MAY OBSTRUCT THE THROUGH HOLES.**



- 6) Install the chassis mounting hardware. This includes 8 #10-32 Ni-oval hd phil screws (30-00-1032), 4 Ni-finishing washers (30-03-0110) and the handle (30-57-0001). Inspect the underside of the cover to ensure that the threads on the screws are clear of any excess vinyl (see 212 combo for reference).
- 7) Position the chassis inside the cabinet. Locate the tapped holes in the chassis and hand tighten screws 2-3 turns. After all screws are located then use driver tightening to approx 12-inch pounds.
- 8) Secure the speaker cables onto the fastons. Follow the scheme below.



c) Install logo.

- 1) Install the logo onto the front of the cabinet. Center the logo left to right and top to bottom as shown in the figure for the 212 cabinet. Logo #30-60-0004.

Test and Inspect the Completed Unit

To help ensure maximum quality of all products, it is the responsibility of the assembler to complete a post assembly inspection prior to sending the unit on to electrical testing and final inspection. This should help achieve one goal: no unit shall ever be returned from test and inspection for rework because of a mechanical defect that could have been corrected at the assembly stage. Remember that things that have already been inspected during assembly may have been inadvertently damaged during the assembly process. With this in mind, fully inspect the unit for mechanical defects. Things to look for include:

- Cosmetic damage to any visible surface of the unit. This includes but is not limited to: defects to the silk-screening – both front and back panel, dents, dings or scratches in all outer surfaces, smooth even surface color of the front panel, even paint coverage and texture to the top cover, scratched or fingerprinted lenses, scratches or fingerprints on buttons, damage to button text or keycaps, and/or visible process marks on knobs and other plastic parts.
- Proper complete assembly of all parts. This includes but is not limited to: Presence of all parts, flush full insertion of all screws. Even consistent spacing of knobs, proper centering of lenses in cutouts, etc.
- Proper mechanical function of all components. This includes re-testing all knobs for smooth consistent feel, testing all buttons for proper feel.
- Add stickers for inspection, serial number and AC voltage.

If there is any question about the quality of a unit, consult a supervisor for guidance. If the unit passes assembly inspection, the unit is complete and ready to proceed to electrical testing, final inspection, pack and ship.

END OF DOCUMENT.

IMPORTANT NOTE:

JA units are required to have a new voltage sticker applied, to cover the 100/120v silkscreen portion.

Cover up sticker is p/n #40-25-0017

PACK-OUT LIST (FLEXTONE-3)

- 1) 40-00-0019 CHART PRESET(1 PER).
- 2) 40-00-0073 SHEET ACCESSORY, DOME.....(1 PER).
- OR 40-00-0074 SHEET ACCESSORY, INTL.....(1 PER).
- NOTE: ACCESSORY MUST USE REV.I
- 3) 40-00-0009 MANUAL USER ,CLASSIC'S.....(1 PER).
- 4) 40-00-0010 BAG PLASTIC 43"x38"x004 CLEAR.....(1 PER).
- 5) 40-20-0011 BAG PLASTIC 10 x 16 2 MIL.....(1 PER).
- 6) I. 21-37-1160 CABLE, POWER US/JA..... (1 PER) OR:
ii. 21-37-1163 CABLE, POWER AU.....(1 PER) OR:
iii. 21-37-1167 CABLE, POWER EU..... (1 PER) OR:
iv. 21-37-1168 CABLE, POWER UK..... (1 PER).
- 7) 40-10-0006T FOAM CORNER, TOP.....(4 PER).
- 8) 40-10-0006B FOAM CORNER, BOTTOM.....(4 PER).
- 9) 40-10-0054 CARTON GIFT W/ART CLASSIC 212..(1 PER).
- 10) 40-10-0055 CARTON SHIPPING CLASSIC 212.....(1 PER).
- 11) 40-10-0048 CARTON GIFT W/ART FT3, 112, 112+.(1 PER).
- 12) 40-10-0049 CARTON SHIPPING FT3, 112, 112+.....(1 PER).

Completed Amp shipping settings:

Front Panel:

DRIVE, BASS, MID, TREBLE, PRESENCE, CHANNEL VOL to
12:00 O'Clock
REVERB, MOD, DELAY, MASTER to 7:00 O'Clock (fully
counter clockwise)

Rear Panel:

LEVEL TRIM: 12:00 O'Clock
GROUND LIFT: Ground
POWER SWITCH: Off