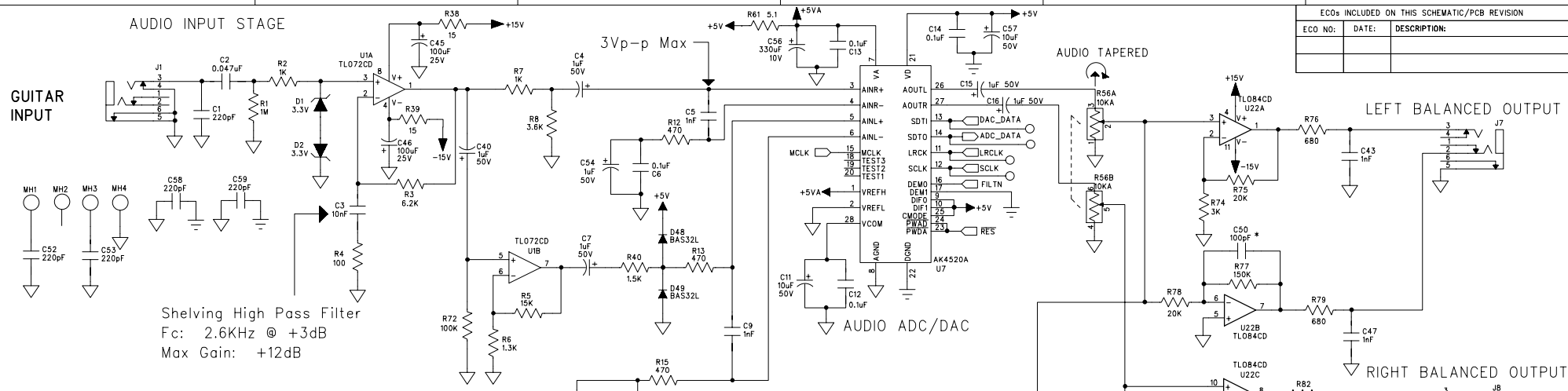
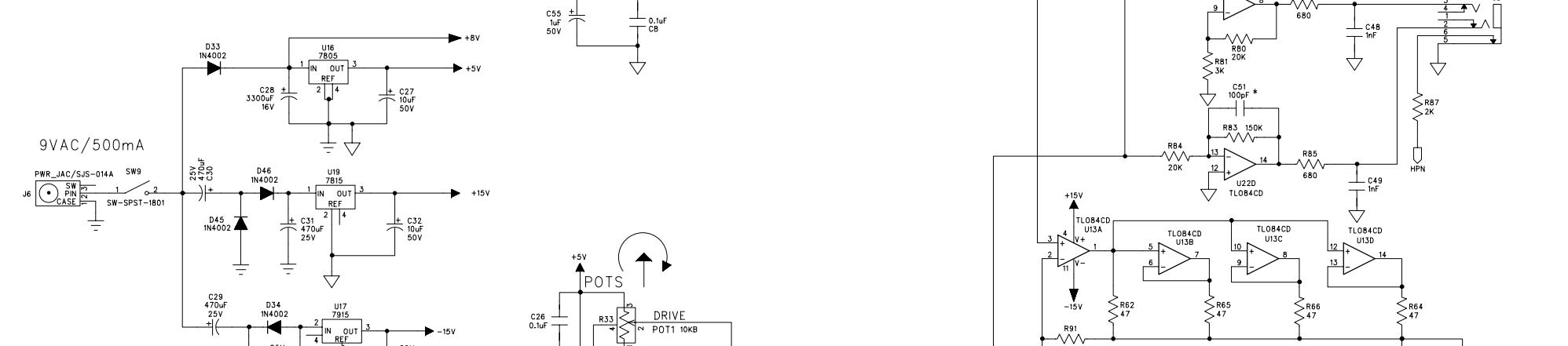


ECO# INCLUDED ON THIS SCHEMATIC/PCB REVISION		
ECO NO:	DATE:	DESCRIPTION:

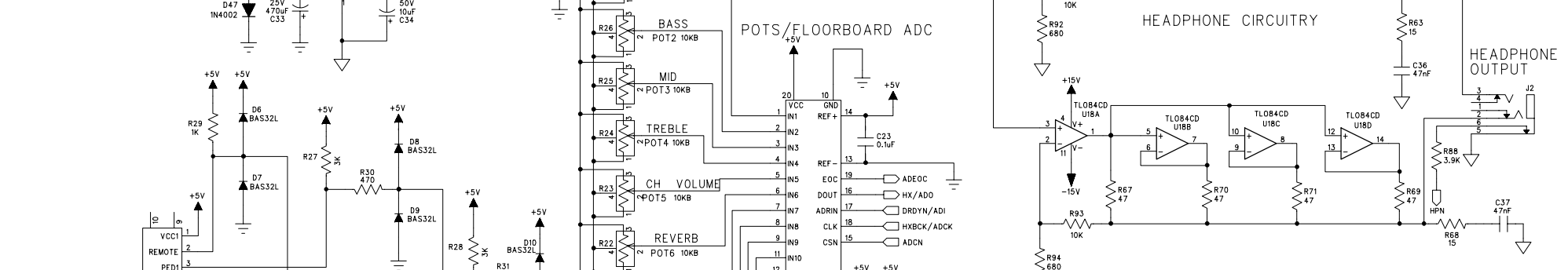
D



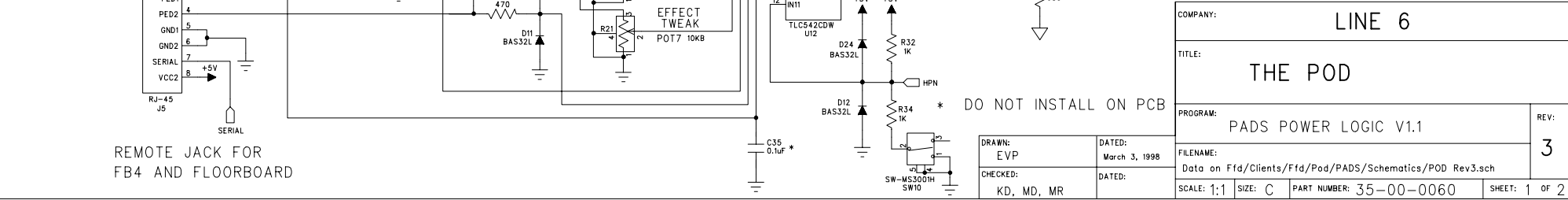
C



B



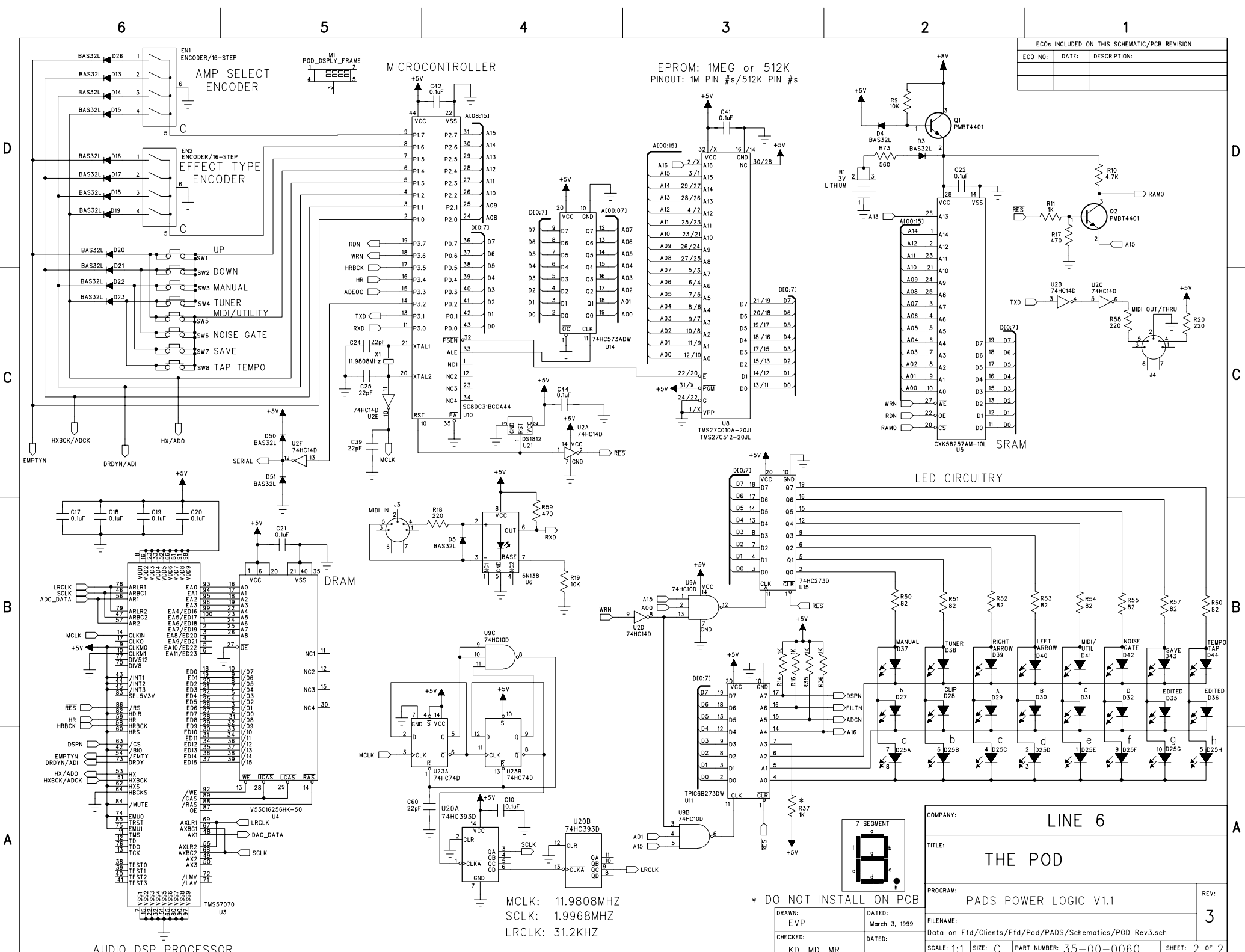
A



COMPANY:		LINE 6	
TITLE:		THE POD	
PROGRAM:		PADS POWER LOGIC V1.1	
FILENAME:		Data on Ftd/Clients/Ftd/Pod/PADS/Schematics/POD Rev3.sch	
SCALE: 1:1	SIZE: C	PART NUMBER: 35-00-0060	SHEET: 1 OF 2

DRAWN: EVP	DATED: March 3, 1998
CHECKED: KD, MD, MR	DATED:

DO NOT INSTALL ON PCB

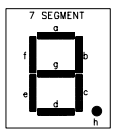


ECO# INCLUDED ON THIS SCHEMATIC/PCB REVISION		
ECO NO:	DATE:	DESCRIPTION:

COMPANY: LINE 6		REV: 3
TITLE: THE POD		
PROGRAM: PADS POWER LOGIC V1.1		
DRAWN: EVP		DATE: March 3, 1999
CHECKED: KD, MD, MR		DATE:
FILENAME: Data on Ffd/Clients/Ffd/Pod/PADS/Schematics/POD Rev3.sch		
SCALE: 1:1	SIZE: C	PART NUMBER: 35-00-0060
		SHEET: 2 OF 2

MCLK: 11.9808MHZ
 SCLK: 1.9968MHZ
 LRCLK: 31.2KHZ

* DO NOT INSTALL ON PCB



A

A

B

B

C

C

D

D

6

5

4

3

2

1

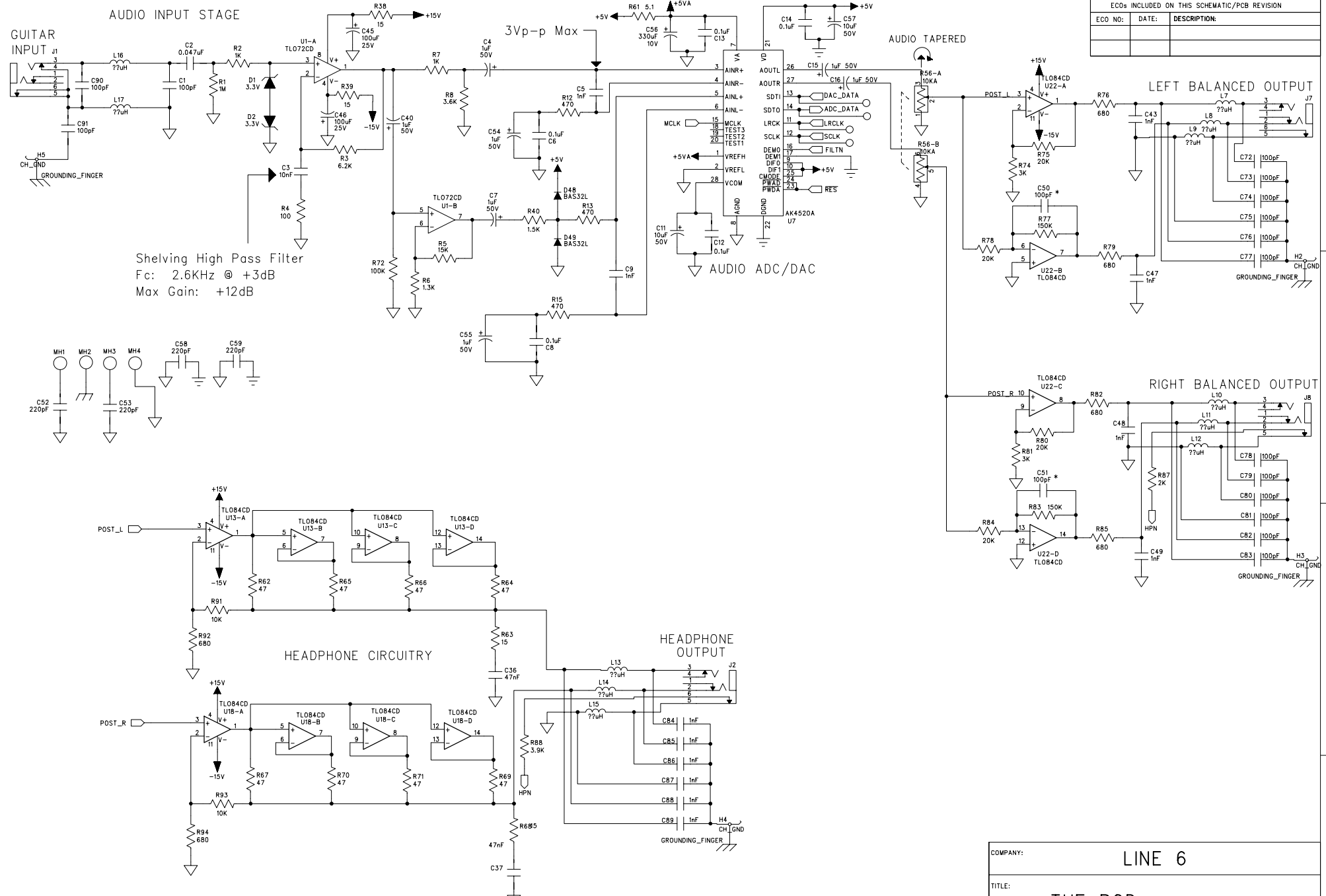
B

B

D

D

ECO#s INCLUDED ON THIS SCHEMATIC/PCB REVISION		
ECO NO:	DATE:	DESCRIPTION:

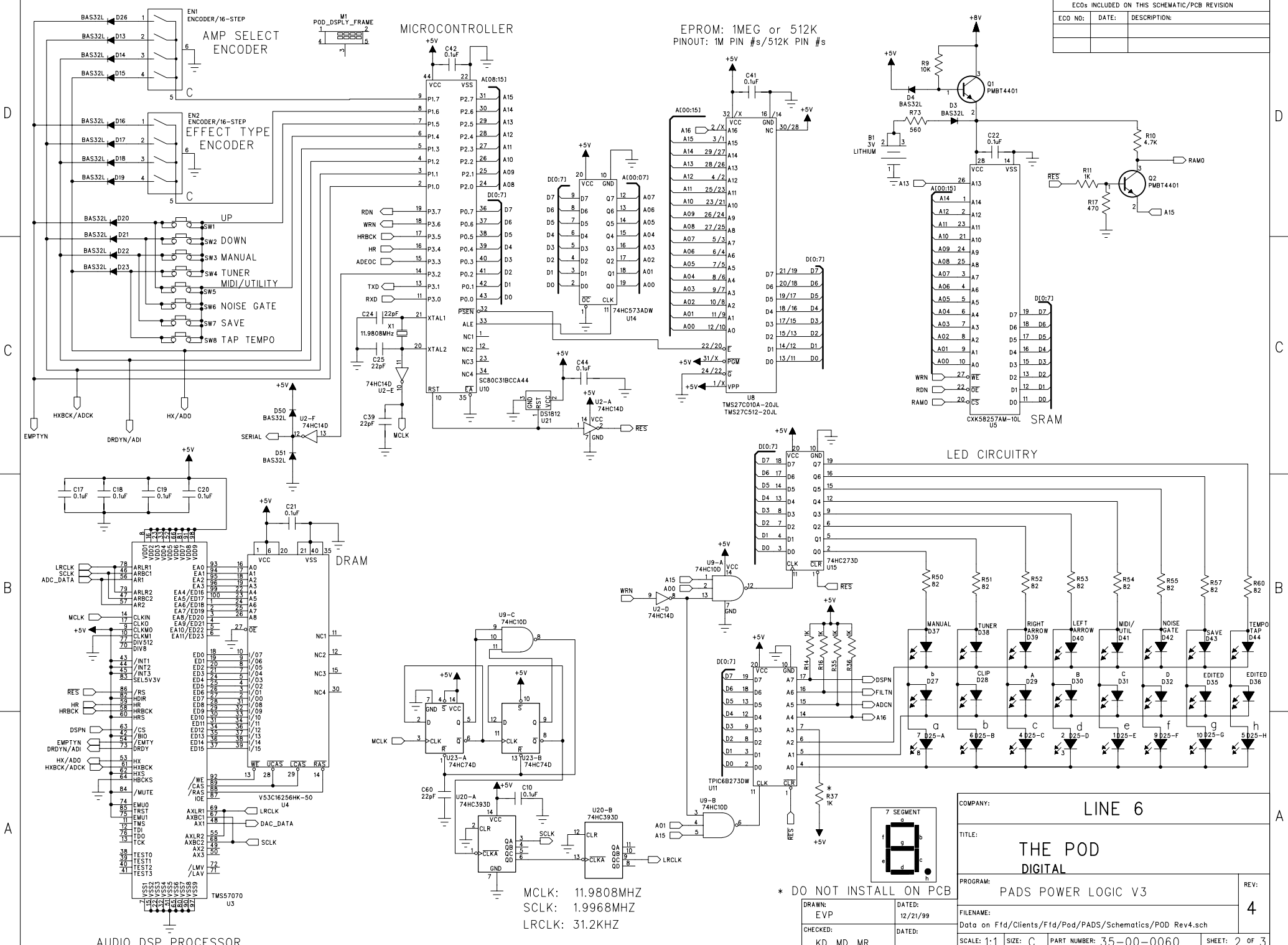


* DO NOT INSTALL ON PCB

COMPANY:	LINE 6		
TITLE:	THE POD ANALOG		
PROGRAM:	PADS POWER LOGIC V3.0		
FILENAME:	Data on Ffd/Clients/Ffd/Pod/PADS/Schematics/POD Rev4.sch		
SCALE: 1:1	SIZE: C	PART NUMBER: 35-00-0060	SHEET: 1 OF 3

DRAWN:	DATED:
EVP	12/21/99
CHECKED:	DATED:
KD, MD, MR	

ECOs INCLUDED ON THIS SCHEMATIC/PCB REVISION		
ECO NO:	DATE:	DESCRIPTION:



MCLK: 11.9808MHZ
 SCLK: 1.9968MHZ
 LRCLK: 31.2KHZ

* DO NOT INSTALL ON PCB

DRAWN: EVP	DATED: 12/21/99
CHECKED: K.D., M.D., M.R.	DATED:

COMPANY: LINE 6	REV: 4
TITLE: THE POD DIGITAL	PROGRAM: PADS POWER LOGIC V3
FILENAME: Data on Ffd/Clients/Ftd/Pod/PADS/Schematics/POD Rev4.sch	SCALE: 1:1
SIZE: C	PART NUMBER: 35-00-0060
SHEET: 2	OF 3

A

B

C

D

A

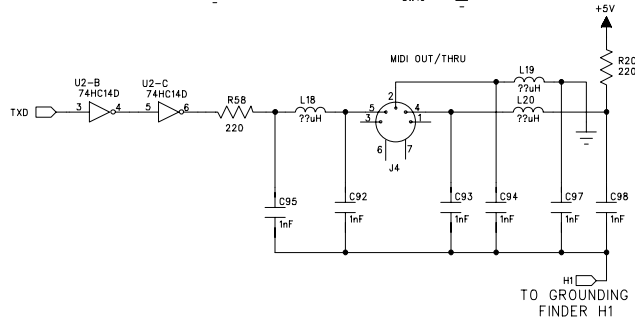
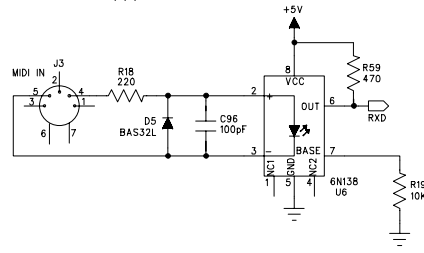
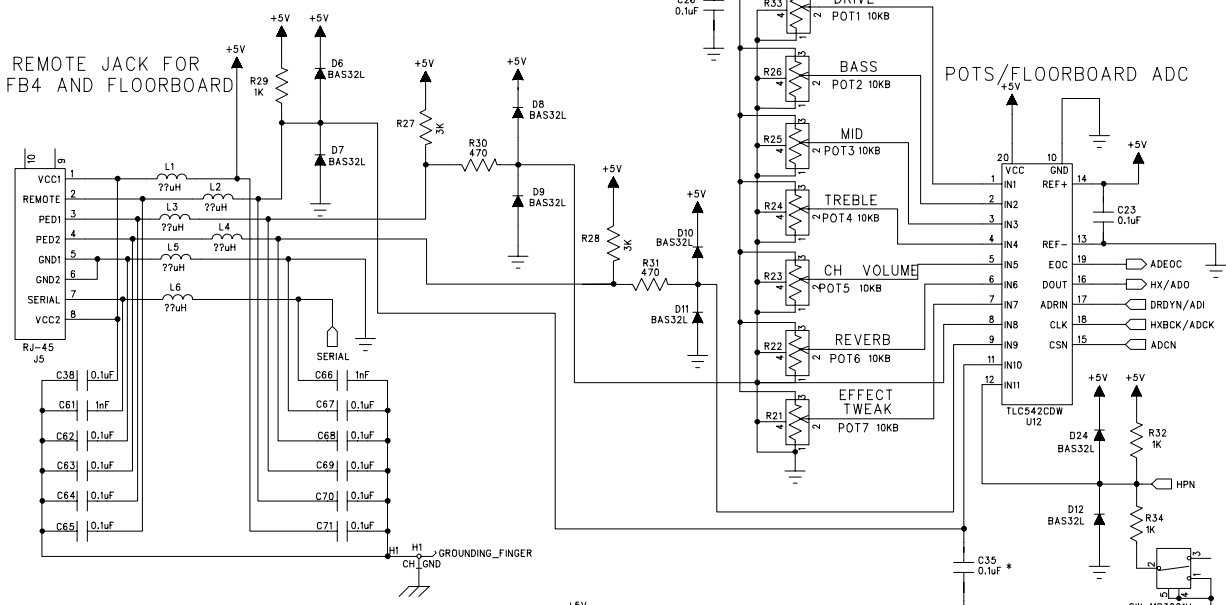
B

C

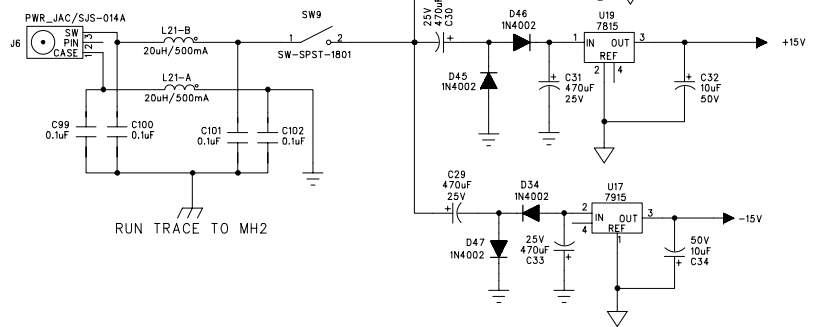
D

ECOs INCLUDED ON THIS SCHEMATIC/PCB REVISION		
ECO NO:	DATE:	DESCRIPTION:

REMOTE JACK FOR
FB4 AND FLOORBOARD



9VAC/500mA

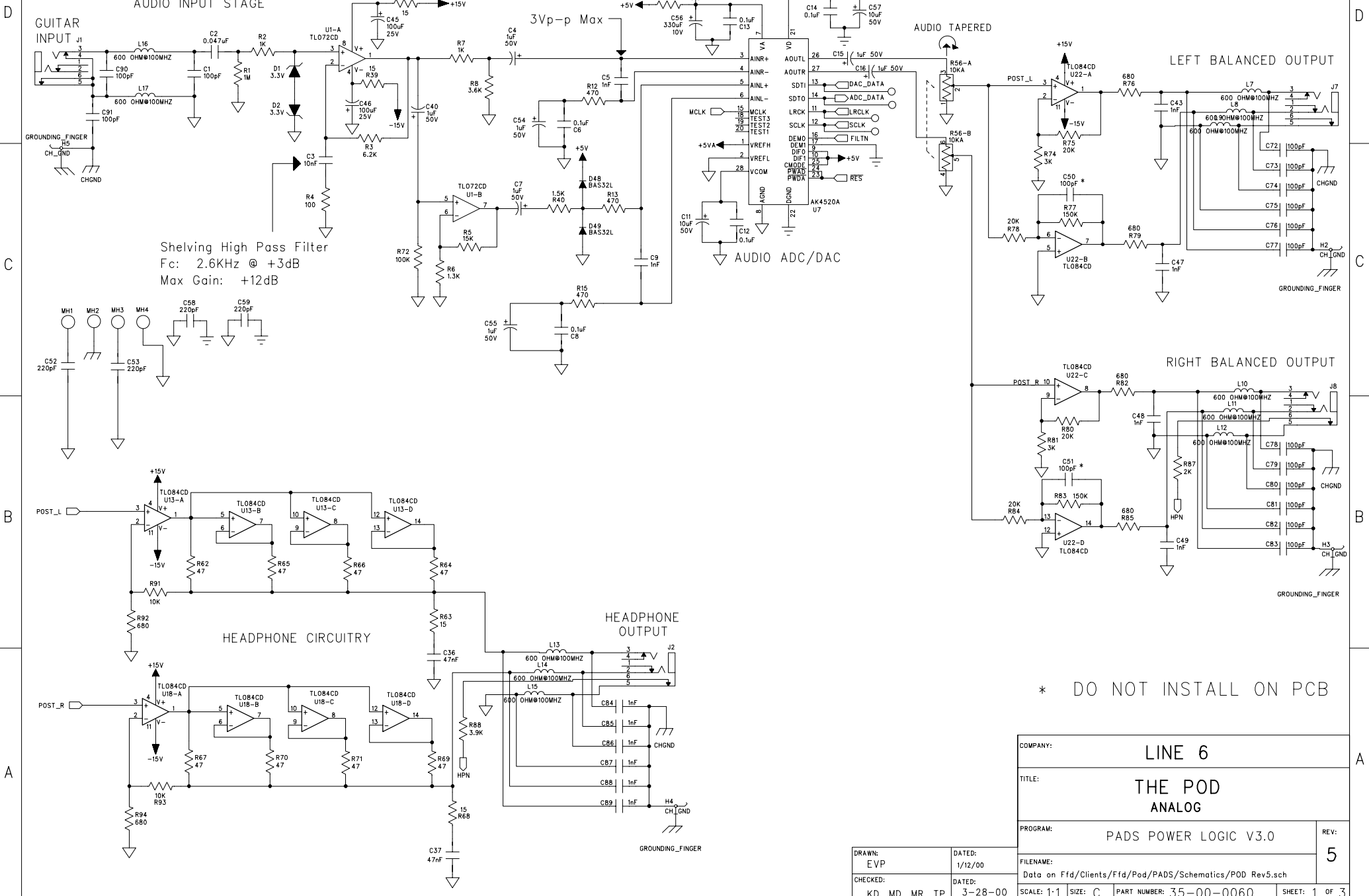


COMPANY:	LINE 6		
TITLE:	THE POD FB - PS		
PROGRAM:	PADS POWER LOGIC V3.0		REV: 4
FILENAME:	Data on Ffd/Clients/Ffd/Pad/PADS/Schematics/POD Rev4.sch		
SCALE: 1:1	SIZE: C	PART NUMBER: 35-00-0060	SHEET: 3 OF 3

DRAWN:	INITIALS	DATED:	12/21/99
CHECKED:	INITIALS	DATED:	DATE

ECO# INCLUDED ON THIS SCHEMATIC/PCB REVISION		
ECO NO:	DATE:	DESCRIPTION:

THE INFORMATION CONTAINED IN THIS DRAWING IS THE SOLE PROPERTY OF LINE 6 INC. ANY REPRODUCTION IN PART OR WHOLE WITHOUT THE WRITTEN PERMISSION OF LINE 6 INC. IS PROHIBITED



Shelving High Pass Filter
 Fc: 2.6KHz @ +3dB
 Max Gain: +12dB

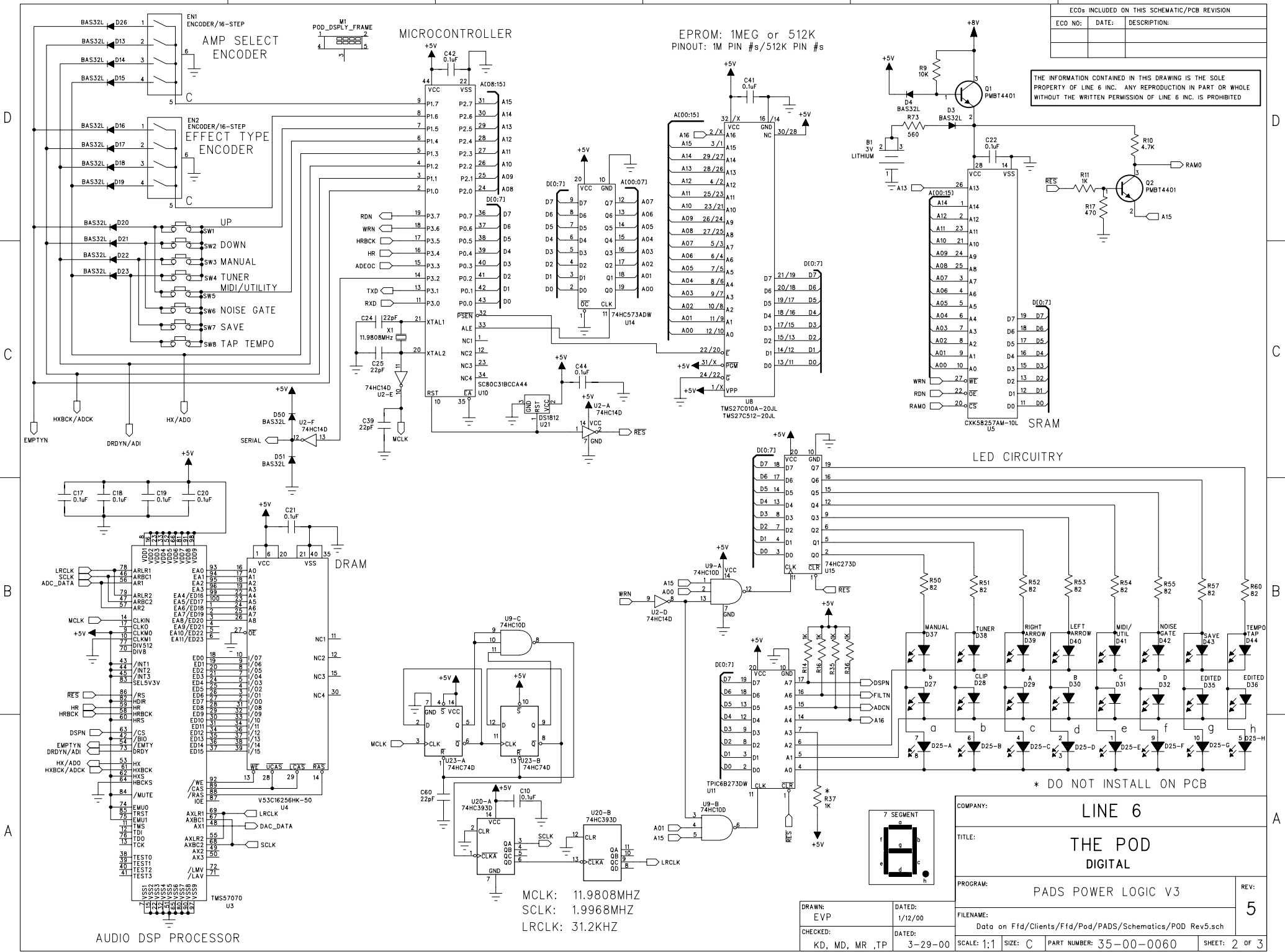
* DO NOT INSTALL ON PCB

COMPANY:		LINE 6	
TITLE:		THE POD ANALOG	
PROGRAM:		PADS POWER LOGIC V3.0	
DRAWN:		REV:	
EVP		5	
CHECKED:		FILENAME:	
KD, MD, MR ,TP		Data on Ffd/Clients/Ffd/Pod/PADS/Schematics/POD Rev5.sch	
DATED:		SCALE: 1:1	
3-28-00		SIZE: C	
		PART NUMBER: 35-00-0060	
		SHEET: 1 OF 3	

DRAWN:	DATED:
EVP	1/12/00
CHECKED:	DATED:
KD, MD, MR ,TP	3-28-00

ECO#s INCLUDED ON THIS SCHEMATIC/PCB REVISION		
ECO NO:	DATE:	DESCRIPTION:

THE INFORMATION CONTAINED IN THIS DRAWING IS THE SOLE PROPERTY OF LINE 6 INC. ANY REPRODUCTION IN PART OR WHOLE WITHOUT THE WRITTEN PERMISSION OF LINE 6 INC. IS PROHIBITED



ECO#s INCLUDED ON THIS SCHEMATIC/PCB REVISION

THE INFORMATION CONTAINED IN THIS DRAWING IS THE SOLE PROPERTY OF LINE 6 INC. ANY REPRODUCTION IN PART OR WHOLE WITHOUT THE WRITTEN PERMISSION OF LINE 6 INC. IS PROHIBITED

* DO NOT INSTALL ON PCB

COMPANY:	LINE 6		
TITLE:	THE POD DIGITAL		
PROGRAM:	PADS POWER LOGIC V3		
REV:	5		
FILENAME:	Data on Ffd/Clients/Ffd/Pod/PADS/Schematics/POD Rev5.sch		
SCALE:	1:1	SIZE:	C
PART NUMBER:	35-00-0060	SHEET:	2 OF 3

DRAWN:	DATE:
EVP	1/12/00
CHECKED:	DATE:
KD, MD, MR ,TP	3-29-00

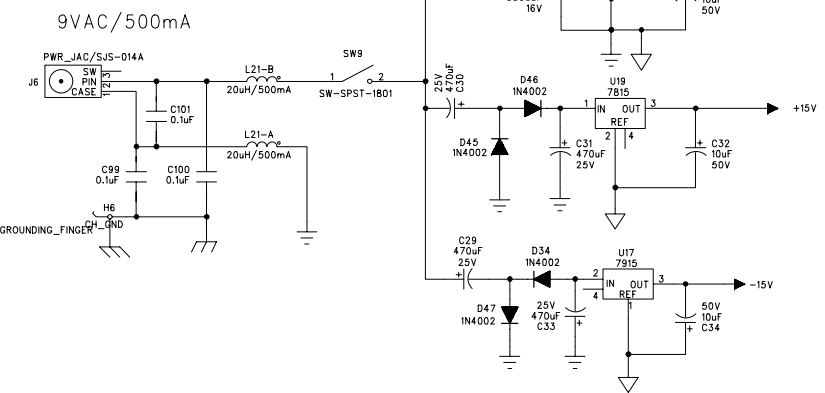
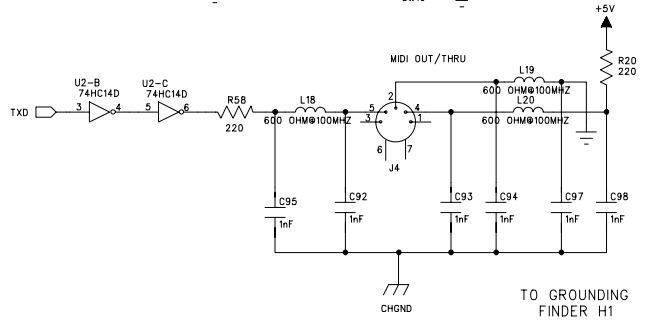
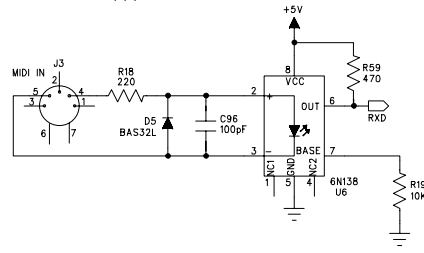
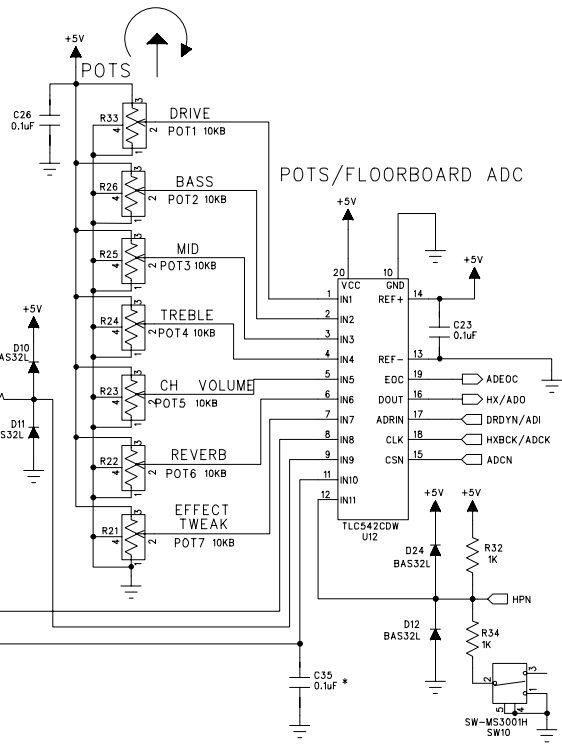
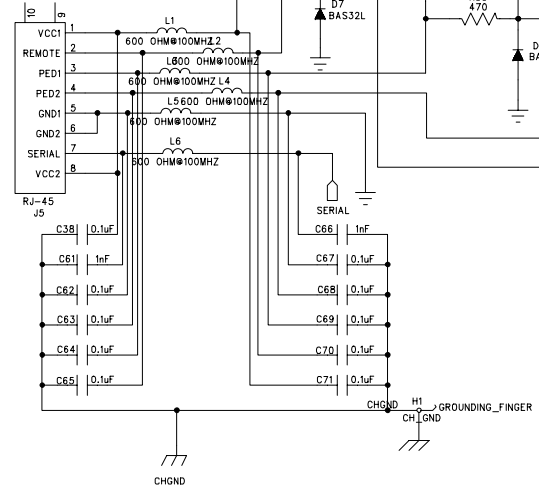
MCLK: 11.9808MHZ
SCLK: 1.9968MHZ
LRCLK: 31.2KHZ

AUDIO DSP PROCESSOR

ECOs INCLUDED ON THIS SCHEMATIC/PCB REVISION		
ECO NO:	DATE:	DESCRIPTION:

THE INFORMATION CONTAINED IN THIS DRAWING IS THE SOLE PROPERTY OF LINE 6 INC. ANY REPRODUCTION IN PART OR WHOLE WITHOUT THE WRITTEN PERMISSION OF LINE 6 INC. IS PROHIBITED

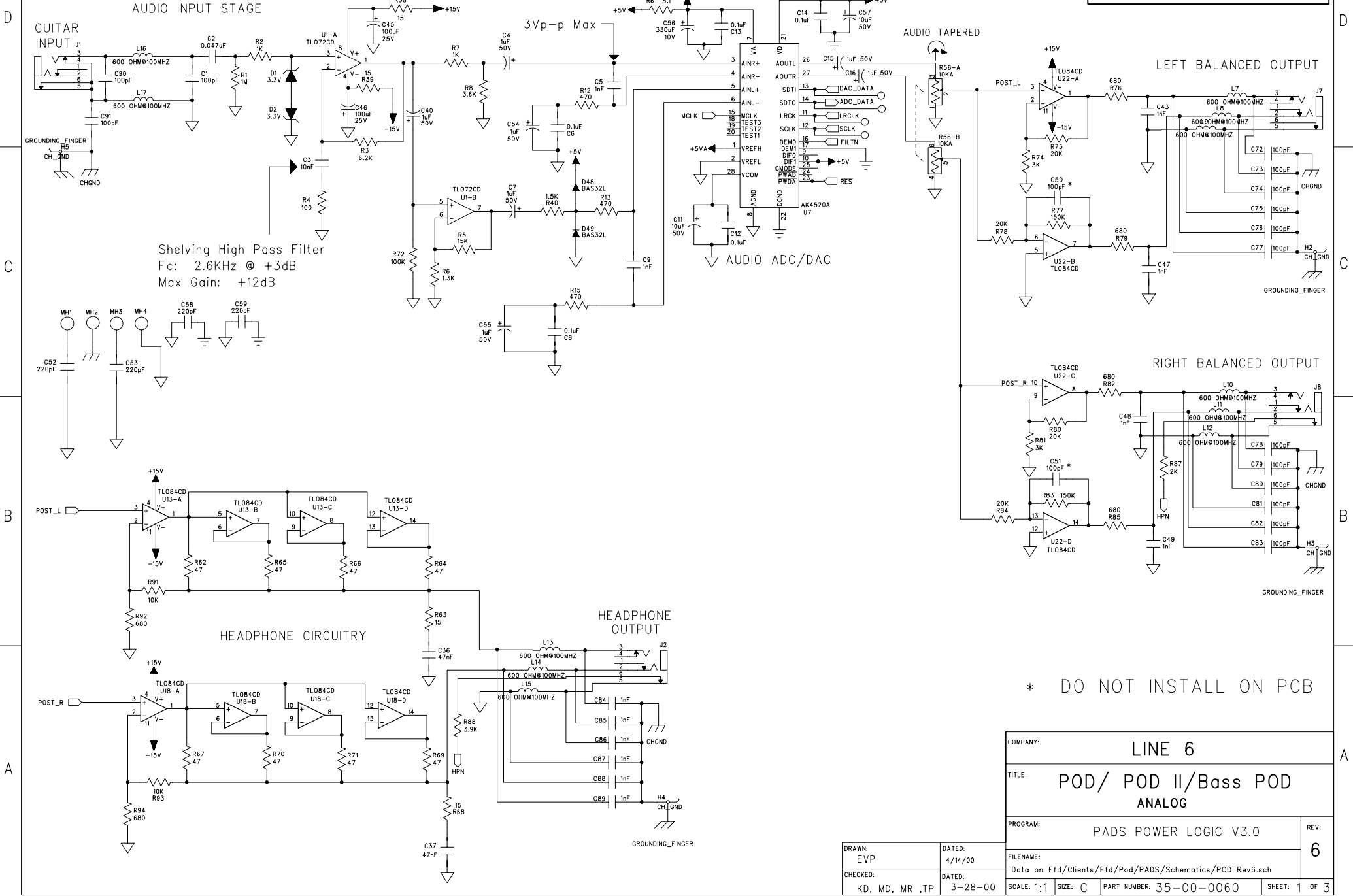
REMOTE JACK FOR FB4 AND FLOORBOARD



COMPANY:	LINE 6		
TITLE:	THE POD FB - PS		
PROGRAM:	PADS POWER LOGIC V3.0		
DRAWN:	INITIALS	DATED:	1/12/00
CHECKED:	T.P.	DATED:	3-30-00
SCALE:	1:1	SIZE:	C
PART NUMBER:	35-00-0060	SHEET:	3 OF 3
REV:	5		

ECOs INCLUDED ON THIS SCHEMATIC/PCB REVISION		
ECO NO:	DATE:	DESCRIPTION:
NONE	4/14/00	Traces under U16 were moved.

THE INFORMATION CONTAINED IN THIS DRAWING IS THE SOLE PROPERTY OF LINE 6 INC. ANY REPRODUCTION IN PART OR WHOLE WITHOUT THE WRITTEN PERMISSION OF LINE 6 INC. IS PROHIBITED



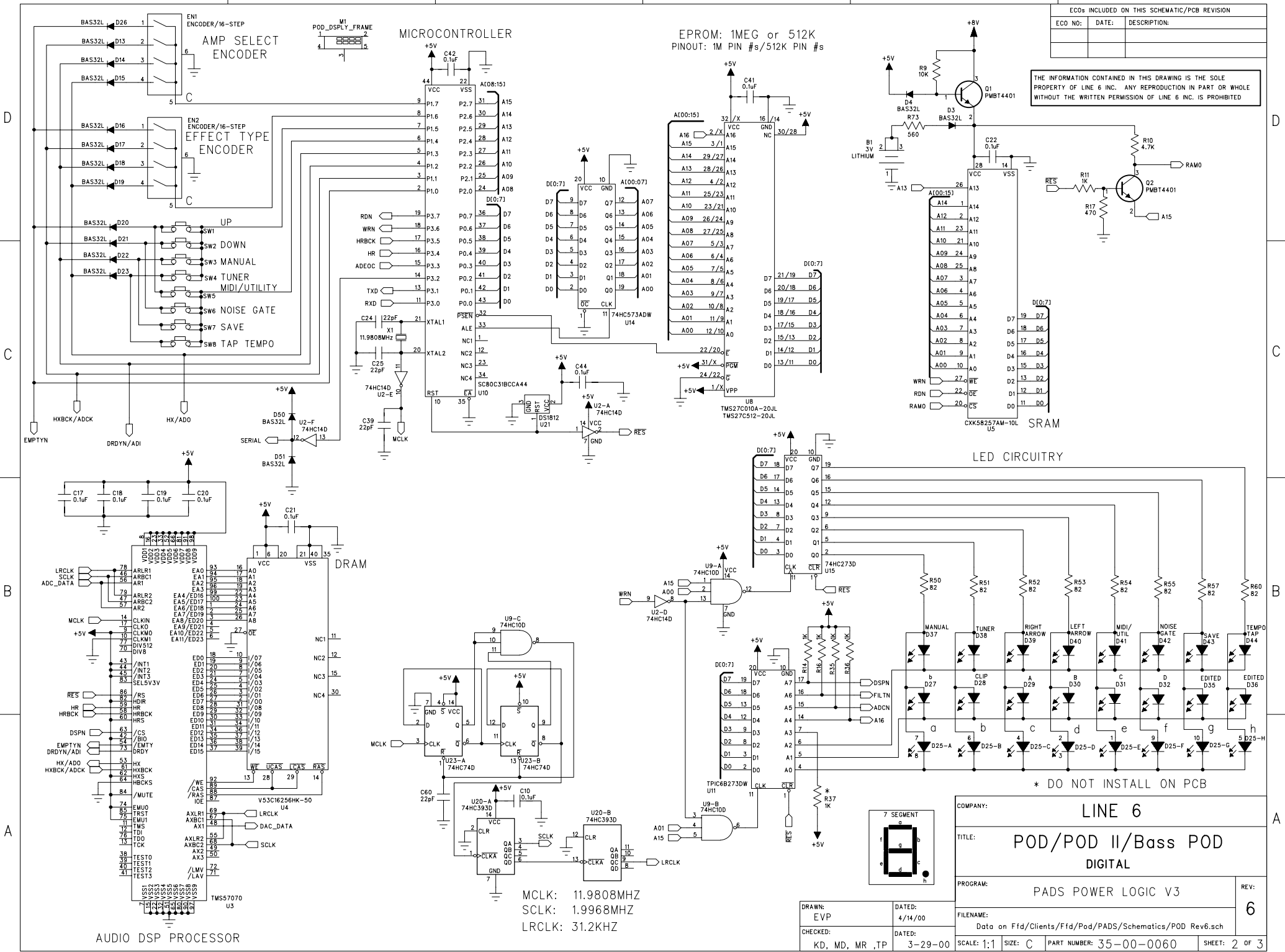
* DO NOT INSTALL ON PCB

COMPANY:	LINE 6		
TITLE:	POD/ POD II/Bass POD ANALOG		
PROGRAM:	PADS POWER LOGIC V3.0		REV:
			6
FILENAME:	Data on Ffd/Clients/Ffd/Pod/PADS/Schematics/POD Rev6.sch		
SCALE:	1:1	SIZE:	C
PART NUMBER:	35-00-0060		SHEET: 1 OF 3

DRAWN:	DATED:
EVP	4/14/00
CHECKED:	DATED:
KD, MD, MR ,TP	3-28-00

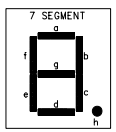
ECO#s INCLUDED ON THIS SCHEMATIC/PCB REVISION		
ECO NO:	DATE:	DESCRIPTION:

THE INFORMATION CONTAINED IN THIS DRAWING IS THE SOLE PROPERTY OF LINE 6 INC. ANY REPRODUCTION IN PART OR WHOLE WITHOUT THE WRITTEN PERMISSION OF LINE 6 INC. IS PROHIBITED



MCLK: 11.9808MHZ
 SCLK: 1.9968MHZ
 LRCLK: 31.2KHZ

* DO NOT INSTALL ON PCB



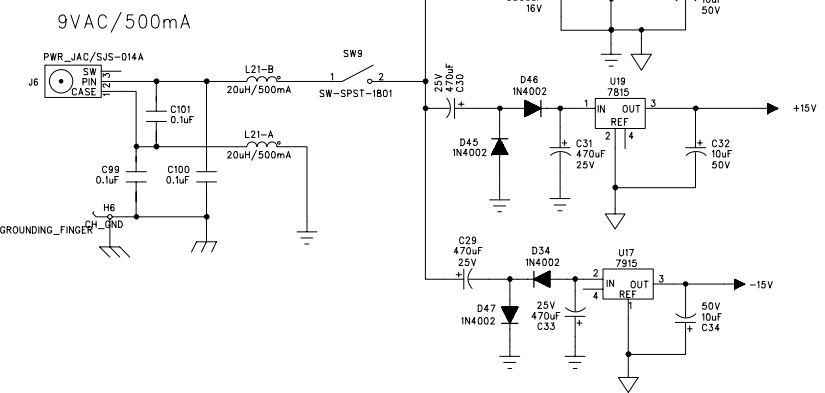
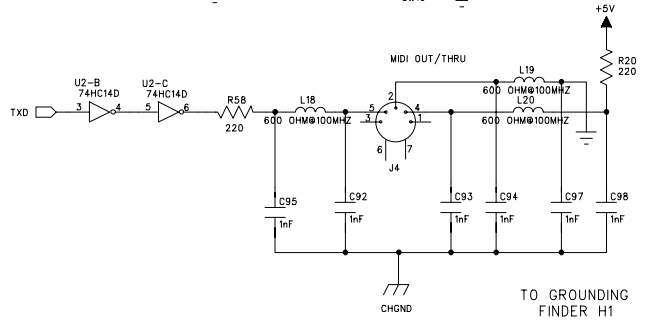
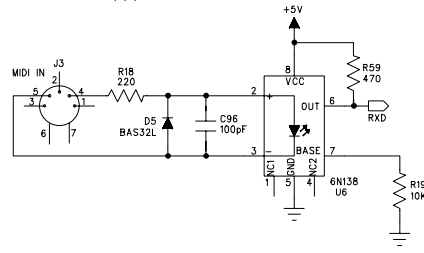
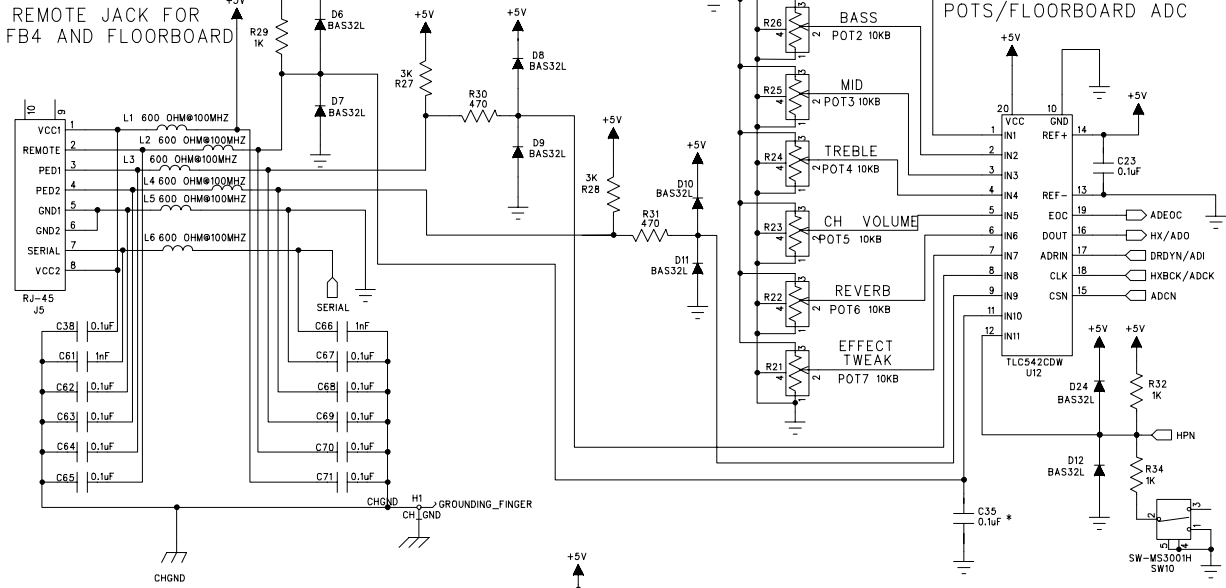
COMPANY: LINE 6	
TITLE: POD/POD II/Bass POD DIGITAL	
PROGRAM: PADS POWER LOGIC V3	REV: 6
FILENAME: Data on Ffd/Clients/Ffd/Pod/PADS/Schematics/POD Rev6.sch	SCALE: 1:1
DRAWN: EVP	DATED: 4/14/00
CHECKED: K.D., M.D., M.R., T.P.	DATED: 3-29-00
PART NUMBER: 35-00-0060	
SHEET: 2 OF 3	

AUDIO DSP PROCESSOR

ECO#s INCLUDED ON THIS SCHEMATIC/PCB REVISION		
ECO NO:	DATE:	DESCRIPTION:

THE INFORMATION CONTAINED IN THIS DRAWING IS THE SOLE PROPERTY OF LINE 6 INC. ANY REPRODUCTION IN PART OR WHOLE WITHOUT THE WRITTEN PERMISSION OF LINE 6 INC. IS PROHIBITED

REMOTE JACK FOR FB4 AND FLOORBOARD



COMPANY:	LINE 6		
TITLE:	POD/POD II/Bass POD FB - PS		
PROGRAM:	PADS POWER LOGIC V3.0		
REV:	6		
DRAWN:	INITIALS	DATED:	4/14/00
CHECKED:	T.P.	DATED:	3-30-00
FILENAME:	Data on Ffd/Clients/Ffd/Pod/PADS/Schematics/POD Rev6.sch		
SCALE:	1:1	SIZE:	C
PART NUMBER:	35-00-0060		SHEET: 3 OF 3

Parts List POD

Including: Reference Designators

Level	Seq	Component-Item	Component-Description	Opr	UOM	Scrap	Act	Stk	Qty On-Hand	Qty-Per-Parent
=====										
Parent Item:	99	POD US	POD US							
1		11-32-0912	Power transformer 120v,US	0	EA	.0	A	Y		1.000000
1		24-21-0010	POD keypad frame	0	EA	.0	A	Y		1.000000
1		24-21-0011	POD keypad bezel	0	EA	.0	A	Y		1.000000
1		24-30-0020	Rubber keypad	0	EA	.0	A	Y		1.000000
1		30-00-1632	6-32x3/8 philips panhead screw taptite black	0	EA	.0	A	Y		4.000000
1		30-42-0060	Label, U.S.Patent -POD	0	EA	.0	A	Y		1.000000
1		30-42-0061	Diffuser, POD	0	EA	.0	A	Y		1.000000
1		30-48-0010	Rubber feet, POD	0	EA	.0	A	Y		4.000000
1		30-45-2000	Knob	0	EA	.0	A	Y		10.000000
1		30-51-0065	Die Casted metal top POD 2	0	EA	.0	A	Y		1.000000
1		30-51-0066	POD Bottom, Metal,	0	EA	.0	A	Y		1.000000
2										
1		40-00-0071	User Manual, POD	0	EA	.0	A	Y		1.000000
1		40-00-0076	Chart, Preset, POD	0	EA	.0	A	Y		1.000000
1		40-00-0073	Sheet, Accessory, Domestic	0	EA	.0	A	Y		1.000000

1	40-00-1000	Line 6 Warranty Information Card	0 EA	.0	A	Y	1.000000
1	40-03-0070	Registration Card - POD	0 EA	.0	A	Y	1.000000
1	40-10-0070	POD Shipping Box/w label 12.75 x 13.50 x 4.5"	0 EA	.0	A	Y	1.000000
1	40-10-0076	TOP INSERT, POD BOX Made w/40-10-0077 & -0078	0 EA	.0	A	Y	1.000000
1	40-10-0077	BOTTOM INSERT, POD BOX Made with 40-10-0076 & -0078	0 EA	.0	A	Y	1.000000
1	40-10-0078	POWER CORD SLEEVE, POD BOX Made w/ 40-10-0076 & -0077	0 EA	.0	A	Y	1.000000
1	40-20-0070	Plastic Bag, 9 x 12, 2 mil POD shipping	0 EA	.0	A	Y	1.000000
1	40-30-0020	Label, Serial No. 1wX.5L, 2 accros Gloss, Silver Duropoly 613	0 EA	.0	A	Y	2.000000
1	45-00-0075	CD-Rom POD	0 EA	.0	A	Y	1.000000
1	50-00-1035	POD 2 PCBA	0 EA	.0	A	Y	1.000000
2	01-04-0051	RES 5.1R 1/8W 5% 1206 SM	0 EA	.0	A	Y	1.000000
2	01-04-0101	Ref: R61 RES 100 OHM 5% 1/8W	0 EA	.0	A	Y	1.000000
2	01-04-0102	Ref: R4 RES 1K 1/8W 5% 1206 SM	0 EA	.0	A	Y	10.000000
2	01-04-0103	Ref: R2, R7, R11, R14, R16, R29, R32, R34, R35, R36 RES 10K 1/8W 5% 1206 SM	0 EA	.0	A	Y	4.000000
2	01-04-0104	Ref: R9, R19, R91, R93 RES 100K 1/8W 5% 1206 SM	0 EA	.0	A	Y	1.000000
2	01-04-0105	Ref: R72 RES 1M 1/8W 5% 1206 SM	0 EA	.0	A	Y	1.000000
2	01-04-0132	Ref: R1 RES 1.3K 1/8W 5% 1206 SM	0 EA	.0	A	Y	1.000000

2	01-04-0150	Ref: R6 RES 15R 1/8W 5% 1206 SM	0 EA	.0	A Y	4.000000
2	01-04-0152	Ref: R38, R39, R63, R68 RES 1.5K 1/8W 5% 1206 SM	0 EA	.0	A Y	1.000000
2	01-04-0153	Ref: R40 RES CHIP 15K 5% 1/8W 1206, Thick Film	0 EA	.0	A Y	1.000000
2	01-04-0154	Ref: R5 RES 150K 1/8W 5% 1206 SM	0 EA	.0	A Y	2.000000
2	01-04-0202	Ref: R77, R83 RES 2K 1/8W 5% 1206 SM	0 EA	.0	A Y	1.000000
2	01-04-0203	Ref: R87 RES 20K 1/8W 5% 1206 SM	0 EA	.0	A Y	4.000000
2	01-04-0221	Ref: R75, R80, R78, R84 RES 220R 1/8W 5% 1206 SM	0 EA	.0	A Y	3.000000
2	01-04-0302	Ref: R18, R20, R58 RES 3K 1/8W 5% 1206 SM	0 EA	.0	A Y	4.000000
2	01-04-0362	Ref: R27, R28, R74, R81 RES 3.6K 1/8W 5% 1206 SM	0 EA	.0	A Y	1.000000
2	01-04-0392	Ref: R8 RES 3.9K 1/8W 5% 1206 SM	0 EA	.0	A Y	1.000000
2	01-04-0470	Ref: R88 RES 47R 1/8W 5% 1206 SM	0 EA	.0	A Y	8.000000
2	01-04-0471	Ref: R62, R64, R65, R66, R67, R69, R70, R71 RES 470R 1/8W 5% 1206 SM	0 EA	.0	A Y	7.000000
2	01-04-0472	Ref: R12, R13, R15, R17, R30, R31, R59 RES 4.7K 1/8W 5% 1206 SM	0 EA	.0	A Y	1.000000
2	01-04-0561	Ref: R10 RES 560R 1/8W 5% 1206 SM	0 EA	.0	A Y	1.000000
2	01-04-0622	Ref: R73 RES 6.2K 1/8W 5% 1206 SM	0 EA	.0	A Y	1.000000

2	01-04-0681	Ref: R3 RES 680R 1/8W 5% 1206 SM	0	EA	.0	A	Y	6.000000
2	01-04-0820	Ref: R76, R79, R82, R85, R92, R94 RES 82R 1/8W 5% 1206 SM	0	EA	.0	A	Y	8.000000
2	01-48-0103	Ref: R50, R51, R52, R53, R54, R55, R57, R60 POT 10K MONO LINEAR D-SHAFT-25	0	EA	.0	A	Y	7.000000
	mm							
2	01-48-5103	Ref: R21, R22, R23, R24, R25, R26, R33 Pot 10k Stereo audio	0	EA	.0	A	Y	1.000000
	R1610G-CC3-A10K							
2	03-10-0331	Ref: R56 CAP 330uF 10V 20% RADIAL ELEC	0	EA	.0	A	Y	1.000000
	TH							
2	03-12-0338	Ref: C56 CAP 3300uF 16V 20% RADIAL ELEC	0	EA	.0	A	Y	1.000000
	TH							
2	03-14-0107	Ref: C28 CAP 100uF 25V 20% RADIAL ELEC	0	EA	.0	A	Y	2.000000
	TH							
2	03-14-0477	Ref: C45, C46 CAP 470uF 25V 20% RADIAL ELEC	0	EA	.0	A	Y	4.000000
	TH							
2	03-18-0105	Ref: C29, C30, C31, C33 CAP 1uF 50V 20% RADIAL ELEC TH	0	EA	.0	A	Y	7.000000
2	03-18-0106	Ref: C4, C7, C15, C16, C40, C54, C55 CAP 10uF 50V 20% RADIAL ELEC	0	EA	.0	A	Y	5.000000
	TH							
2	03-45-0473	Ref: C11, C27, C32, C34, C57 CAP 47nF 16V 20% 1206 FILM SM	0	EA	.0	A	Y	1.000000
2	03-46-0104	Ref: C2 CAP 0.1uF 50V 20% 1206 X7R SM	0	EA	.0	A	Y	17.000000
2	03-52-0102	Ref: C6, C8, C10, C12, C13, C14, C17, C18, C19, C20, C21, C22, C23, C26, C41, C42, C44 CAP 1nF 50V min 20% max 0805	0	EA	.0	A	Y	6.000000
2	03-52-0103	Ref: C5, C9, C43, C47, C48, C49 CAP 10nF 50V SMT	0	EA	.0	A	Y	1.000000
	X7R							

2	03-52-0220	Ref: C3 CAP 22pF 50V min 20% max 0805	0 EA	.0	A	Y	4.000000
2	03-52-0221	Ref: C24, C25, C39, C60 CAP 220pF 50V 20%	0 EA	.0	A	Y	5.000000
2	03-52-0473 SMT	Ref: C1, C52, C53, C58, C59 Capacitor, 47nf, 50v min. 20%	0 EA	.0	A	Y	2.000000
2	06-04-4002	Ref: C36, C37 Diode, Mid Power TH	0 EA	.0	A	Y	5.000000
2	06-20-4148	Ref: D33, D34, D45, D46, D47 DIODE, SMALL SIGNAL, GREEN	0 EA	.0	A	Y	27.000000
2	06-28-0310	Ref: D3, D4, D5, D6, D7, D8, D9, D10, D11, D12, D13, D14, D15, D18, D19, D20, D21, D22, D23, D24, D26, D48, D49, D50, D51 Diode Zener 3.3 volt SMT Philips PMLL5226B,DL-35 pkg	0 EA	.0	A	Y	2.000000
2	09-10-4401	Ref: D1, D2 TRANS NPN Small Signal TH	0 EA	.0	A	Y	2.000000
2	11-00-1198 u holder	Ref: Q1, Q2 11.98080 MHz crystal in HC-49/	0 EA	.0	A	Y	1.000000
2	11-40-0030 BR2325-1HG	Ref: X1 Battery	0 EA	.0	A	Y	1.000000
2	12-02-7805	Ref: B1 Regulator, +5v, 1.5 Amp TH	0 EA	.0	A	Y	1.000000
2	12-02-7815	Ref: U16 REGULATOR, +15V, 1AMP	0 EA	.0	A	Y	1.000000
2	12-02-7915	Ref: U19 REGULATOR, -15V, 1AMP	0 EA	.0	A	Y	1.000000
2	12-54-0072	Ref: U17 IC, OP-AMP TL072D	0 EA	.0	A	Y	1.000000
2	12-54-0084	Ref: U1 IC OP AMP Quad, surface mount, mfg p/n# TL084CD	0 EA	.0	A	Y	3.000000

2	12-64-0542	Ref: U13, U18, U22 IC ADC 8 bit	0 EA	.0 A Y	1.000000
2	12-64-4520	Ref: U12 IC STEREO 20 bit CODEC SMT	0 EA	.0 A Y	1.000000
2	15-40-6138	Ref: U7 IC Opto-isolator	0 EA	.0 A Y	1.000000
2	15-62-0010	Ref: U6 IC Triple 3-Input NAND Gate	0 EA	.0 A Y	1.000000
2	15-62-0014	Ref: U9 IC Hex Schmitt Inverter	0 EA	.0 A Y	1.000000
2	15-62-0074	Ref: U2 DUAL D-TYPE FLIP-FLOP SMT	0 EA	.0 A Y	1.000000
2	15-62-0273 R SMT	Ref: U23 OCTICAL LATCH D TYPE WITH CLEA	0 EA	.0 A Y	1.000000
2	15-62-0393	Ref: U15 8 BIT DIVIDER SMT	0 EA	.0 A Y	1.000000
2	15-62-0573 rent	Ref: U20 IC Octal Latch D-Type *Transpa	0 EA	.0 A Y	1.000000
2	15-66-0273 ent	Ref: U14 IC Octal Latch D-Type Transpar	0 EA	.0 A Y	1.000000
2	15-70-6256 ISSI P/N IS4IC16257-35K	Ref: U11 DRAM FLEXTONE	0 EA	.0 A Y	1.000000
2	15-72-0256	Ref: U4 IC SRAM 32K X 8	0 EA	.0 A Y	1.000000
2	15-84-8031	Ref: U5 IC Microprocessor 8031	0 EA	.0 A Y	1.000000
2	15-86-7070	Ref: U10 IC DASP	0 EA	.0 A Y	1.000000
2	15-92-1812	Ref: U3 RESET CHIP	0 EA	.0 A Y	1.000000

DS1812R-5/T&R

		Ref: U21					
2	18-00-0314	RED LED TH SLX-LX3054ID	0 EA	.0	A	Y	10.000000
		Ref: D27, D28, D29, D30, D31, D32, D35, D36, D39, D40					
2	18-00-3044	Red LED SSL-LX3044SRC/E	0 EA	.0	A	Y	6.000000
		Ref: D37, D38, D41, D42, D43, D44					
2	18-10-0001	1 digit 7 segment red LED TH SC56-11SRWA	0 EA	.0	A	Y	1.000000
		Ref: D25					
2	21-00-0014	Barrel Jack SJS-014A	0 EA	.0	A	Y	1.000000
		Ref: J6					
2	21-00-6616	JACK 1/4" phone Stereo Female 6 pin	0 EA	.0	A	Y	4.000000
		Ref: J1, J2, J7, J8					
2	21-04-5075	JACK MIDI 5 pin DIN female LN 05075	0 EA	.0	A	Y	2.000000
		Ref: J3, J4					
2	21-16-0045	CON RJ-45 female 8 conductor	0 EA	.0	A	Y	1.000000
		Ref: J5					
2	21-42-0032	Socket 32 pin th	0 EA	.0	A	Y	1.000000
		Ref: U8					
2	24-12-0025	ENCODER SHAFT 16 STEP	0 EA	.0	A	Y	2.000000
		Ref: EN1, EN2					
2	24-24-2107	Switch rocker R-2107A	0 EA	.0	A	Y	1.000000
		Ref: SW9					
2	24-24-3001	Switch SPDT side right angle	0 EA	.0	A	Y	1.000000
		Ref: SW10					
2	30-00-0607	6-32x7/16 Phil Panhead zinc mach. screw w/ext. lock washer	0 EA	.0	A	Y	1.000000
		Ref: U16					
2	30-12-2210	STANDOFF 1/2" F 6-32 Full THD. F.F. Keystone 2210	0 EA	.0	A	Y	1.000000

Ref: U16

2

45-00-1071 Eprom, 1 meg, 70 nano second
speed, Pod 2

0 EA

.0 A Y

1.000000

LINE 6
Pod 2 Parts List

99 POD2 US

Level	Seq	Component-Item	Component-Description	Qty-Per-Parent
=====				
		Parent Item: 99	POD Unit, Ver.2.0, US	
1		11-32-0912	Power transformer 120v,US	1.000000
1		24-21-0010	FRAME DISPLAY-KEYPAD ABS BLACK	1.000000
1		24-21-0011	BEZEL DISPLAY/KEYPAD PLASTIC GLOSSY RED	1.000000
1		24-30-0020	Keypad rubber 4x2, "Tap Hold" Labeling, Rod & Pod 2.0	1.000000
1		30-00-1632	SCR 6-32x3/8 PNH PHH TAP TITE STL BLK	4.000000
1		30-42-0060	Label, U.S.Patent	1.000000
1		30-42-0061	DIFFUSER POD 1.5 IN x 5.35 IN (CARDBOARD)	1.000000
1		30-48-0010	FEET RUBBER POD	4.000000
1		30-45-2000	KNOB PLASTIC	10.000000
1		30-51-0065	Die casted metal top, Pod version 2.0	1.000000
1		30-51-0066	Die casted metal bottoms, Pod version 2.0	1.000000
1		40-00-0003	Label, POD 1 to 2 update 4.125" x 2.5", 4.25" carrier	3.000000
1		40-00-0073	SHEET ACCESSORY DOMESTIC	1.000000
1		40-00-0071	Ref: Eco# 35601. Manual, User's, POD 2.0	1.000000
1		40-00-0076	Ref: Replaced pn# 40-00-0015 Chart, preset, Pod 2.0	1.000000

LINE 6
Pod 2 Parts List

1	40-10-0070	Carton, POD /w label 12.75 x 13.50 x 4.5"	1.000000
1	40-10-0076	TOP INSERT, POD BOX Made w/40-10-0077 & -0078	1.000000
1	40-10-0077	BOTTOM INSERT, POD BOX Made with 40-10-0076 & -0078	1.000000
1	40-10-0078	POWER CORD SLEEVE, POD BOX Made w/ 40-10-0076 & -0077	1.000000
1	40-20-0070	Plastic Bag, 9 x 12, 2 mil POD shipping	1.000000
1	40-25-0020	Label, Quality Inspection	1.000000
1	40-25-0101	Label, Bar Code Serial Number 2-PNL LTX 16 1125502	1.000000
1	40-30-0020	Label,Gloss Duropoly 613 Silver 0.1W x 0.5L 2 across	2.000000
1	45-00-0075	CD-Rom, Flexitone 2,Pod 2,Pod Pro,Pod2 Upgrade,and Bod	1.000000
1	45-00-1071	Ref: ECO# 8401 EPROM programmed, POD 2	1.000000
2	15-26-1000	IC EPROM 1M 128kX8 70ns W27E010 32P DIP TH	1.000000
1	50-00-1035	PCBA, Pod Version# 2.0	1.000000
2	01-04-0051	RES 5.1R 5% 1206 S/B 01-04-05R1	1.000000
2	01-04-0101	Ref: R61 RES 100R 5% 1206	1.000000
2	01-04-0102	Ref: R4 RES 1K 5% 1206	10.000000
2	01-04-0103	Ref: R2, R7, R11, R14, R16, R29, R32, R34, R35, R36 RES 10K 5% 1206	4.000000
2	01-04-0104	Ref: R9, R19,R91, R93 RES 100K 5% 1206	1.000000
2	01-04-0105	Ref: R72 RES 1M 5% 1206	1.000000
		Ref:R1	1.000000

LINE 6
Pod 2 Parts List

2	01-04-0132	RES 1.3K 5% 1206	1.000000
2	01-04-0150	Ref: R6 RES 15R 5% 1206	4.000000
2	01-04-0152	Ref: R38, R39, R63, R68 RES 1.5K 5% 1206	1.000000
2	01-04-0153	Ref: R40 RES 15K 5% 1206	1.000000
2	01-04-0154	Ref: R5 RES 150K 5% 1206	2.000000
2	01-04-0202	Ref: R77, R83 RES 2K 5% 1206	1.000000
2	01-04-0203	Ref: R87 RES 20K 5% 1206	4.000000
2	01-04-0221	Ref: R75, R80, R78, R84 RES 220R 5% 1206	3.000000
2	01-04-0302	Ref: R18, R20, R58 RES 3K 5% 1206	4.000000
2	01-04-0362	Ref: R27, R28, R74, R81 RES 3.6K 5% 1206	1.000000
2	01-04-0392	Ref: R8 RES 3.9K 5% 1206	1.000000
2	01-04-0470	Ref: R88 RES 47R 5% 1206	8.000000
2	01-04-0471	Ref: R62, R64, R65, R66, R67, R69, R70, R71 RES 470R 5% 1206	7.000000
2	01-04-0472	Ref: R12, R13, R15, R17, R30, R31, R59 RES 4.7K 5% 1206	1.000000

Ref: R10

LINE 6
Pod 2 Parts List

2	01-04-0561	RES 560R 5% 1206	1.000000
2	01-04-0622	Ref: R73 RES 6.2K 5% 1206	1.000000
2	01-04-0681	Ref: R3 RES 680R 5% 1206	6.000000
2	01-04-0820	Ref: R76, R79, R82, R85, R92, R94 RES 82R 5% 1206	8.000000
2	01-48-0103	Ref: R50, R51, R52, R53, R54, R55, R57, R60 POT SINGLE 10K MONO LINEAR 25 mm D-SHAFT	7.000000
2	01-48-5103	Ref: R21, R22, R23, R24, R25, R26, R33 POT DUAL 10KA STEREO 25mm R161 0G-CC3A10K	1.000000
2	03-10-0331	Ref: R56 CAP ELEC 330uF 10V 20% RADIAL 6.3/11.2/5	1.000000
2	03-12-0338	Ref: C56 CAP ELEC 3300uF 16V 20% RADIAL 16/25/7.5	1.000000
2	03-14-0107	Ref: C28 CAP ELEC 100uF 25V 20% RADIAL 6.3/11.2/5	2.000000
2	03-14-0477	Ref: C45, C46 CAP ELEC 470uF 25V 20% RADIAL 10/16/5	4.000000
2	03-18-0105	Ref: C29, C30, C31, C33 CAP ELEC 1uF 50V 20% RADIAL 5/11/5	7.000000
2	03-18-0106	Ref: C4, C7, C15, C16, C40, C54, C55 CAP ELEC 10uF 50V 20% RADIAL 5/11/5	5.000000
2	03-45-0473	Ref: C11, C27, C32, C34, C57 CAP 47nF 16V 20% 1206 FILM	1.000000
2	03-46-0104	Ref: C2 CAP X7R 0.1uF 50V 20% 1206	28.000000

Ref: C6,C8,C10,C12,C13,C14,C17,C18,C19,C20,C21,C22,C23,C26,C41,
C38,C42,C44,C62-C65,C67-C71,C101.

LINE 6
Pod 2 Parts List

2	03-52-0101	CAP X7R 100pF 50V 20% 0805 0805C101M5RAC	16.000000
		Ref: C1,C72-C83,C90-C91,C96. ADDED BY WAY OF EO# 8802.	
2	03-52-0102	CAP X7R 1nF 50V 20% 0805	20.000000
2	03-52-0103	Ref: C5,C9,C43,C47,C48,C49, C61,C66,C84-C89,C92-C95,C97-C98. CAP X7R 10nF 50V 20% 0805	1.000000
2	03-52-0220	Ref: C3 CAP X7R 22pF 50V 20% 0805	4.000000
2	03-52-0221	Ref: C24, C25, C39, C60 CAP X7R 220pF 50V 20% 0805	4.000000
2	03-52-0473	Ref: C52,C53,C58,C59. C1 REMOVED BY WAY OF ECO# 8802. CAP X7R 47nF 50V 20% 0805	2.000000
2	06-04-4002	Ref: C36, C37 DIODE SMALL-SIGNAL 100V 30A DO-41 AXIAL TH 1N4002	5.000000
2	06-20-4148 4148	Ref: D33, D34, D45, D46, D47 DIODE SMALL-SIGNAL DL-35 SM	27.000000
2	06-28-0310	Ref: D3, D4, D5, D6, D7, D8, D9, D10, D11, D12, D13, D14, D15, D1 D18, D19, D20, D21, D22, D23, D24, D26, D48, D49, D50, D51 DIODE ZENER 3.3V 5% 500mW DL-35 SM 5226B	2.000000
2	09-10-4401	Ref: D1, D2 TRANS NPN SMALL-SIGNAL MBT4401 SOT-23 SM	2.000000
2	11-00-1198	Ref: Q1, Q2 CRYSTAL 11.98080MHz HC-49/U TH	1.000000
2	11-10-0601	Ref: X1 FERRITE BEAD 600R @100MHZ 1206	20.000000
2	11-40-0030	Ref: L1-L20. ADDED BY WAY OF EO# 8802. BATTERY 3V LITHIUM BR2325-1HG	1.000000
2	12-02-7805	Ref: B1 IC REG +5v 1.5 Amp TH	1.000000
		Ref: U16	

LINE 6
Pod 2 Parts List

2	12-02-7815	IC REG +15V 1AMP TH	1.000000
		Ref: U19	
2	12-02-7915 7915	IC REG -15V 1AMP TH	1.000000
		Ref: U17	
2	12-54-0072	IC OP-AMP DUAL TL072CD SM	1.000000
		Ref: U1	
2	12-54-0084	IC OP AMP Quad TL084CD SM mfg p/n# TL084CD	3.000000
		Ref: U13, U18, U22	
2	12-64-0542 SM	IC CONVERTER A/D 8-BIT TLC542	1.000000
		Ref: U12	
2	12-64-4520 SM	IC CONVERTER A/S 20-BIT AK4520	1.000000
		Ref: U7	
2	15-40-6138 DIP-8 TH	IC OPTO-ISOLATOR 6N138	1.000000
		Ref: U6	
2	15-62-0010	IC 74HC10 NAND-GATE TRIPLE 3-INPUT SO-14 SM	1.000000
		Ref: U9	
2	15-62-0014 SO-14 SM	IC 74HC14 INVERTER-HEX	1.000000
		Ref: U2	
2	15-62-0074	IC 74HC74 FLIP-FLOP DUAL D-TYPE 2-IN SO-14 SM	1.000000
		Ref: U23	
2	15-62-0273	IC 74HC273 FLIP-FLOP D-TYPE 8-BIT SO-20 SM	1.000000
		Ref: U15	
2	15-62-0393	IC 74HC393 COUNTER BINARY DUAL 4-BIT SM	1.000000
		Ref: U20	
2	15-62-0573	IC 74HC573 BUFFER INVERTING 8-BIT SM	1.000000
		Ref: U14	
2	15-66-0273	IC TPIC6B273 POWER D-TYPE OCTAL LATCH SM TPIC6B273DW	1.000000
		Ref: U11	

LINE 6
Pod 2 Parts List

2	15-70-6256	IC DRAM ISSI IS4IC16257-35K	1.000000
		Ref: U4	
2	15-72-0256	IC SRAM 32K X 8 CY62256LL-70SNC 0024 623249	1.000000
		Ref: U5	
2	15-84-8031	IC MPU 80C31 SM PLCC44	1.000000
		Ref: U10	
2	15-86-7070	IC DSP TMS57070FFT SM	1.000000
		Ref: U3	
2	15-92-1812	IC RESET 5V 5% ACTIVE-HIGH SM SOT-23 DS1812R-5/T&R	1.000000
		Ref: U21	
2	18-00-0314	LED RED SLX-LX3054ID TH	10.000000
		Ref: D27, D28, D29, D30, D31, D32, D35, D36, D39, D40	
2	18-00-3044	LED Red Through Hole Digi-key Lumex SLX-LX3054ID	6.000000
		Ref: D37, D38, D41, D42, D43, D44	
2	18-10-0001	LED 7-SEG 1-DIGIT RED TH SC56-11SRWA	1.000000
		Ref: D25	
2	21-00-0014	JACK BARREL PCB MT 2.5mm DC PWR 3 PIN TH SJS-014A	1.000000
		Ref: J6	
2	21-00-6616	JACK 1/4" TRS 6-PIN PCB MT HORIZ TH	4.000000
		Ref: J1, J2, J7, J8	
2	21-04-5075	JACK DIN 5-PIN FEMALE MIDI PCB-MNT RT-ANG LN 05075	2.000000
		Ref: J3, J4	
2	21-16-0045	JACK RJ-45 8-PIN FEMALE PCB-MNT RT-ANG	1.000000
		Ref: J5	
2	21-42-0032	SOCKET 32-PIN DIP TH	1.000000
		Ref: U8	
2	24-12-0025	ENCODER 16-STEP V-MOUNT PCB	2.000000
		Ref: EN1, EN2	
2	24-24-2107	Switch rocker	1.000000
		Ref: SW9	

LINE 6
Pod 2 Parts List

=====

2	24-24-3001	Switch SPDT side right angle	1.000000
2	30-00-0607	Ref: SW10 SCR 6-32 x 7/16 LG PHILLIPS PN H STL ZINC (W/ LK WASH)	1.000000
2	30-12-2210	Ref: U16 STDF .250 HEX 6-32 F/F .500 LG AL (KEYSTONE P/N 2210)	1.000000
2	30-18-3030	Ref: U16 CLIP Grounding .30x.30x.07	5.000000
2	45-00-1071	EPROM programmed, POD 2	1.000000
3	15-26-1000	IC EPROM 1M 128kX8 70ns W27E010 32P DIP TH	1.000000

POD Software Test Procedure

1. Hold down the **TAP TEMPO** button while turning the unit on.
2. The display will show “**t**” for test mode and then “**0**” for test #0.
3. Proceed through the following software tests, using the **UP/DOWN** buttons to select tests 0 through 6.
4. Press **SAVE** to start the selected test.
5. The decimal point “.” on the display will light up to show that the test is in progress. When the test is complete, the decimal point will turn off.
6. If the test is a Pass/Fail type, the display will show “**P**” for pass and “**F**” for Fail.

Test 0: SRAM Test – Display shows “**0**”. The test will display “**P**” or “**F**” when finished.

Test 1: EPROM Test – Display shows “**1**”. The test will display “**P**” or “**F**” when finished.

Test 2: LED Test – Display shows “**2**”. All LED’s will turn on for 5 seconds. Check that all LED’s light up. The clear LED’s should be brighter than the red LED’s. Check that brightness is consistent for each type of LED. LED’s will then turn on one at a time.

Test 3: BATTERY Test – Display shows “**3**”. The test will display “**P**” or “**F**” when finished.

Test 4: BUTTON/POTS/ENCODERS Test - Display shows “**4**”. Pressing each button will light up the corresponding LED. The **UP/DOWN** buttons will light up the LED’s to the left of the buttons.

- Turning each of the potentiometers, except for **VOLUME**, through its full range of motion will display “**0**” through “**9**”. “**0**” corresponds to the full CCW position and “**9**” to the full CW position.
- Turning each encoder through all 16 positions will display “**0-9, A-F**”. Flat part of shaft at 12 o’ clock position is “**0**”.
- EXIT Test 4 – Press the **UP/DOWN** buttons at the same time to exit Test 4.

Test 5: MIDI Test – Display shows “**5**”. The test will display “**P**” or “**F**” when finished. (A MIDI cable needs to be connected between the unit’s MIDI In and MIDI Out ports for this test.)

Test 6: RJ-45 Test – Display shows “**6**”. This is a production test that requires a special test fixture. Please ignore.



Service Dept.

6033 De Soto Ave.

Woodland Hills, CA 91367

P. 818-575-3600

F. 818-676-1585

E. service@line6.com

Procedure for reinitialization of POD (Hard reset)

Power unit up while holding down the up and down arrow buttons. Hold for 3 seconds and then release. Factory presets will be re-installed.

Procedure for identifying firmware version of POD

Power unit up while holding down the “manual” button. LED display will read out full number. POD 2 will read “P-O-D-2.0 2.x”