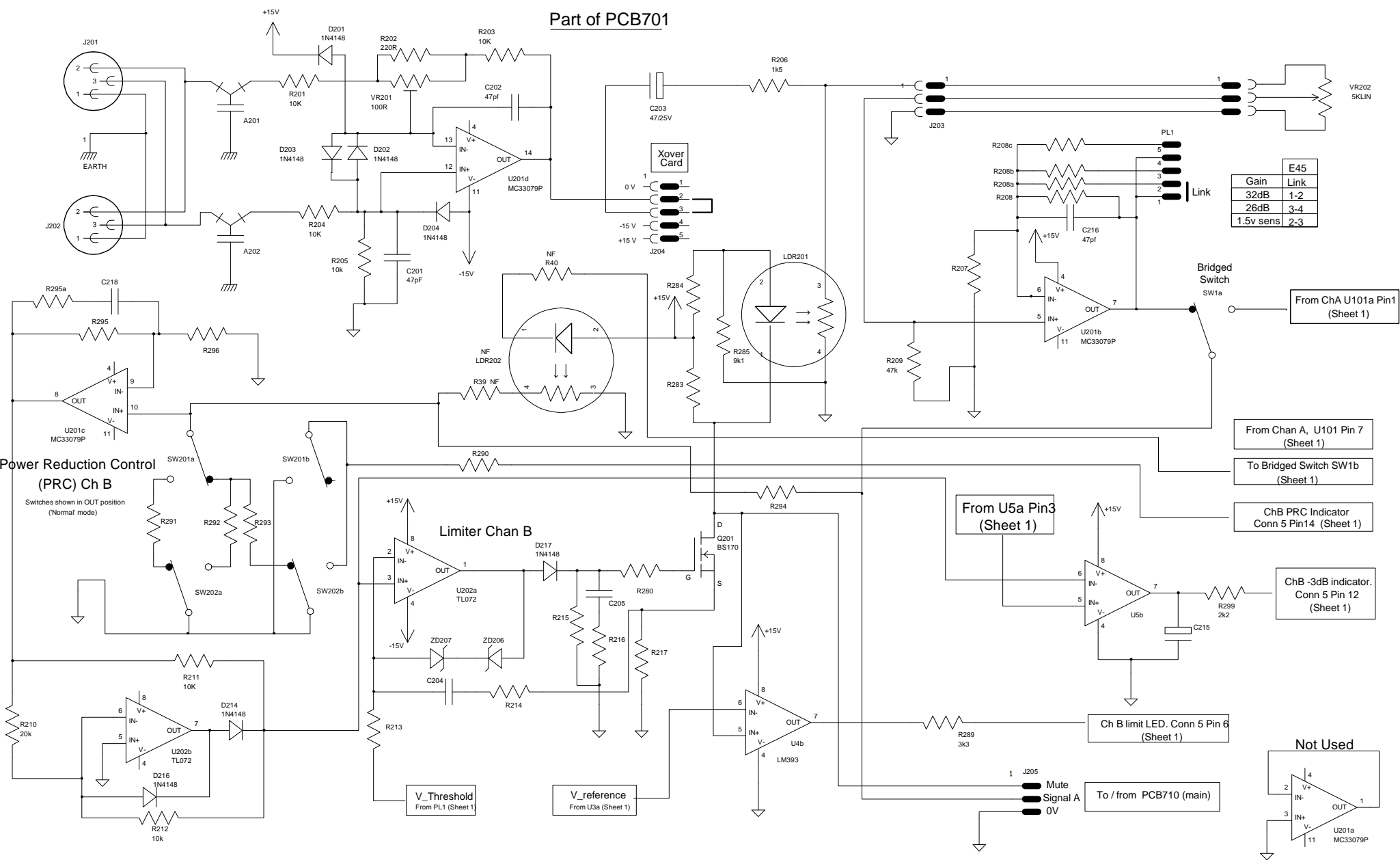


Part of PCB701



| Gain | Link |
|-----------|------|
| 32dB | 1-2 |
| 26dB | 3-4 |
| 1.5v sens | 2-3 |

Power Reduction Control (PRC) Ch B
Switches shown in OUT position (Normal mode)

Limiter Chan B

From U5a Pin3 (Sheet 1)

From Chan A, U101 Pin 7 (Sheet 1)

To Bridged Switch SW1b (Sheet 1)

ChB PRC Indicator Conn 5 Pin14 (Sheet 1)

ChB -3dB indicator. Conn 5 Pin 12 (Sheet 1)

Ch B limit LED. Conn 5 Pin 6 (Sheet 1)

To / from PCB710 (main)

