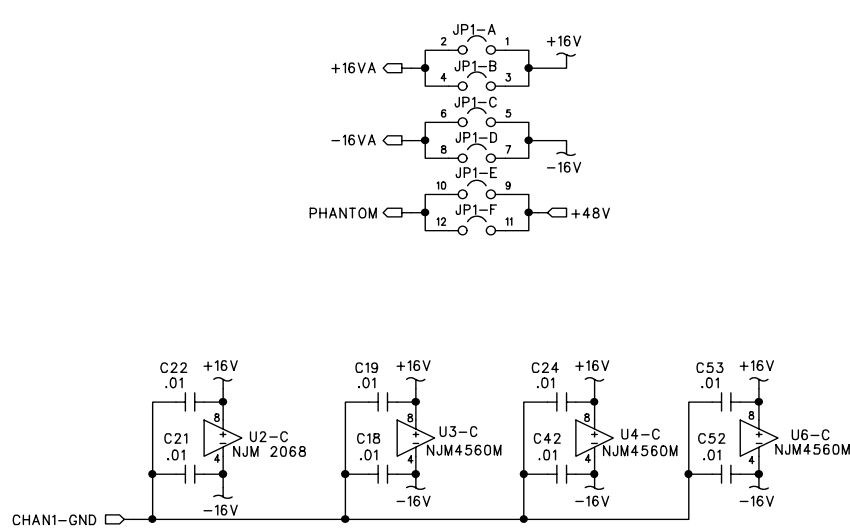


- SOLO-CTL → J6-1
 - +5V-RTN → J6-2
 - +5V → J6-3
 - L-SOLO → J6-4
 - L-SOLO-GND → J6-5
 - FLASH-BUS → J6-6
 - R-SOLO → J6-7
 - R-SOLO-GND → J6-8
 - PFL-GND → J6-9
 - PFL → J6-10
- AUX-1-BUS → J4-6
 - AUX-1-BUS-GND → J4-7
 - AUX-2-BUS → J4-8
 - AUX-3-BUS → J4-9
 - AUX-3-BUS-GND → J4-10
 - AUX-4-BUS → J4-11
 - AUX-5-BUS → J4-12
 - AUX-5-BUS-GND → J4-13
 - AUX-6-BUS → J4-14
- SUB-1 → J5-1
 - SUB-1-GND → J5-2
 - SUB-2-GND → J5-3
 - SUB-2 → J5-4
 - SUB-3 → J5-5
 - SUB-3-GND → J5-6
 - SUB-4 → J5-7
 - SUB-4-GND → J5-8
 - L-BUS → J5-9
 - L-BUS-GND → J5-10
 - R-BUS → J5-11
 - R-BUS-GND → J5-12

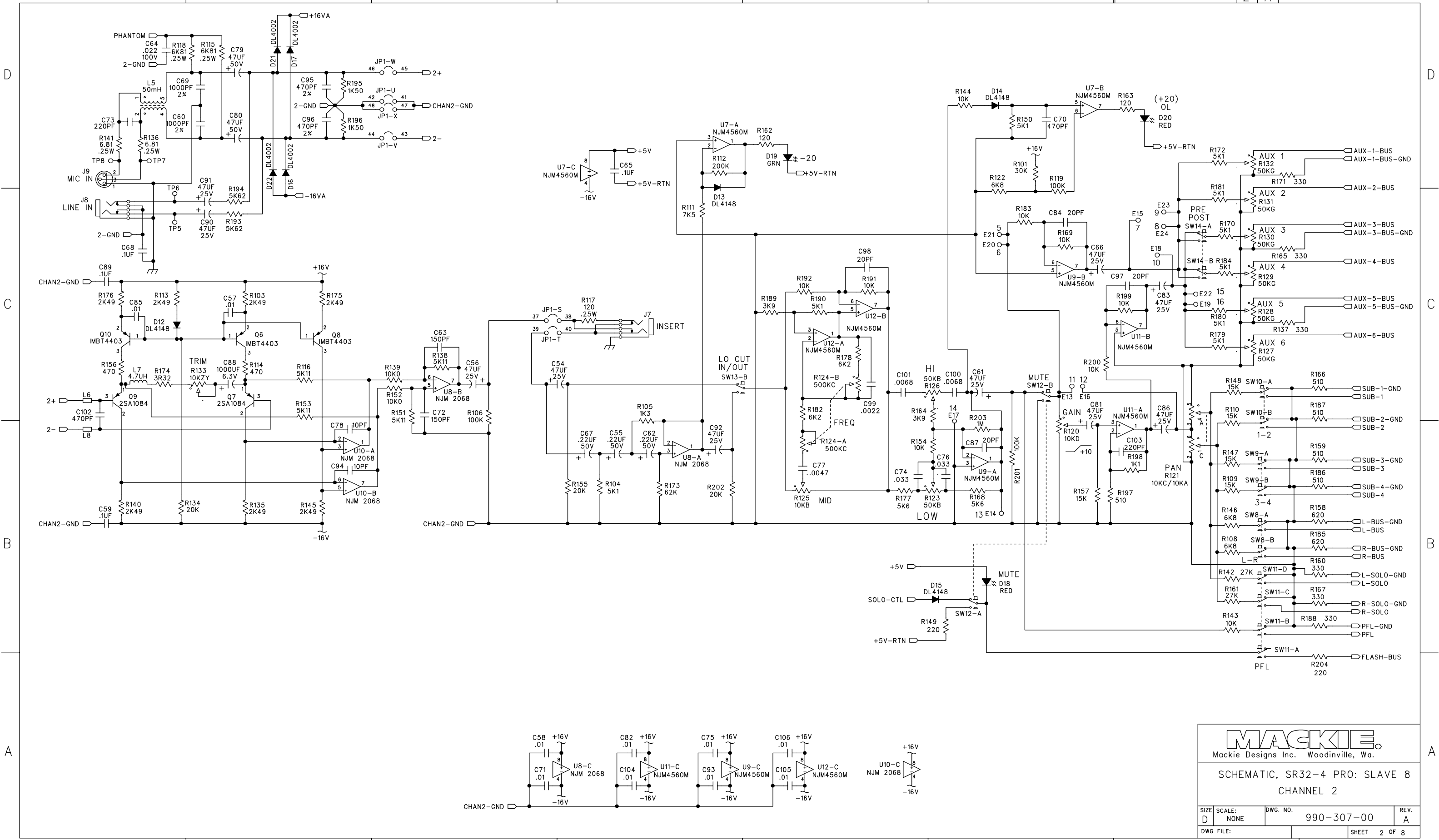


UNLESS OTHERWISE SPECIFIED DIMENSIONS ARE IN INCHES TOLERANCES ARE: FRACTIONS: DECIMALS: ANGLES: ±NA .XX ±.01 ±MA .XXX ±.005	APPROVALS	DATE
	CHECKED: KR	12-10-99
MATERIAL: SEE NOTES	NP ENG:	
	MATERIAL:	
FINISH: SEE NOTES	MFG:	
	MFG ENG:	
DO NOT SCALE DRAWING	ISSUED:	

MACKIE
Mackie Designs Inc. Woodinville, Wa.

SCHEMATIC, SR24-4 PRO: SLAVE 8
CHANNEL 1

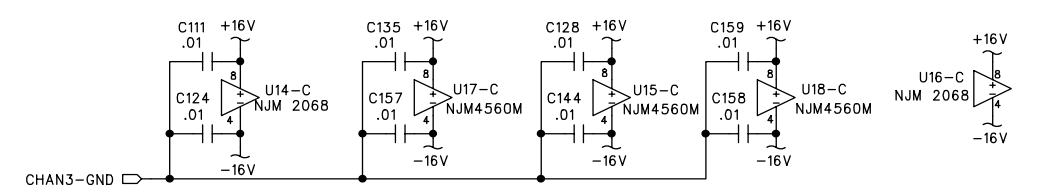
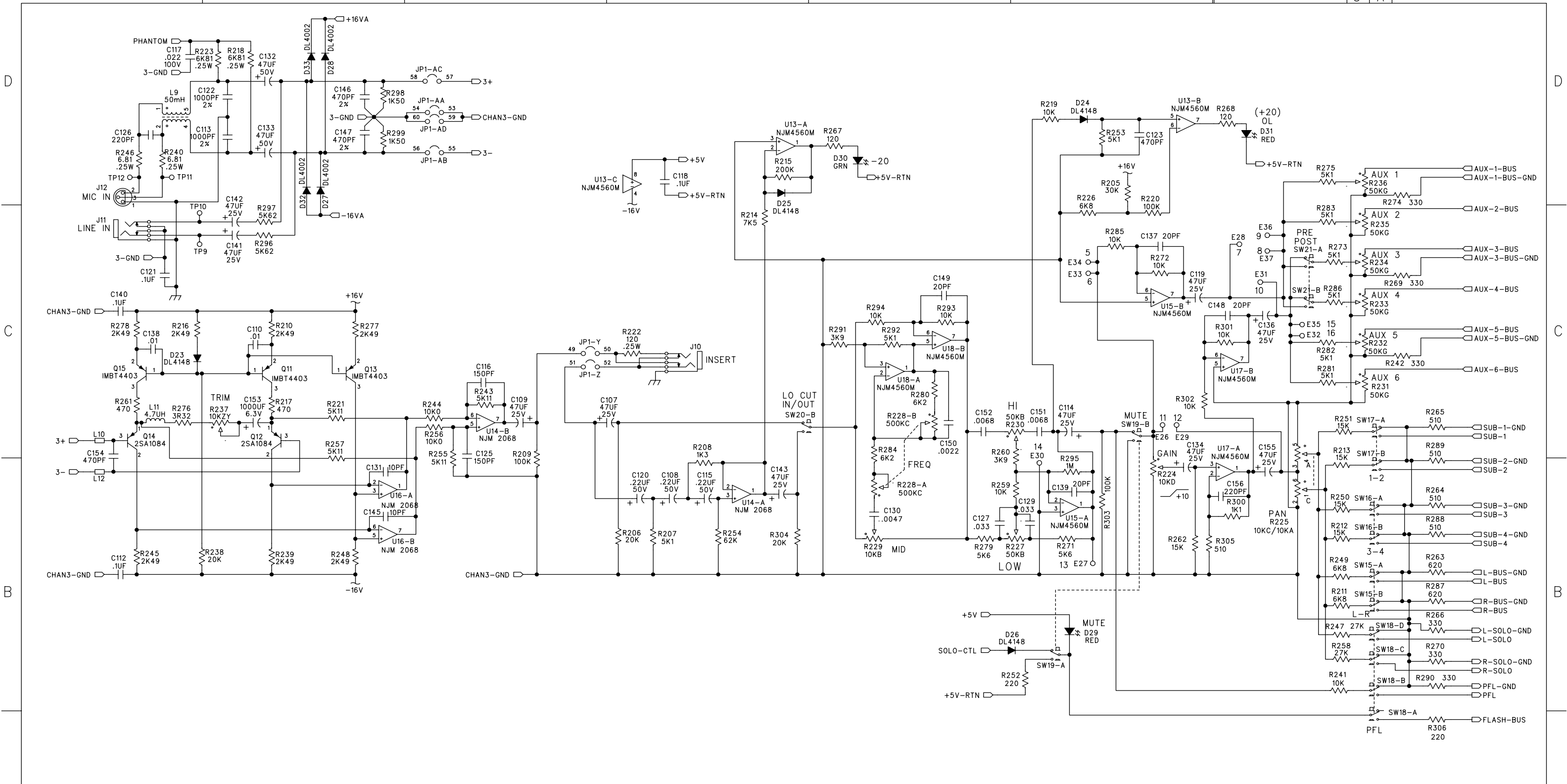
SIZE: D	SCALE: NONE	DWG. NO. 990-307-00	REV. A
DWG FILE:		SHEET 1 OF 8	



MACKIE
Mackie Designs Inc. Woodinville, Wa.

SCHMATIC, SR32-4 PRO: SLAVE 8
CHANNEL 2

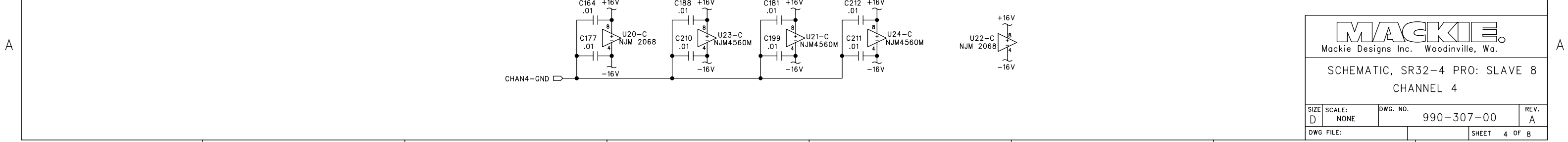
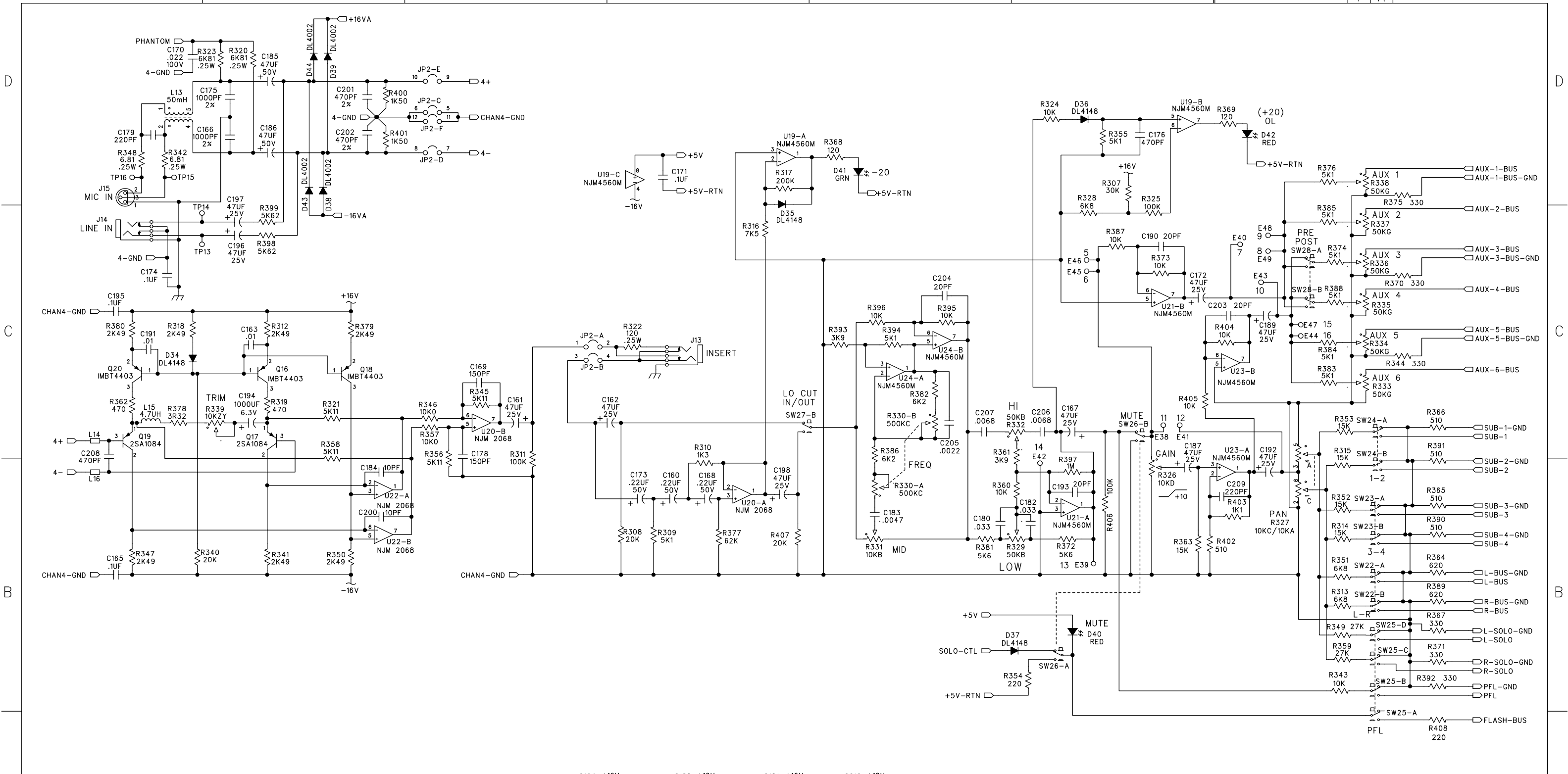
SIZE: D	SCALE: NONE	DWG. NO. 990-307-00	REV. A
DWG FILE:		SHEET 2 OF 8	



MACKIE
Mackie Designs Inc. Woodinville, Wa.

SCHMATIC, SR32-4 PRO: SLAVE 8
CHANNEL 3

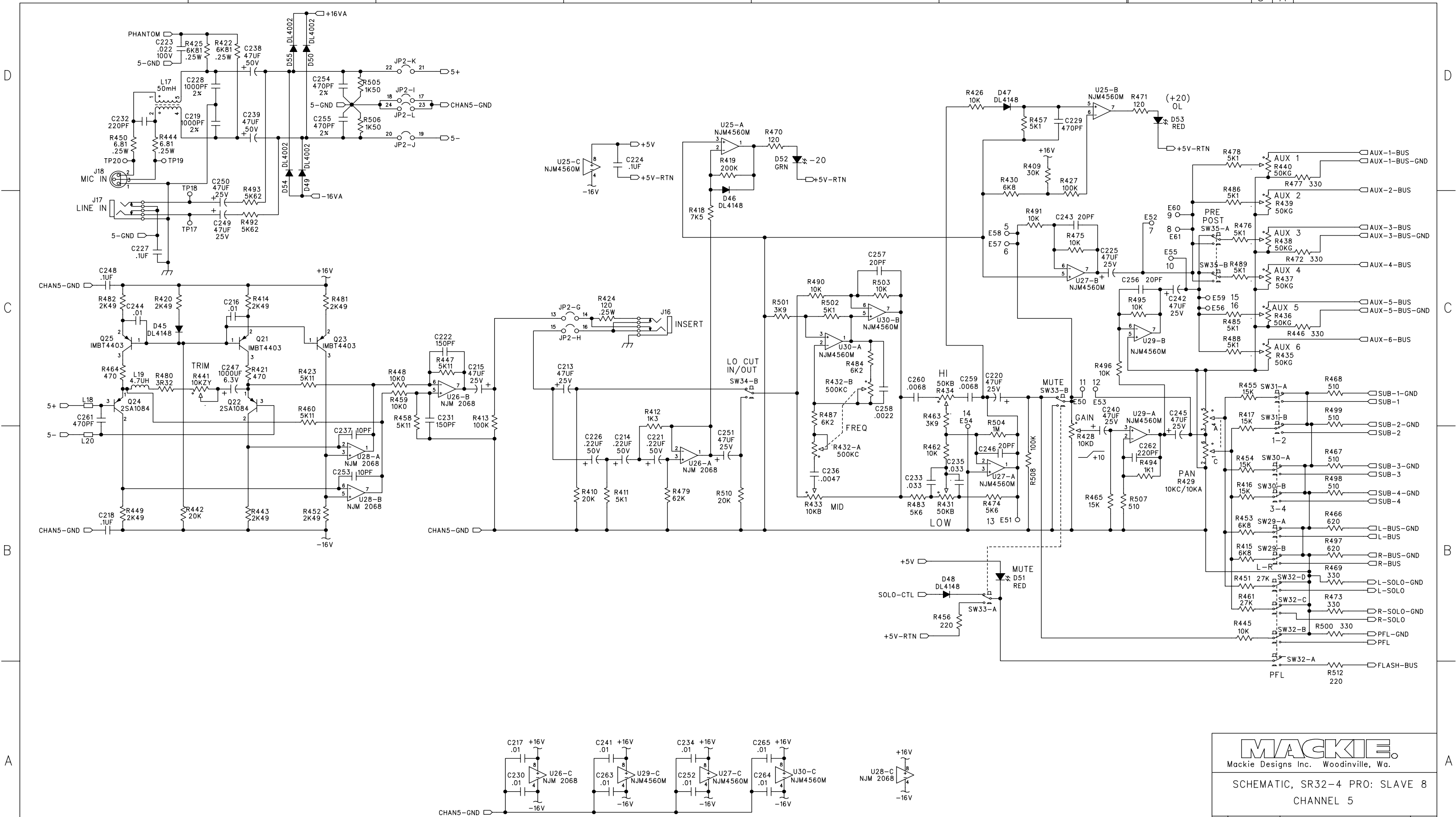
SIZE: D	SCALE: NONE	DWG. NO.: 990-307-00	REV: A
DWG FILE:		SHEET 3 OF 8	



MACKIE
Mackie Designs Inc. Woodinville, Wa.

SCHMATIC, SR32-4 PRO: SLAVE 8
CHANNEL 4

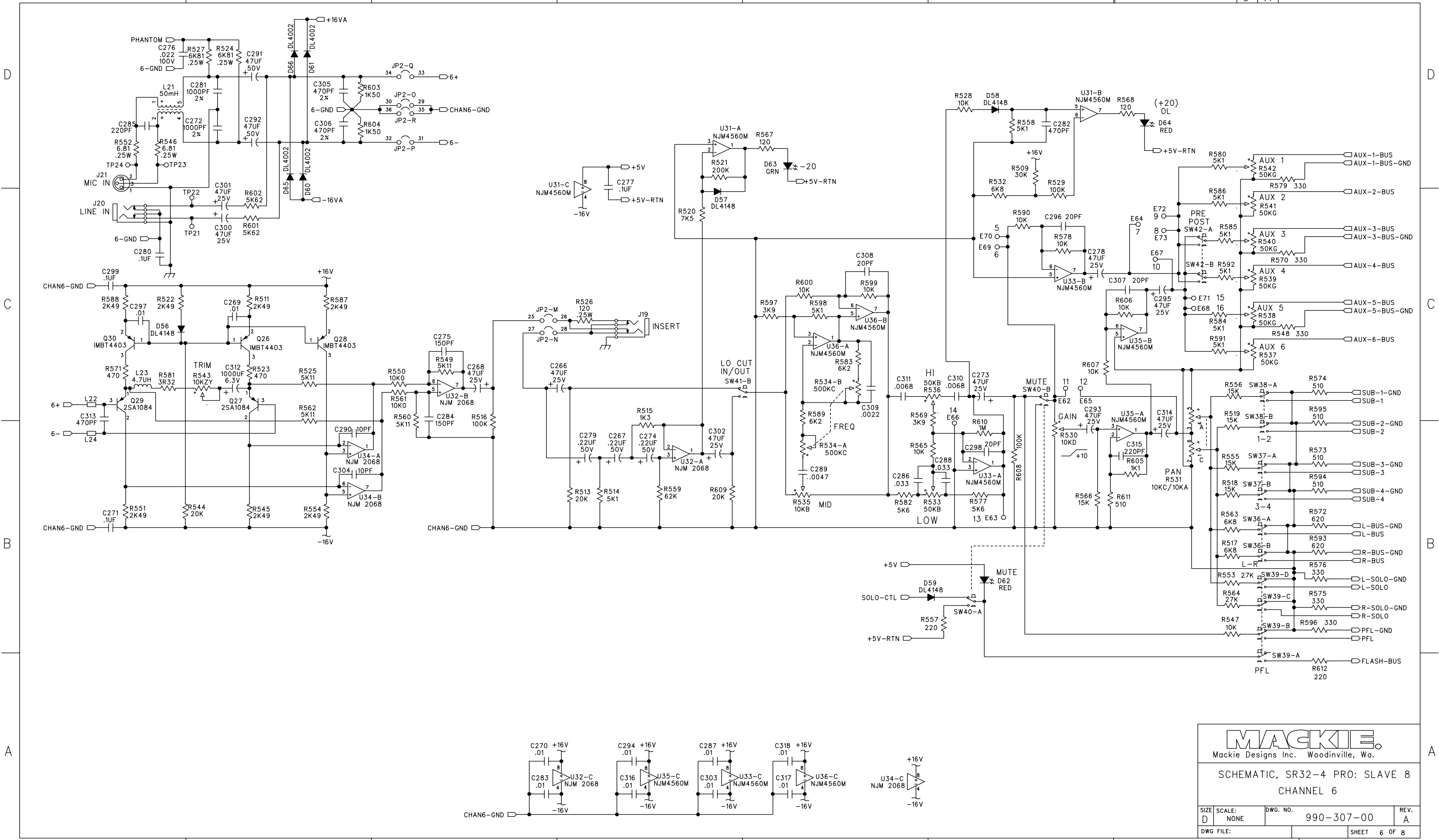
SIZE: D	SCALE: NONE	DWG. NO.: 990-307-00	REV.: A
DWG. FILE:		SHEET 4 OF 8	



MACKIE
Mackie Designs Inc. Woodinville, Wa.

SCHEMATIC, SR32-4 PRO: SLAVE 8
CHANNEL 5

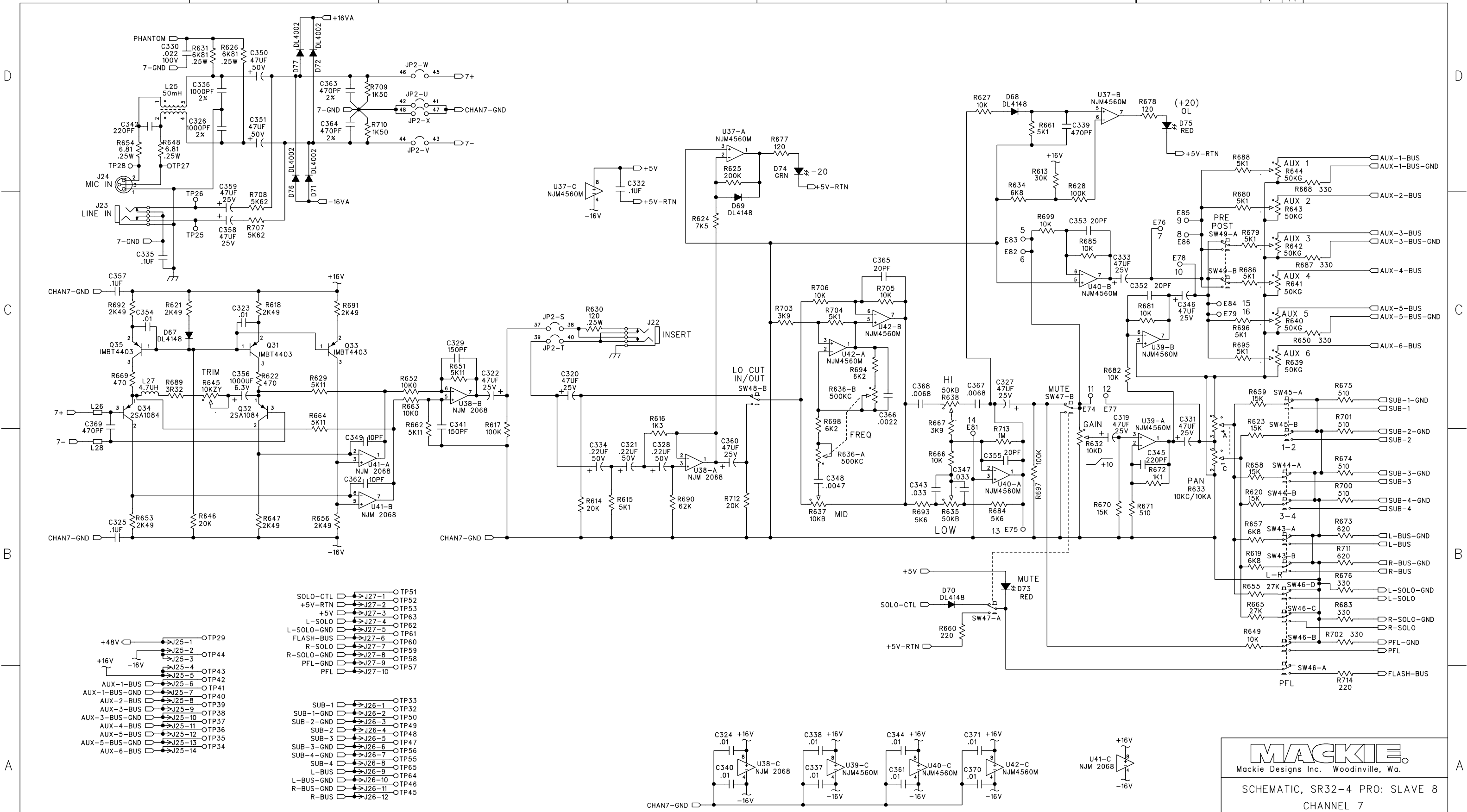
SIZE: D	SCALE: NONE	DWG. NO.: 990-307-00	REV.: A
DWG FILE:		SHEET 5 OF 8	



MACKIE
Mackie Designs Inc. Woodinville, Wa.

SCHMATIC, SR32-4 PRO: SLAVE 8
CHANNEL 6

SIZE: D	SCALE: NONE	DWG. NO. 990-307-00	REV. A
DWG FILE:		SHEET 6 OF 8	

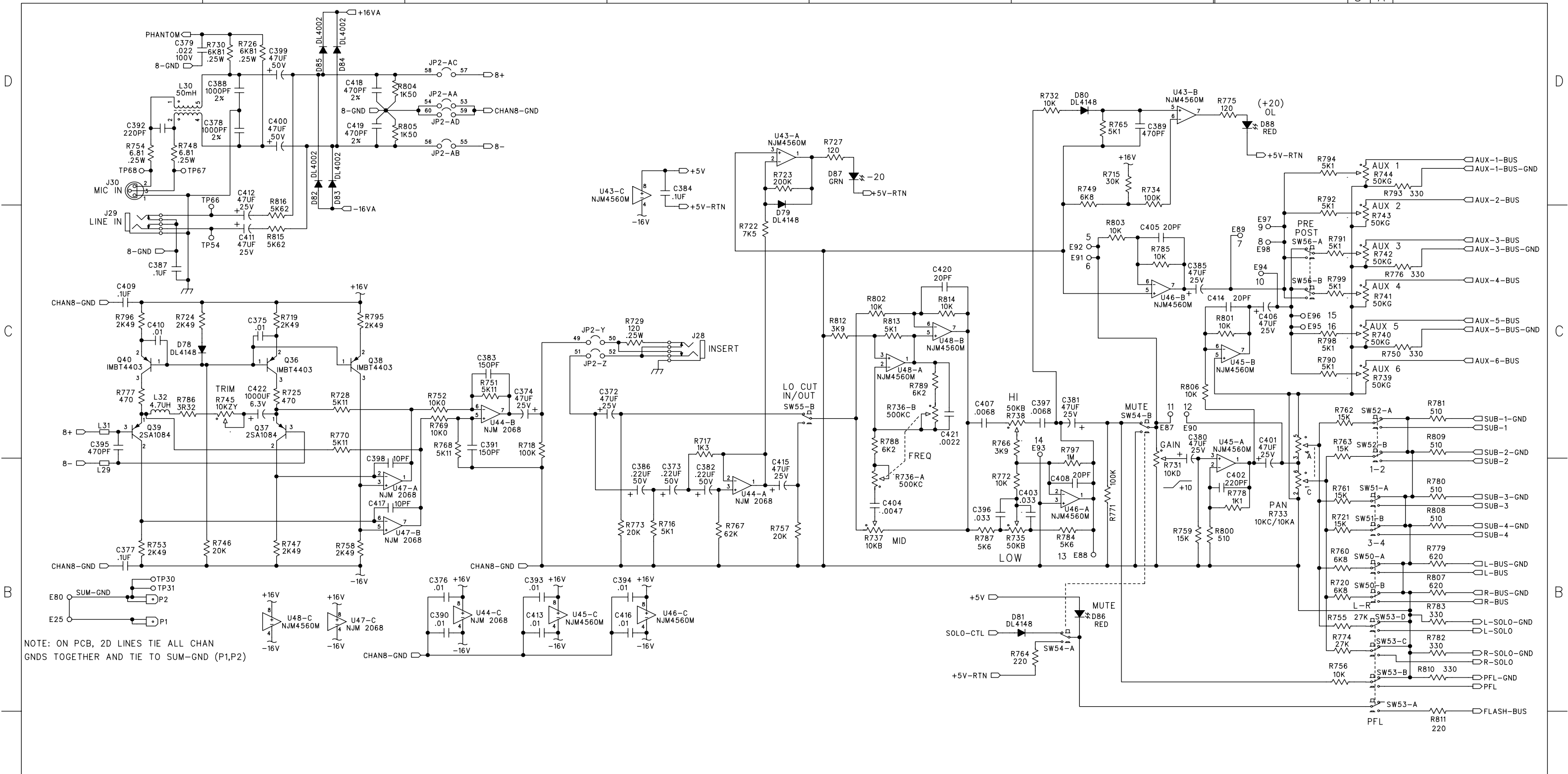


- SOLO-CTL → J27-1 → TP51
 - +5V-RTN → J27-2 → TP52
 - +5V → J27-3 → TP53
 - L-SOLO → J27-4 → TP63
 - L-SOLO-GND → J27-5 → TP61
 - FLASH-BUS → J27-6 → TP60
 - R-SOLO → J27-7 → TP59
 - R-SOLO-GND → J27-8 → TP58
 - PFL-GND → J27-9 → TP57
 - PFL → J27-10 → TP57
-
- +48V → J25-1 → TP29
 - +16V → J25-2 → OTP44
 - 16V → J25-3 → TP41
 - AUX-1-BUS → J25-4 → TP43
 - AUX-1-BUS-GND → J25-5 → TP42
 - AUX-2-BUS → J25-6 → TP40
 - AUX-2-BUS-GND → J25-7 → TP39
 - AUX-3-BUS → J25-8 → TP38
 - AUX-3-BUS-GND → J25-9 → TP37
 - AUX-4-BUS → J25-10 → TP36
 - AUX-4-BUS-GND → J25-11 → TP35
 - AUX-5-BUS → J25-12 → TP34
 - AUX-5-BUS-GND → J25-13 → TP35
 - AUX-6-BUS → J25-14 → TP34
-
- SUB-1 → J26-1 → TP33
 - SUB-1-GND → J26-2 → TP32
 - SUB-2-GND → J26-3 → TP50
 - SUB-2 → J26-4 → TP49
 - SUB-3 → J26-5 → TP47
 - SUB-3-GND → J26-6 → TP56
 - SUB-4-GND → J26-7 → TP55
 - SUB-4 → J26-8 → TP65
 - L-BUS → J26-9 → TP64
 - L-BUS-GND → J26-10 → TP46
 - R-BUS-GND → J26-11 → TP45
 - R-BUS → J26-12 → TP45

MACKIE
Mackie Designs Inc. Woodinville, Wa.

SCHMATIC, SR32-4 PRO: SLAVE 8
CHANNEL 7

SIZE: D	SCALE: NONE	DWG. NO.: 990-307-00	REV.: A
DWG FILE:		SHEET 7 OF 8	



NOTE: ON PCB, 2D LINES TIE ALL CHAN GNDS TOGETHER AND TIE TO SUM-GND (P1,P2)

MACKIE
Mackie Designs Inc. Woodinville, Wa.

SCHEMATIC, SR32-4 PRO: SLAVE 8
CHANNEL 8

SIZE: D	SCALE: NONE	DWG. NO.: 990-307-00	REV: A
DWG FILE:		SHEET 8 OF 8	

