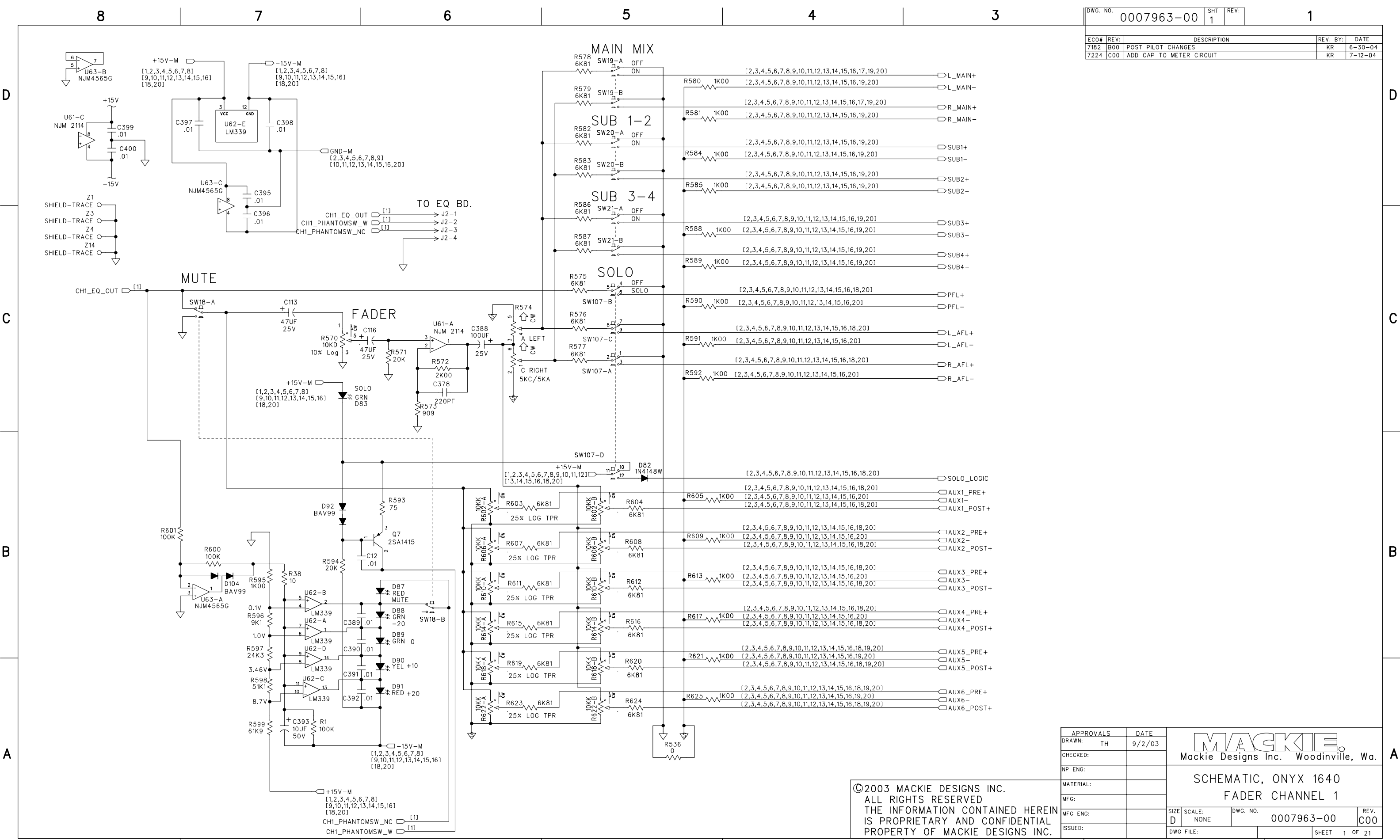


ECO#	REV:	DESCRIPTION	REV. BY:	DATE
7182	B00	POST PILOT CHANGES	KR	6-30-04
7224	C00	ADD CAP TO METER CIRCUIT	KR	7-12-04



APPROVALS	DATE
DRAWN: TH	9/2/03
CHECKED:	
NP ENG:	
MATERIAL:	
MFG:	
MFG ENG:	
ISSUED:	

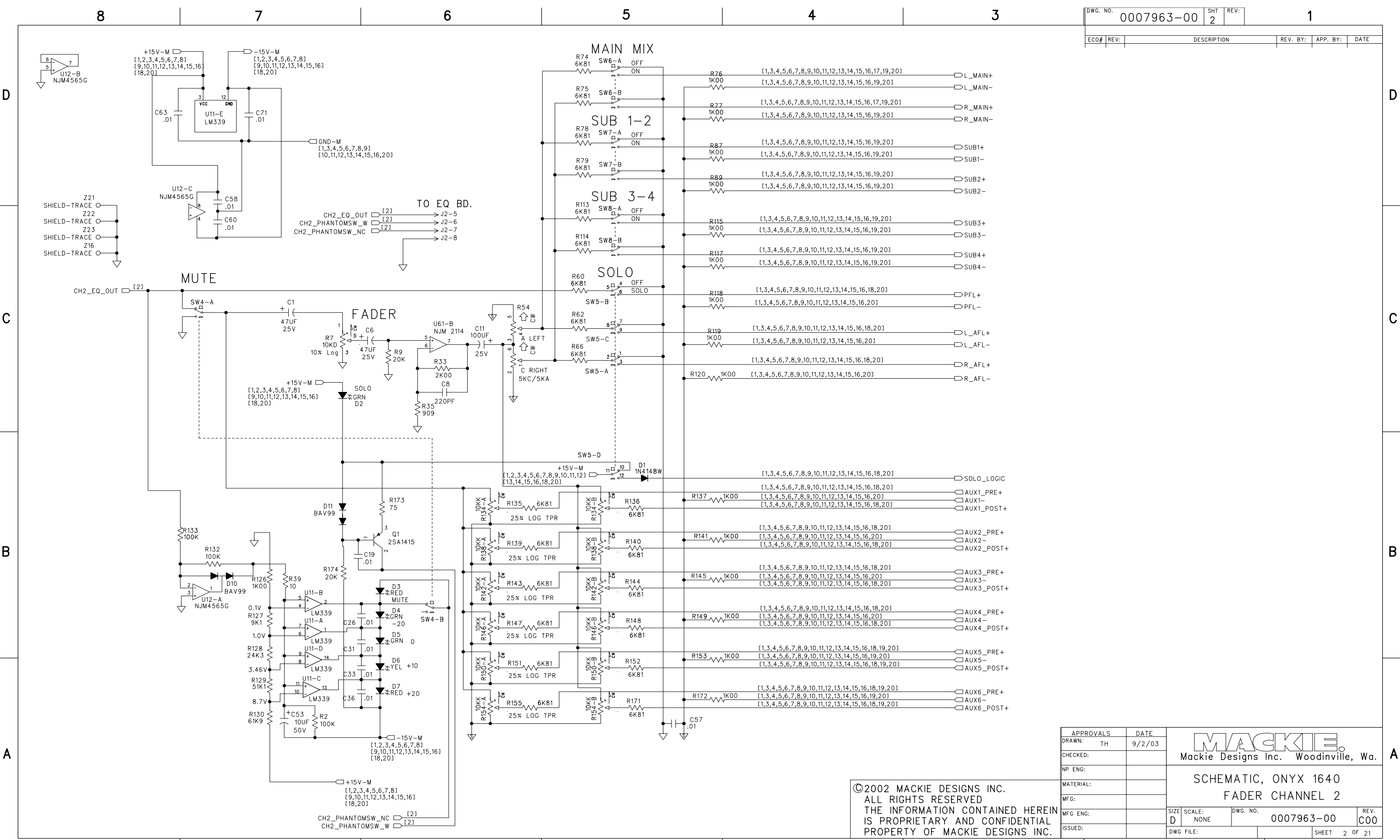
MACKIE
Mackie Designs Inc. Woodinville, Wa.

SCHEMATIC, ONYX 1640
FADER CHANNEL 1

SIZE: D	SCALE: NONE	DWG. NO. 0007963-00	REV. C00
DWG FILE:		SHEET 1 OF 21	

©2003 MACKIE DESIGNS INC.
ALL RIGHTS RESERVED
THE INFORMATION CONTAINED HEREIN
IS PROPRIETARY AND CONFIDENTIAL
PROPERTY OF MACKIE DESIGNS INC.

ECO#	REV:	DESCRIPTION	REV. BY:	APP. BY:	DATE
------	------	-------------	----------	----------	------



APPROVALS	DATE
DRAWN: TH	9/2/03
CHECKED:	
NP ENG:	
MATERIAL:	
MFG:	
MFG ENG:	
ISSUED:	

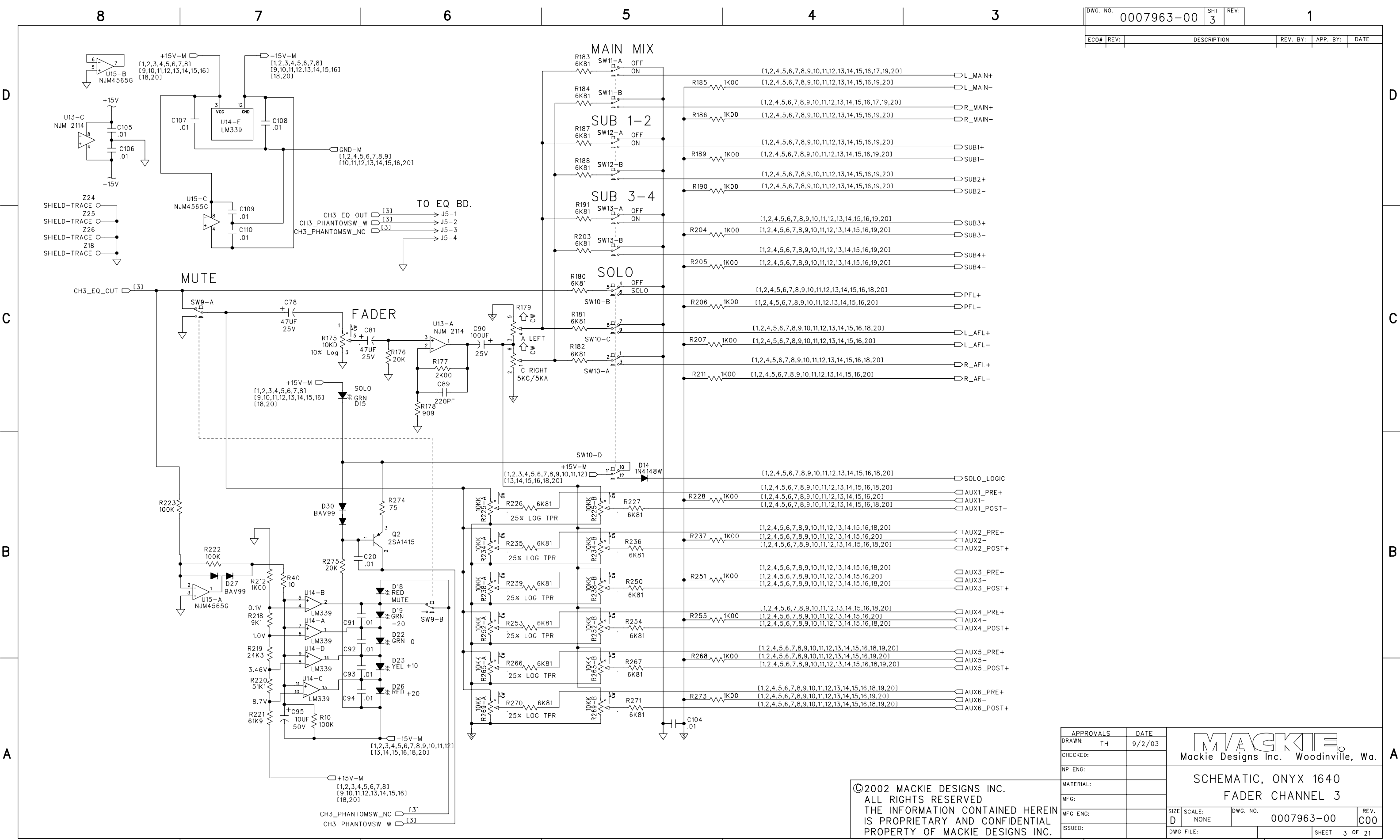
MACKIE
Mackie Designs Inc. Woodinville, Wa.

SCHEMATIC, ONYX 1640
FADER CHANNEL 2

SIZE: D	SCALE: NONE	DWG. NO. 0007963-00	REV. C00
DWG FILE:		SHEET 2 OF 21	

©2002 MACKIE DESIGNS INC.
ALL RIGHTS RESERVED
THE INFORMATION CONTAINED HEREIN
IS PROPRIETARY AND CONFIDENTIAL
PROPERTY OF MACKIE DESIGNS INC.

ECO#	REV:	DESCRIPTION	REV. BY:	APP. BY:	DATE



APPROVALS	DATE
DRAWN: TH	9/2/03
CHECKED:	
NP ENG:	
MATERIAL:	
MFG:	
MFG ENG:	
ISSUED:	

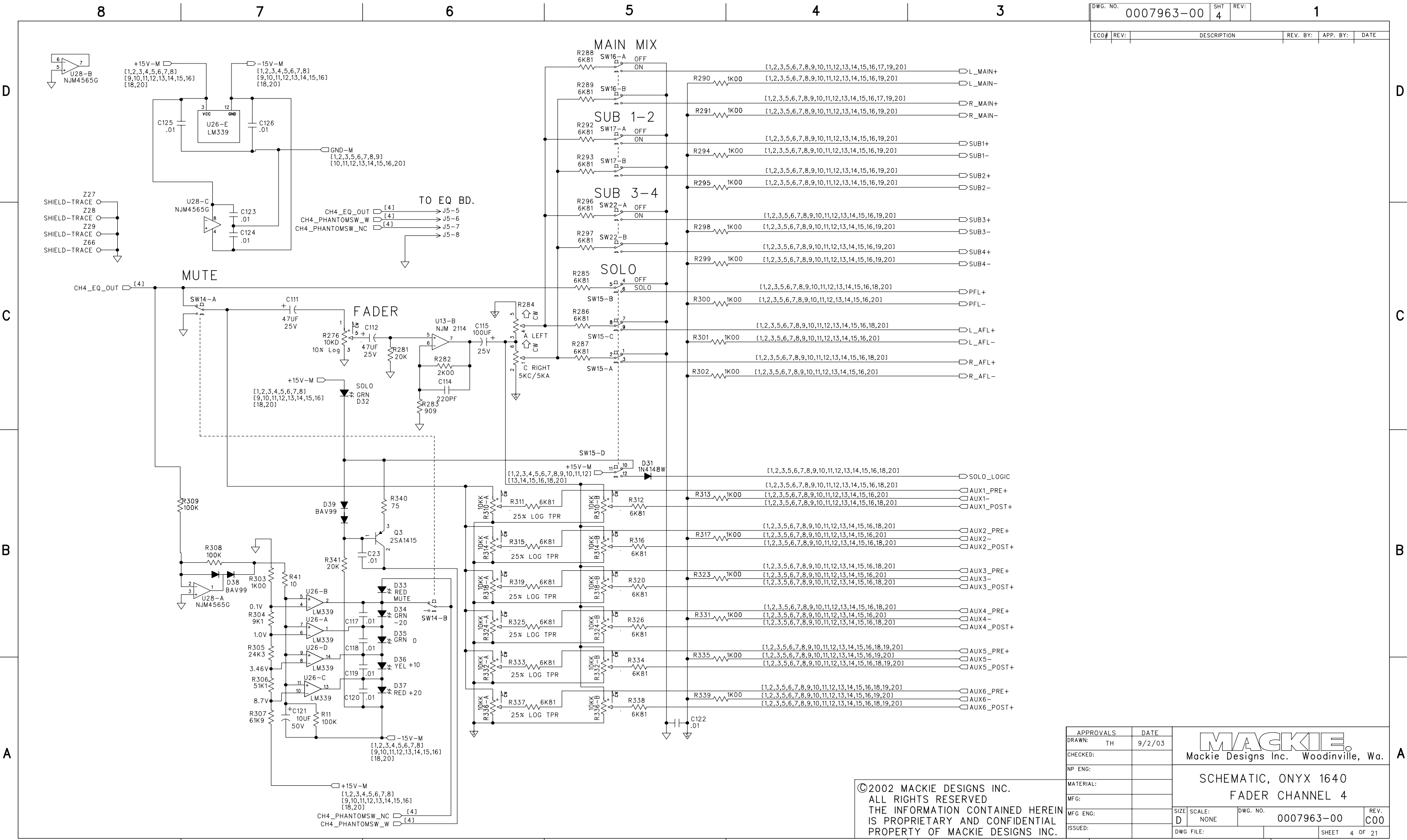
MACKIE
Mackie Designs Inc. Woodinville, Wa.

SCHEMATIC, ONYX 1640
FADER CHANNEL 3

SIZE: D	SCALE: NONE	DWG. NO. 0007963-00	REV. C00
DWG FILE:		SHEET 3 OF 21	

©2002 MACKIE DESIGNS INC.
ALL RIGHTS RESERVED
THE INFORMATION CONTAINED HEREIN
IS PROPRIETARY AND CONFIDENTIAL
PROPERTY OF MACKIE DESIGNS INC.

ECO#	REV:	DESCRIPTION	REV. BY:	APP. BY:	DATE



APPROVALS	DATE
DRAWN: TH	9/2/03
CHECKED:	
NP ENG:	
MATERIAL:	
MFG:	
MFG ENG:	
ISSUED:	

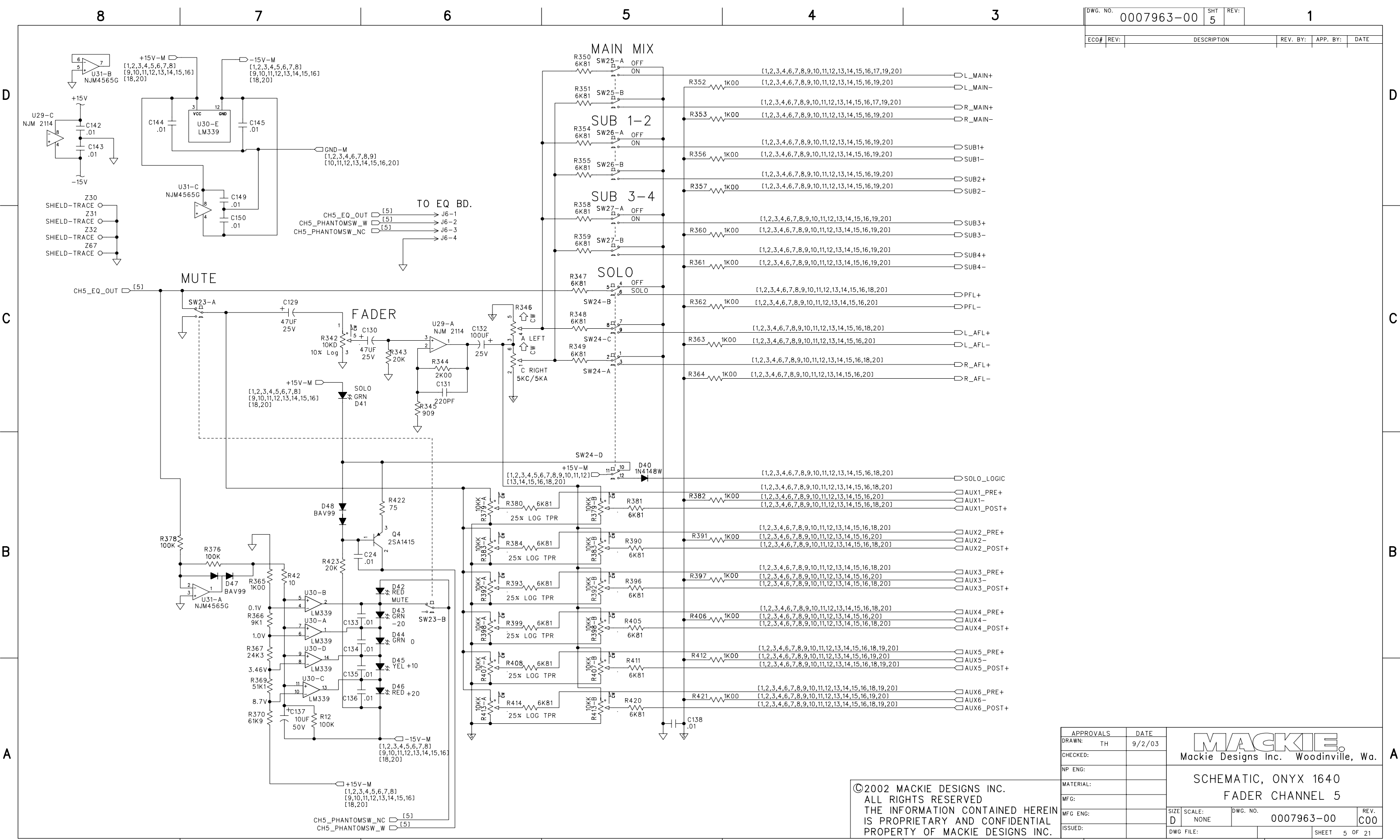
MACKIE
Mackie Designs Inc. Woodinville, Wa.

**SCHEMATIC, ONYX 1640
FADER CHANNEL 4**

SIZE: D	SCALE: NONE	DWG. NO. 0007963-00	REV. C00
DWG FILE:		SHEET 4 OF 21	

©2002 MACKIE DESIGNS INC.
ALL RIGHTS RESERVED
THE INFORMATION CONTAINED HEREIN
IS PROPRIETARY AND CONFIDENTIAL
PROPERTY OF MACKIE DESIGNS INC.

ECO#	REV:	DESCRIPTION	REV. BY:	APP. BY:	DATE
------	------	-------------	----------	----------	------



APPROVALS	DATE
DRAWN: TH	9/2/03
CHECKED:	
NP ENG:	
MATERIAL:	
MFG:	
MFG ENG:	
ISSUED:	

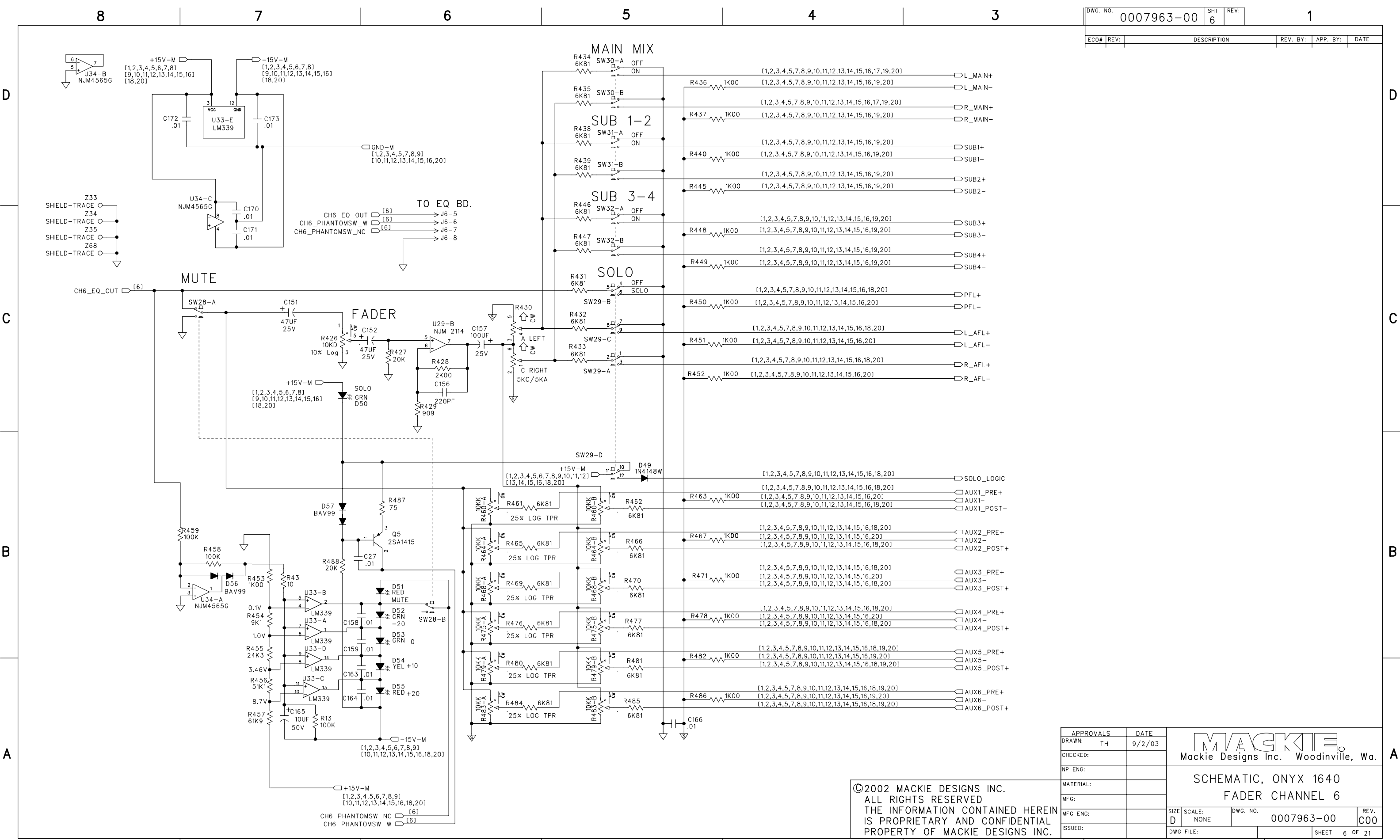
MACKIE
Mackie Designs Inc. Woodinville, Wa.

SCHMATIC, ONYX 1640
FADER CHANNEL 5

SIZE: D	SCALE: NONE	DWG. NO. 0007963-00	REV. C00
DWG FILE:		SHEET 5 OF 21	

©2002 MACKIE DESIGNS INC.
ALL RIGHTS RESERVED
THE INFORMATION CONTAINED HEREIN
IS PROPRIETARY AND CONFIDENTIAL
PROPERTY OF MACKIE DESIGNS INC.

ECO#	REV:	DESCRIPTION	REV. BY:	APP. BY:	DATE



APPROVALS	DATE
DRAWN: TH	9/2/03
CHECKED:	
NP ENG:	
MATERIAL:	
MFG:	
MFG ENG:	
ISSUED:	

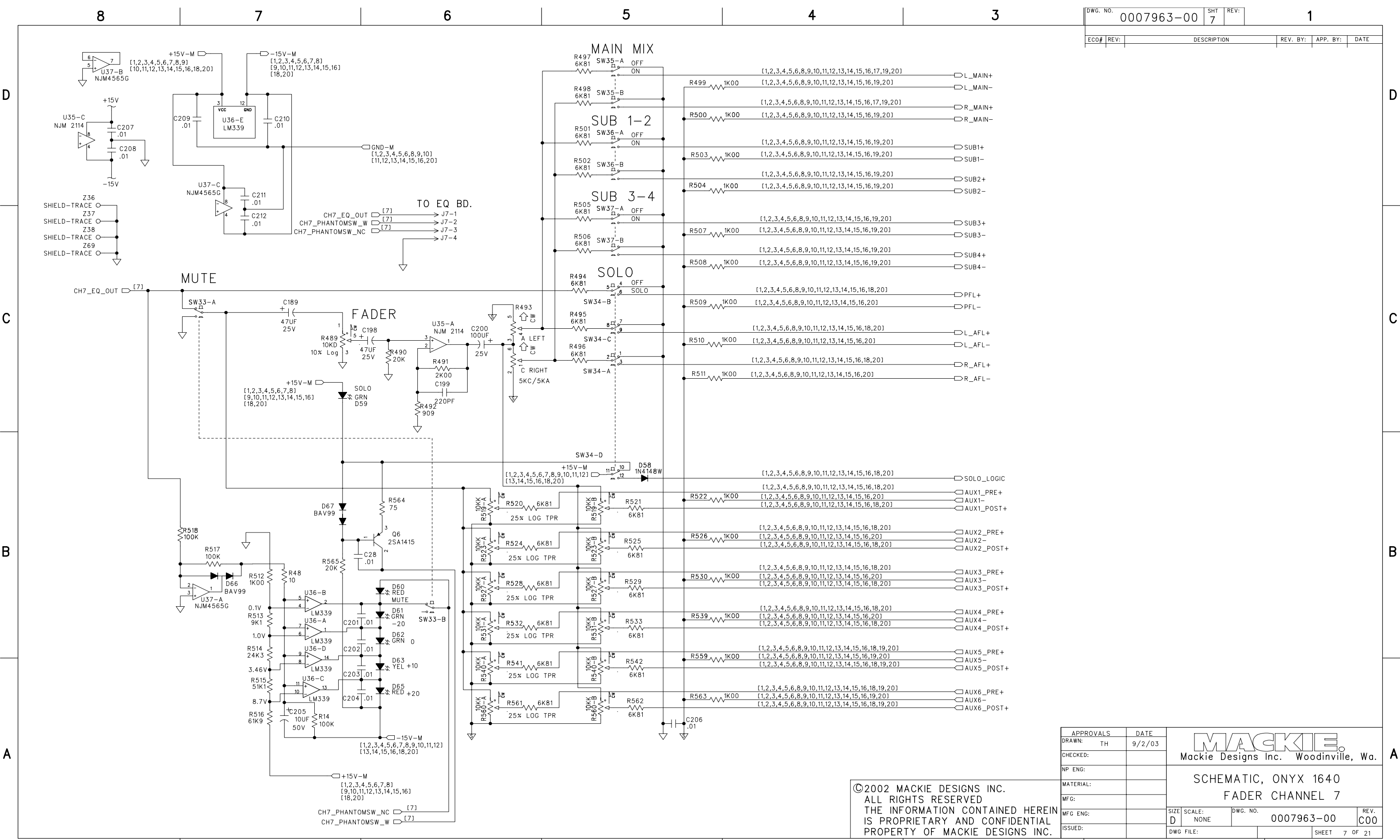
MACKIE
Mackie Designs Inc. Woodinville, Wa.

SCHEMATIC, ONYX 1640
FADER CHANNEL 6

SIZE: D	SCALE: NONE	DWG. NO. 0007963-00	REV. C00
DWG FILE:		SHEET 6 OF 21	

©2002 MACKIE DESIGNS INC.
ALL RIGHTS RESERVED
THE INFORMATION CONTAINED HEREIN
IS PROPRIETARY AND CONFIDENTIAL
PROPERTY OF MACKIE DESIGNS INC.

ECO#	REV:	DESCRIPTION	REV. BY:	APP. BY:	DATE
------	------	-------------	----------	----------	------



APPROVALS	DATE
DRAWN: TH	9/2/03
CHECKED:	
NP ENG:	
MATERIAL:	
MFG:	
MFG ENG:	
ISSUED:	

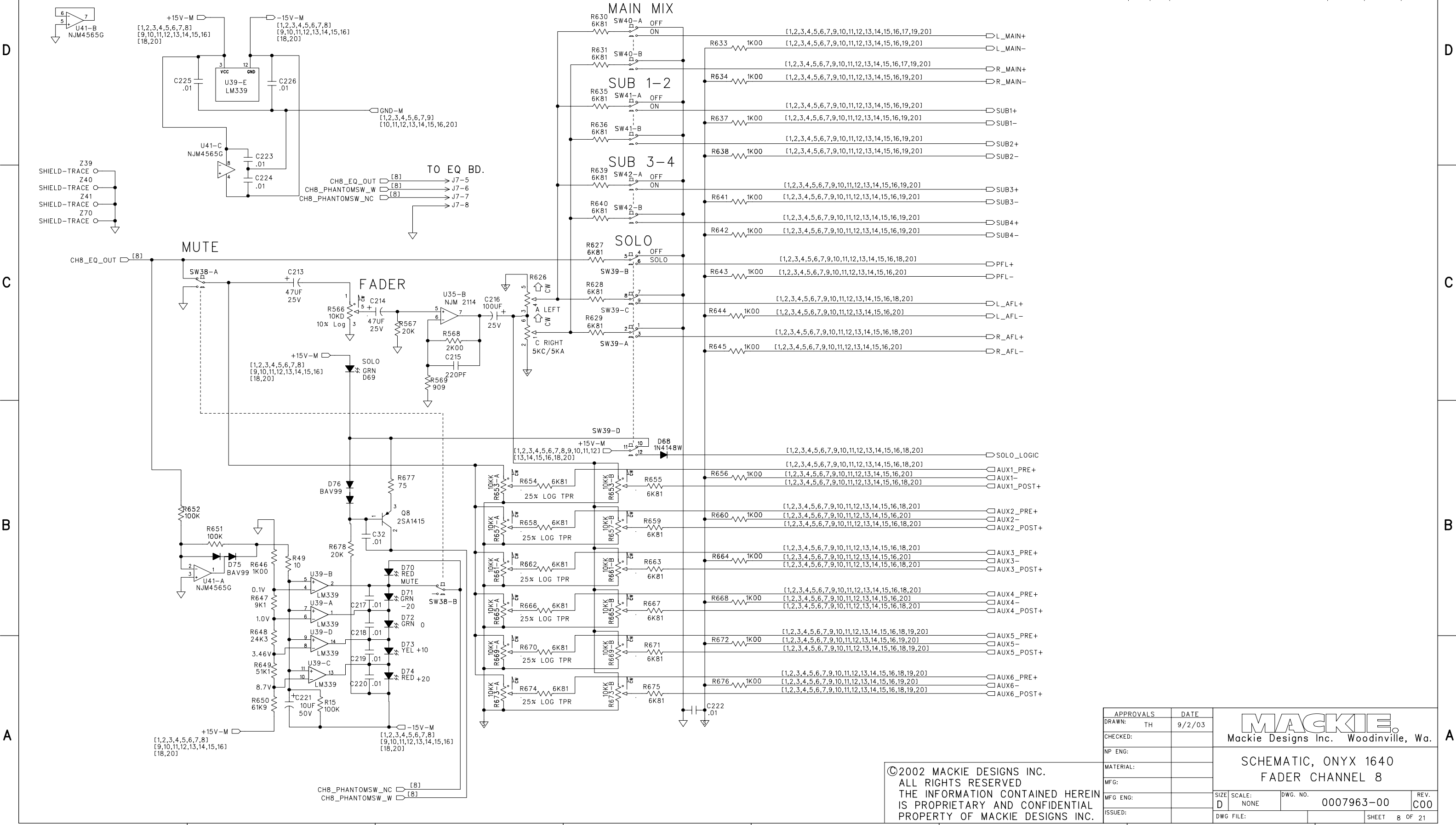
MACKIE
Mackie Designs Inc. Woodinville, Wa.

**SCHEMATIC, ONYX 1640
FADER CHANNEL 7**

SIZE: D	SCALE: NONE	DWG. NO. 0007963-00	REV. C00
DWG FILE:		SHEET 7 OF 21	

©2002 MACKIE DESIGNS INC.
ALL RIGHTS RESERVED
THE INFORMATION CONTAINED HEREIN
IS PROPRIETARY AND CONFIDENTIAL
PROPERTY OF MACKIE DESIGNS INC.

ECO#	REV:	DESCRIPTION	REV. BY:	APP. BY:	DATE



APPROVALS	DATE
DRAWN: TH	9/2/03
CHECKED:	
NP ENG:	
MATERIAL:	
MFG:	
MFG ENG:	
ISSUED:	

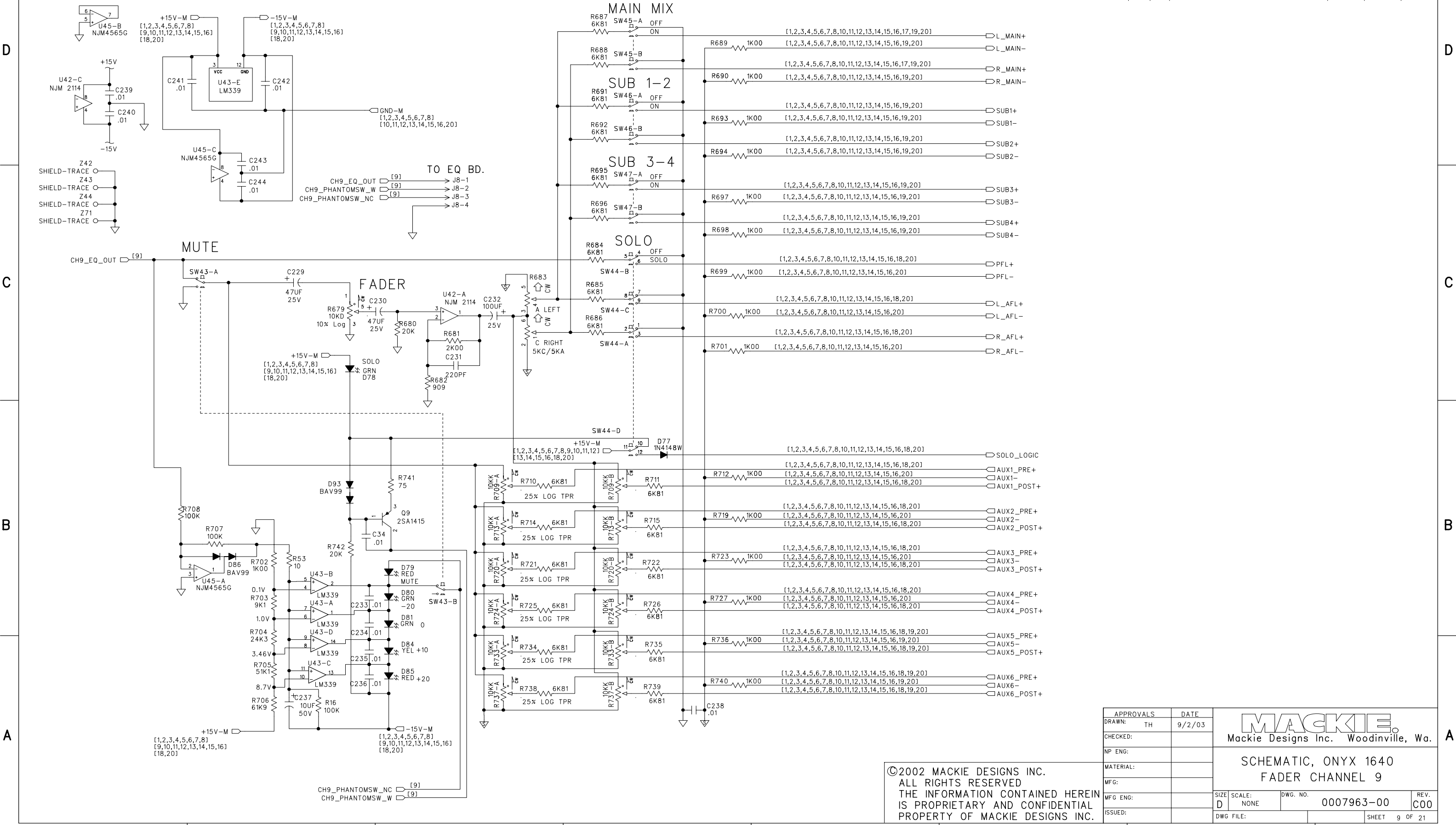
MACKIE
Mackie Designs Inc. Woodinville, Wa.

SCHEMATIC, ONYX 1640
FADER CHANNEL 8

SIZE: D	SCALE: NONE	DWG. NO. 0007963-00	REV. C00
DWG FILE:		SHEET 8 OF 21	

©2002 MACKIE DESIGNS INC.
ALL RIGHTS RESERVED
THE INFORMATION CONTAINED HEREIN
IS PROPRIETARY AND CONFIDENTIAL
PROPERTY OF MACKIE DESIGNS INC.

ECO#	REV:	DESCRIPTION	REV. BY:	APP. BY:	DATE
------	------	-------------	----------	----------	------



APPROVALS	DATE
DRAWN: TH	9/2/03
CHECKED:	
NP ENG:	
MATERIAL:	
MFG:	
MFG ENG:	
ISSUED:	

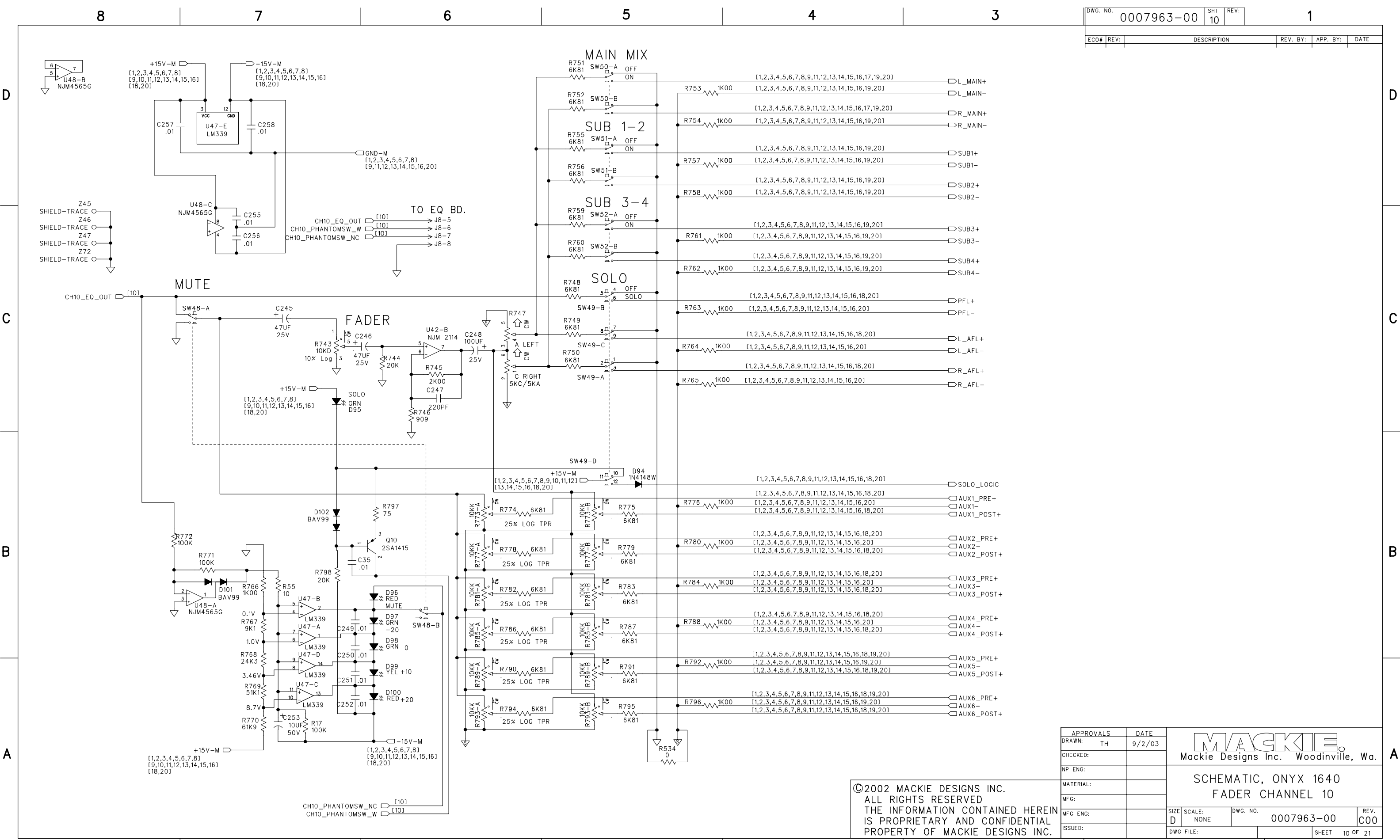
MACKIE
Mackie Designs Inc. Woodinville, Wa.

**SCHEMATIC, ONYX 1640
FADER CHANNEL 9**

SIZE: D	SCALE: NONE	DWG. NO. 0007963-00	REV. C00
DWG FILE:		SHEET 9 OF 21	

©2002 MACKIE DESIGNS INC.
ALL RIGHTS RESERVED
THE INFORMATION CONTAINED HEREIN
IS PROPRIETARY AND CONFIDENTIAL
PROPERTY OF MACKIE DESIGNS INC.

ECO#	REV:	DESCRIPTION	REV. BY:	APP. BY:	DATE



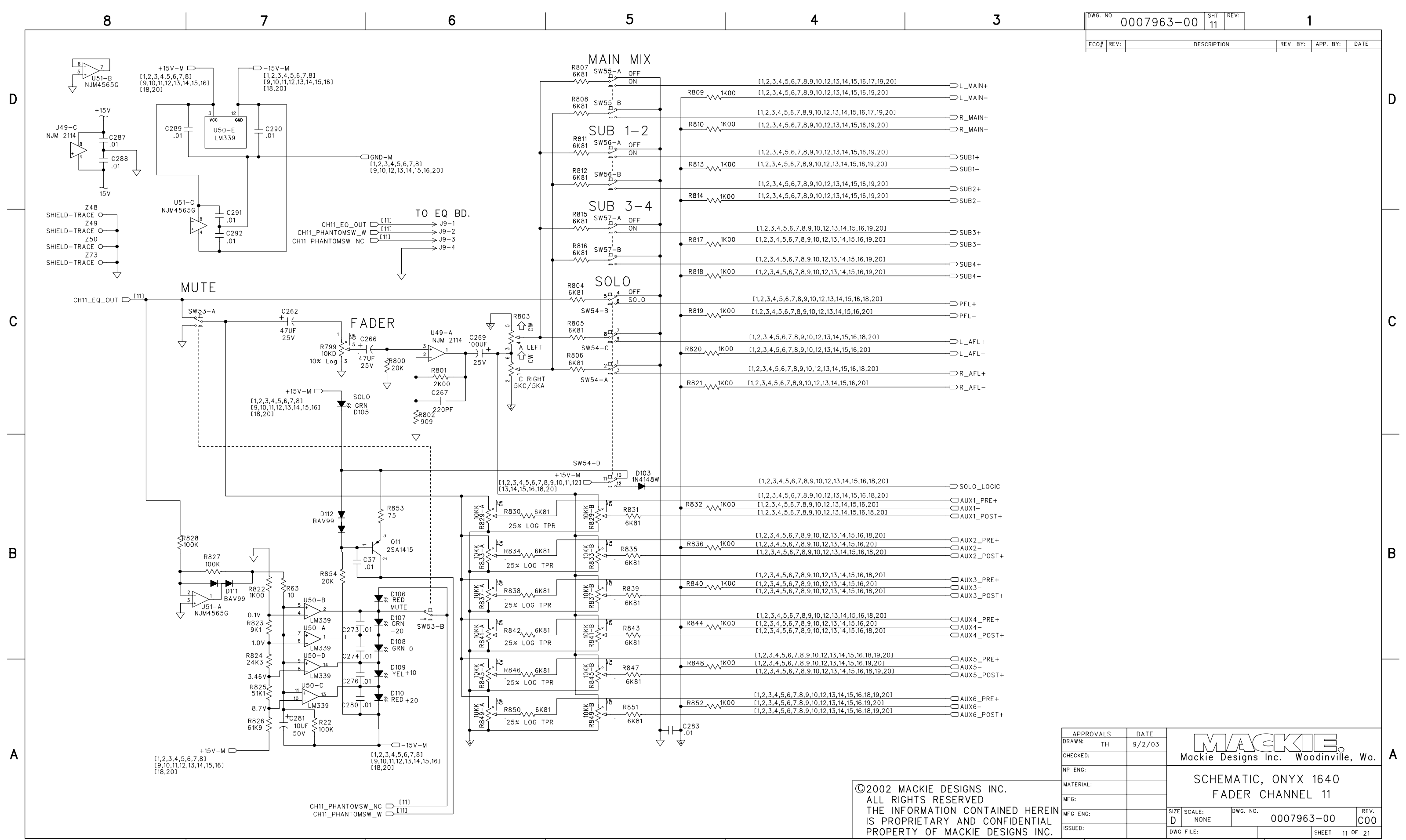
APPROVALS	DATE
DRAWN: TH	9/2/03
CHECKED:	
NP ENG:	
MATERIAL:	
MFG:	
MFG ENG:	
ISSUED:	

MACKIE
Mackie Designs Inc. Woodinville, Wa.

SCHEMATIC, ONYX 1640
FADER CHANNEL 10

SIZE: D	SCALE: NONE	DWG. NO. 0007963-00	REV. C00
DWG FILE:		SHEET 10 OF 21	

©2002 MACKIE DESIGNS INC.
ALL RIGHTS RESERVED
THE INFORMATION CONTAINED HEREIN
IS PROPRIETARY AND CONFIDENTIAL
PROPERTY OF MACKIE DESIGNS INC.



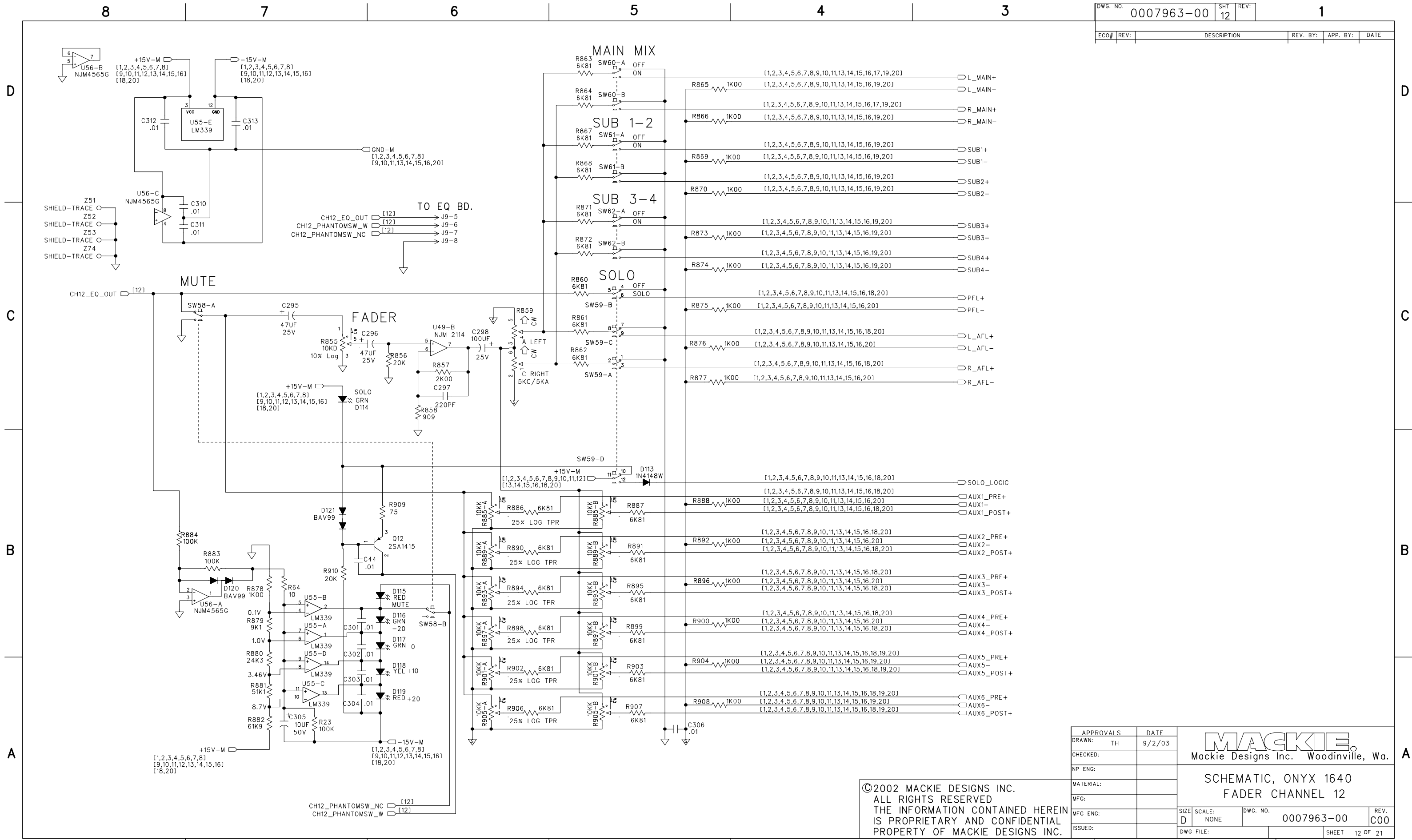
APPROVALS		DATE
DRAWN:	TH	9/2/03
CHECKED:		
NP ENG:		
MATERIAL:		
MFG:		
MFG ENG:		
ISSUED:		

SCHMATIC, ONYX 1640
FADER CHANNEL 11

SIZE: D	SCALE: NONE	DWG. NO. 0007963-00	REV. C00
DWG FILE:		SHEET 11 OF 21	

©2002 MACKIE DESIGNS INC.
 ALL RIGHTS RESERVED
 THE INFORMATION CONTAINED HEREIN
 IS PROPRIETARY AND CONFIDENTIAL
 PROPERTY OF MACKIE DESIGNS INC.

ECO#	REV:	DESCRIPTION	REV. BY:	APP. BY:	DATE
------	------	-------------	----------	----------	------



APPROVALS		DATE
DRAWN:	TH	9/2/03
CHECKED:		
NP ENG:		
MATERIAL:		
MFG:		
MFG ENG:		
ISSUED:		

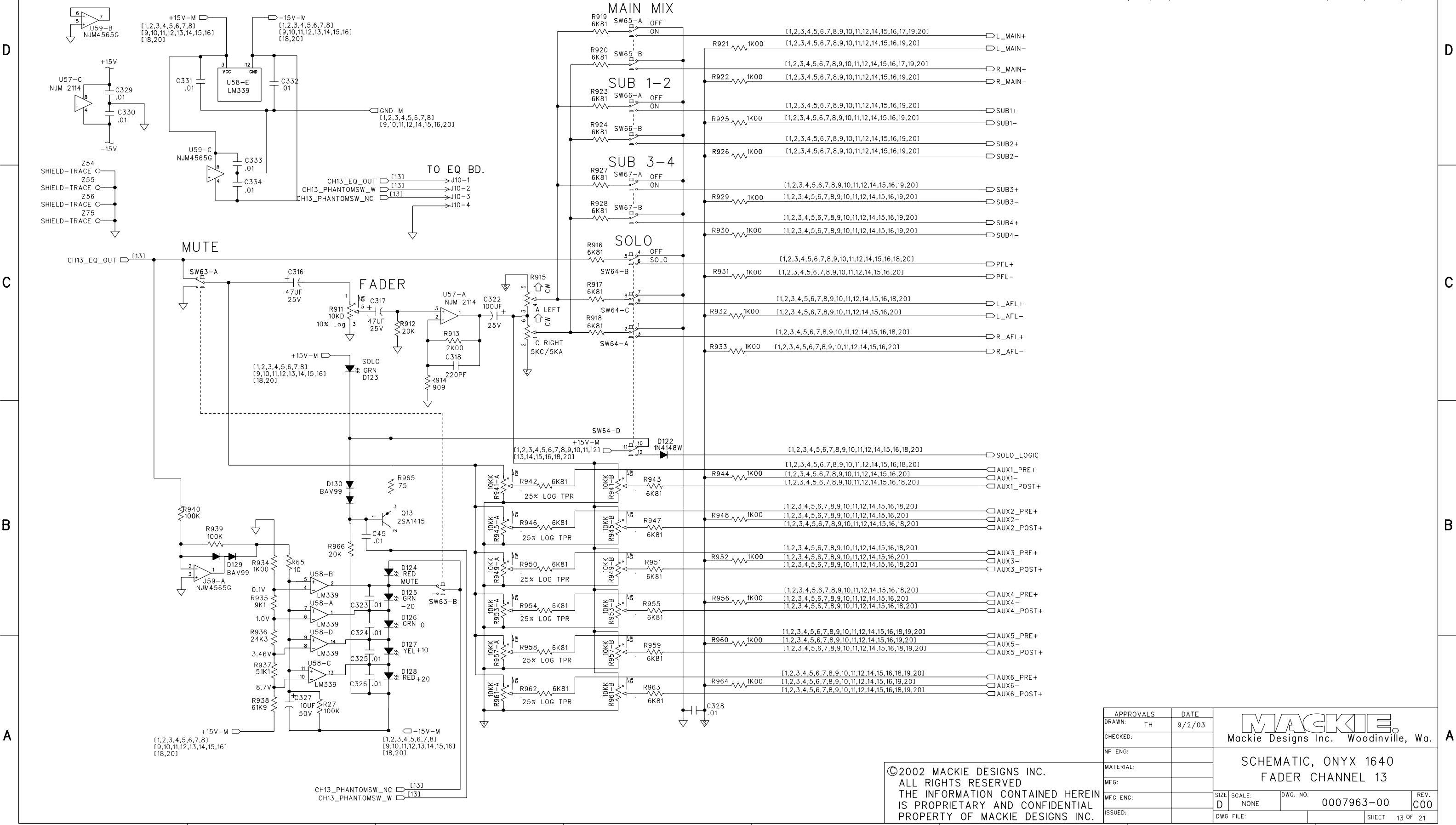
MACKIE
 Mackie Designs Inc. Woodinville, Wa.

SCHEMATIC, ONYX 1640
FADER CHANNEL 12

SIZE: D	SCALE: NONE	DWG. NO. 0007963-00	REV. C00
DWG FILE:		SHEET 12 OF 21	

©2002 MACKIE DESIGNS INC.
 ALL RIGHTS RESERVED
 THE INFORMATION CONTAINED HEREIN
 IS PROPRIETARY AND CONFIDENTIAL
 PROPERTY OF MACKIE DESIGNS INC.

ECO#	REV:	DESCRIPTION	REV. BY:	APP. BY:	DATE



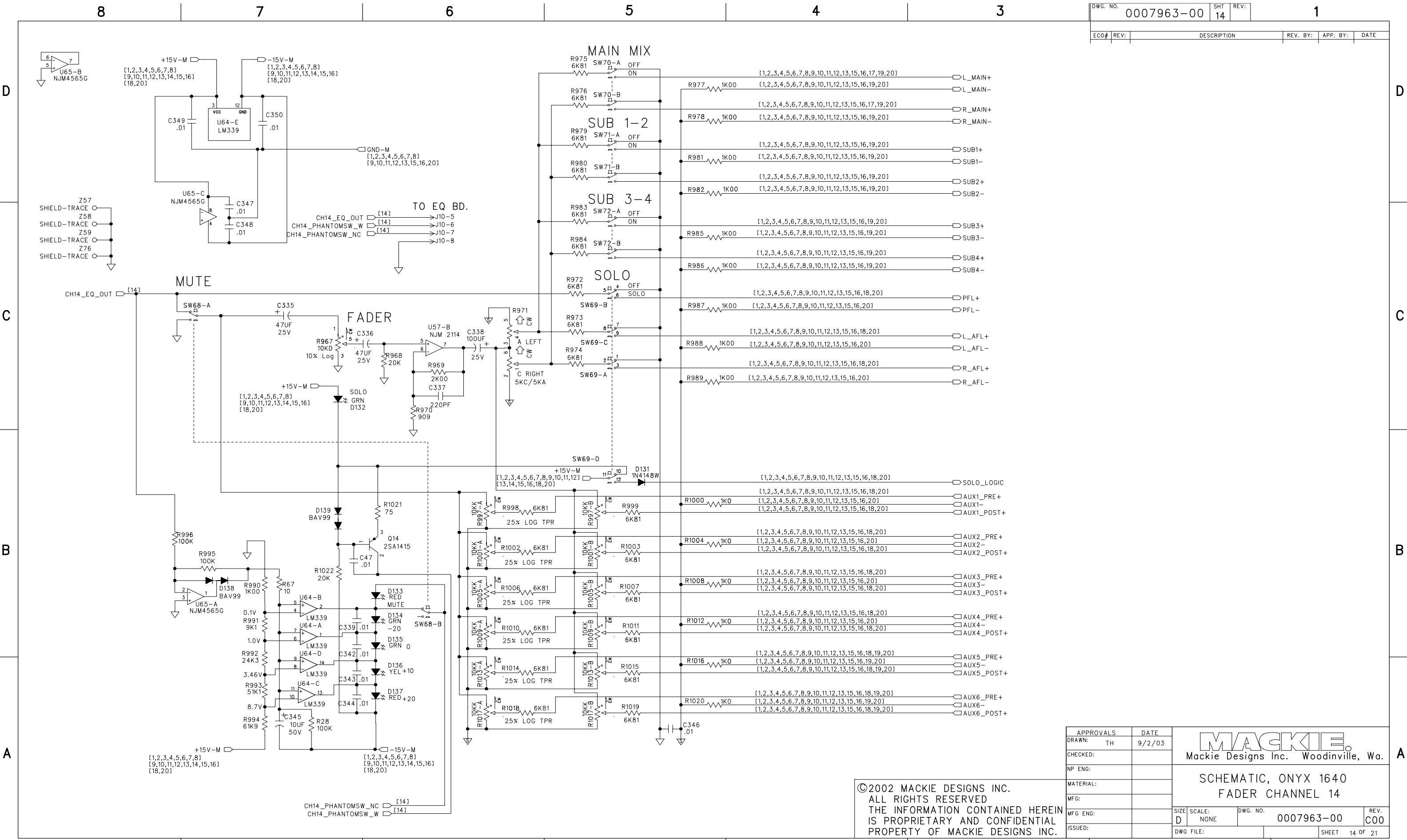
APPROVALS	DATE
DRAWN: TH	9/2/03
CHECKED:	
NP ENG:	
MATERIAL:	
MFG:	
MFG ENG:	
ISSUED:	

MACKIE
Mackie Designs Inc. Woodinville, Wa.

**SCHEMATIC, ONYX 1640
FADER CHANNEL 13**

SIZE: D	SCALE: NONE	DWG. NO. 0007963-00	REV. C00
DWG FILE:		SHEET 13 OF 21	

©2002 MACKIE DESIGNS INC.
ALL RIGHTS RESERVED
THE INFORMATION CONTAINED HEREIN
IS PROPRIETARY AND CONFIDENTIAL
PROPERTY OF MACKIE DESIGNS INC.



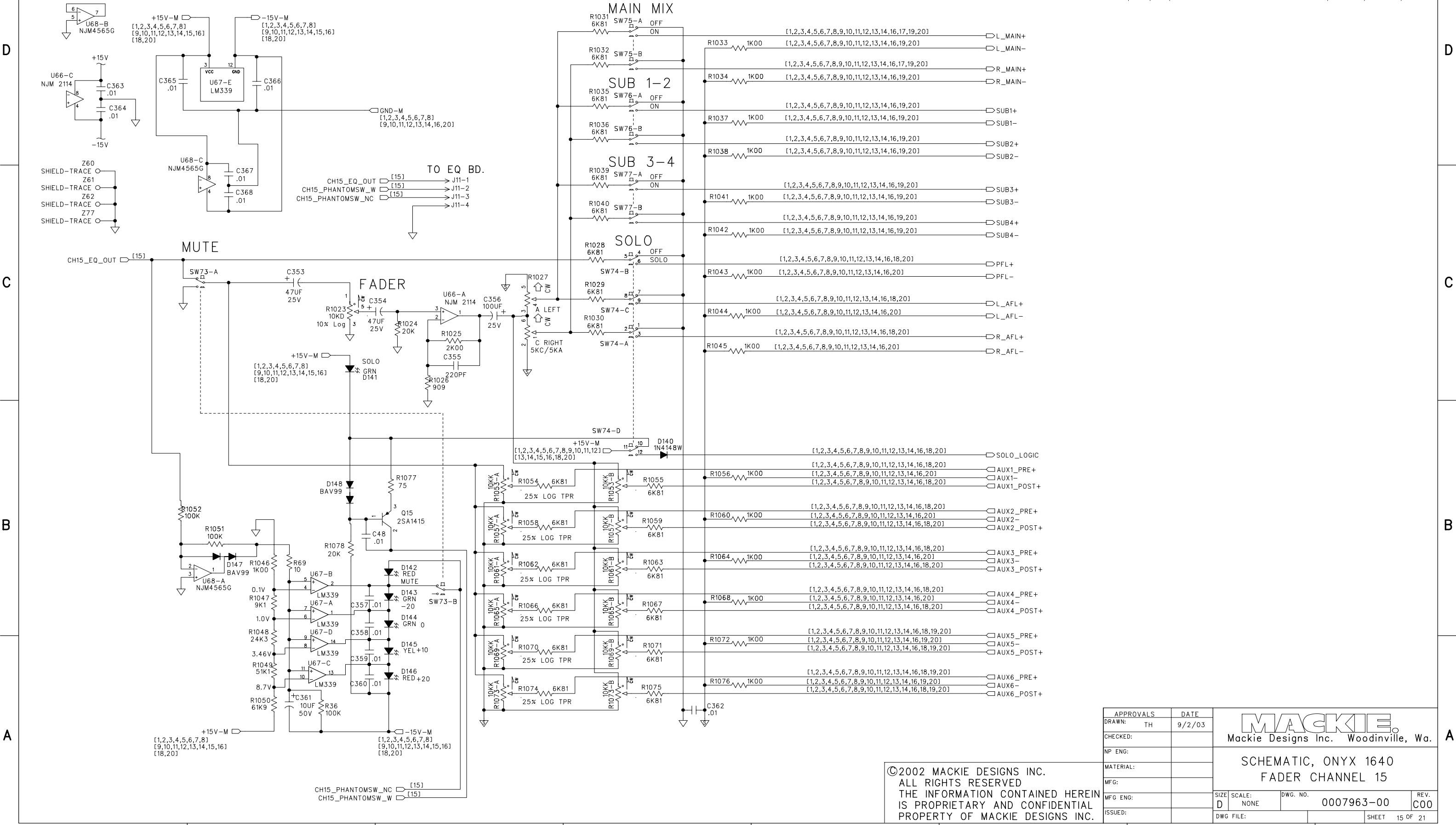
APPROVALS		DATE
DRAWN:	TH	9/2/03
CHECKED:		
NP ENG:		
MATERIAL:		
MFG:		
MFG ENG:		
ISSUED:		

**SCHEMATIC, ONYX 1640
FADER CHANNEL 14**

SIZE: D	SCALE: NONE	DWG. NO. 0007963-00	REV. C00
DWG FILE:		SHEET 14 OF 21	

©2002 MACKIE DESIGNS INC.
 ALL RIGHTS RESERVED
 THE INFORMATION CONTAINED HEREIN
 IS PROPRIETARY AND CONFIDENTIAL
 PROPERTY OF MACKIE DESIGNS INC.

ECO#	REV:	DESCRIPTION	REV. BY:	APP. BY:	DATE



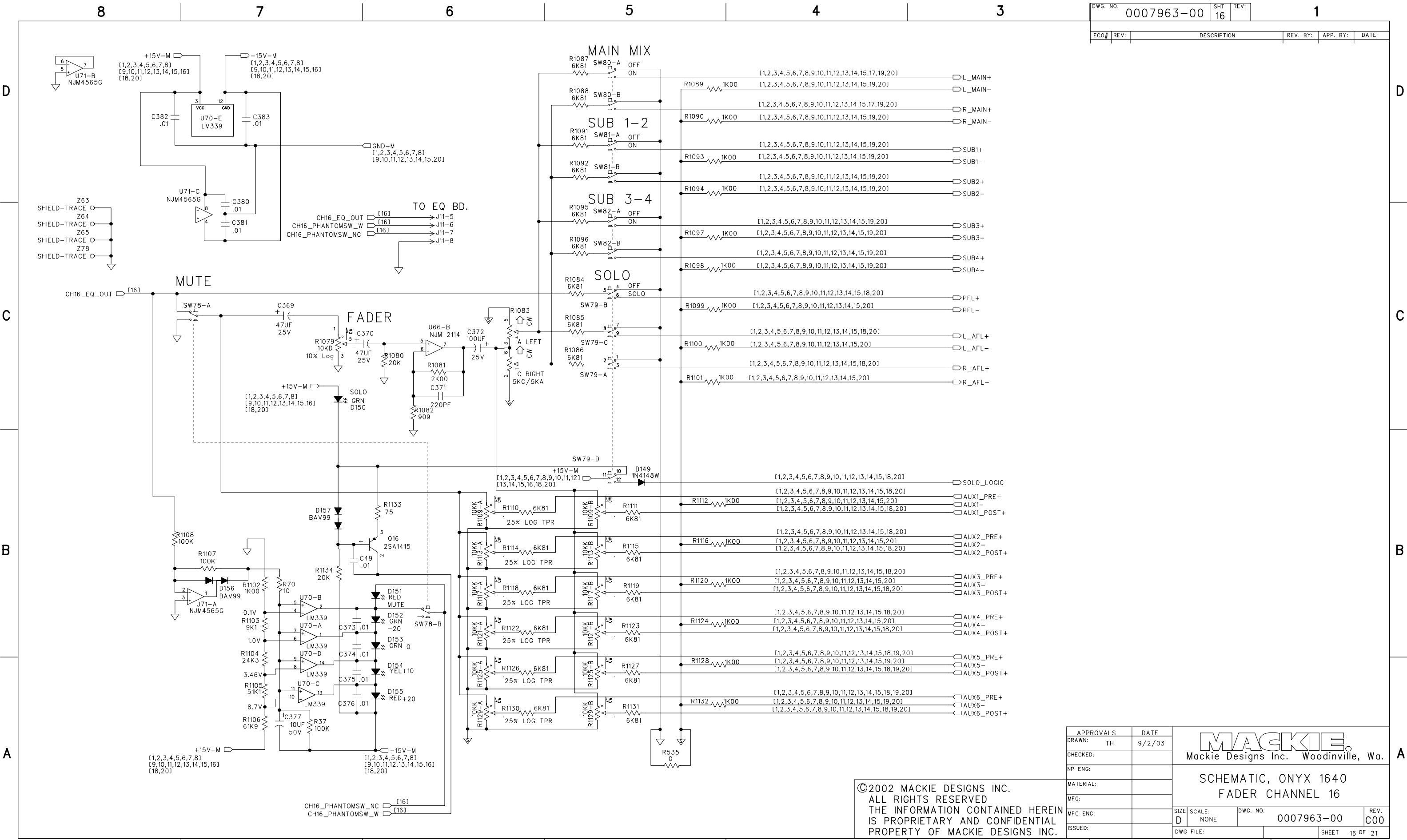
APPROVALS	DATE
DRAWN: TH	9/2/03
CHECKED:	
NP ENG:	
MATERIAL:	
MFG:	
MFG ENG:	
ISSUED:	

MACKIE
Mackie Designs Inc. Woodinville, Wa.

SCHEMATIC, ONYX 1640
FADER CHANNEL 15

SIZE: D	SCALE: NONE	DWG. NO. 0007963-00	REV. C00
DWG FILE:		SHEET 15 OF 21	

©2002 MACKIE DESIGNS INC.
ALL RIGHTS RESERVED
THE INFORMATION CONTAINED HEREIN
IS PROPRIETARY AND CONFIDENTIAL
PROPERTY OF MACKIE DESIGNS INC.



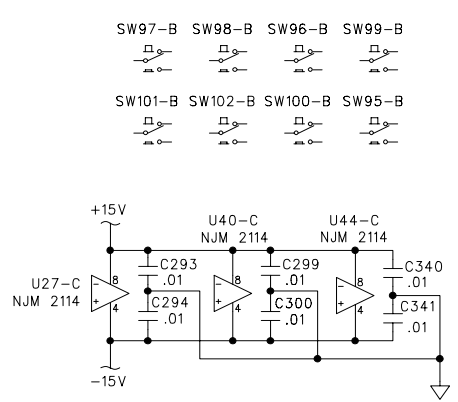
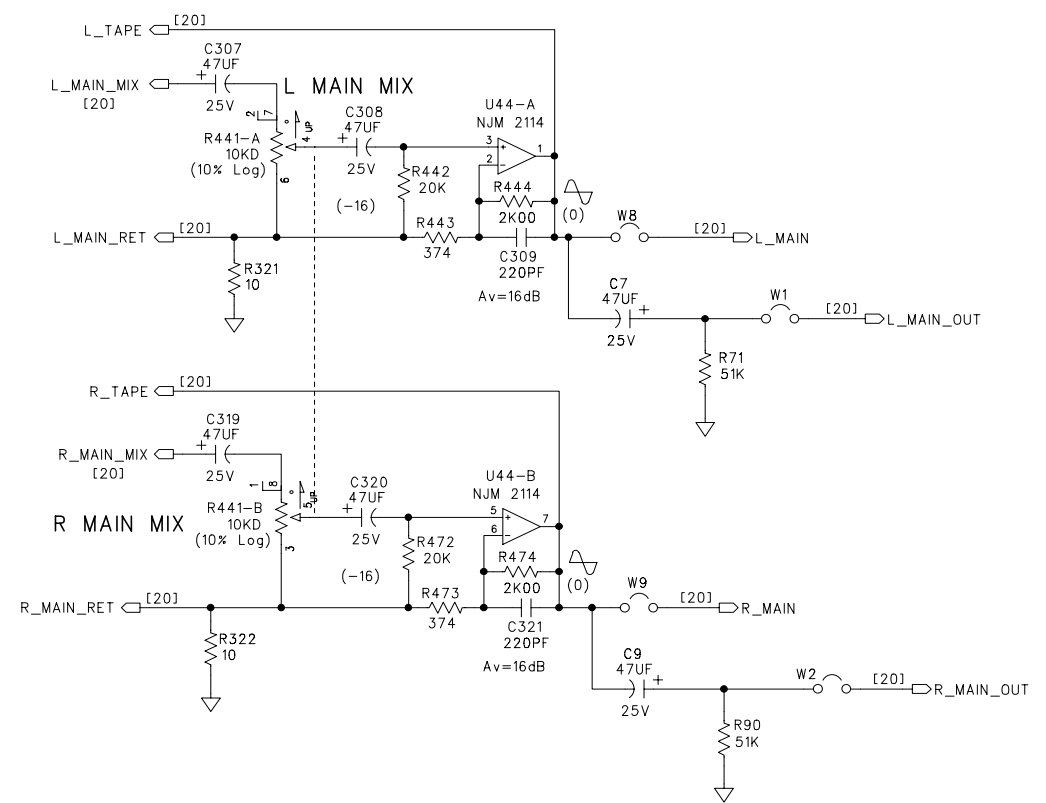
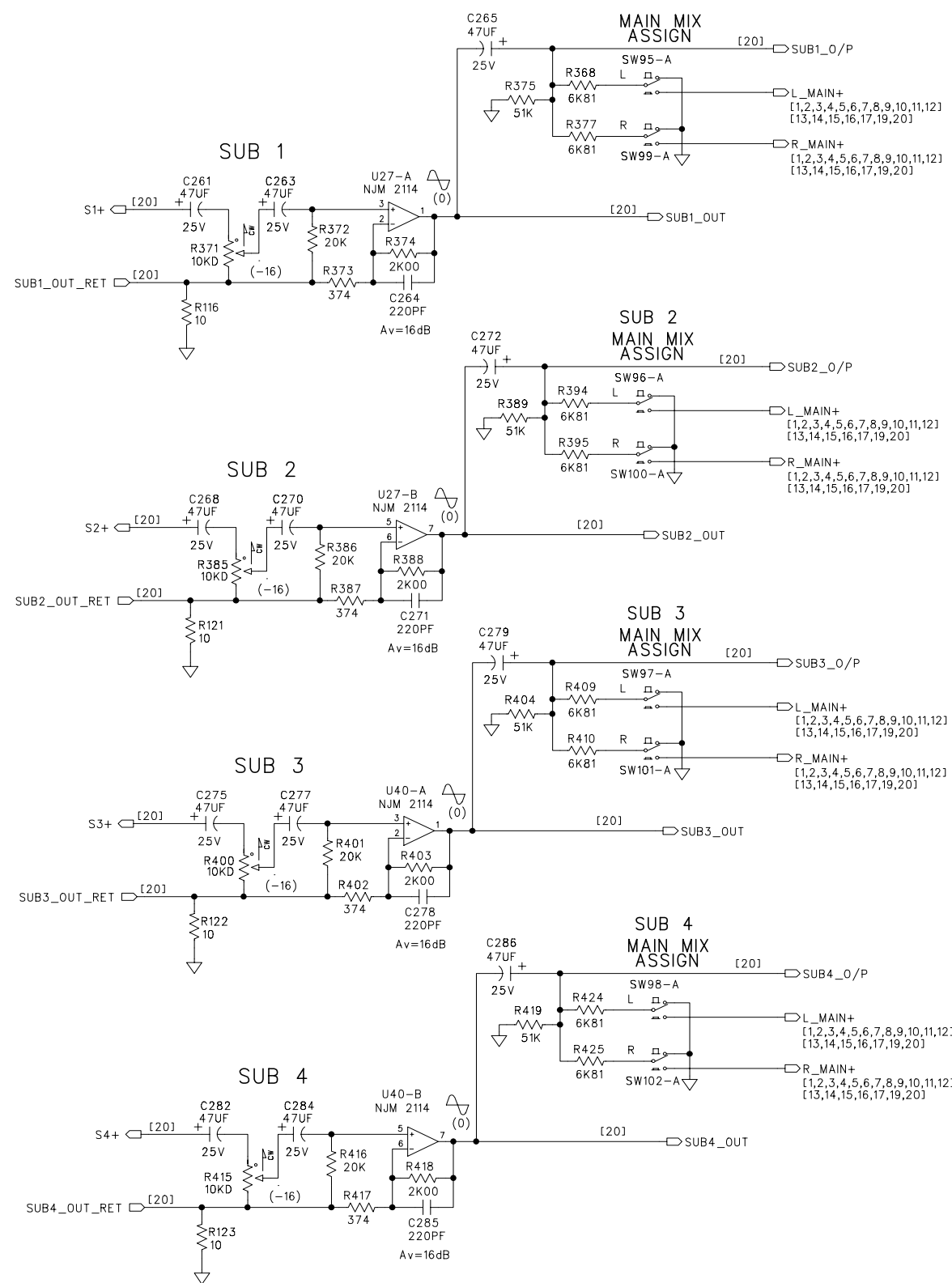
APPROVALS		DATE
DRAWN:	TH	9/2/03
CHECKED:		
NP ENG:		
MATERIAL:		
MFG:		
MFG ENG:		
ISSUED:		

MACKIE
 Mackie Designs Inc. Woodinville, Wa.

SCHEMATIC, ONYX 1640
FADER CHANNEL 16

SIZE: D	SCALE: NONE	DWG. NO. 0007963-00	REV. C00
DWG FILE:		SHEET 16 OF 21	

©2002 MACKIE DESIGNS INC.
 ALL RIGHTS RESERVED
 THE INFORMATION CONTAINED HEREIN
 IS PROPRIETARY AND CONFIDENTIAL
 PROPERTY OF MACKIE DESIGNS INC.



APPROVALS	DATE
DRAWN: TH	9/2/03
CHECKED:	
NP ENG:	
MATERIAL:	
MFG:	
MFG ENG:	
ISSUED:	

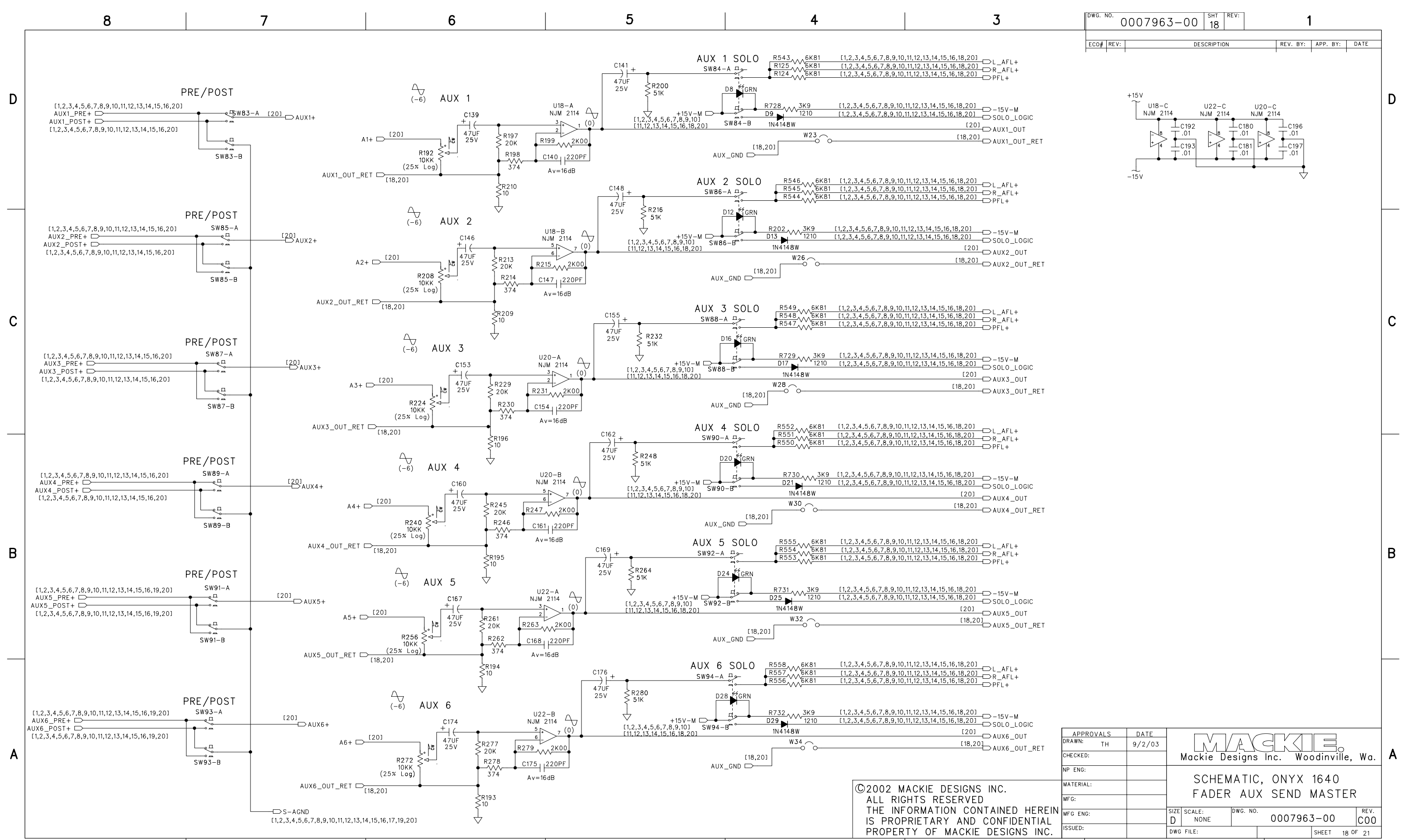
MACKIE
 Mackie Designs Inc. Woodinville, Wa.

SCHEMATIC, ONYX 1640
 FADER SUBS AND MAINS

SIZE: D	SCALE: NONE	DWG. NO. 0007963-00	REV. C00
DWG FILE:		SHEET 17 OF 21	

©2002 MACKIE DESIGNS INC.
 ALL RIGHTS RESERVED
 THE INFORMATION CONTAINED HEREIN
 IS PROPRIETARY AND CONFIDENTIAL
 PROPERTY OF MACKIE DESIGNS INC.

ECO#	REV:	DESCRIPTION	REV. BY:	APP. BY:	DATE
------	------	-------------	----------	----------	------



APPROVALS	DATE
DRAWN: TH	9/2/03
CHECKED:	
NP ENG:	
MATERIAL:	
MFG:	
MFG ENG:	
ISSUED:	

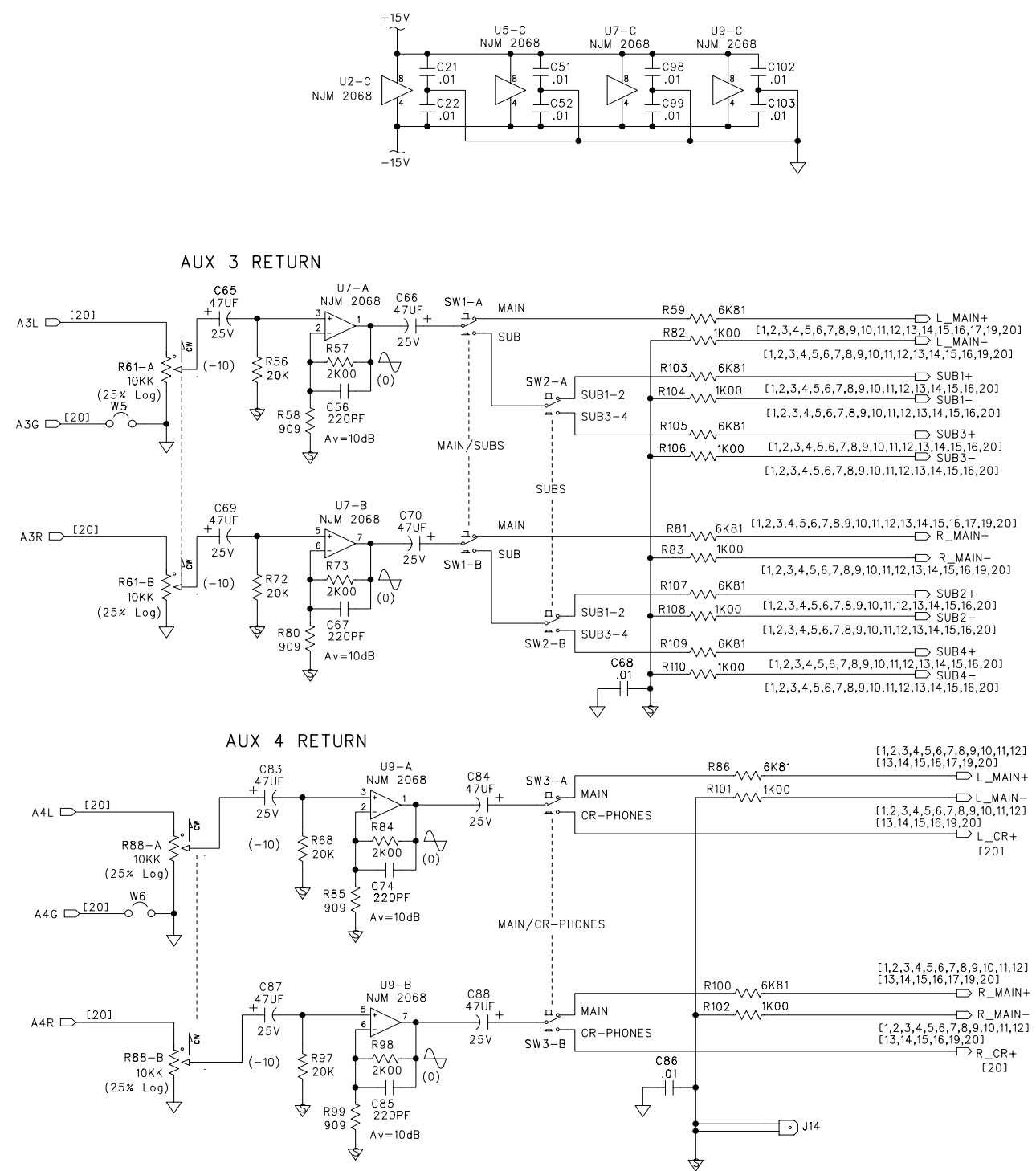
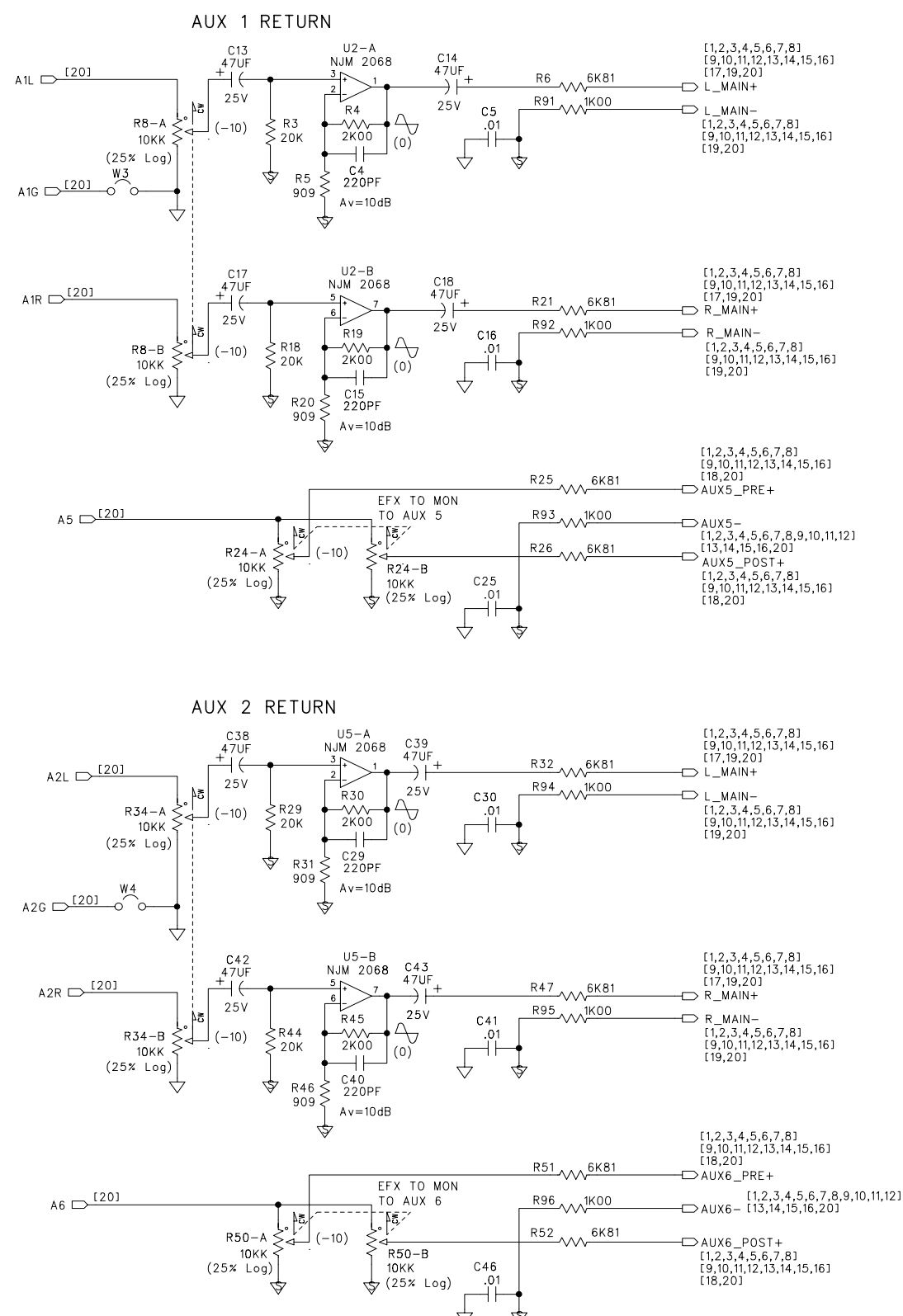
MACKIE
Mackie Designs Inc. Woodinville, Wa.

SCHEMATIC, ONYX 1640
FADER AUX SEND MASTER

SIZE: D	SCALE: NONE	DWG. NO. 0007963-00	REV. C00
DWG FILE:		SHEET 18 OF 21	

©2002 MACKIE DESIGNS INC.
ALL RIGHTS RESERVED
THE INFORMATION CONTAINED HEREIN
IS PROPRIETARY AND CONFIDENTIAL
PROPERTY OF MACKIE DESIGNS INC.

D
C
B
A



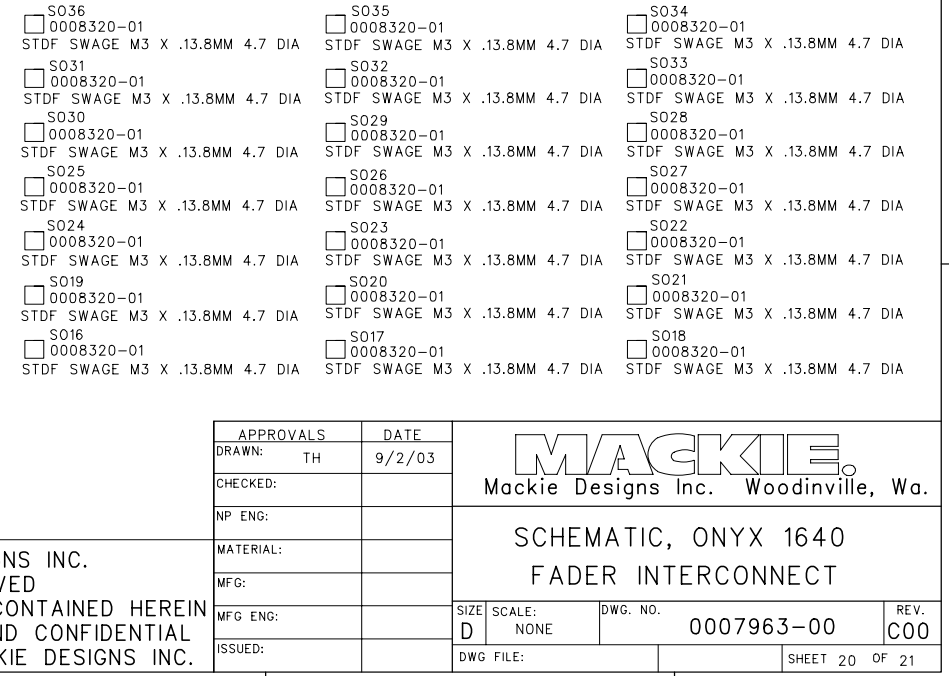
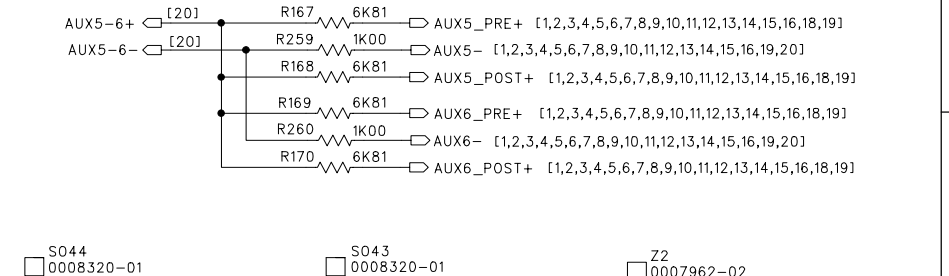
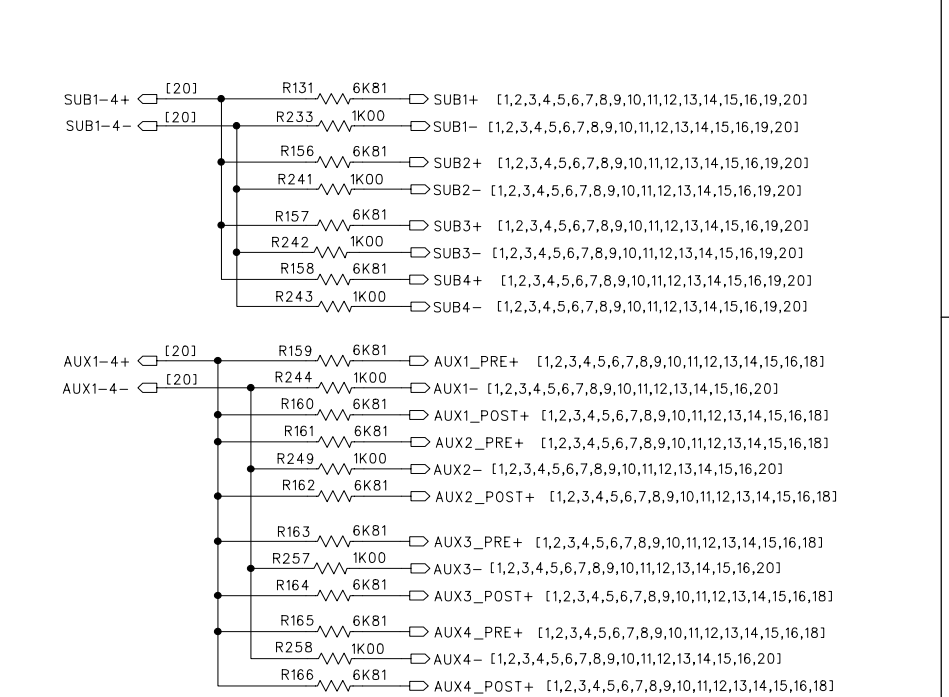
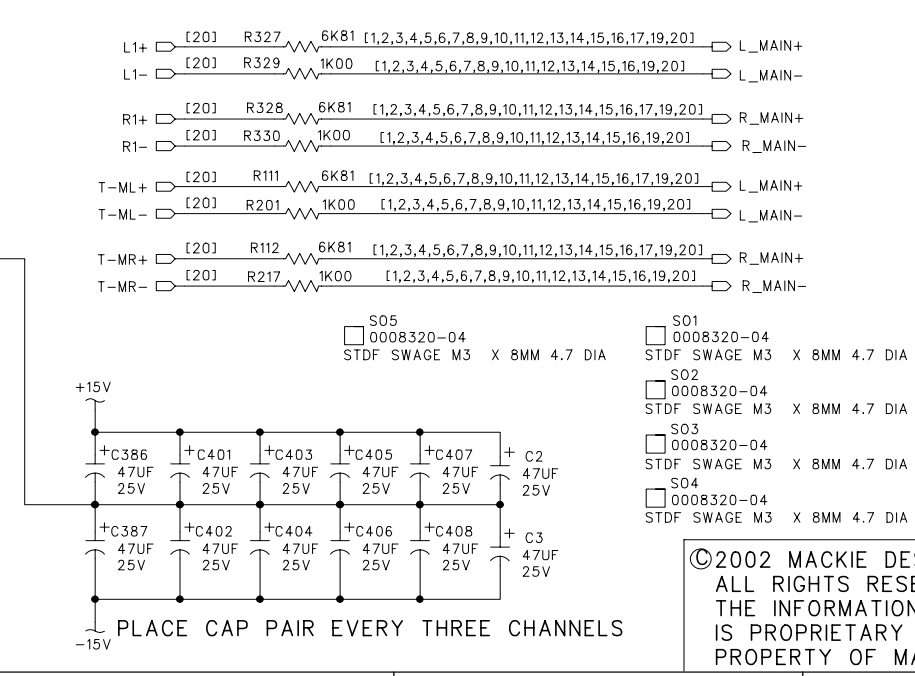
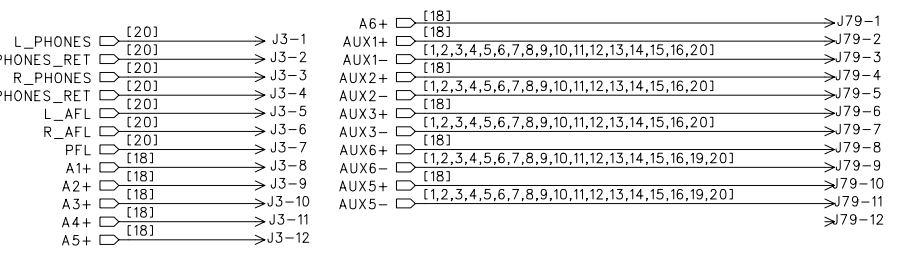
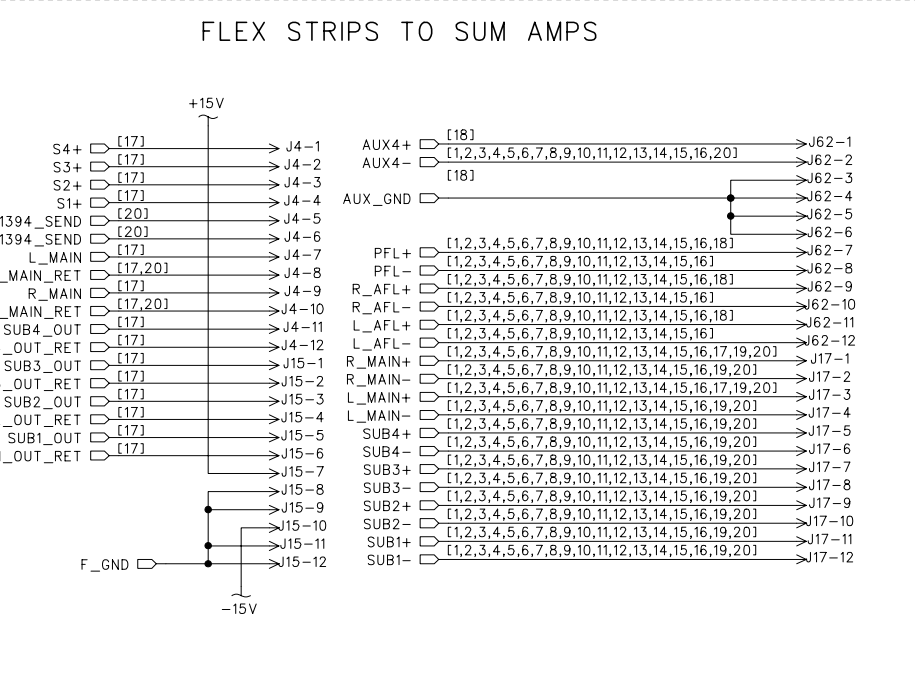
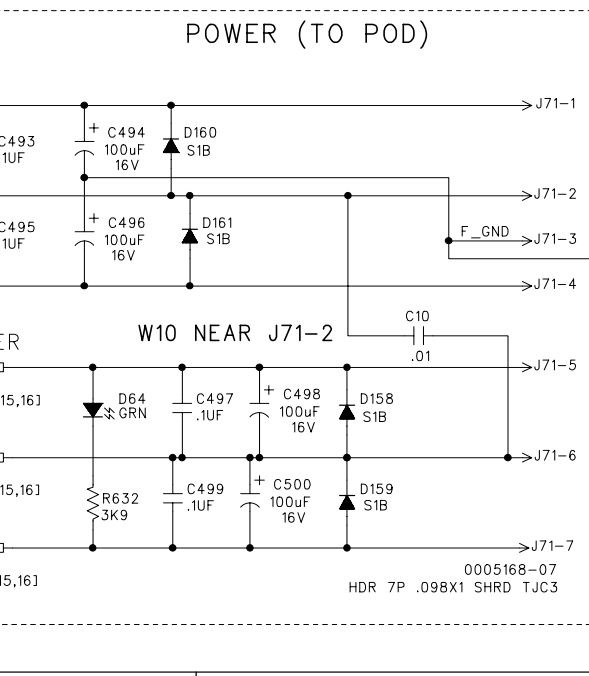
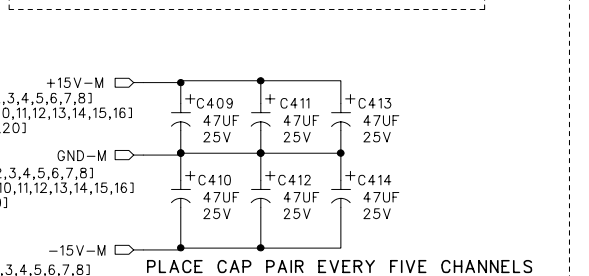
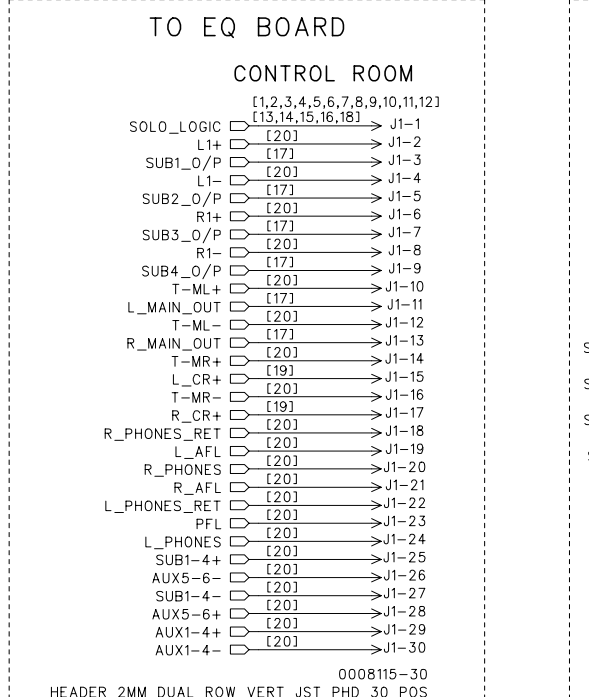
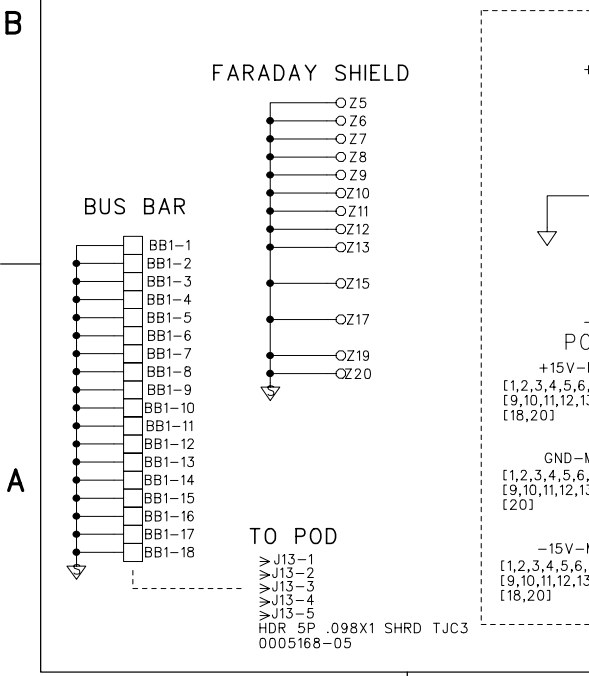
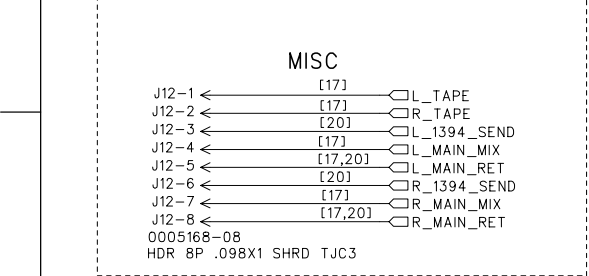
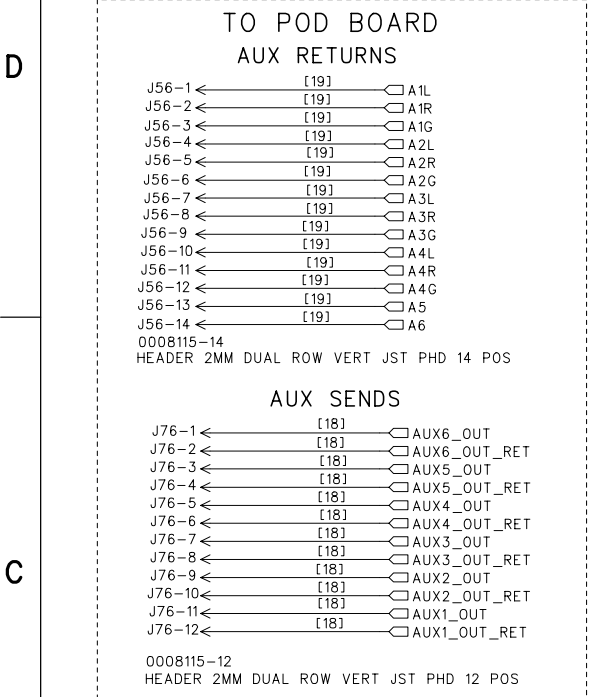
APPROVALS		DATE
DRAWN:	TH	9/2/03
CHECKED:		
NP ENG:		
MATERIAL:		
MFG:		
MFG ENG:		
ISSUED:		

MACKIE
 Mackie Designs Inc. Woodinville, Wa.

SCHEMATIC, ONYX 1640
 FADER AUX RETURNS MASTER

SIZE	SCALE	DWG. NO.	REV.
D	NONE	0007963-00	C00
DWG FILE:		SHEET 19 OF 21	

©2002 MACKIE DESIGNS INC.
 ALL RIGHTS RESERVED
 THE INFORMATION CONTAINED HEREIN
 IS PROPRIETARY AND CONFIDENTIAL
 PROPERTY OF MACKIE DESIGNS INC.



APPROVALS		DATE
DRAWN:	TH	9/2/03
CHECKED:		
NP ENG:		
MATERIAL:		
MFG:		
MFG ENG:		
ISSUED:		

MACKIE
 Mackie Designs Inc. Woodinville, Wa.

**SCHEMATIC, ONYX 1640
 FADER INTERCONNECT**

SIZE	SCALE:	DWG. NO.	REV.
D	NONE	0007963-00	C00
DWG FILE:			SHEET 20 OF 21

©2002 MACKIE DESIGNS INC.
 ALL RIGHTS RESERVED
 THE INFORMATION CONTAINED HEREIN
 IS PROPRIETARY AND CONFIDENTIAL
 PROPERTY OF MACKIE DESIGNS INC.

D

D

C

C

B

B

A

A

BT1 SM RECTANGLE BUTTON 5X7mm CONTROL GREY 0008793-03
 BT2 SM RECTANGLE BUTTON 5X7mm CONTROL GREY 0008793-03
 BT3 SM RECTANGLE BUTTON 5X7mm CONTROL GREY 0008793-03
 BT6 SM RECTANGLE BUTTON 5X7mm CONTROL GREY 0008793-03
 BT10 SM RECTANGLE BUTTON 5X7mm CONTROL GREY 0008793-03
 BT7 SM RECTANGLE BUTTON 5X7mm CONTROL GREY 0008793-03
 BT8 SM RECTANGLE BUTTON 5X7mm CONTROL GREY 0008793-03
 BT11 SM RECTANGLE BUTTON 5X7mm CONTROL GREY 0008793-03
 BT12 SM RECTANGLE BUTTON 5X7mm CONTROL GREY 0008793-03
 BT102 SM RECTANGLE BUTTON 5X7mm CONTROL GREY 0008793-03
 BT13 SM RECTANGLE BUTTON 5X7mm CONTROL GREY 0008793-03
 BT16 SM RECTANGLE BUTTON 5X7mm CONTROL GREY 0008793-03
 BT17 SM RECTANGLE BUTTON 5X7mm CONTROL GREY 0008793-03
 BT19 SM RECTANGLE BUTTON 5X7mm CONTROL GREY 0008793-03
 BT20 SM RECTANGLE BUTTON 5X7mm CONTROL GREY 0008793-03
 BT21 SM RECTANGLE BUTTON 5X7mm CONTROL GREY 0008793-03
 BT22 SM RECTANGLE BUTTON 5X7mm CONTROL GREY 0008793-03
 BT25 SM RECTANGLE BUTTON 5X7mm CONTROL GREY 0008793-03
 BT26 SM RECTANGLE BUTTON 5X7mm CONTROL GREY 0008793-03
 BT27 SM RECTANGLE BUTTON 5X7mm CONTROL GREY 0008793-03
 BT30 SM RECTANGLE BUTTON 5X7mm CONTROL GREY 0008793-03
 BT31 SM RECTANGLE BUTTON 5X7mm CONTROL GREY 0008793-03
 BT32 SM RECTANGLE BUTTON 5X7mm CONTROL GREY 0008793-03
 BT35 SM RECTANGLE BUTTON 5X7mm CONTROL GREY 0008793-03
 BT36 SM RECTANGLE BUTTON 5X7mm CONTROL GREY 0008793-03
 BT37 SM RECTANGLE BUTTON 5X7mm CONTROL GREY 0008793-03
 BT40 SM RECTANGLE BUTTON 5X7mm CONTROL GREY 0008793-03
 BT41 SM RECTANGLE BUTTON 5X7mm CONTROL GREY 0008793-03
 BT42 SM RECTANGLE BUTTON 5X7mm CONTROL GREY 0008793-03
 BT45 SM RECTANGLE BUTTON 5X7mm CONTROL GREY 0008793-03
 BT46 SM RECTANGLE BUTTON 5X7mm CONTROL GREY 0008793-03
 BT47 SM RECTANGLE BUTTON 5X7mm CONTROL GREY 0008793-03
 BT50 SM RECTANGLE BUTTON 5X7mm CONTROL GREY 0008793-03
 BT51 SM RECTANGLE BUTTON 5X7mm CONTROL GREY 0008793-03
 BT52 SM RECTANGLE BUTTON 5X7mm CONTROL GREY 0008793-03
 BT55 SM RECTANGLE BUTTON 5X7mm CONTROL GREY 0008793-03
 BT56 SM RECTANGLE BUTTON 5X7mm CONTROL GREY 0008793-03
 BT57 SM RECTANGLE BUTTON 5X7mm CONTROL GREY 0008793-03
 BT60 SM RECTANGLE BUTTON 5X7mm CONTROL GREY 0008793-03
 BT61 SM RECTANGLE BUTTON 5X7mm CONTROL GREY 0008793-03
 BT62 SM RECTANGLE BUTTON 5X7mm CONTROL GREY 0008793-03
 BT65 SM RECTANGLE BUTTON 5X7mm CONTROL GREY 0008793-03
 BT66 SM RECTANGLE BUTTON 5X7mm CONTROL GREY 0008793-03
 BT67 SM RECTANGLE BUTTON 5X7mm CONTROL GREY 0008793-03
 BT70 SM RECTANGLE BUTTON 5X7mm CONTROL GREY 0008793-03


BT71 SM RECTANGLE BUTTON 5X7mm CONTROL GREY 0008793-03
 BT72 SM RECTANGLE BUTTON 5X7mm CONTROL GREY 0008793-03
 BT75 SM RECTANGLE BUTTON 5X7mm CONTROL GREY 0008793-03
 BT76 SM RECTANGLE BUTTON 5X7mm CONTROL GREY 0008793-03
 BT77 SM RECTANGLE BUTTON 5X7mm CONTROL GREY 0008793-03
 BT80 SM RECTANGLE BUTTON 5X7mm CONTROL GREY 0008793-03
 BT81 SM RECTANGLE BUTTON 5X7mm CONTROL GREY 0008793-03
 BT82 SM RECTANGLE BUTTON 5X7mm CONTROL GREY 0008793-03
 BT84 SM RECTANGLE BUTTON 5X7mm CONTROL GREY 0008793-03
 BT86 SM RECTANGLE BUTTON 5X7mm CONTROL GREY 0008793-03
 BT88 SM RECTANGLE BUTTON 5X7mm CONTROL GREY 0008793-03
 BT90 SM RECTANGLE BUTTON 5X7mm CONTROL GREY 0008793-03
 BT92 SM RECTANGLE BUTTON 5X7mm CONTROL GREY 0008793-03
 BT94 SM RECTANGLE BUTTON 5X7mm CONTROL GREY 0008793-03
 BT95 SM RECTANGLE BUTTON 5X7mm CONTROL GREY 0008793-03
 BT96 SM RECTANGLE BUTTON 5X7mm CONTROL GREY 0008793-03
 BT97 SM RECTANGLE BUTTON 5X7mm CONTROL GREY 0008793-03
 BT98 SM RECTANGLE BUTTON 5X7mm CONTROL GREY 0008793-03
 BT99 SM RECTANGLE BUTTON 5X7mm CONTROL GREY 0008793-03
 BT100 SM RECTANGLE BUTTON 5X7mm CONTROL GREY 0008793-03

BT93 SM RECTANGLE BUTTON 5X7mm GREY 600 0008793-00
 BT91 SM RECTANGLE BUTTON 5X7mm GREY 600 0008793-00
 BT89 SM RECTANGLE BUTTON 5X7mm GREY 600 0008793-00
 BT87 SM RECTANGLE BUTTON 5X7mm GREY 600 0008793-00
 BT85 SM RECTANGLE BUTTON 5X7mm GREY 600 0008793-00
 BT83 SM RECTANGLE BUTTON 5X7mm GREY 600 0008793-00

BT18 MED RECTANGLE BUTTON 11.5 x 8.5 mm "MUTE" CONTROL GREY 0008794-06
 BT4 MED RECTANGLE BUTTON 11.5 x 8.5 mm "MUTE" CONTROL GREY 0008794-06
 BT9 MED RECTANGLE BUTTON 11.5 x 8.5 mm "MUTE" CONTROL GREY 0008794-06
 BT14 MED RECTANGLE BUTTON 11.5 x 8.5 mm "MUTE" CONTROL GREY 0008794-06
 BT23 MED RECTANGLE BUTTON 11.5 x 8.5 mm "MUTE" CONTROL GREY 0008794-06
 BT28 MED RECTANGLE BUTTON 11.5 x 8.5 mm "MUTE" CONTROL GREY 0008794-06
 BT33 MED RECTANGLE BUTTON 11.5 x 8.5 mm "MUTE" CONTROL GREY 0008794-06
 BT38 MED RECTANGLE BUTTON 11.5 x 8.5 mm "MUTE" CONTROL GREY 0008794-06
 BT43 MED RECTANGLE BUTTON 11.5 x 8.5 mm "MUTE" CONTROL GREY 0008794-06
 BT48 MED RECTANGLE BUTTON 11.5 x 8.5 mm "MUTE" CONTROL GREY 0008794-06
 BT53 MED RECTANGLE BUTTON 11.5 x 8.5 mm "MUTE" CONTROL GREY 0008794-06
 BT58 MED RECTANGLE BUTTON 11.5 x 8.5 mm "MUTE" CONTROL GREY 0008794-06
 BT63 MED RECTANGLE BUTTON 11.5 x 8.5 mm "MUTE" CONTROL GREY 0008794-06
 BT68 MED RECTANGLE BUTTON 11.5 x 8.5 mm "MUTE" CONTROL GREY 0008794-06
 BT73 MED RECTANGLE BUTTON 11.5 x 8.5 mm "MUTE" CONTROL GREY 0008794-06
 BT78 MED RECTANGLE BUTTON 11.5 x 8.5 mm "MUTE" CONTROL GREY 0008794-06

BT107 MED RECTANGLE BUTTON 11.5 x 8.5 mm "SOLO" CONTROL GREY 0008794-05
 BT5 MED RECTANGLE BUTTON 11.5 x 8.5 mm "SOLO" CONTROL GREY 0008794-05
 BT10 MED RECTANGLE BUTTON 11.5 x 8.5 mm "SOLO" CONTROL GREY 0008794-05
 BT15 MED RECTANGLE BUTTON 11.5 x 8.5 mm "SOLO" CONTROL GREY 0008794-05
 BT24 MED RECTANGLE BUTTON 11.5 x 8.5 mm "SOLO" CONTROL GREY 0008794-05
 BT29 MED RECTANGLE BUTTON 11.5 x 8.5 mm "SOLO" CONTROL GREY 0008794-05
 BT34 MED RECTANGLE BUTTON 11.5 x 8.5 mm "SOLO" CONTROL GREY 0008794-05
 BT39 MED RECTANGLE BUTTON 11.5 x 8.5 mm "SOLO" CONTROL GREY 0008794-05
 BT44 MED RECTANGLE BUTTON 11.5 x 8.5 mm "SOLO" CONTROL GREY 0008794-05
 BT49 MED RECTANGLE BUTTON 11.5 x 8.5 mm "SOLO" CONTROL GREY 0008794-05
 BT54 MED RECTANGLE BUTTON 11.5 x 8.5 mm "SOLO" CONTROL GREY 0008794-05
 BT59 MED RECTANGLE BUTTON 11.5 x 8.5 mm "SOLO" CONTROL GREY 0008794-05
 BT64 MED RECTANGLE BUTTON 11.5 x 8.5 mm "SOLO" CONTROL GREY 0008794-05
 BT69 MED RECTANGLE BUTTON 11.5 x 8.5 mm "SOLO" CONTROL GREY 0008794-05
 BT74 MED RECTANGLE BUTTON 11.5 x 8.5 mm "SOLO" CONTROL GREY 0008794-05
 BT79 MED RECTANGLE BUTTON 11.5 x 8.5 mm "SOLO" CONTROL GREY 0008794-05

©2003 MACKIE DESIGNS INC.
 ALL RIGHTS RESERVED
 THE INFORMATION CONTAINED HEREIN
 IS PROPRIETARY AND CONFIDENTIAL
 PROPERTY OF MACKIE DESIGNS INC.

APPROVALS		DATE				
DRAWN:	DB	03/18/04				
CHECKED:			SCHEMATIC, ONYX 1640 FADER BUTTONS			
NP ENG:						
MATERIAL:			SIZE	SCALE:	DWG. NO.	REV.
MFG:			D	NONE	0007963-00	C00
MFG ENG:			DWG FILE:			SHEET 21 OF 21
ISSUED:						

8

7

6

5

4

3

2

1