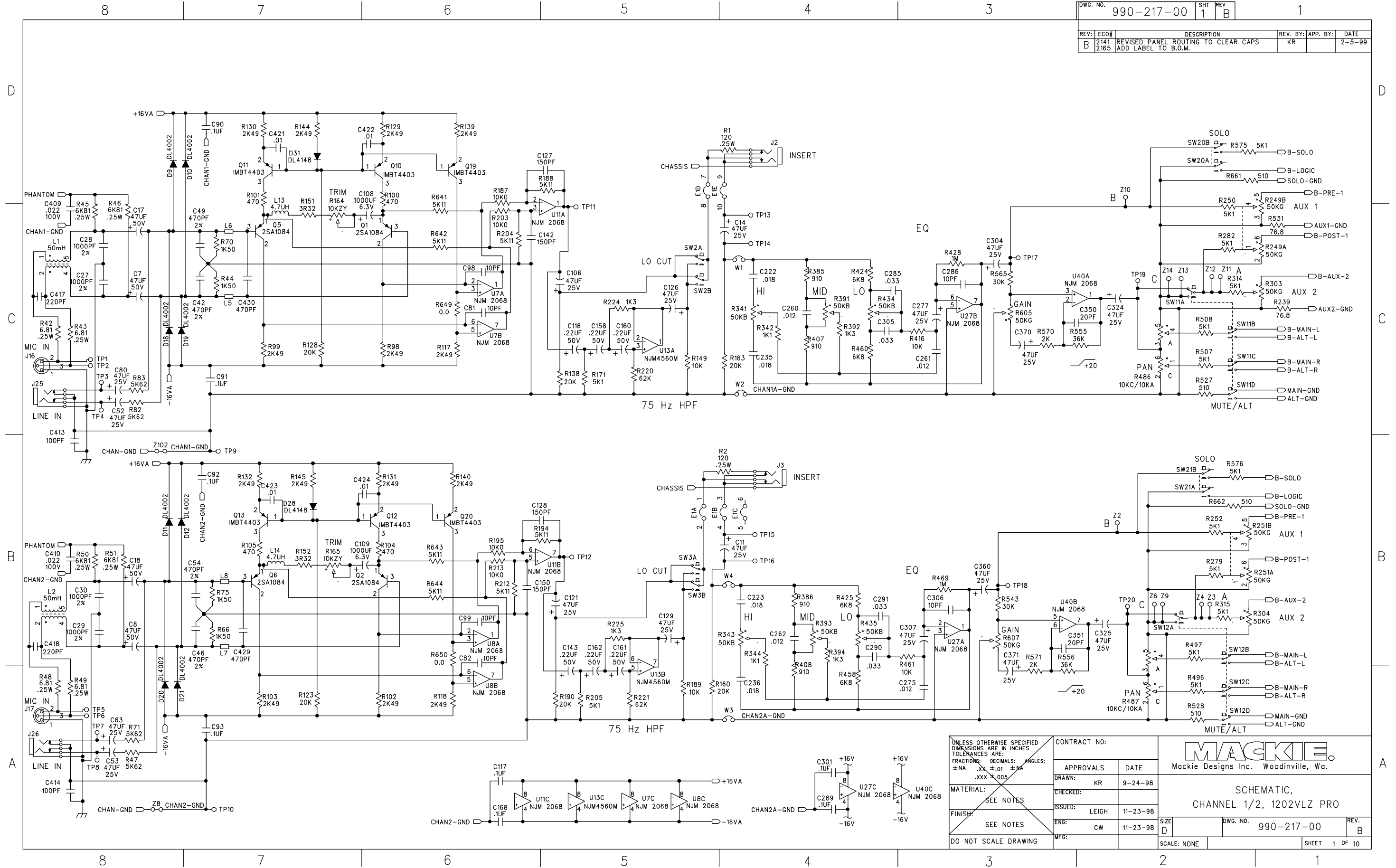
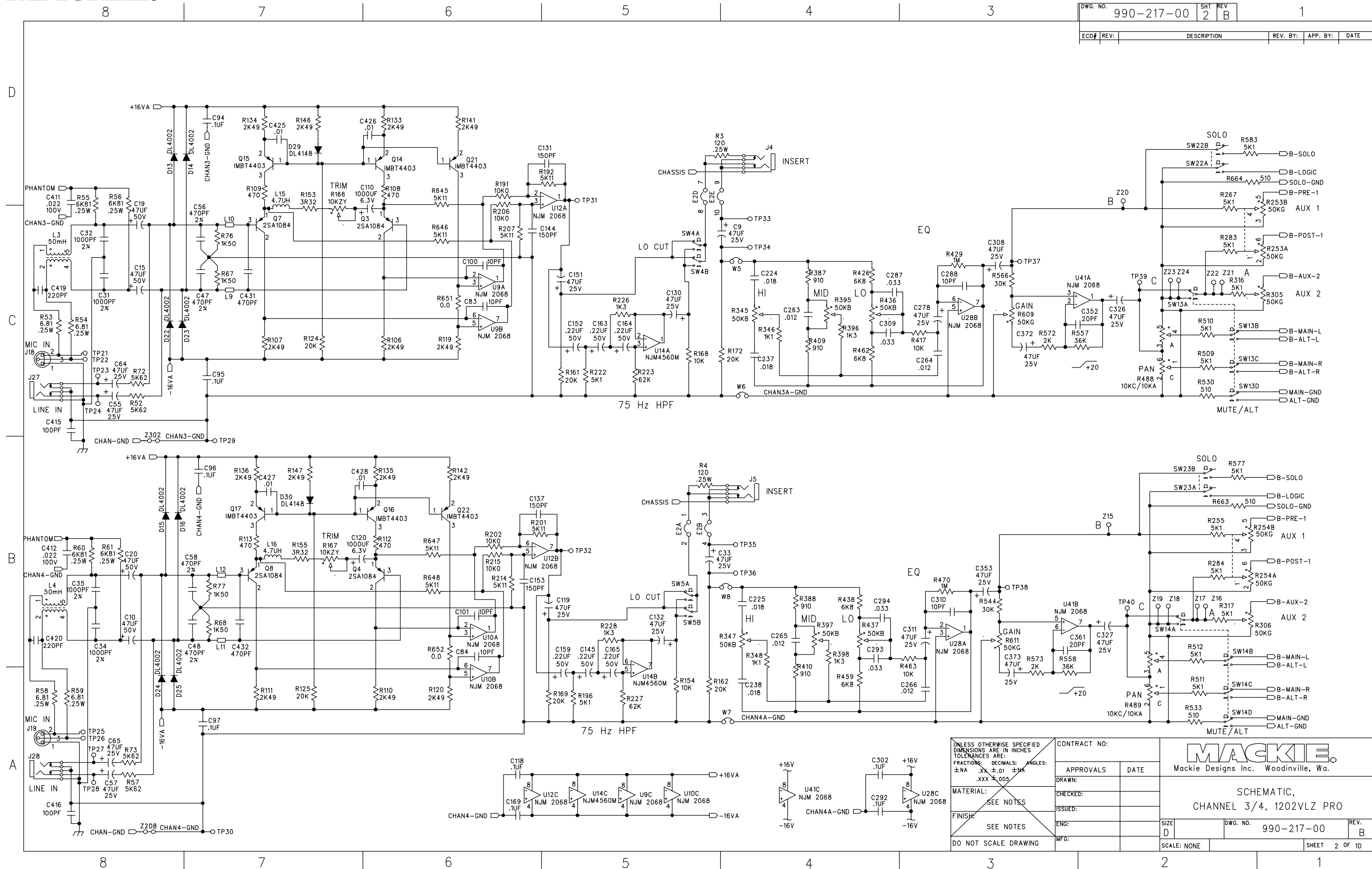


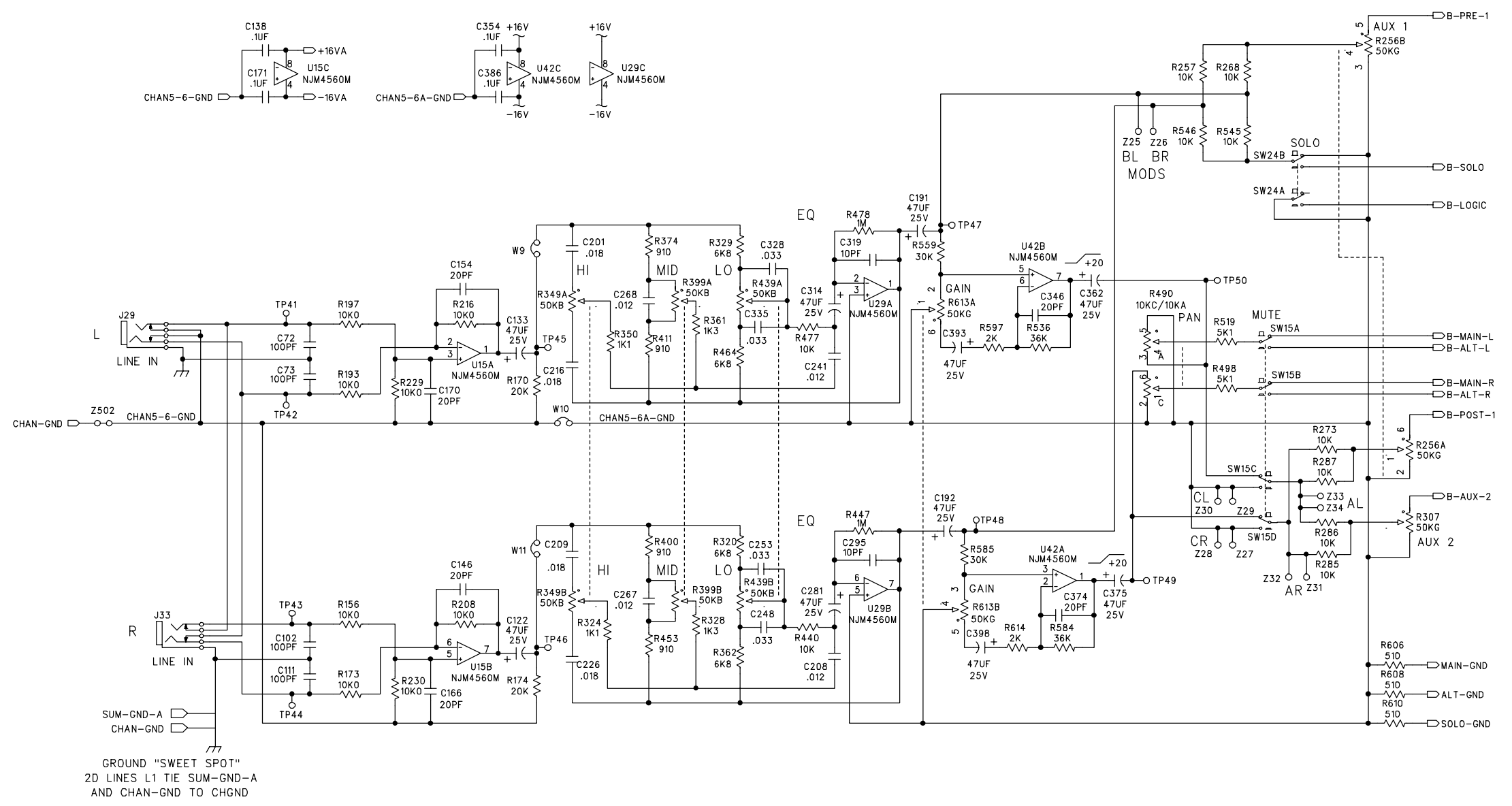
REV.	ECO#	DESCRIPTION	REV. BY:	APP. BY:	DATE
B	2141	REVISED PANEL ROUTING TO CLEAR CAPS	KR		2-5-99
	2165	ADD LABEL TO B.O.M.			



UNLESS OTHERWISE SPECIFIED DIMENSIONS ARE IN INCHES TOLERANCES ARE: FRACTIONS: DECIMALS: ANGLES: ±.NA .XX ±.01 ±.NA .XXX ±.005		CONTRACT NO:		 Mackie Designs Inc. Woodinville, Wa.	
MATERIAL: SEE NOTES		APPROVALS	DATE		
FINISH: SEE NOTES		CHECKED: KR	9-24-98		
DO NOT SCALE DRAWING		ISSUED: LEIGH	11-23-98		
		ENG: CW	11-23-98	SIZE D	DWG. NO. 990-217-00
		MFG:		SCALE: NONE	SHEET 1 OF 10

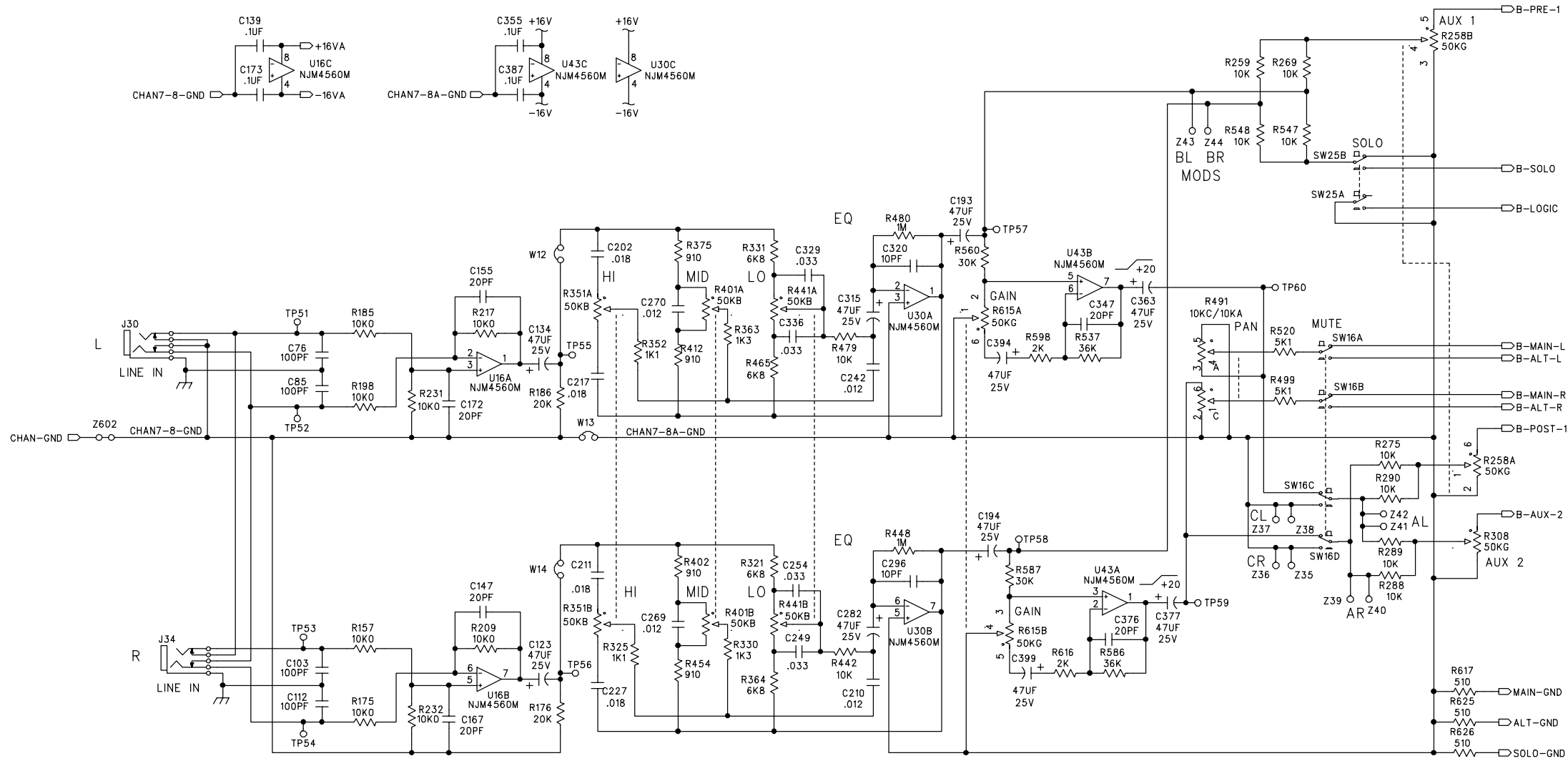


<p>UNLESS OTHERWISE SPECIFIED DIMENSIONS ARE IN INCHES TOLERANCES ARE:</p> <p>FRACTIONS: DECIMALS: ANGLES:</p> <p>±.NA .XX ±.01 ±NA .XXX ±.005</p> <p>MATERIAL: SEE NOTES</p> <p>FINISH: SEE NOTES</p> <p>DO NOT SCALE DRAWING</p>	CONTRACT NO:		<p>MACKIE</p> <p>Mackie Designs Inc. Woodinville, Wa.</p> <p>SCHEMATIC, CHANNEL 3/4, 1202VLZ PRO</p> <p>SIZE D DWG. NO. 990-217-00 REV. B</p> <p>SCALE: NONE SHEET 2 OF 10</p>		
	APPROVALS				DATE
	DRAWN:				CHECKED:
	ISSUED:				ENG:
MFG:					

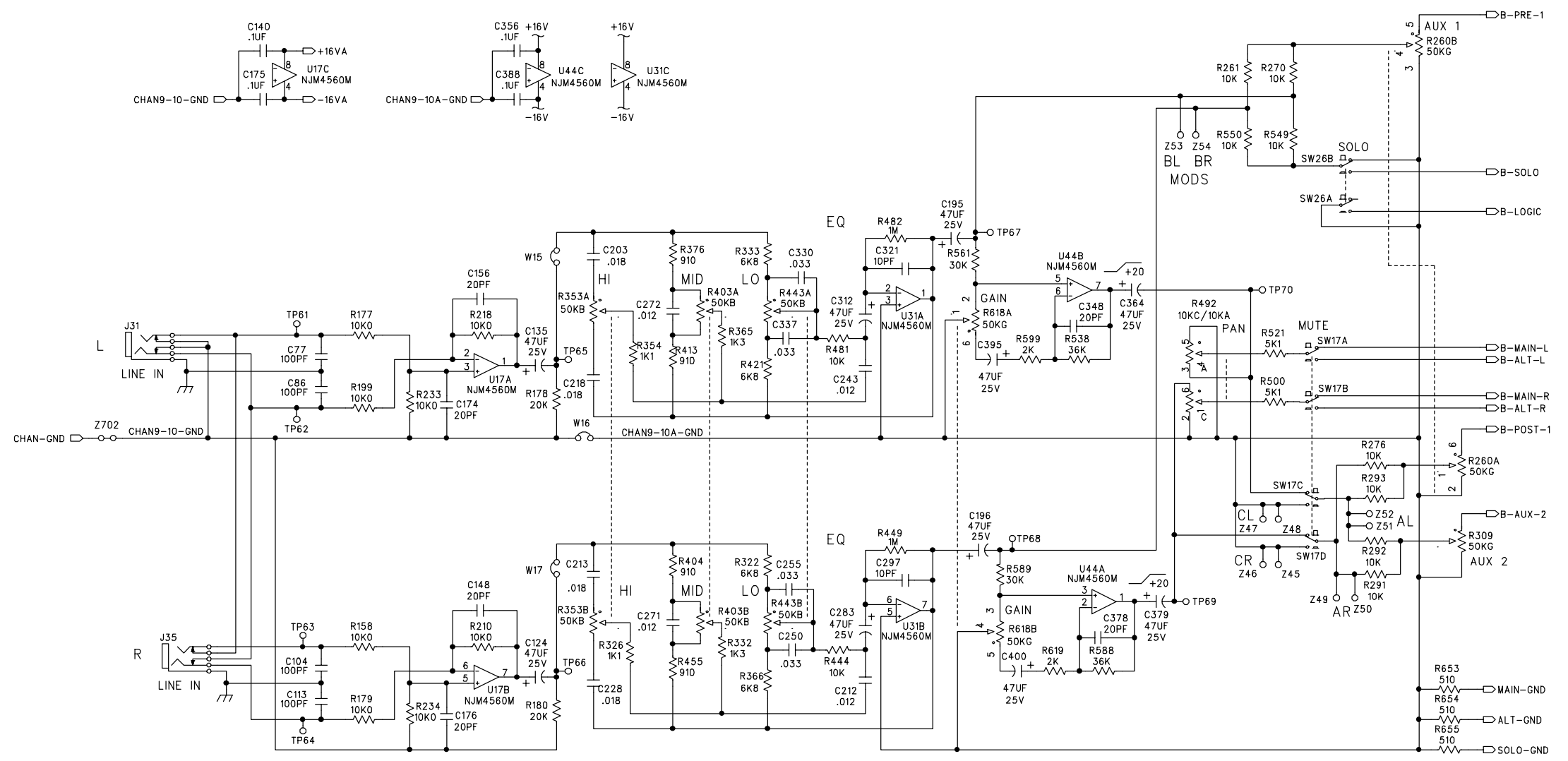


GROUND "SWEET SPOT"
2D LINES L1 TIE SUM-GND-A
AND CHAN-GND TO CHGND

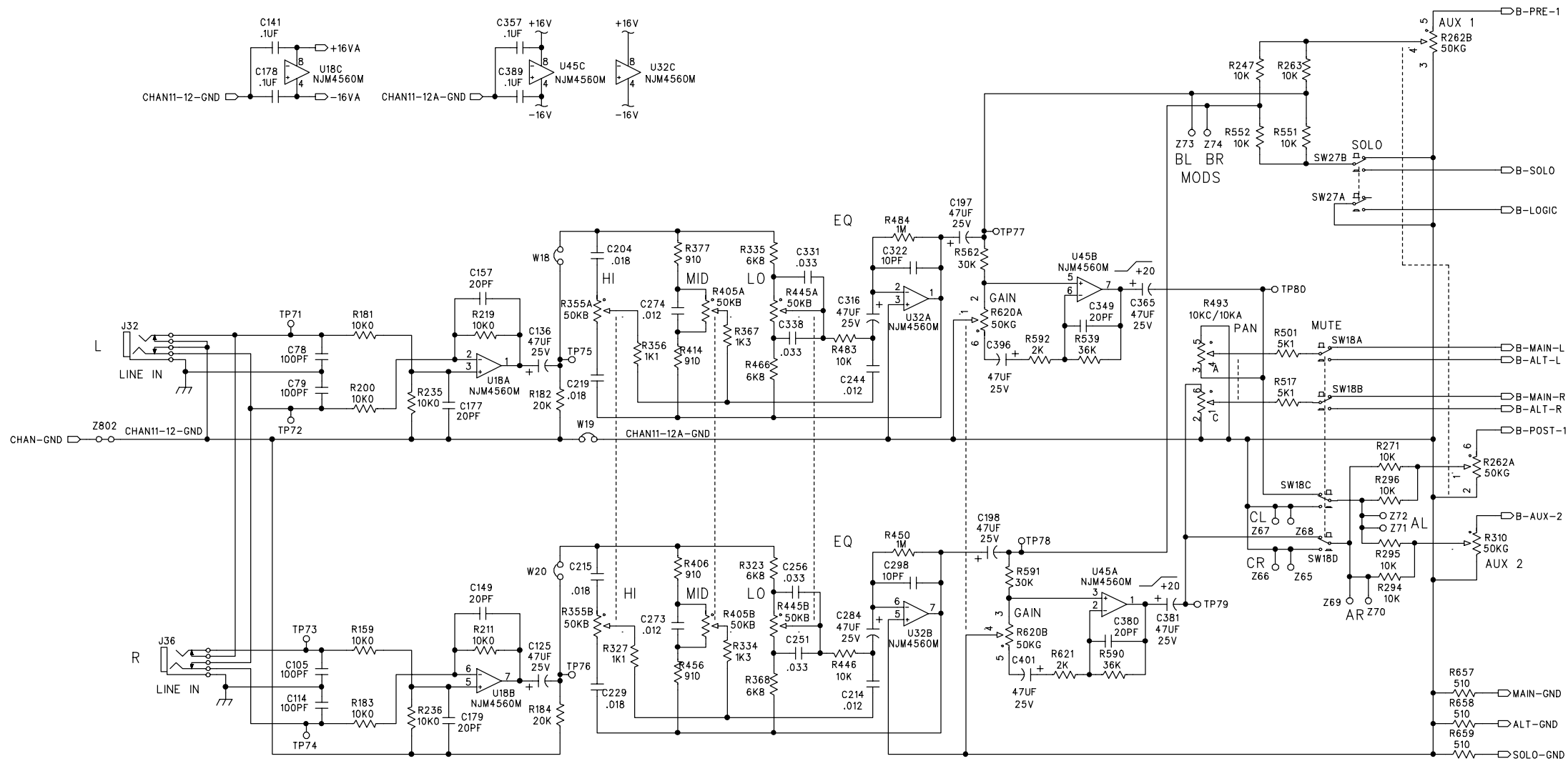
UNLESS OTHERWISE SPECIFIED DIMENSIONS ARE IN INCHES TOLERANCES ARE: FRACTIONS: .XX ±.01 ±.01 DECIMALS: .XXX ±.005 ANGLES: MATERIAL: SEE NOTES FINISH: SEE NOTES DO NOT SCALE DRAWING	CONTRACT NO:		MACKIE Mackie Designs Inc. Woodinville, Wa.
	APPROVALS	DATE	
	CHECKED:		
	ISSUED:		
ENG:		SIZE D	SCHEMATIC, CHANNEL 5/6, 1202VLZ PRO
MFG:		DWG. NO. 990-217-00 REV. B	
		SCALE: NONE	SHEET 3 OF 10



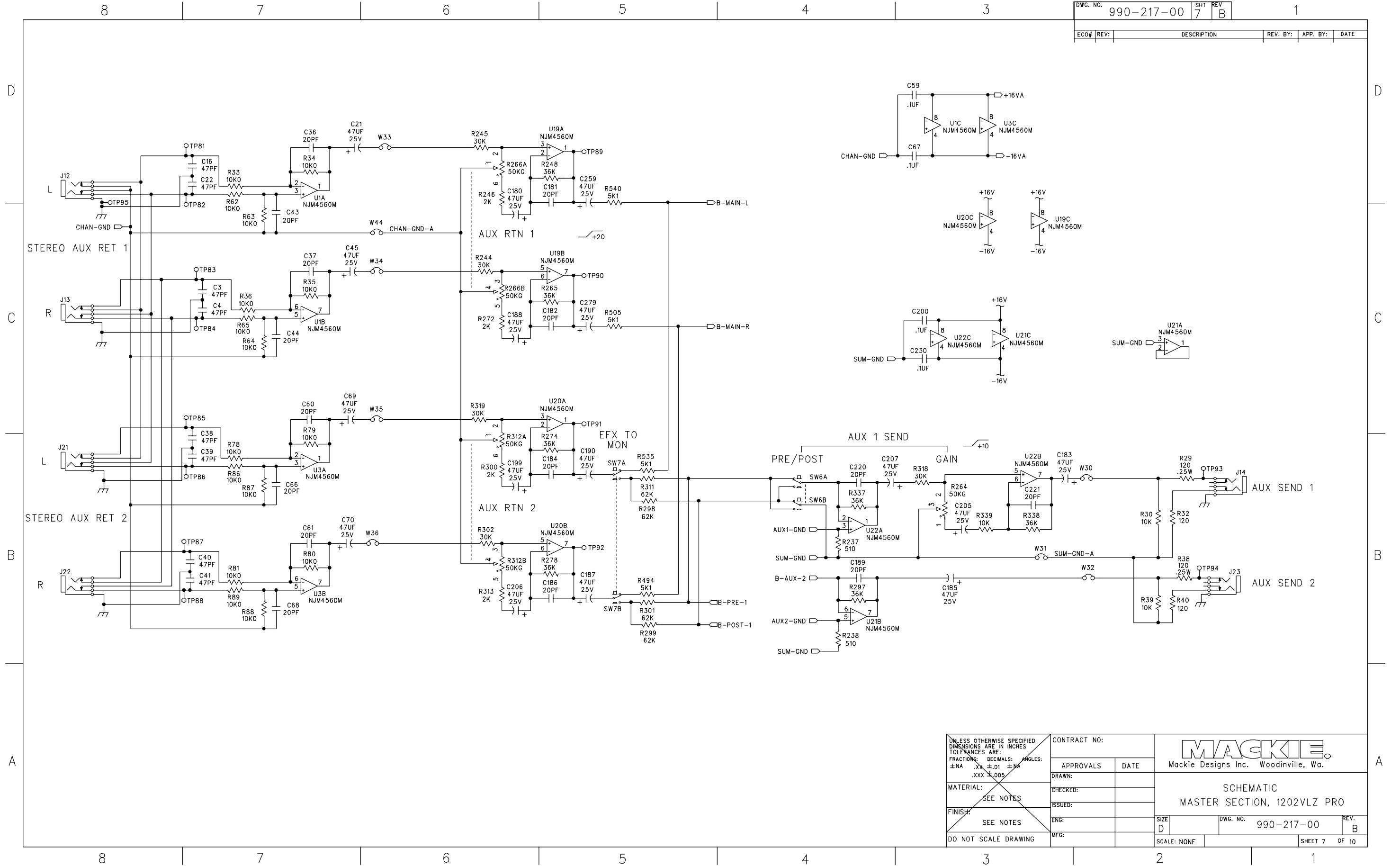
UNLESS OTHERWISE SPECIFIED DIMENSIONS ARE IN INCHES TOLERANCES ARE: FRACTIONS: DECIMALS: ANGLES: ±NA .XX ±.01 ±NA .XXX ±.005	CONTRACT NO:		Mackie Designs Inc. Woodinville, Wa.	
	APPROVALS	DATE		
	MATERIAL:	CHECKED:	SCHEMATIC, CHANNEL 7/8, 1202VLZ PRO	
	SEE NOTES	ISSUED:		
FINISH:	ENG:	SIZE	DWG. NO.	REV.
DO NOT SCALE DRAWING	MFG:	D	990-217-00	B
SCALE: NONE			SHEET 4 OF 10	



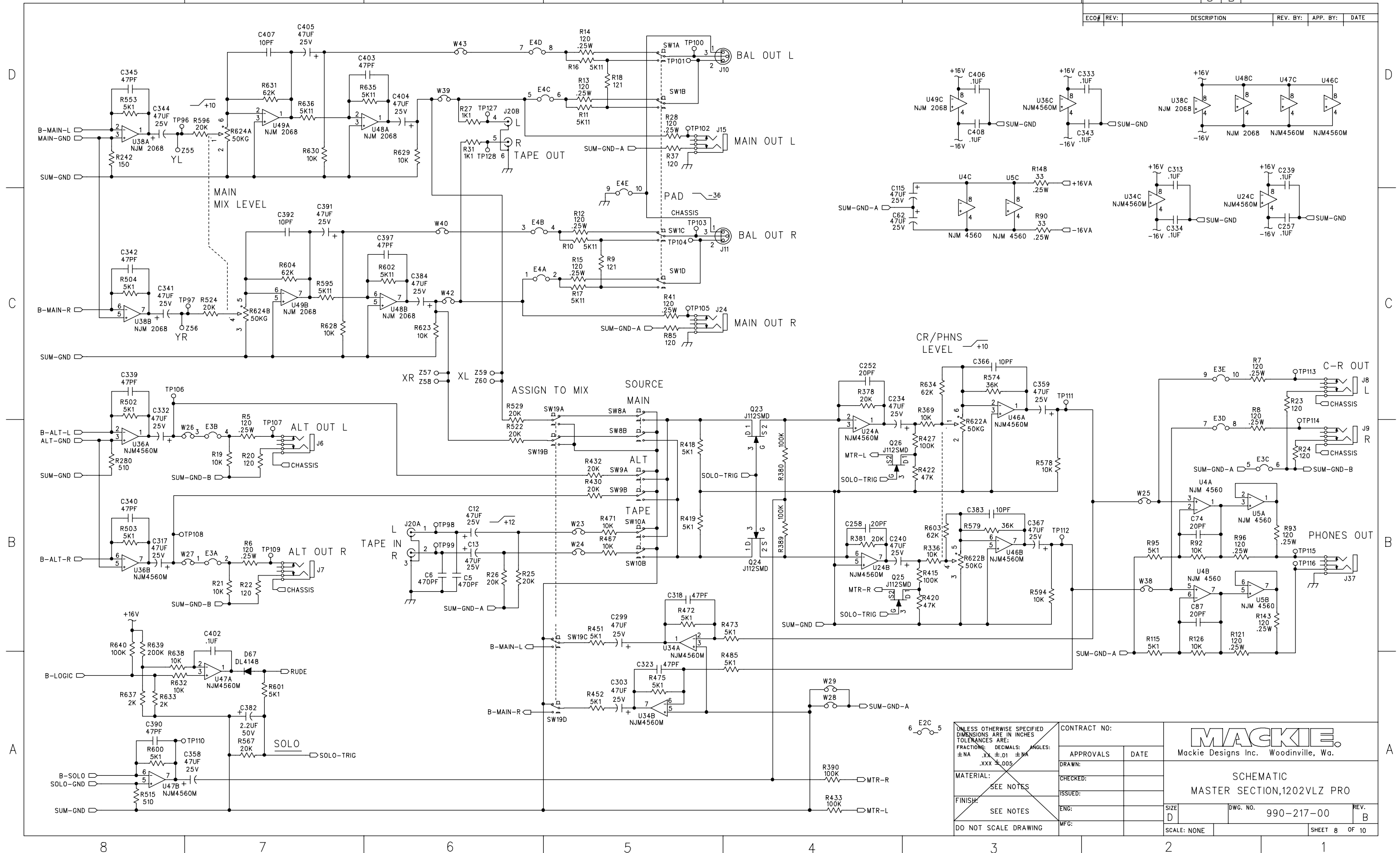
UNLESS OTHERWISE SPECIFIED DIMENSIONS ARE IN INCHES TOLERANCES ARE: FRACTIONS: DECIMALS: ANGLES: ±.NA .XX ±.01 ±NA .XXX ±.005	CONTRACT NO:		MACKIE Mackie Designs Inc. Woodinville, Wa.	
	APPROVALS	DATE		
	MATERIAL:	CHECKED:	SCHEMATIC, CHANNEL 9/10, 1202VLZ PRO	
	FINISH:	ISSUED:		
DO NOT SCALE DRAWING	MFG:	ENG:	SCALE: NONE	SIZE D DWG. NO. 990-217-00 REV. B SHEET 5 OF 10



UNLESS OTHERWISE SPECIFIED DIMENSIONS ARE IN INCHES TOLERANCES ARE: FRACTIONS: DECIMALS: ANGLES: ±.NA .XXX ±.01 ±NA .XXX ±.005	CONTRACT NO:		Mackie Designs Inc. Woodinville, Wa.	
	APPROVALS	DATE		
	MATERIAL:	CHECKED:	SCHEMATIC,	
	SEE NOTES	ISSUED:	CHANNEL 11/12, 1202VLZ PRO	
FINISH:	ENG:	SIZE	DWG. NO.	REV.
SEE NOTES	MFG:	D	990-217-00	B
DO NOT SCALE DRAWING		SCALE: NONE	SHEET 6 OF 10	

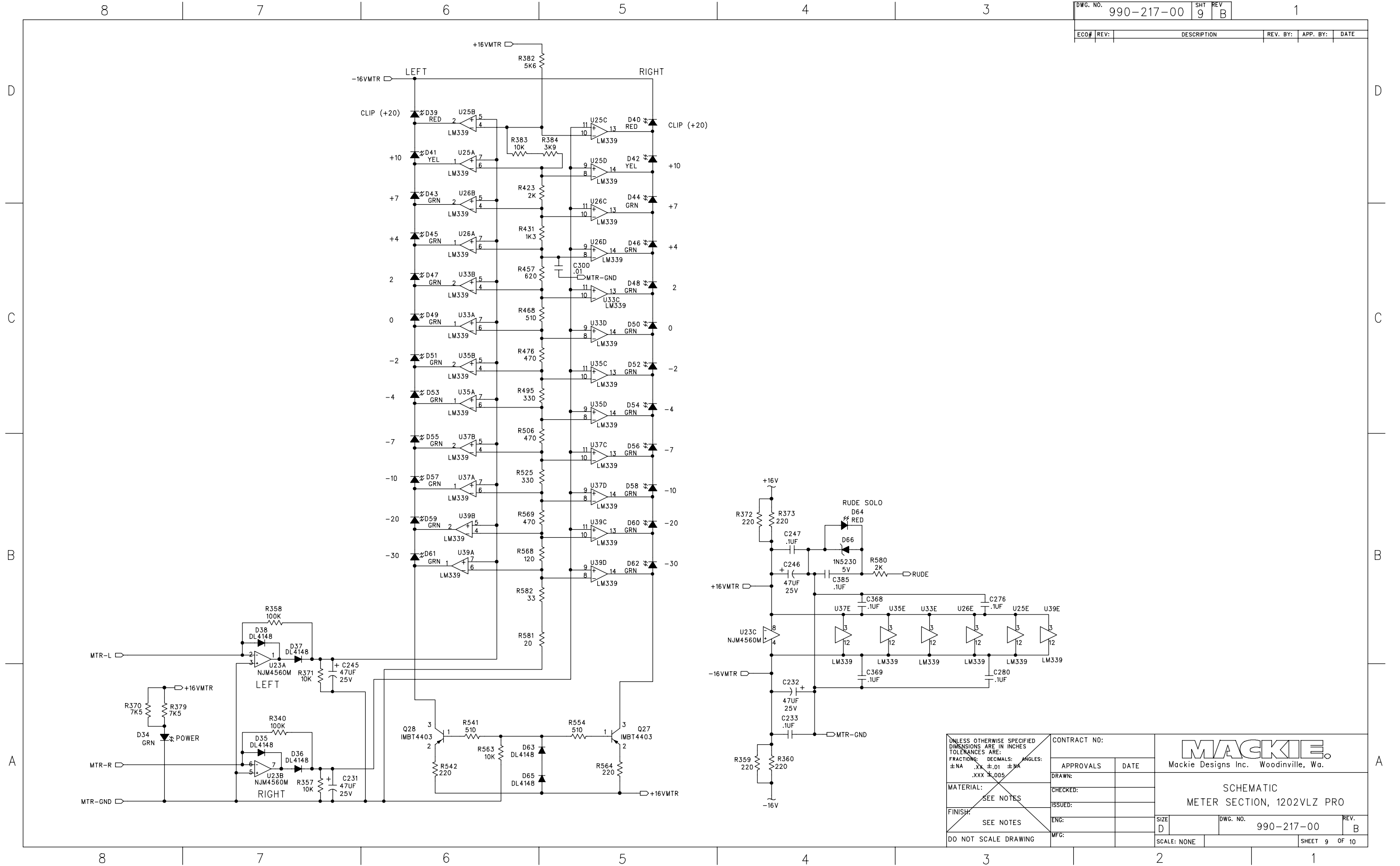


UNLESS OTHERWISE SPECIFIED DIMENSIONS ARE IN INCHES TOLERANCES ARE: FRACTIONS: DECIMALS: ANGLES: ±.NA .XX ±.01 ±.NA .XXX ±.005	CONTRACT NO:		MACKIE. Mackie Designs Inc. Woodinville, Wa.		
	APPROVALS	DATE			
	MATERIAL:	CHECKED:	SCHEMATIC MASTER SECTION, 1202VLZ PRO		
	FINISH:	ISSUED:			
DO NOT SCALE DRAWING	ENG:	SIZE	DWG. NO. 990-217-00	REV. B	
	MFG:	SCALE: NONE	SHEET 7 OF 10		

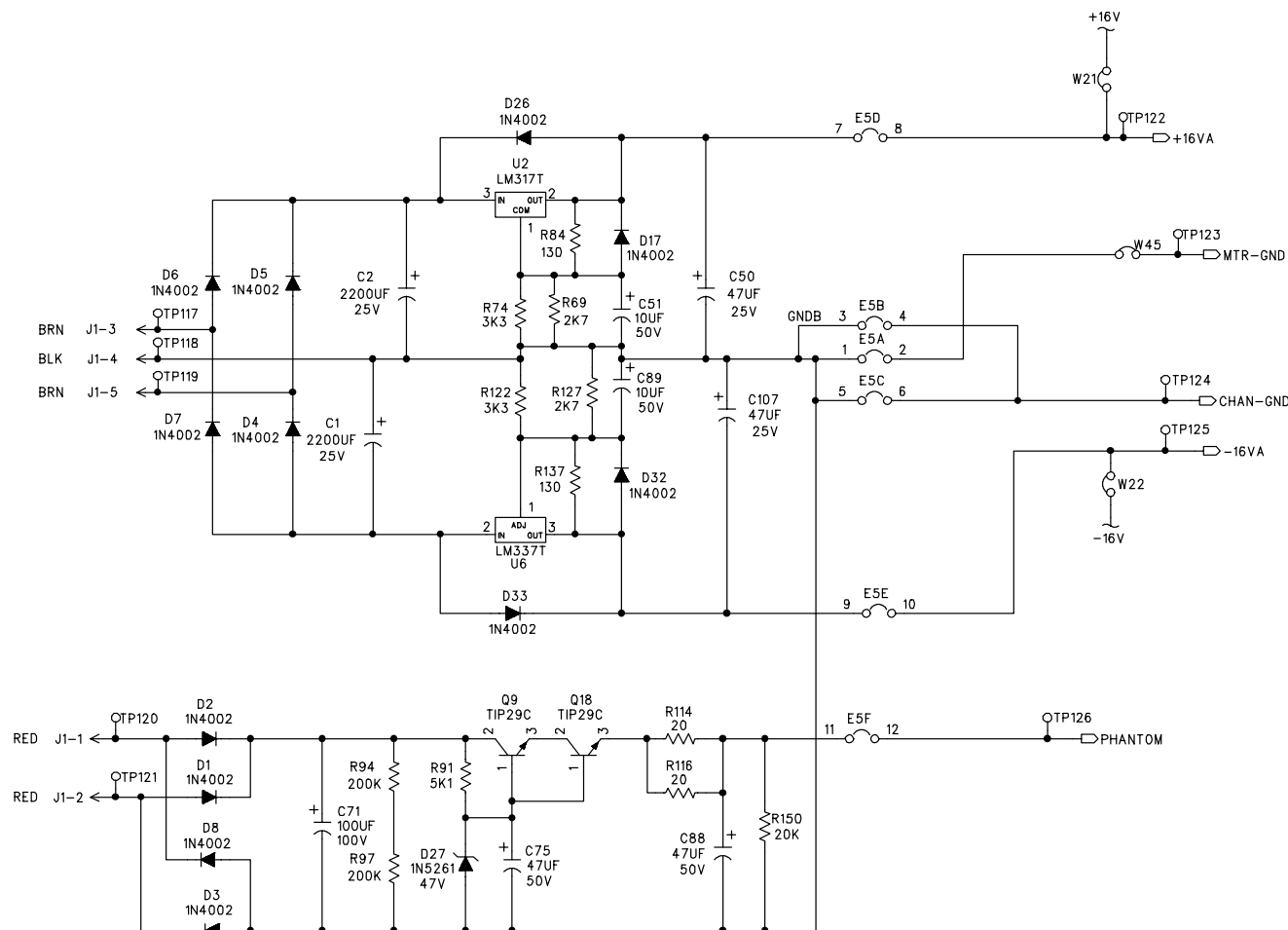


UNLESS OTHERWISE SPECIFIED DIMENSIONS ARE IN INCHES TOLERANCES ARE: FRACTIONS: DECIMALS: ANGLES: ±NA .XX ±.01 ±MA .XXX ±.005	CONTRACT NO:		MACKIE Mackie Designs Inc. Woodinville, Wa.	
	APPROVALS	DATE		
	MATERIAL:	CHECKED:	SCHEMATIC MASTER SECTION, 1202VLZ PRO	
	FINISH:	ISSUED:		
DO NOT SCALE DRAWING	ENG:	SCALE: NONE	DWG. NO. 990-217-00	REV. B
	MFC:		SHEET 8 OF 10	

217-8 MAIN BOARD 217 Rev B



UNLESS OTHERWISE SPECIFIED DIMENSIONS ARE IN INCHES TOLERANCES ARE: FRACTIONS: DECIMALS: ANGLES: ±.01 ±.005 ±.01 ±.005	CONTRACT NO:		MACKIE. Mackie Designs Inc. Woodinville, Wa.	
	APPROVALS	DATE		
	MATERIAL:	CHECKED:	SCHEMATIC METER SECTION, 1202VLZ PRO	
	FINISH:	ISSUED:		
DO NOT SCALE DRAWING	MFG:	SIZE D	DWG. NO. 990-217-00	REV. B
		SCALE: NONE	SHEET 9 OF 10	

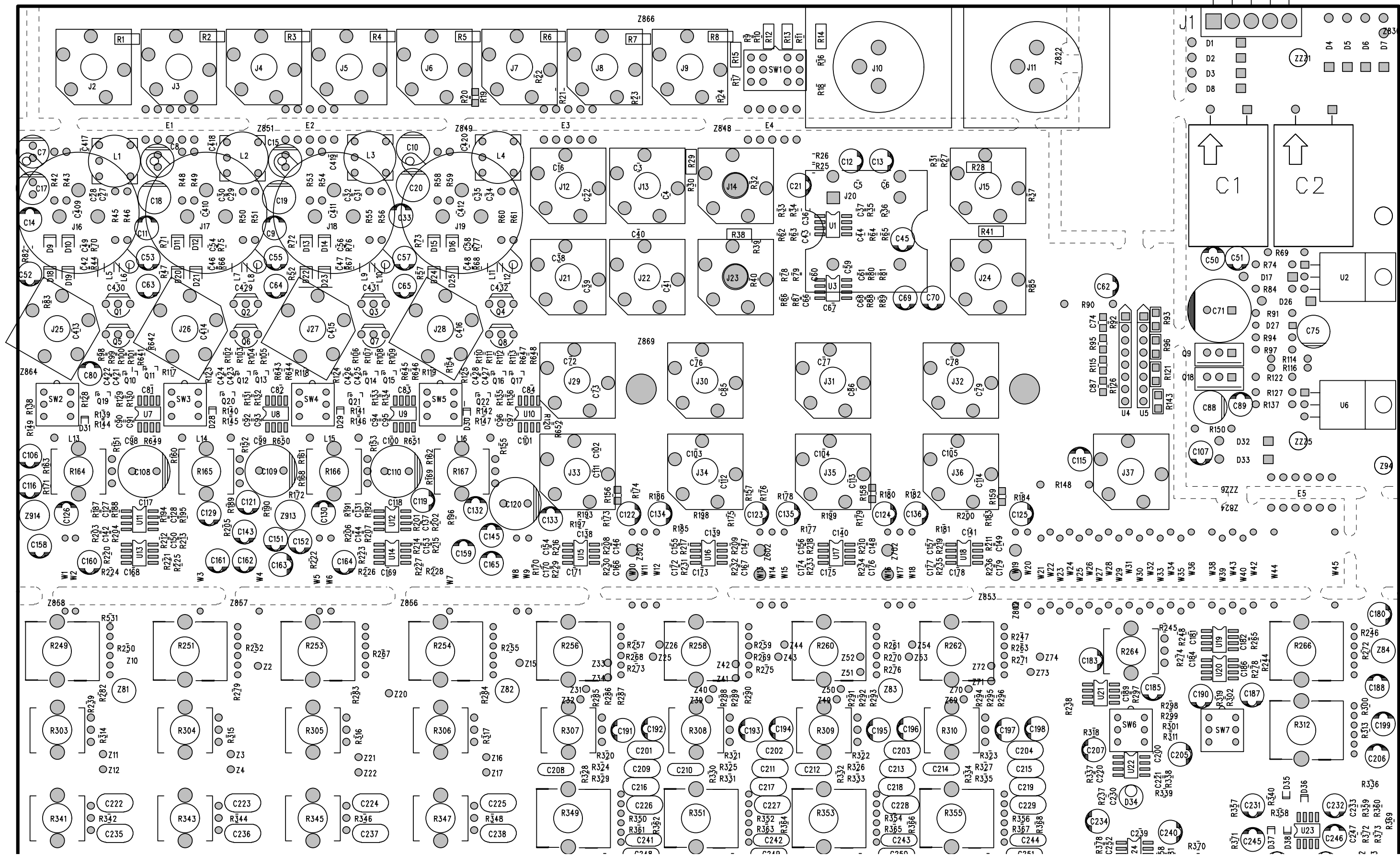


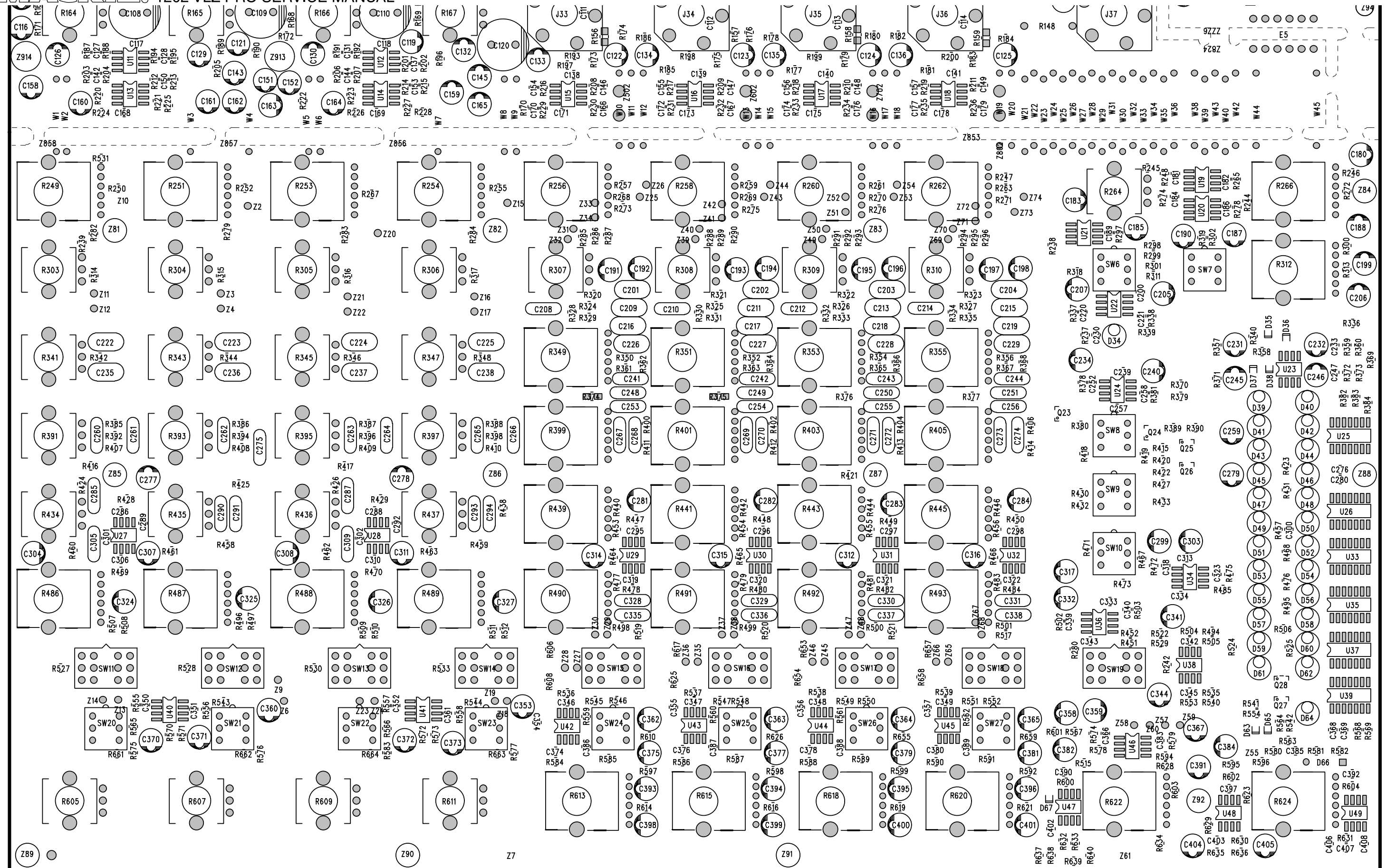
- 760-107-00
BTN 2 COLOR 9X5MM
- 760-107-00
BTN 2 COLOR 9X5MM
- 760-107-00
BTN 2 COLOR 9X5MM
- 760-107-00
BTN 2 COLOR 9X5MM
- 760-107-00
BTN 2 COLOR 9X5MM
- 760-107-00
BTN 2 COLOR 9X5MM
- 760-107-00
BTN 2 COLOR 9X5MM
- 760-107-00
BTN 2 COLOR 9X5MM
- 760-107-00
BTN 2 COLOR 9X5MM
- 760-107-00
BTN 2 COLOR 9X5MM
- 760-107-00
BTN 2 COLOR 9X5MM
- 760-107-00
BTN 2 COLOR 9X5MM
- 760-108-00
BTN 2 COLOR 9X9MM
- 760-108-00
BTN 2 COLOR 9X9MM
- 760-108-00
BTN 2 COLOR 9X9MM
- 760-108-00
BTN 2 COLOR 9X9MM
- 760-108-00
BTN 2 COLOR 9X9MM
- 760-108-00
BTN 2 COLOR 9X9MM
- 760-108-00
BTN 2 COLOR 9X9MM
- 760-108-00
BTN 2 COLOR 9X9MM
- 760-108-00
BTN 2 COLOR 9X9MM
- 760-108-00
BTN 2 COLOR 9X9MM
- 760-109-00
BTN 2 COLOR 9X5MM W/EXT
- 760-109-00
BTN 2 COLOR 9X5MM W/EXT
- 760-109-00
BTN 2 COLOR 9X5MM W/EXT
- 760-109-00
BTN 2 COLOR 9X5MM W/EXT
- 760-109-00
BTN 2 COLOR 9X5MM W/EXT
- 760-109-00
BTN 2 COLOR 9X5MM W/EXT
- 760-109-00
BTN 2 COLOR 9X5MM W/EXT
- 760-109-00
BTN 2 COLOR 9X5MM W/EXT

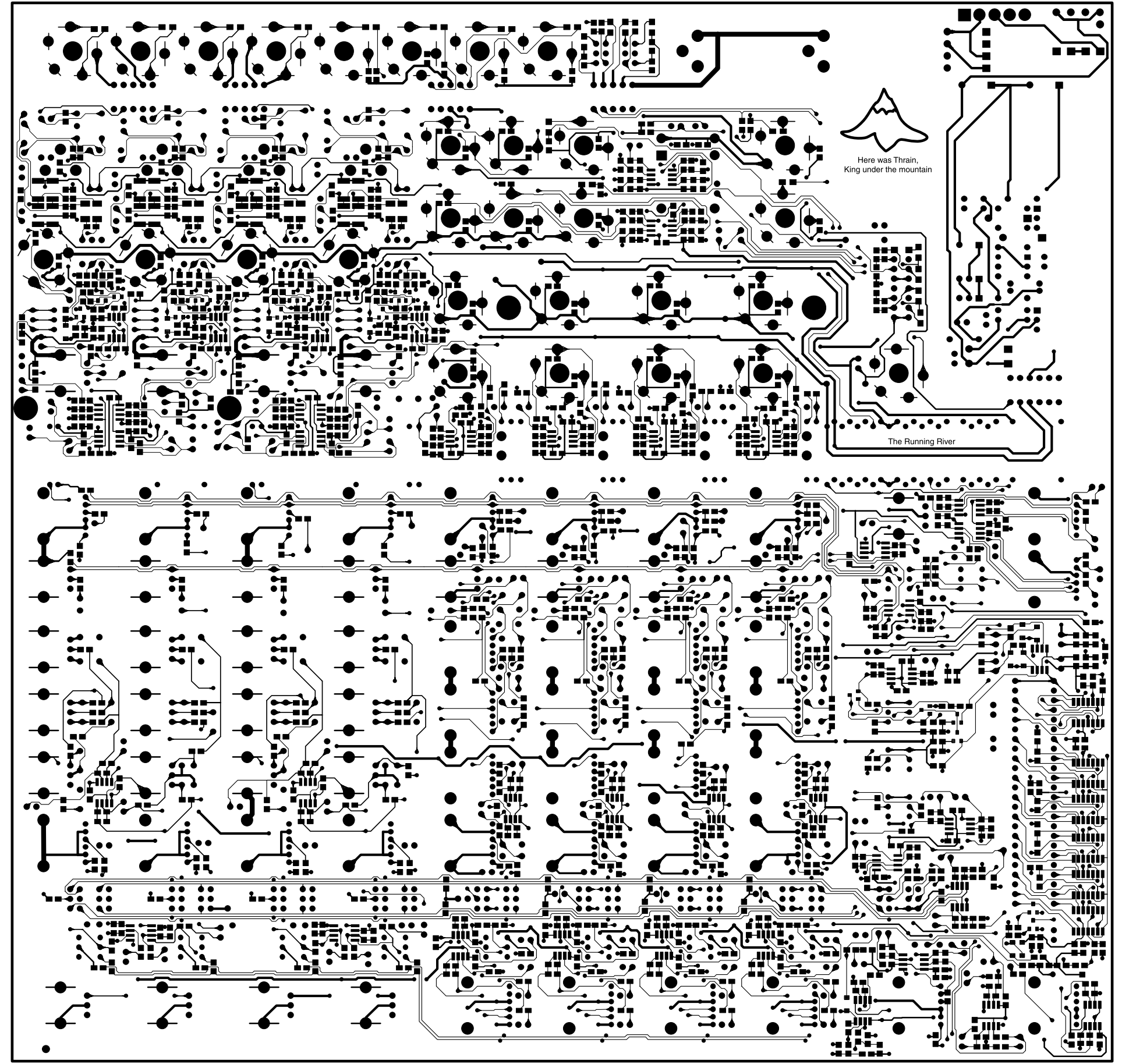
- 730-001-00
THERMAL COAT COMPOUND
- 706-038-00
STDF NO.4 X .250L
- 706-038-00
STDF NO.4 X .250L
- 550-166-00
HEATSINK, POWER SUPPLY
- 550-166-00
HEATSINK, POWER SUPPLY
- 706-013-00
STANDOFF, M/F #4 X .978
- 706-013-00
STANDOFF, M/F #4 X .978
- 450-217-00
PCB, 1202VLZ PRO
- 840-154-00
LBL BLANK 1.5X.25 BD P/N
- 705-005-00
KEPNUT 4-40
- 705-005-00
KEPNUT 4-40
- 705-005-00
KEPNUT 4-40
- 705-005-00
KEPNUT 4-40
- 700-012-00
SCREW, PHP 4-40 X 3/8
- 700-012-00
SCREW, PHP 4-40 X 3/8
- 700-012-00
SCREW, PHP 4-40 X 3/8
- 700-012-00
SCREW, PHP 4-40 X 3/8

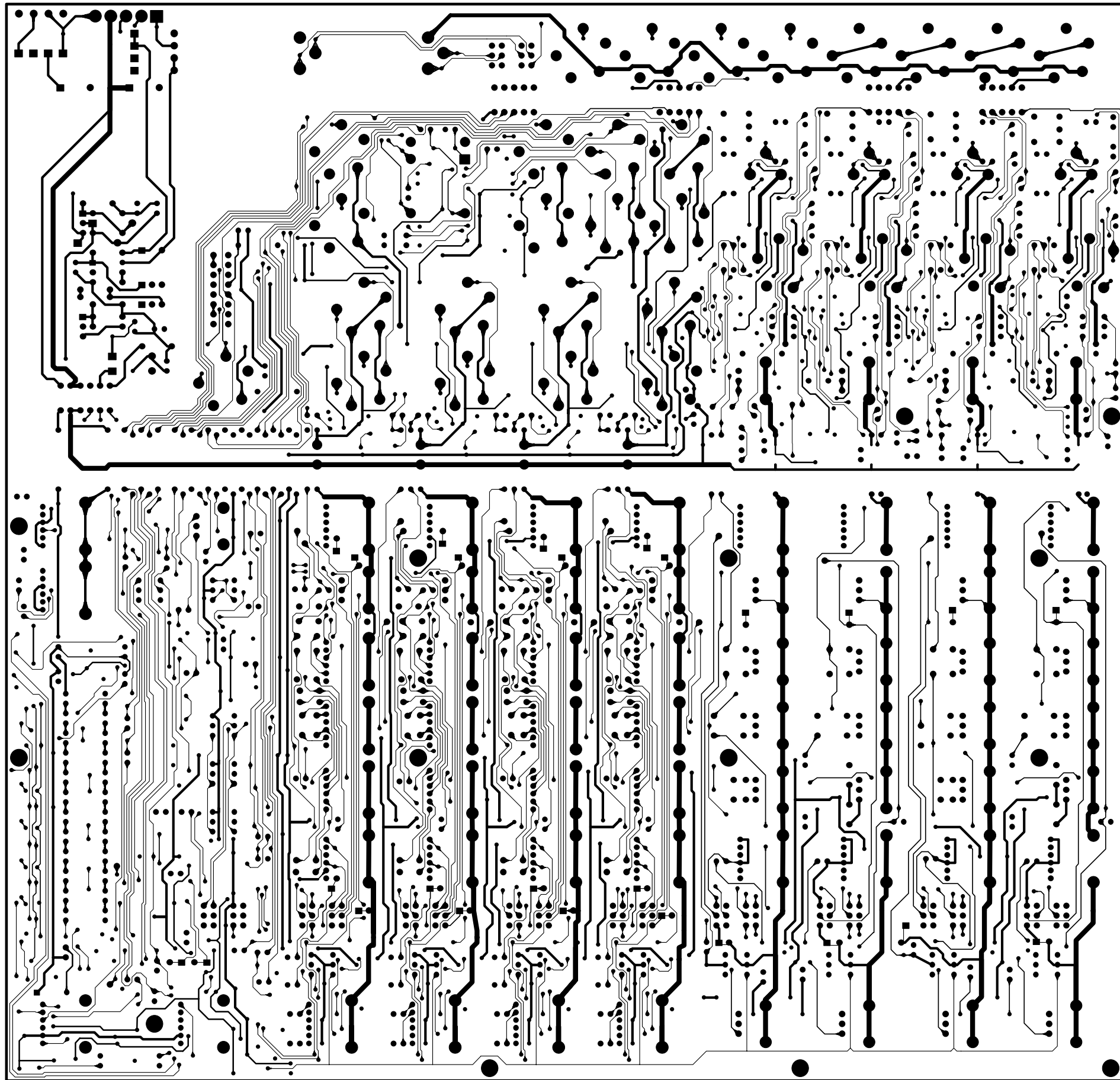
- 706-033-02
STDF SWAGE NO.4 X .555L F
- 706-033-02
STDF SWAGE NO.4 X .555L F
- 706-033-02
STDF SWAGE NO.4 X .555L F
- 706-033-02
STDF SWAGE NO.4 X .555L F
- 706-033-02
STDF SWAGE NO.4 X .555L F
- 706-033-02
STDF SWAGE NO.4 X .555L F
- 706-033-02
STDF SWAGE NO.4 X .555L F
- 706-033-02
STDF SWAGE NO.4 X .555L F
- 706-033-02
STDF SWAGE NO.4 X .555L F
- 706-033-02
STDF SWAGE NO.4 X .555L F

UNLESS OTHERWISE SPECIFIED DIMENSIONS ARE IN INCHES TOLERANCES ARE: FRACTIONS: DECIMALS: ANGLES: ±.NA .XX ±.01 ±NA .XXX ±.005	CONTRACT NO:		Mackie Designs Inc. Woodinville, Wa.	
	APPROVALS	DATE		
	MATERIAL:	CHECKED:	SCHEMATIC POWER SUPPLY, 1202VLZ PRO	
	SEE NOTES	ISSUED:		
FINISH:	ENG:	SIZE	DWG. NO.	REV.
DO NOT SCALE DRAWING	MFG:	D	990-217-00	B
		SCALE: NONE	SHEET 10 OF 10	









217-14

MAIN BOARD 217 Rev B