

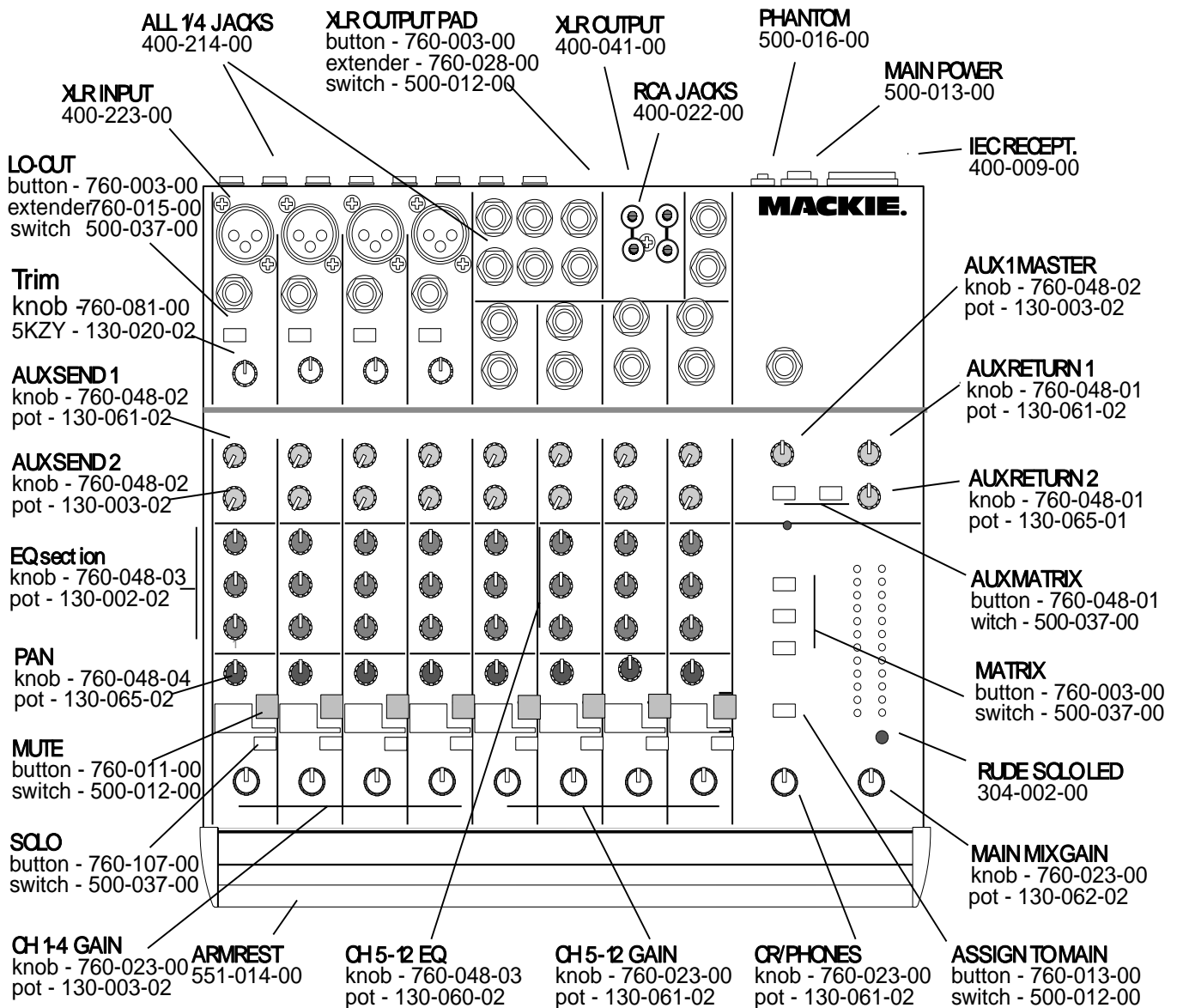
MICROSERIES 1202-VLZ™ MIC/LINE MIXER



SERVICE MANUAL

Contents	Pg.
Quick Parts	1
Block Diagram	2
Schematics	3-7
PCB Layout	8-9

QUICK PARTS



Other Stuff.....

END CAPS
left - 760-034-20
right - 760-034-10

SMALL LEDS
green - 304-004-00
yellow - 304-003-00
red - 304-001-00

BUMPON
750-001-00

STAR GROUND SCREW
700-031-01

BOTTOM SIDE SCREW
701-005-00

RCA SCREW
705-001-00

PCB ASSY
055-217-00

TOP SRF SCREWS
700-011-00

STAR GROUND NUT
705-001-00

BOTTOM SCREWS
701-005-00

CHASSIS TOP
550-150-10

SIDE SCREWS
700-006-00

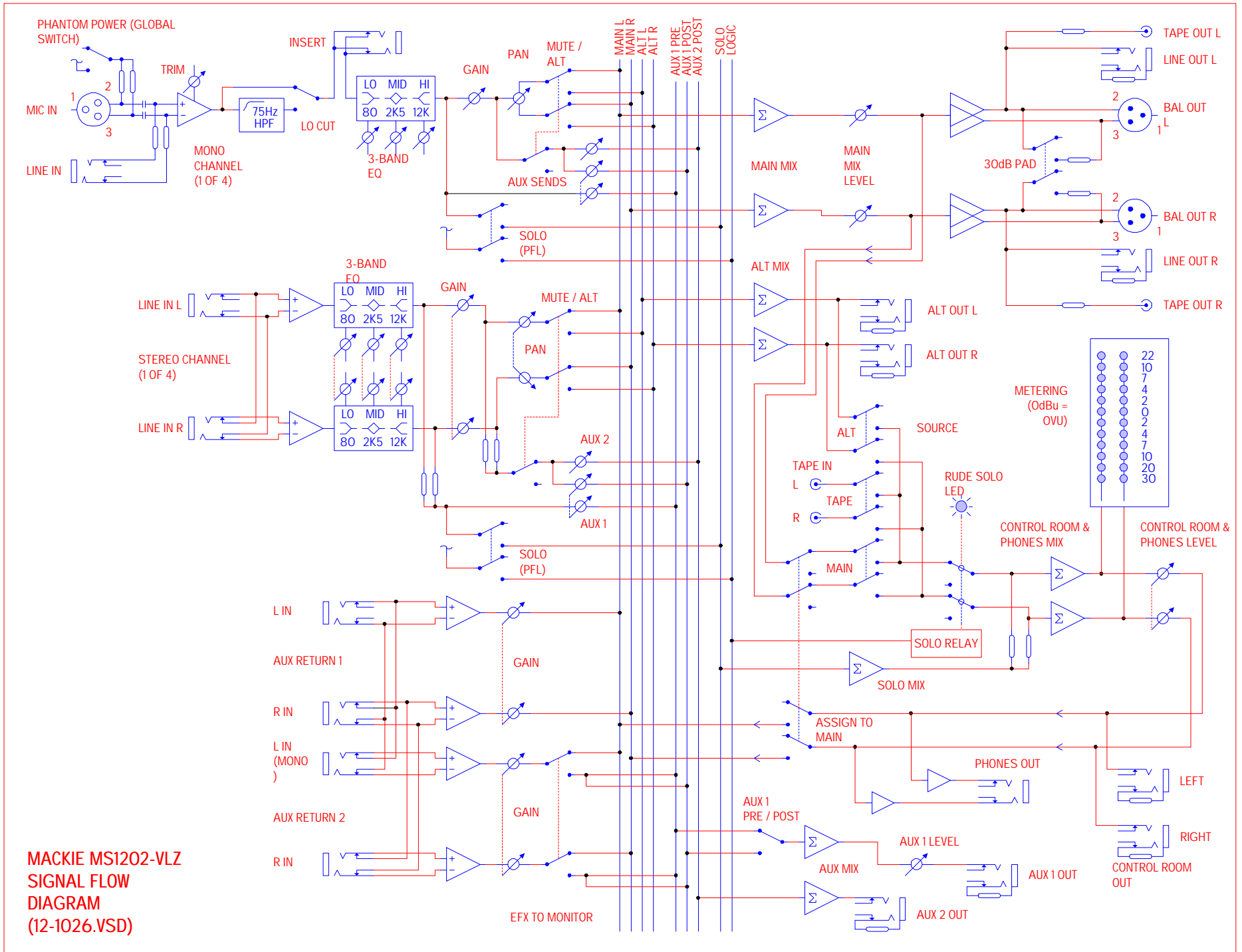
ALL XLR SCREWS
701-005-00

END CAP SCREWS
700-010-00

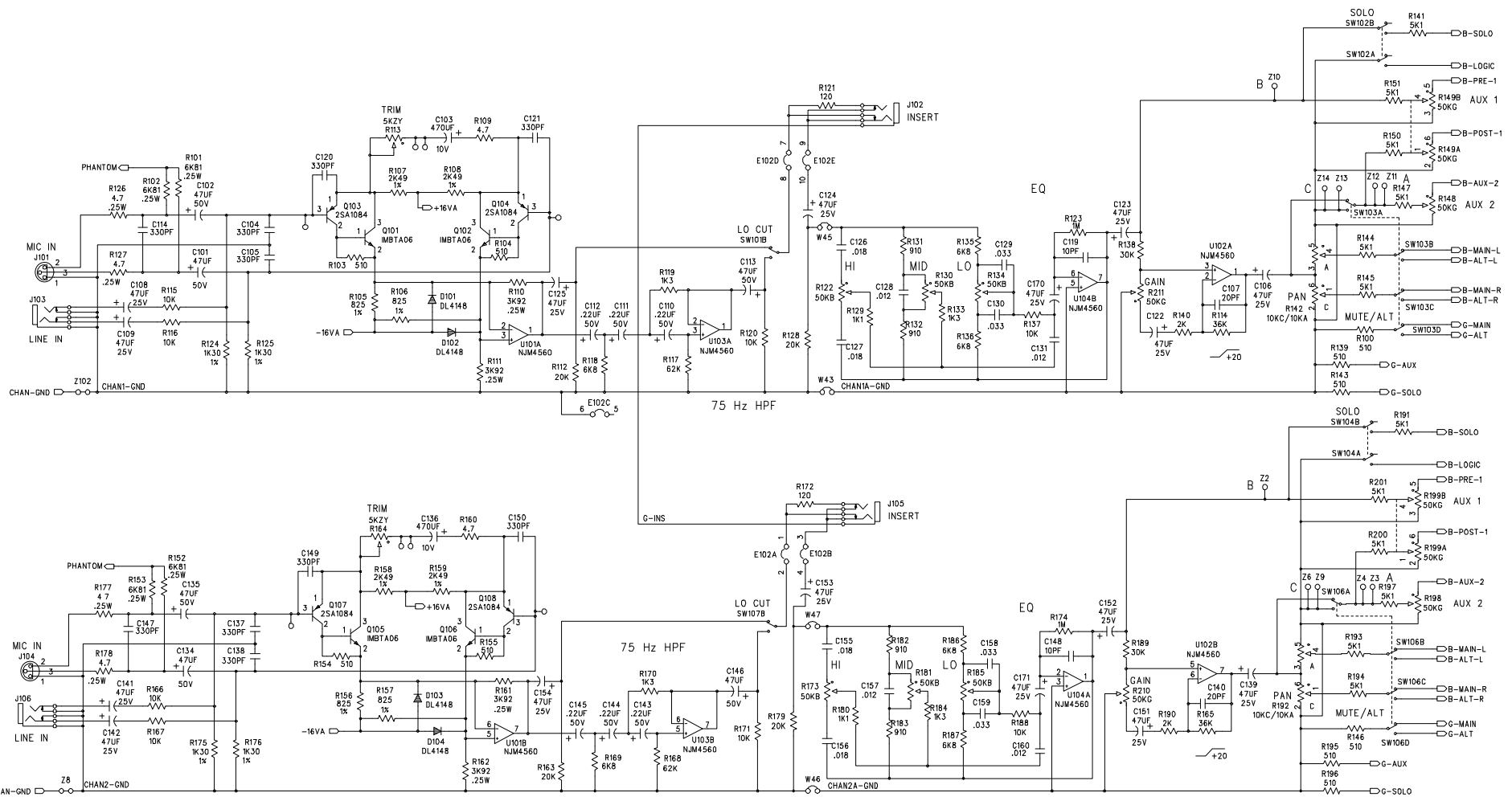
120V XFORMER
080-009-00

PCB ASSY
055-217-00

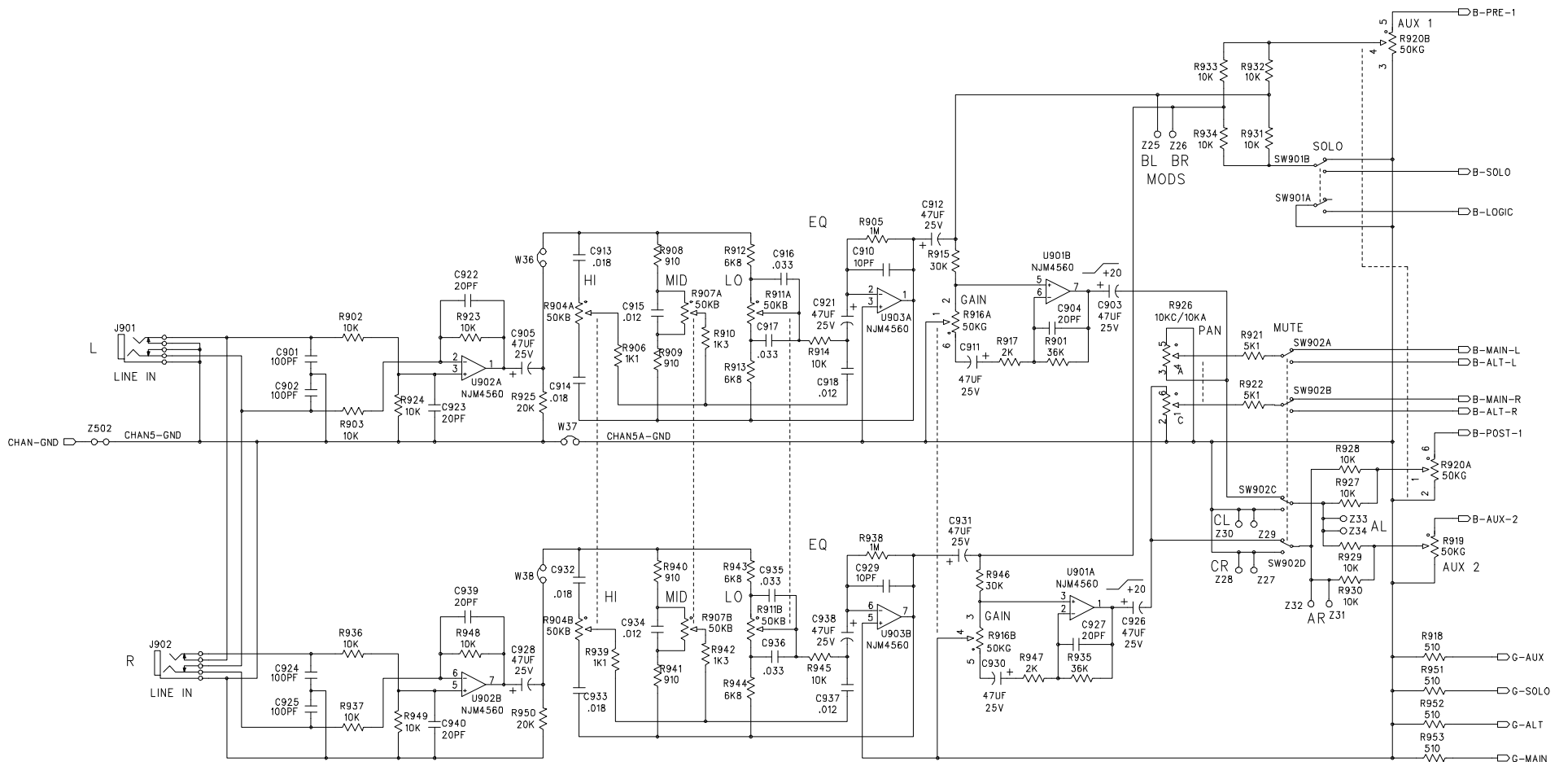
OWNER'S MANUAL
820-028-01



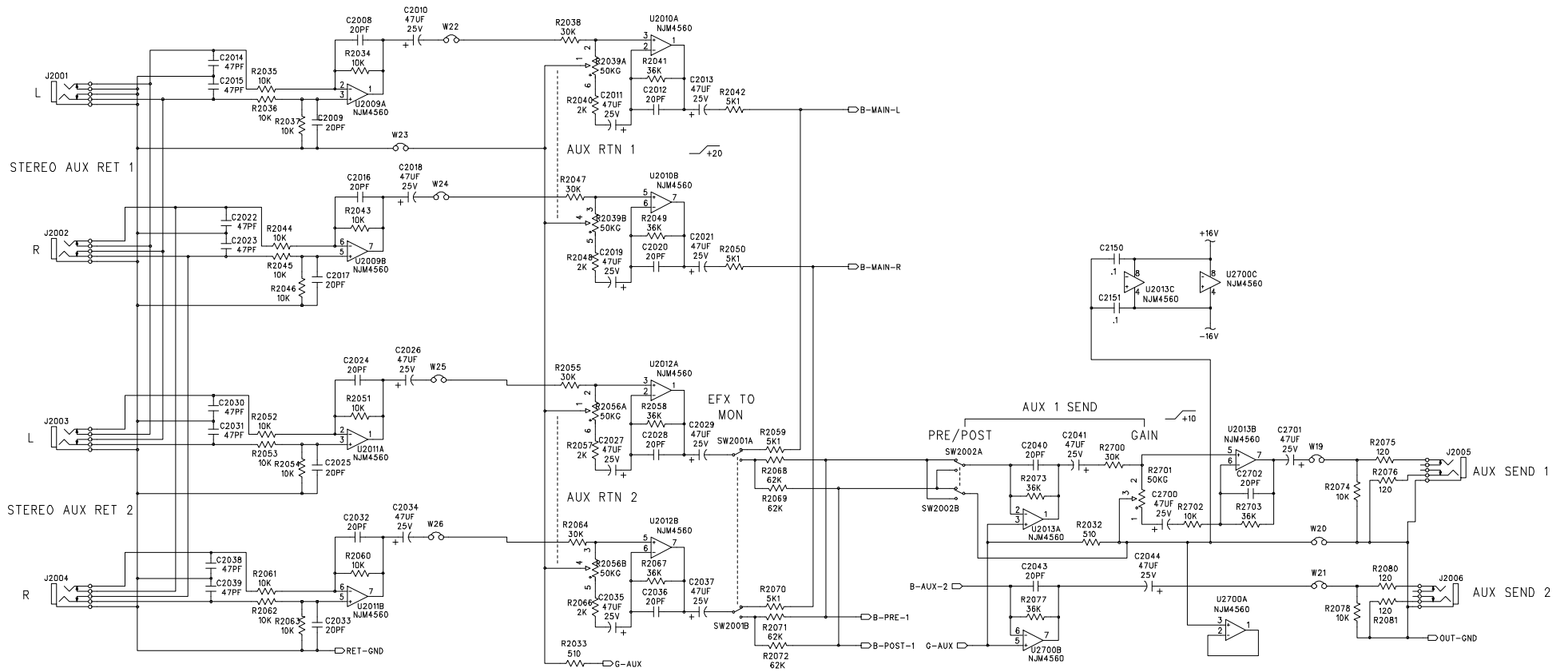
**MACKIE MS1202-VLZ
SIGNAL FLOW
DIAGRAM
(12-1026.VSD)**



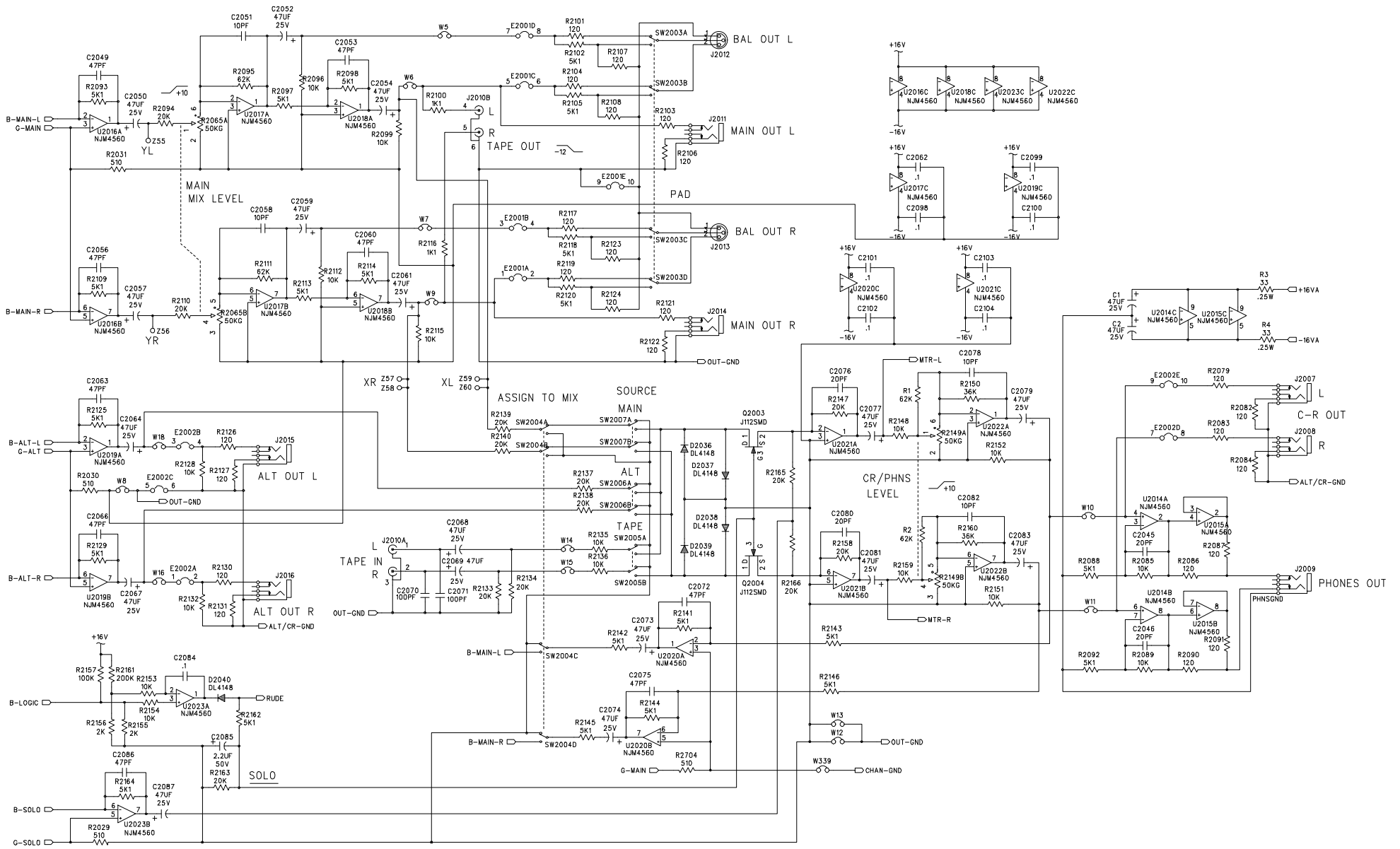
MACKIE.
MS1202 VLZ MONO CHANNEL



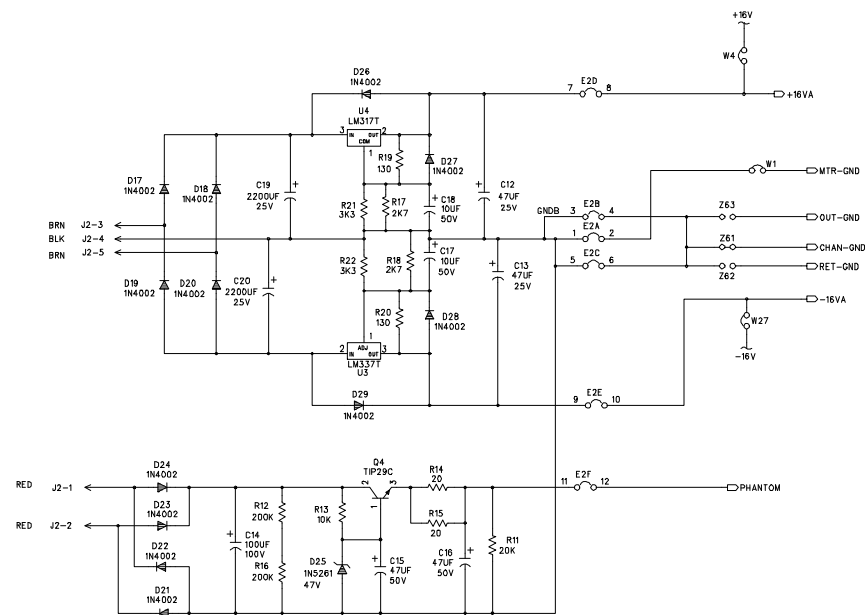
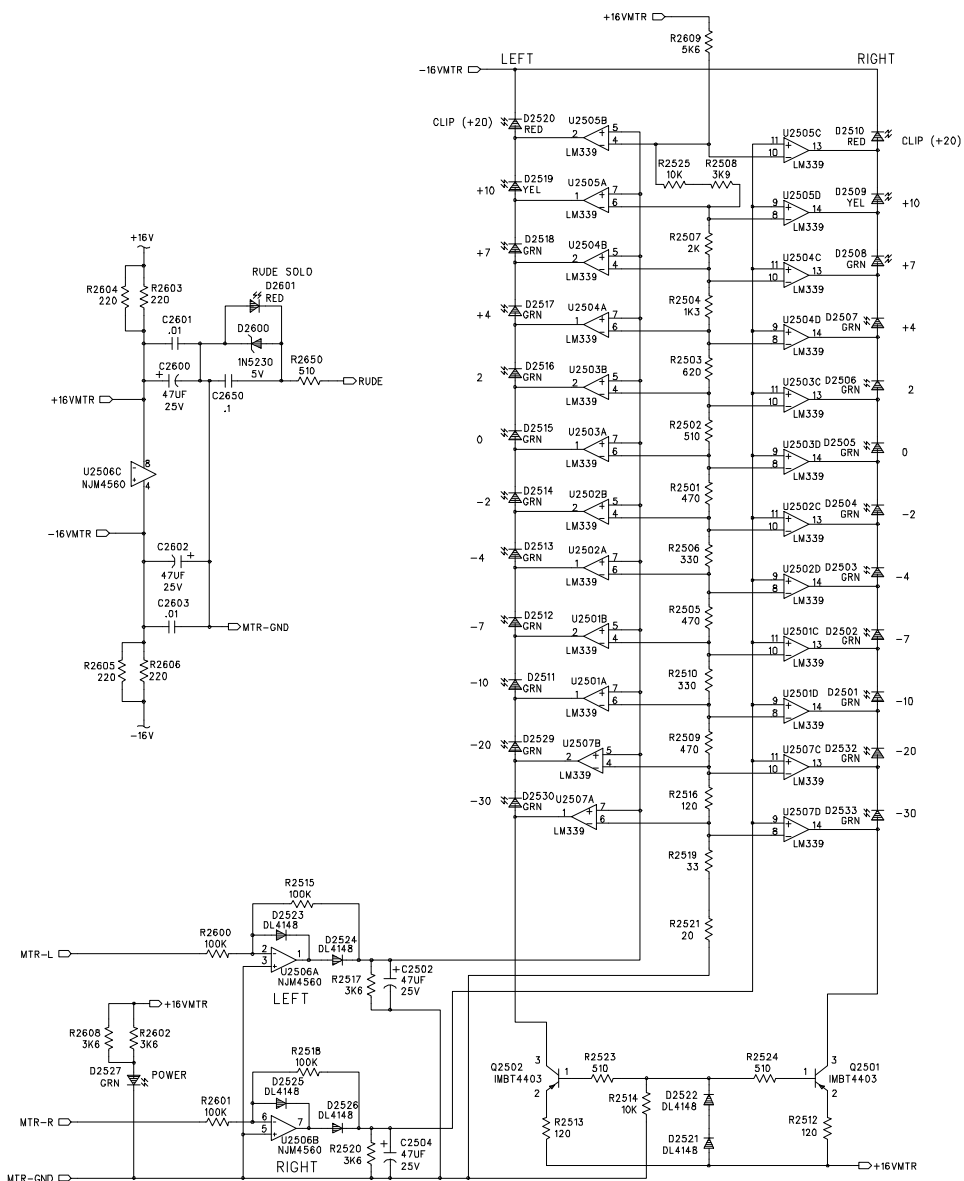
MACKIE.
MS1202 VLZ STEREO CHANNEL



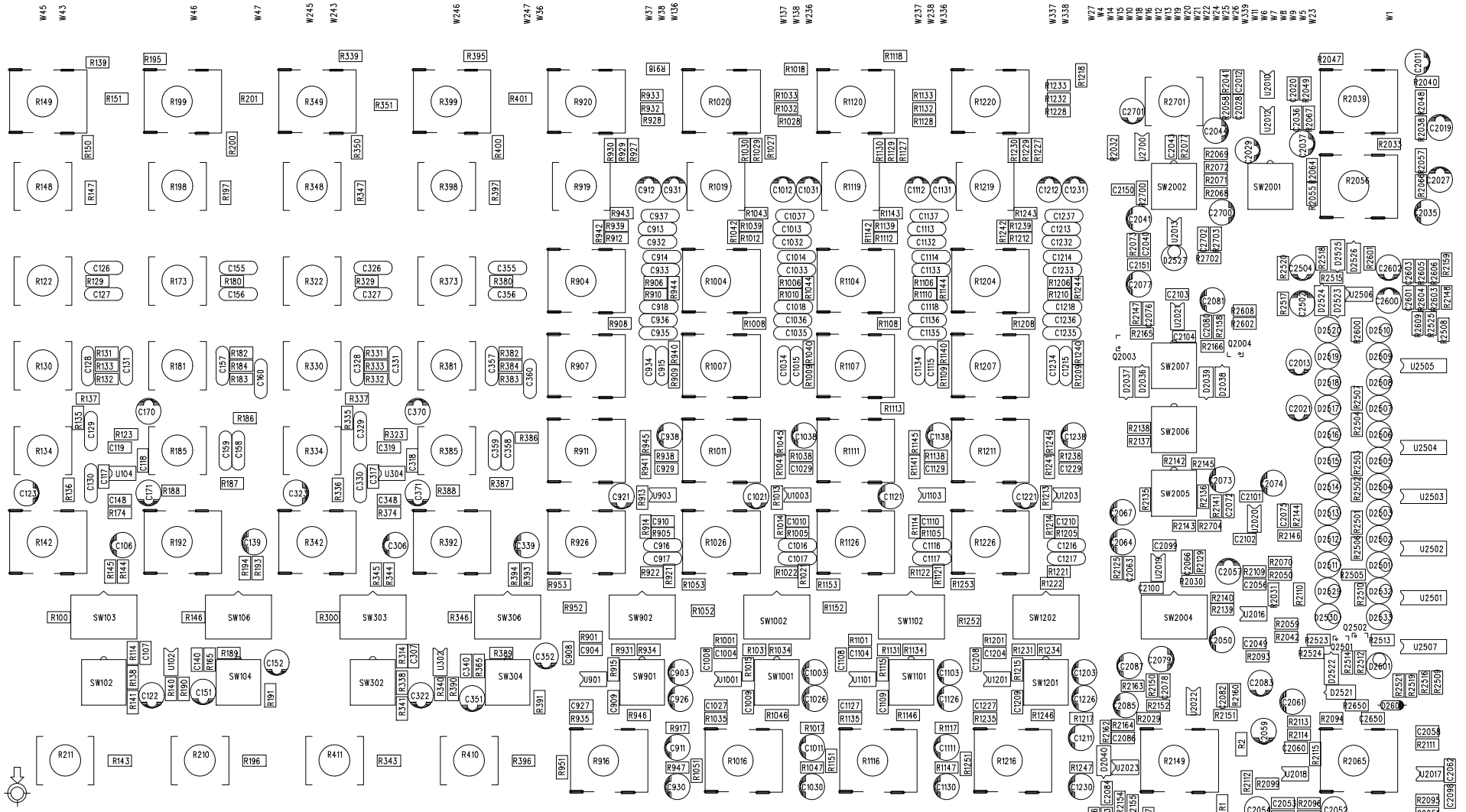
MACKIE.
MS1202 VLZ AUX SEND / RETURN



MACKIE.
MS1202 VLZ MASTER SECTION



MACKIE.
MS1202 VLZ BARGRAPH
METERS / POWER SUPPLY



MACKIE DESIGNS	PRIMARY CIRCUIT	450-060-00	B
----------------	-----------------	------------	---

MACKIE.
MS1202 VLZ LOWER PCB