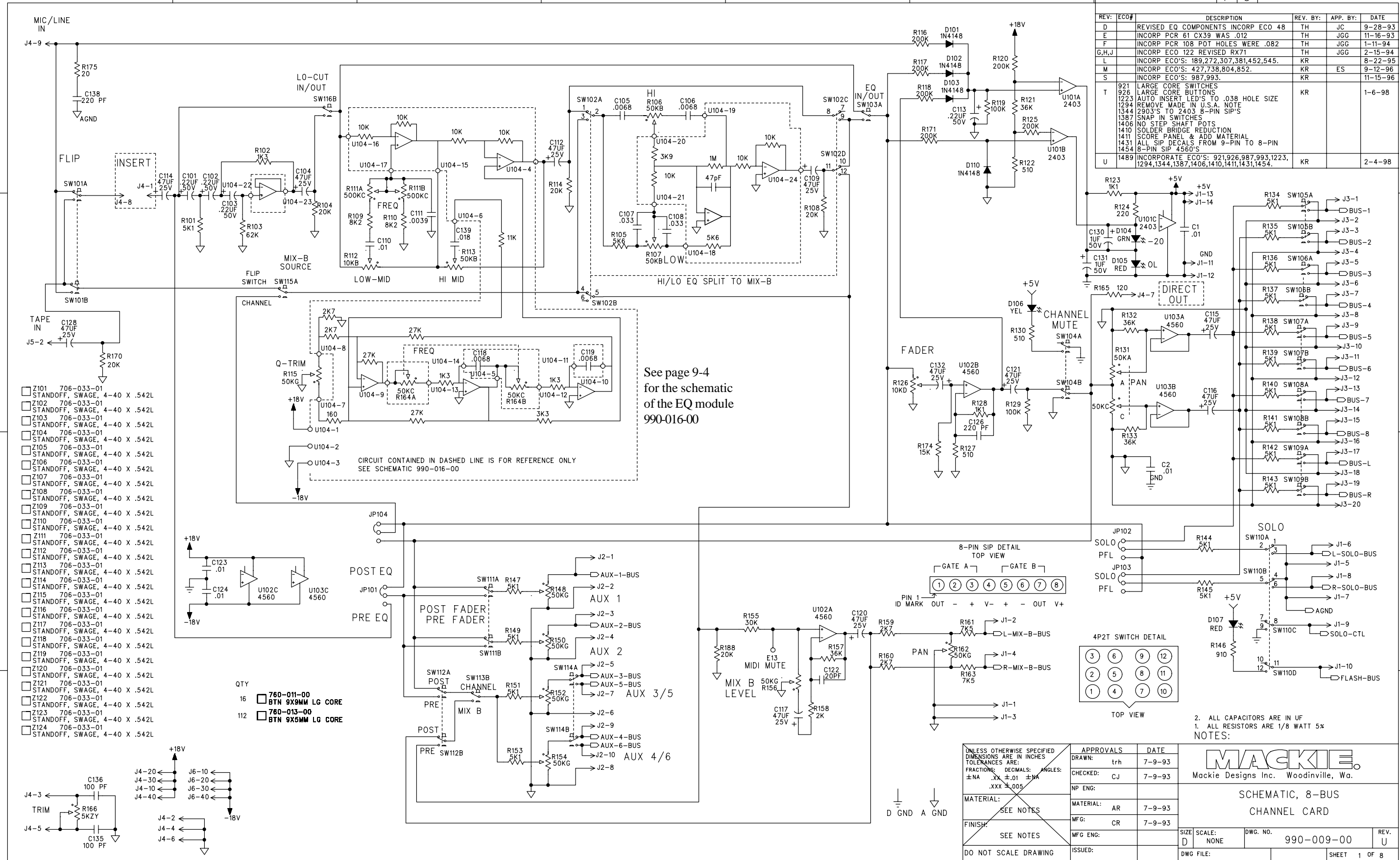


REV.	ECO#	DESCRIPTION	REV. BY:	APP. BY:	DATE
D		REVISED EQ COMPONENTS INCORP ECO 48	TH	JC	9-28-93
E		INCORP PCR 61 CX39 WAS .012	TH	JGG	11-16-93
F		INCORP PCR 108 POT HOLES WERE .082	TH	JGG	1-11-94
G,H,J		INCORP ECO 122 REVISED RX71	TH	JGG	2-15-94
L		INCORP ECO'S: 189,272,307,381,452,545.	KR		8-22-95
M		INCORP ECO'S: 427,738,804,852.	KR	ES	9-12-96
S		INCORP ECO'S: 987,993.	KR		11-15-96
T	921	LARGE CORE SWITCHES			
	926	LARGE CORE BUTTONS			
	1223	AUTO INSERT LED'S TO .038 HOLE SIZE			
	1294	REMOVE MADE IN U.S.A. NOTE			
	1344	2903'S TO 2403 8-PIN SIP'S			
	1387	SNAP IN SWITCHES			
	1406	NO STEP SHAFT POTS			
	1410	SOLDER BRIDGE REDUCTION			
	1411	SCORE PANEL & ADD MATERIAL			
	1431	ALL SIP DECALS FROM 9-PIN TO 8-PIN			
	1454	8-PIN SIP 4560'S			
U	1489	INCORPORATE ECO'S: 921,926,987,993,1223,1294,1344,1387,1406,1410,1411,1431,1454.	KR		2-4-98



See page 9-4 for the schematic of the EQ module 990-016-00

CIRCUIT CONTAINED IN DASHED LINE IS FOR REFERENCE ONLY SEE SCHEMATIC 990-016-00

- Z101 706-033-01 STANDOFF, SWAGE, 4-40 X .542L
  - Z102 706-033-01 STANDOFF, SWAGE, 4-40 X .542L
  - Z103 706-033-01 STANDOFF, SWAGE, 4-40 X .542L
  - Z104 706-033-01 STANDOFF, SWAGE, 4-40 X .542L
  - Z105 706-033-01 STANDOFF, SWAGE, 4-40 X .542L
  - Z106 706-033-01 STANDOFF, SWAGE, 4-40 X .542L
  - Z107 706-033-01 STANDOFF, SWAGE, 4-40 X .542L
  - Z108 706-033-01 STANDOFF, SWAGE, 4-40 X .542L
  - Z109 706-033-01 STANDOFF, SWAGE, 4-40 X .542L
  - Z110 706-033-01 STANDOFF, SWAGE, 4-40 X .542L
  - Z111 706-033-01 STANDOFF, SWAGE, 4-40 X .542L
  - Z112 706-033-01 STANDOFF, SWAGE, 4-40 X .542L
  - Z113 706-033-01 STANDOFF, SWAGE, 4-40 X .542L
  - Z114 706-033-01 STANDOFF, SWAGE, 4-40 X .542L
  - Z115 706-033-01 STANDOFF, SWAGE, 4-40 X .542L
  - Z116 706-033-01 STANDOFF, SWAGE, 4-40 X .542L
  - Z117 706-033-01 STANDOFF, SWAGE, 4-40 X .542L
  - Z118 706-033-01 STANDOFF, SWAGE, 4-40 X .542L
  - Z119 706-033-01 STANDOFF, SWAGE, 4-40 X .542L
  - Z120 706-033-01 STANDOFF, SWAGE, 4-40 X .542L
  - Z121 706-033-01 STANDOFF, SWAGE, 4-40 X .542L
  - Z122 706-033-01 STANDOFF, SWAGE, 4-40 X .542L
  - Z123 706-033-01 STANDOFF, SWAGE, 4-40 X .542L
  - Z124 706-033-01 STANDOFF, SWAGE, 4-40 X .542L
- QTY
- 16 760-011-00 BTN 9X9MM LG CORE
  - 112 760-013-00 BTN 9X5MM LG CORE

UNLESS OTHERWISE SPECIFIED DIMENSIONS ARE IN INCHES TOLERANCES ARE: FRACTIONS: DECIMALS: ANGLES: ±.NA .XX ±.01 ±.NA .XXX ±.005

MATERIAL: SEE NOTES  
FINISH: SEE NOTES  
DO NOT SCALE DRAWING

APPROVALS	DATE
trh	7-9-93
CJ	7-9-93
NP ENG:	
MATERIAL: AR	7-9-93
MFG: CR	7-9-93
MFG ENG:	
ISSUED:	

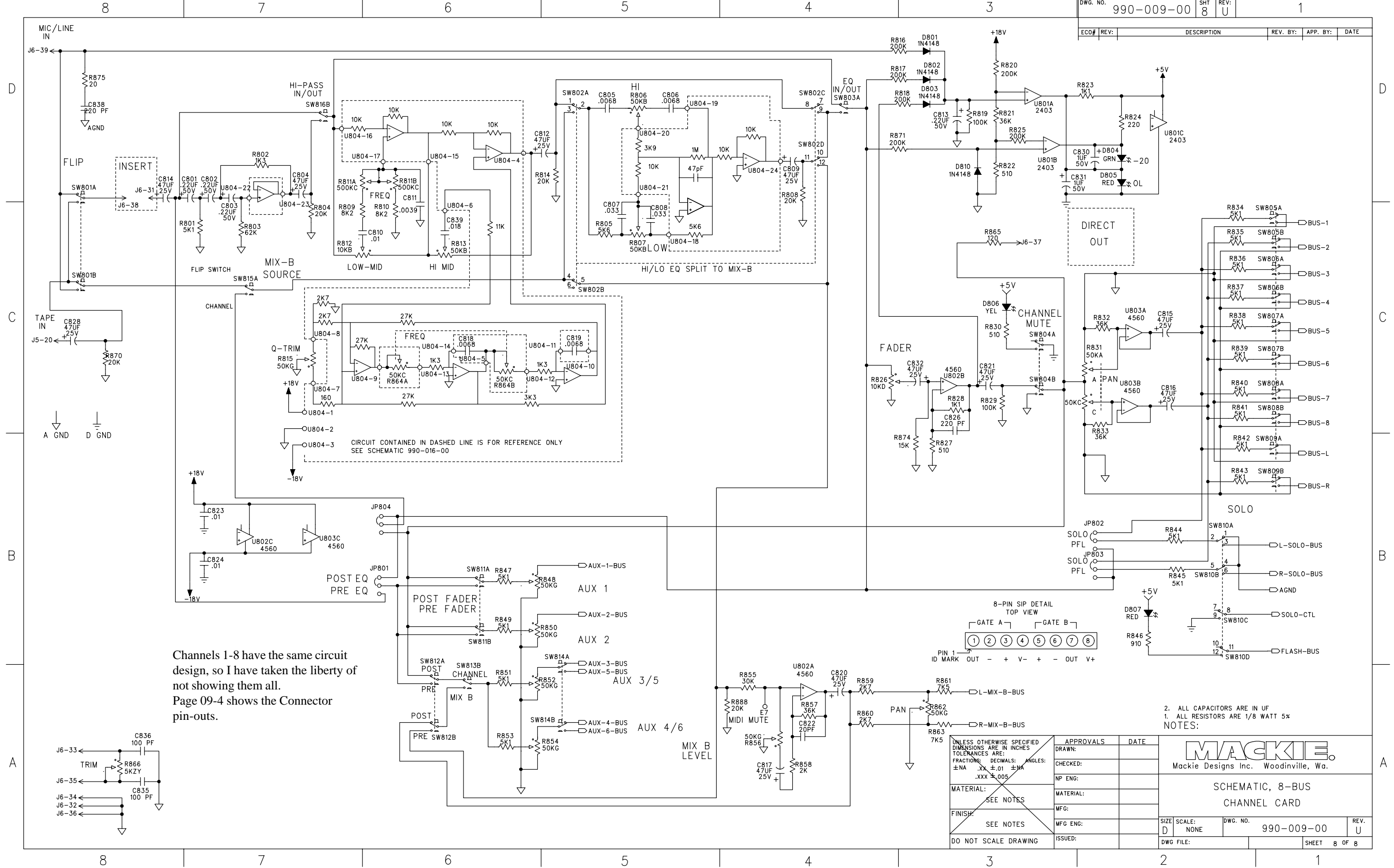
2. ALL CAPACITORS ARE IN UF  
1. ALL RESISTORS ARE 1/8 WATT 5x

NOTES:

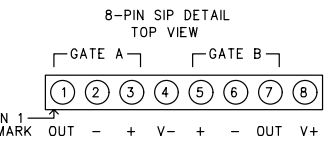
**MACKIE**  
Mackie Designs Inc. Woodinville, Wa.

SCHMATIC, 8-BUS CHANNEL CARD

SIZE SCALE: NONE DWG. NO. 990-009-00 REV. U  
DWG FILE: SHEET 1 OF 8



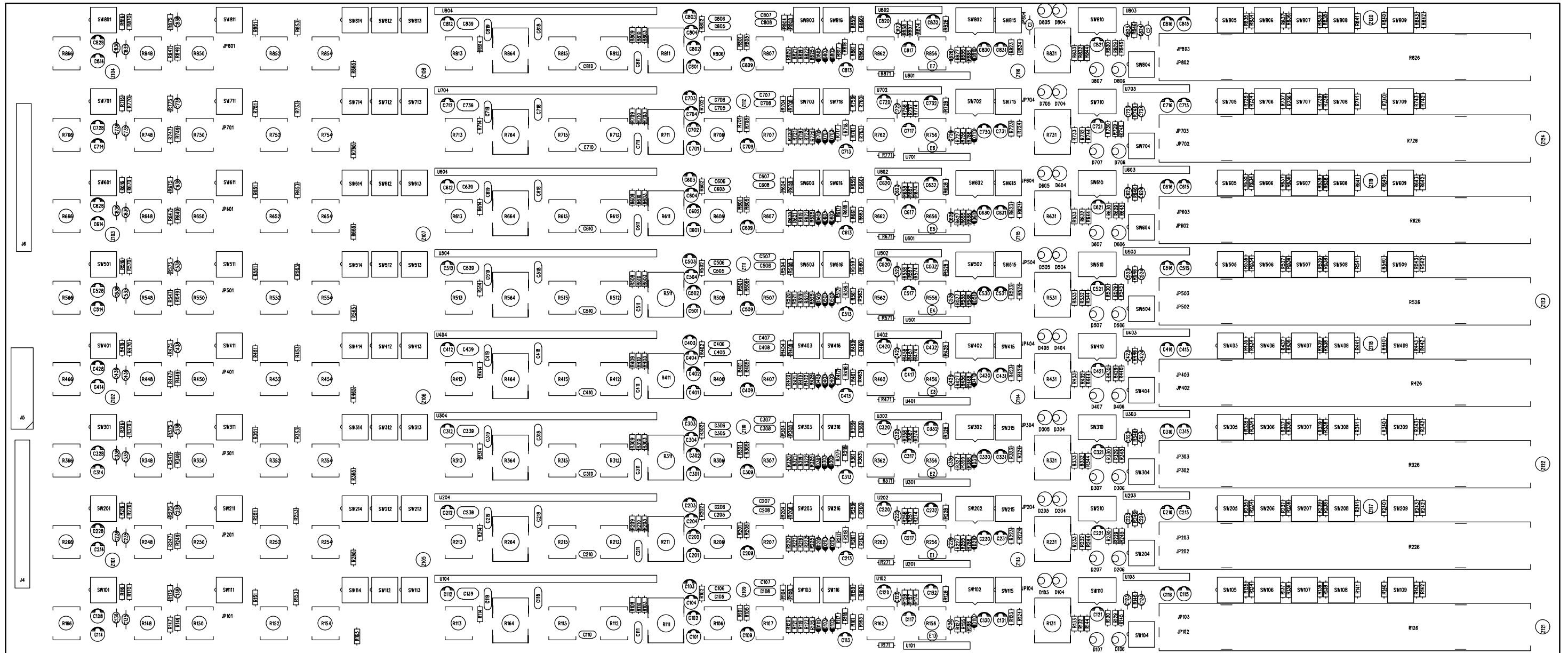
Channels 1-8 have the same circuit design, so I have taken the liberty of not showing them all. Page 09-4 shows the Connector pin-outs.



UNLESS OTHERWISE SPECIFIED DIMENSIONS ARE IN INCHES TOLERANCES ARE: FRACTIONS: DECIMALS: ANGLES: ±.NA .XX ±.01 ±.NA .XXX ±.005	APPROVALS	DATE
MATERIAL: SEE NOTES	DRAWN:	
FINISH: SEE NOTES	CHECKED:	
DO NOT SCALE DRAWING	NP ENG:	
	MATERIAL:	
	MFG:	
	MFG ENG:	
	ISSUED:	

2. ALL CAPACITORS ARE IN UF  
 1. ALL RESISTORS ARE 1/8 WATT 5%  
 NOTES:

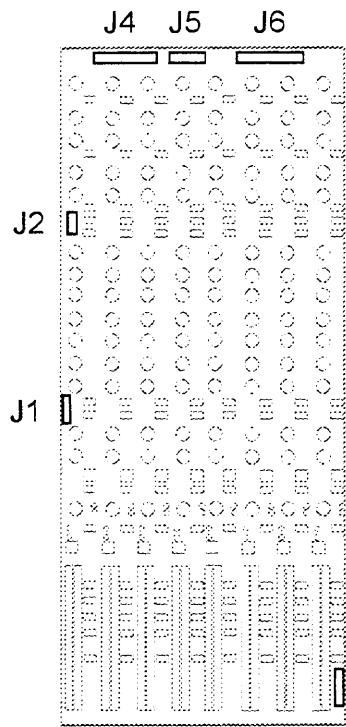
MACKIE. Mackie Designs Inc. Woodinville, Wa.	
SCHEMATIC, 8-BUS CHANNEL CARD	
SIZE: D	SCALE: NONE
DWG. NO. 990-009-00	REV. U
DWG FILE:	SHEET 8 OF 8



AGND	1	2	L-MIX-B-BUS
AGND	3	4	R-MIX-B-BUS
AGND	5	6	L-SOLO-BUS
AGND	7	8	R-SOLO-BUS
SOLO-CTL	9	10	FLASH-BUS
DGND	11	12	DGND
+5V	13	14	+5V

AUX-1-BUS	1	2	AGND
AUX-2-BUS	3	4	AGND
AUX-3-BUS	5	6	AGND
AUX-5-BUS	7	8	AGND
AUX-4-BUS	9	10	AUX-6-BUS

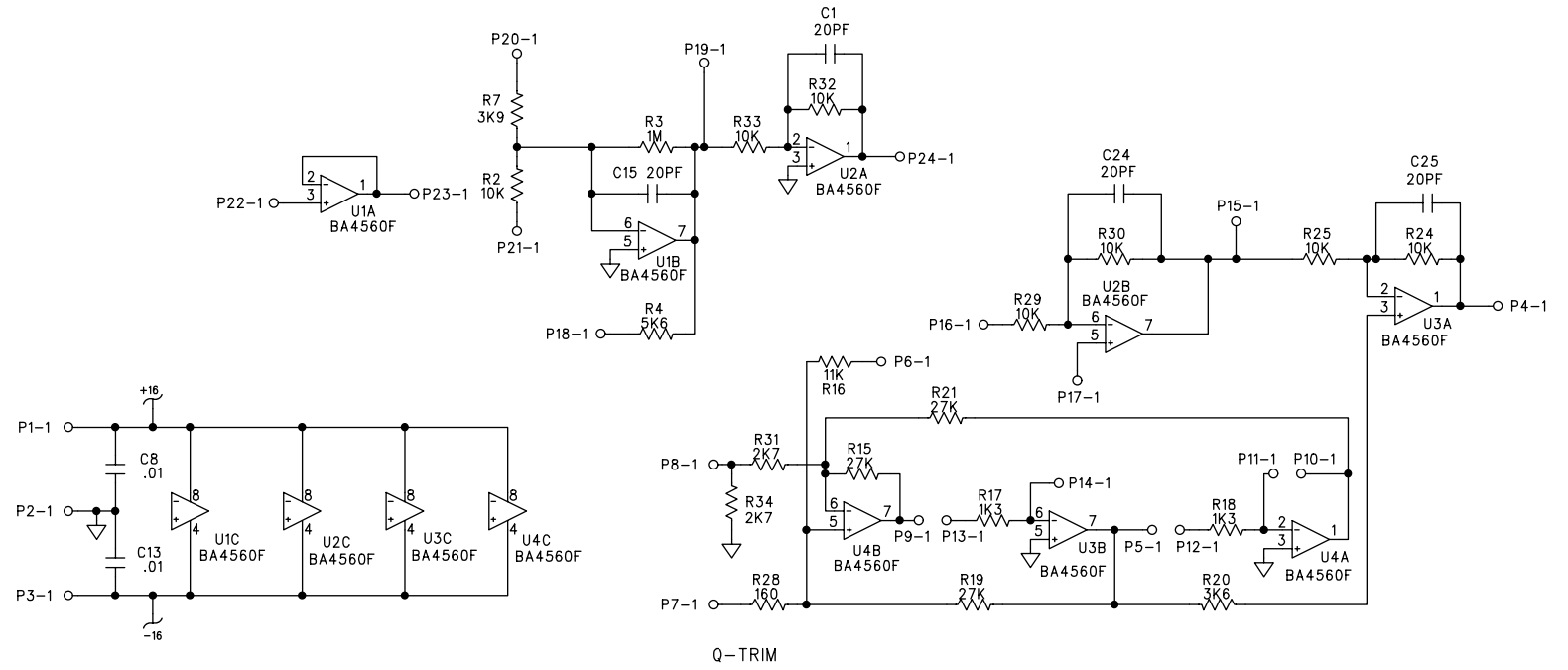
BUS-1	1	2	AGND
BUS-2	3	4	AGND
BUS-3	5	6	AGND
BUS-4	7	8	AGND
BUS-5	9	10	AGND
BUS-6	11	12	AGND
BUS-7	13	14	AGND
BUS-8	15	16	AGND
BUS-L	17	18	AGND
BUS-R	19	20	AGND



CHANNEL 1 INS RTN	1	2	CHANNEL 1 GND
CHANNEL 1 TRIM	3	4	CHANNEL 1 GND
CHANNEL 1 TRIM	5	6	CHANNEL 1 GND
CHANNEL 1 DI OUT	7	8	CHANNEL 1 INS SEND
CHANNEL 1 PRE OUT	9	10	+16V
CHANNEL 2 INS RTN	11	12	CHANNEL 2 GND
CHANNEL 2 TRIM	13	14	CHANNEL 2 GND
CHANNEL 2 TRIM	15	16	CHANNEL 2 GND
CHANNEL 2 DI OUT	17	18	CHANNEL 2 INS SEND
CHANNEL 2 PRE OUT	19	20	+16V
CHANNEL 3 INS RTN	21	22	CHANNEL 3 GND
CHANNEL 3 TRIM	23	24	CHANNEL 3 GND
CHANNEL 3 TRIM	25	26	CHANNEL 3 GND
CHANNEL 3 DI OUT	27	28	CHANNEL 3 INS SEND
CHANNEL 3 PRE OUT	29	30	+16V
CHANNEL 4 INS RTN	31	32	CHANNEL 4 GND
CHANNEL 4 TRIM	33	34	CHANNEL 4 GND
CHANNEL 4 TRIM	35	36	CHANNEL 4 GND
CHANNEL 4 DI OUT	37	38	CHANNEL 4 INS SEND
CHANNEL 4 PRE OUT	39	40	+16V

N/C	1	2	TAPE RTN 1
N/C	3	4	TAPE RTN 2
N/C	5	6	TAPE RTN 3
N/C	7	8	TAPE RTN 4
DGND	9	10	+5V
-16V	11	12	+16V
N/C	13	14	TAPE RTN 5
N/C	15	16	TAPE RTN 6
N/C	17	18	TAPE RTN 7
N/C	19	20	TAPE RTN 8

CHANNEL 5 INS RTN	1	2	CHANNEL 5 GND
CHANNEL 5 TRIM	3	4	CHANNEL 5 GND
CHANNEL 5 TRIM	5	6	CHANNEL 5 GND
CHANNEL 5 DI OUT	7	8	CHANNEL 5 INS SEND
CHANNEL 5 PRE OUT	9	10	-16V
CHANNEL 6 INS RTN	11	12	CHANNEL 6 GND
CHANNEL 6 TRIM	13	14	CHANNEL 6 GND
CHANNEL 6 TRIM	15	16	CHANNEL 6 GND
CHANNEL 6 DI OUT	17	18	CHANNEL 6 INS SEND
CHANNEL 6 PRE OUT	19	20	-16V
CHANNEL 7 INS RTN	21	22	CHANNEL 7 GND
CHANNEL 7 TRIM	23	24	CHANNEL 7 GND
CHANNEL 7 TRIM	25	26	CHANNEL 7 GND
CHANNEL 7 DI OUT	27	28	CHANNEL 7 INS SEND
CHANNEL 7 PRE OUT	29	30	-16V
CHANNEL 8 INS RTN	31	32	CHANNEL 8 GND
CHANNEL 8 TRIM	33	34	CHANNEL 8 GND
CHANNEL 8 TRIM	35	36	CHANNEL 8 GND
CHANNEL 8 DI OUT	37	38	CHANNEL 8 INS SEND
CHANNEL 8 PRE OUT	39	40	-16V



SCHEMATIC  
EQ MODULE  
990-016-00