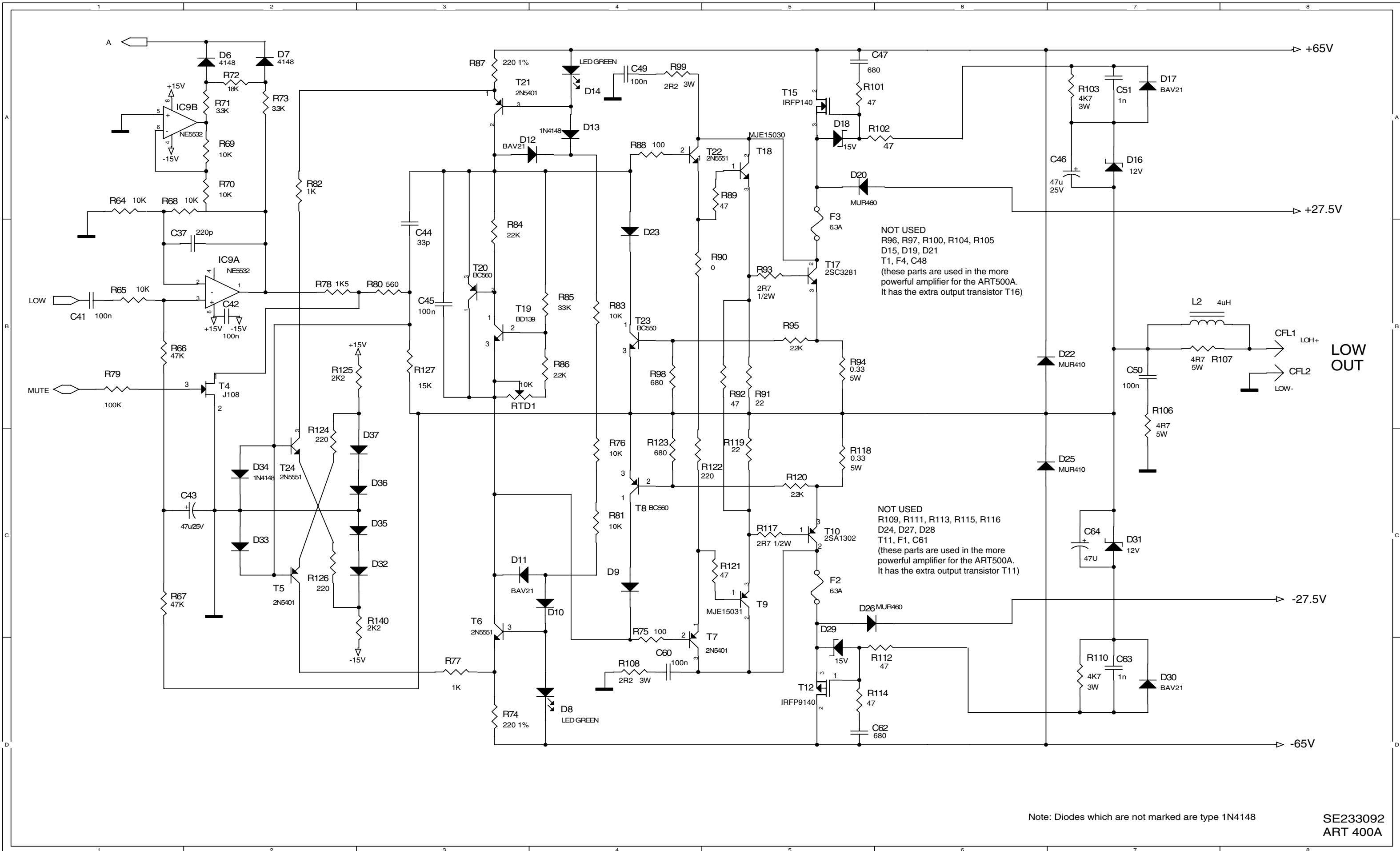
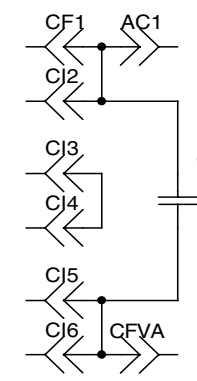


Note: Diodes which are not marked are type 1N4148  
 Note: Parts marked here with a question mark are not installed

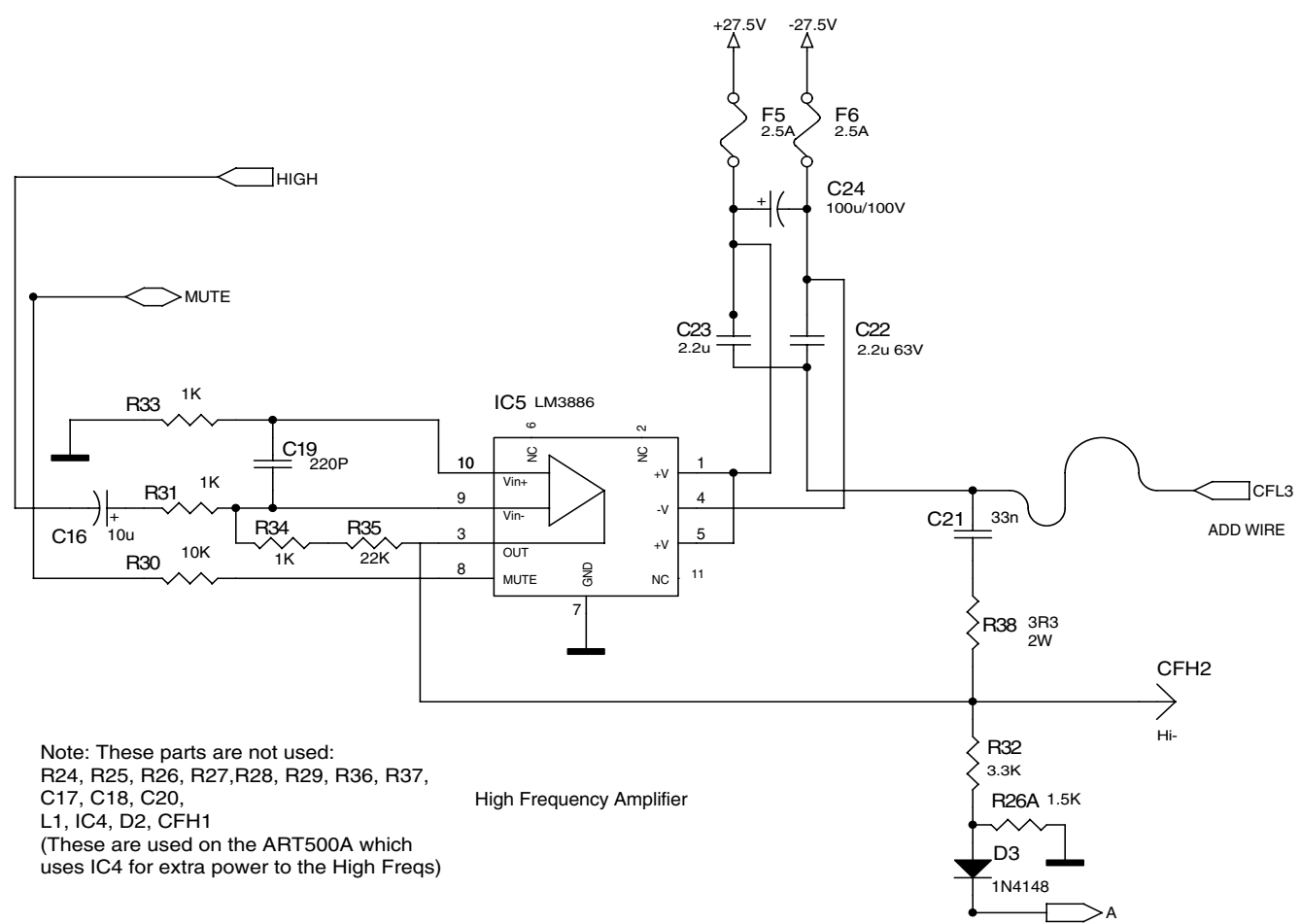
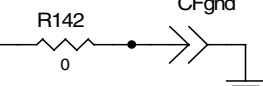
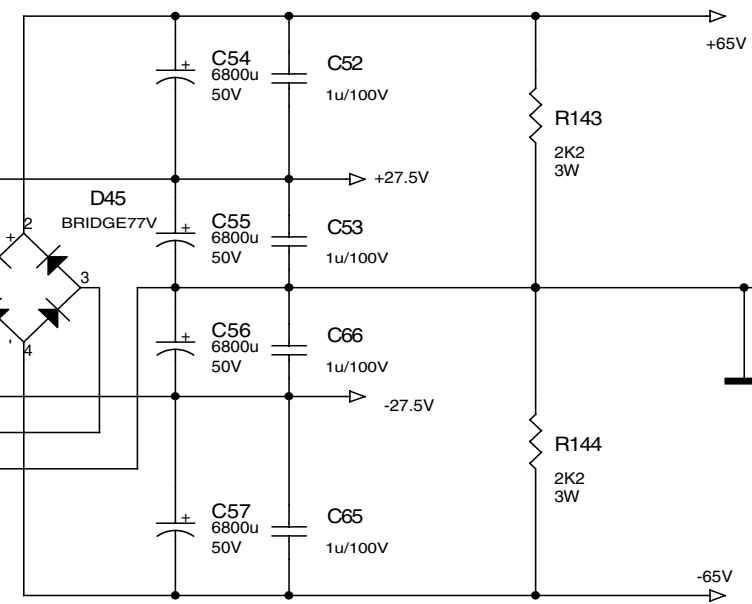
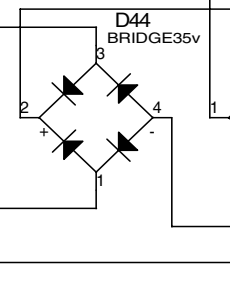
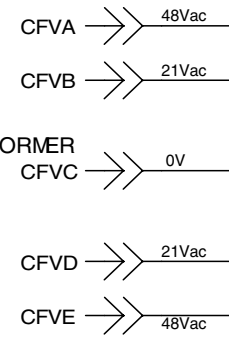
SE233092  
 ART400A



IN V AC  
115-230V

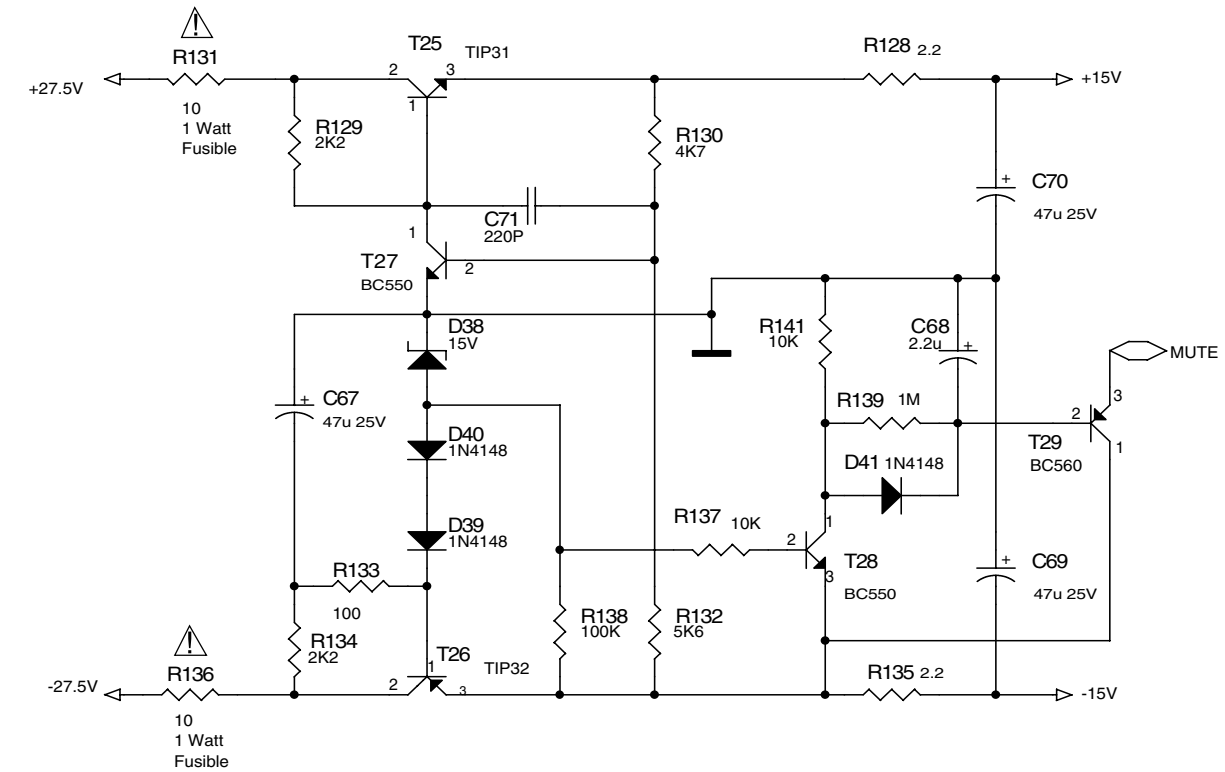


TO TRANSFORMER - FROM TRANSFORMER



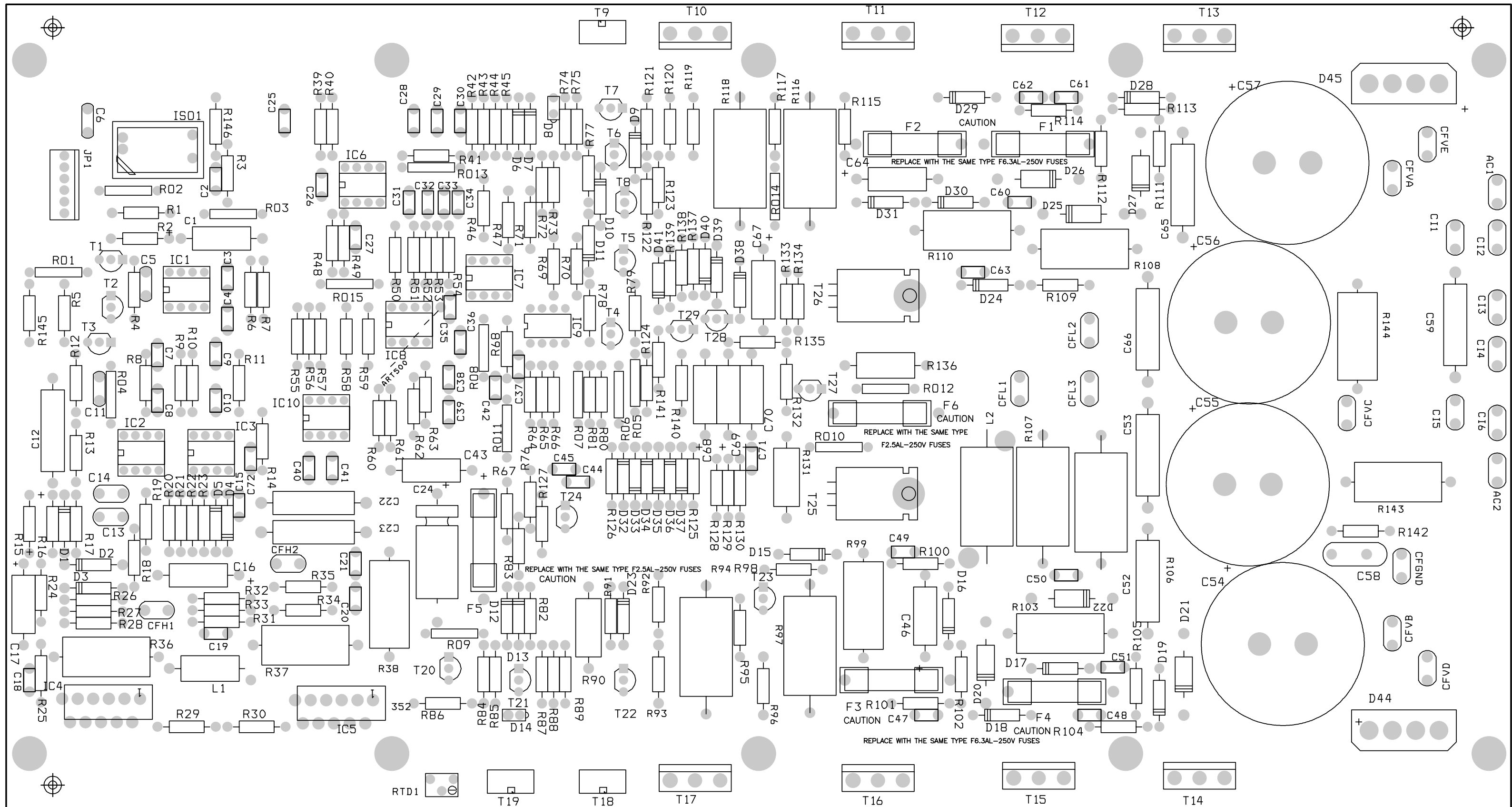
Note: These parts are not used:  
R24, R25, R26, R27, R28, R29, R36, R37,  
C17, C18, C20,  
L1, IC4, D2, CFH1  
(These are used on the ART500A which  
uses IC4 for extra power to the High Freqs)

High Frequency Amplifier



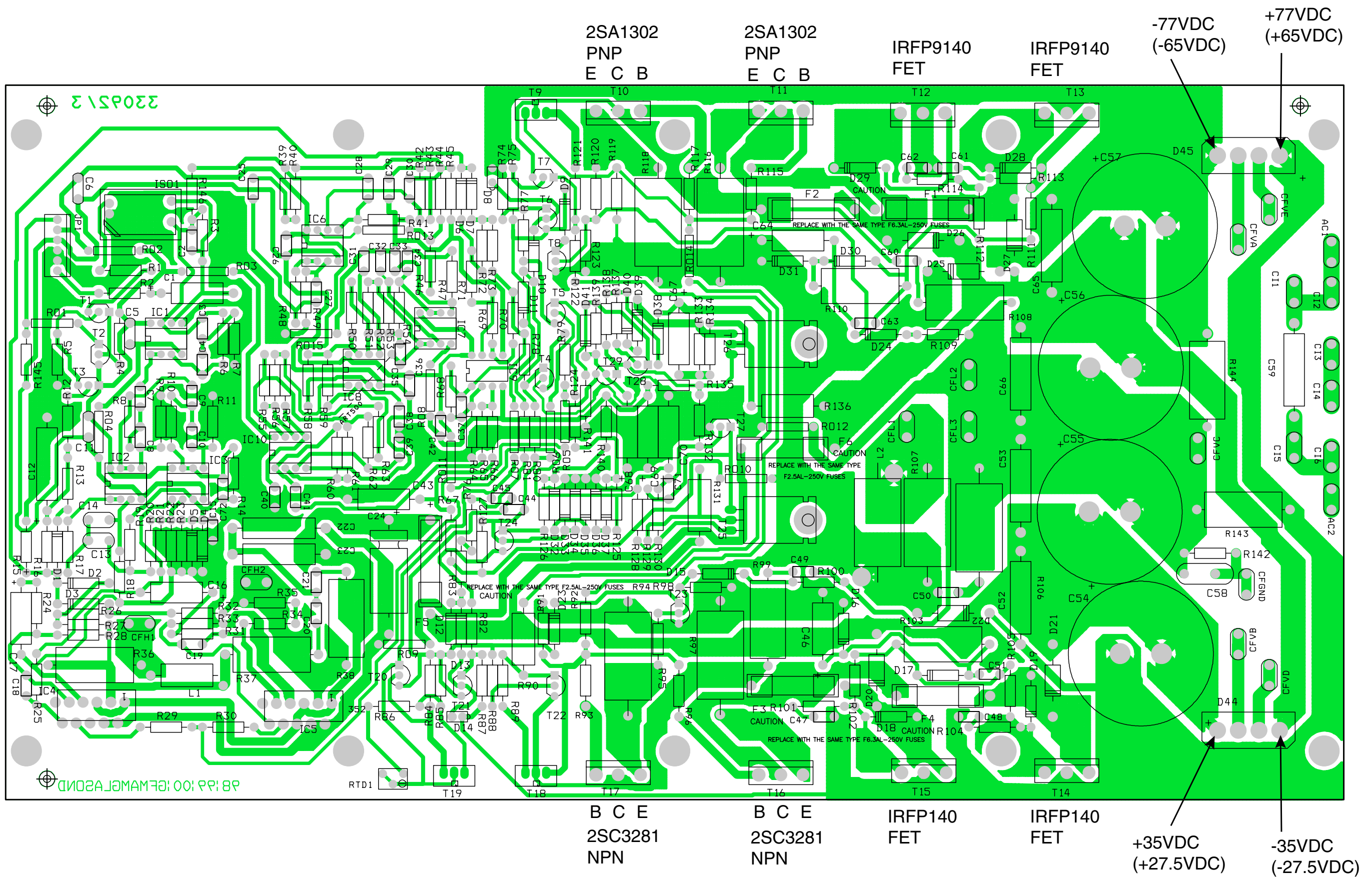
Note: Diodes which are not marked are type 1N4148  
Note: Parts marked here with a question mark are not installed

SE233092  
ART400A



Note: This is the same board as used in the more powerful ART500A, so not all parts are stuffed.  
 The ART400A uses one pair of output transistors for the Low Frequency Amplifier, the ART500A uses two pairs.  
 The ART400A uses one IC amplifier for the High Frequency Amplifier, the ART500A uses two.

32030390  
 33092/3



2SA1302  
PNP  
E C B

2SA1302  
PNP  
E C B

IRFP9140  
FET

IRFP9140  
FET

-77VDC  
(-65VDC)

+77VDC  
(+65VDC)

B C E  
2SC3281  
NPN

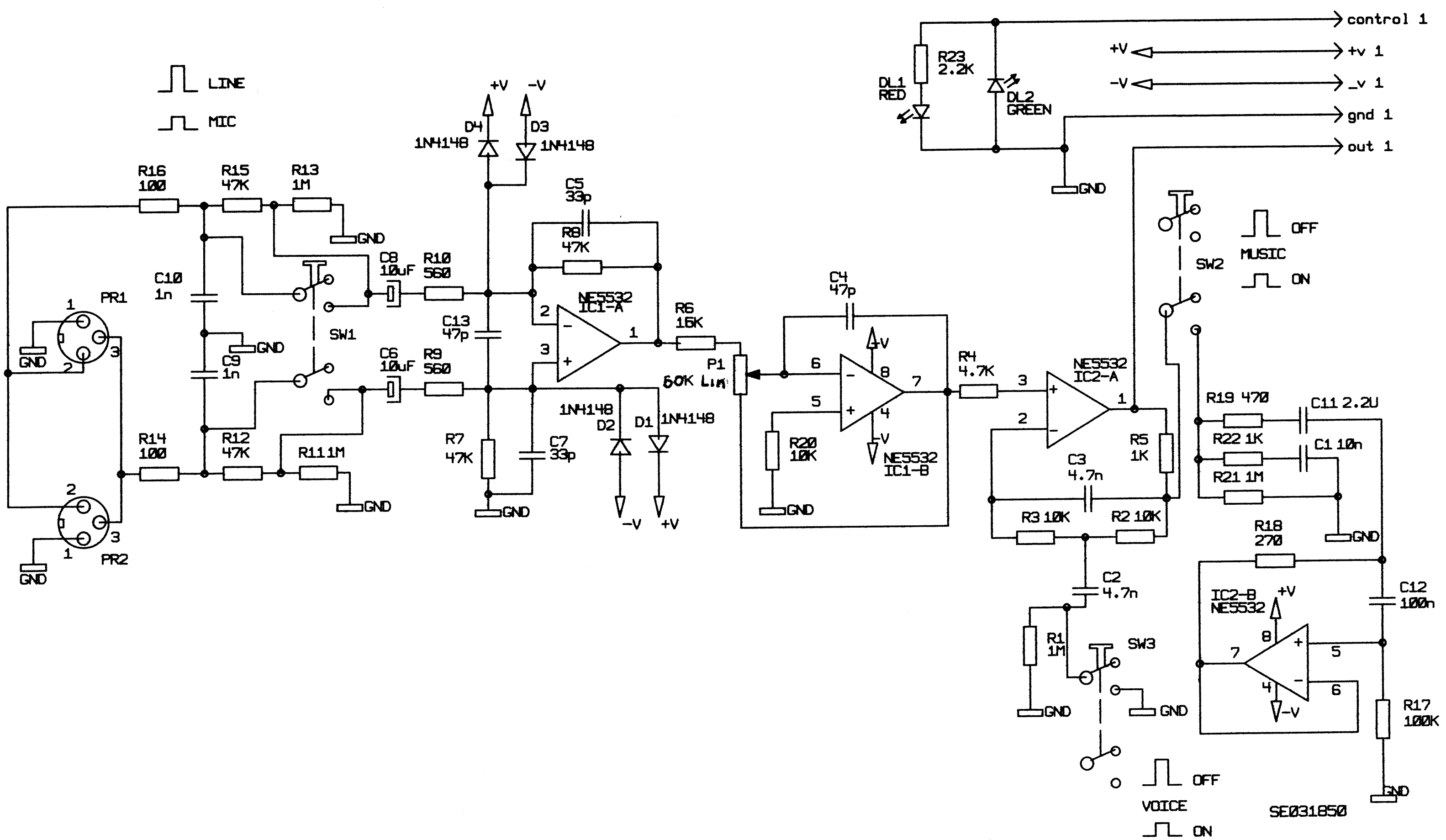
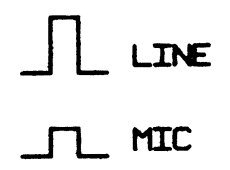
B C E  
2SC3281  
NPN

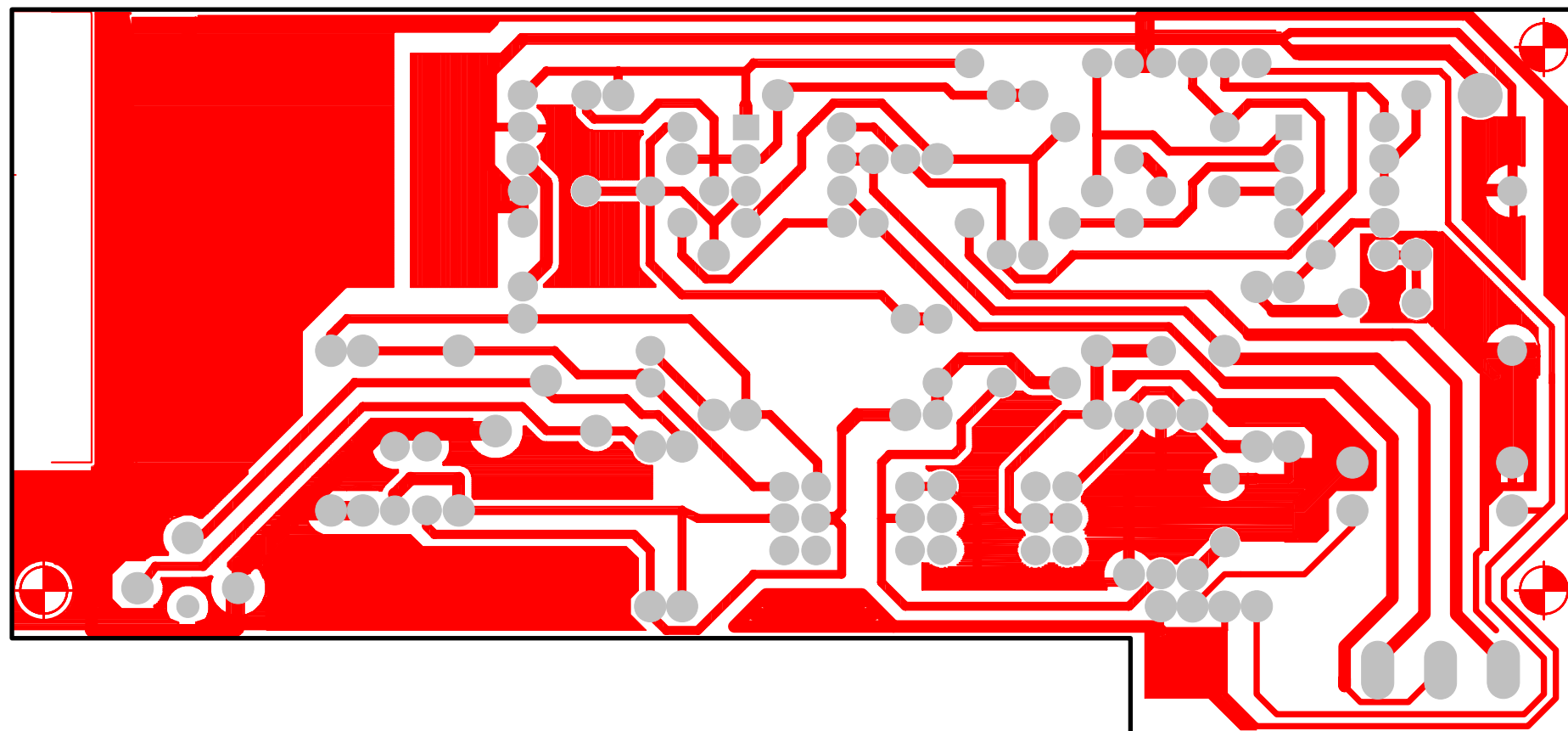
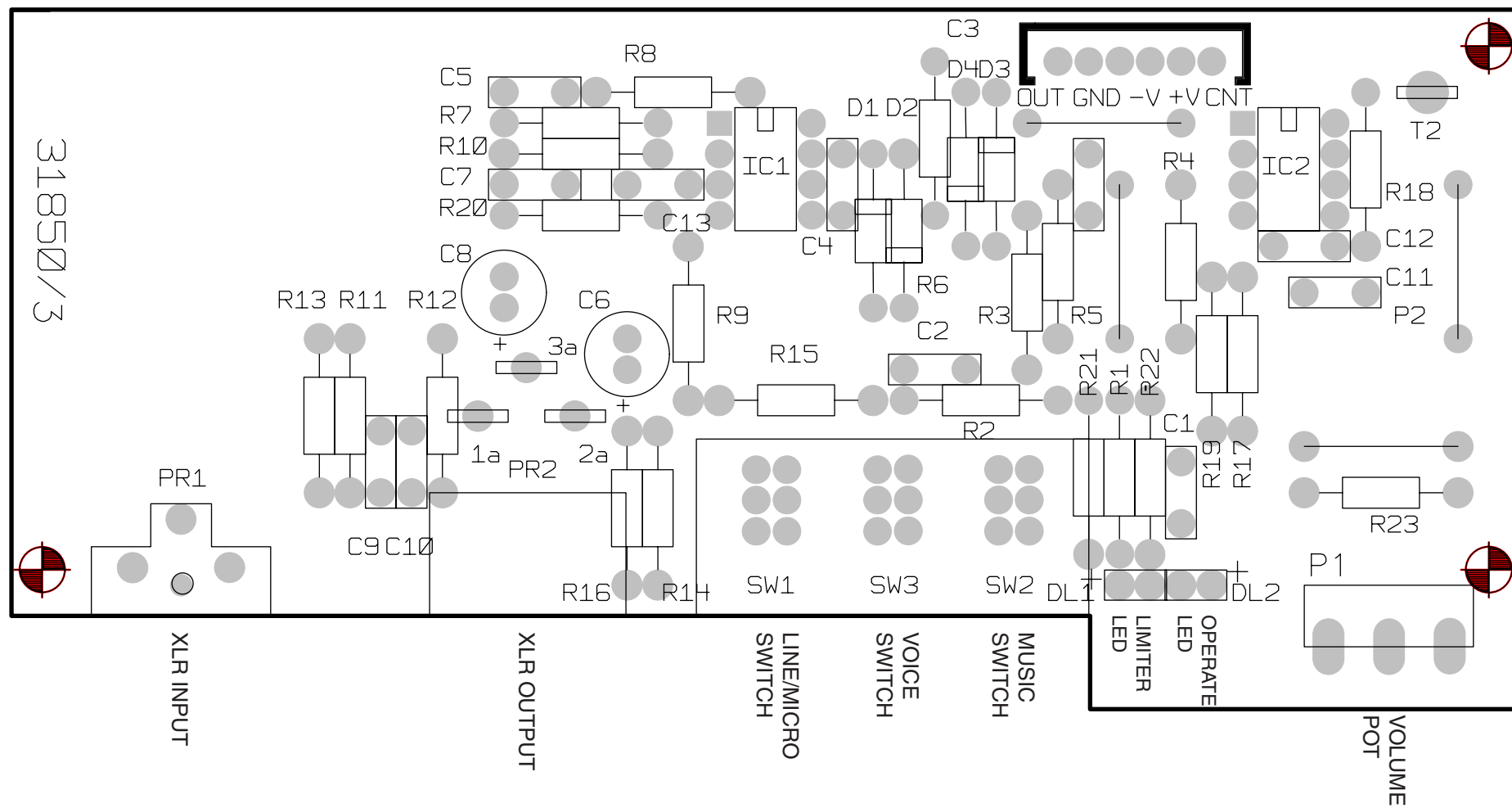
IRFP140  
FET

IRFP140  
FET

+35VDC  
(+27.5VDC)

-35VDC  
(-27.5VDC)





Note:  
The same input board is used on  
the ART300A, ART400A and  
ART500A.