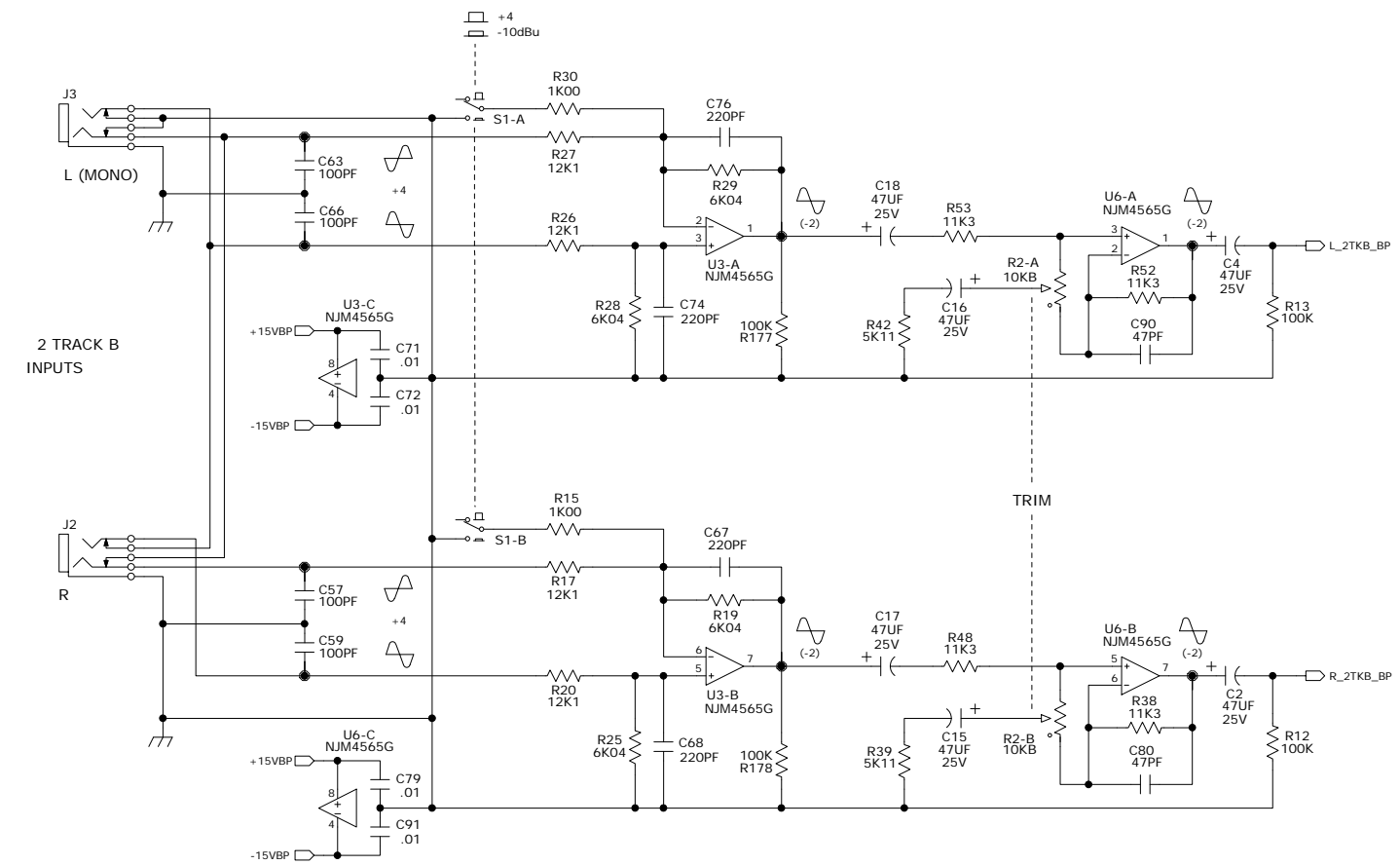


Input Z = 24K Balanced
Nominal Input +4dB

Av = -6 (+4 Setting) Max Input 28dB
Av = +8 (-10 Setting) Max Input 14dB

Av = -10 (Min)
10 (Max)
0 Center



Input Z = 24K Balanced
Nominal Input +4dB

Av = -6 (+4 Setting) Max Input 28dB
Av = +8 (-10 Setting) Max Input 14dB

Av = -10 (Min)
10 (Max)
0 Center

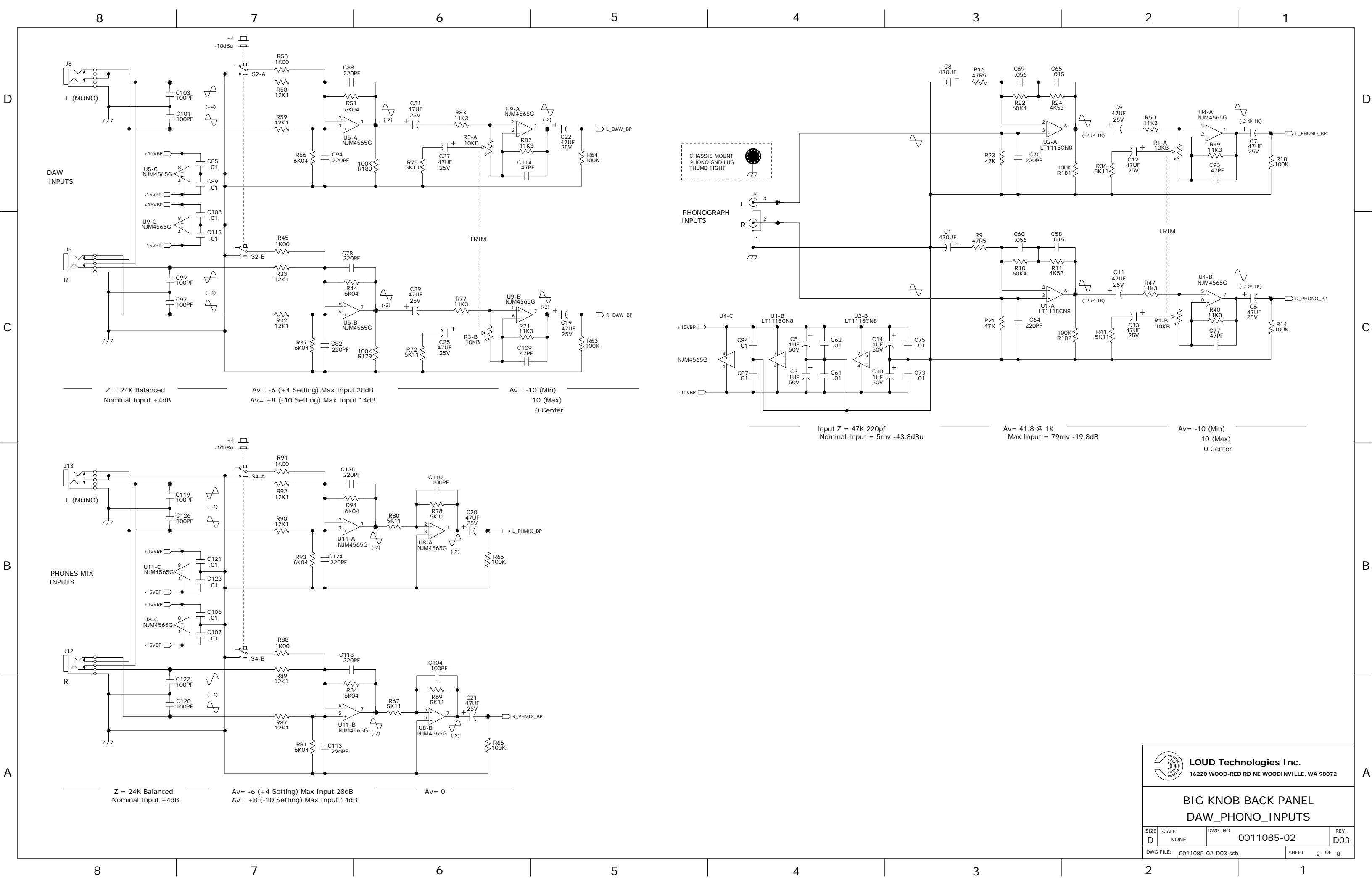
PCB, BIG KNOB MAIN
Z7 0011086-02

© 2013 LOUD TECHNOLOGIES INC.
ALL RIGHTS RESERVED
THE INFORMATION CONTAINED HEREIN
IS PROPRIETARY AND CONFIDENTIAL
PROPERTY OF LOUD TECHNOLOGIES INC.

APPROVALS	DATE
DRAWN: EE	8-25-04
CHECKED:	
NP ENG:	
MATERIAL:	
MFG:	
MFG ENG:	
ISSUED:	



BIG KNOB BACK PANEL			
SIZE: D	SCALE: NONE	DWG. NO. 0011085-02	REV. D03
DWG FILE: 0011085-02-D03.sch		SHEET 1 OF 8	



8

7

6

5

4

3

2

1

DAW
INPUTS

PHONES MIX
INPUTS

PHONOGRAPH
INPUTS

Z = 24K Balanced
Nominal Input +4dB

Av = -6 (+4 Setting) Max Input 28dB
Av = +8 (-10 Setting) Max Input 14dB

Av = -10 (Min)
10 (Max)
0 Center

Input Z = 47K 220pf
Nominal Input = 5mv -43.8dBu

Av = 41.8 @ 1K
Max Input = 79mv -19.8dB

Av = -10 (Min)
10 (Max)
0 Center

Z = 24K Balanced
Nominal Input +4dB

Av = -6 (+4 Setting) Max Input 28dB
Av = +8 (-10 Setting) Max Input 14dB

Av = 0

LOUD Technologies Inc.
16220 WOOD-RED RD NE WOODINVILLE, WA 98072

**BIG KNOB BACK PANEL
DAW_PHONO_INPUTS**

SIZE: D	SCALE: NONE	DWG. NO.: 0011085-02	REV. D03
DWG FILE: 0011085-02-D03.sch		SHEET 2 OF 8	

8

7

6

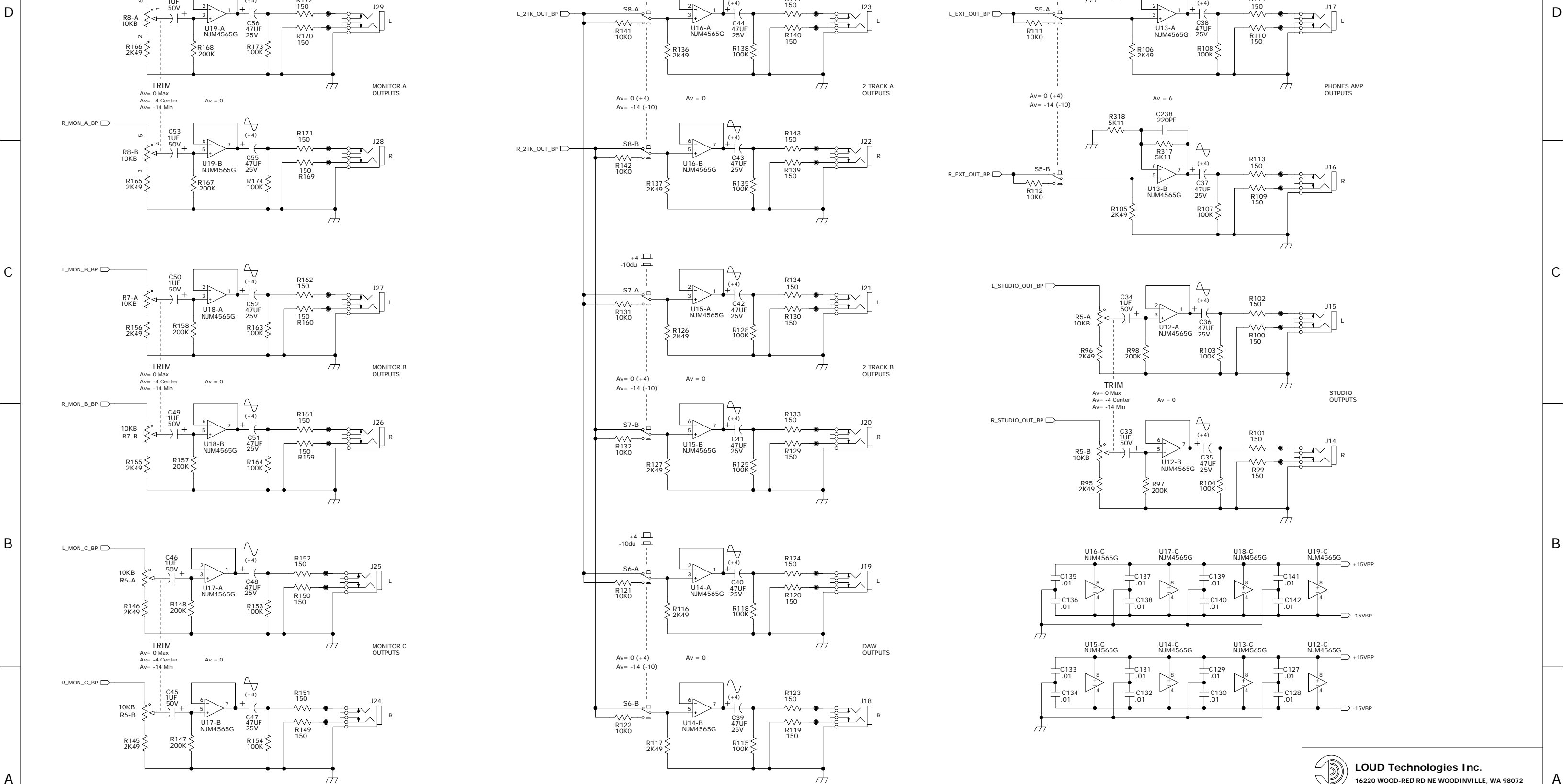
5

4

3

2

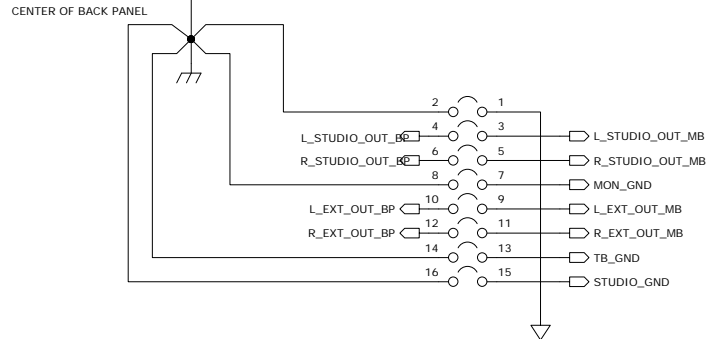
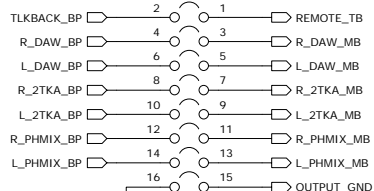
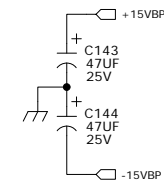
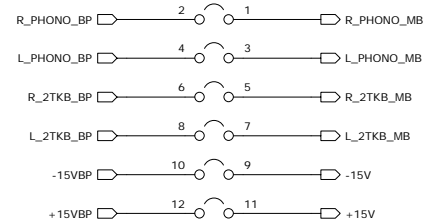
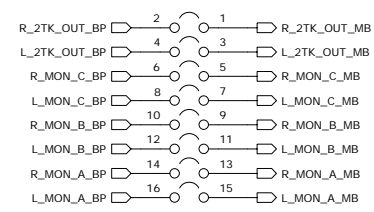
1



LOUD Technologies Inc.
16220 WOOD-RED RD NE WOODINVILLE, WA 98072

**BIG KNOB BACK PANEL
OUTPUTS**

SIZE: D	SCALE: NONE	DWG. NO.: 0011085-02	REV. D03
DWG FILE: 0011085-02-D03.sch		SHEET 3 OF 8	



- Z1 STDF NO.4 X .250L 706-038-00
- Z2 STDF NO.4 X .250L 706-038-00
- Z3 STDF NO.4 X .250L 706-038-00
- Z4 STDF NO.4 X .250L 706-038-00
- Z5 STDF NO.4 X .250L 706-038-00
- Z6 STDF NO.4 X .250L 706-038-00

- B9 MED RECTANGLE BUTTON 11.5 x 8.5 mm CONTROL GREY 0008794-02
- B10 MED RECTANGLE BUTTON 11.5 x 8.5 mm CONTROL GREY 0008794-02
- B11 MED RECTANGLE BUTTON 11.5 x 8.5 mm CONTROL GREY 0008794-02
- B12 MED RECTANGLE BUTTON 11.5 x 8.5 mm CONTROL GREY 0008794-02
- B13 MED RECTANGLE BUTTON 11.5 x 8.5 mm CONTROL GREY 0008794-02
- B14 MED RECTANGLE BUTTON 11.5 x 8.5 mm CONTROL GREY 0008794-02
- B15 MED RECTANGLE BUTTON 11.5 x 8.5 mm CONTROL GREY 0008794-02
- B16 MED RECTANGLE BUTTON 11.5 x 8.5 mm CONTROL GREY 0008794-02
- B17 MED RECTANGLE BUTTON 11.5 x 8.5 mm CONTROL GREY 0008794-02
- B18 MED RECTANGLE BUTTON 11.5 x 8.5 mm CONTROL GREY 0008794-02
- B19 MED RECTANGLE BUTTON 11.5 x 8.5 mm CONTROL GREY 0008794-02
- B20 MED RECTANGLE BUTTON 11.5 x 8.5 mm CONTROL GREY 0008794-02
- B21 MED RECTANGLE BUTTON 11.5 x 8.5 mm CONTROL GREY 0008794-02

- B1 Long Shaft SM RECTANGLE BUTTON 5x7mm CONTROL GRAY 0009210-01
- B2 Long Shaft SM RECTANGLE BUTTON 5x7mm CONTROL GRAY 0009210-01
- B3 Long Shaft SM RECTANGLE BUTTON 5x7mm CONTROL GRAY 0009210-01
- B4 Long Shaft SM RECTANGLE BUTTON 5x7mm CONTROL GRAY 0009210-01
- B5 Long Shaft SM RECTANGLE BUTTON 5x7mm CONTROL GRAY 0009210-01
- B6 Long Shaft SM RECTANGLE BUTTON 5x7mm CONTROL GRAY 0009210-01
- B7 Long Shaft SM RECTANGLE BUTTON 5x7mm CONTROL GRAY 0009210-01
- B8 Long Shaft SM RECTANGLE BUTTON 5x7mm CONTROL GRAY 0009210-01

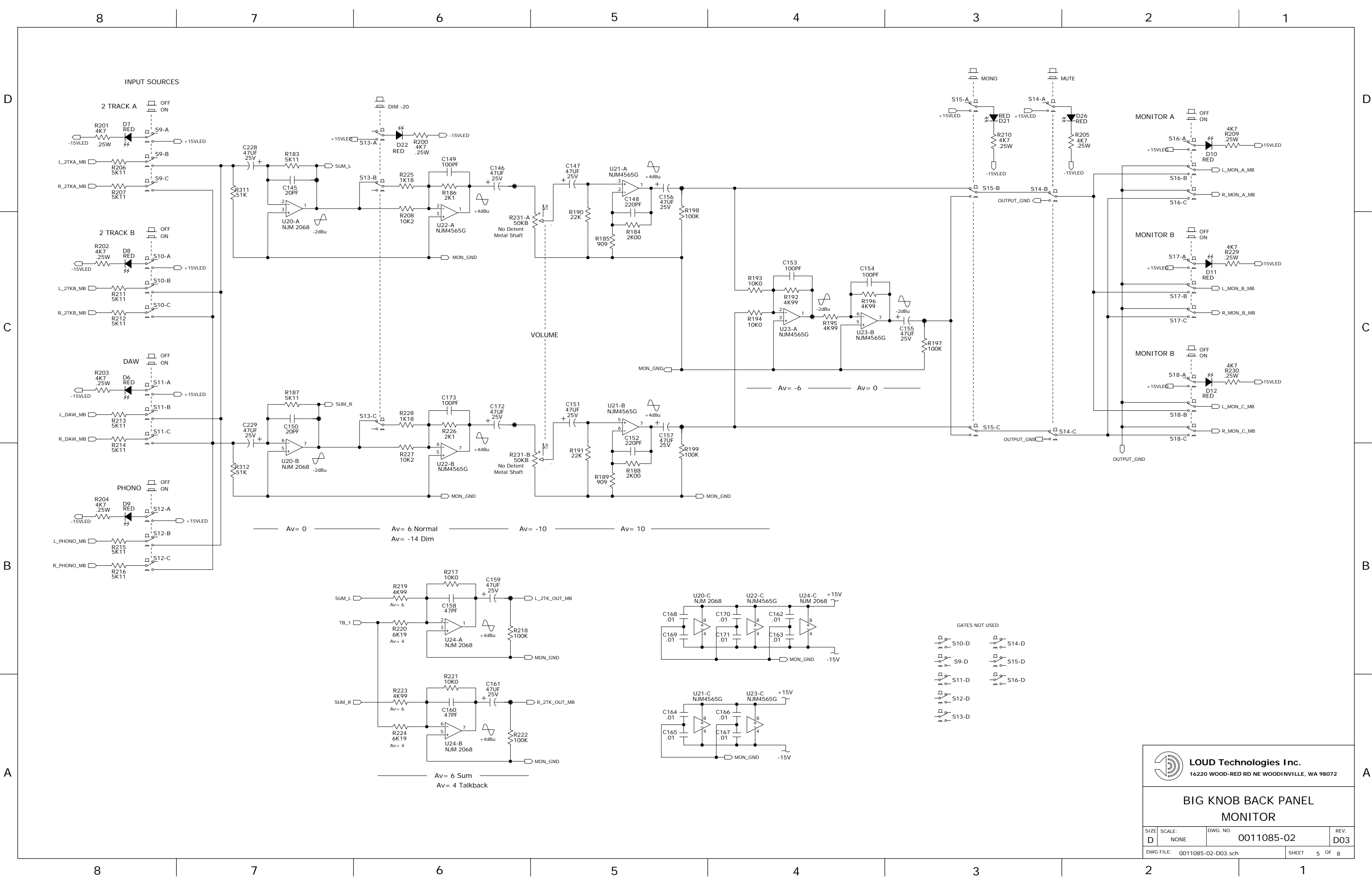
- SO4 STDF SWAGE NO.4 X .542L F
- SO1 STDF SWAGE NO.4 X .542L F
- SO6 STDF SWAGE NO.4 X .542L F
- SO8 STDF SWAGE NO.4 X .542L F
- SO9 STDF SWAGE NO.4 X .542L F
- SO10 STDF SWAGE NO.4 X .542L F
- SO11 STDF SWAGE NO.4 X .542L F
- SO12 STDF SWAGE NO.4 X .542L F
- SO7 STDF SWAGE NO.4 X .542L F
- SO3 STDF SWAGE NO.4 X .542L F
- SO5 STDF SWAGE NO.4 X .542L F
- SO2 STDF SWAGE NO.4 X .542L F

SCH1 0011085-XX SCHEMATIC BIG KNOB MAIN



BIG KNOB BACK PANEL CONNECTORS

SIZE	SCALE	DWG. NO.	REV.
D	NONE	0011085-02	D03
DWG FILE: 0011085-02-D03.sch			SHEET 4 OF 8



LOUD Technologies Inc.
 16220 WOOD-RED RD NE WOODINVILLE, WA 98072

**BIG KNOB BACK PANEL
 MONITOR**

SIZE: D	SCALE: NONE	DWG. NO.: 0011085-02	REV. D03
DWG FILE: 0011085-02-D03.sch		SHEET 5 OF 8	

D

D

C

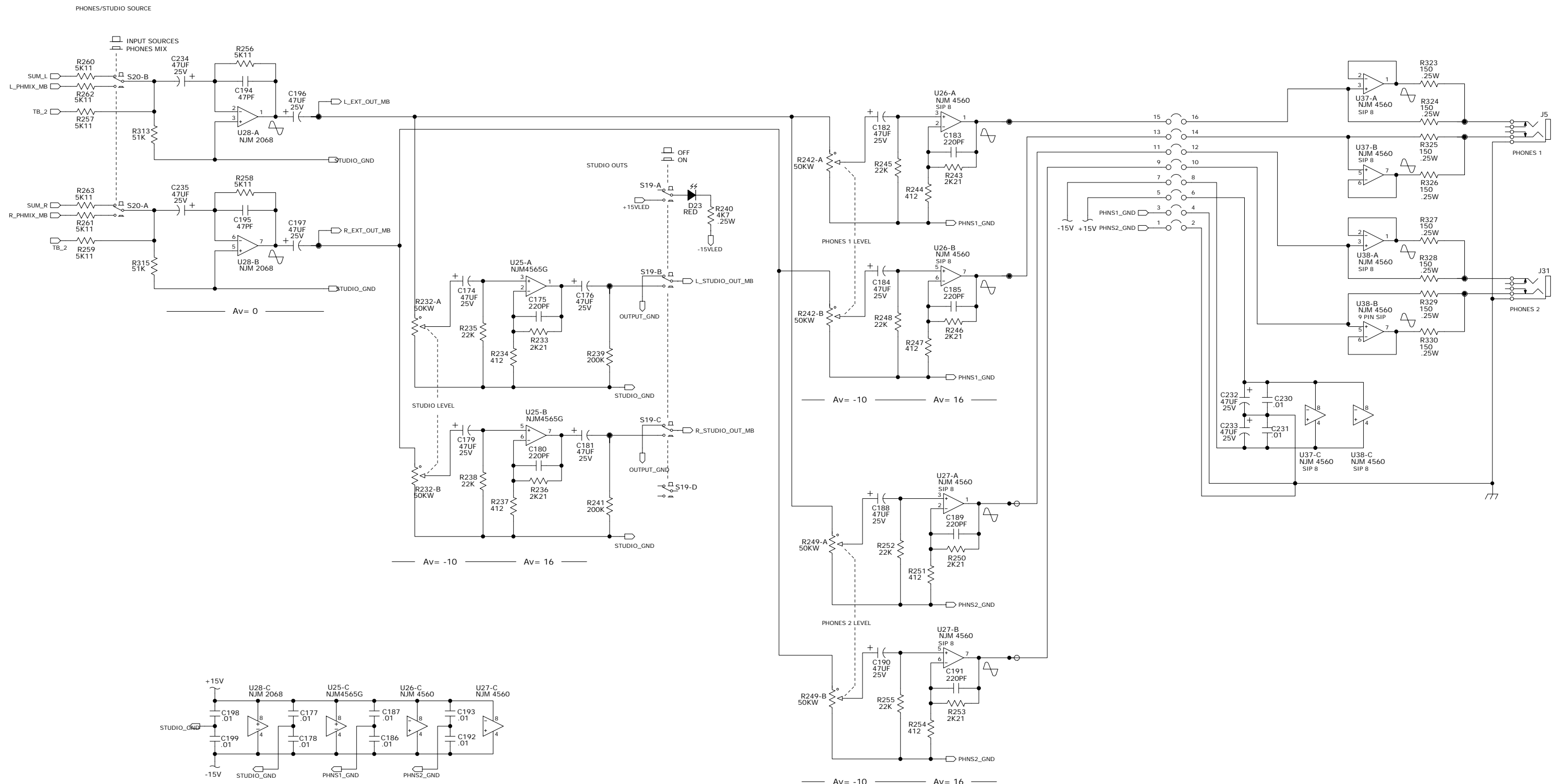
C

B

B

A

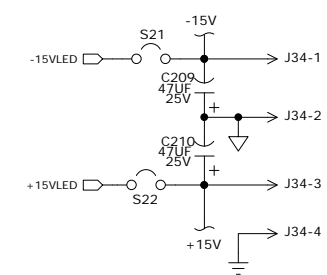
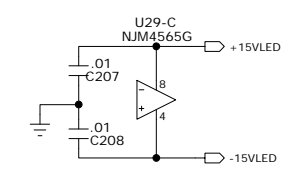
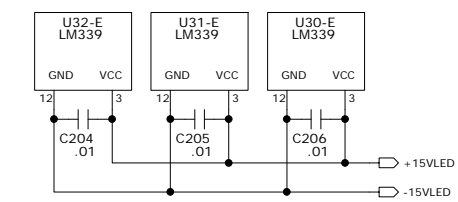
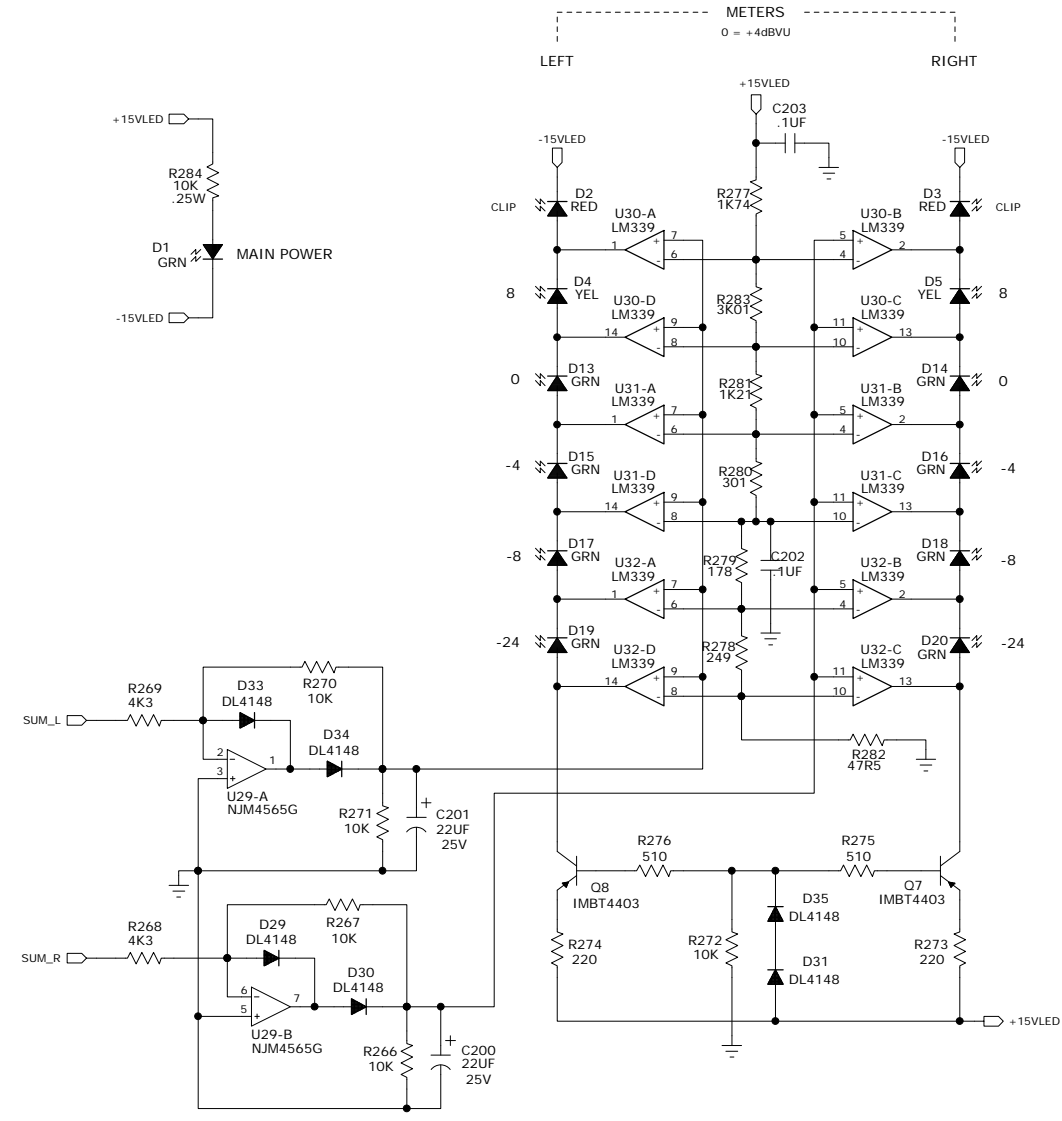
A



LOUD Technologies Inc.
 16220 WOOD-RED RD NE WOODINVILLE, WA 98072

BIG KNOB BACK PANEL
STUDIO_PHONES

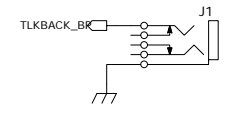
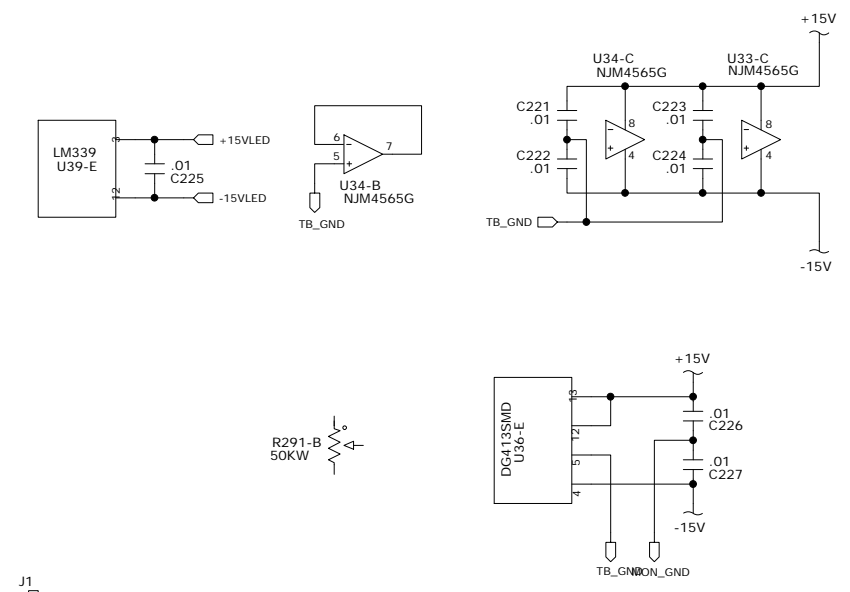
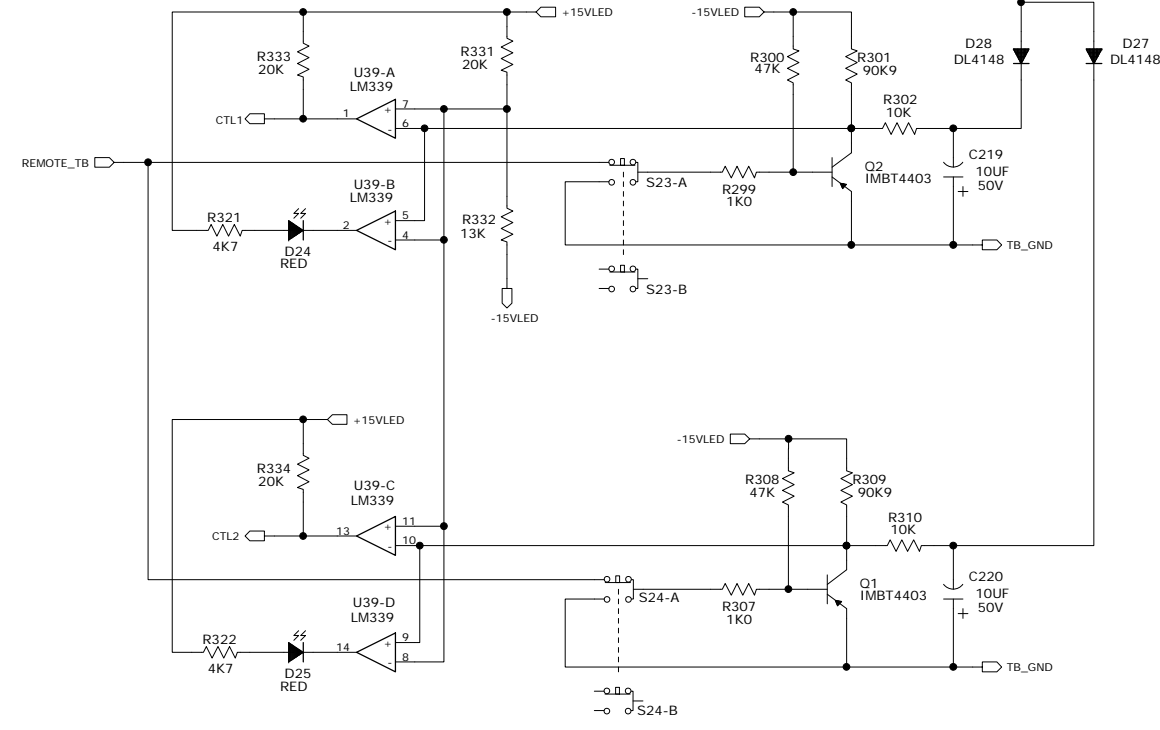
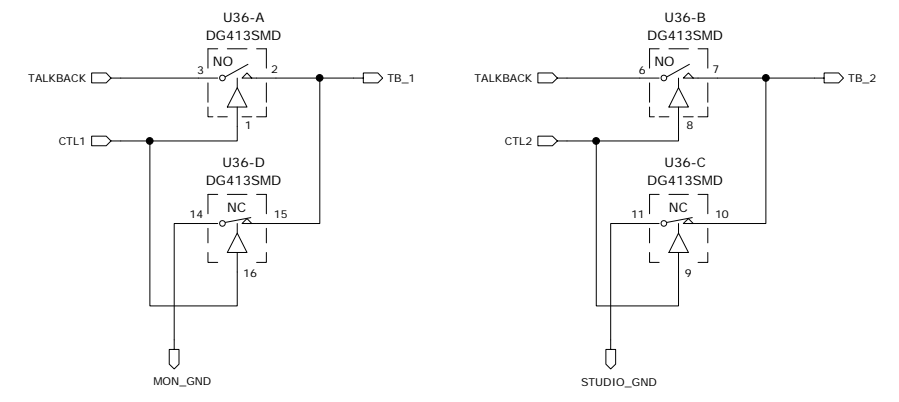
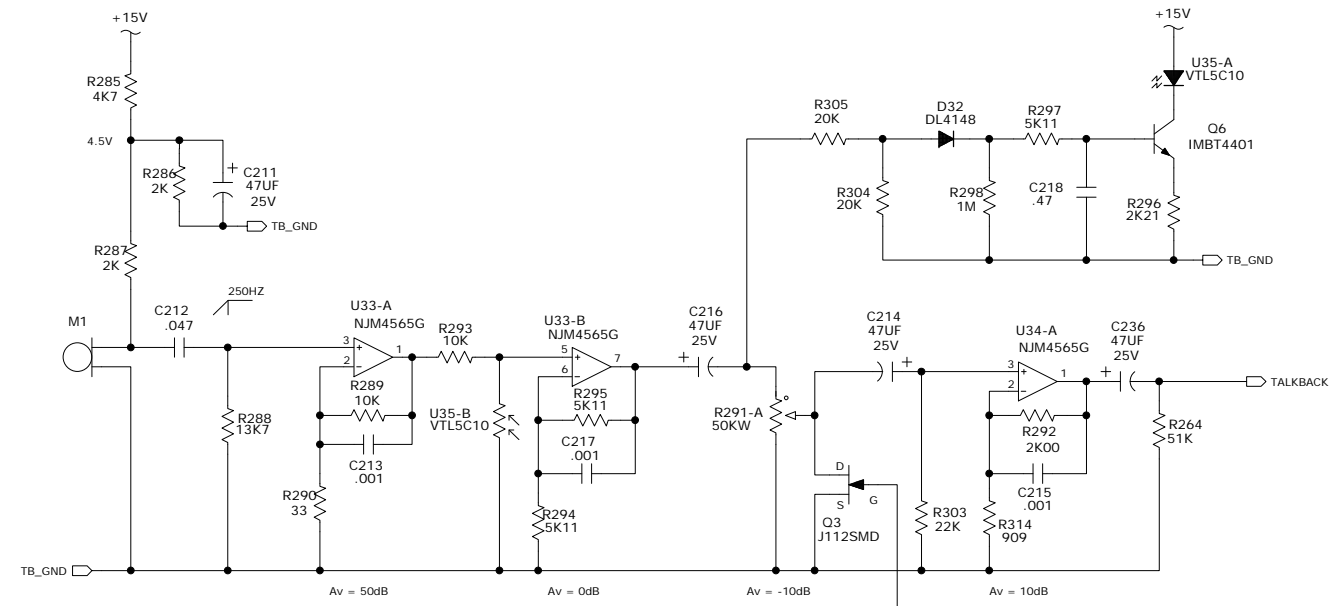
SIZE: D	SCALE: NONE	DWG. NO.: 0011085-02	REV. D03
DWG FILE: 0011085-02-D03.sch		SHEET 6 OF 8	



LOUD Technologies Inc.
 16220 WOOD-RED RD NE WOODINVILLE, WA 98072

BIG KNOB BACK PANEL
METERS_CONNECTORS

SIZE D	SCALE NONE	DWG. NO. 0011085-02	REV. D03
DWG FILE: 0011085-02-D03.sch			SHEET 7 OF 8



LOUD Technologies Inc.
 16220 WOOD-RED RD NE WOODINVILLE, WA 98072

**BIG KNOB BACK PANEL
 TALKBACK**

SIZE D	SCALE NONE	DWG. NO. 0011085-02	REV. D03
DWG FILE: 0011085-02-D03.sch			SHEET 8 OF 8