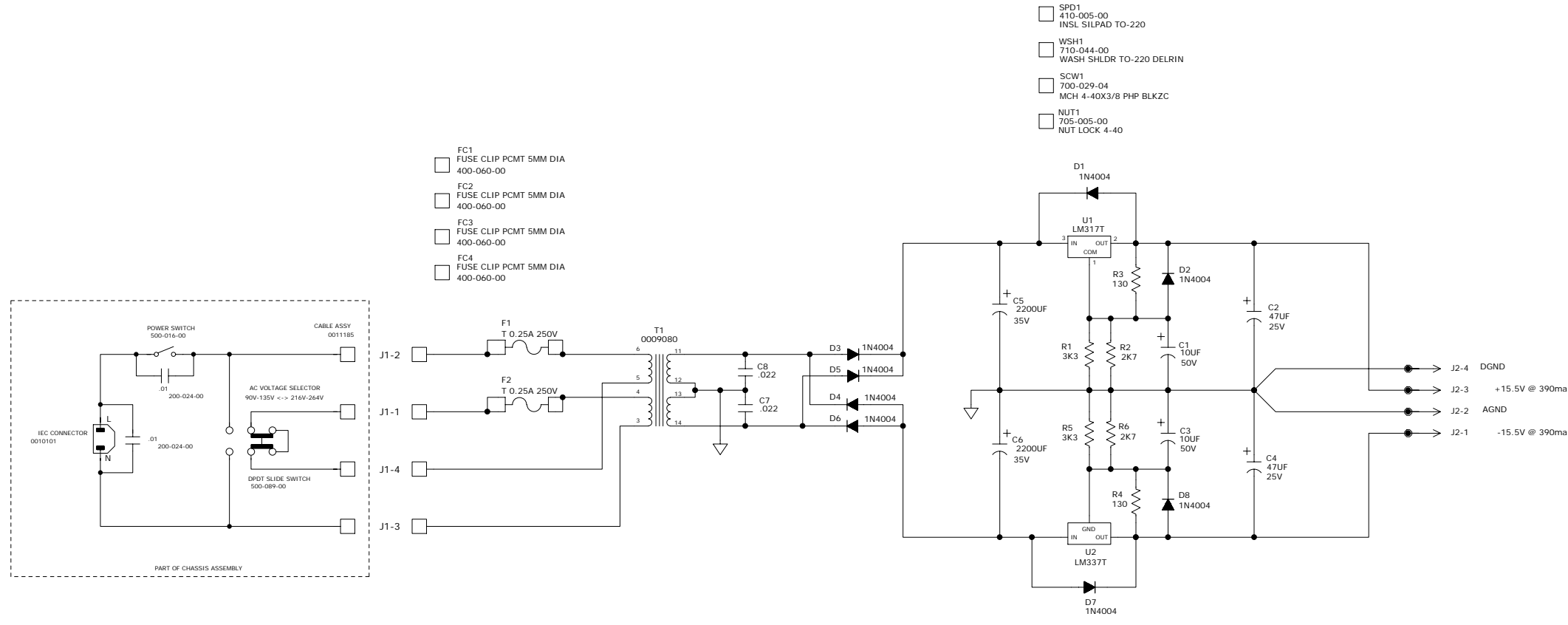


ECO#	REV.	DESCRIPTION	REV. BY:	APP. BY:	DATE



- FC1 FUSE CLIP PCMT 5MM DIA 400-060-00
- FC2 FUSE CLIP PCMT 5MM DIA 400-060-00
- FC3 FUSE CLIP PCMT 5MM DIA 400-060-00
- FC4 FUSE CLIP PCMT 5MM DIA 400-060-00

- SPD1 410-005-00 INSL SILPAD TO-220
- WSH1 710-044-00 WASH SHLDR TO-220 DELRIN
- SCW1 700-029-04 MCH 4-40X3/8 PHP BLKZC
- NUT1 705-005-00 NUT LOCK 4-40

- SPD2 410-005-00 INSL SILPAD TO-220
- WSH2 710-044-00 WASH SHLDR TO-220 DELRIN
- SCW2 700-029-04 MCH 4-40X3/8 PHP BLKZC
- NUT2 705-005-00 NUT LOCK 4-40
- HS1 0009496 HEATSINK BIG KNOB POWER SUPPLY

- SCH1
- PCB1 0008230-03 PCB FAB BIG KNOB PWR SUP
- PR1 D00132 PCB TEST PROCEDURE
- SCW4 2037151-08 SCR THR-ROLL 4-18B M4 X 8MM PNH PHIL STL BLKZC

APPROVALS	DATE	MACKIE.			
DRAWN: EE	4-7-04	<b>BIG KNOB 25W POWER SUPPLY</b>			
CHECKED:					
NP ENG:					
MATERIAL:					
MFG:					
MFG ENG:		SIZE: D	SCALE: NONE	DWG. NO. 0008229-01	REV. D00
ISSUED:		DWG. FILE:		SHEET 1 OF 1	

© 2004 LOUD TECHNOLOGIES INC.  
ALL RIGHTS RESERVED  
THE INFORMATION CONTAINED HEREIN  
IS PROPRIETARY AND CONFIDENTIAL  
PROPERTY OF MACKIE DESIGNS INC.