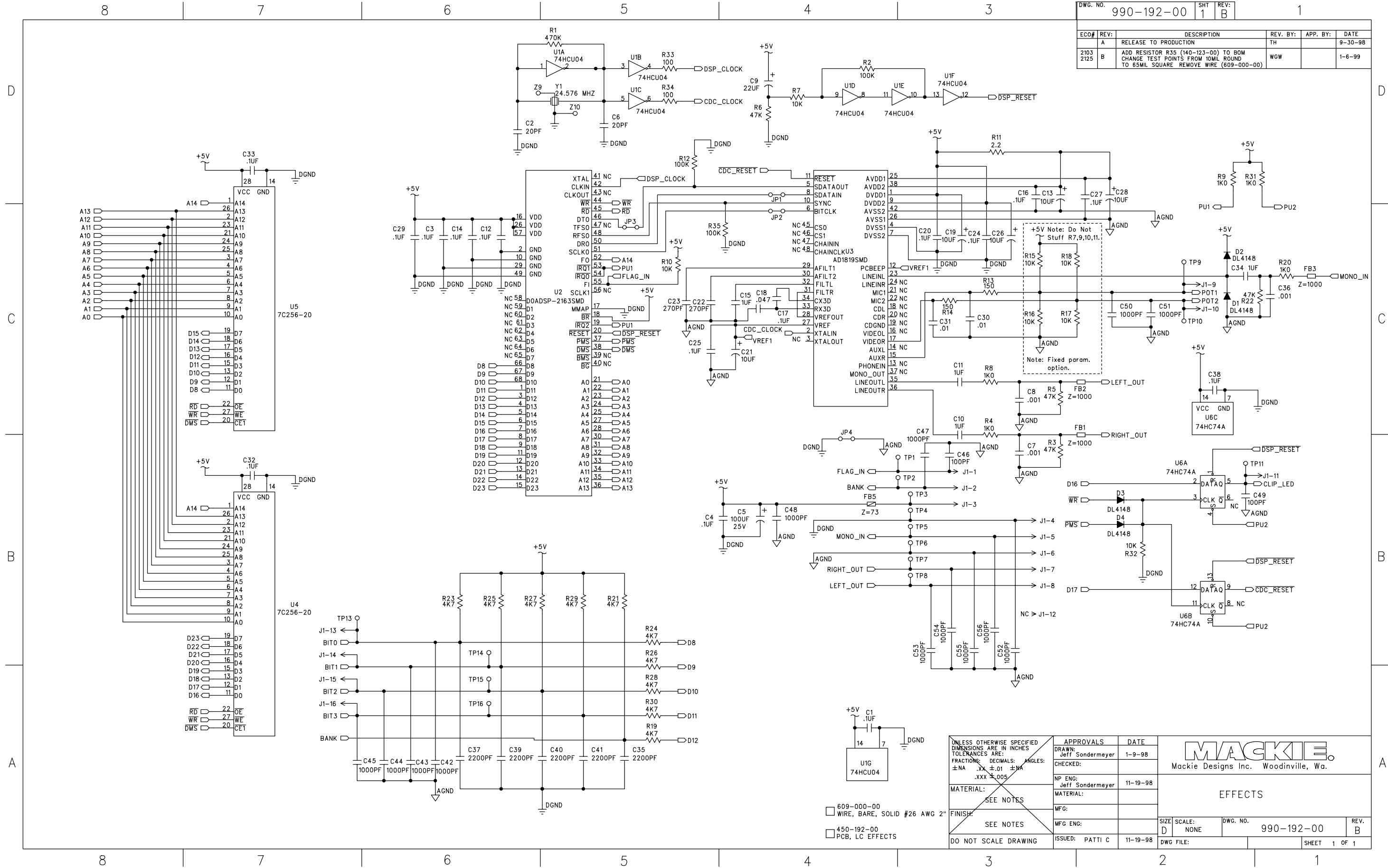


| ECO# | REV: | DESCRIPTION | REV. BY: | APP. BY: | DATE |
|------|------|--|----------|----------|---------|
| A | | RELEASE TO PRODUCTION | TH | | 9-30-98 |
| 2103 | B | ADD RESISTOR R35 (140-123-00) TO BOM | WG | | 1-6-99 |
| 2125 | | CHANGE TEST POINTS FROM 10MIL ROUND TO 65MIL SQUARE REMOVE WIRE (609-000-00) | WG | | |



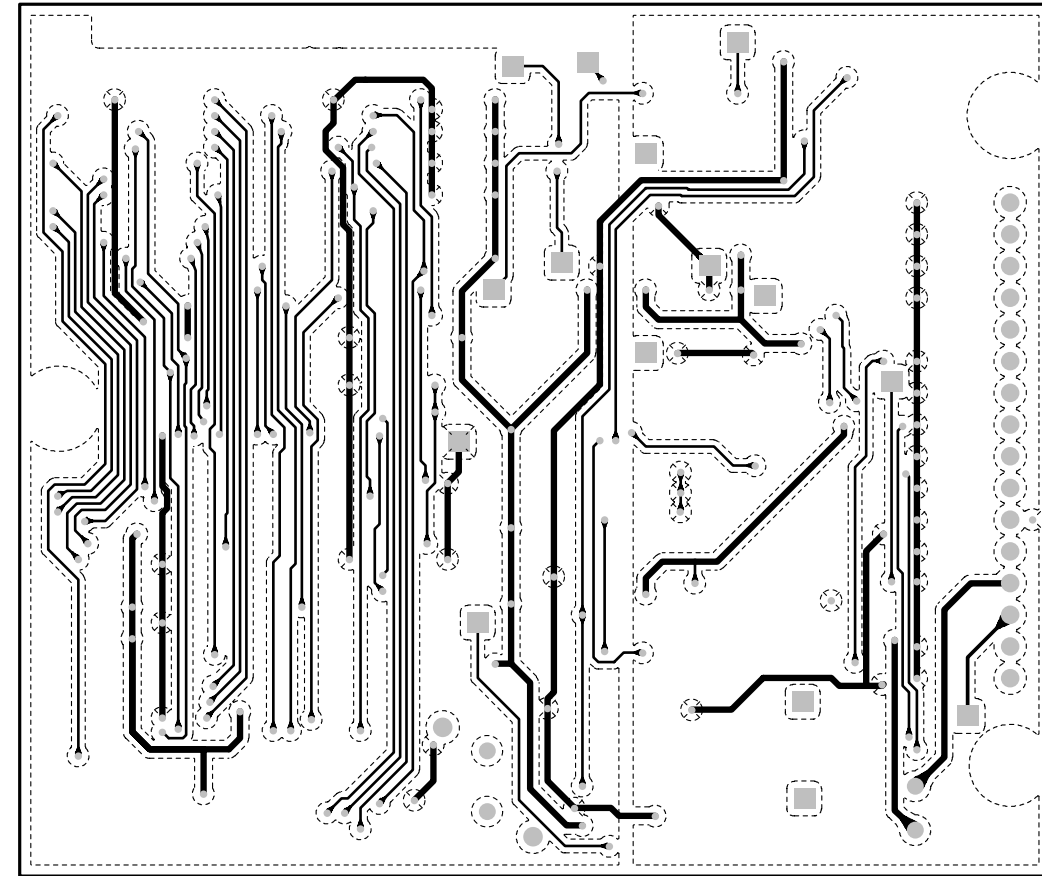
| APPROVALS | DATE |
|----------------------------|----------|
| DRAWN: Jeff Sondernmeyer | 1-9-98 |
| CHECKED: Jeff Sondernmeyer | |
| NP ENG: Jeff Sondernmeyer | 11-19-98 |
| MFG: | |
| MFG ENG: | |
| ISSUED: PATTI C | 11-19-98 |



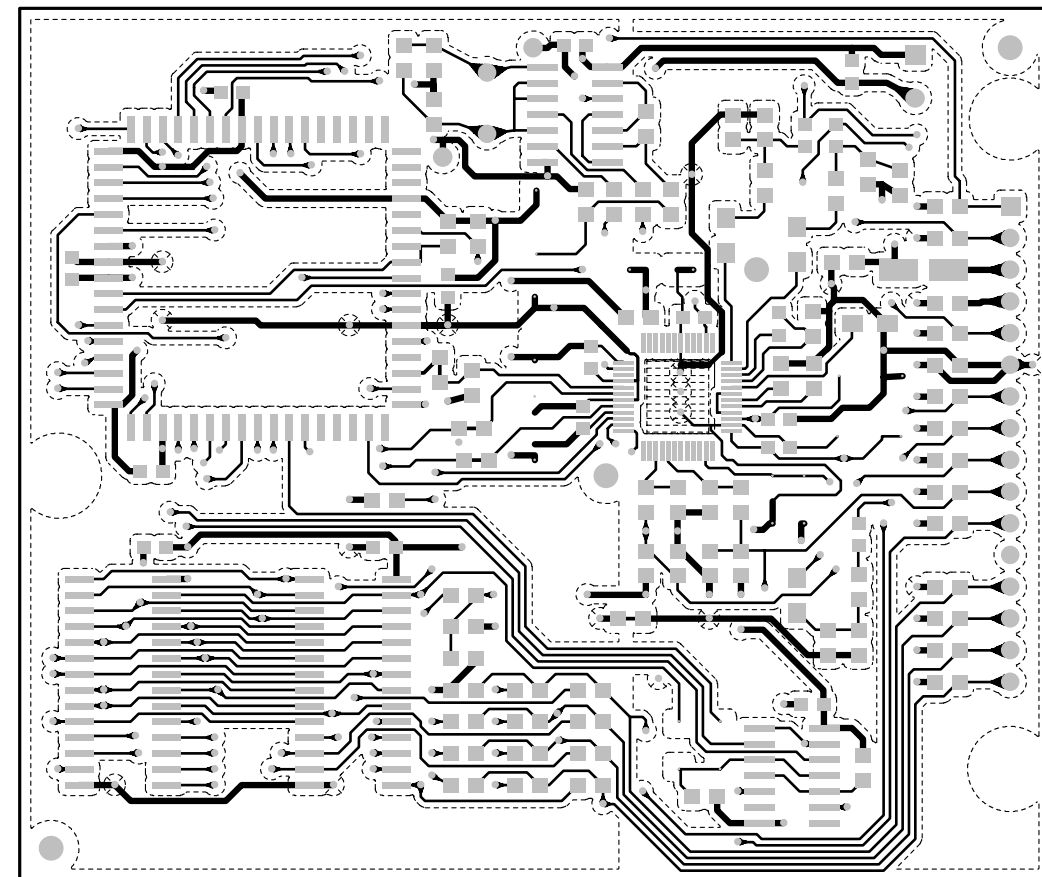
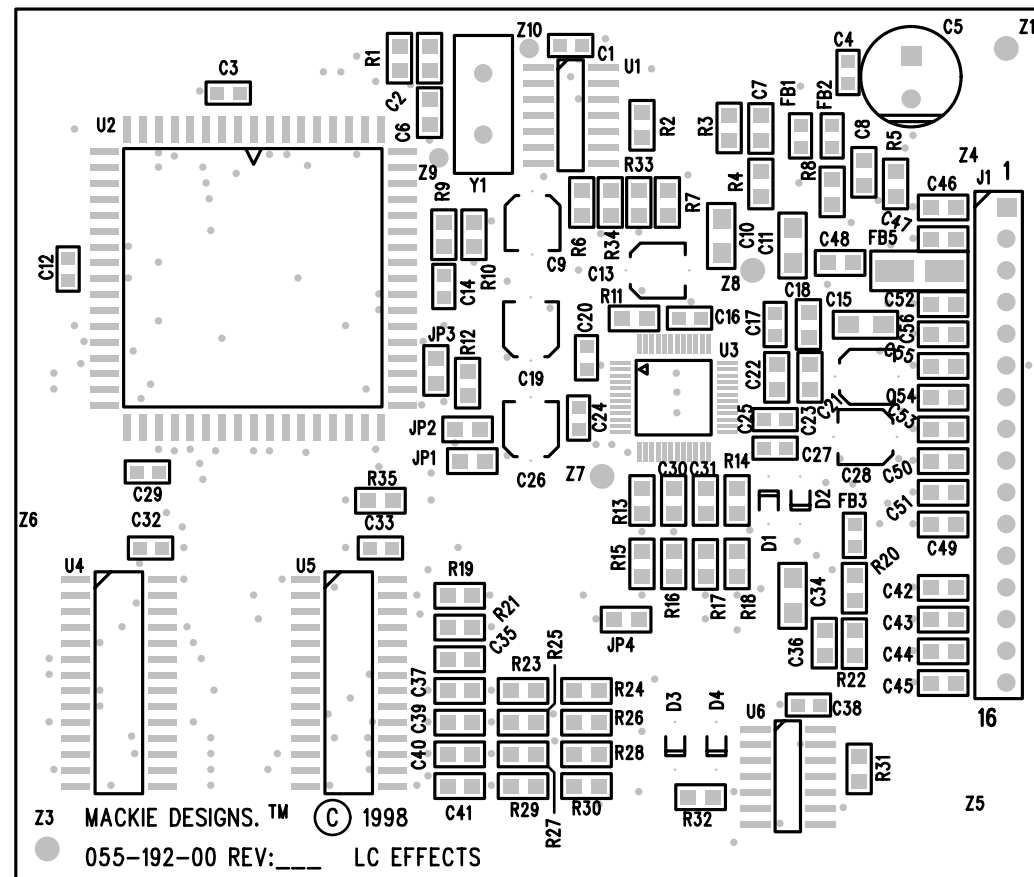
EFFECTS

| | | | |
|------------|-------------|---------------------|--------|
| SIZE: D | SCALE: NONE | DWG. NO. 990-192-00 | REV. B |
| DWG. FILE: | | SHEET 1 OF 1 | |

- 609-000-00 WIRE, BARE, SOLID #26 AWG 2"
- 450-192-00 PCB, LC EFFECTS

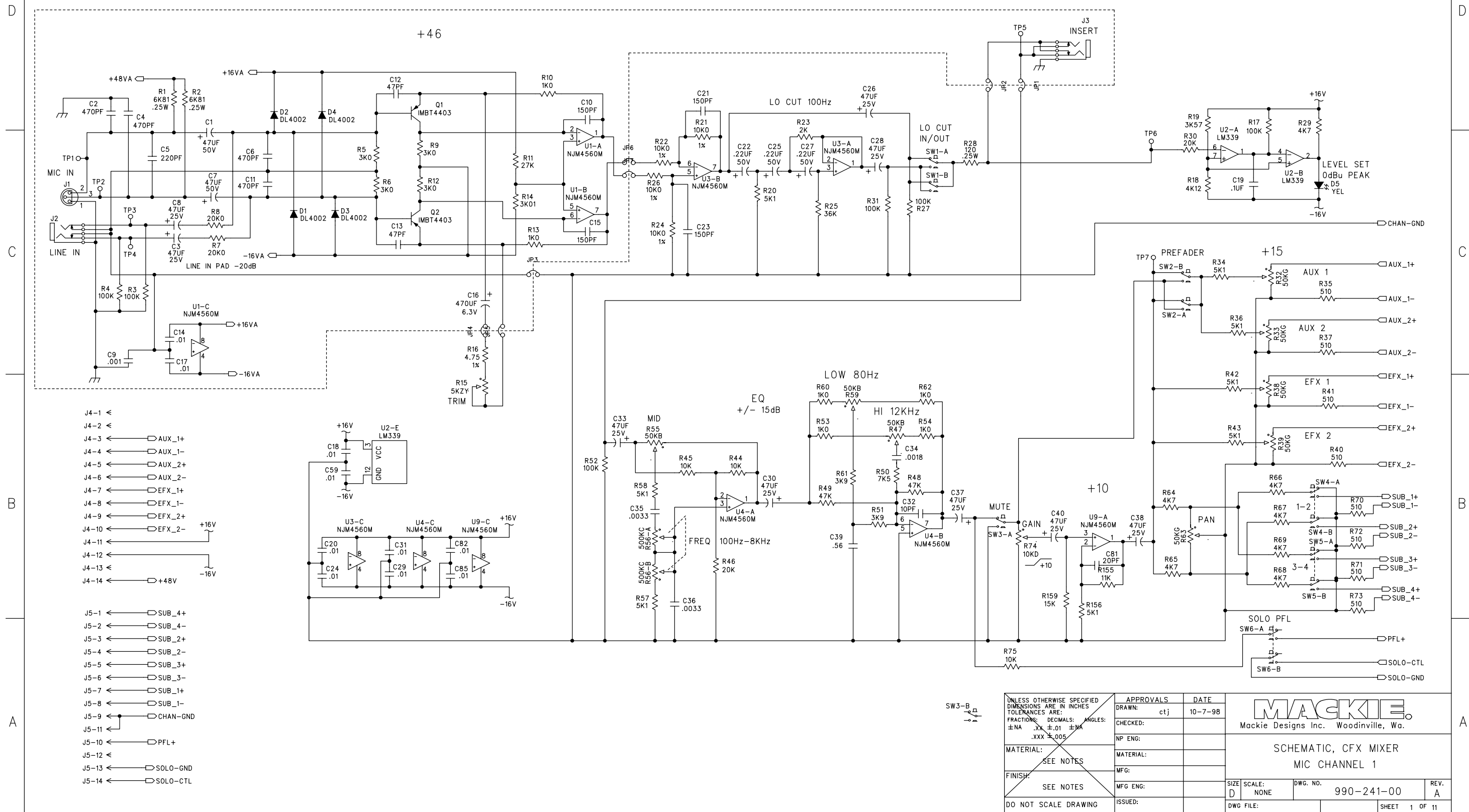


Bottom of board



Top of board

| ECO# | REV. | DESCRIPTION | REV. BY: | APP. BY: | DATE |
|------|------|-------------|----------|----------|------|
| | | | | | |



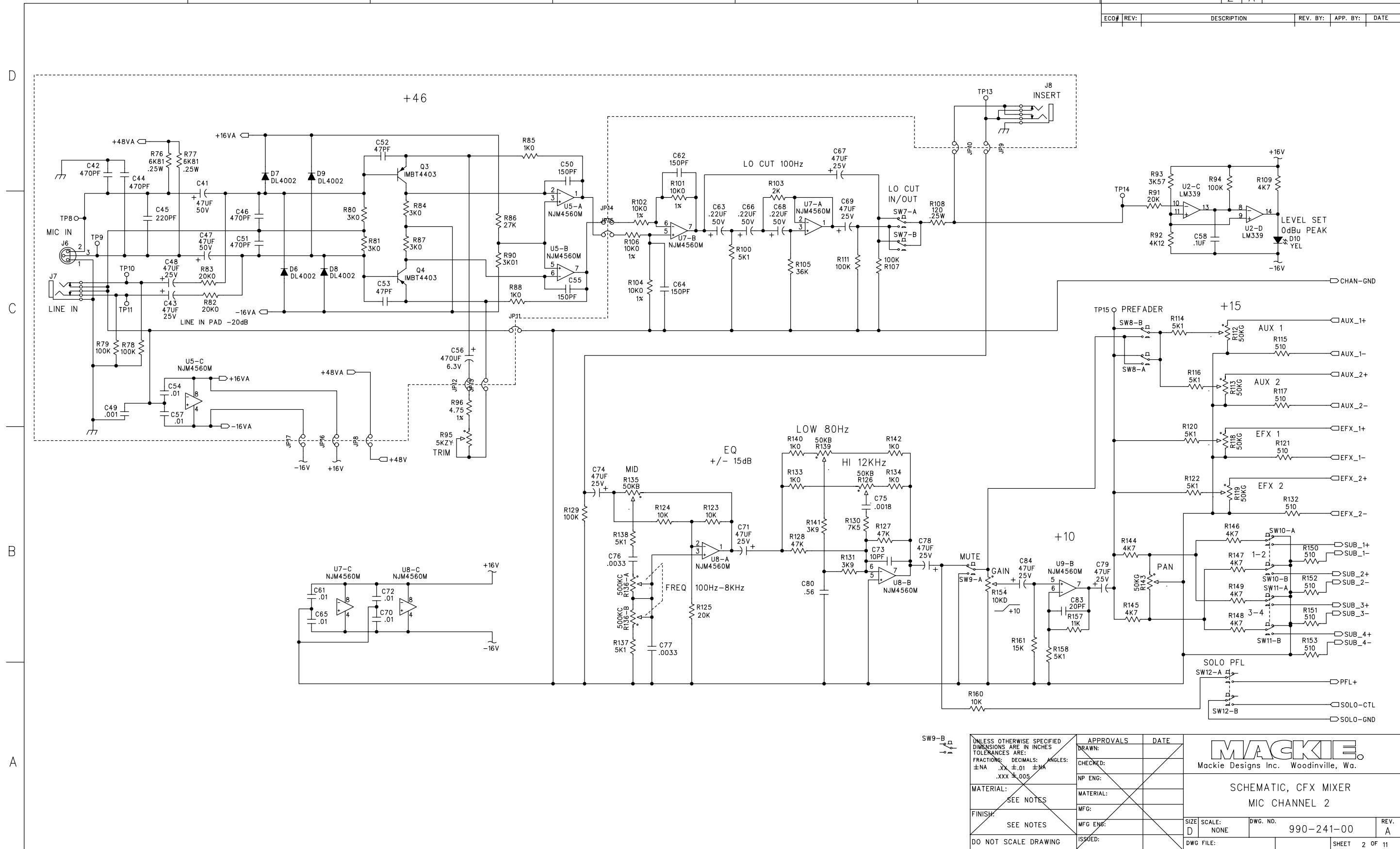
- J4-1 ←
- J4-2 ←
- J4-3 ← AUX_1+
- J4-4 ← AUX_1-
- J4-5 ← AUX_2+
- J4-6 ← AUX_2-
- J4-7 ← EFX_1+
- J4-8 ← EFX_1-
- J4-9 ← EFX_2+
- J4-10 ← EFX_2-
- J4-11 ←
- J4-12 ←
- J4-13 ←
- J4-14 ← +48V
- J5-1 ← SUB_4+
- J5-2 ← SUB_4-
- J5-3 ← SUB_2+
- J5-4 ← SUB_2-
- J5-5 ← SUB_3+
- J5-6 ← SUB_3-
- J5-7 ← SUB_1+
- J5-8 ← SUB_1-
- J5-9 ← CHAN-GND
- J5-10 ← PFL+
- J5-11 ←
- J5-12 ← SOLO-GND
- J5-13 ←
- J5-14 ← SOLO-CTL

| UNLESS OTHERWISE SPECIFIED DIMENSIONS ARE IN INCHES TOLERANCES ARE: | APPROVALS | DATE |
|---|-----------|---------|
| FRACTIONS: DECIMALS: ANGLES: | ctj | 10-7-98 |
| ±NA .XX ±.01 ±NA .XXX ±.005 | CHECKED: | |
| MATERIAL: SEE NOTES | NP ENG: | |
| FINISH: SEE NOTES | MATERIAL: | |
| DO NOT SCALE DRAWING | MFG: | |
| | MFG ENG: | |
| | ISSUED: | |

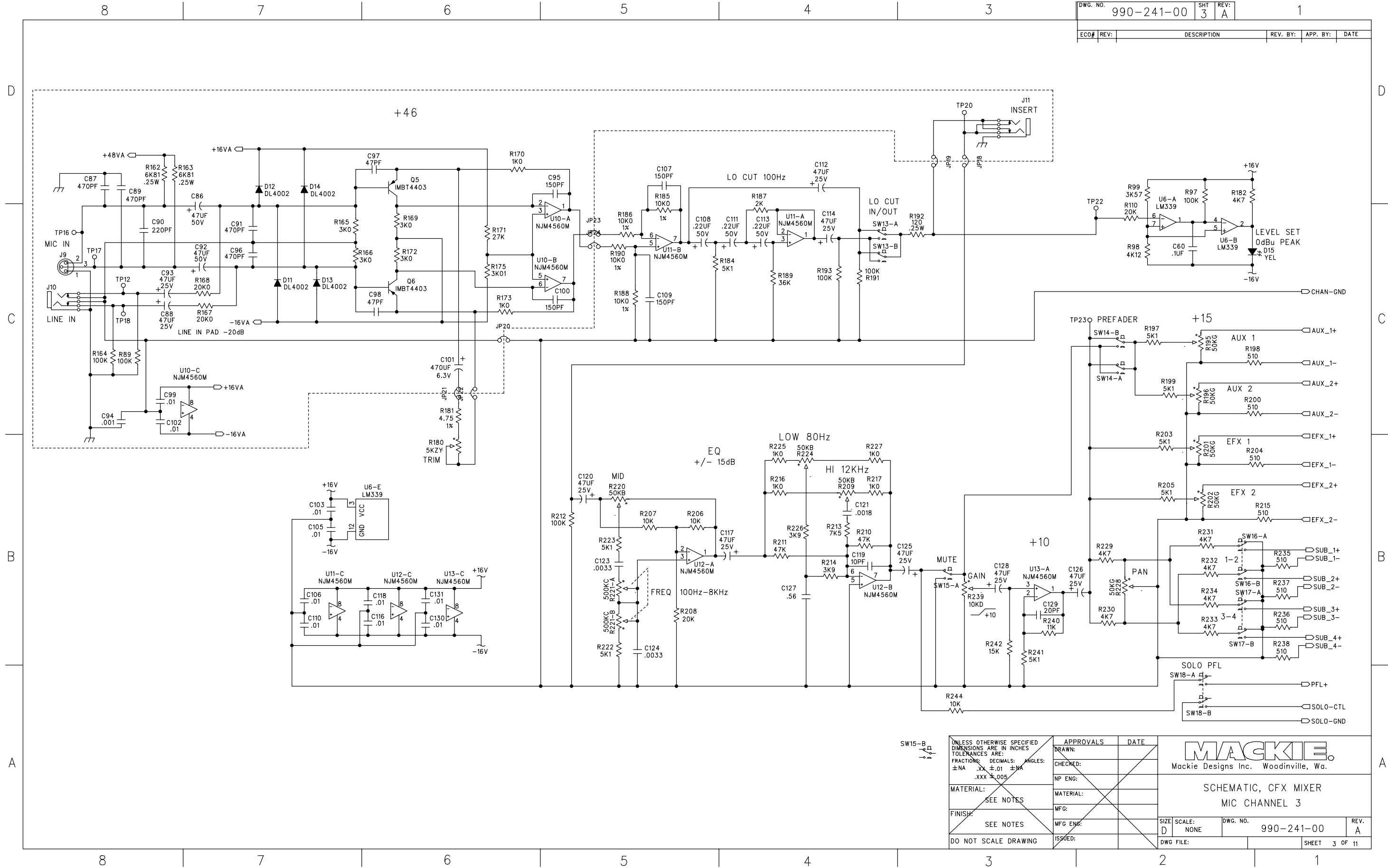
MACKIE
Mackie Designs Inc. Woodinville, Wa.

SCHEMATIC, CFX MIXER
MIC CHANNEL 1

| | | | |
|------------|-------------|---------------------|---------------|
| SIZE: D | SCALE: NONE | DWG. NO. 990-241-00 | REV. A |
| DWG. FILE: | | | SHEET 1 OF 11 |



| | | | |
|--|-----------|------|---|
| UNLESS OTHERWISE SPECIFIED DIMENSIONS ARE IN INCHES TOLERANCES ARE: FRACTIONS: DECIMALS: ANGLES: ±NA .XX ±.01 ±NA .XXX ±.005 | APPROVALS | DATE | <p>Mackie Designs Inc. Woodinville, Wa.</p> <p>SCHEMATIC, CFX MIXER MIC CHANNEL 2</p> |
| | DRAWN: | | |
| | CHECKED: | | |
| | MP ENG: | | |
| MATERIAL: | MATERIAL: | | SIZE: D SCALE: NONE DWG. NO. 990-241-00 REV. A DWG FILE: |
| FINISH: | MFG: | | |
| SEE NOTES | MFG ENG: | | |
| DO NOT SCALE DRAWING | ISSUED: | | SHEET 2 OF 11 |

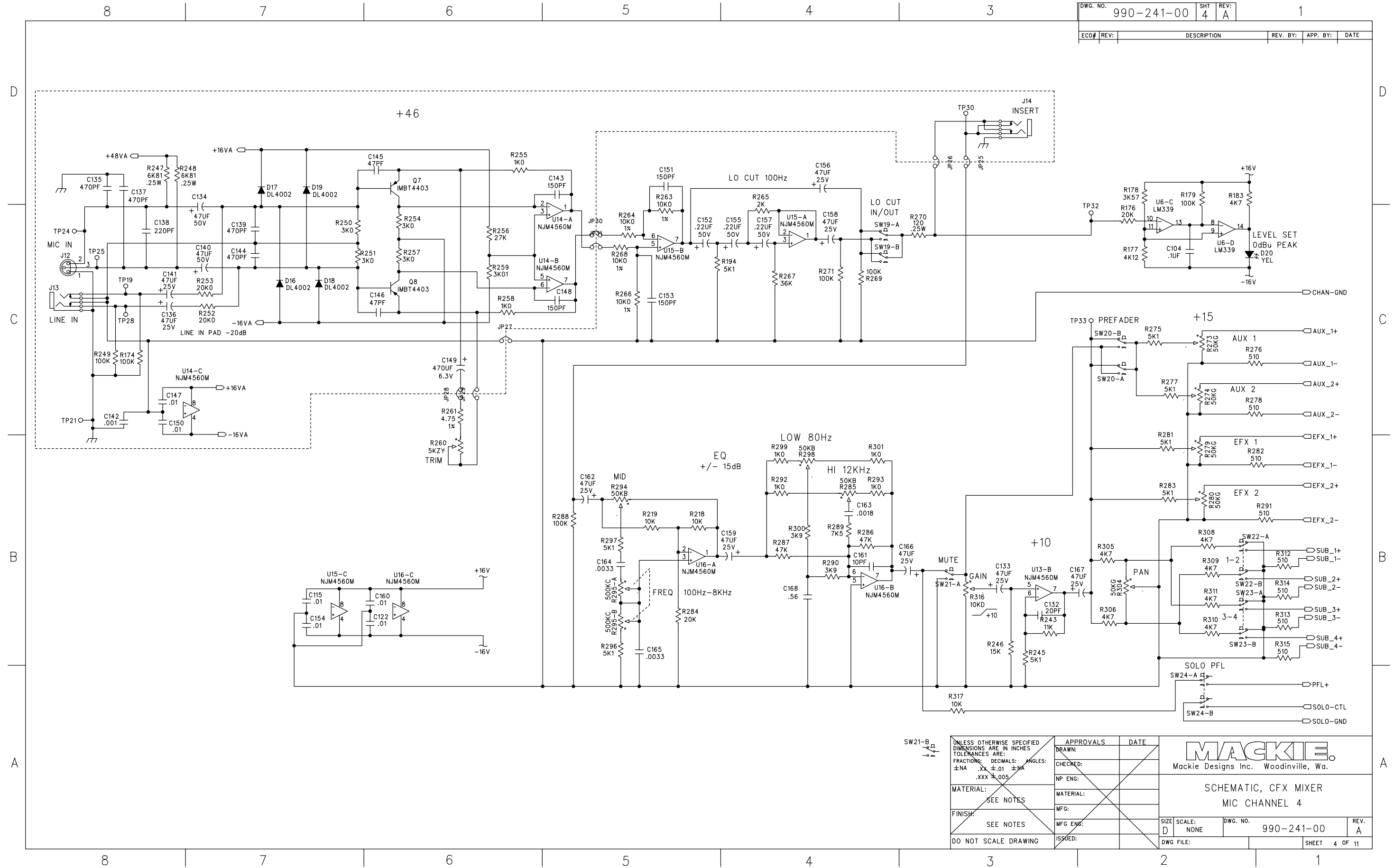


| UNLESS OTHERWISE SPECIFIED DIMENSIONS ARE IN INCHES TOLERANCES ARE: | APPROVALS | DATE |
|---|-----------|------|
| FRACTIONS: DECIMALS: ANGLES: ±NA .XX ±.01 ±NA .XXX ±.005 | DRAWN: | |
| MATERIAL: SEE NOTES | CHECKED: | |
| FINISH: SEE NOTES | NP ENG: | |
| DO NOT SCALE DRAWING | MATERIAL: | |
| | MFG: | |
| | MFG ENG: | |
| | ISSUED: | |

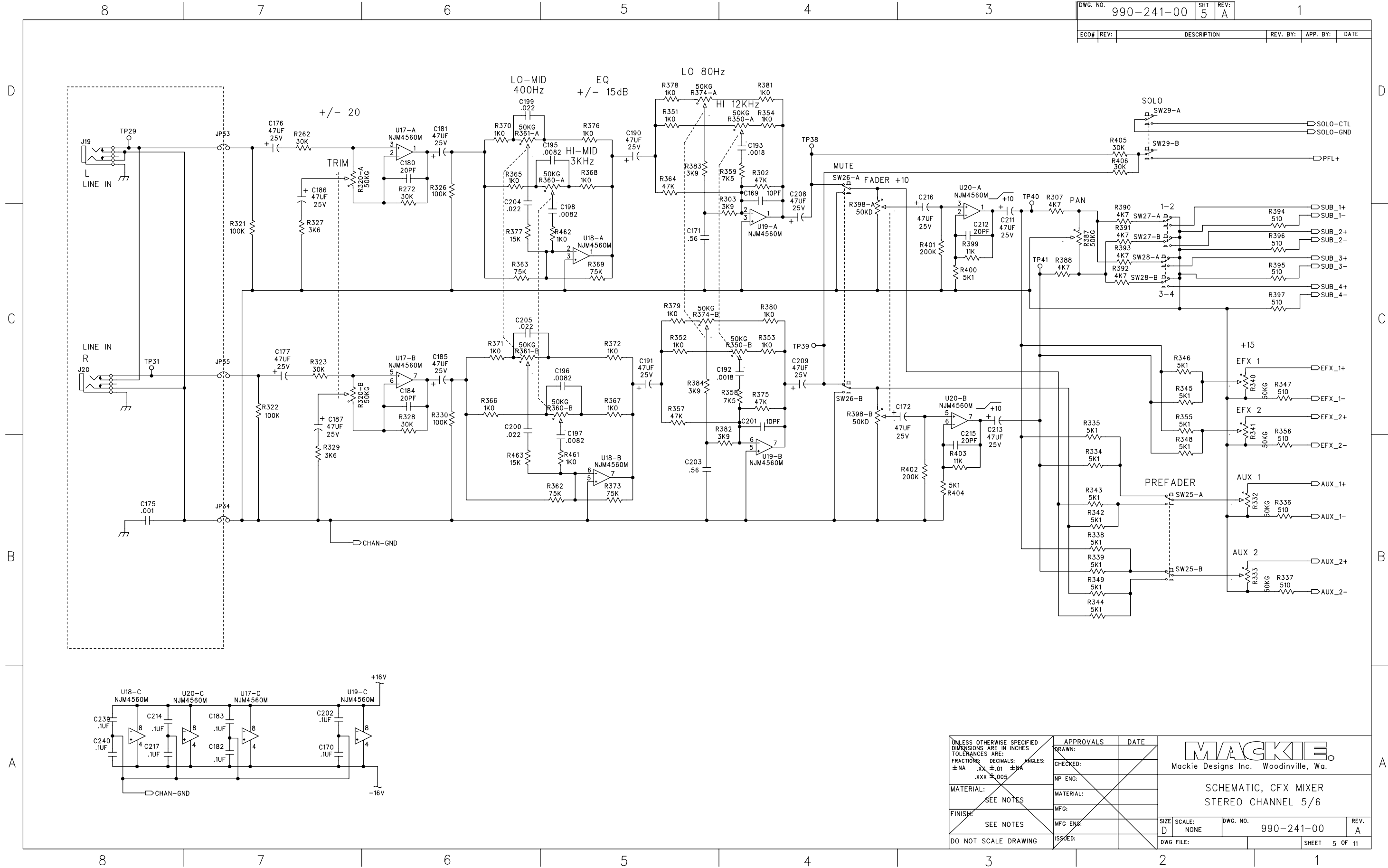
MACKIE
Mackie Designs Inc. Woodinville, Wa.

SCHEMATIC, CFX MIXER
MIC CHANNEL 3

| | | | |
|------------|-------------|---------------------|--------|
| SIZE: D | SCALE: NONE | DWG. NO. 990-241-00 | REV. A |
| DWG. FILE: | | SHEET 3 OF 11 | |



| | | | |
|---|-----------|-------------|---------------------------------------|
| UNLESS OTHERWISE SPECIFIED DIMENSIONS ARE IN INCHES TOLERANCES ARE: FRACTIONS: DECIMALS: ANGLES: ±NA .XX ±.01 ±NA .XXX ±.005 | APPROVALS | DATE | |
| | DRAWN: | | |
| | CHECKED: | | |
| | NP ENG: | | |
| MATERIAL: | MATERIAL: | | SCHEMATIC, CFX MIXER MIC CHANNEL 4 |
| SEE NOTES | MFG: | | |
| SEE NOTES | MFG ENG: | | |
| DO NOT SCALE DRAWING | ISSUED: | | |
| | SIZE: D | SCALE: NONE | DWG. NO. 990-241-00 |
| | | | REV. A |
| | DWG FILE: | | SHEET 4 OF 11 |

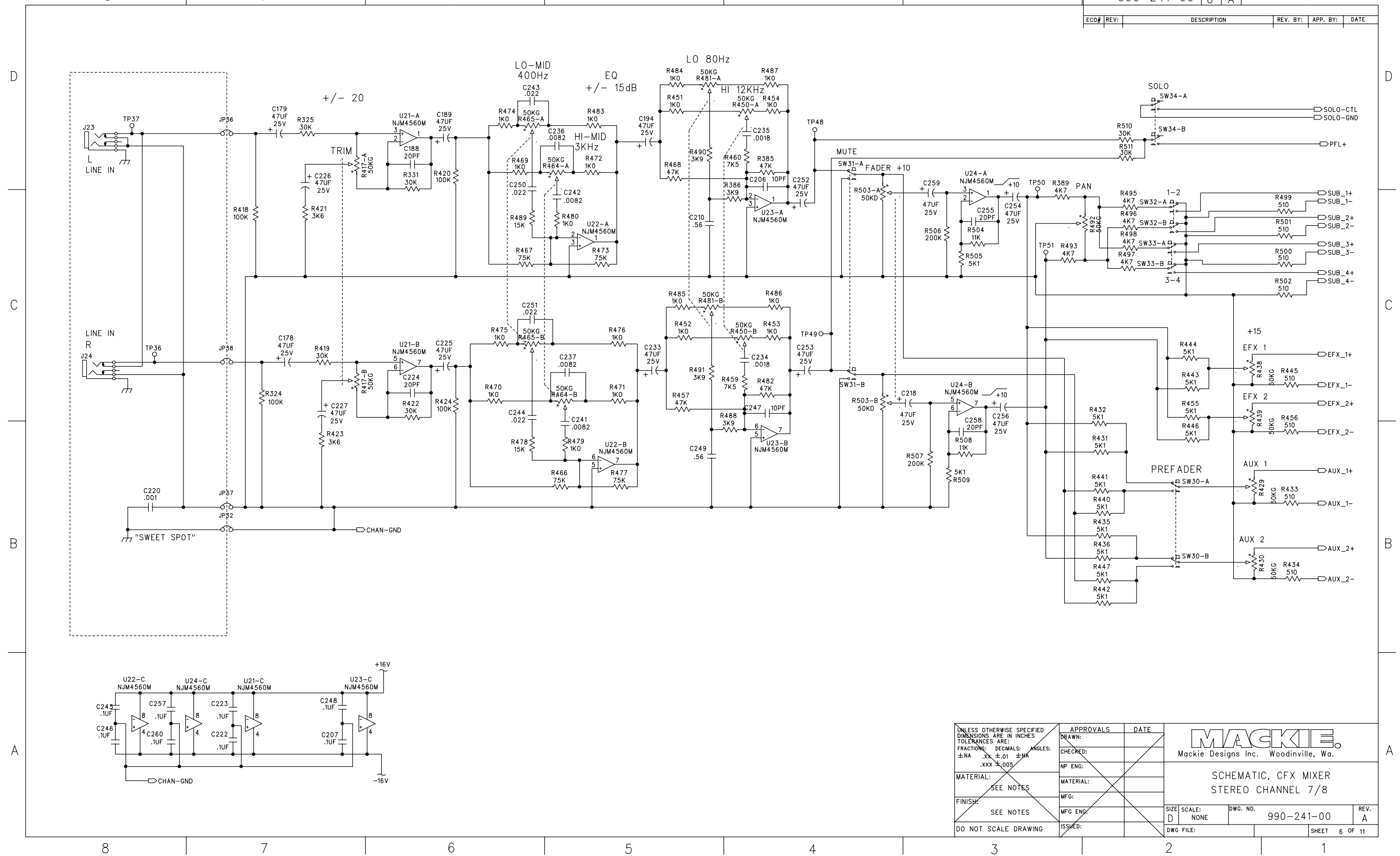


| | | |
|--|-----------|------|
| UNLESS OTHERWISE SPECIFIED DIMENSIONS ARE IN INCHES TOLERANCES ARE: FRACTIONS: .XX ±.01 ±.01 DECIMALS: .XXX ±.005 ANGLES: MATERIAL: FINISH: DO NOT SCALE DRAWING | APPROVALS | DATE |
| | DRAWN: | |
| | CHECKED: | |
| | NP ENG: | |
| SEE NOTES | MATERIAL: | |
| SEE NOTES | MFG: | |
| | MFG ENG: | |
| | ISSUED: | |

MACKIE
Mackie Designs Inc. Woodinville, Wa.

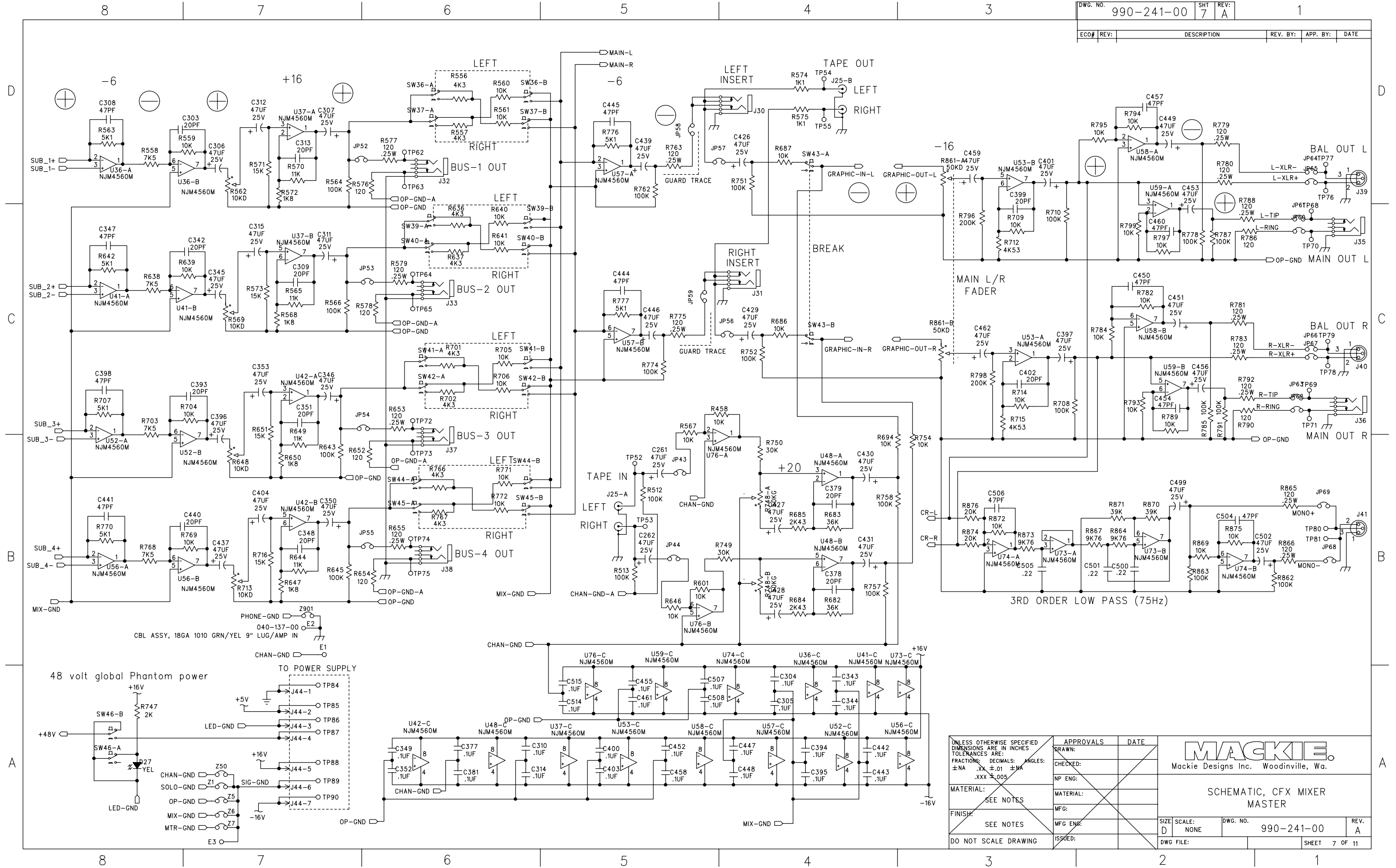
SCHEMATIC, CFX MIXER
STEREO CHANNEL 5/6

| | | | |
|------------|-------------|---------------------|--------|
| SIZE: D | SCALE: NONE | DWG. NO. 990-241-00 | REV. A |
| DWG. FILE: | | SHEET 5 OF 11 | |

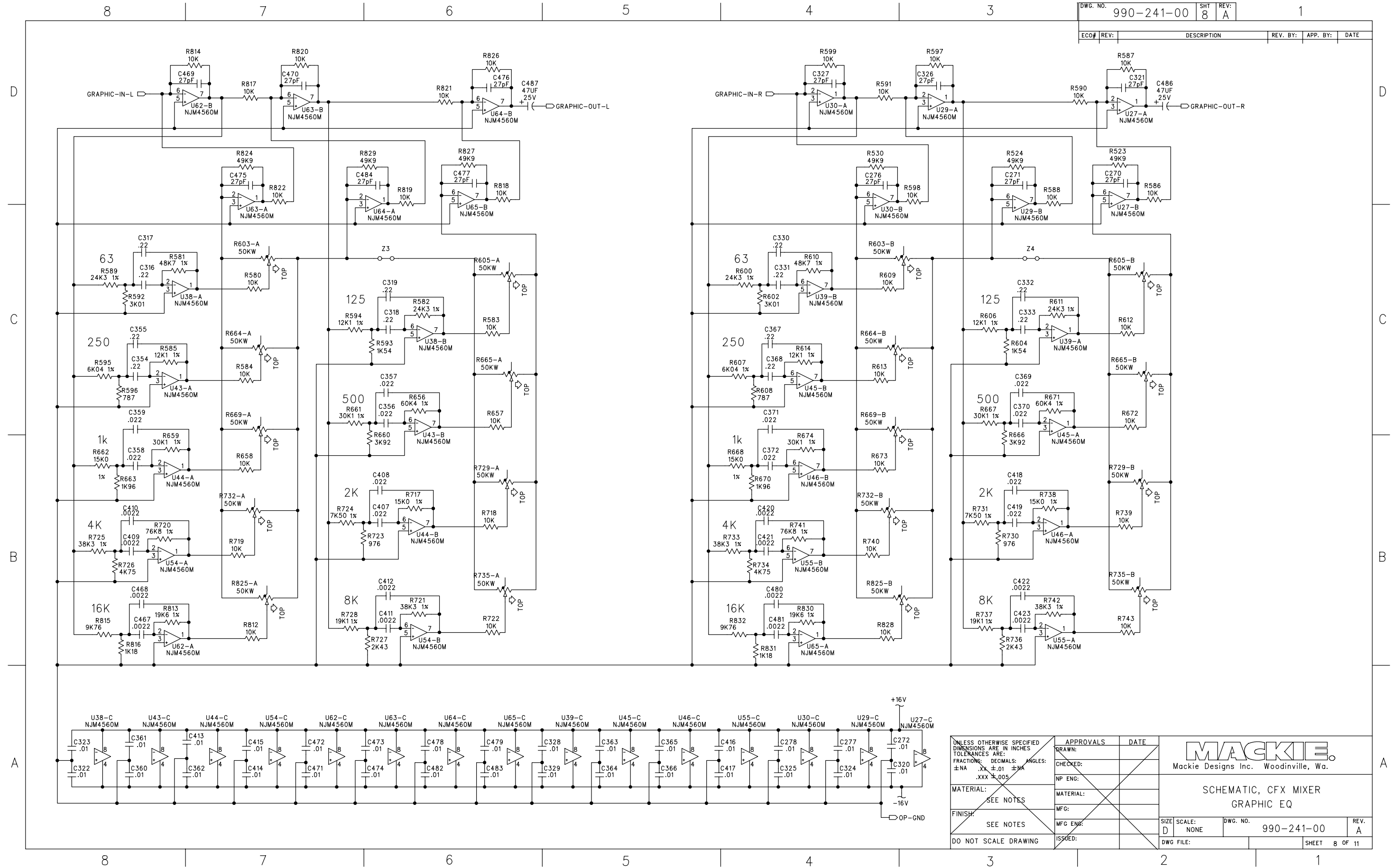


| | | | |
|--|-----------|-------------|--|
| UNLESS OTHERWISE SPECIFIED DIMENSIONS ARE IN INCHES TOLERANCES ARE: FRACTIONS: DECIMALS: ANGLES: ±.NA .XX ±.01 ±MA .XXX ±.005 | APPROVALS | DATE | |
| | DRAWN: | | |
| | CHECKED: | | |
| | NP ENG: | | |
| MATERIAL: | MATERIAL: | | SCHEMATIC, CFX MIXER STEREO CHANNEL 7/8 |
| SEE NOTES | MFG: | | |
| SEE NOTES | MFG ENG: | | |
| DO NOT SCALE DRAWING | ISSUED: | | |
| | SIZE: D | SCALE: NONE | DWG. NO. 990-241-00 |
| | | | REV. A |
| | DWG FILE: | | SHEET 6 OF 11 |

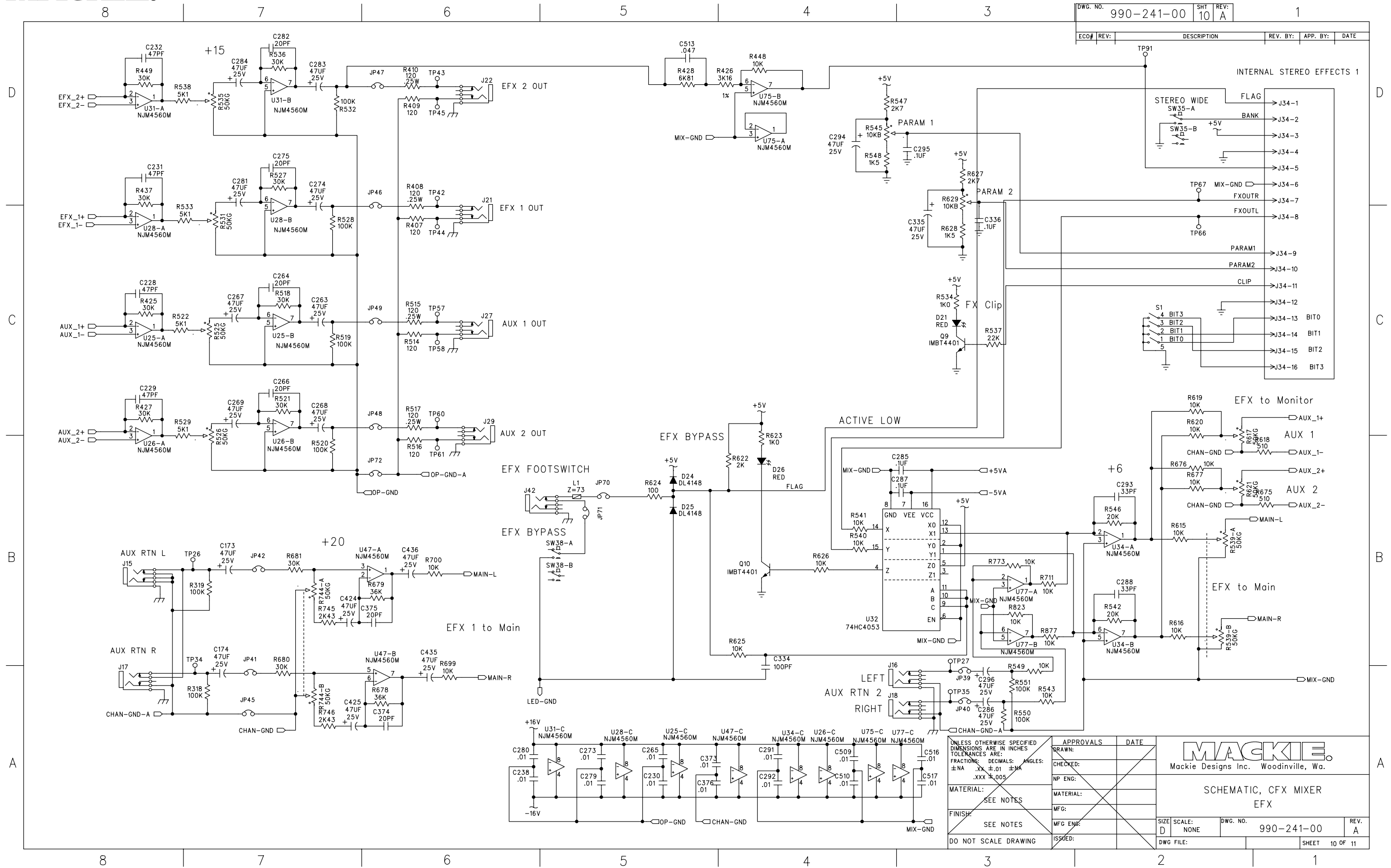
241-6 MASTER BOARD 241 REV A



| | | | |
|---|------------------|---------------------|--------------------------------------|
| UNLESS OTHERWISE SPECIFIED DIMENSIONS ARE IN INCHES TOLERANCES ARE: FRACTIONS: DECIMALS: ANGLES: ±.NA .XX ±.01 ±.NA .XXX ±.005 | APPROVALS | DATE | Mackie Designs Inc. Woodinville, Wa. |
| | CHECKED: | | |
| | NP ENG: | | |
| | MATERIAL: | | |
| SEE NOTES | MATERIAL: | | SCHEMATIC, CFX MIXER MASTER |
| SEE NOTES | MFG: | | |
| DO NOT SCALE DRAWING | MFG ENG: | | |
| | ISSUED: | | |
| | SIZE SCALE: NONE | DWG. NO. 990-241-00 | REV. A |
| | DWG FILE: | | SHEET 7 OF 11 |



| | | | |
|--|-----------|------|--|
| UNLESS OTHERWISE SPECIFIED DIMENSIONS ARE IN INCHES TOLERANCES ARE: FRACTIONS: DECIMALS: ANGLES: ±.NA .XX ±.01 ±MA .XXX ±.005 | APPROVALS | DATE | <p>Mackie Designs Inc. Woodinville, Wa.</p> <p>SCHEMATIC, CFX MIXER GRAPHIC EQ</p> |
| | DRAWN: | | |
| | CHECKED: | | |
| | MP ENG: | | |
| MATERIAL: | MATERIAL: | | SIZE: D SCALE: NONE DWG. NO. 990-241-00 REV. A DWG FILE: SHEET 8 OF 11 |
| FINISH: | MFG: | | |
| SEE NOTES | MFG ENG: | | |
| DO NOT SCALE DRAWING | ISSUED: | | |



| ECO# | REV. | DESCRIPTION | REV. BY: | APP. BY: | DATE |
|------|------|-------------|----------|----------|------|
| | | | | | |

| APPROVALS | DATE |
|-----------|------|
| | |

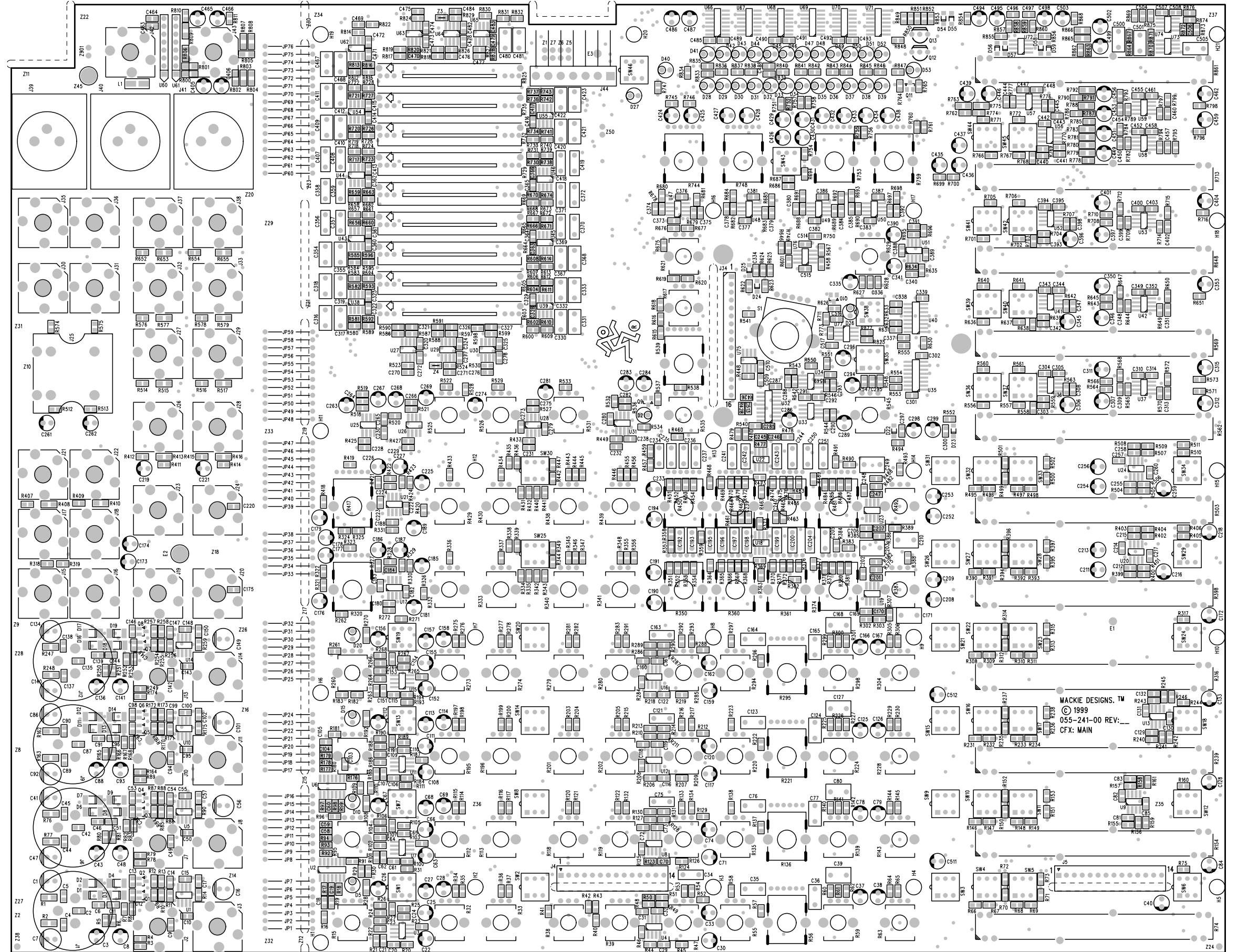
| | |
|--|-------------|
| MACKIE. Mackie Designs Inc. Woodinville, Wa. | |
| SCHEMATIC, CFX MIXER EFX | |
| SIZE: D | SCALE: NONE |
| DWG. NO. 990-241-00 | REV. A |
| SHEET 10 OF 11 | |

UNLESS OTHERWISE SPECIFIED
DIMENSIONS ARE IN INCHES
TOLERANCES ARE:
FRACTIONS: DECIMALS: ANGLES:
±NA .XX ±.01 ±MA
.XXX ±.005

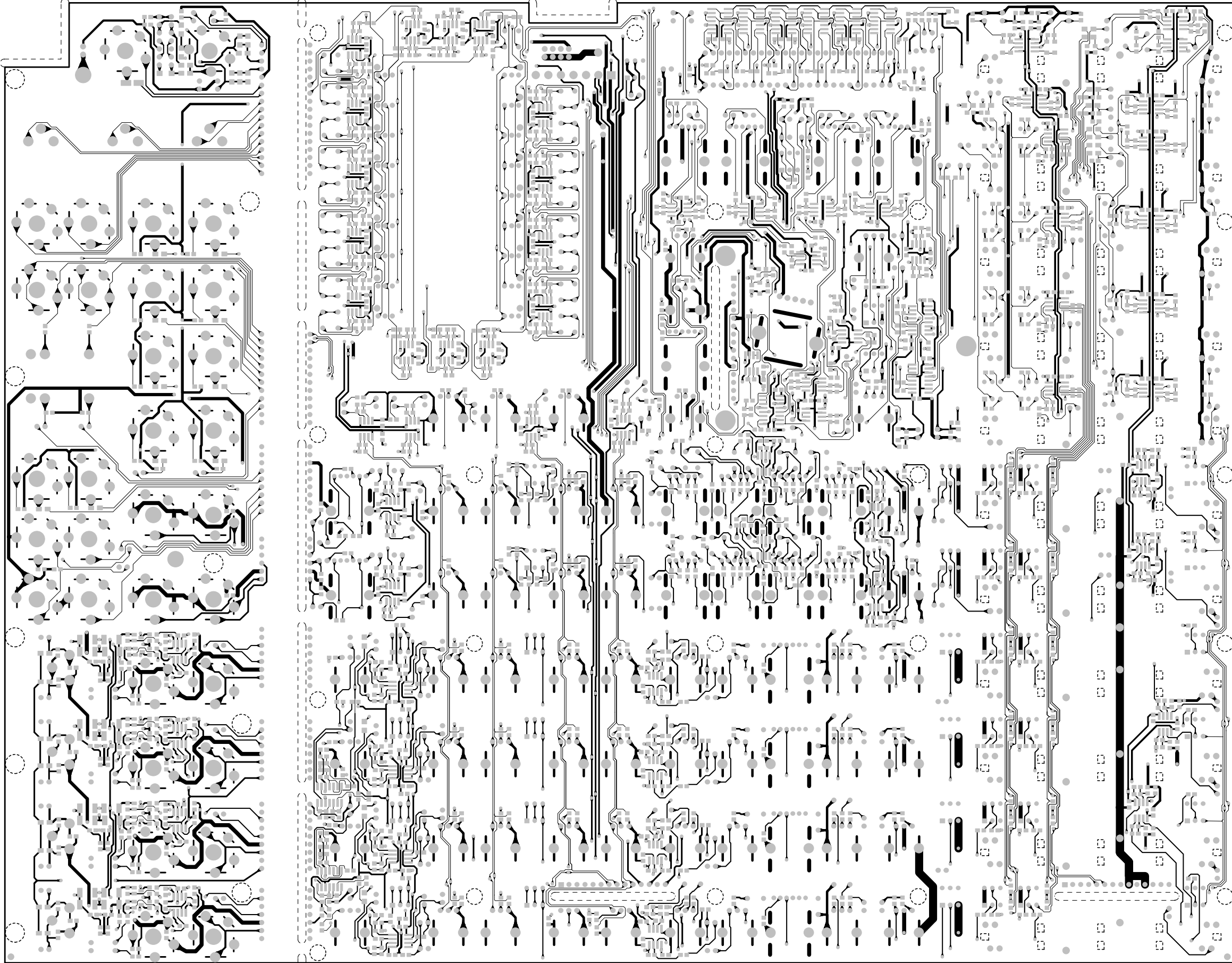
MATERIAL: SEE NOTES

FINISH: SEE NOTES

DO NOT SCALE DRAWING

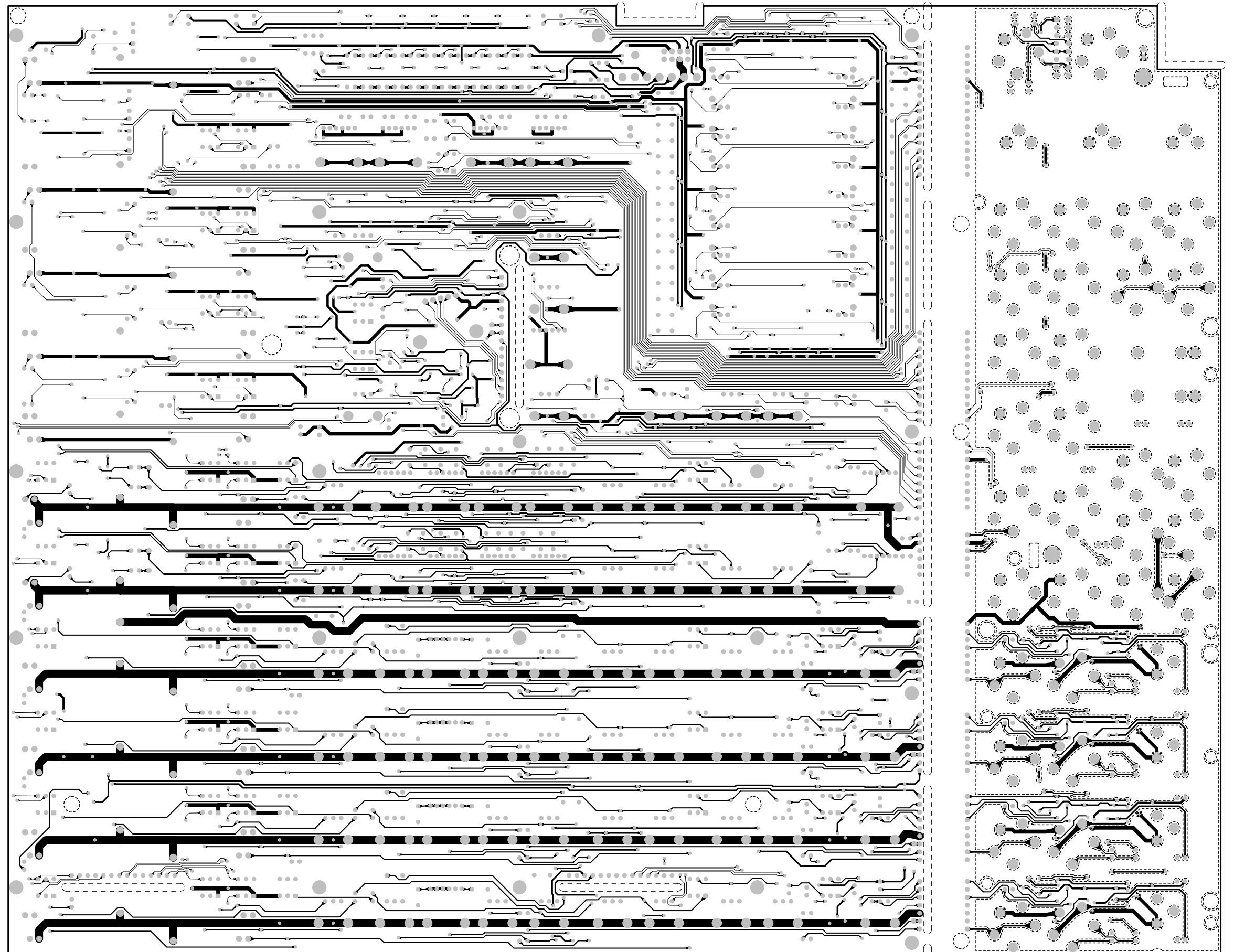


MACKIE DESIGNS, TM
© 1999
055-241-00 REV. 1
CFX: MAIN

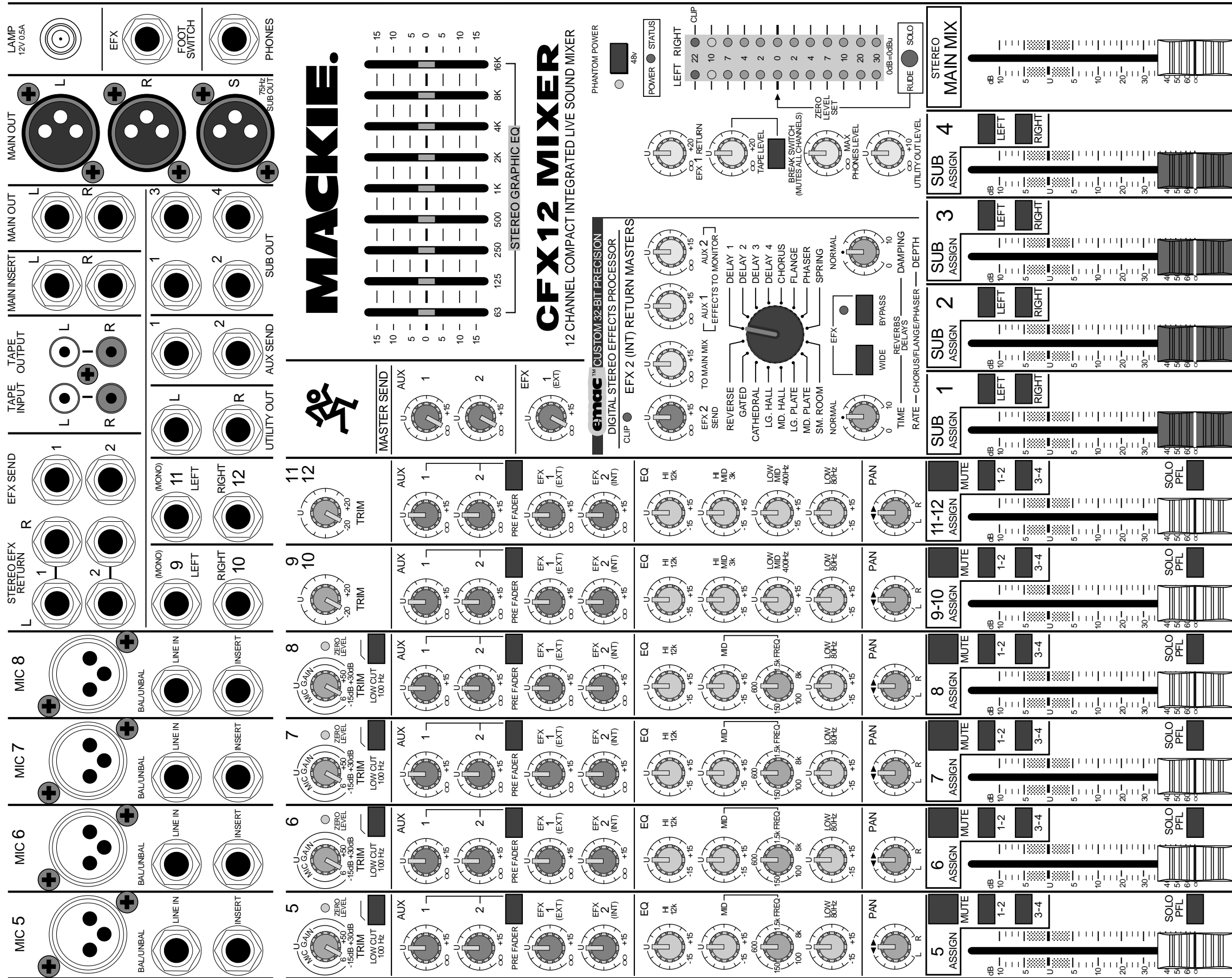


Top of Board
(if this has been printed double-sided, and has been lined up correctly, you can shine a light through this page and see the bottom of the board's traces and pads. Sometimes this works, sometimes not.)

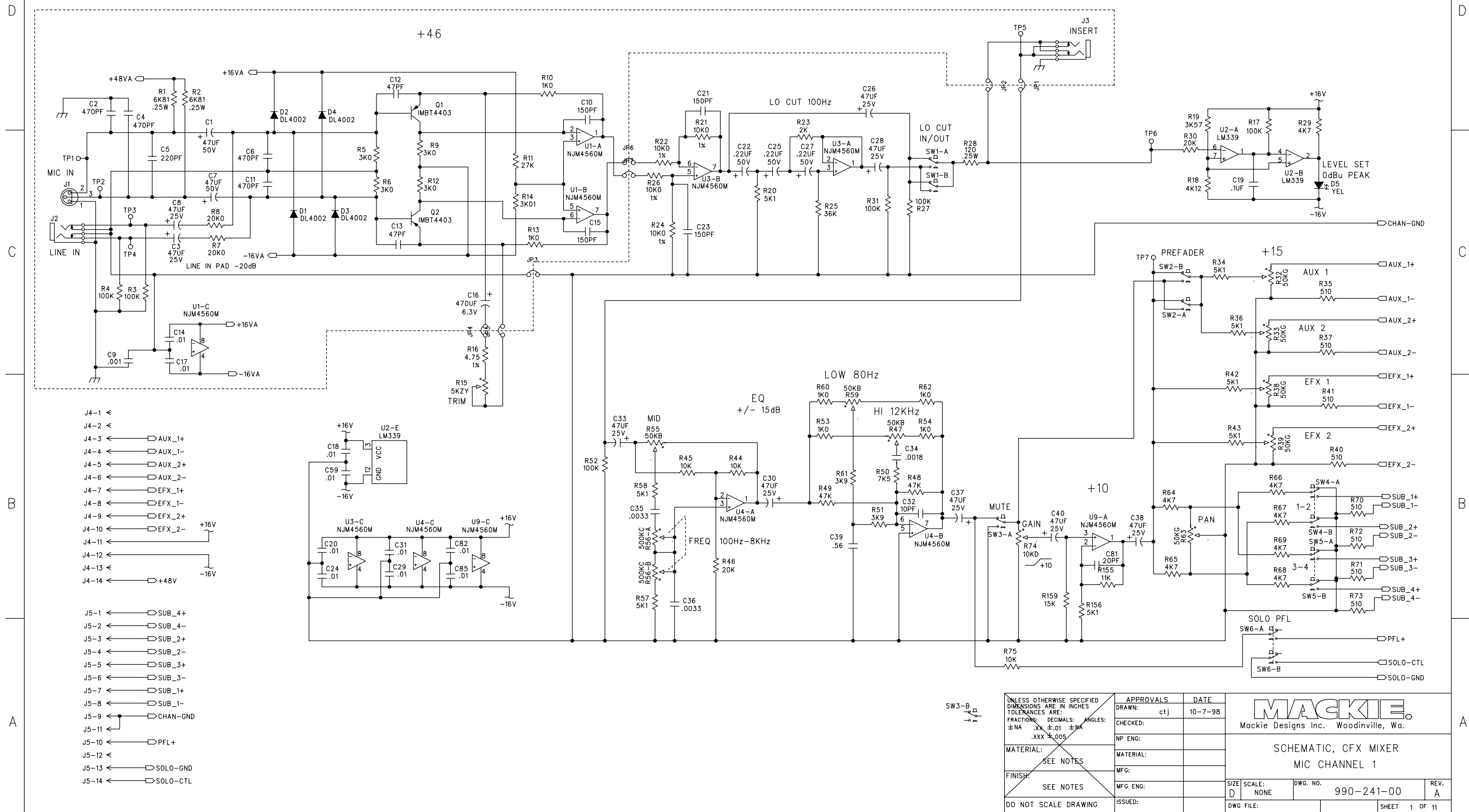
Bottom of Board



I hope that this is useful. If it helps even one technician out in the big wide world, then it will have been worthwhile.



| ECO# | REV. | DESCRIPTION | REV. BY: | APP. BY: | DATE |
|------|------|-------------|----------|----------|------|
| | | | | | |



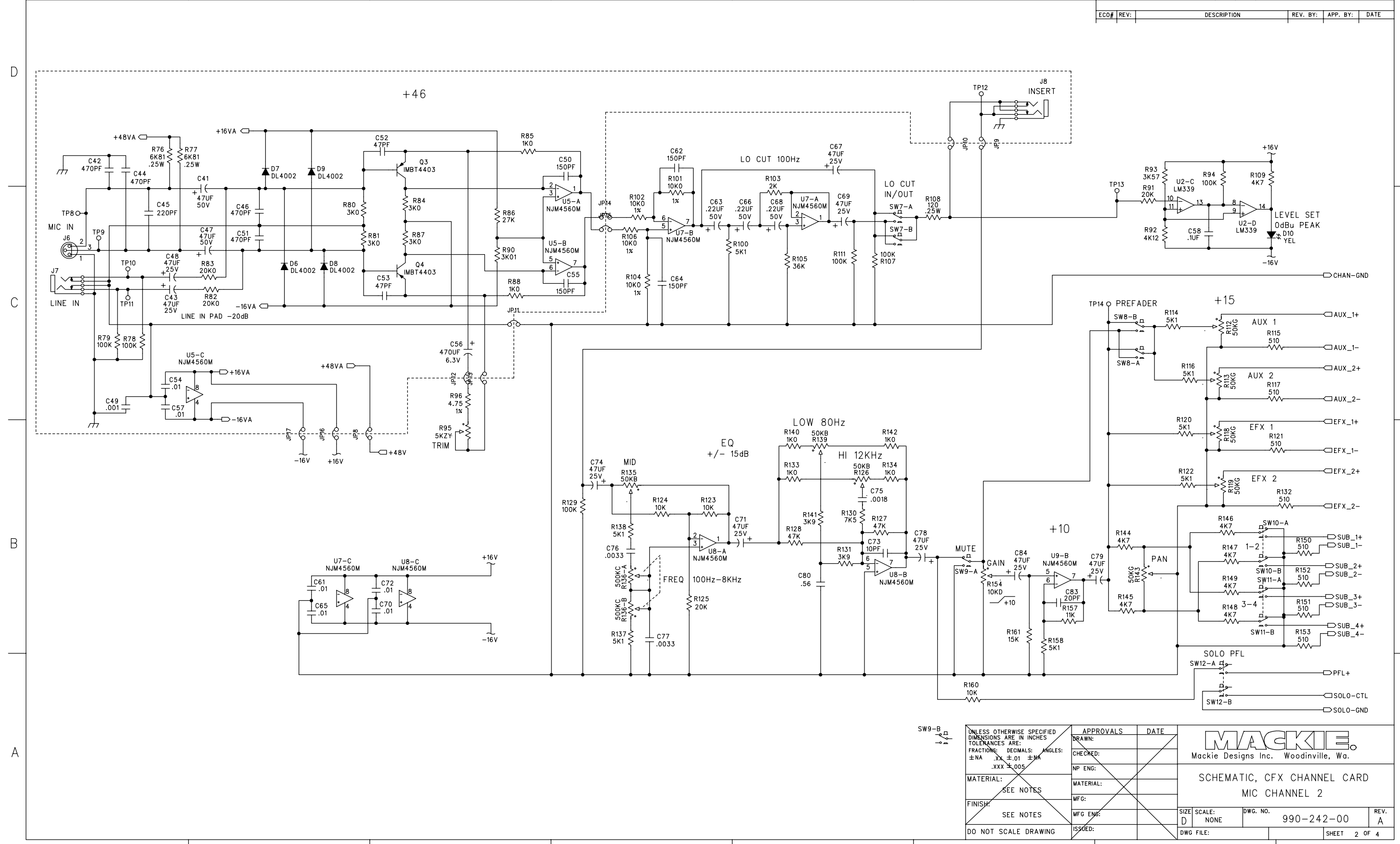
- J4-1 ←
- J4-2 ←
- J4-3 ← AUX_1+
- J4-4 ← AUX_1-
- J4-5 ← AUX_2+
- J4-6 ← AUX_2-
- J4-7 ← EFX_1+
- J4-8 ← EFX_1-
- J4-9 ← EFX_2+
- J4-10 ← EFX_2-
- J4-11 ←
- J4-12 ←
- J4-13 ← +16V
- J4-14 ← -16V
- J5-1 ← SUB_4+
- J5-2 ← SUB_4-
- J5-3 ← SUB_2+
- J5-4 ← SUB_2-
- J5-5 ← SUB_3+
- J5-6 ← SUB_3-
- J5-7 ← SUB_1+
- J5-8 ← SUB_1-
- J5-9 ← CHAN-GND
- J5-10 ← PFL+
- J5-11 ←
- J5-12 ← SOLO-GND
- J5-13 ←
- J5-14 ← SOLO-CTL

| APPROVALS | DATE |
|-----------|---------|
| ctj | 10-7-98 |
| CHECKED: | |
| NP ENG: | |
| MATERIAL: | |
| MFG: | |
| MFG ENG: | |
| ISSUED: | |



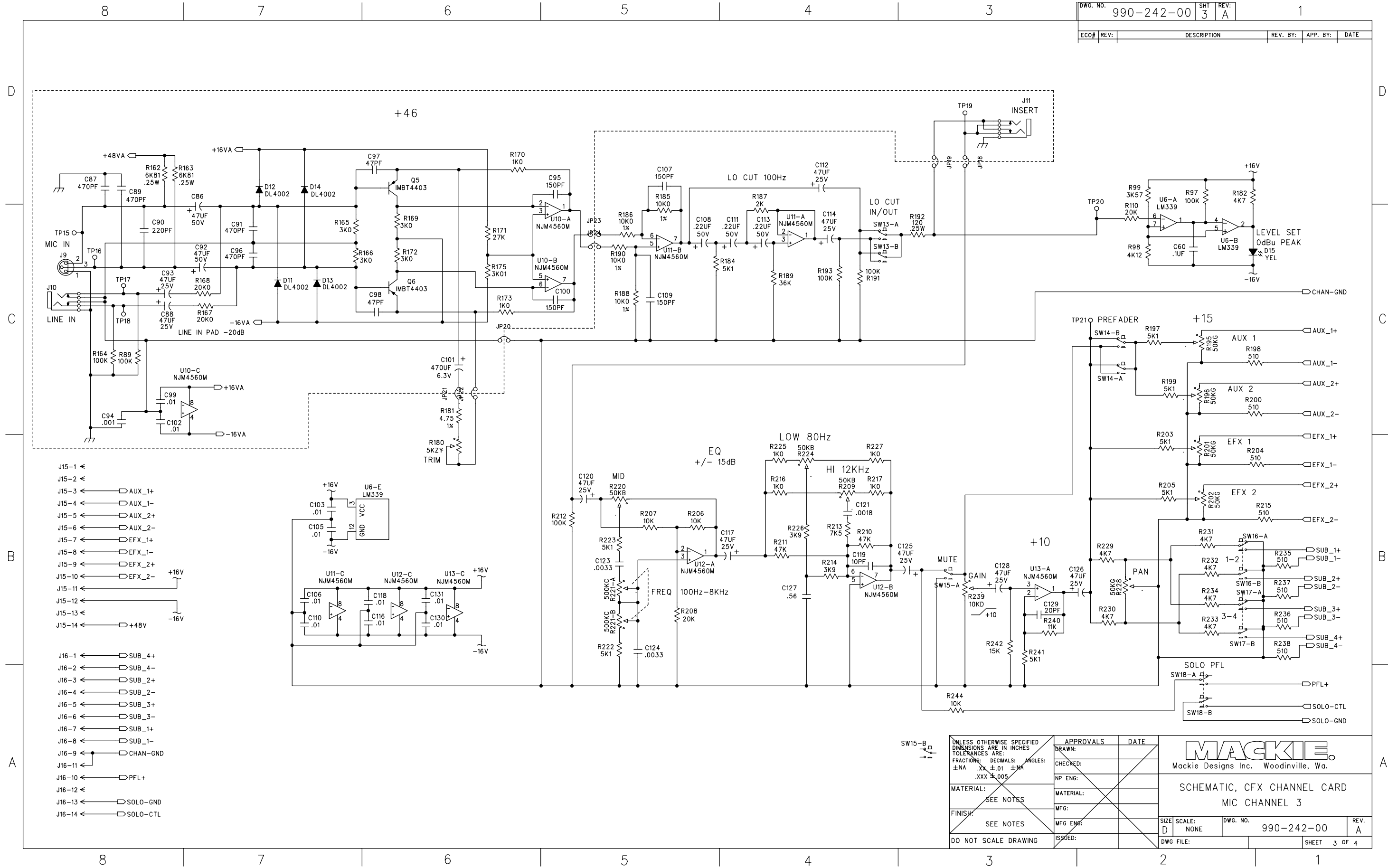
SCHEMATIC, CFX MIXER
MIC CHANNEL 1

| | | | |
|-----------|--------|------------|---------------|
| SIZE | SCALE: | DWG. NO. | REV. |
| D | NONE | 990-241-00 | A |
| DWG FILE: | | | SHEET 1 OF 11 |



| | | | |
|---|--|-----------|------|
| UNLESS OTHERWISE SPECIFIED DIMENSIONS ARE IN INCHES. TOLERANCES ARE: FRACTIONS: DECIMALS: ANGLES: ±.NA .XX ±.01 ±NA .XXX ±.005 | | APPROVALS | DATE |
| MATERIAL: SEE NOTES | | CHECKED: | |
| FINISH: SEE NOTES | | NP ENG: | |
| DO NOT SCALE DRAWING | | MATERIAL: | |
| | | MFG: | |
| | | MFG ENG: | |
| | | ISSUED: | |

| | | | |
|---|--------|--|-------------|
| MACKIE. Mackie Designs Inc. Woodinville, Wa. | | SCHEMATIC, CFX CHANNEL CARD MIC CHANNEL 2 | |
| | | SIZE: D | SCALE: NONE |
| DWG. NO. 990-242-00 | REV. A | SHEET 2 OF 4 | |



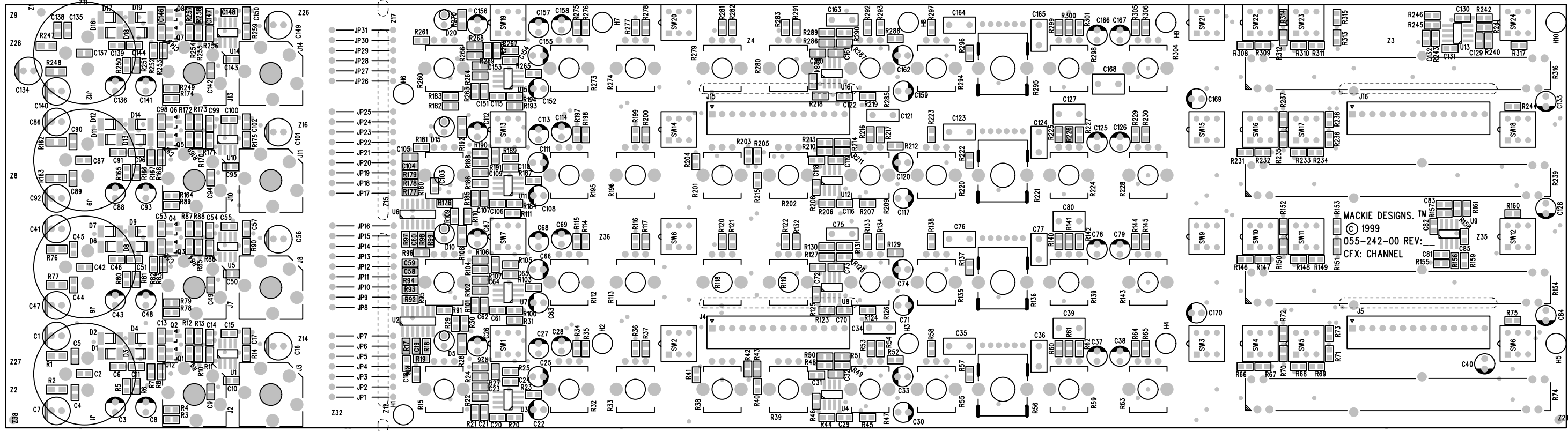
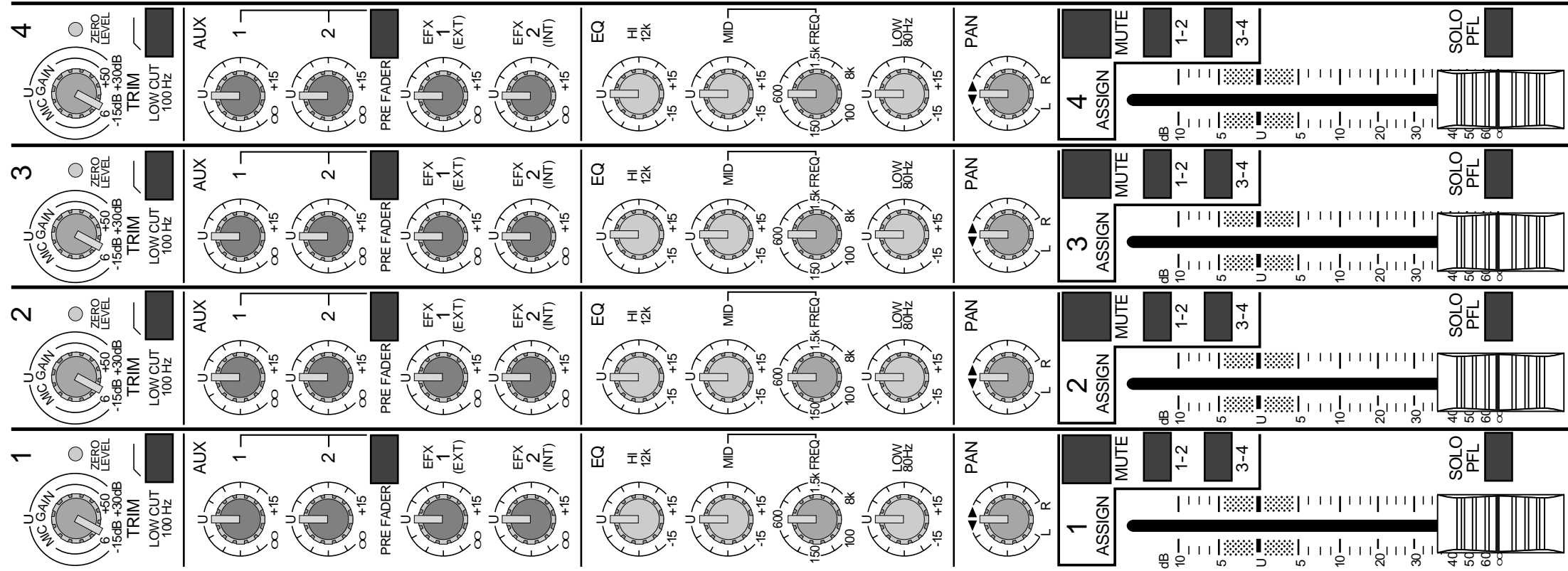
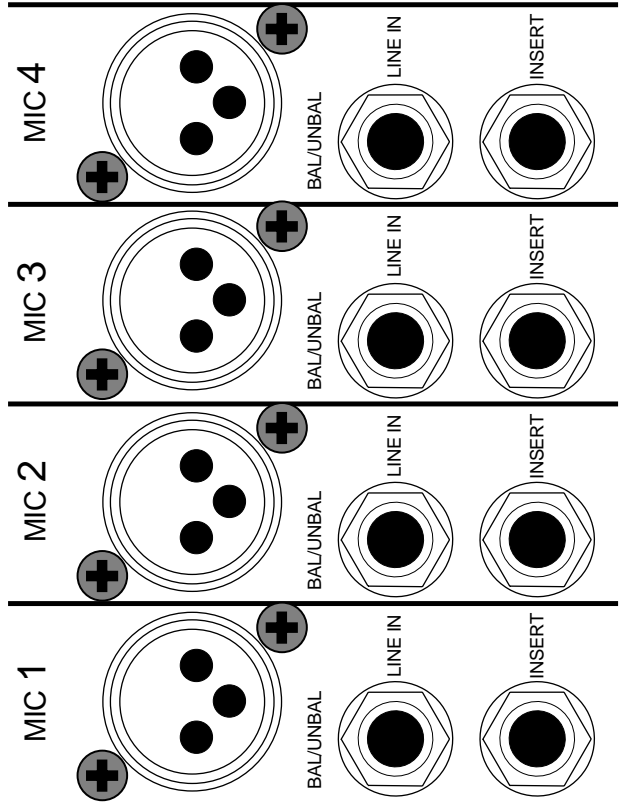
- J15-1 ←
- J15-2 ←
- J15-3 ← AUX_1+
- J15-4 ← AUX_1-
- J15-5 ← AUX_2+
- J15-6 ← AUX_2-
- J15-7 ← EFX_1+
- J15-8 ← EFX_1-
- J15-9 ← EFX_2+
- J15-10 ← EFX_2-
- J15-11 ←
- J15-12 ←
- J15-13 ←
- J15-14 ← +48V
- J16-1 ← SUB_4+
- J16-2 ← SUB_4-
- J16-3 ← SUB_2+
- J16-4 ← SUB_2-
- J16-5 ← SUB_3+
- J16-6 ← SUB_3-
- J16-7 ← SUB_1+
- J16-8 ← SUB_1-
- J16-9 ← CHAN-GND
- J16-11 ←
- J16-10 ← PFL+
- J16-12 ←
- J16-13 ← SOLO-GND
- J16-14 ← SOLO-CTL

| | | |
|--|-----------|------|
| UNLESS OTHERWISE SPECIFIED DIMENSIONS ARE IN INCHES TOLERANCES ARE: FRACTIONS: .XX ±.01 ±.04 DECIMALS: .XXX ±.005 ANGLES: MATERIAL: FINISH: DO NOT SCALE DRAWING | APPROVALS | DATE |
| | DRAWN: | |
| | CHECKED: | |
| | NP ENG: | |
| SEE NOTES | MATERIAL: | |
| SEE NOTES | MFG: | |
| | MFG ENG: | |
| | ISSUED: | |

MACKIE
Mackie Designs Inc. Woodinville, Wa.

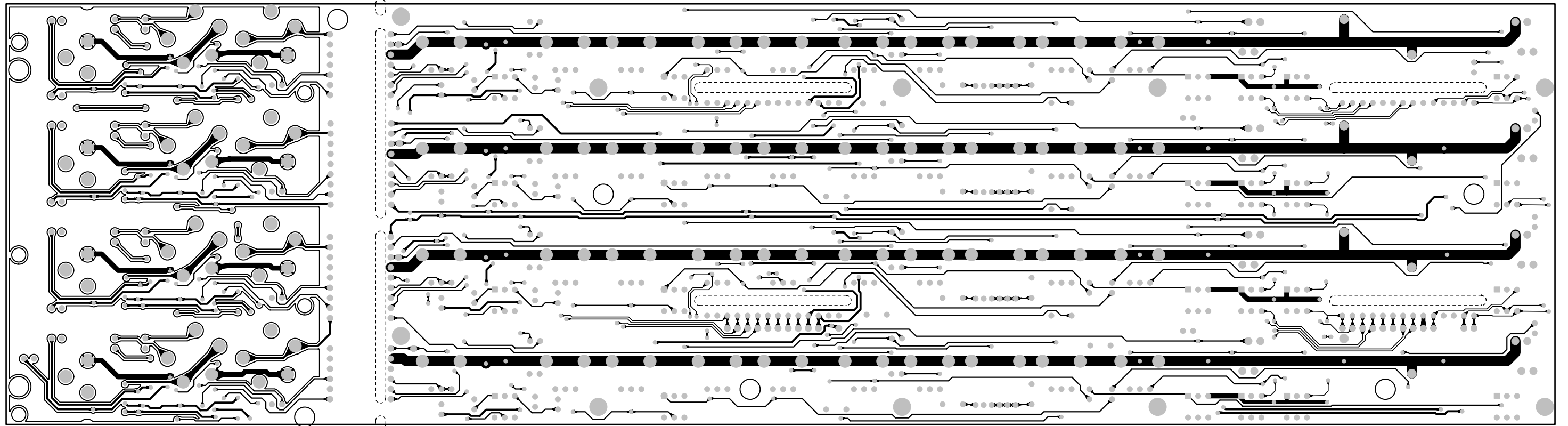
SCHMATIC, CFX CHANNEL CARD
MIC CHANNEL 3

| | | | |
|-----------|--------|------------|--------|
| SIZE | SCALE: | DWG. NO. | REV. |
| D | NONE | 990-242-00 | A |
| DWG FILE: | | SHEET | 3 OF 4 |

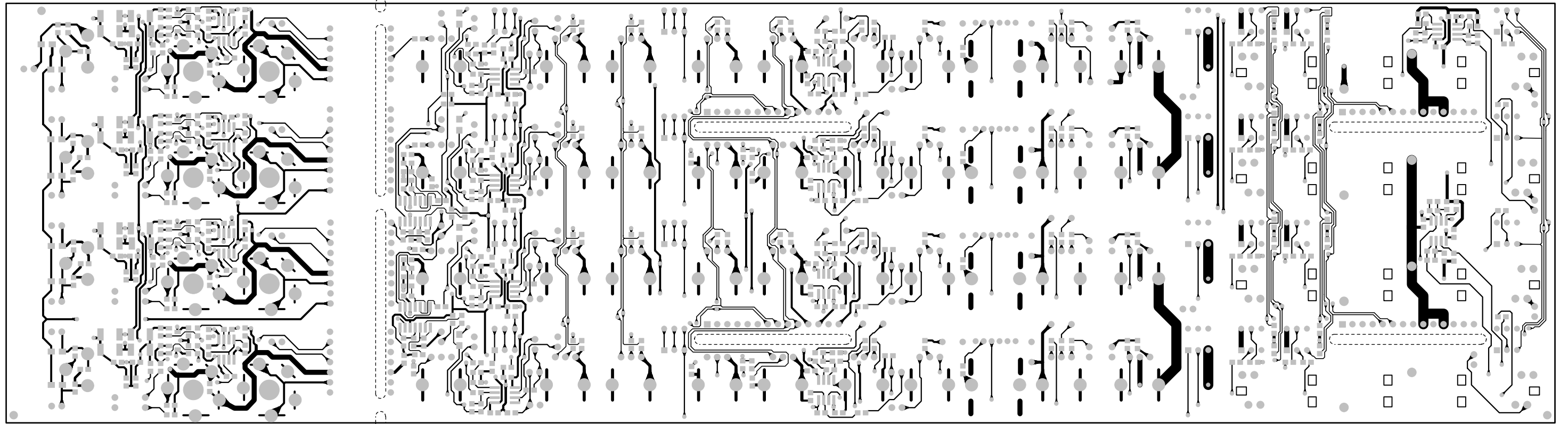


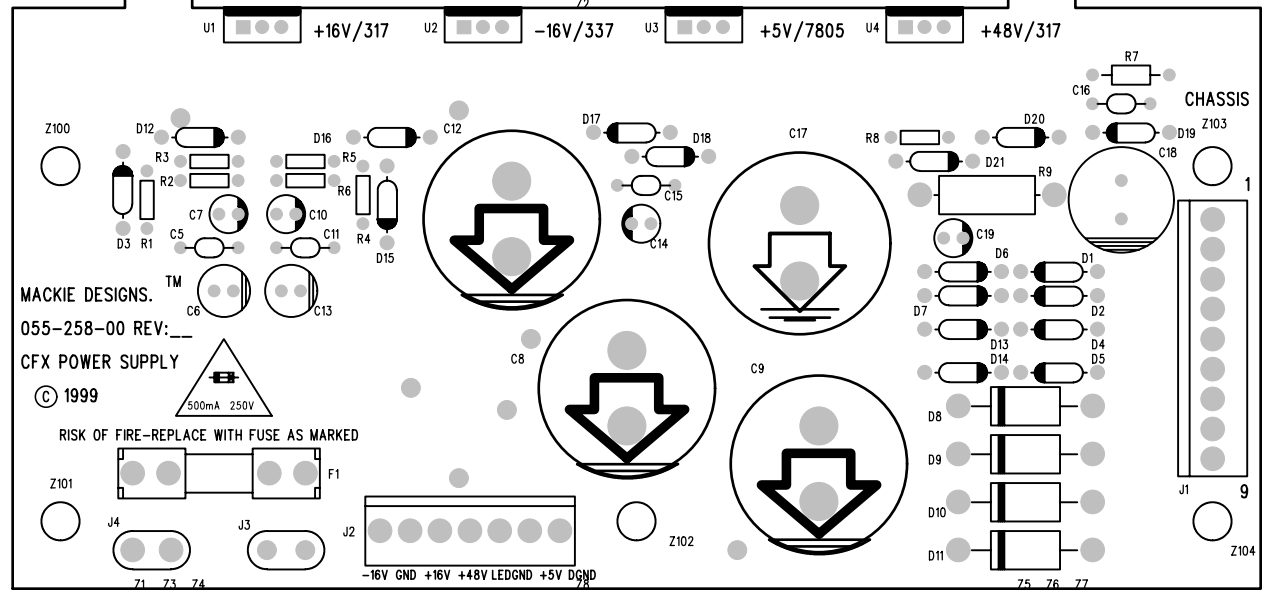
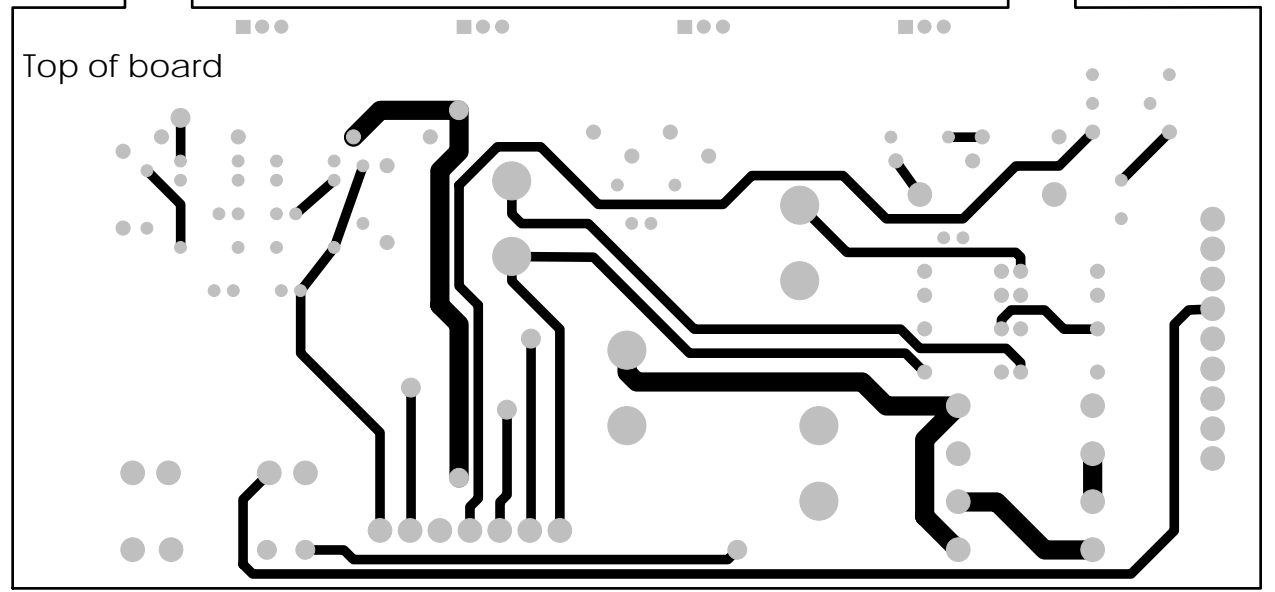
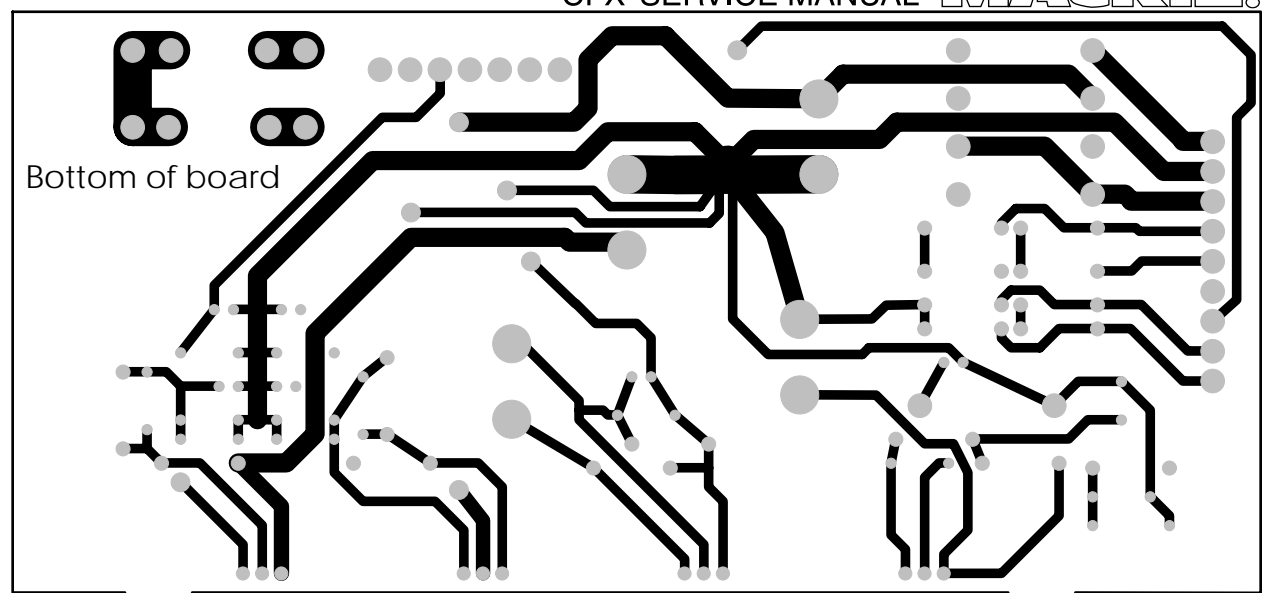
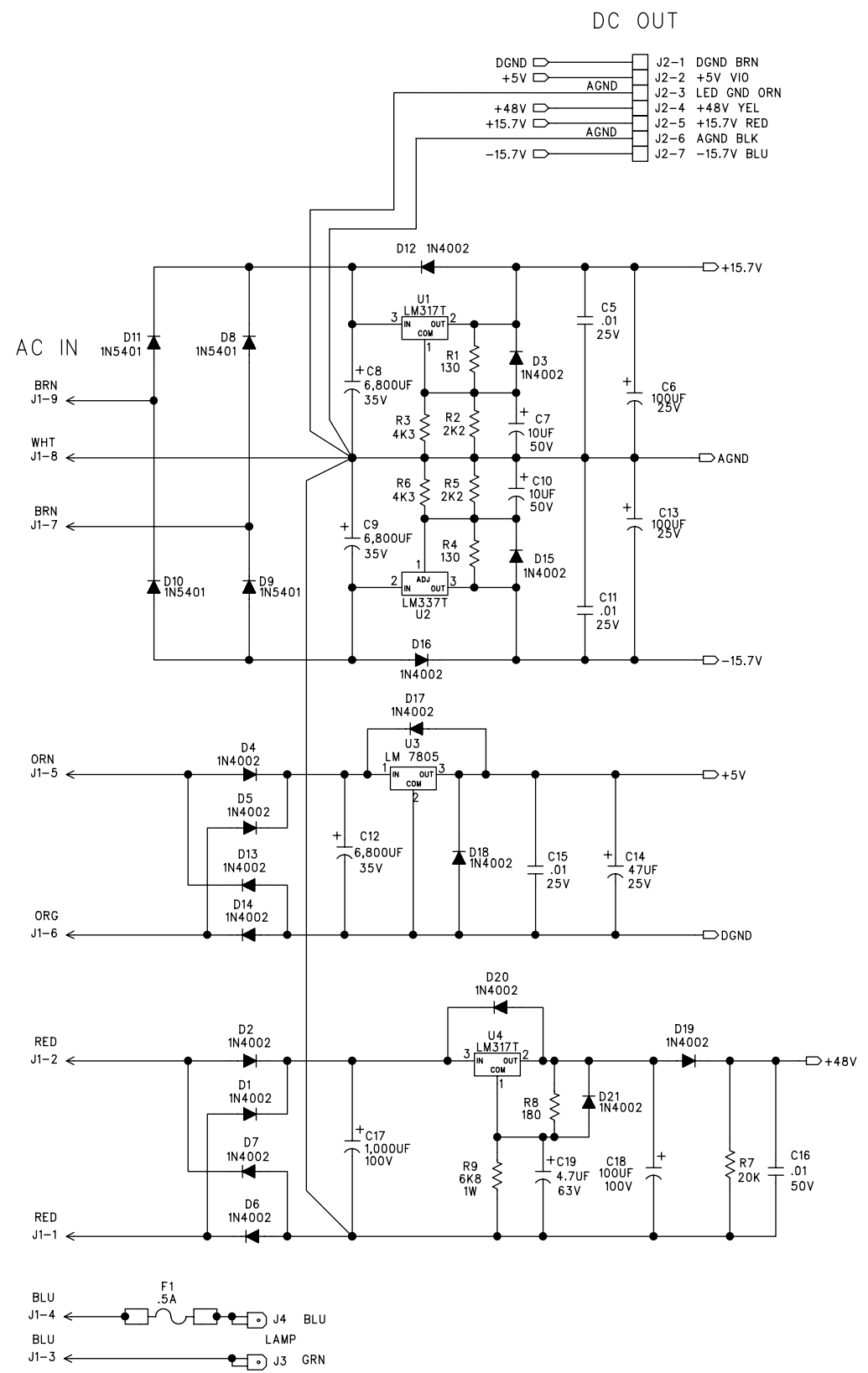
The CFX•12 has one of these boards, it adds four channels to the eight channels of the main board 241.
 The CFX•16 has two of these boards.
 The CFX•20 has three.

Bottom of Board

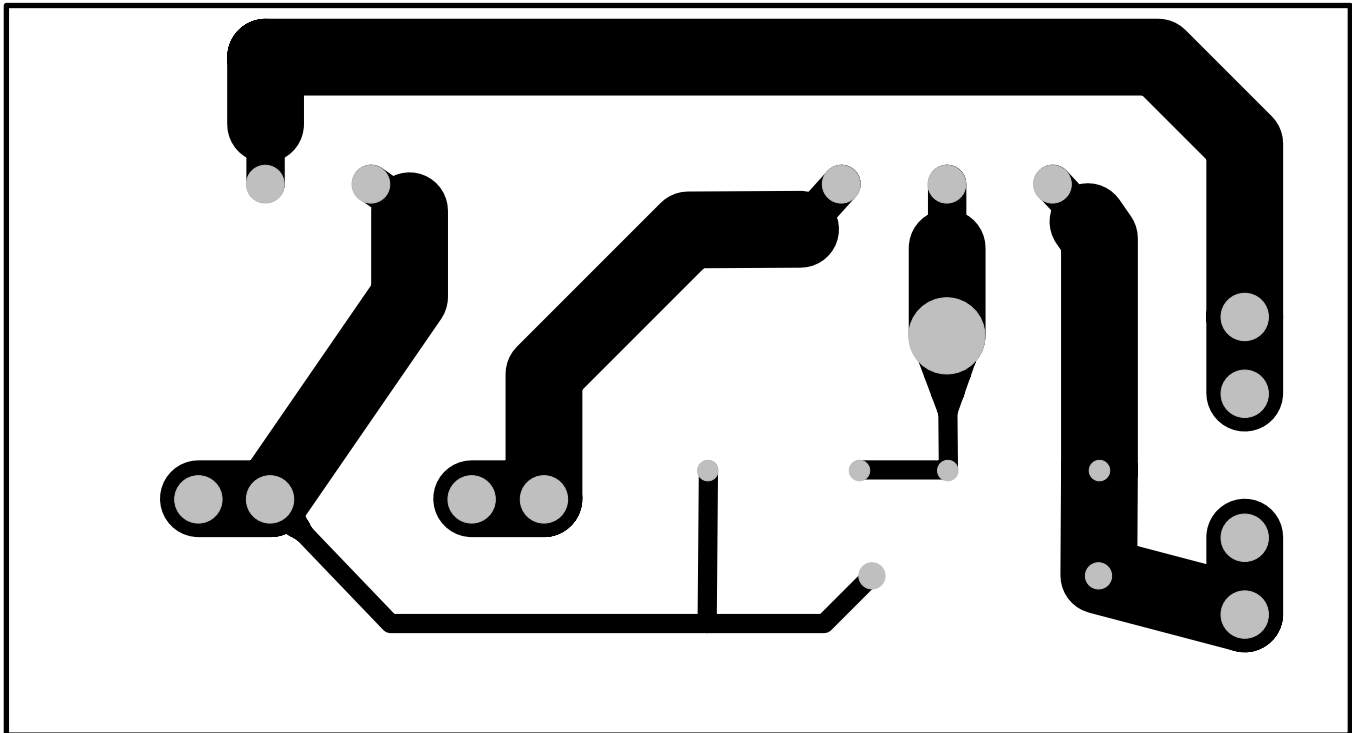


Top of Board

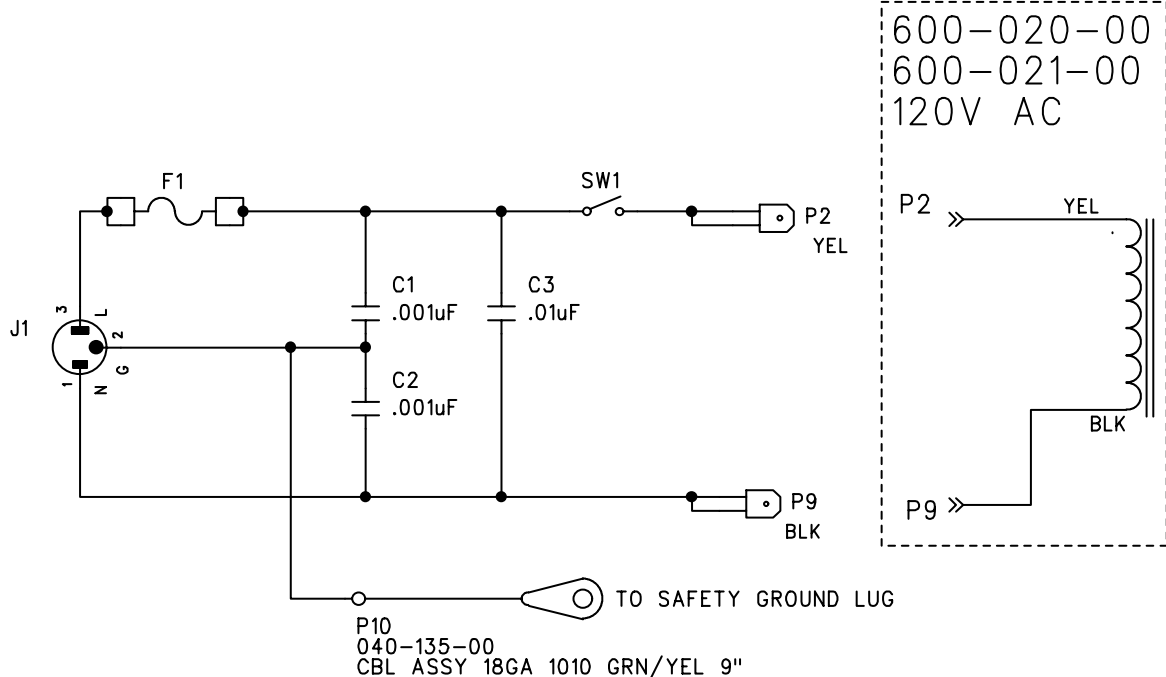




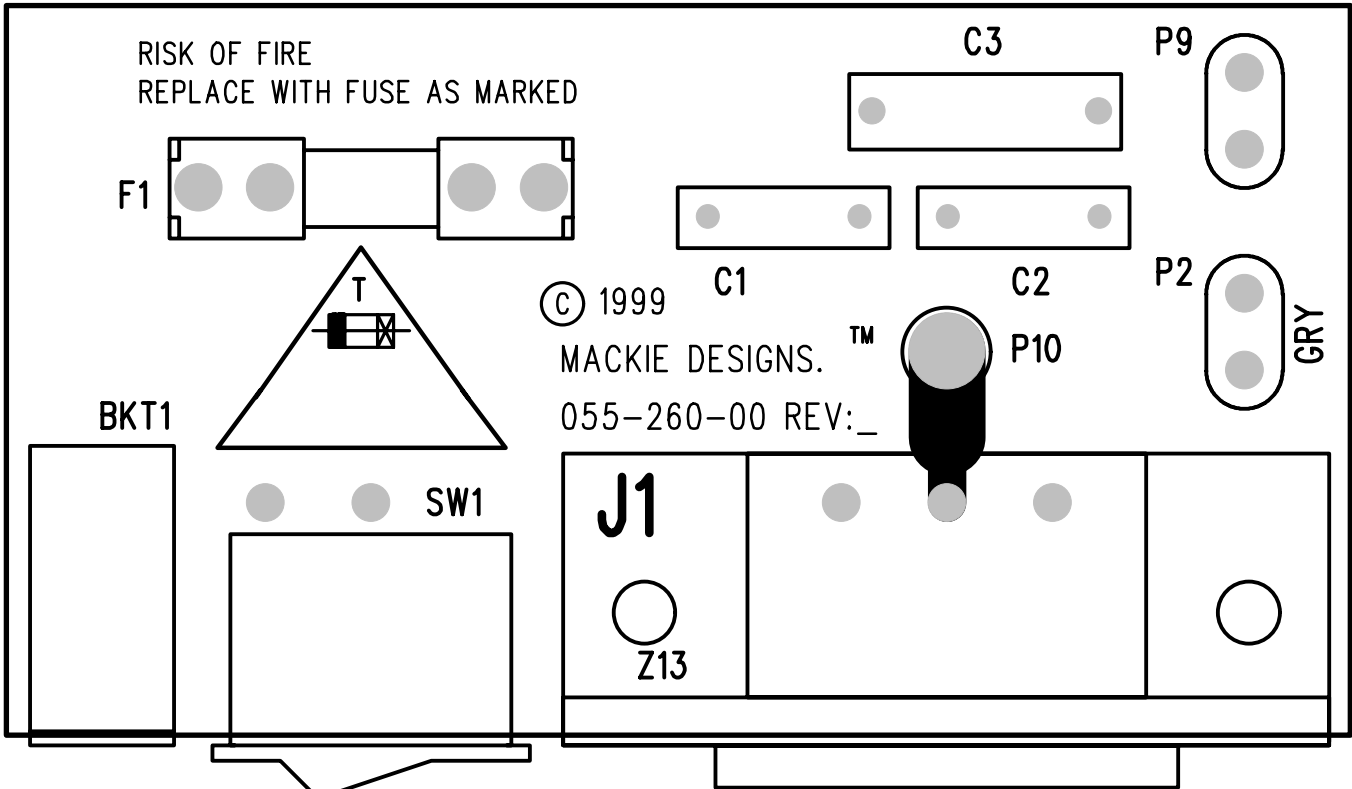
Bottom of board



| DASH # | VERSION | FUSE USED |
|------------|------------|-------------------------------|
| 055-260-01 | CFX 100VAC | 0.5A SLO-BLO 250V 510-002-00 |
| 055-260-02 | CFX 120VAC | 1.0A SLO-BLO 250V 510-001-00 |
| 055-260-03 | CFX 230VAC | 1.25A SLO-BLO 250V 510-025-00 |



- 712-021-01 RIVET, CL END .125
- 712-020-00 BRKT ANG 6-32X.037THK STL
- 400-060-00 FUSE CLIP PCMT 5MM DIA
- 450-260-00 PCB, CFX AC POWER INPUT



Top of board