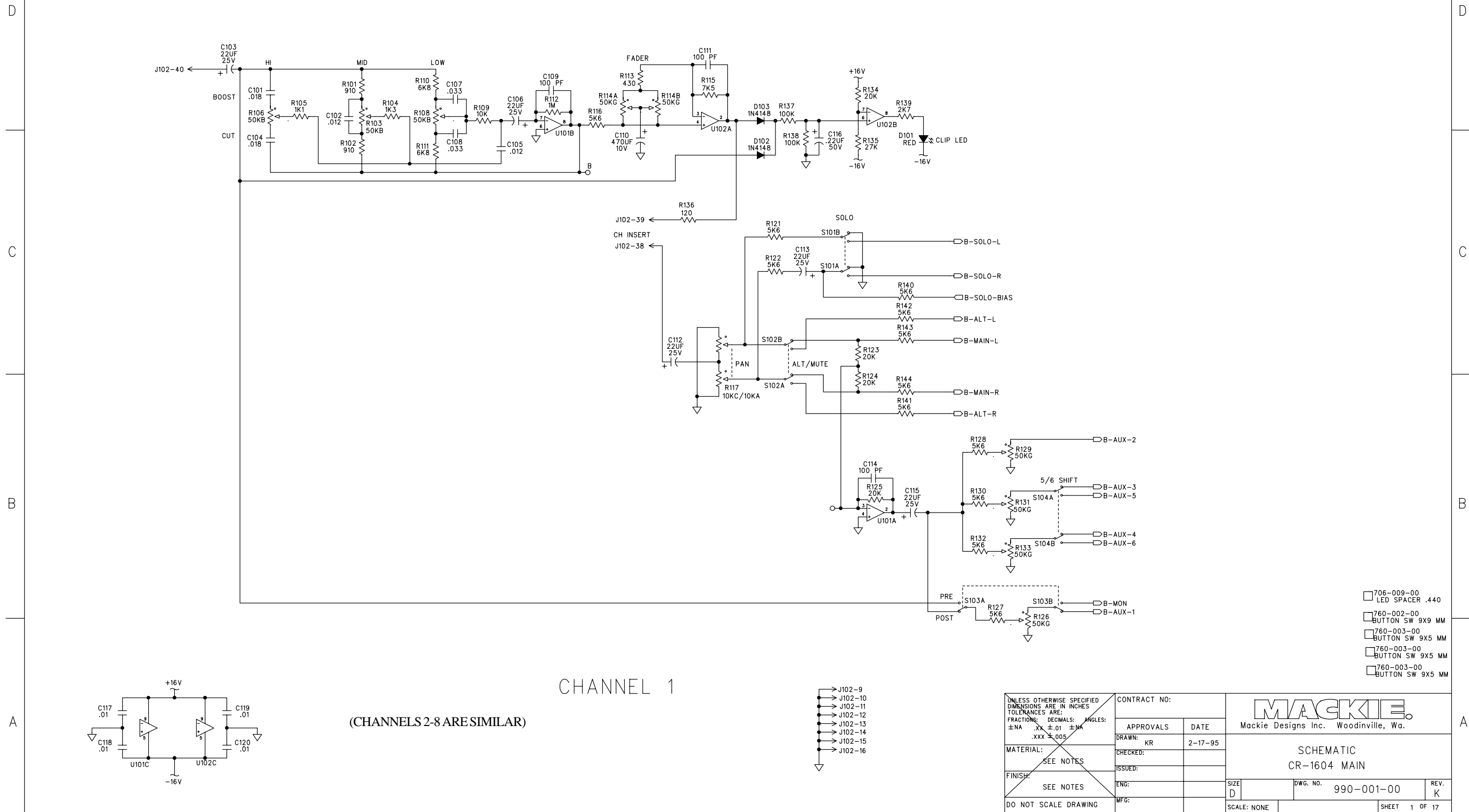


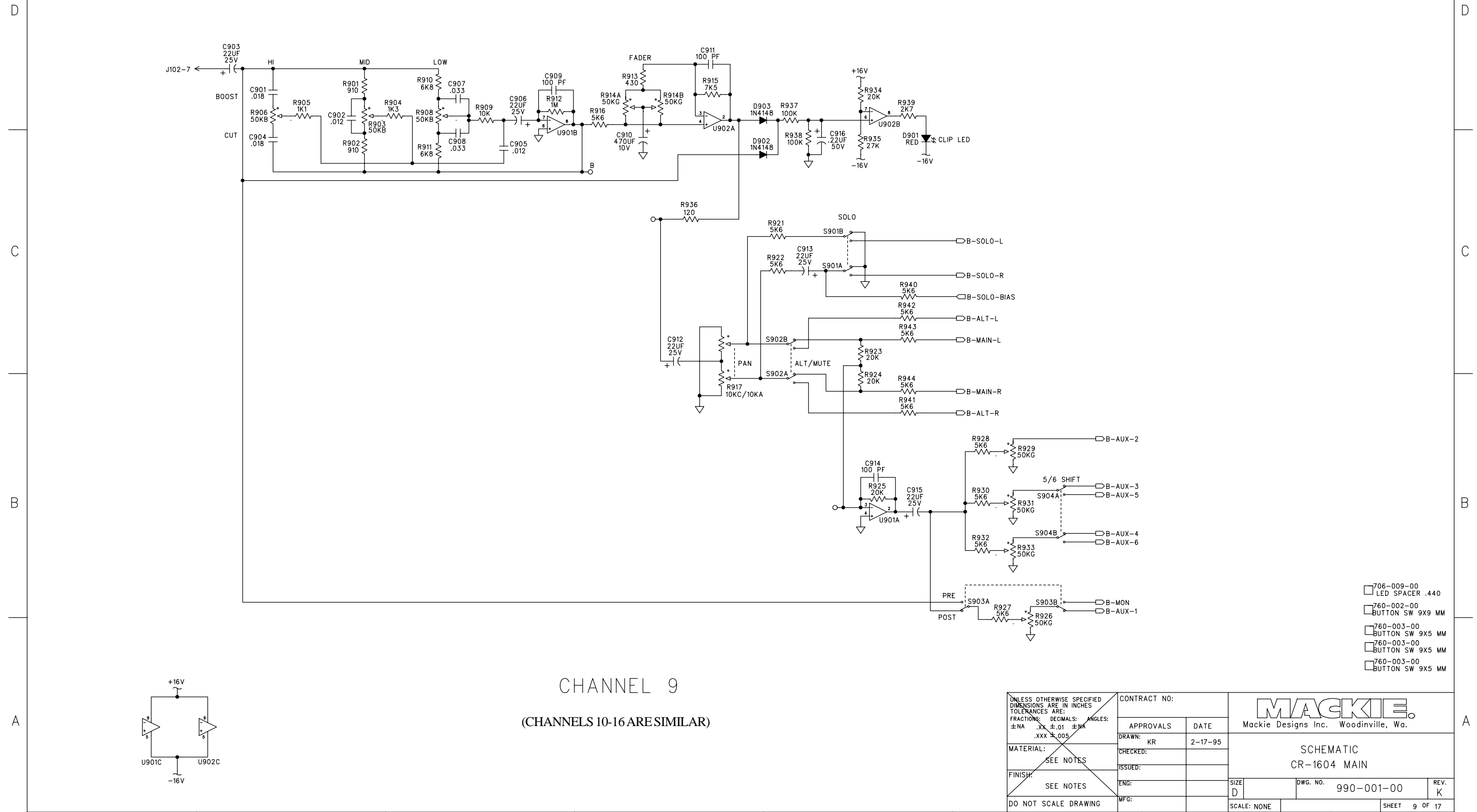
DWG. NO.	990-001-00	SHT	1	REV:	K	1
ECO#	REV:	DESCRIPTION	REV. BY:	APP. BY:	DATE	
J		INCORPORATED ECO'S 307,368,400,401, 427,429,486,546 AND 547	KR		2-17-95	
K		INCORPORATED MISC. PCB REFINEMENTS	KR		4-26-95	



CHANNEL 1

(CHANNELS 2-8 ARE SIMILAR)

UNLESS OTHERWISE SPECIFIED DIMENSIONS ARE IN INCHES TOLERANCES ARE: FRACTIONS: DECIMALS: ANGLES: ±.NA .XX ±.01 ±.NA .XXX ±.005 MATERIAL: SEE NOTES FINISH: SEE NOTES DO NOT SCALE DRAWING	CONTRACT NO:		MACKIE Mackie Designs Inc. Woodinville, Wa. SCHEMATIC CR-1604 MAIN
	APPROVALS	DATE	
	DRAWN: KR	2-17-95	
	CHECKED:		
	ISSUED:		SIZE D DWG. NO. 990-001-00 REV. K SCALE: NONE SHEET 1 OF 17
	ENG:		
	MFG:		



CHANNEL 9
(CHANNELS 10-16 ARE SIMILAR)

- 706-009-00 LED SPACER .440
- 760-002-00 BUTTON SW 9X9 MM
- 760-003-00 BUTTON SW 9X5 MM
- 760-003-00 BUTTON SW 9X5 MM
- 760-003-00 BUTTON SW 9X5 MM

UNLESS OTHERWISE SPECIFIED DIMENSIONS ARE IN INCHES TOLERANCES ARE: FRACTIONS: DECIMALS: ANGLES: ±.NA .XX ±.01 ±NA .XXX ±.005	CONTRACT NO:		Mackie Designs Inc. Woodinville, Wa.		
	APPROVALS	DATE			
	MATERIAL:	CHECKED:	ISSUED:	SIZE	DWG. NO. 990-001-00
	FINISH:	ENG:	MFG:	SCALE: NONE	REV. K
DO NOT SCALE DRAWING				SHEET 9 OF 17	

