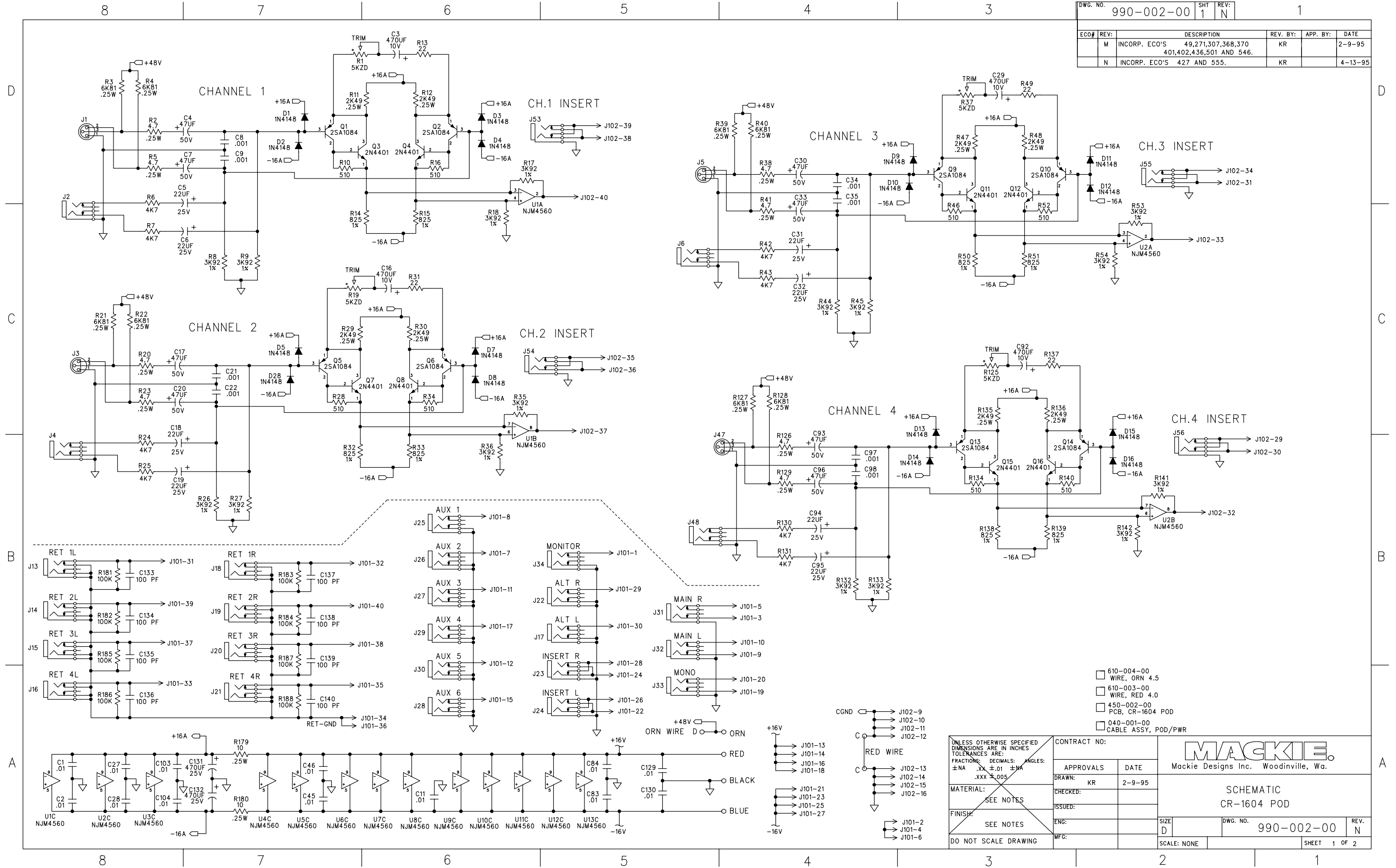
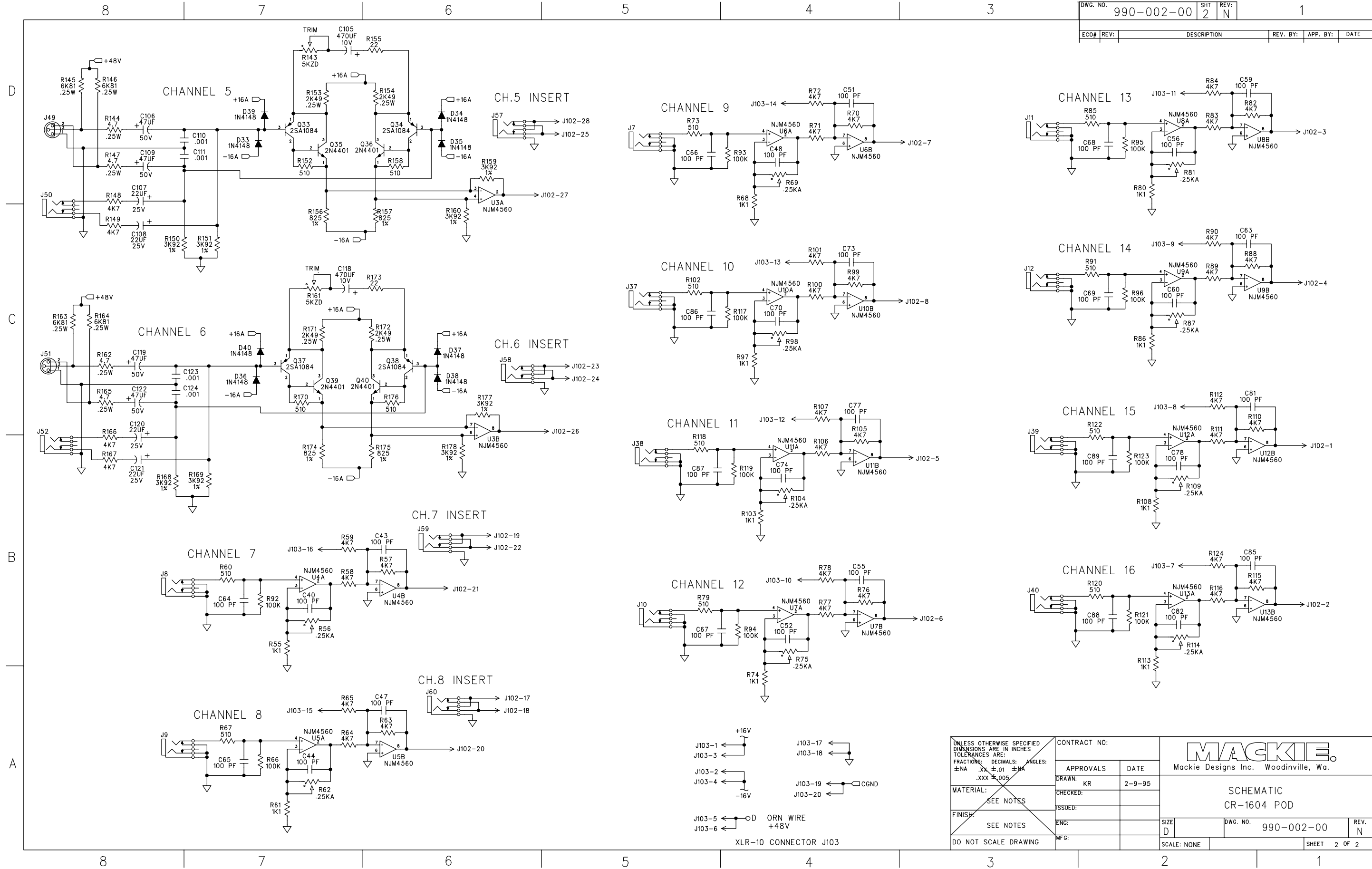


DWG. NO.	990-002-00	SHT	1	REV.	N
ECO#	REV.	DESCRIPTION	REV. BY.	APP. BY.	DATE
M		INCORP. ECO'S 49,271,307,368,370	KR		2-9-95
N		INCORP. ECO'S 401,402,436,501 AND 546.	KR		4-13-95
		427 AND 555.			



- 610-004-00 WIRE, ORN 4.5
- 610-003-00 WIRE, RED 4.0
- 450-002-00 PCB, CR-1604 POD
- 040-001-00 CABLE ASSY, POD/PWR

<p>UNLESS OTHERWISE SPECIFIED DIMENSIONS ARE IN INCHES TOLERANCES ARE:</p> <p>FRACTIONS: DECIMALS: ANGLES:</p> <p>±.NA .XX ±.01 ±.NA .xxx ±.005</p> <p>MATERIAL: SEE NOTES</p> <p>FINISH: SEE NOTES</p> <p>DO NOT SCALE DRAWING</p>	CONTRACT NO:		<p><b>MACKIE</b></p> <p>Mackie Designs Inc. Woodville, Wa.</p>	
	APPROVALS	DATE		
	DRAWN: KR	2-9-95	SCHEMATIC	
	CHECKED:		CR-1604 POD	
ISSUED:		SIZE	DWG. NO.	REV.
ENG:		D	990-002-00	N
MFG:		SCALE: NONE	SHEET 1 OF 2	



UNLESS OTHERWISE SPECIFIED DIMENSIONS ARE IN INCHES. FRACTIONS: DECIMALS: ANGLES: ±NA .XX ±.01 ±MA .XXX ±.005	CONTRACT NO:		 Mackie Designs Inc. Woodville, Wa.		
	APPROVALS:	DATE:			
	MATERIAL:	CHECKED: KR	2-9-95	SCHEMATIC CR-1604 POD	
	FINISH:	ISSUED:	ENG:		
DO NOT SCALE DRAWING	MFC:	SCALE: NONE	DWG. NO. 990-002-00	REV. N	

