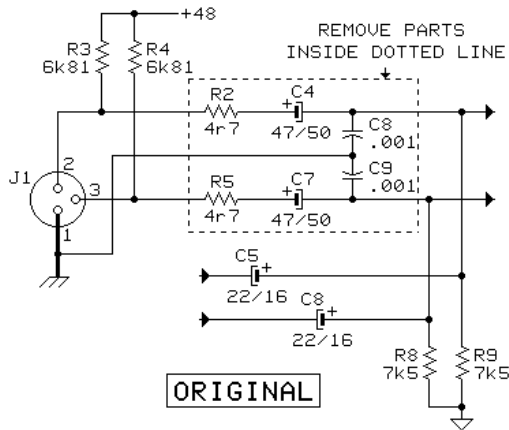
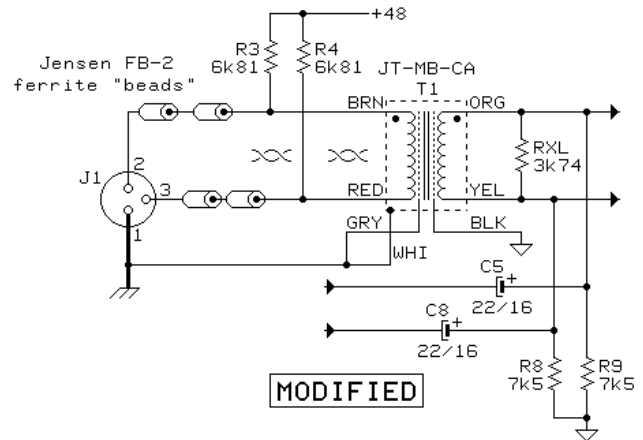


INTERNAL MODIFICATION OF MIC INPUTS OF THE MACKIE 1604

EXTENDS COMMON-MODE REJECTION VOLTAGE RANGE TO $\pm 300 \text{ V}$
 and VIRTUALLY ELIMINATES RF INTERFERENCE PROBLEMS



ORIGINAL



MODIFIED

NOTES

- RXL IS A $\pm 1\%$ $1/4\omega$ METAL FILM TYPE, ROEDERSTEIN MK2-1 OR EQUIVALENT, VALUE IN OHMS ($3k74 = 3.74k$)
- TIGHTLY TWIST LEADS AS SHOWN $\infty\infty$ IN PATH FROM J1 TO T1 TO MINIMIZE ELECTROMAGNETIC HUM PICKUP
- KEEP GRY, BLK, AND WHI LEADS SHORT AND CONNECT AS SHOWN (DO NOT TWIST WITH OTHER LEADS)
- INSTALL FERRITE BEADS AS CLOSE AS POSSIBLE TO J1 PINS FOR BEST FM & UHF REJECTION
- CONNECT PIN 1 OF EACH XLR TO METAL ENCLOSURE AS DIRECTLY AS POSSIBLE (SHORT HEAVY GAUGE WIRE)
- WHITE WIRE IS CONNECTED TO TRANSFORMER CASE (CASE NEED NOT BE INSULATED FROM ENCLOSURE)

jensen	AS074
	01/14/98
7135 HAYVENHURST AVE. VAN NUYS, CALIFORNIA 91406 (818) 374-5857	