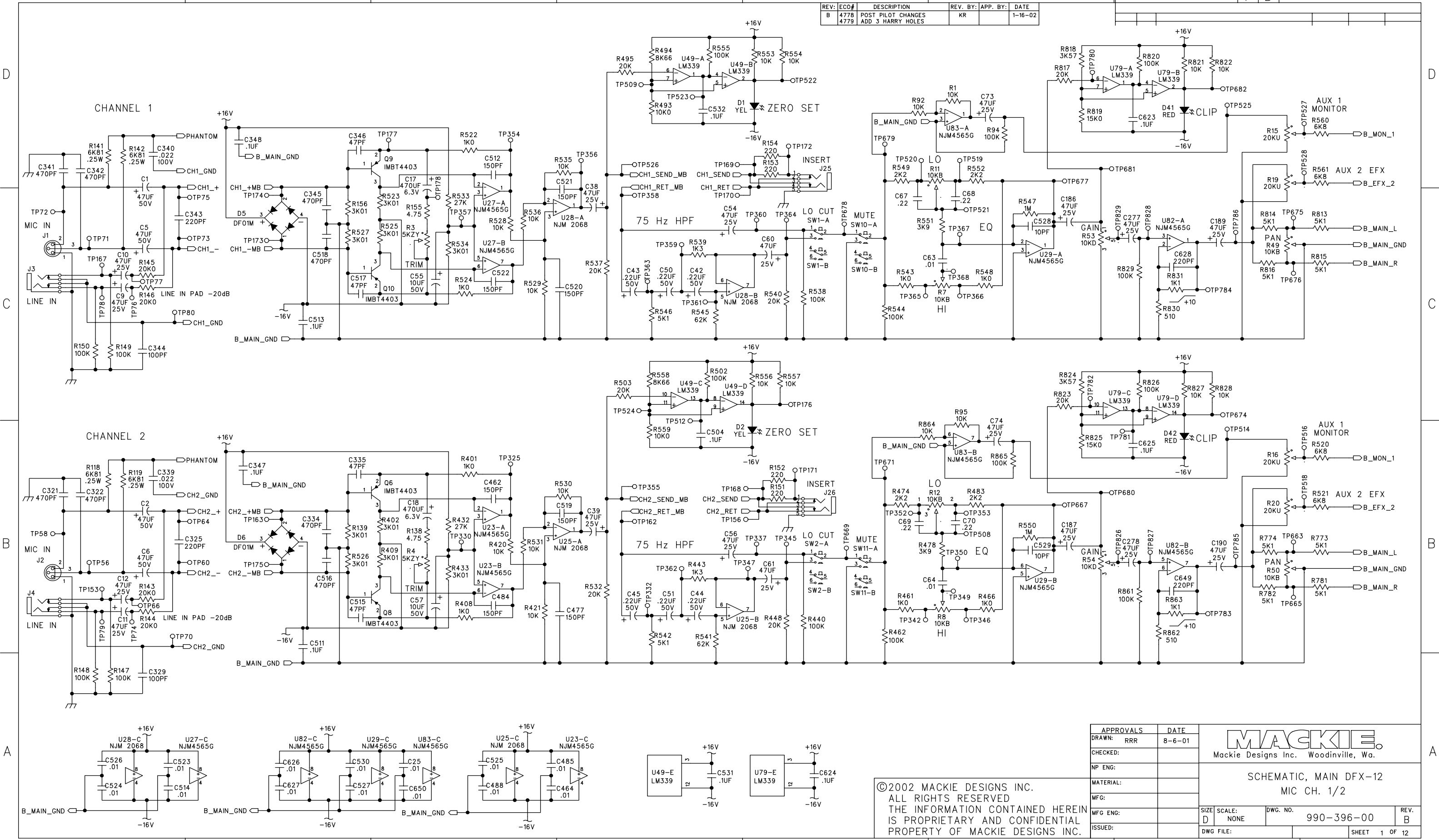


REV:	ECO#	DESCRIPTION	REV. BY:	APP. BY:	DATE
B	4778	POST PILOT CHANGES	KR		1-16-02
	4779	ADD 3 HARRY HOLES			



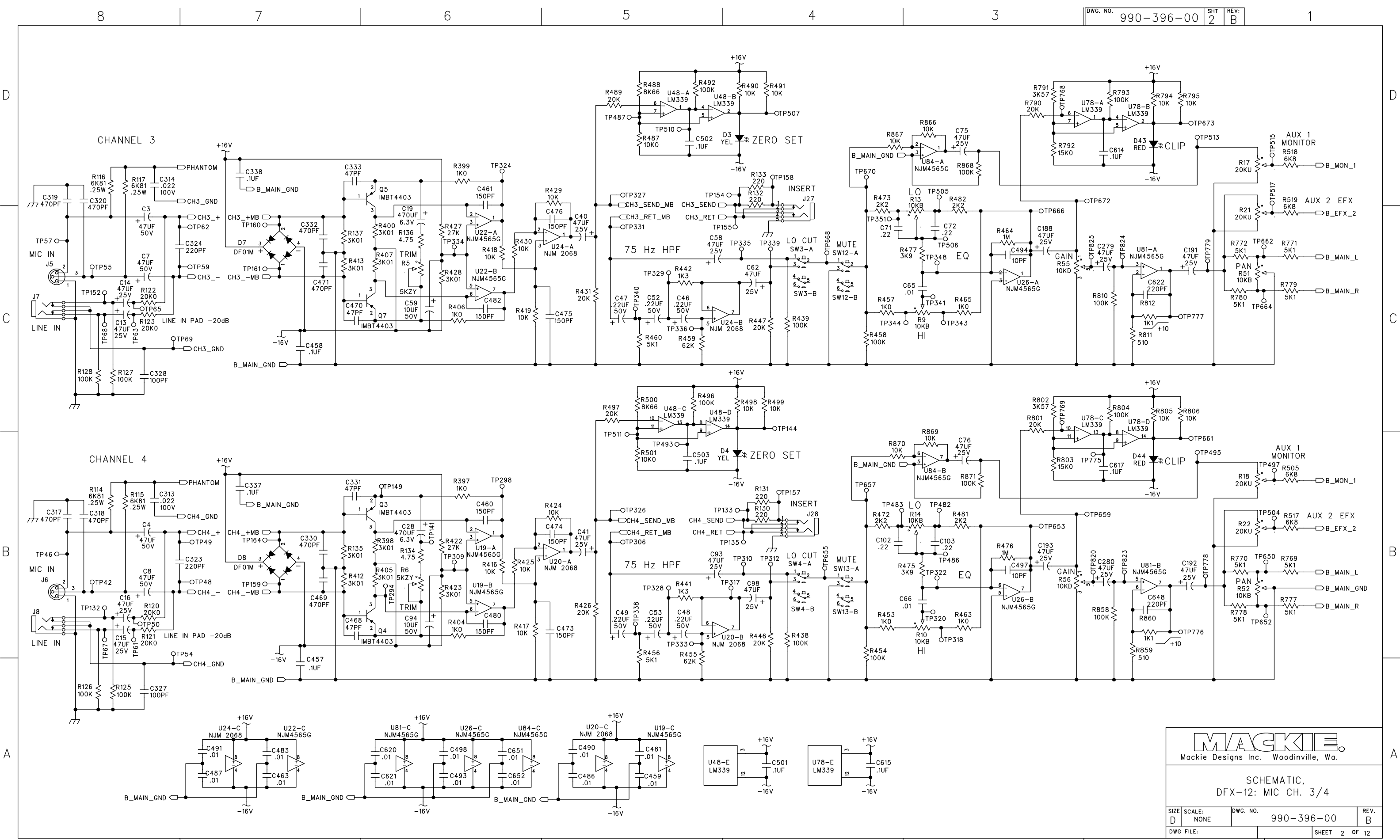
APPROVALS		DATE
DRAWN:	RRR	8-6-01
CHECKED:		
NP ENG:		
MATERIAL:		
MFG:		
MFG ENG:		
ISSUED:		



SCHEMATIC, MAIN DFX-12  
MIC CH. 1/2

©2002 MACKIE DESIGNS INC.  
ALL RIGHTS RESERVED  
THE INFORMATION CONTAINED HEREIN  
IS PROPRIETARY AND CONFIDENTIAL  
PROPERTY OF MACKIE DESIGNS INC.

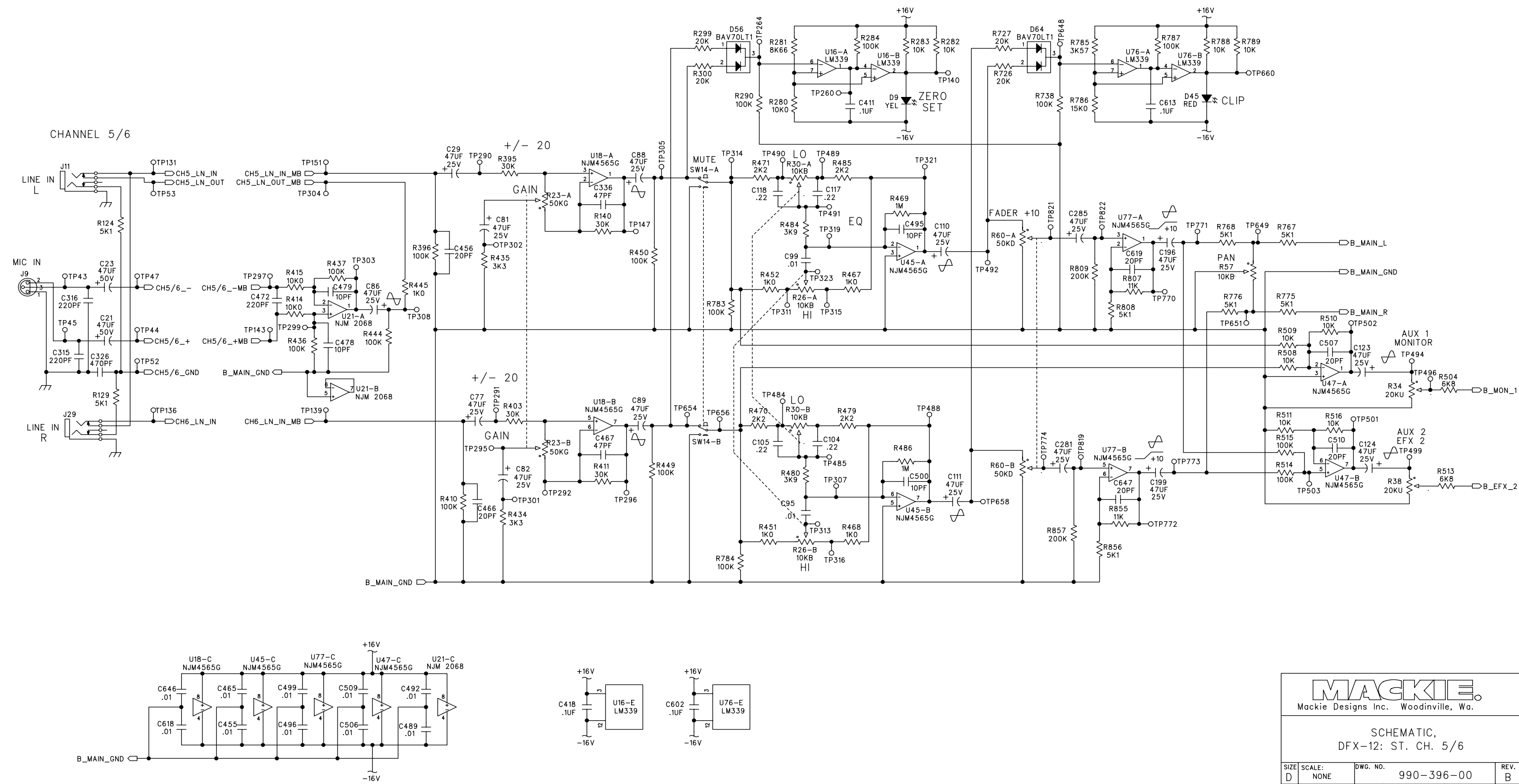
SIZE	SCALE:	DWG. NO.	REV.
D	NONE	990-396-00	B
DWG FILE:			SHEET 1 OF 12



**MACKIE**  
Mackie Designs Inc. Woodinville, Wa.

SCHMATIC,  
DFX-12: MIC CH. 3/4

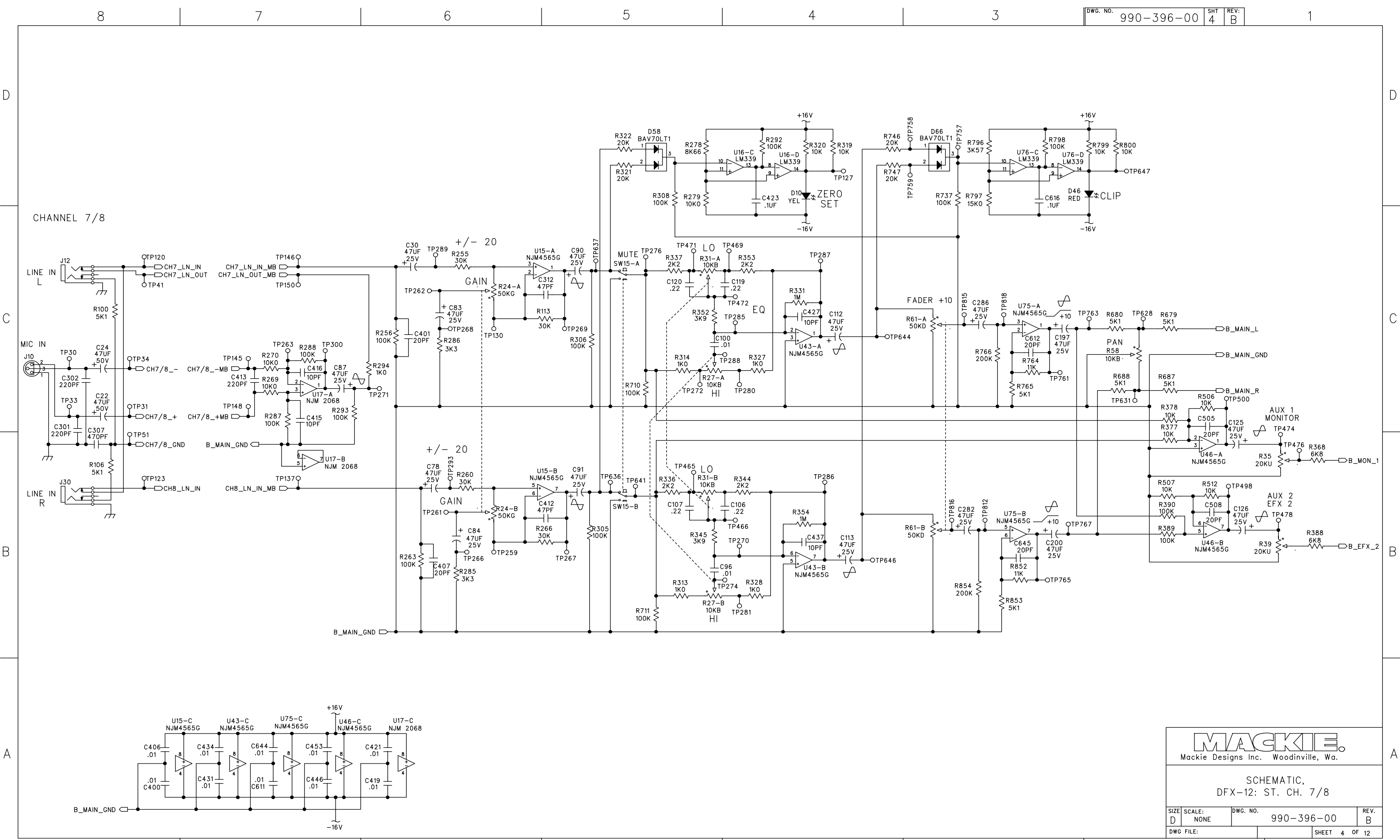
SIZE: D	SCALE: NONE	DWG. NO. 990-396-00	REV: B
DWG FILE:		SHEET 2 OF 12	



**MACKIE**  
Mackie Designs Inc. Woodinville, Wa.

SCHMATIC,  
DFX-12: ST. CH. 5/6

SIZE: D	SCALE: NONE	DWG. NO. 990-396-00	REV. B
DWG FILE:		SHEET 3 OF 12	



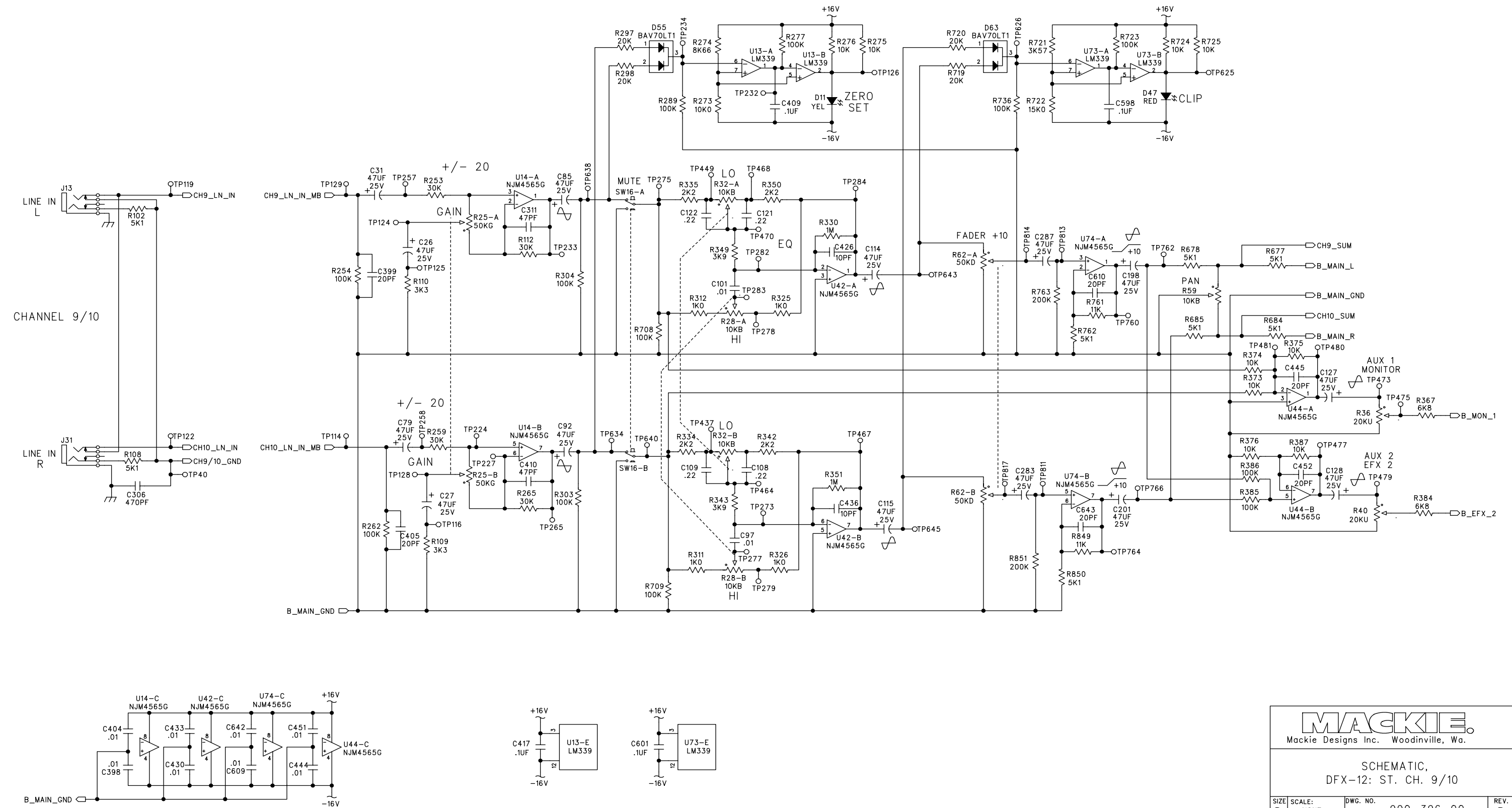
**MACKIE**  
Mackie Designs Inc. Woodinville, Wa.

SCHMATIC,  
DFX-12: ST. CH. 7/8

SIZE: D	SCALE: NONE	DWG. NO. 990-396-00	REV. B
DWG FILE:		SHEET 4 OF 12	



D  
C  
B  
A



**MACKIE**  
Mackie Designs Inc. Woodinville, Wa.

SCHMATIC,  
DFX-12: ST. CH. 9/10

SIZE: D	SCALE: NONE	DWG. NO. 990-396-00	REV. B
DWG FILE:		SHEET 5 OF 12	