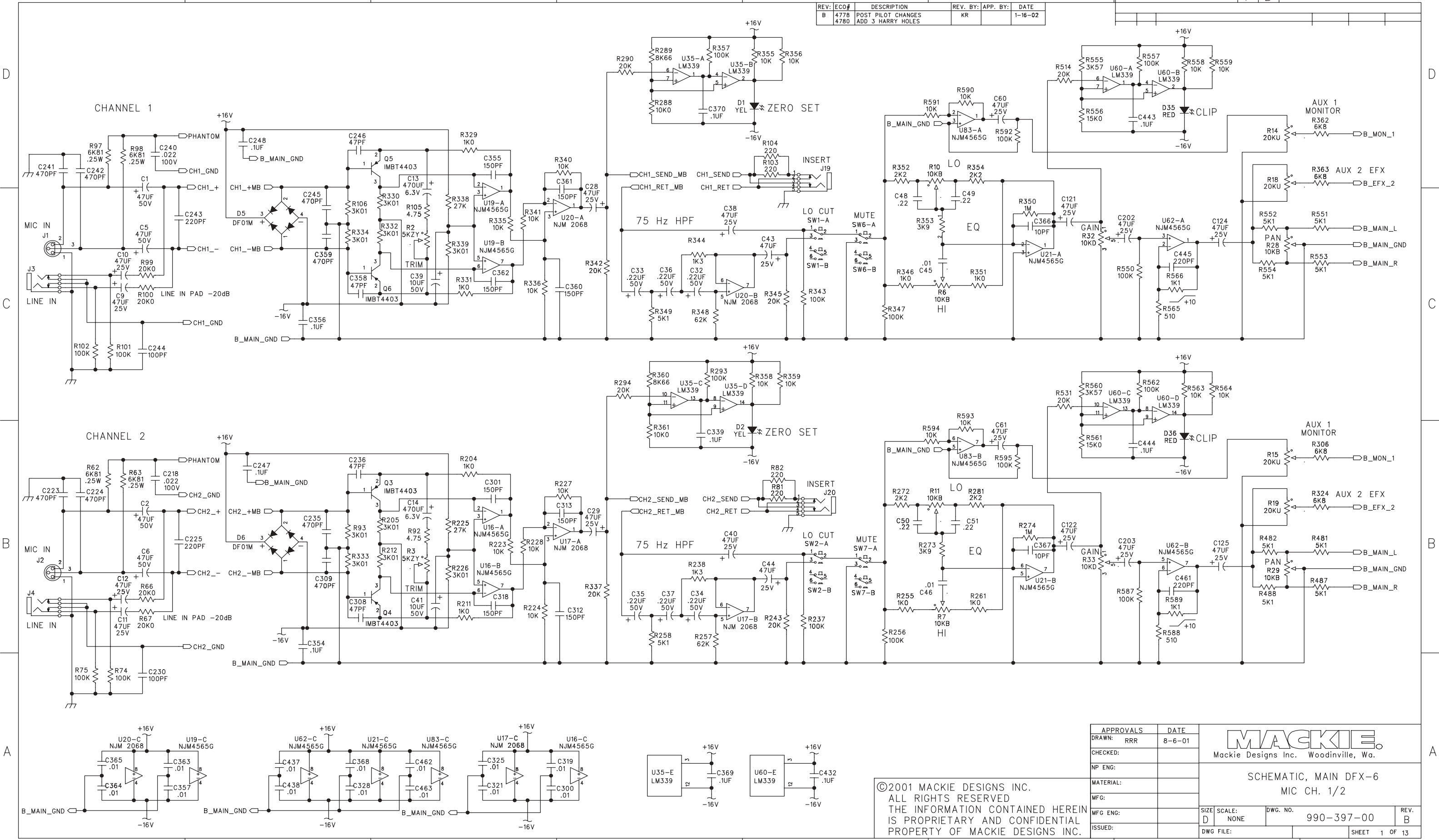


REV.	ECO#	DESCRIPTION	REV. BY:	APP. BY:	DATE
B	4778	POST PILOT CHANGES	KR		1-16-02
	4780	ADD 3 HARRY HOLES			



APPROVALS		DATE
DRAWN:	RRR	8-6-01
CHECKED:		
NP ENG:		
MATERIAL:		
MFG:		
MFG ENG:		
ISSUED:		

MACKIE
Mackie Designs Inc. Woodinville, Wa.

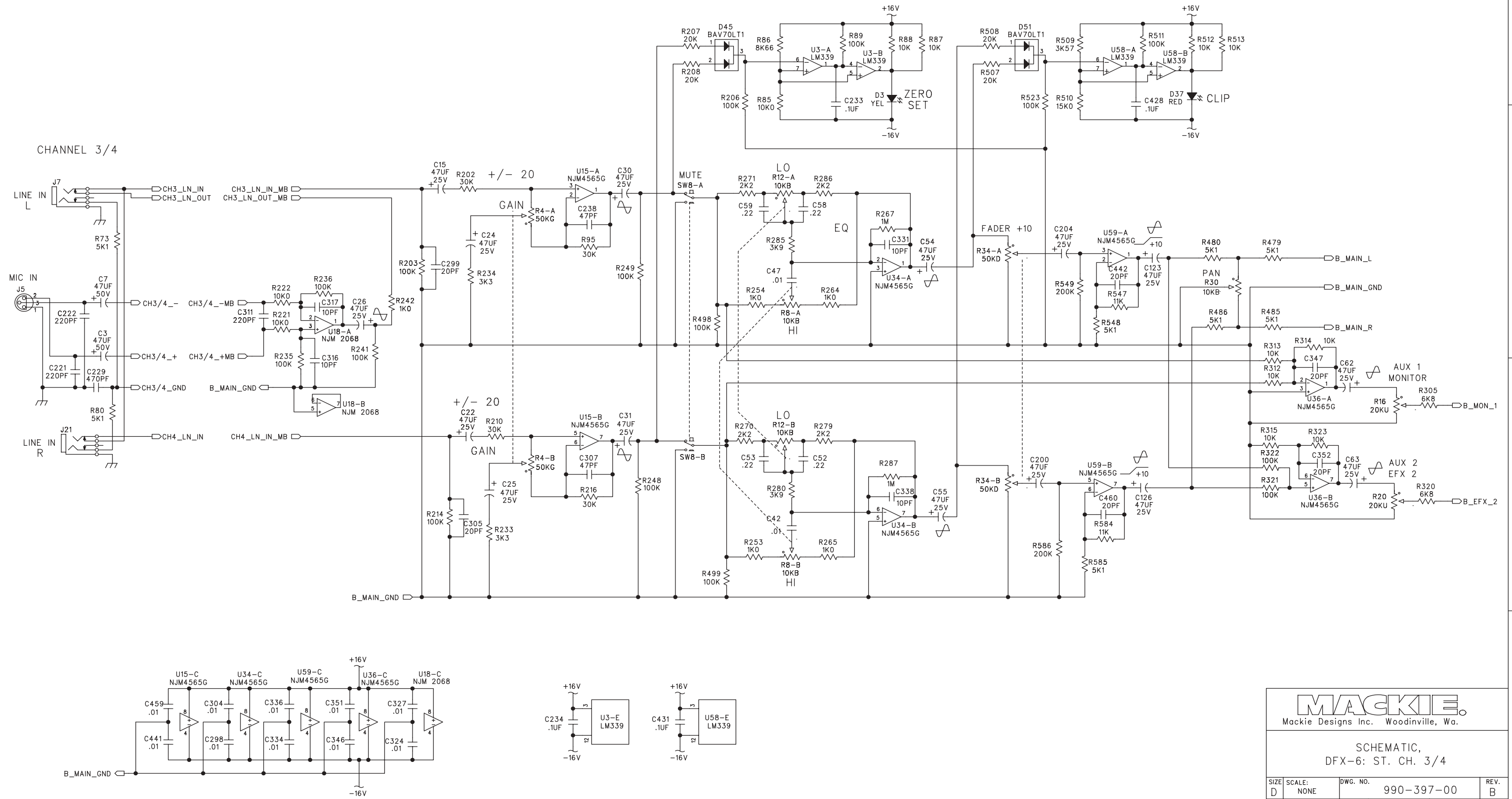
SCHEMATIC, MAIN DFX-6
MIC CH. 1/2

SIZE	SCALE:	DWG. NO.	REV.
D	NONE	990-397-00	B
DWG FILE:		SHEET 1 OF 13	

©2001 MACKIE DESIGNS INC.
ALL RIGHTS RESERVED
THE INFORMATION CONTAINED HEREIN
IS PROPRIETARY AND CONFIDENTIAL
PROPERTY OF MACKIE DESIGNS INC.

D
C
B
A

D
C
B
A

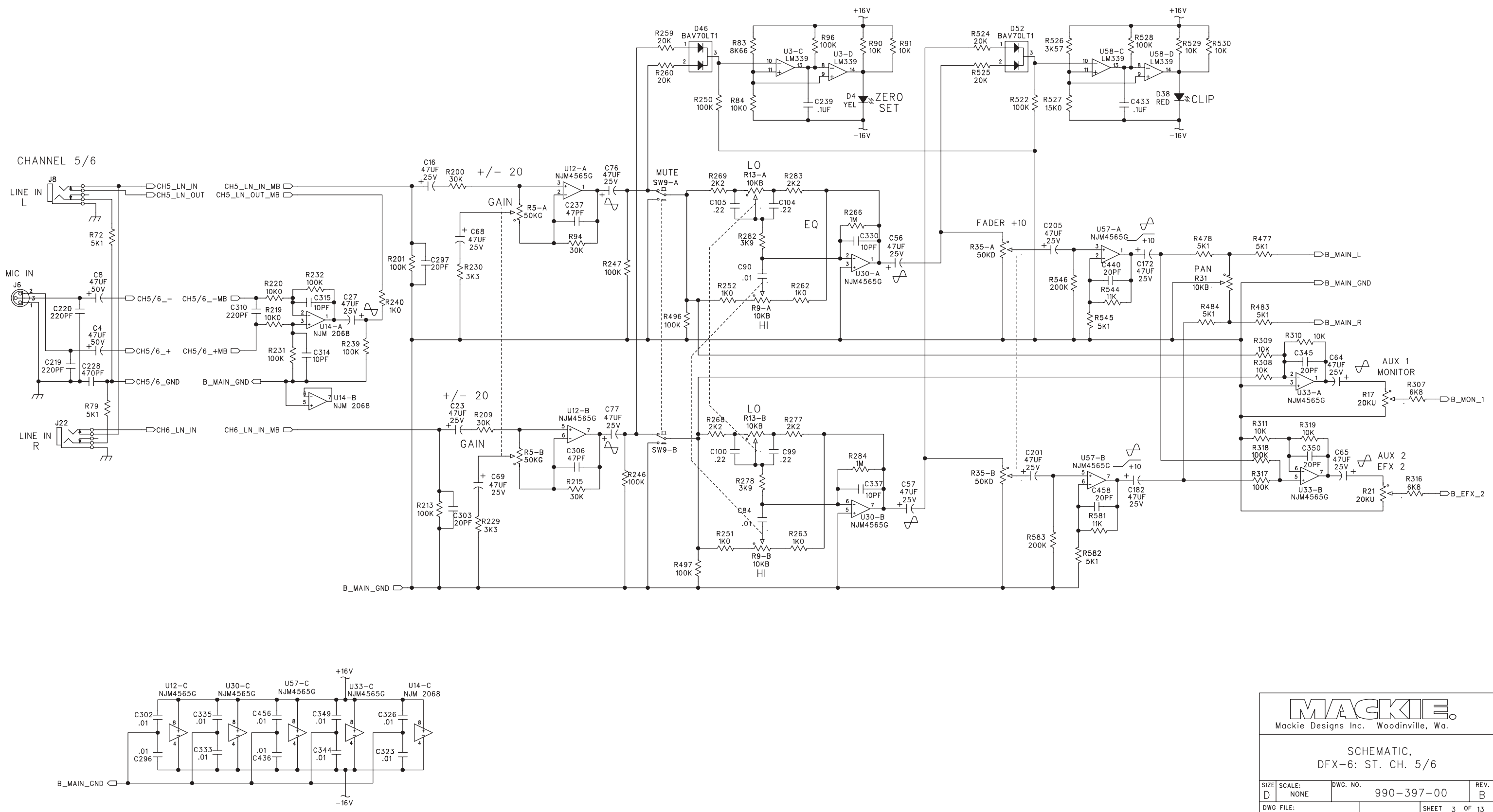


MACKIE
Mackie Designs Inc. Woodinville, Wa.

SCHMATIC,
DFX-6: ST. CH. 3/4

SIZE: D	SCALE: NONE	DWG. NO. 990-397-00	REV. B
DWG FILE:		SHEET 2 OF 13	

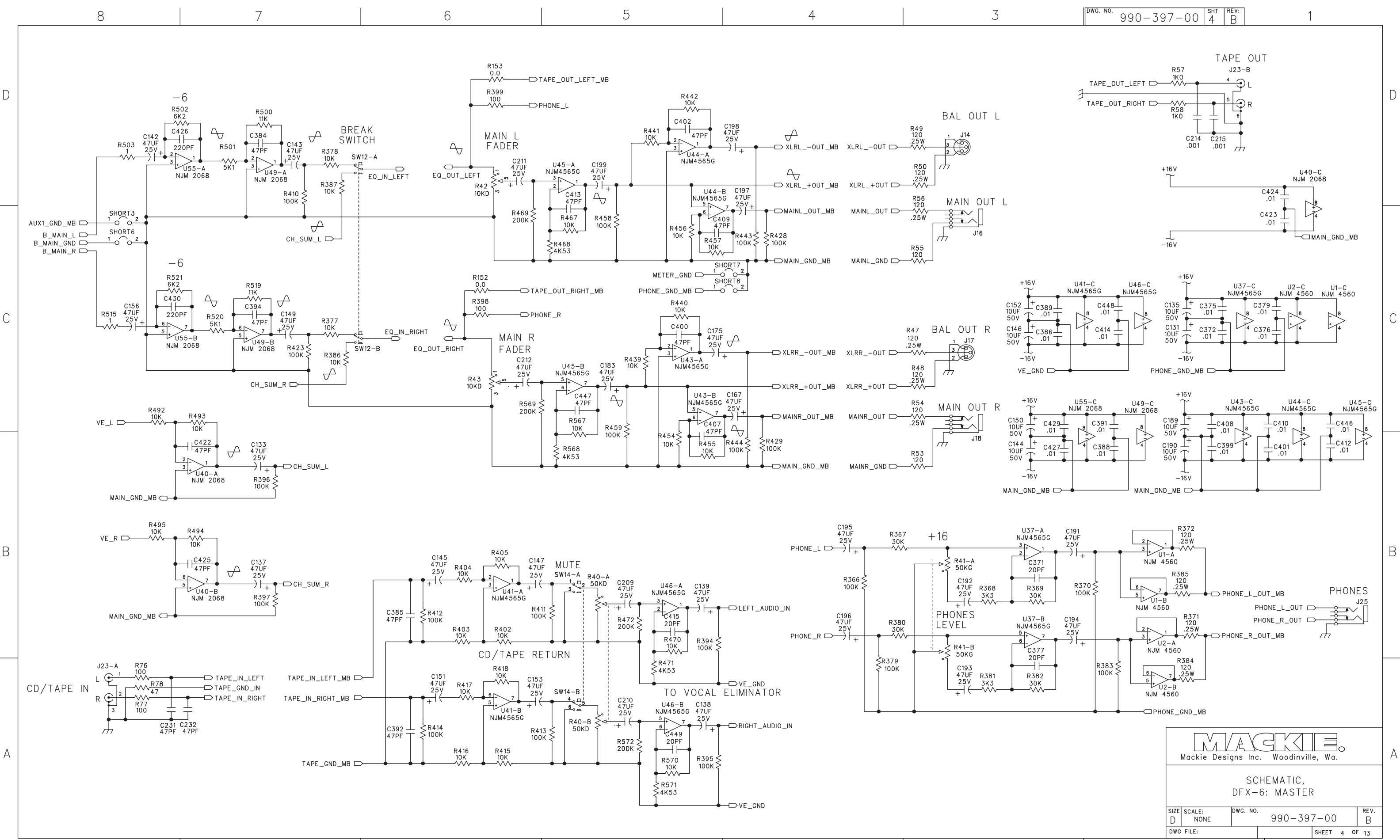
D
C
B
A



MACKIE
Mackie Designs Inc. Woodinville, Wa.

SCHMATIC,
DFX-6: ST. CH. 5/6

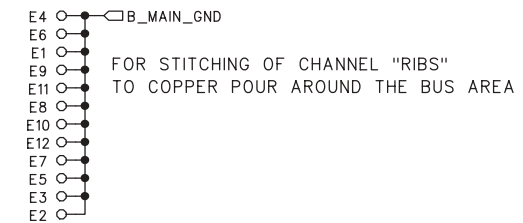
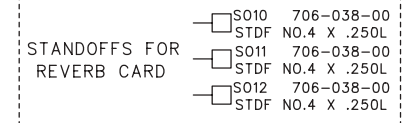
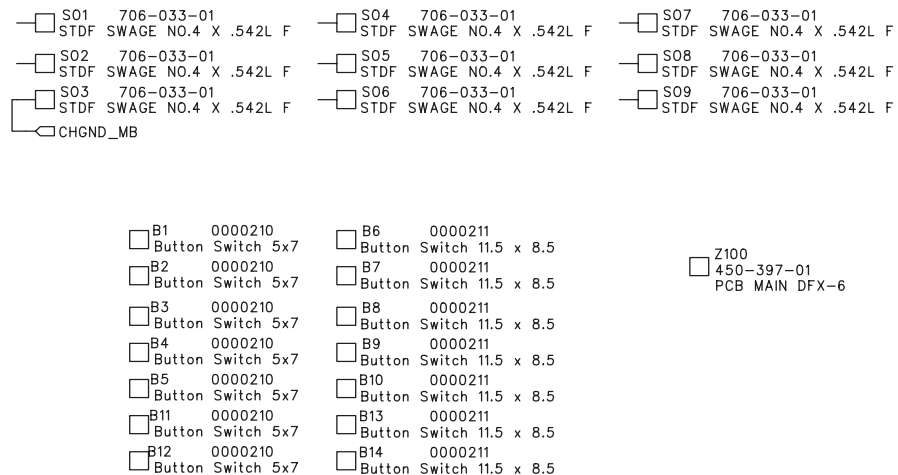
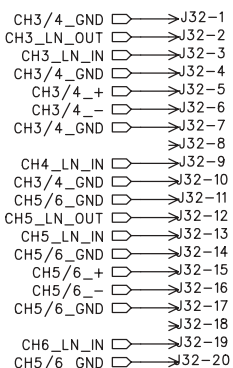
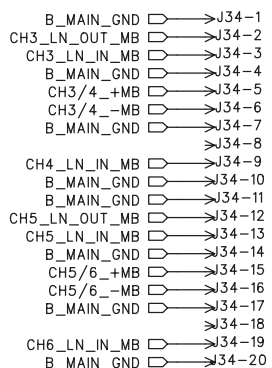
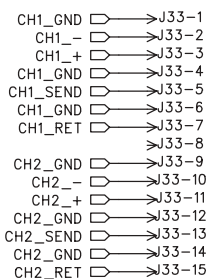
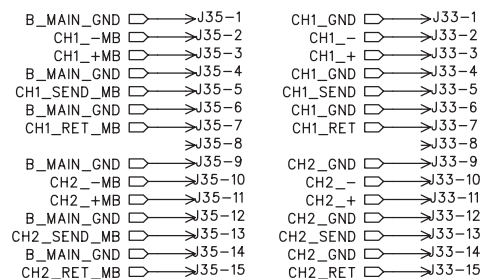
SIZE: D	SCALE: NONE	DWG. NO. 990-397-00	REV. B
DWG FILE:		SHEET 3 OF 13	



MACKIE
Mackie Designs Inc. Woodinville, Wa.

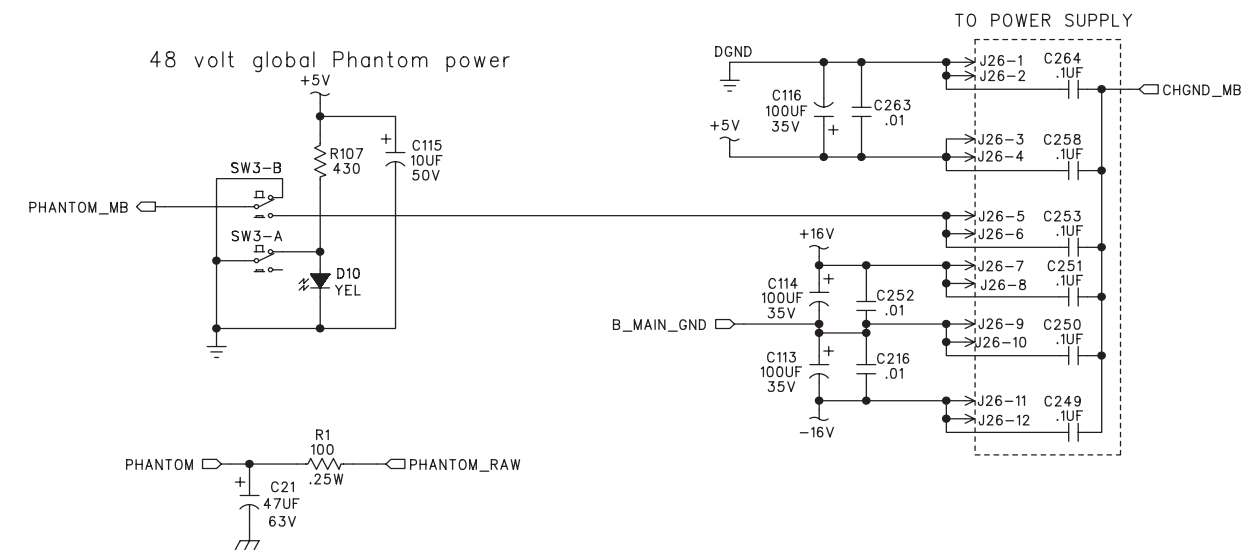
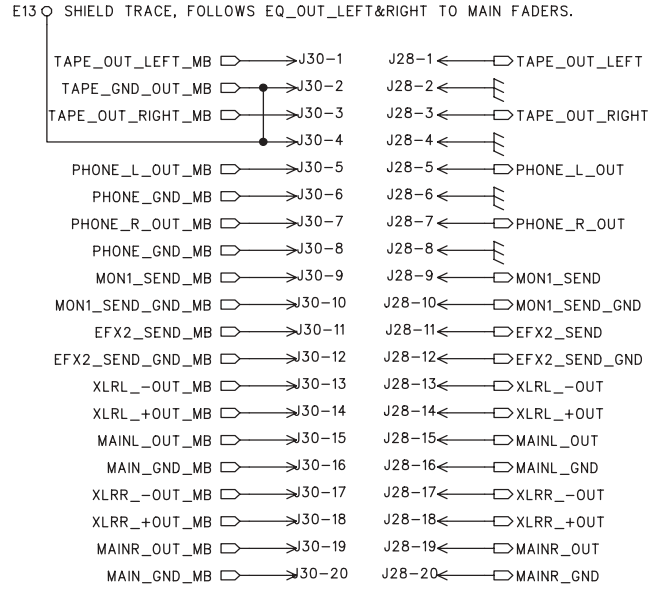
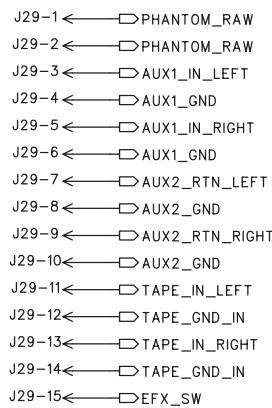
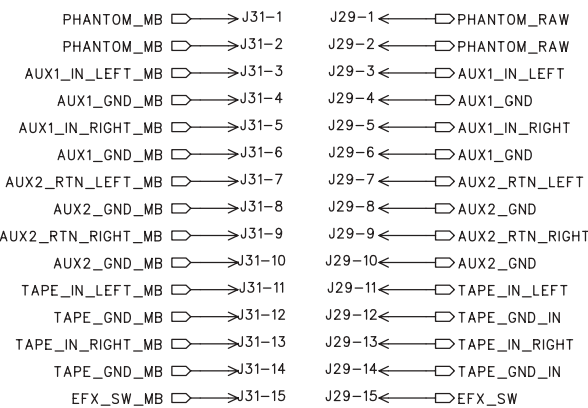
SCHMATIC,
DFX-6: MASTER

SIZE: D	SCALE: NONE	DWG. NO. 990-397-00	REV. B
DWG FILE:		SHEET 4 OF 13	



D
C
B
A

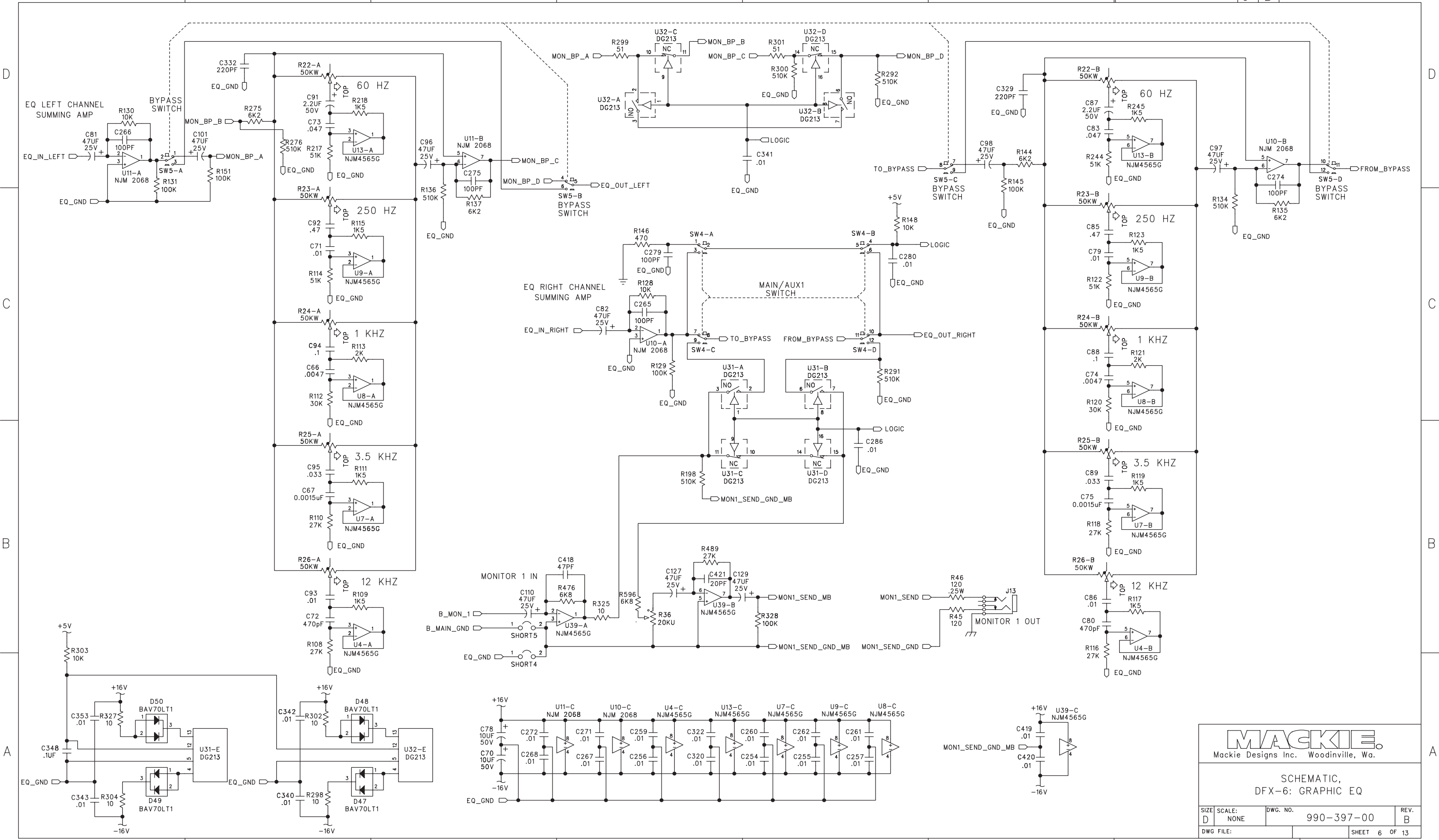
D
C
B
A



MACKIE
 Mackie Designs Inc. Woodinville, Wa.

SCHMATIC,
 DFX-6: CONNECTORS/POWER

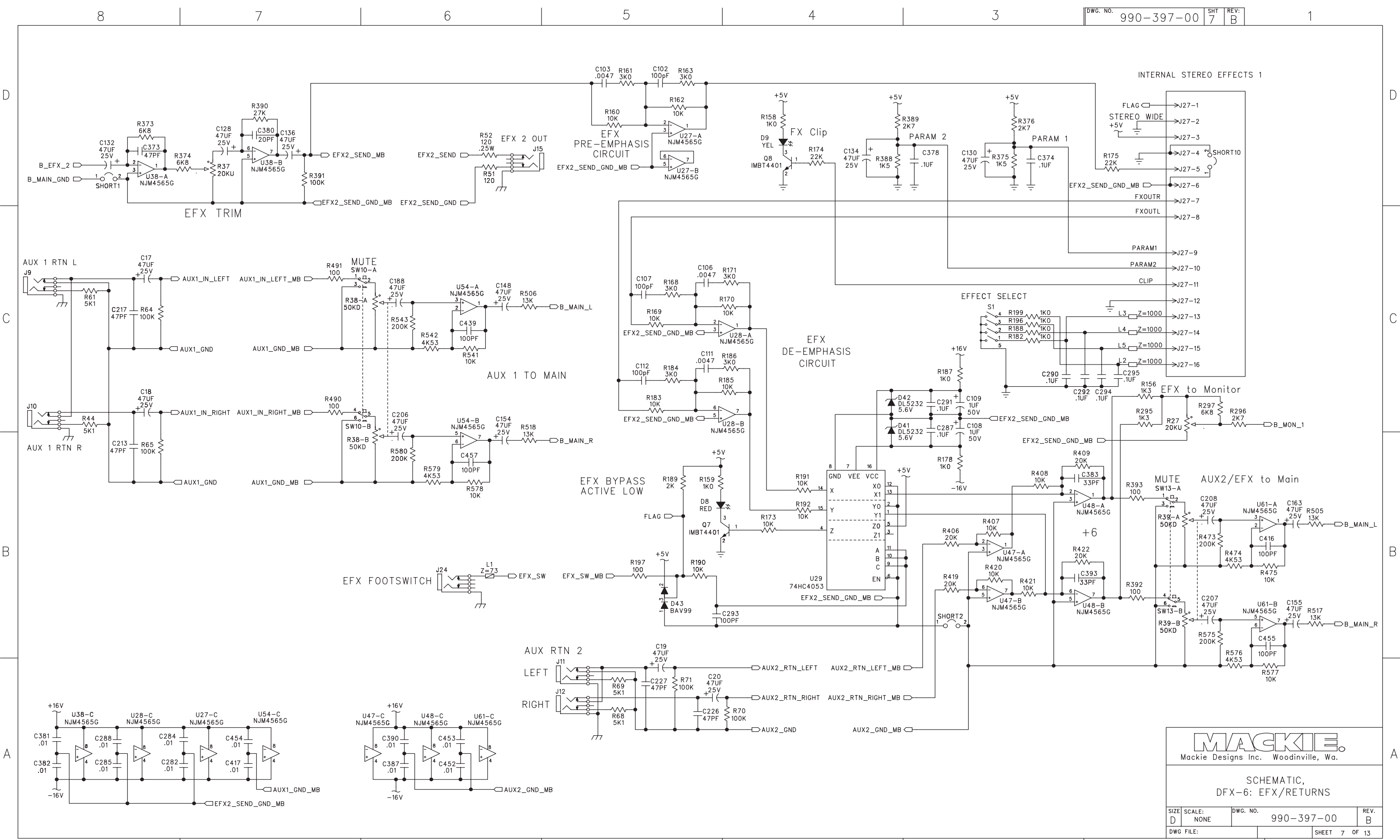
SIZE D	SCALE: NONE	DWG. NO. 990-397-00	REV. B
DWG FILE:		SHEET 5 OF 13	



MACKIE
Mackie Designs Inc. Woodinville, Wa.

SCHMATIC,
DFX-6: GRAPHIC EQ

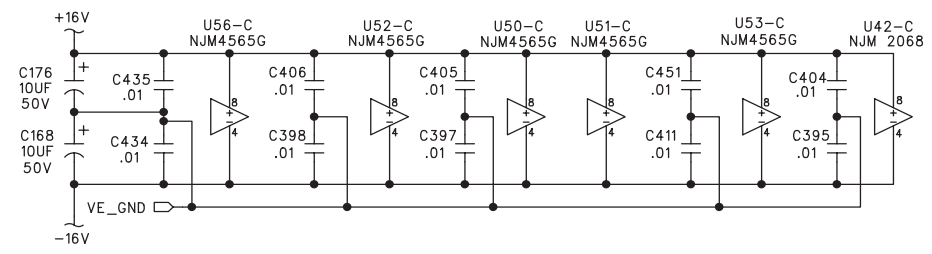
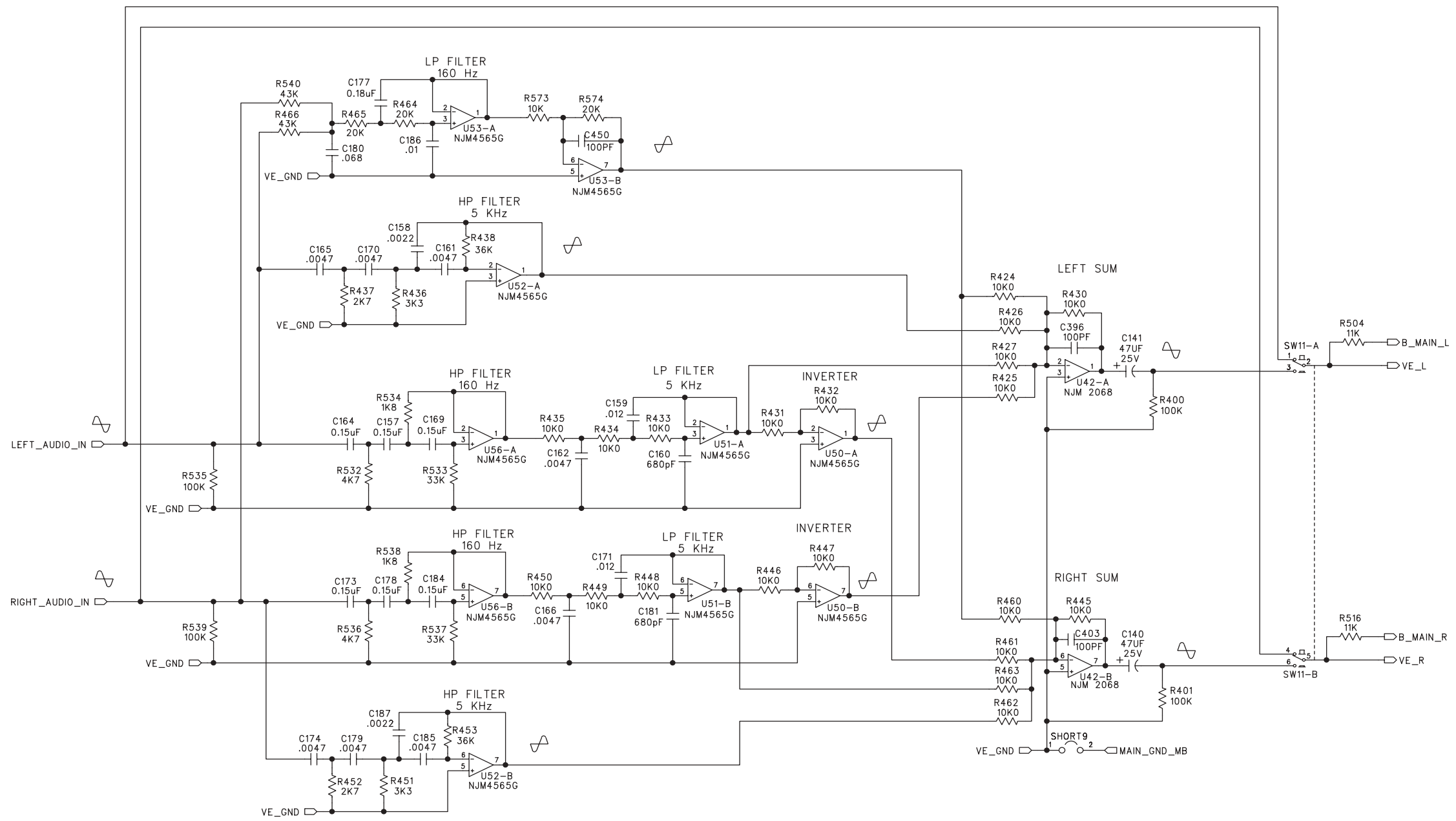
SIZE: D	SCALE: NONE	DWG. NO. 990-397-00	REV. B
DWG FILE:		SHEET 6 OF 13	



MACKIE
Mackie Designs Inc. Woodinville, Wa.

SCHMATIC,
DFX-6: EFX/RETURNS

SIZE: D	SCALE: NONE	DWG. NO. 990-397-00	REV. B
DWG FILE:		SHEET 7 OF 13	

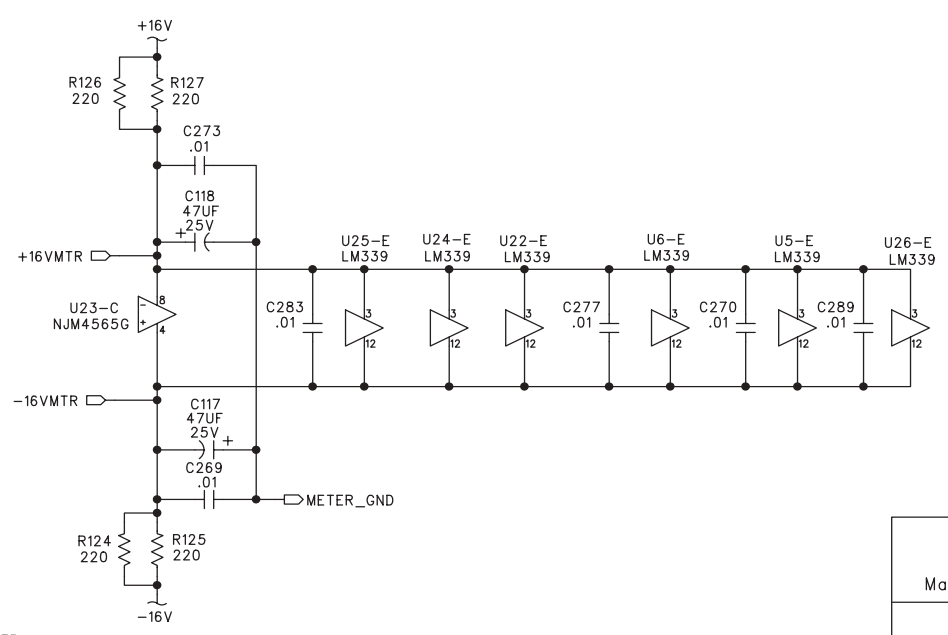
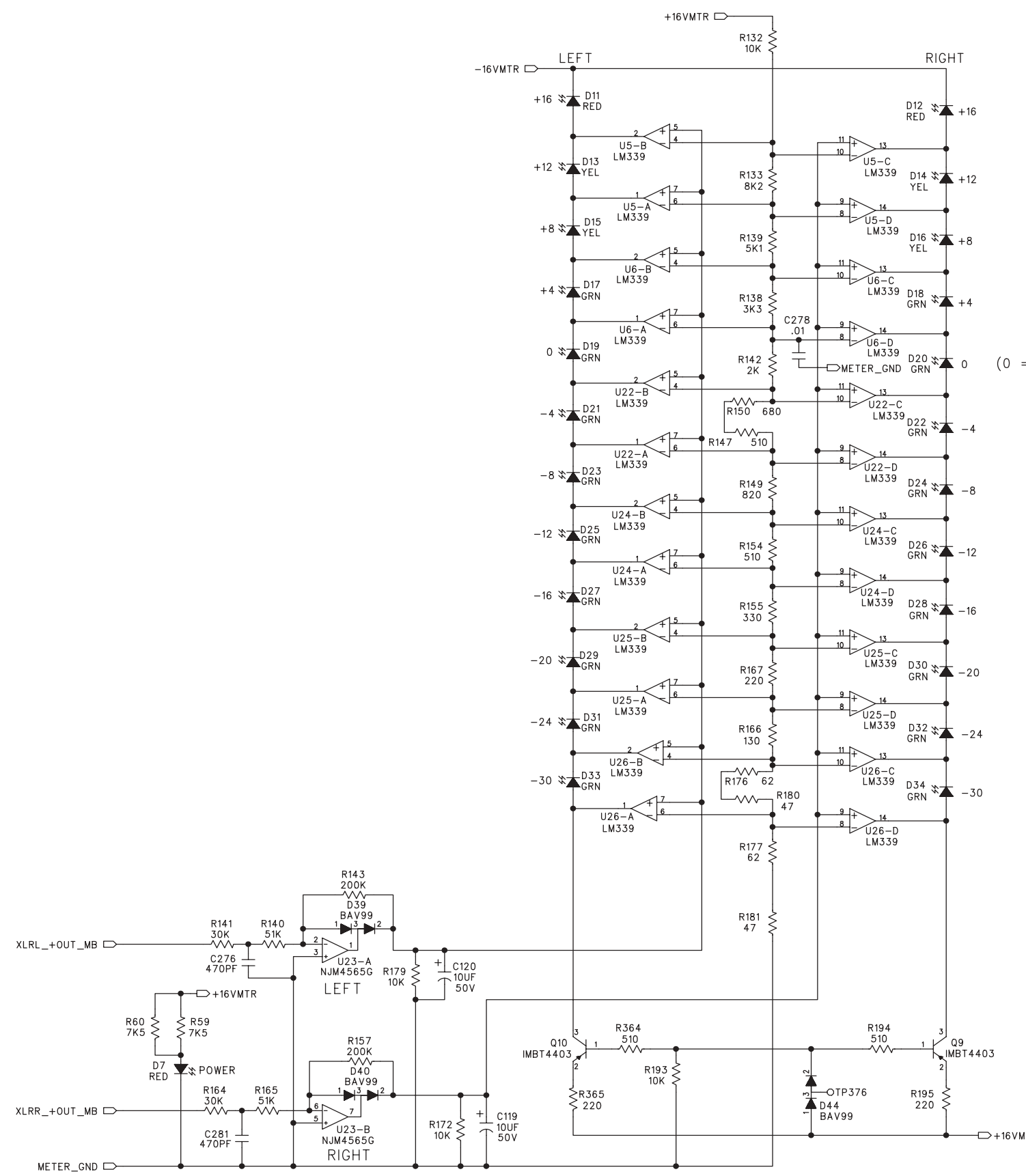


MACKIE
Mackie Designs Inc. Woodinville, Wa.

SCHMATIC,
DFX-6: VOCAL ELIMINATOR

SIZE: D	SCALE: NONE	DWG. NO.: 990-397-00	REV.: B
DWG FILE:		SHEET 8 OF 13	

D
C
B
A



MACKIE
Mackie Designs Inc. Woodinville, Wa.

SCHMATIC,
DFX-6: METER

SIZE: D	SCALE: NONE	DWG. NO.: 990-397-00	REV.: B
DWG FILE:		SHEET 9 OF 13	