

DL806 (-01): DO NOT STUFF CHANNEL B COMPONENTS.

- SO12 0008320-07
STDF SWAGE M3 X 16MM 4.7 DIA
- SO1 SO6 0008320-01
STDF SWAGE M3 X 13.8MM 4.7 DIA
- SO2 SO7
- SO3 SO8
- SO4 SO9
- SO5 SO10 SO11

- DOC1 THOP0002-00
THEORY OF OPERATION PCB DL806/DL1608 ANALOG
- PCB1 2037851-03
PCB FAB DL806/DL1608 ANALOG PREAMP
- SCH1 2037850-XX
SCHEMATIC PCB ASSY DL806/DL1608 ANALOG PREAMP

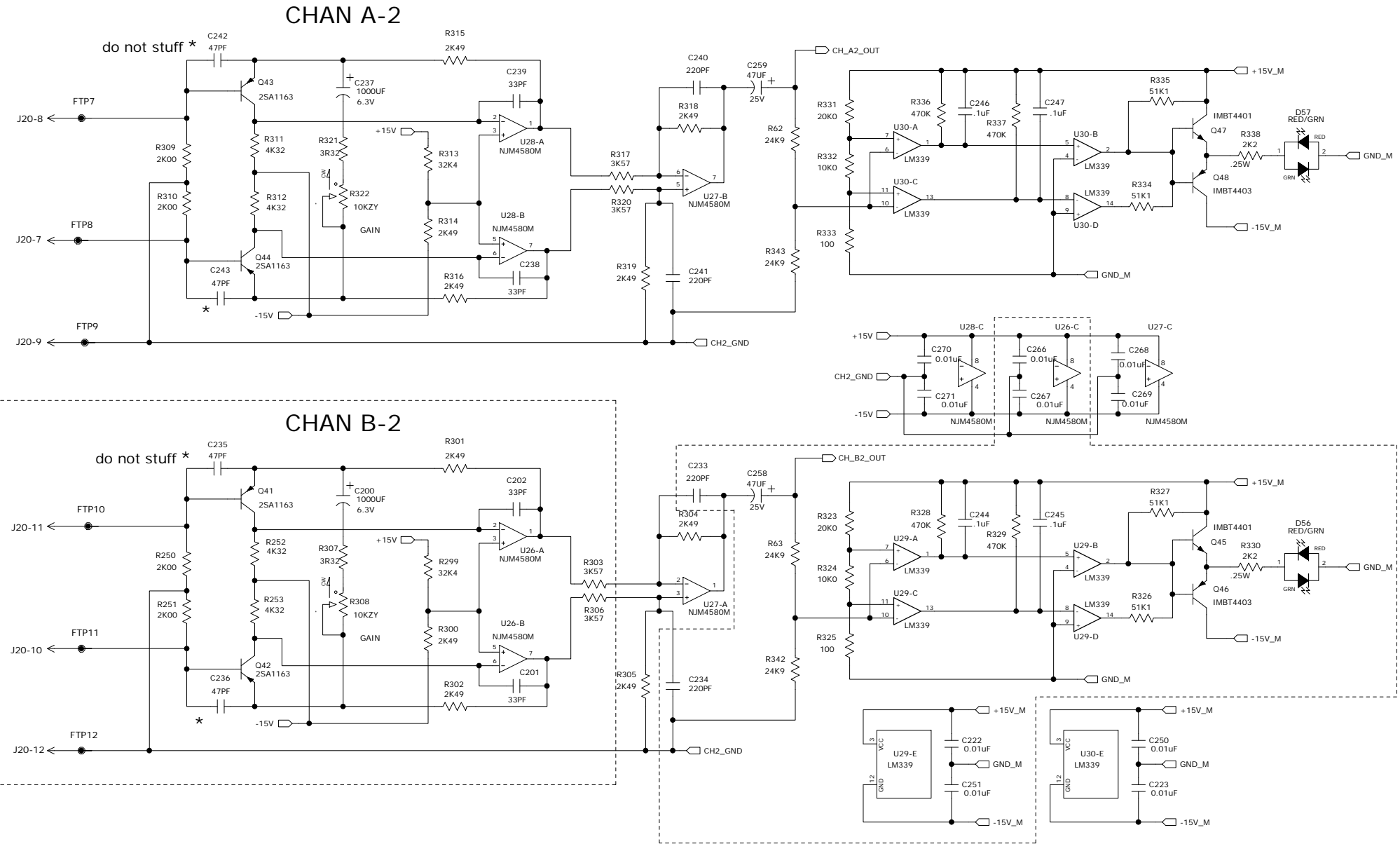
© 2011-2012 LOUD TECHNOLOGIES INC.
ALL RIGHTS RESERVED
THE INFORMATION CONTAINED HEREIN
IS PROPRIETARY AND CONFIDENTIAL
PROPERTY OF LOUD TECHNOLOGIES INC.

APPROVALS	DATE
DRAWN: DB	6/13/2011
CHECKED:	
NP ENG:	
MATERIAL:	
MFG:	
MFG ENG:	
ISSUED:	


LOUD Technologies Inc.
16220 WOOD-RED RD NE WOODINVILLE, WA 98072

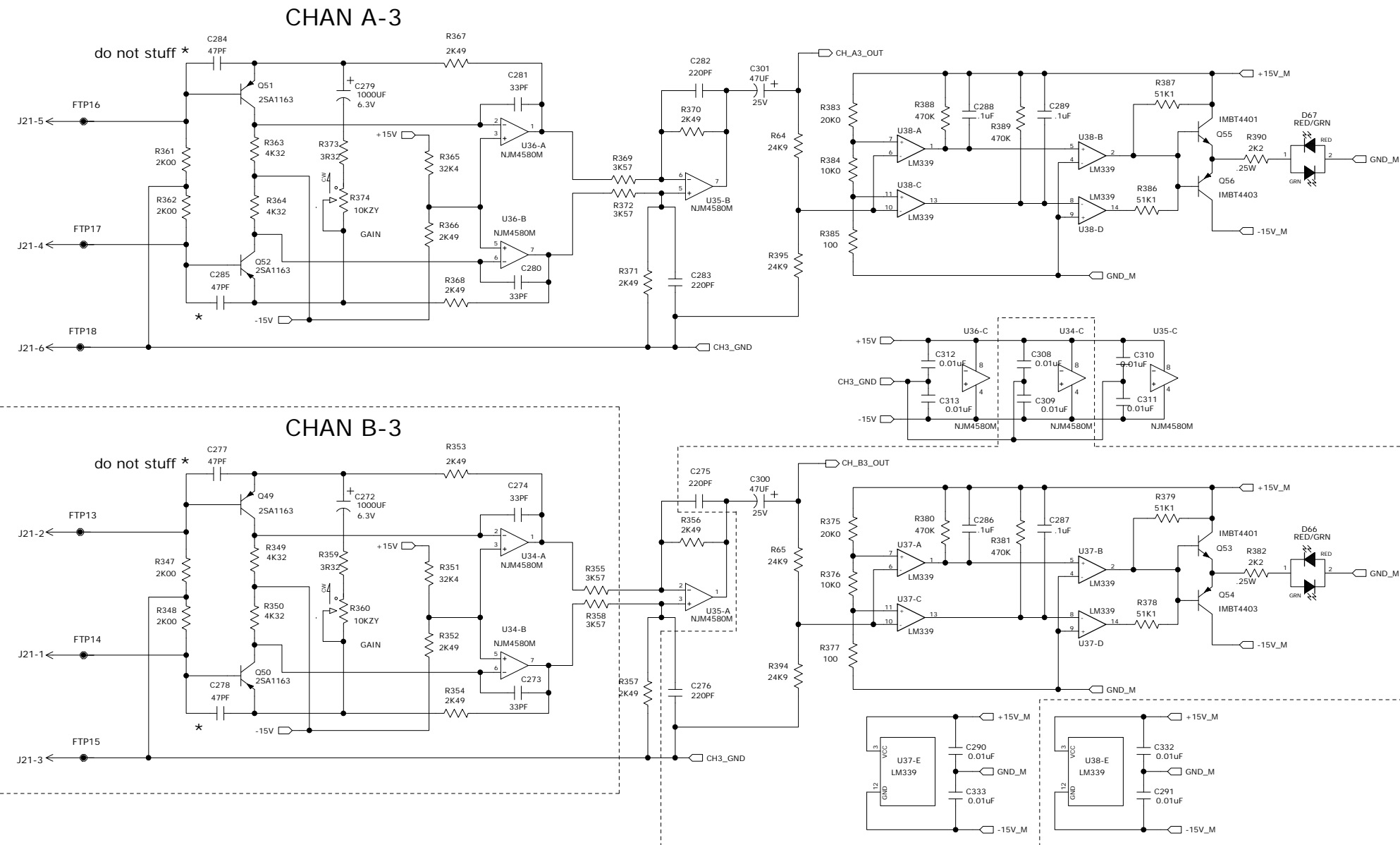
DL806/DL1608 Analog Preamp PCB CH_A1_B1_INTERCONNECT

SIZE: D	SCALE: NONE	DWG. NO.: 2037850-XX	REV. D01
DWG FILE: 2037850-XX-D01.sch		SHEET 1 OF 9	




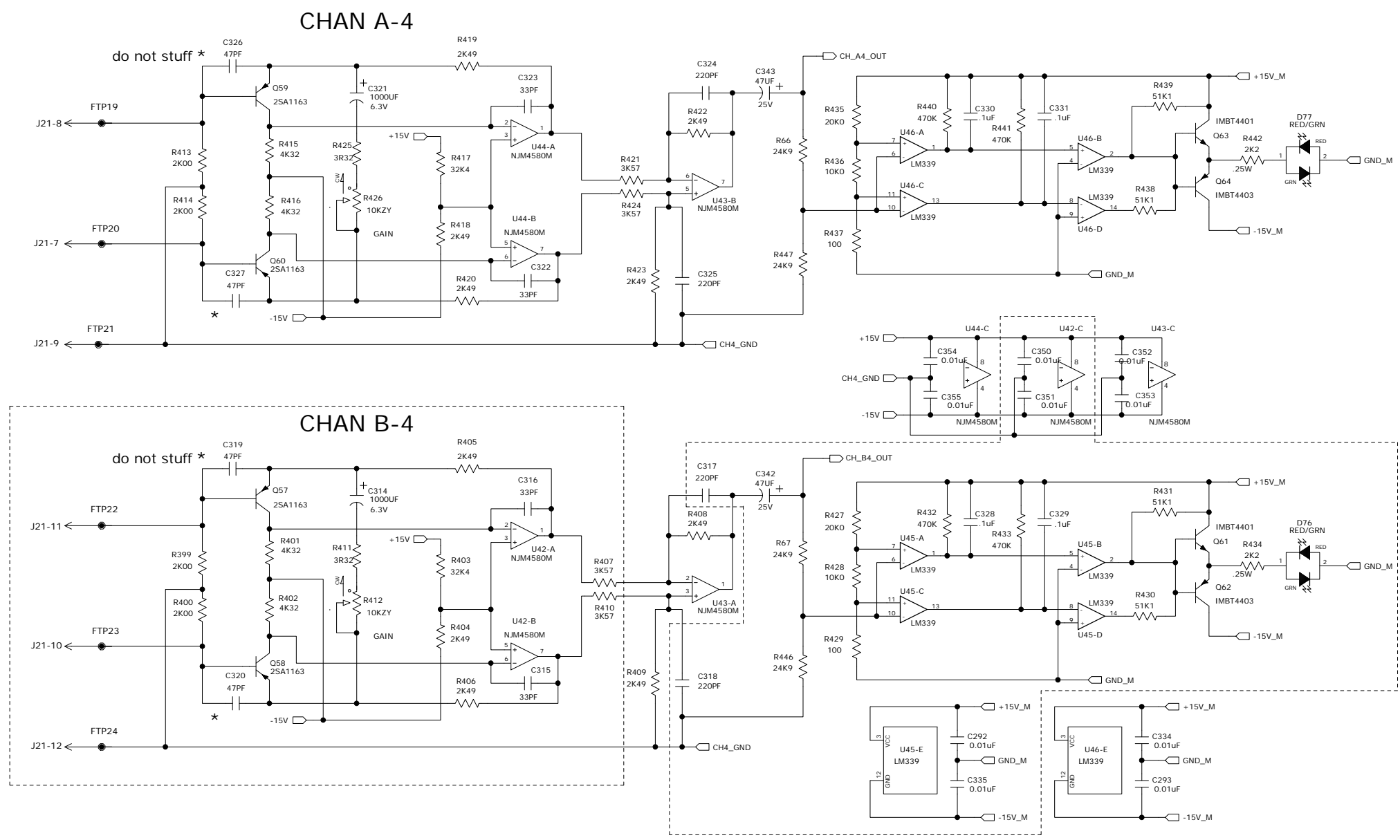
DL806 (-01): DO NOT STUFF CHANNEL B COMPONENTS.

 LOUD Technologies Inc. 16220 WOOD-RED RD NE WOODINVILLE, WA 98072			
DL806/DL1608 Analog Preamp PCB CH_A2_B2			
SIZE	SCALE:	DWG. NO.	REV.
D	NONE	2037850-XX	D01
DWG FILE: 2037850-XX-D01.sch			SHEET 2 OF 9




DL806 (-01): DO NOT STUFF CHANNEL B COMPONENTS.

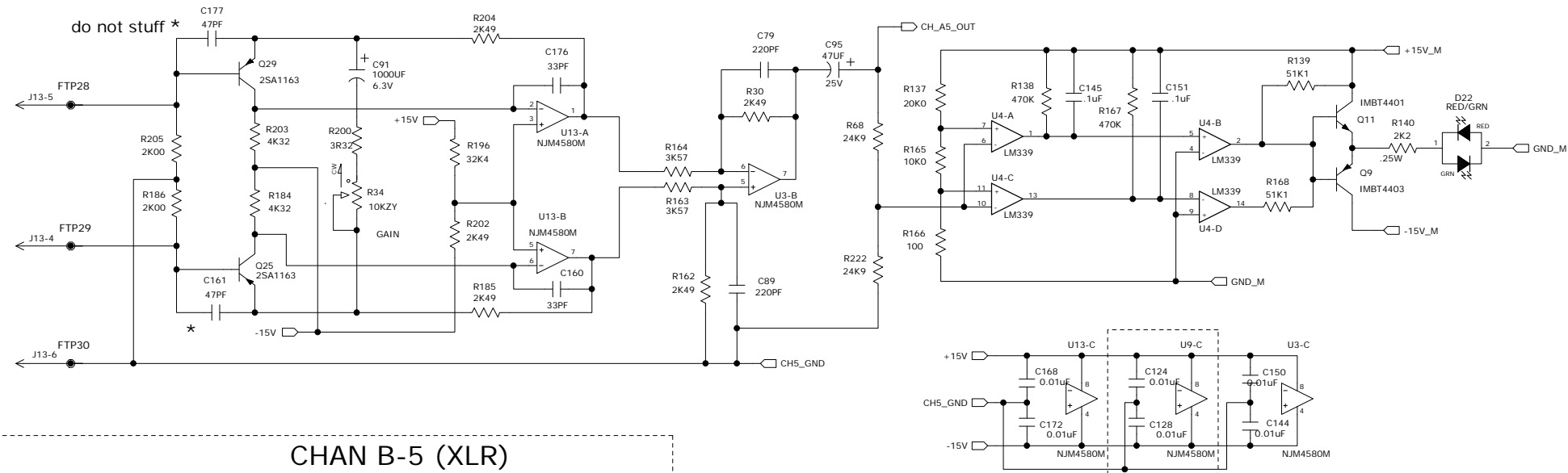
 LOUD Technologies Inc. 16220 WOOD-RED RD NE WOODINVILLE, WA 98072			
DL806/DL1608 Analog Preamp PCB CH_A3_B3			
SIZE	SCALE:	DWG. NO.	REV.
D	NONE	2037850-XX	D01
DWG FILE: 2037850-XX-D01.sch			SHEET 3 OF 9



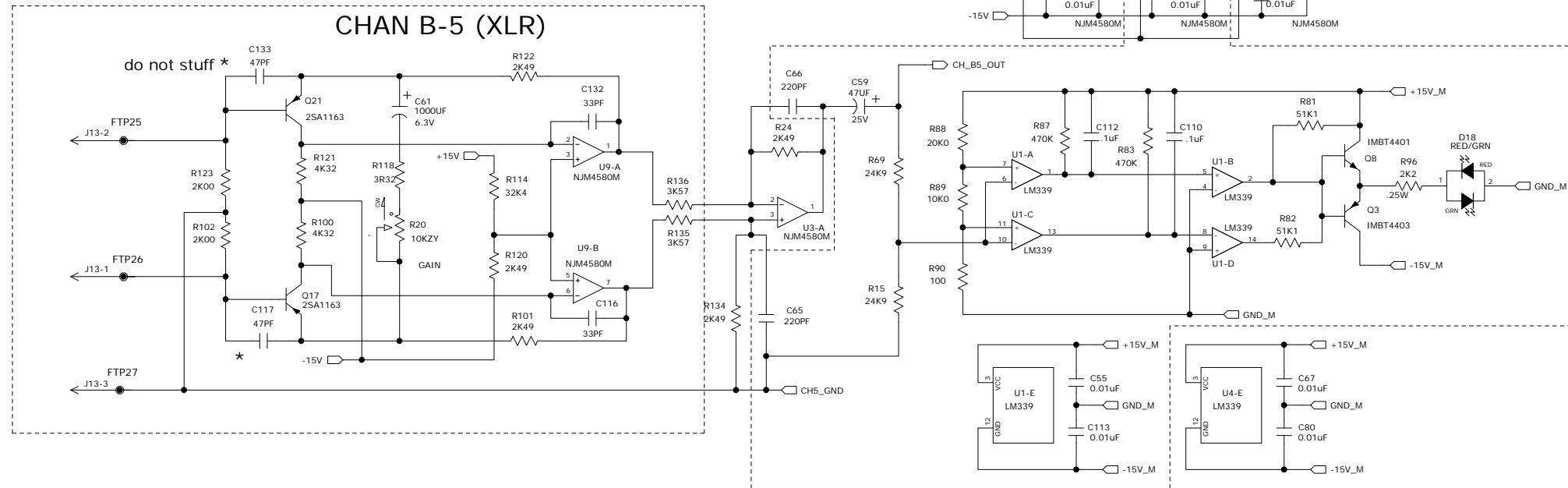
DL806 (-01): DO NOT STUFF CHANNEL B COMPONENTS.

 LOUD Technologies Inc. 16220 WOOD-RED RD NE WOODINVILLE, WA 98072			
DL806/DL1608 Analog Preamp PCB CH_A4_B4			
SIZE	SCALE:	DWG. NO.	REV.
D	NONE	2037850-XX	D01
DWG FILE: 2037850-XX-D01.sch			SHEET 4 OF 9


CHAN A-5 (COMBO)



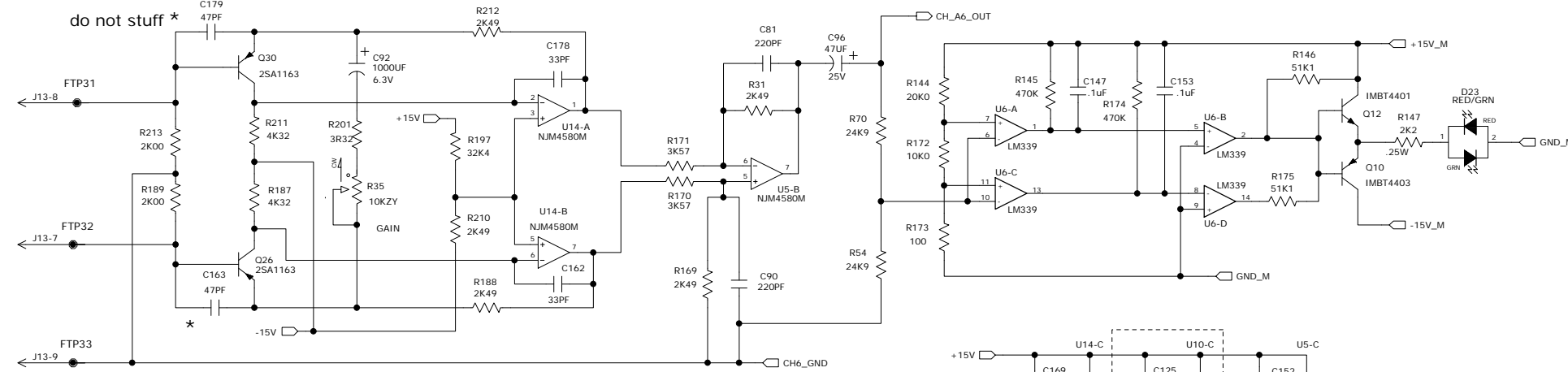
CHAN B-5 (XLR)



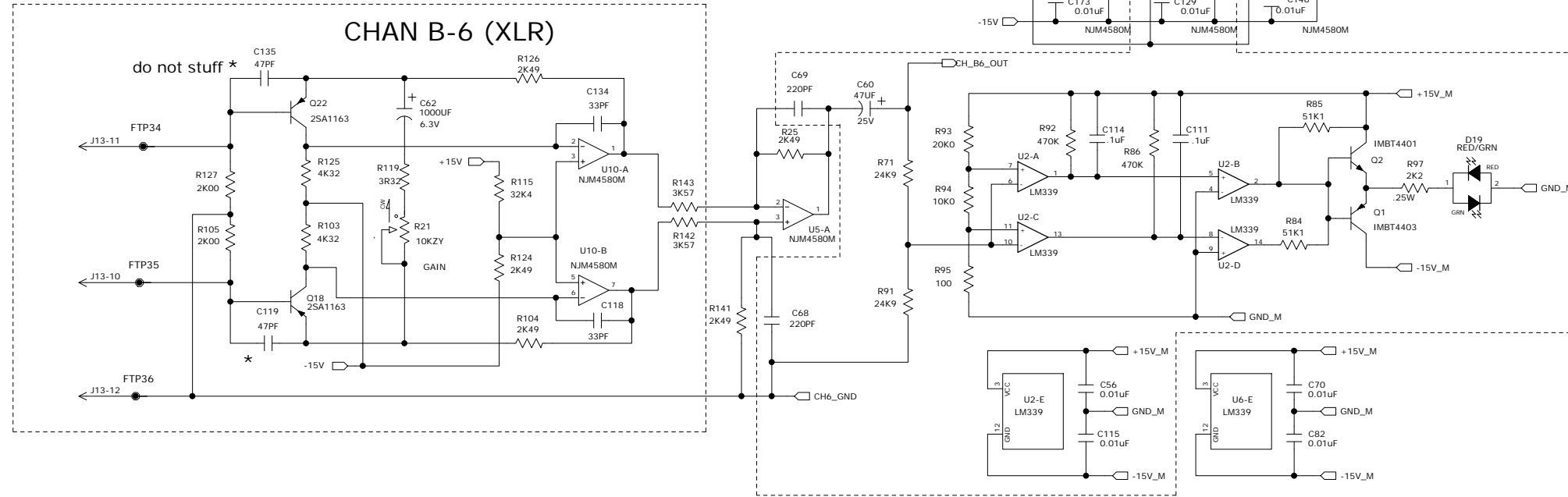
DL806 (-01): DO NOT STUFF CHANNEL B COMPONENTS.

 LOUD Technologies Inc. 16220 WOOD-RED RD NE WOODINVILLE, WA 98072			
DL806/DL1608 Analog Preamp PCB CH_A5_B5			
SIZE	SCALE:	DWG. NO.	REV.
D	NONE	2037850-XX	D01
DWG FILE: 2037850-XX-D01.sch			SHEET 5 OF 9

CHAN A-6 (COMBO)



CHAN B-6 (XLR)



DL806 (-01): DO NOT STUFF CHANNEL B COMPONENTS.

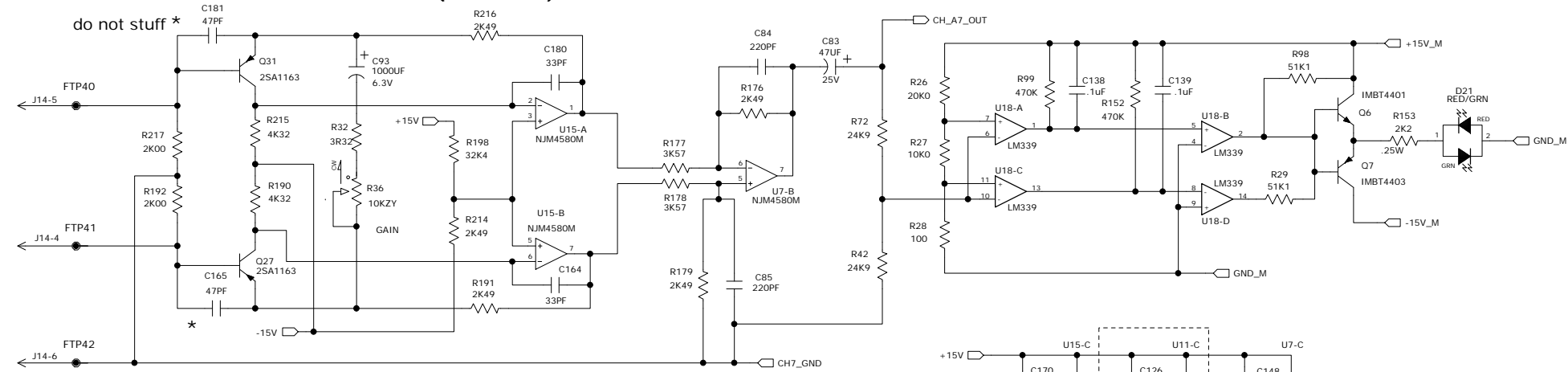
LOUD Technologies Inc.
 16220 WOOD-RED RD NE WOODINVILLE, WA 98072

DL806/DL1608 Analog Preamp PCB
CH_A6_B6

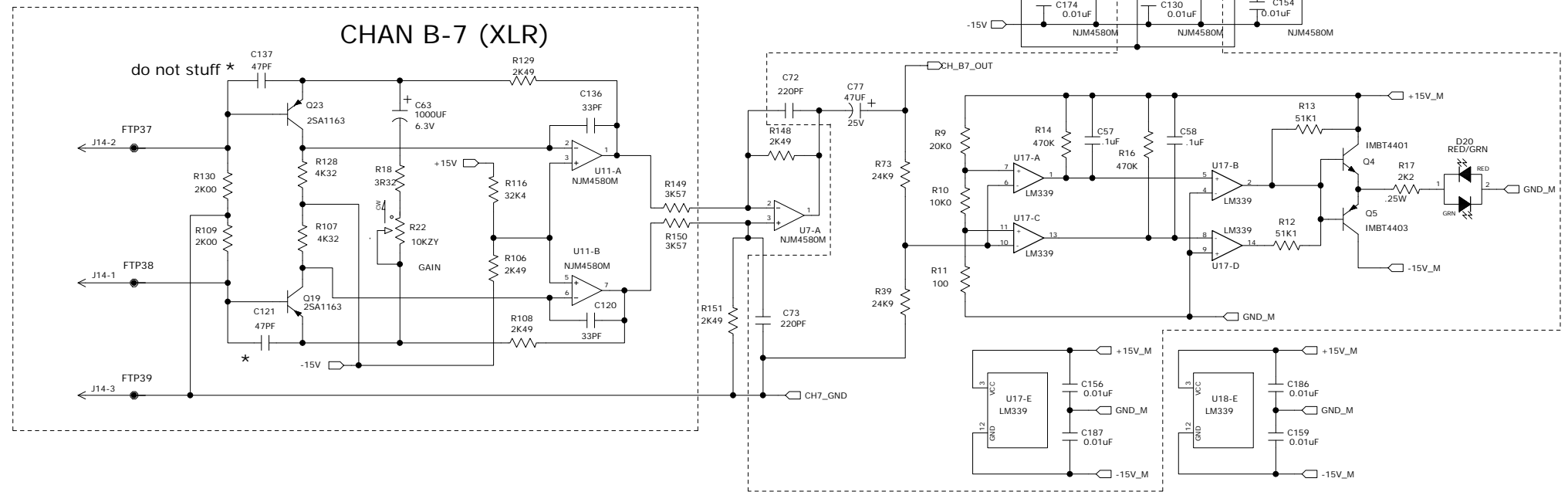
SIZE	SCALE:	DWG. NO.	REV.
D	NONE	2037850-XX	D01

DWG FILE: 2037850-XX-D01.sch SHEET 6 OF 9

CHAN A-7 (COMBO)



CHAN B-7 (XLR)



DL806 (-01): DO NOT STUFF CHANNEL B COMPONENTS.

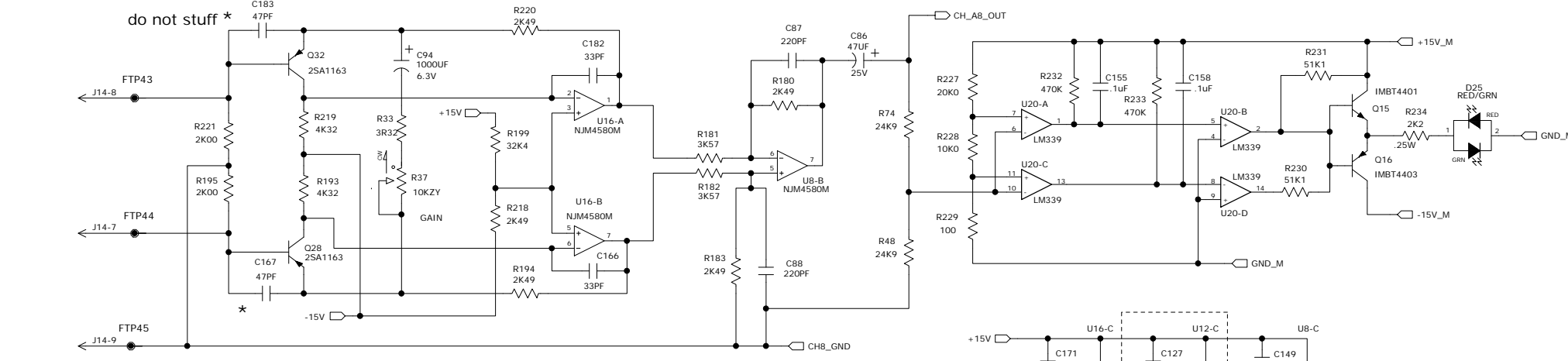
LOUD Technologies Inc.
 16220 WOOD-RED RD NE WOODINVILLE, WA 98072

DL806/DL1608 Analog Preamp PCB
CH_A7_B7

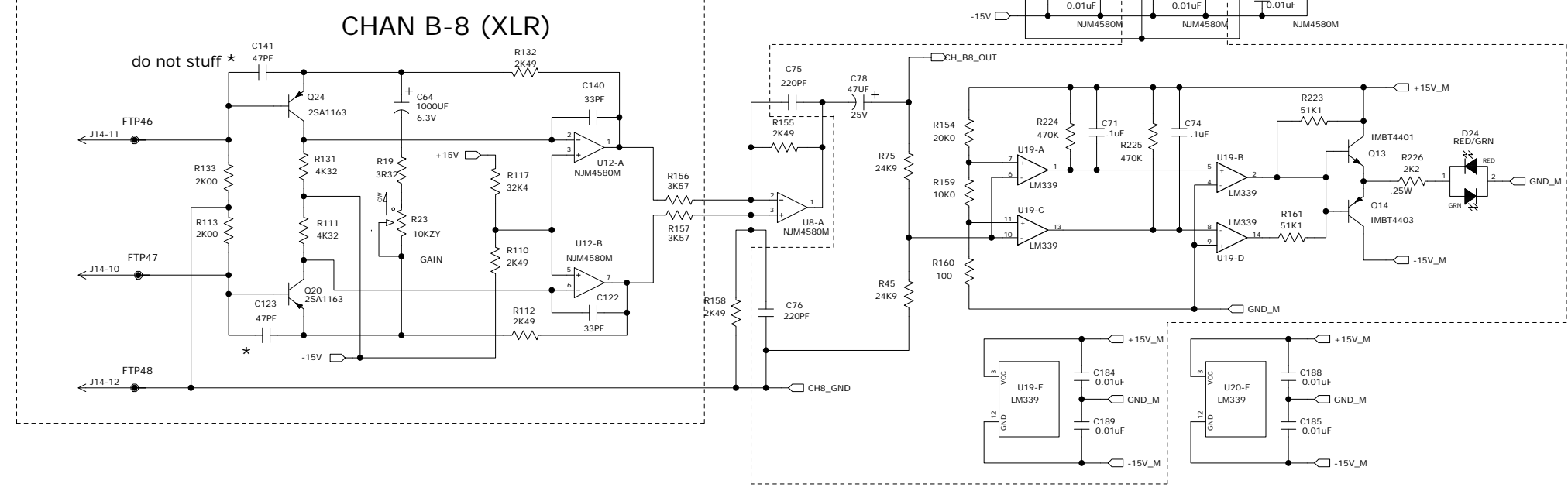
SIZE	SCALE:	DWG. NO.	REV.
D	NONE	2037850-XX	D01

DWG FILE: 2037850-XX-D01.sch SHEET 7 of 9

CHAN A-8 (COMBO)



CHAN B-8 (XLR)

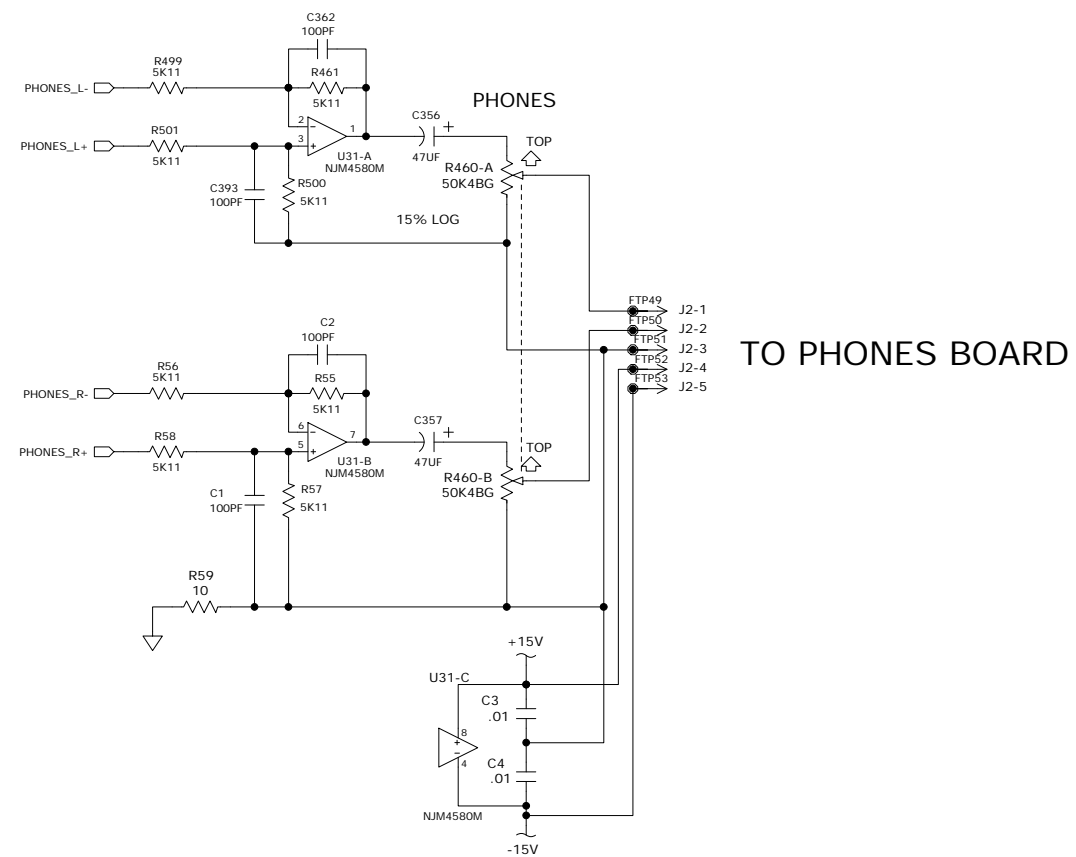


DL806 (-01): DO NOT STUFF CHANNEL B COMPONENTS.



DL806/DL1608 Analog Preamp PCB
CH_A8_B8

SIZE	SCALE	DWG. NO.	REV.
D	NONE	2037850-XX	D01
DWG FILE: 2037850-XX-D01.sch			SHEET 8 of 9



TO PHONES BOARD



DL806/DL1608 Analog Preamp PCB
PHONES

SIZE D	SCALE: NONE	DWG. NO. 2037850-XX	REV. D01
DWG FILE: 2037850-XX-D01.sch			SHEET 9 OF 9