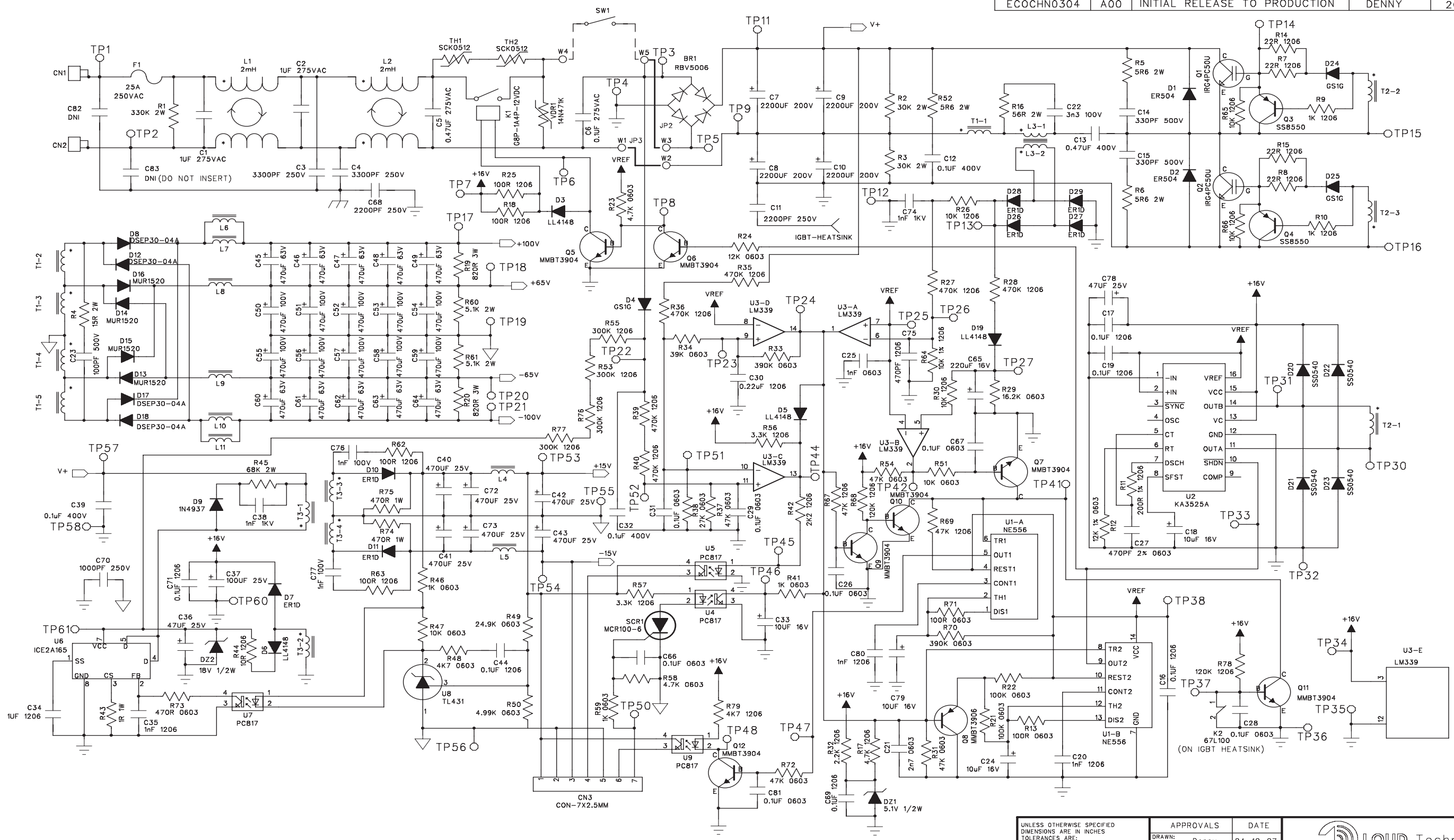
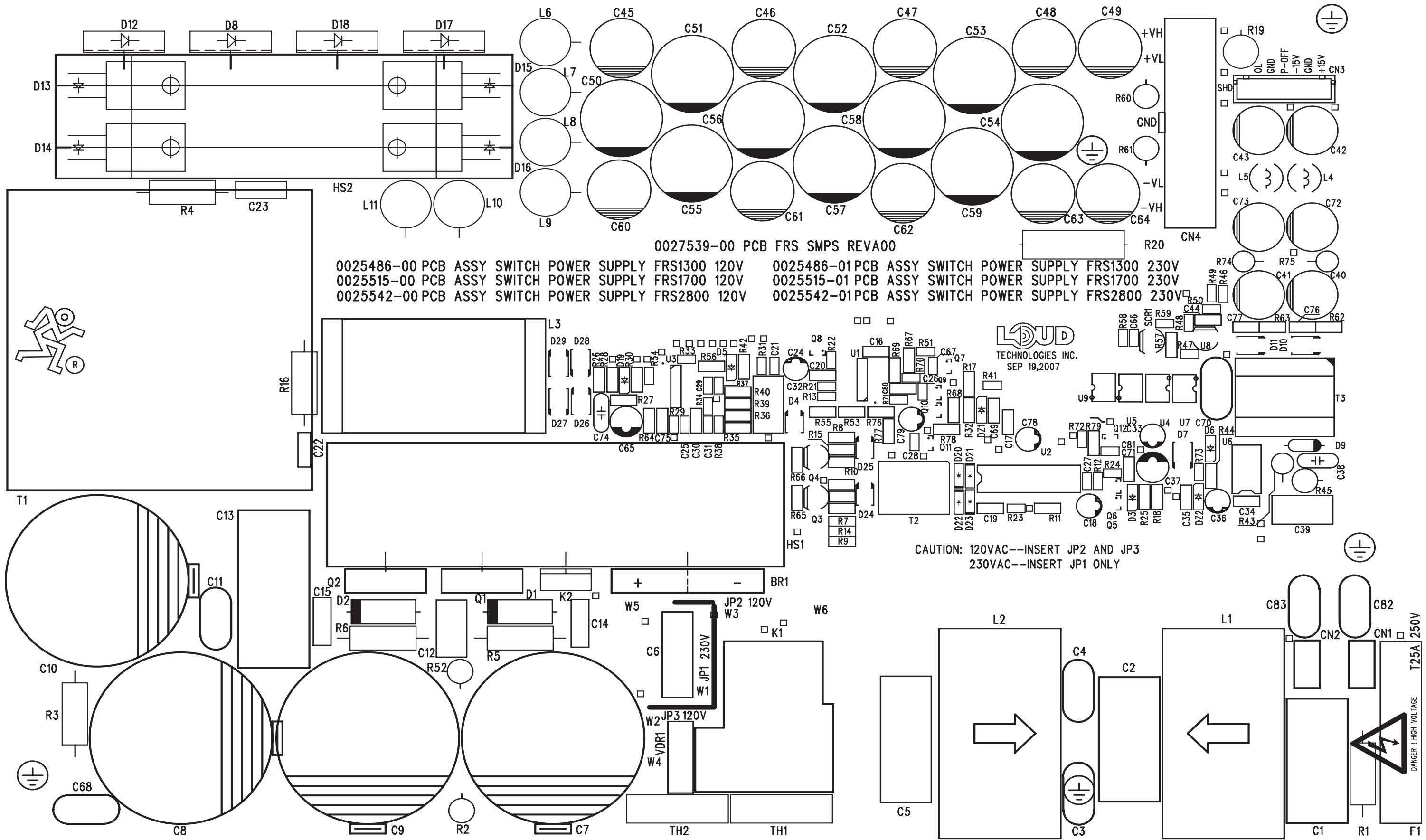


ECO/DSR	REV:	DESCRIPTION	REV. BY:	DATE
ECOHN0304	A00	INITIAL RELEASE TO PRODUCTION	DENNY	2007-12-24



©2006 LOUD TECHNOLOGIES INC.  
 ALL RIGHTS RESERVED  
 THE INFORMATION CONTAINED HEREIN  
 IS PROPRIETARY AND CONFIDENTIAL  
 PROPERTY OF LOUD TECHNOLOGIES INC.

UNLESS OTHERWISE SPECIFIED DIMENSIONS ARE IN INCHES TOLERANCES ARE: FRACTIONS: DECIMALS: ANGLES: ± NA .xx ± NA ± NA .xxx ± NA	APPROVALS	DATE	 16220 WOOD-RED RD NE WOODVILLE, WA 98072
	DRAWN: Denny	24-12-07	
MATERIAL:	CHECKED:		FRS2800 POWER SUPPLY 120V
FINISH:	NP ENGINEERING:		SIZE D SCALE: 1:1 DWG. NO. 0025542-00 REV. A00
DO NOT SCALE DRAWING	ISSUED:		DWG FILE: SHEET 1 OF 1



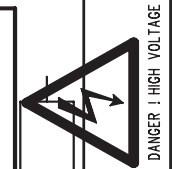
0027539-00 PCB FRS SMPS REVA00

0025486-00 PCB ASSY SWITCH POWER SUPPLY FRS1300 120V  
 0025515-00 PCB ASSY SWITCH POWER SUPPLY FRS1700 120V  
 0025542-00 PCB ASSY SWITCH POWER SUPPLY FRS2800 120V

0025486-01 PCB ASSY SWITCH POWER SUPPLY FRS1300 230V  
 0025515-01 PCB ASSY SWITCH POWER SUPPLY FRS1700 230V  
 0025542-01 PCB ASSY SWITCH POWER SUPPLY FRS2800 230V

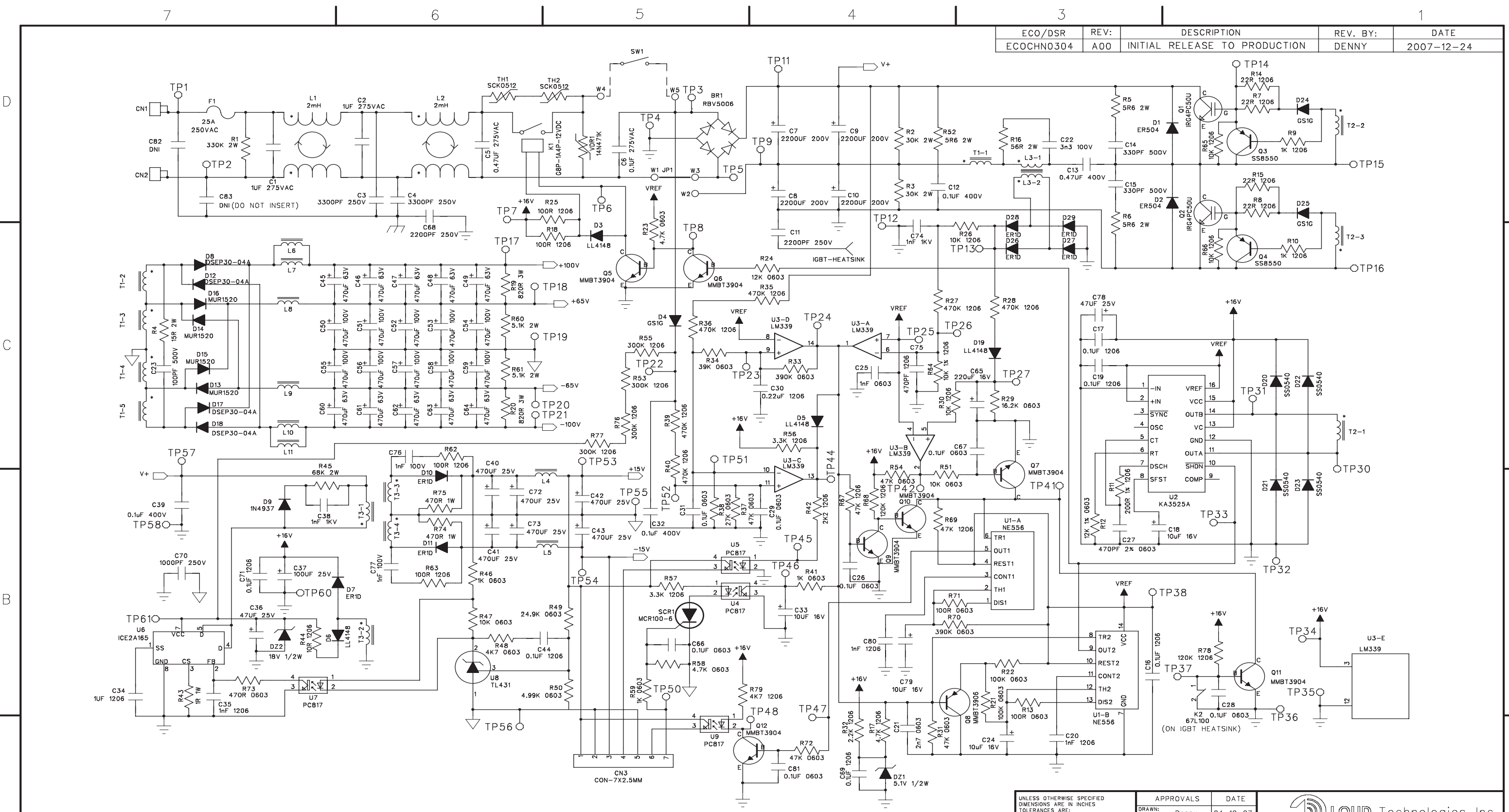
**LOUD**  
 TECHNOLOGIES INC.  
 SEP 19,2007

CAUTION: 120VAC--INSERT JP2 AND JP3  
 230VAC--INSERT JP1 ONLY



DANGER ! HIGH VOLTAGE  
 T25A 250V

ECO/DSR ECOCHN0304	REV: A00	DESCRIPTION INITIAL RELEASE TO PRODUCTION	REV. BY: DENNY	DATE 2007-12-24
-----------------------	-------------	--	-------------------	--------------------



©2006 LOUD TECHNOLOGIES INC.  
 ALL RIGHTS RESERVED  
 THE INFORMATION CONTAINED HEREIN  
 IS PROPRIETARY AND CONFIDENTIAL  
 PROPERTY OF LOUD TECHNOLOGIES INC.

UNLESS OTHERWISE SPECIFIED DIMENSIONS ARE IN INCHES TOLERANCES ARE: FRACTIONS: DECIMALS: ANGLES: ± NA .XX ± NA ± NA .XX ± NA	APPROVALS	DATE
DRAWN: Denny		24-12-07
CHECKED:		
NP ENGINEERING:		
MATERIAL:		
MANUFACTURING:		
MFG ENGINEERING:		
ISSUED:		
DO NOT SCALE DRAWING		

 16220 WOOD-RED RD NE WOODVILLE, WA 98072		FRS2800 POWER SUPPLY 230V	
		SIZE: D	SCALE: 1:1
DWG FILE:		SHEET 1 OF 1	