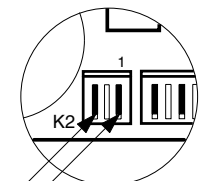


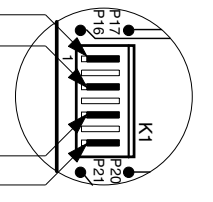
Amplifier FS 3000 - US

SEE DETAIL 2
DETAIL 2
 (output to speakers)



OUTPUT MID LOW (-)
 OUTPUT MID LOW (+)

SEE DETAIL 1
DETAIL 1
 (output to speakers)

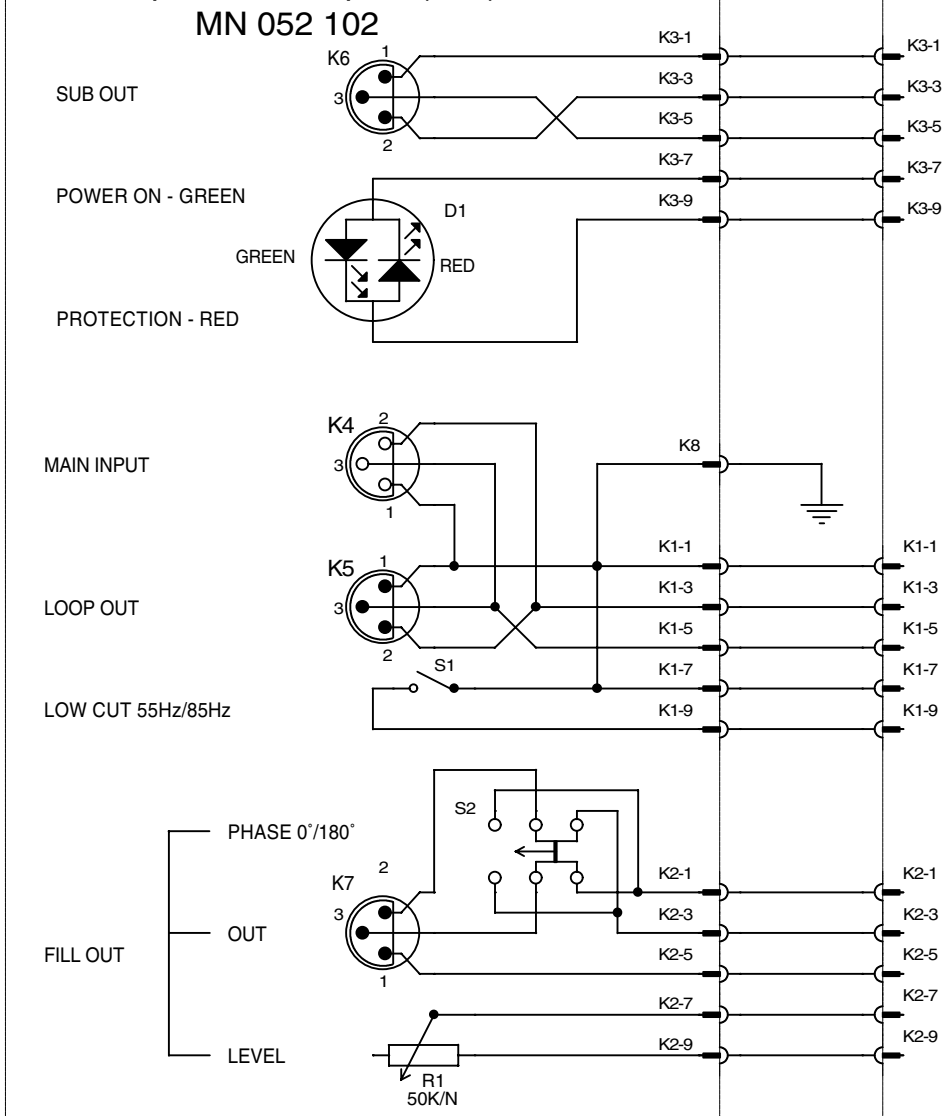


OUTPUT HI (-)
 OUTPUT HI (+)
 OUTPUT MID (+)
 OUTPUT MID (-)

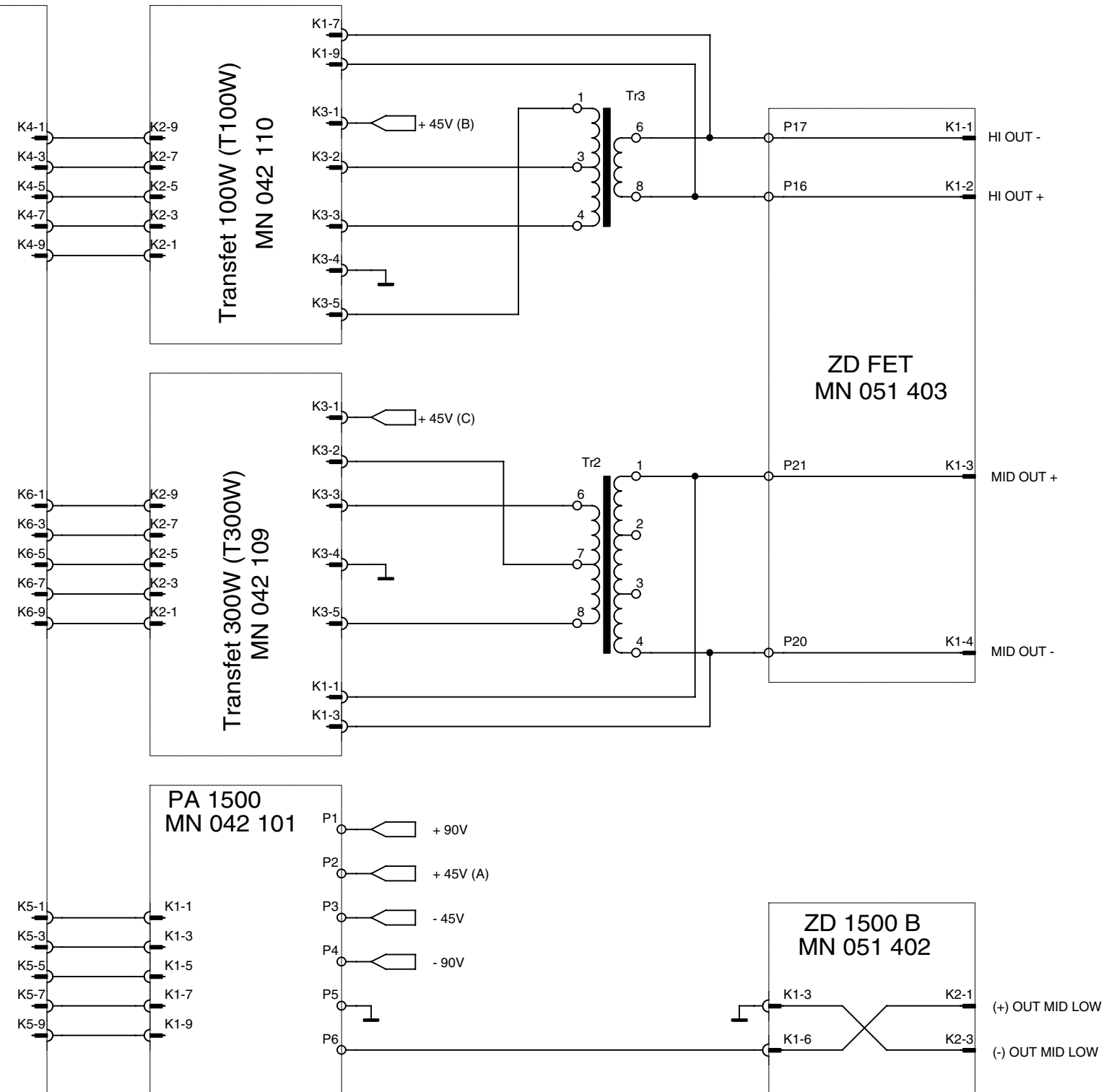
- SUM Start Up Module
- BIO Board Inputs and Outputs
- PA1500 . . . Power amplifier
- ZD1500B . . Board of sources
- T100W . . . Transfet 100W
- T300W . . . Transfet 300W
- CB4W Control Board 4W
- ZDFET Source for Transfets

abbr.	color
w	WHITE
y	YELLOW
r	RED
g	GREEN
bu	BLUE
gr	GREY
br	BROWN
b	BLACK
gy	GREENYELLOW

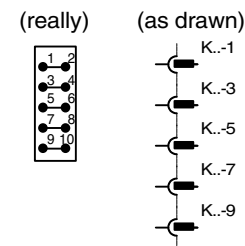
Board Inputs and Outputs (BIO)



Control board 4W (CB4W) MN 044 501



PFL10 connectors



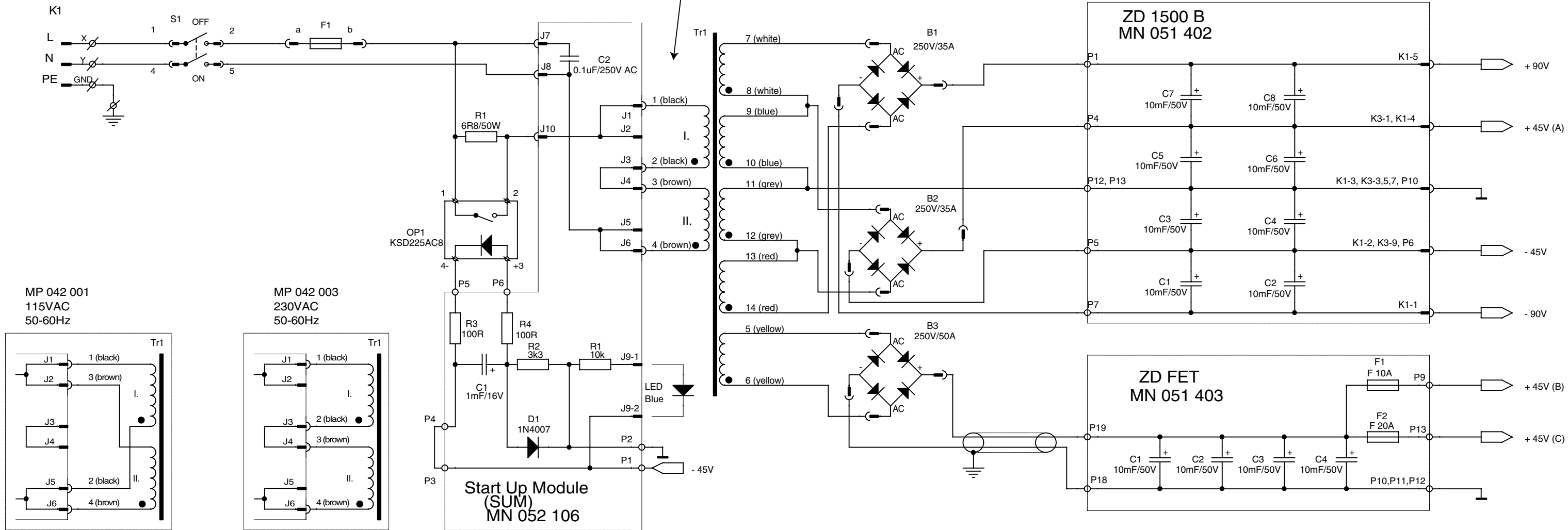
PFL10 connectors are used in the following locations:

- MN 042 101 K1
- MN 042 102 K1, K2
- MN 042 103 K1, K2
- MN 044 501 K1, K2, K3
- K4, K5, K6, K7
- MN 051 402 K3

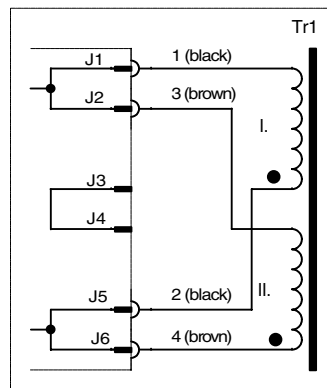
FUSE VALUE CHART

DWG. NO.	MAINS	F1
MP 042 001	115V	16A T
MP 042 003	230V	10A T

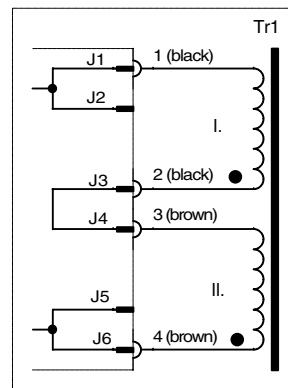
(Wiring shown for 230VAC model)

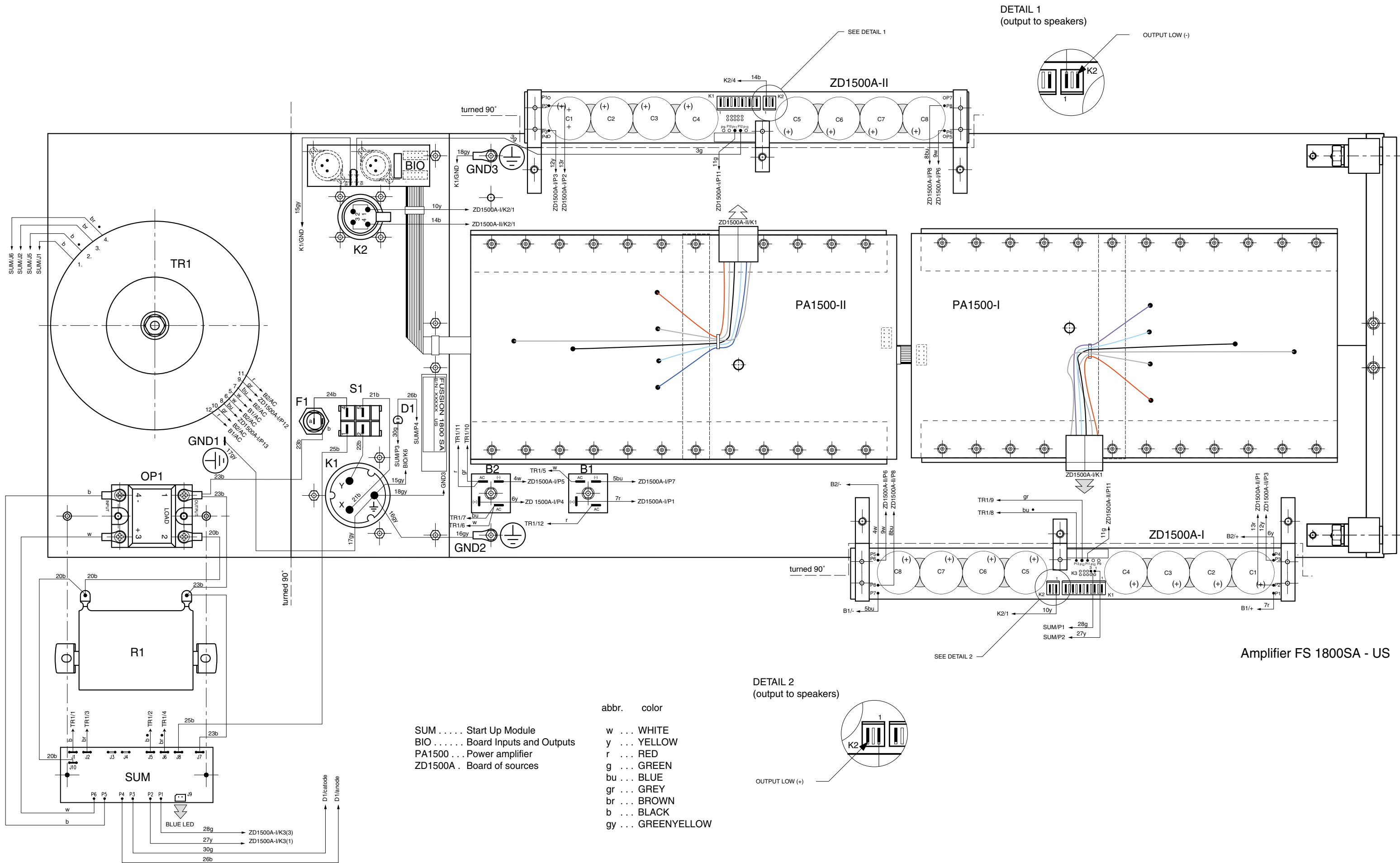


MP 042 001
115VAC
50-60Hz



MP 042 003
230VAC
50-60Hz



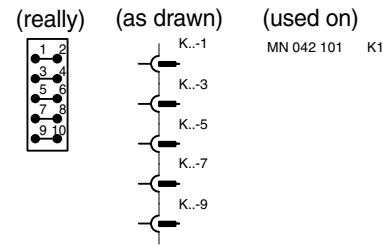


Amplifier FS 1800SA - US

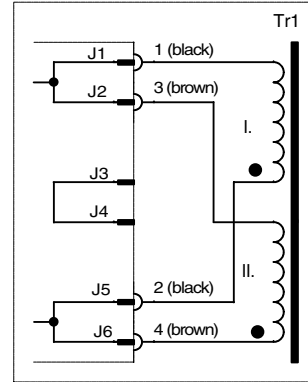
SUM Start Up Module
 BIO Board Inputs and Outputs
 PA1500 . . . Power amplifier
 ZD1500A . . Board of sources

abbr.	color
w	WHITE
y	YELLOW
r	RED
g	GREEN
bu	BLUE
gr	GREY
br	BROWN
b	BLACK
gy	GREENYELLOW

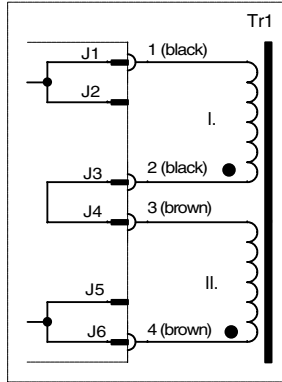
PFL10 Connectors:



MP 042 002
115VAC
50-60Hz



MP 042 004
230VAC
50-60Hz



FUSE VALUE CHART

DWG. NO.	MAINS	F1
MP 042 002	115V	16A T
MP 042 004	230V	10A T

