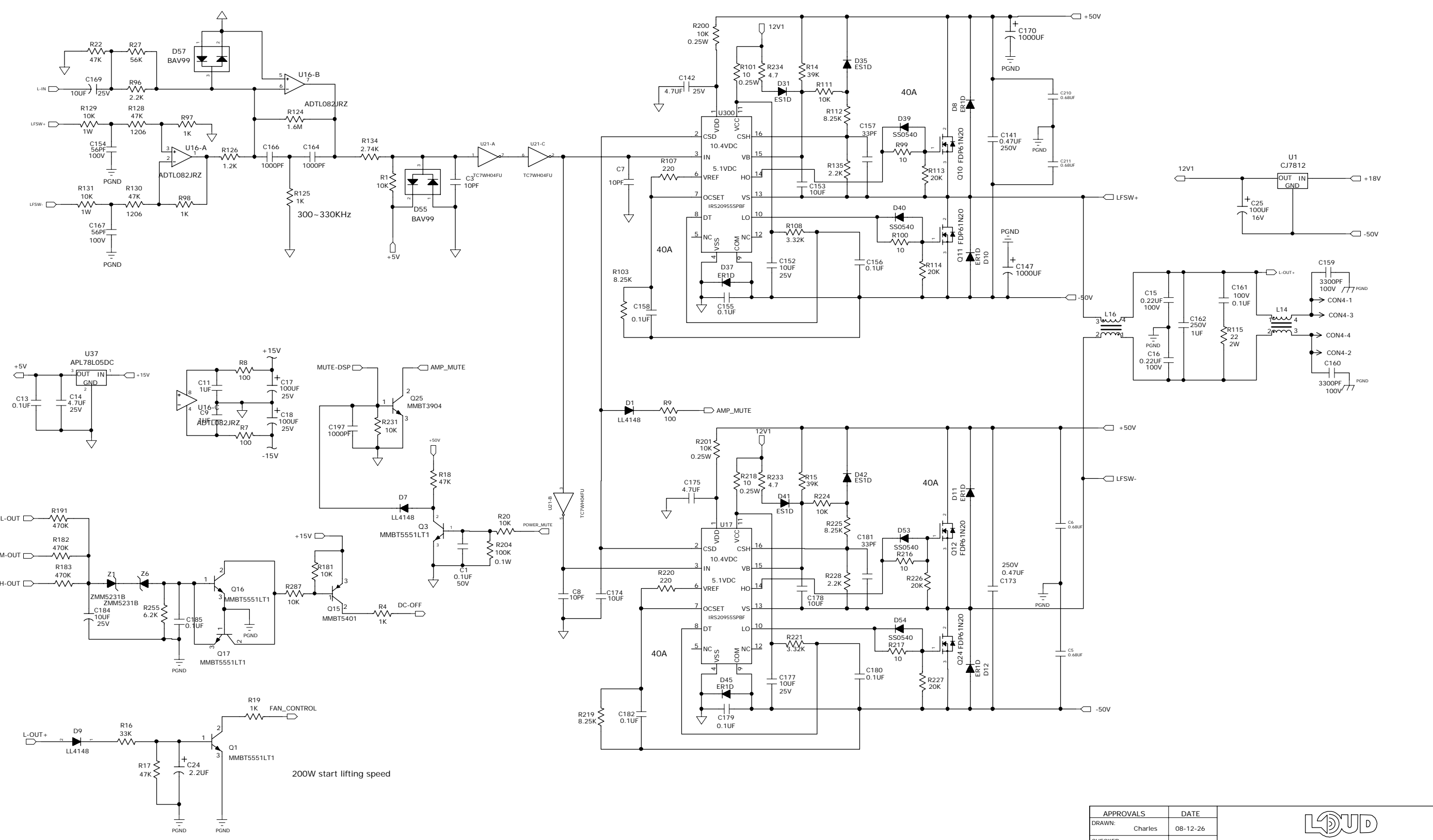


ECO/DSR	REV:	DESCRIPTION	REV. BY:	DATE
---------	------	-------------	----------	------


D
C
B
A

D
C
B
A



- PCB1 0029092-00
PCB FAB FR4 DOUBLE 2 OZ 1.6MM AMP BOARD SR V2
PCBNULL
- SCH1 SCHEMATIC, AMP HD1531
0029091-XX
- HS1 HEAT SINK
0032726
- HS2 HEAT SINK
0032726

© 2006 LOUD TECHNOLOGIES INC.
ALL RIGHTS RESERVED
THE INFORMATION CONTAINED HEREIN
IS PROPRIETARY AND CONFIDENTIAL
PROPERTY OF LOUD TECHNOLOGIES INC.

APPROVALS	DATE	 TECHNOLOGIES INC. WHITINSVILLE MA. USA			
DRAWN: Charles	08-12-26				
CHECKED:		HD1531 AMP			
NP ENG:					
MATERIAL:					
MFG:					
MFG ENG:		SIZE: D	SCALE: NONE	DWG. NO. 0029091-00	REV. C02
ISSUED:		DWG FILE:		SHEET 1 OF 3	

D

D

C

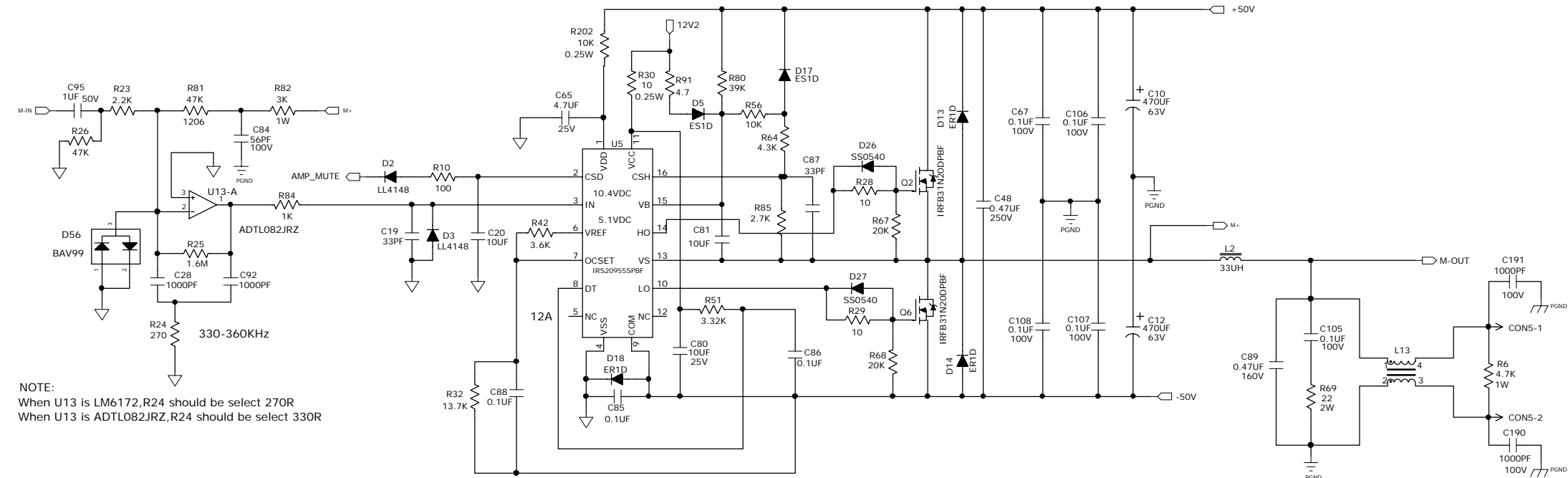
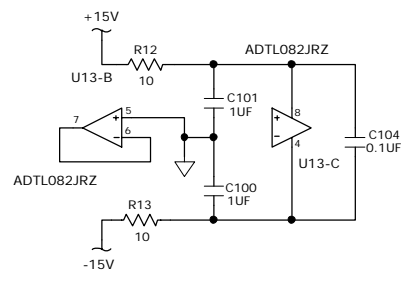
C

B

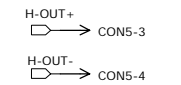
B

A

A



NOTE:
 When U13 is LM6172, R24 should be select 270R
 When U13 is ADTL082JRZ, R24 should be select 330R



© 2006 LOUD TECHNOLOGIES INC.
 ALL RIGHTS RESERVED
 THE INFORMATION CONTAINED HEREIN
 IS PROPRIETARY AND CONFIDENTIAL
 PROPERTY OF LOUD TECHNOLOGIES INC.

APPROVALS	DATE	 TECHNOLOGIES INC. WHITINSVILLE MA. USA			
DRAWN: Charles	08-12-26				
CHECKED:		HD1531 AMP			
NP ENG:					
MATERIAL:					
MFG:					
MFG ENG:		SIZE: D	SCALE: NONE	DWG. NO. 0029091-00	REV. C02
ISSUED:		DWG FILE:		SHEET 2 OF 3	

ECO/DSR	REV:	DESCRIPTION	REV. BY:	DATE
---------	------	-------------	----------	------

D

D

C

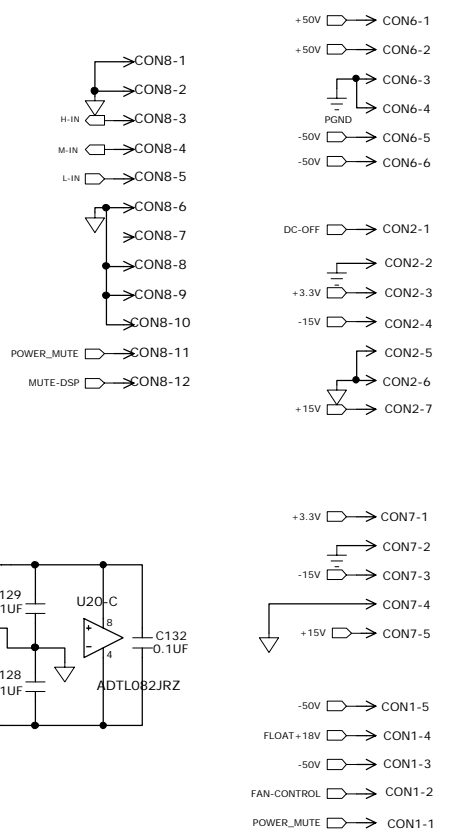
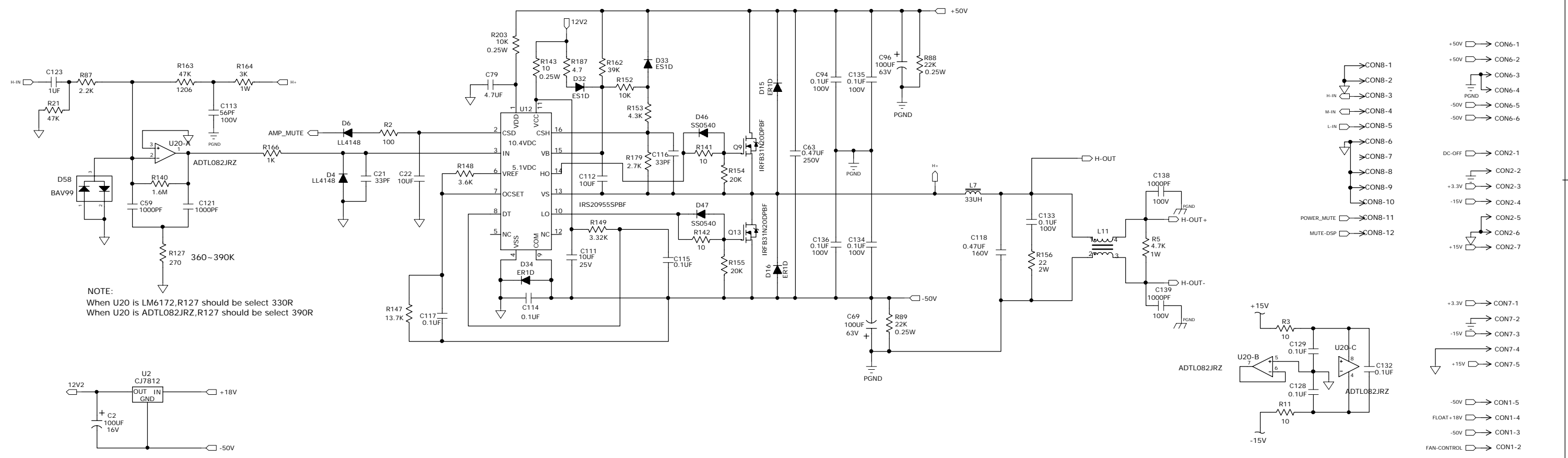
C

B

B

A

A



© 2006 LOUD TECHNOLOGIES INC.
ALL RIGHTS RESERVED
THE INFORMATION CONTAINED HEREIN
IS PROPRIETARY AND CONFIDENTIAL
PROPERTY OF LOUD TECHNOLOGIES INC.

APPROVALS	DATE	 TECHNOLOGIES INC. WHITINSVILLE MA. USA HD1531 AMP	SIZE	SCALE:	DWG. NO.	REV.
DRAWN:	Charles		D	NONE	0029091-00	C02
CHECKED:			DWG FILE:		SHEET	3 OF 3
NP ENG:						
MATERIAL:						
MFG:						