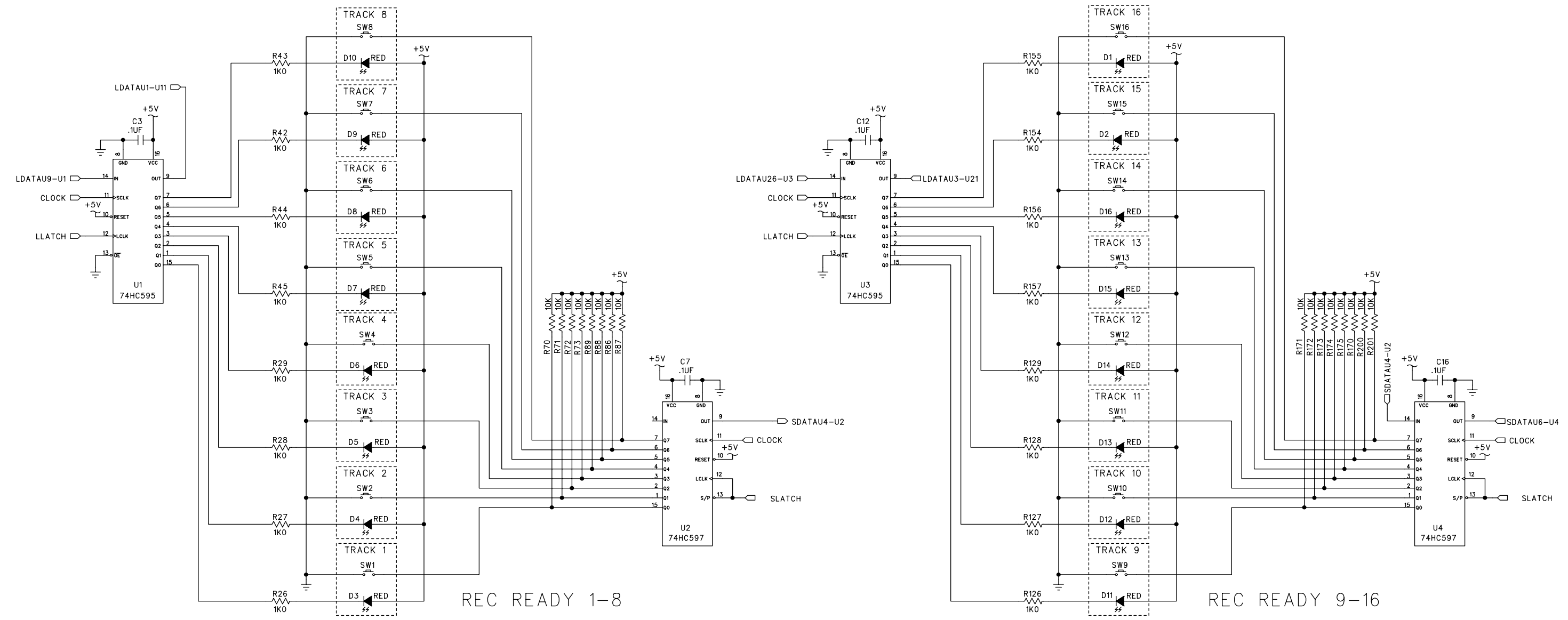
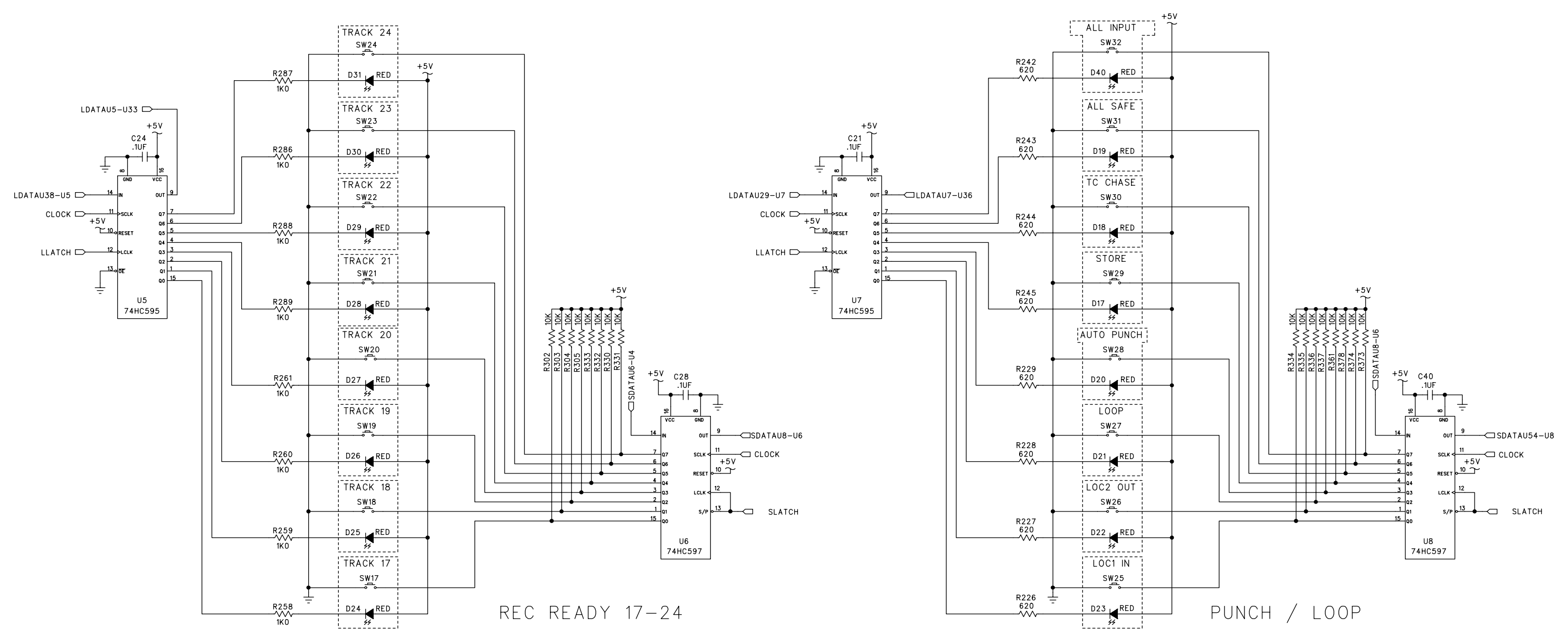


D  
C  
B  
A

D  
C  
B  
A



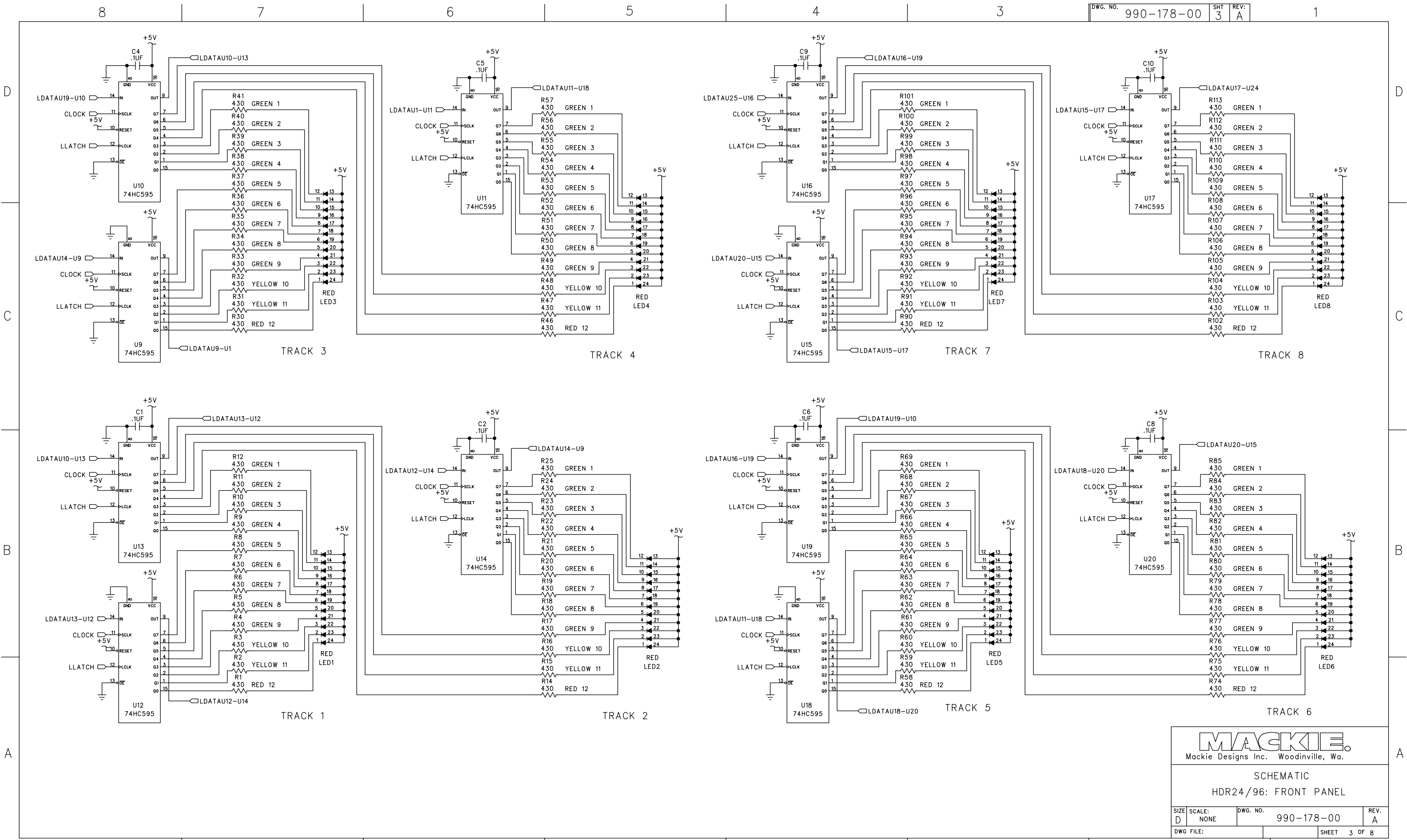
UNLESS OTHERWISE SPECIFIED DIMENSIONS ARE IN INCHES TOLERANCES ARE: FRACTIONS: DECIMALS: ANGLES: ±NA .XX ±.01 ±NA .XXX ±.005	APPROVALS	DATE	 Mackie Designs Inc. Woodinville, Wa.
	DRAWN: JT	3-02-00	
	CHECKED:		
	NP ENG:		
MATERIAL:	MATERIAL:		SCHEMATIC HDR24/96: FRONT PANEL
SEE NOTES	MFG:		
FINISH:	MFG ENG:		SIZE: D
SEE NOTES	ISSUED:		SCALE: NONE
DO NOT SCALE DRAWING			DWG. NO. 990-178-00
			REV. A
			DWG FILE:
			SHEET 1 OF 8



**MACKIE**  
Mackie Designs Inc. Woodinville, Wa.

SCHMATIC  
HDR24/96: FRONT PANEL

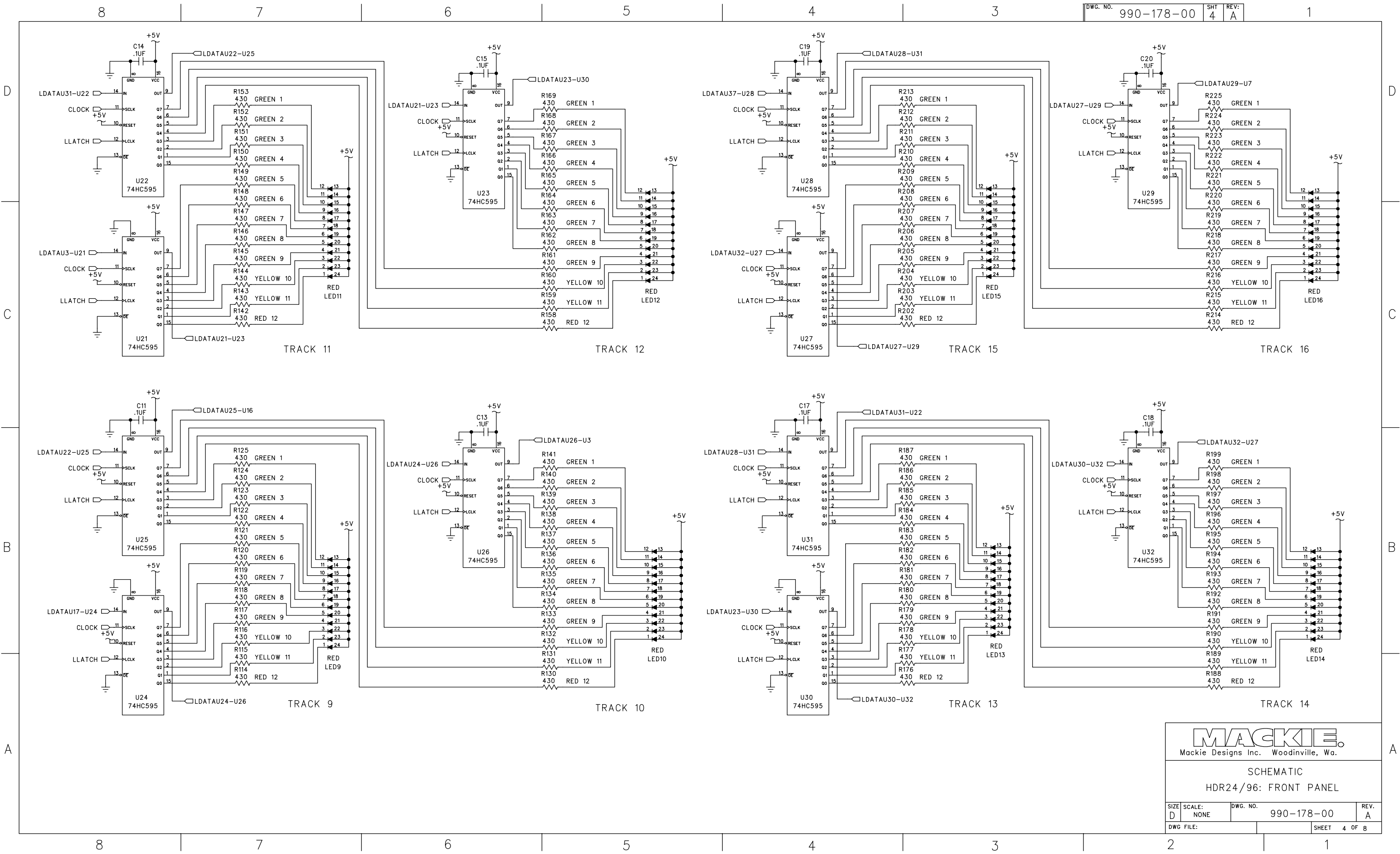
SIZE: D	SCALE: NONE	DWG. NO. 990-178-00	REV. A
DWG FILE:		SHEET 2 OF 8	



**MACKIE**  
Mackie Designs Inc. Woodinville, Wa.

SCHMATIC  
HDR24/96: FRONT PANEL

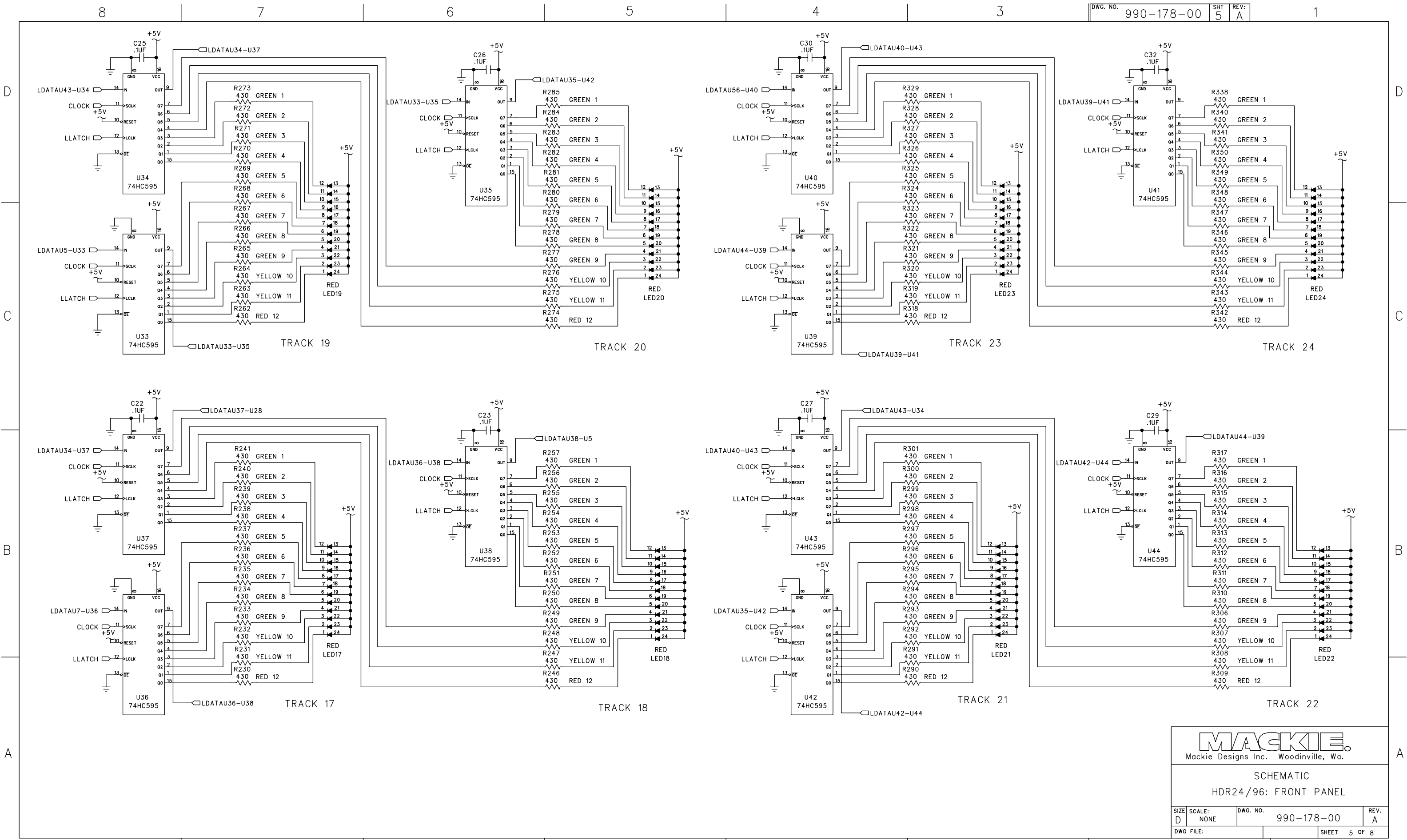
SIZE: D	SCALE: NONE	DWG. NO.: 990-178-00	REV.: A
DWG FILE:		SHEET 3 OF 8	



**MACKIE**  
Mackie Designs Inc. Woodinville, Wa.

SCHMATIC  
HDR24/96: FRONT PANEL

SIZE: D	SCALE: NONE	DWG. NO.: 990-178-00	REV.: A
DWG. FILE:		SHEET 4 OF 8	



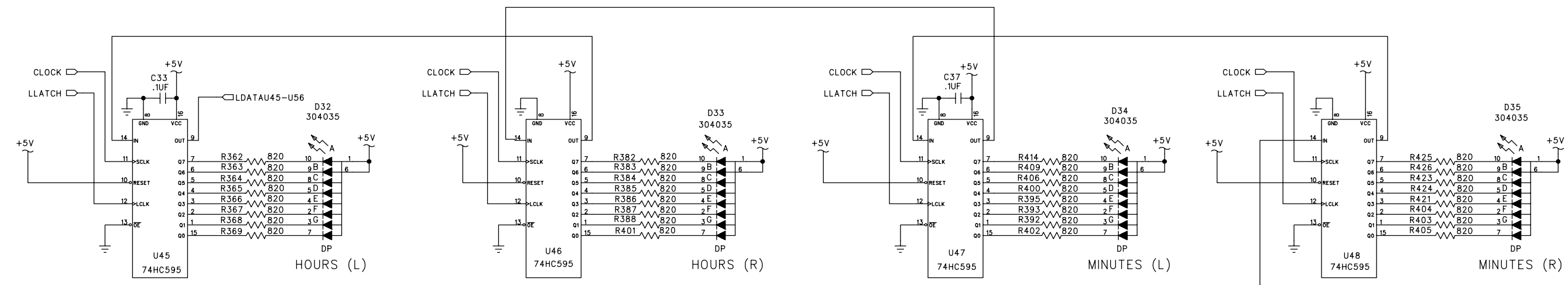
**MACKIE**  
Mackie Designs Inc. Woodinville, Wa.

SCHMATIC  
HDR24/96: FRONT PANEL

SIZE: D	SCALE: NONE	DWG. NO.: 990-178-00	REV.: A
DWG FILE:		SHEET 5 OF 8	

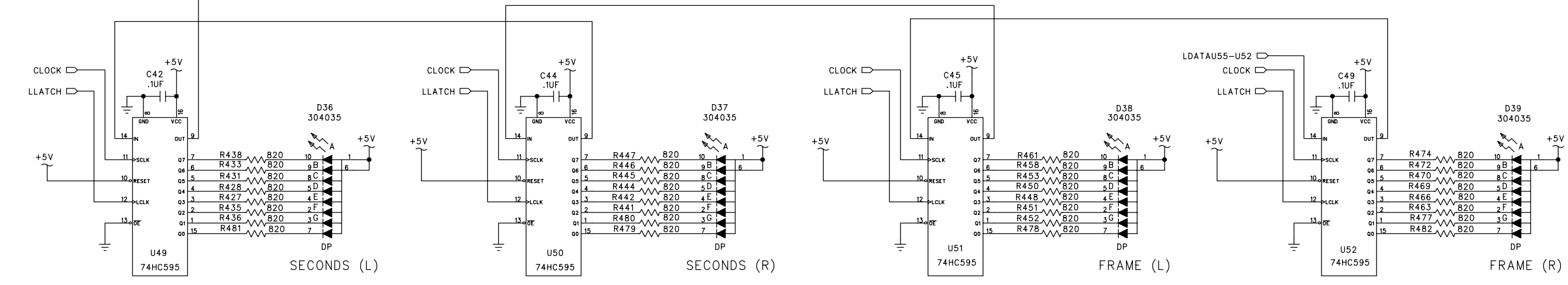
D

D



C

C



B

B

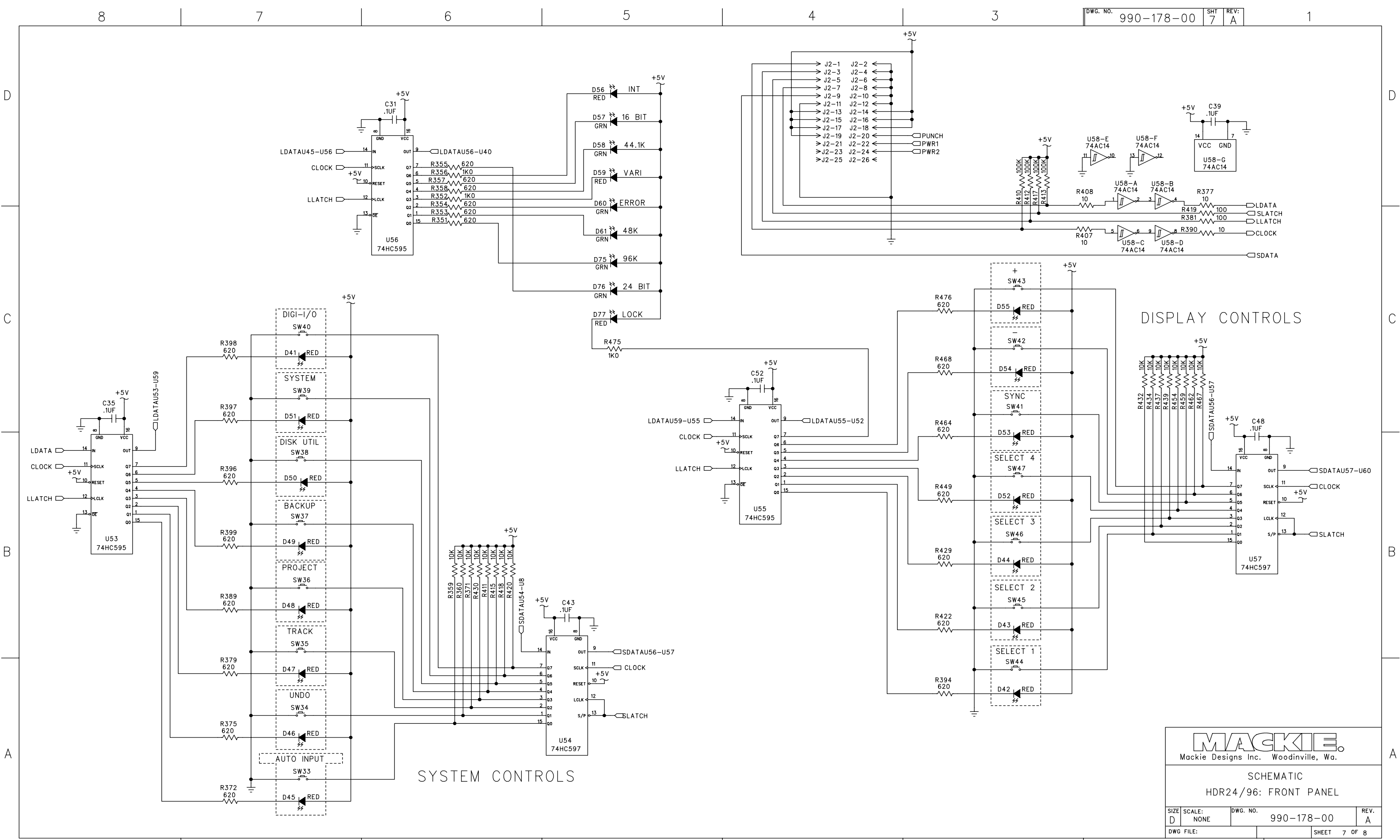
A

A

**MACKIE**  
Mackie Designs Inc. Woodinville, Wa.

SCHMATIC  
HDR24/96: FRONT PANEL

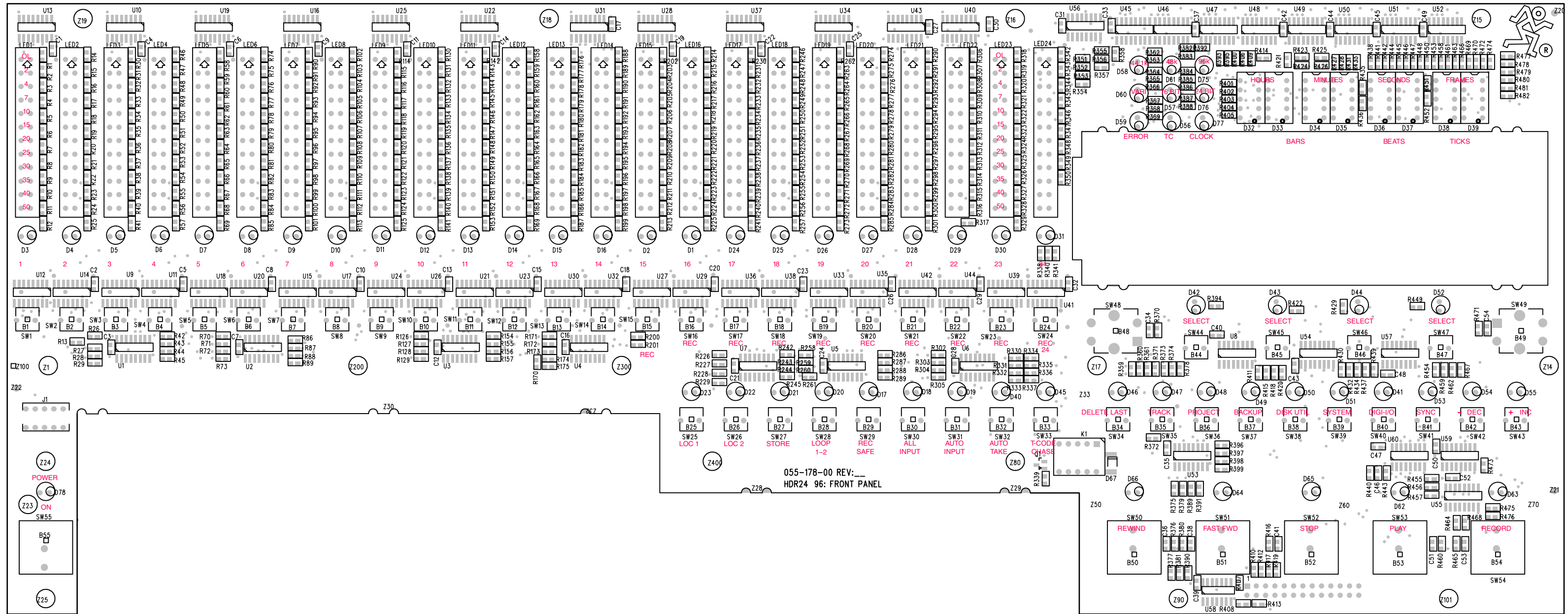
SIZE: D	SCALE: NONE	DWG. NO.: 990-178-00	REV.: A
DWG FILE:		SHEET 6 OF 8	



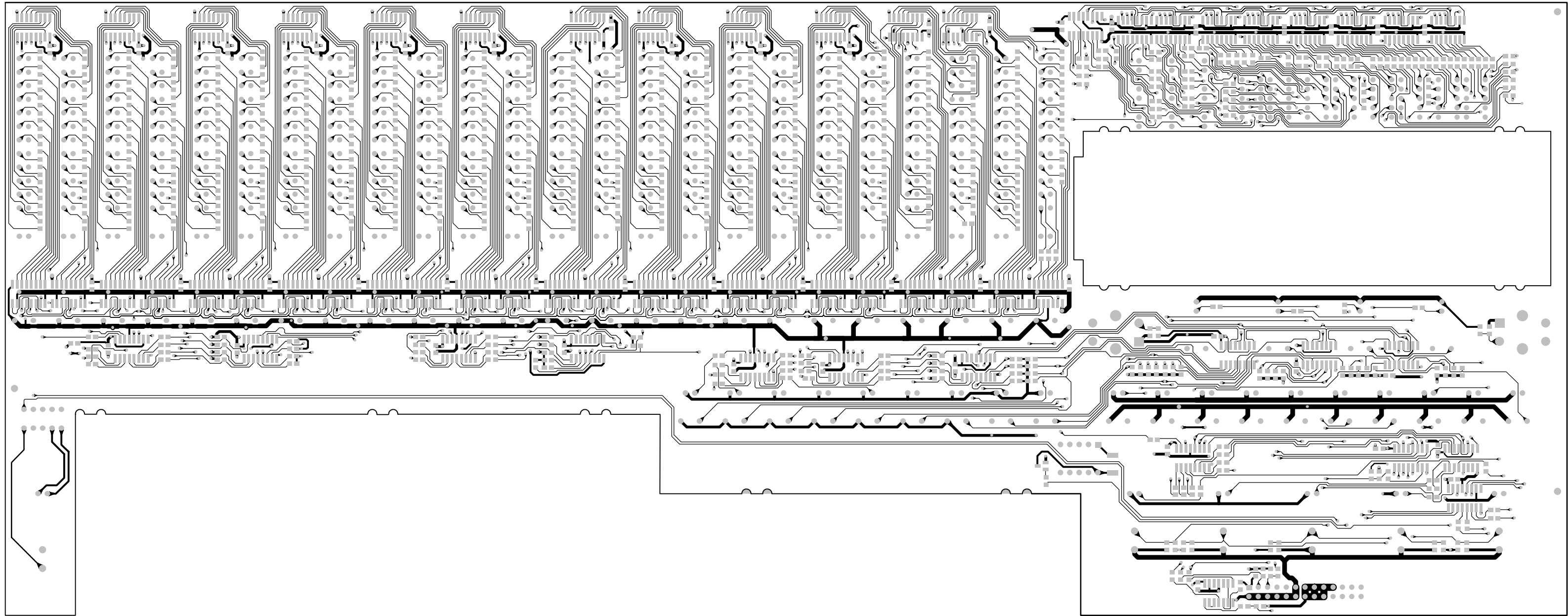
**MACKIE**  
Mackie Designs Inc. Woodinville, Wa.

SCHMATIC  
HDR24/96: FRONT PANEL

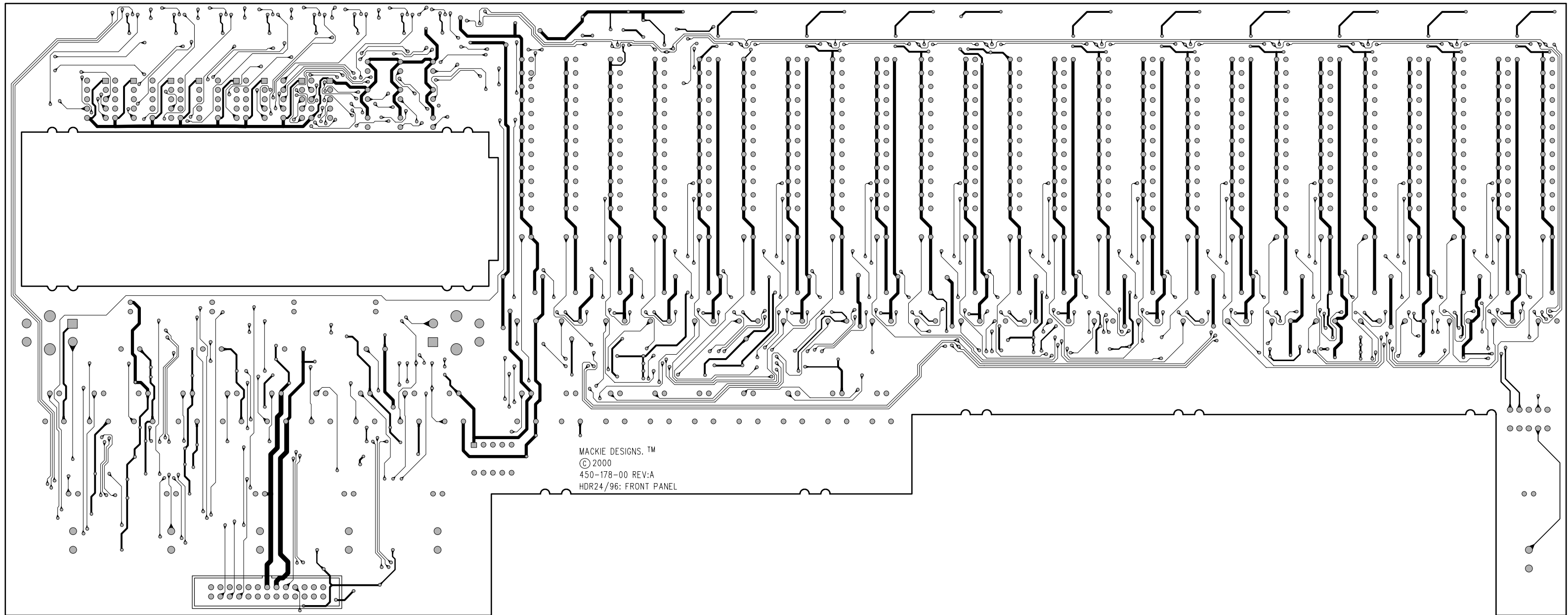
SIZE: D	SCALE: NONE	DWG. NO. 990-178-00	REV. A
DWG FILE:		SHEET 7 OF 8	







Front Surface



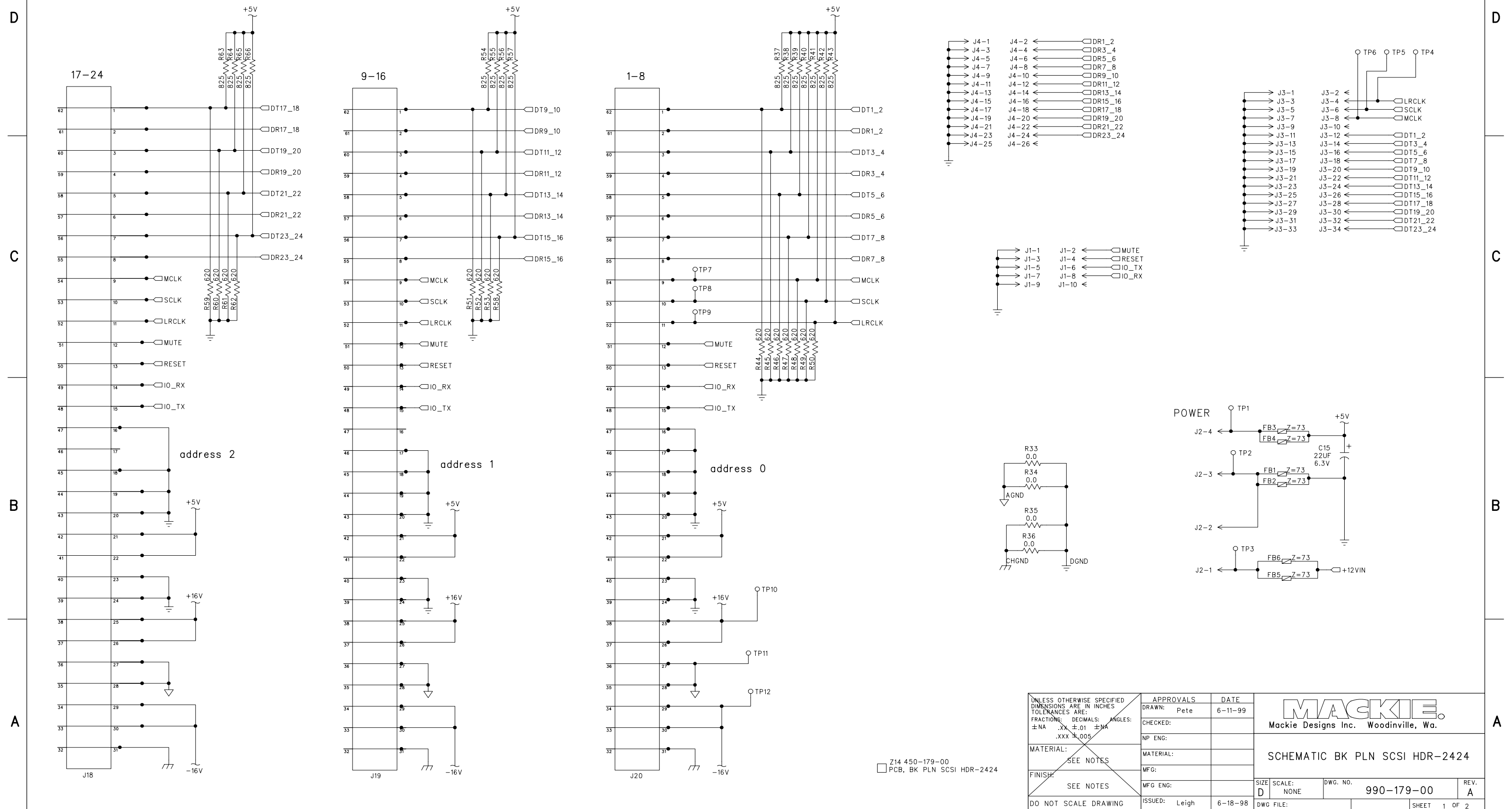
MACKIE DESIGNS.™  
© 2000  
450-178-00 REV:A  
HDR24/96: FRONT PANEL

Rear Surface

ECO#	REV:	DESCRIPTION	REV. BY:	APP. BY:	DATE
1988	C	C	WG		11-9-98

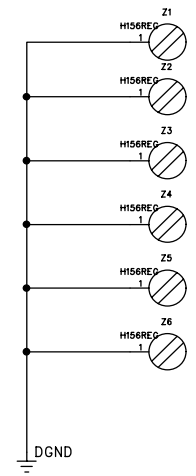
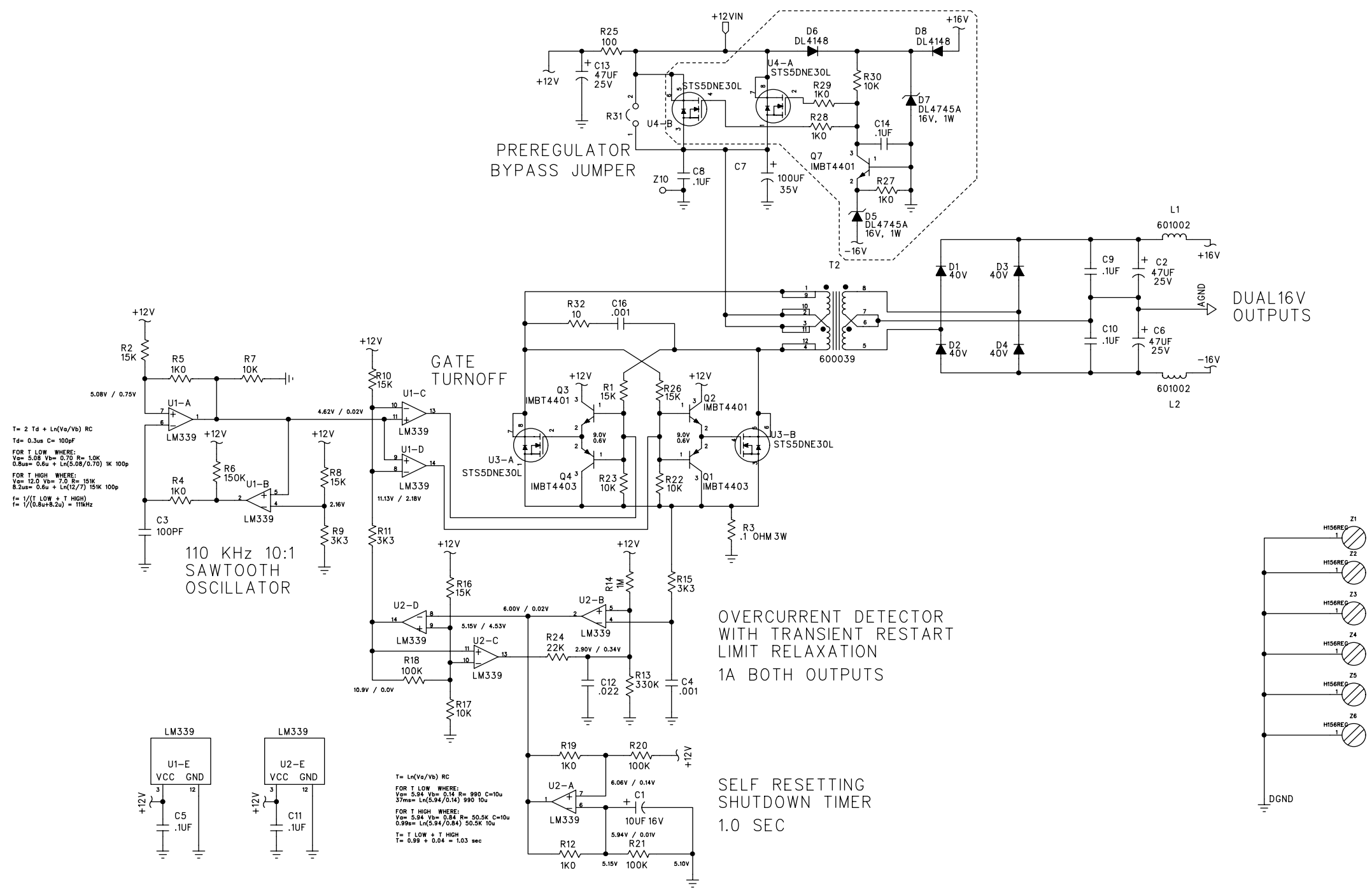
D  
C  
B  
A

D  
C  
B  
A

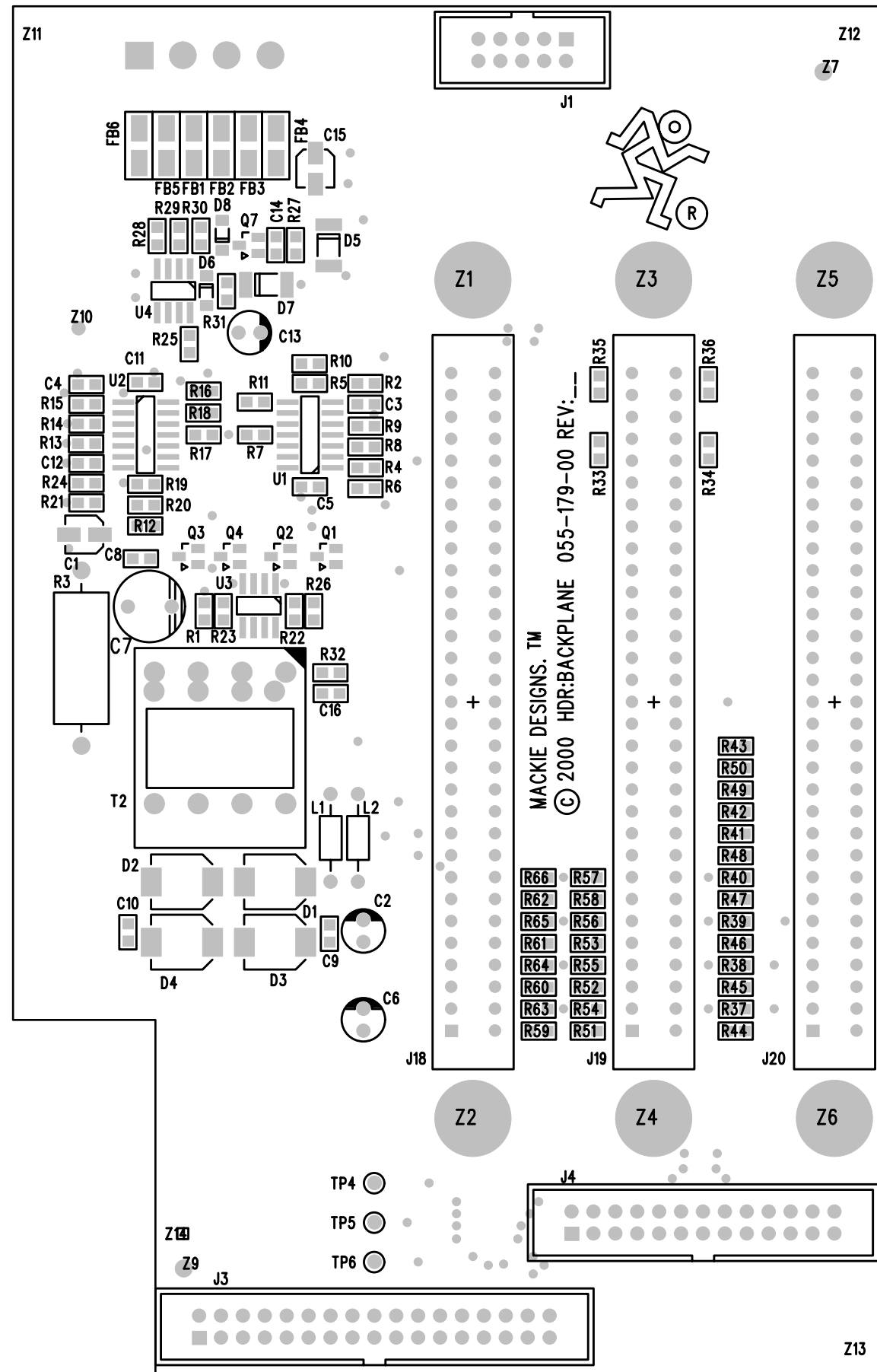


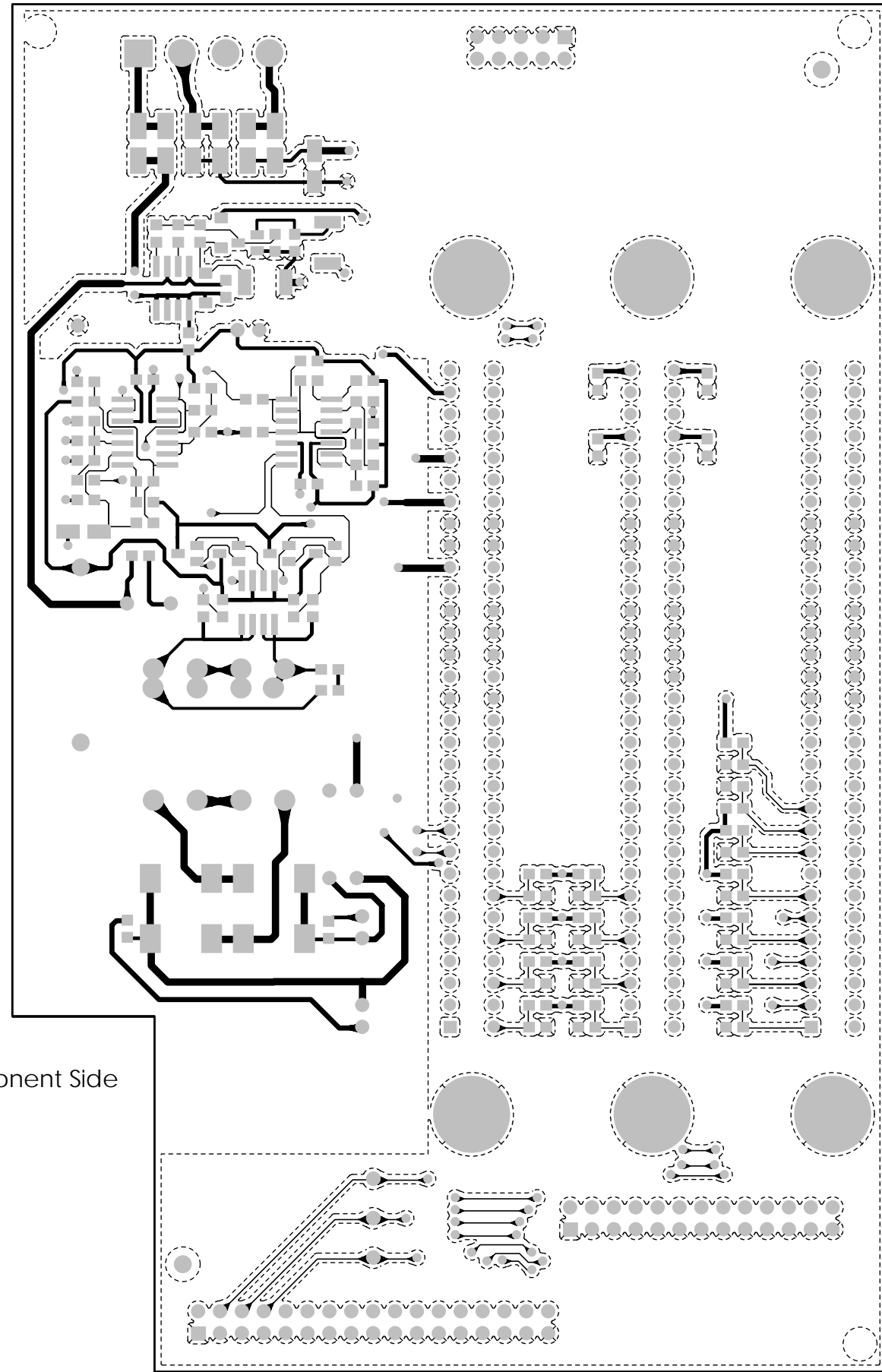
UNLESS OTHERWISE SPECIFIED DIMENSIONS ARE IN INCHES TOLERANCES ARE: FRACTIONS: DECIMALS: ANGLES: ±NA .XX ±.01 ±MA .XXX ±.005	APPROVALS	DATE	Mackie Designs Inc. Woodinville, Wa.
	DRAWN: Pete	6-11-99	
	CHECKED:		
	NP ENG:		
MATERIAL:	MATERIAL:		SCHEMATIC BK PLN SCSI HDR-2424
FINISH:	MFG:		
DO NOT SCALE DRAWING	ISSUED: Leigh	6-18-98	SIZE: D SCALE: NONE DWG. NO.: 990-179-00 SHEET 1 OF 2

OPTIONAL, LOW DROP OUT  
SERIES PASS PREREGULATOR

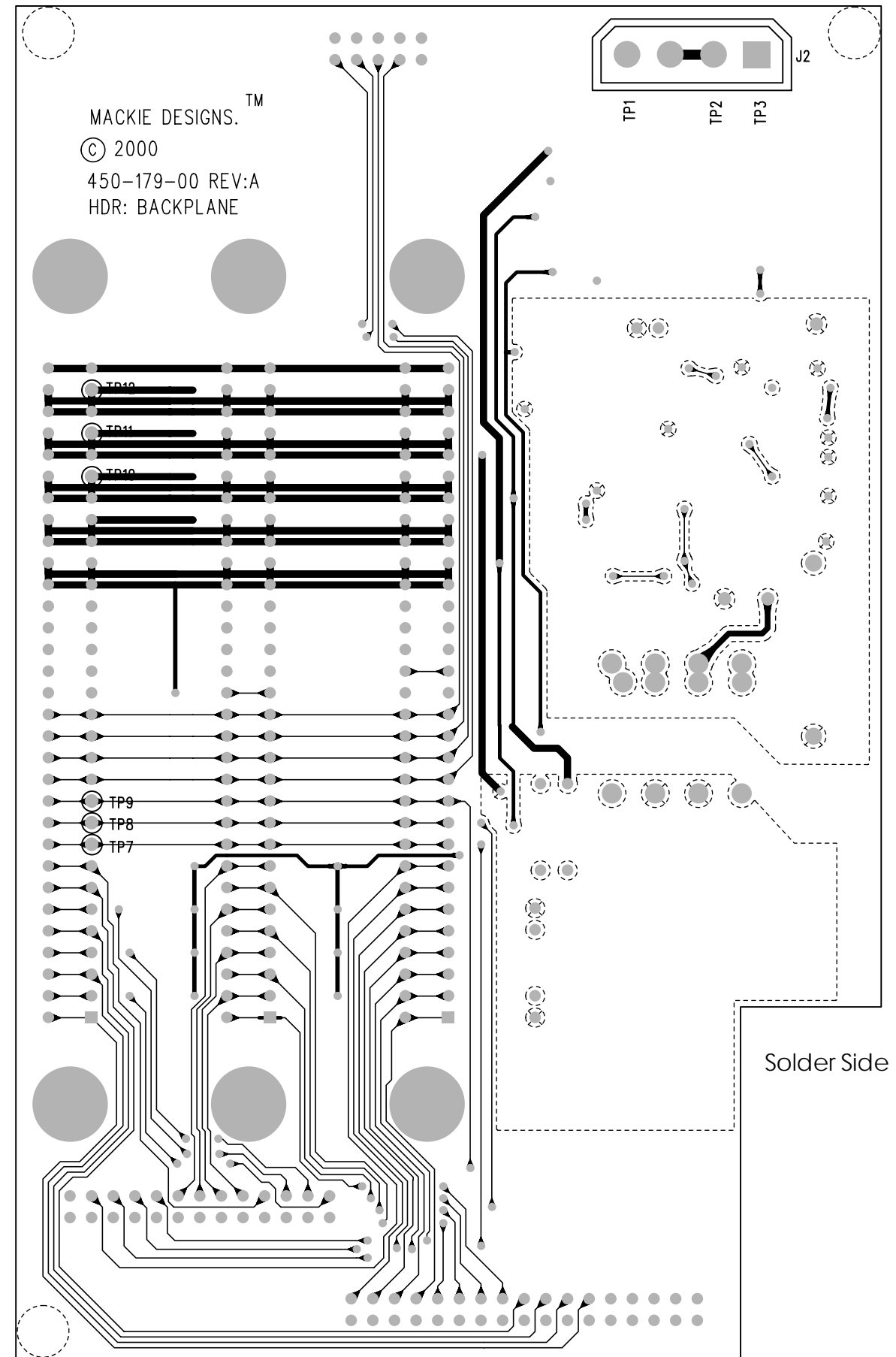


UNLESS OTHERWISE SPECIFIED DIMENSIONS ARE IN INCHES TOLERANCES ARE: FRACTIONS: DECIMALS: ANGLES: ±NA .XX ±.01 ±MA .XXX ±.005	APPROVALS	DATE	<b>MACKIE</b> Mackie Designs Inc. Woodinville, Wa.
	DRAWN: PETE	6-11-99	
MATERIAL: SEE NOTES	CHECKED:		SCHEMATIC BK PLN SCSI HDR-2424
	NP ENG:		
FINISH: SEE NOTES	MATERIAL:		SIZE SCALE: DWG. NO. REV. D NONE 990-179-00 A
	MFG:		
DO NOT SCALE DRAWING	MFG ENG:		DWG FILE: SHEET 2 OF 2
	ISSUED:		



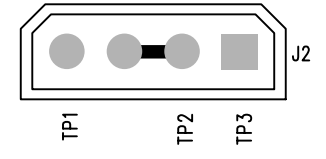


Component Side

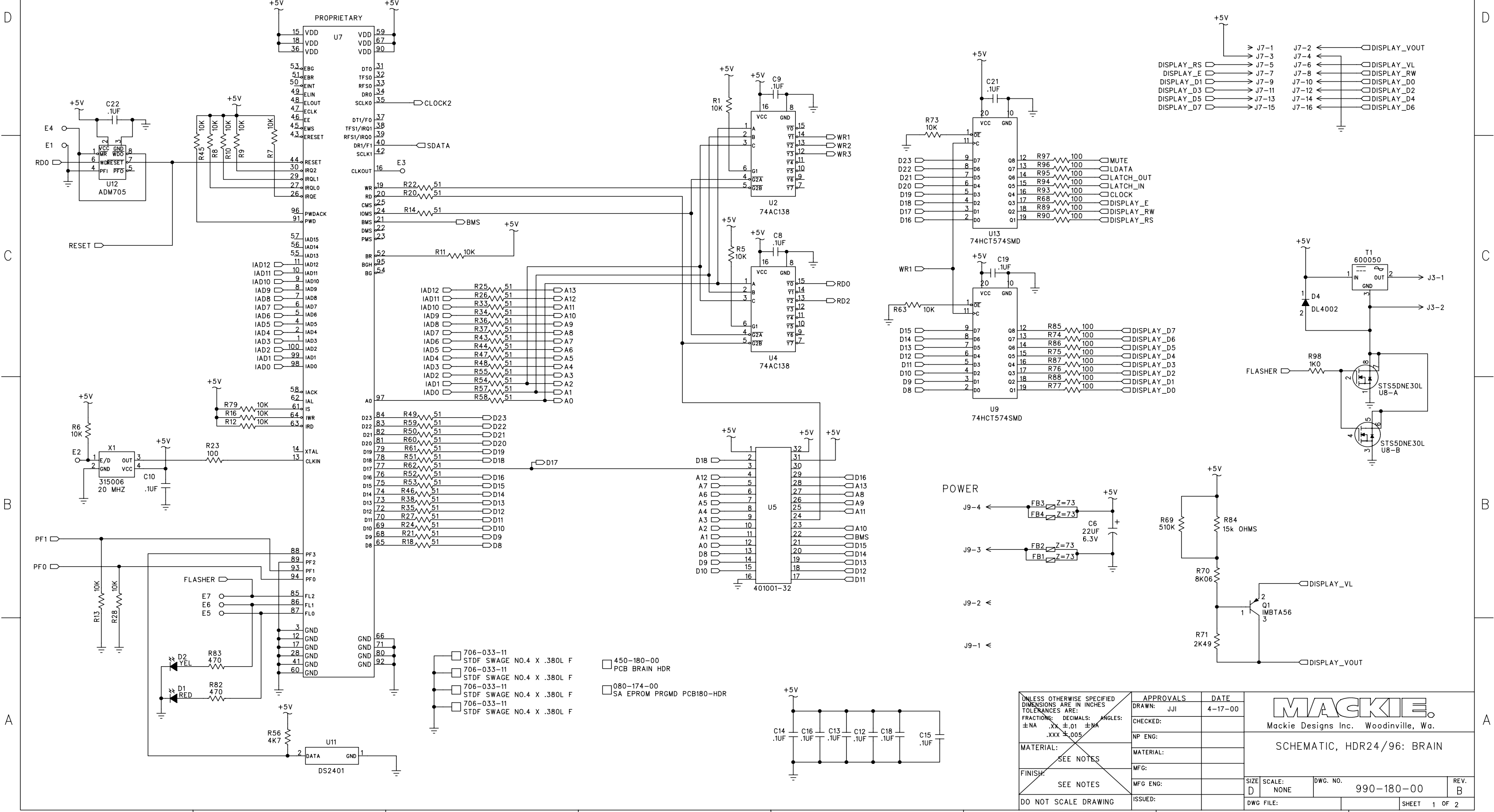


Solder Side

MACKIE DESIGNS.™  
 © 2000  
 450-179-00 REV:A  
 HDR: BACKPLANE

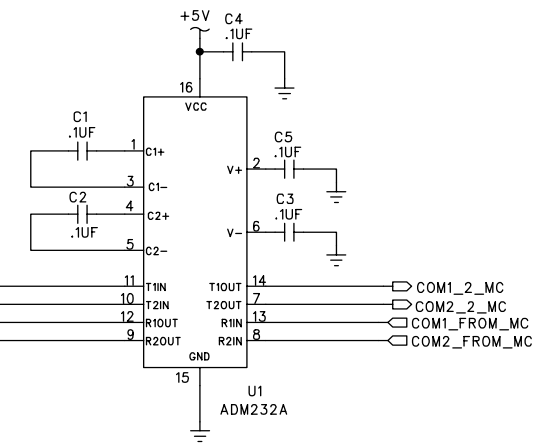
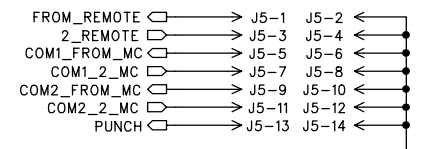
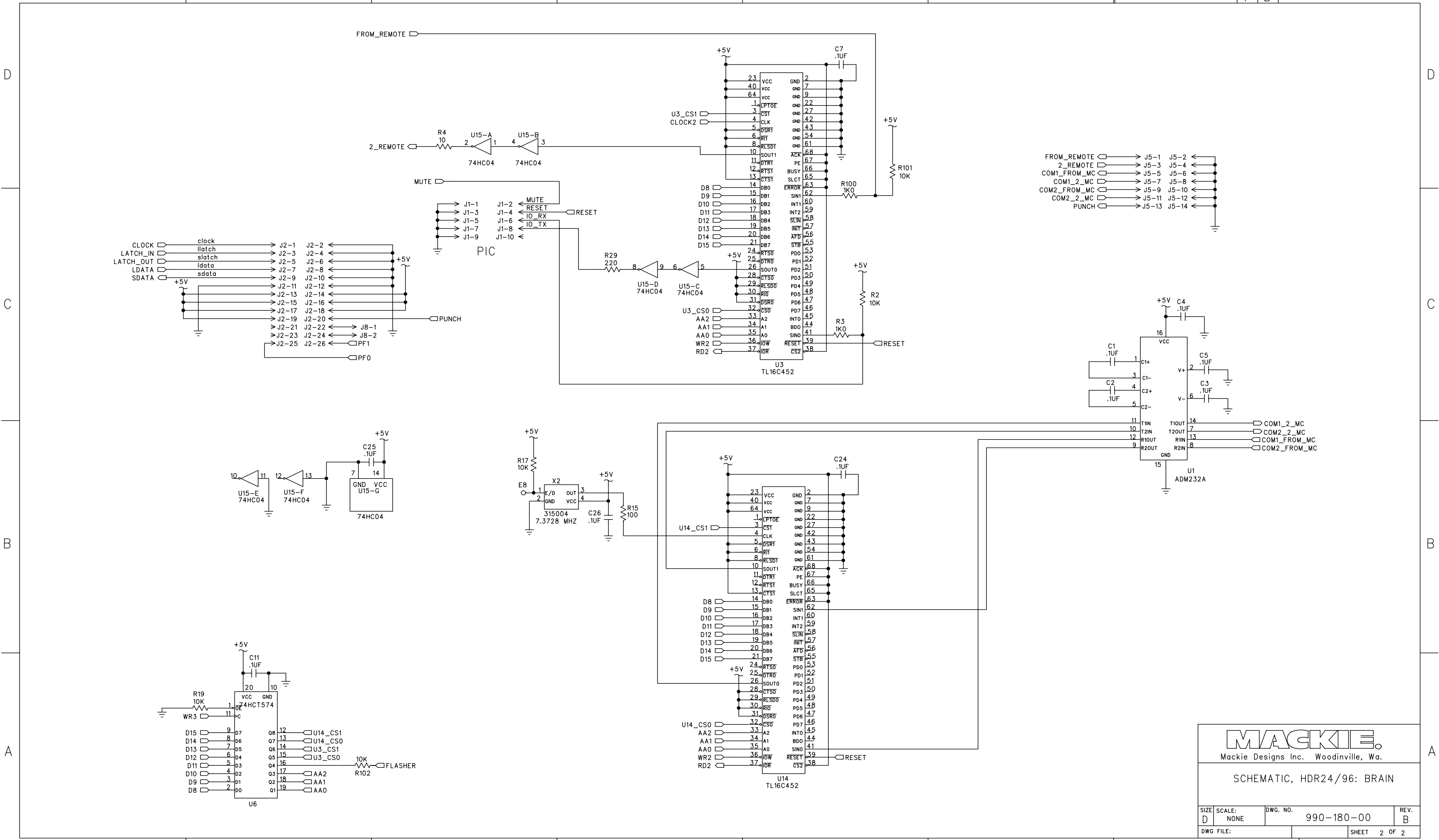


ECO#	REV:	DESCRIPTION	REV. BY:	APP. BY:	DATE
2716	B	LOCAL FIDUCIALS ADDED TO U3, U7, U14. TOOLING HOLE LOCATIONS PLACED BACK ON BOARD FOR TEST FIXTURE.	JJI		



UNLESS OTHERWISE SPECIFIED DIMENSIONS ARE IN INCHES TOLERANCES ARE:	APPROVALS	DATE
FRACTIONS: DECIMALS: ANGLES: ±NA .XX ±.01 ±MA .XXX ±.005	DRAWN: JJI	4-17-00
	CHECKED:	
	NP ENG:	
MATERIAL: SEE NOTES	MATERIAL:	
FINISH: SEE NOTES	MFG:	
	MFG ENG:	
DO NOT SCALE DRAWING	ISSUED:	

<b>MACKIE.</b>		
Mackie Designs Inc. Woodville, Wa.		
SCHEMATIC, HDR24/96: BRAIN		
SIZE D	SCALE: NONE	DWG. NO. 990-180-00
DWG FILE:		REV. B
		SHEET 1 OF 2

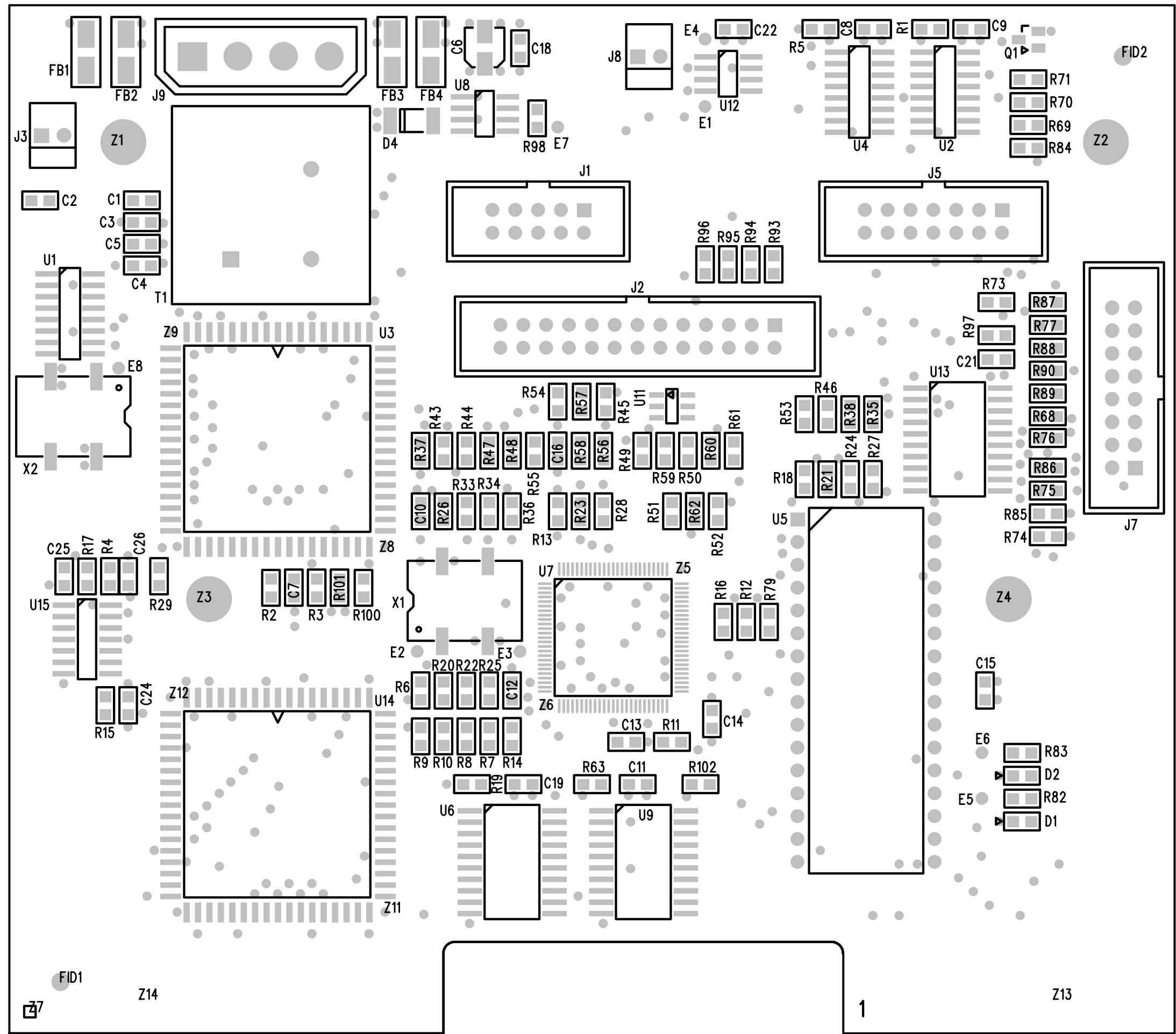


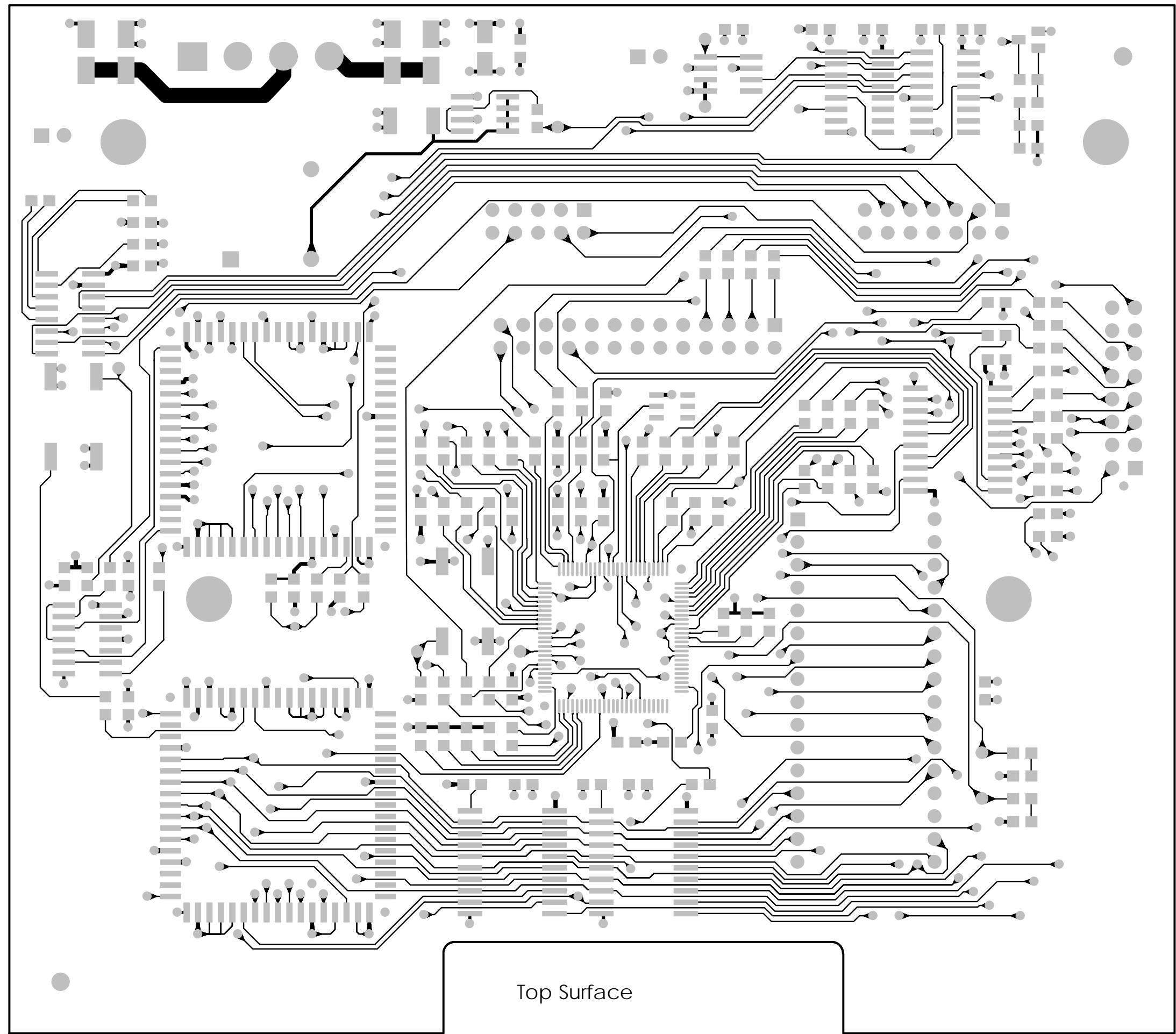
**MACKIE.**  
 Mackie Designs Inc. Woodville, Wa.

SCHMATIC, HDR24/96: BRAIN

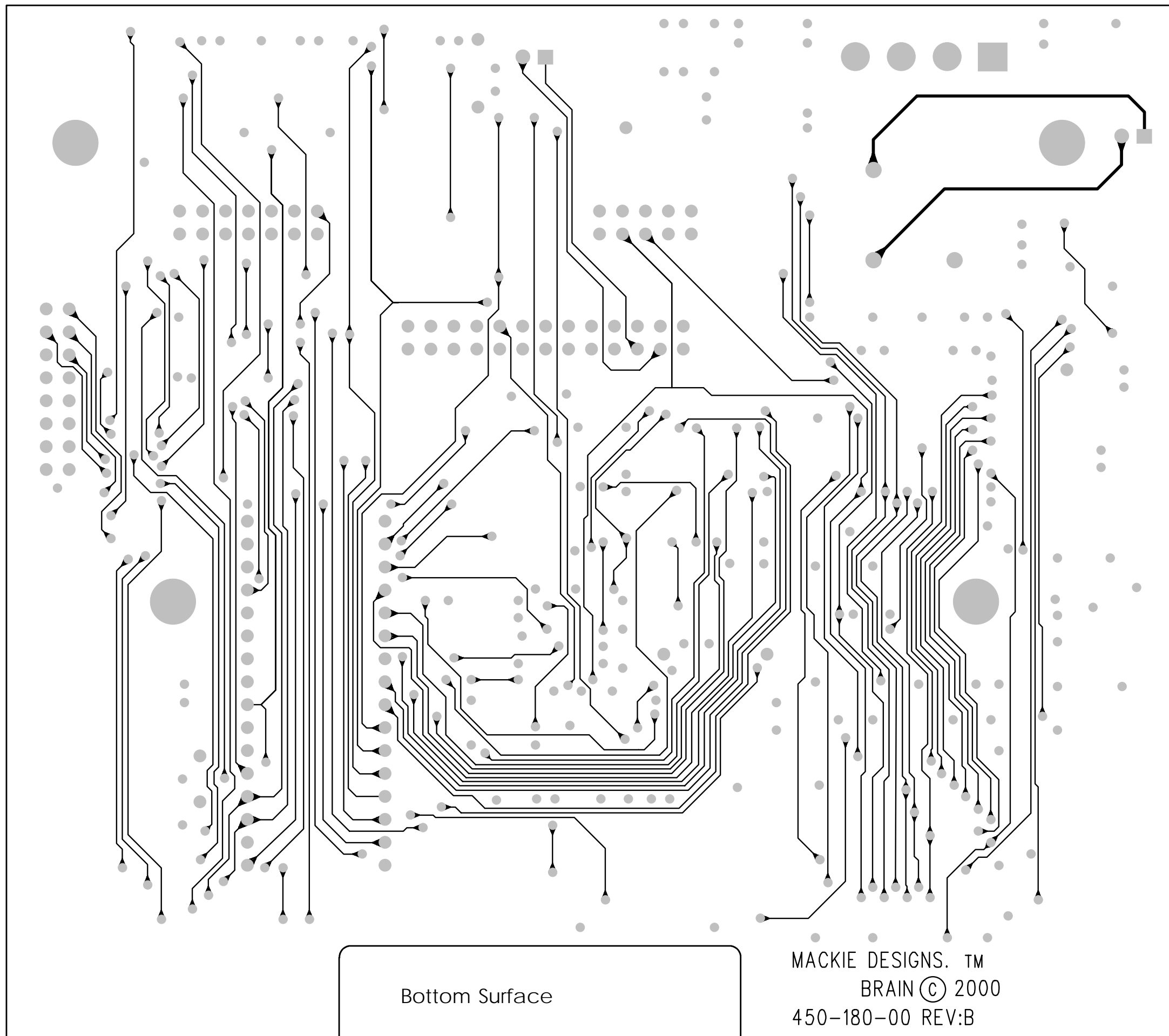
SIZE: D	SCALE: NONE	DWG. NO. 990-180-00	REV. B
DWG FILE:		SHEET 2 OF 2	





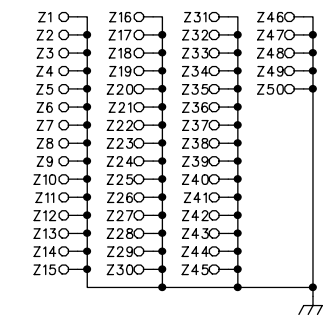
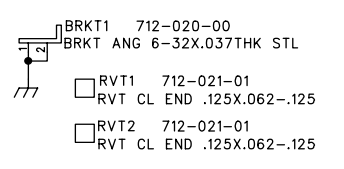
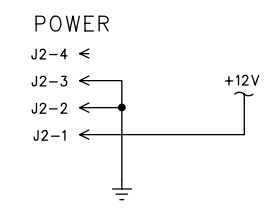
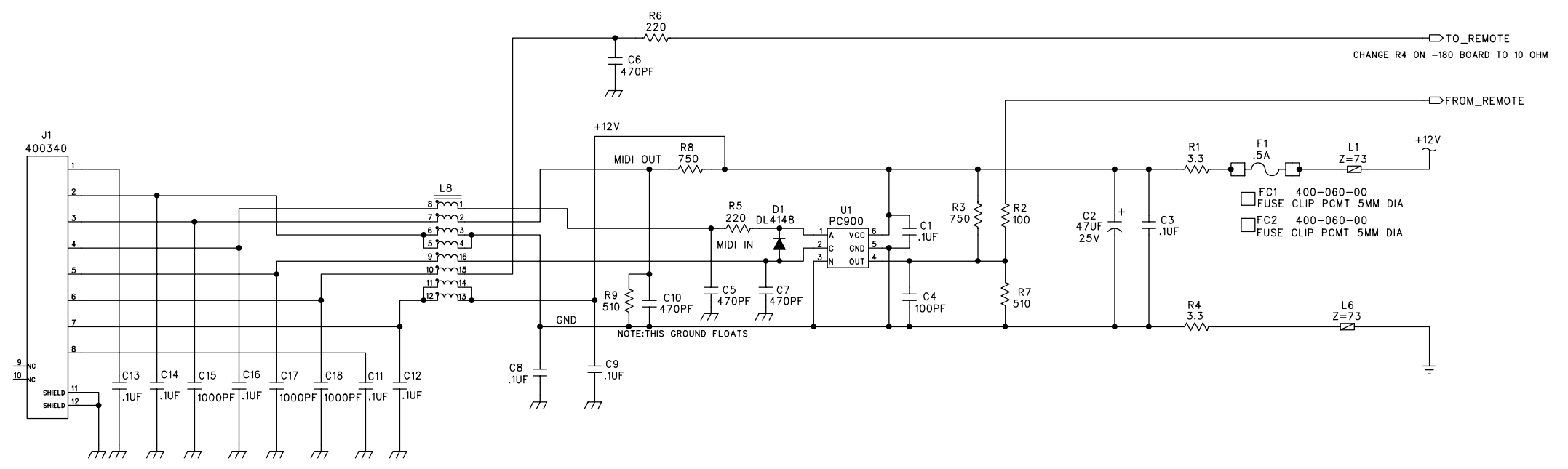
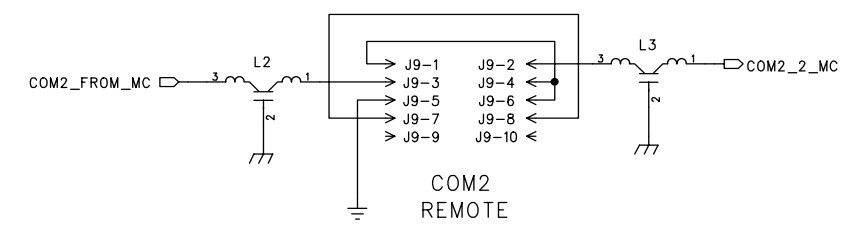
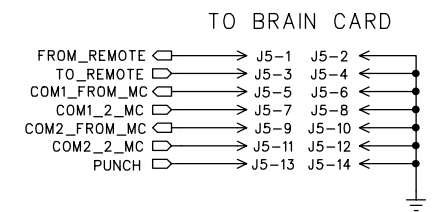
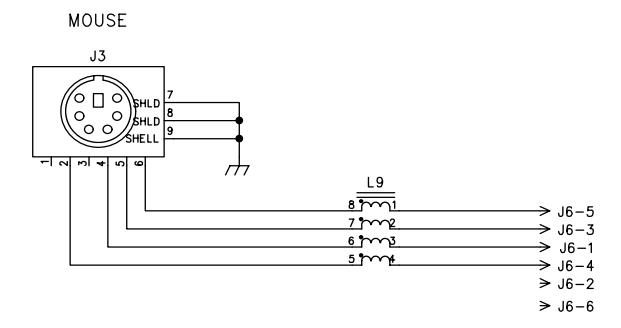
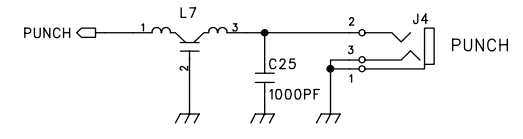
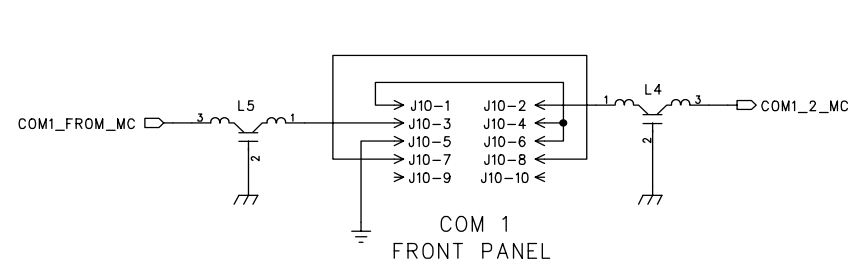


Top Surface



Bottom Surface

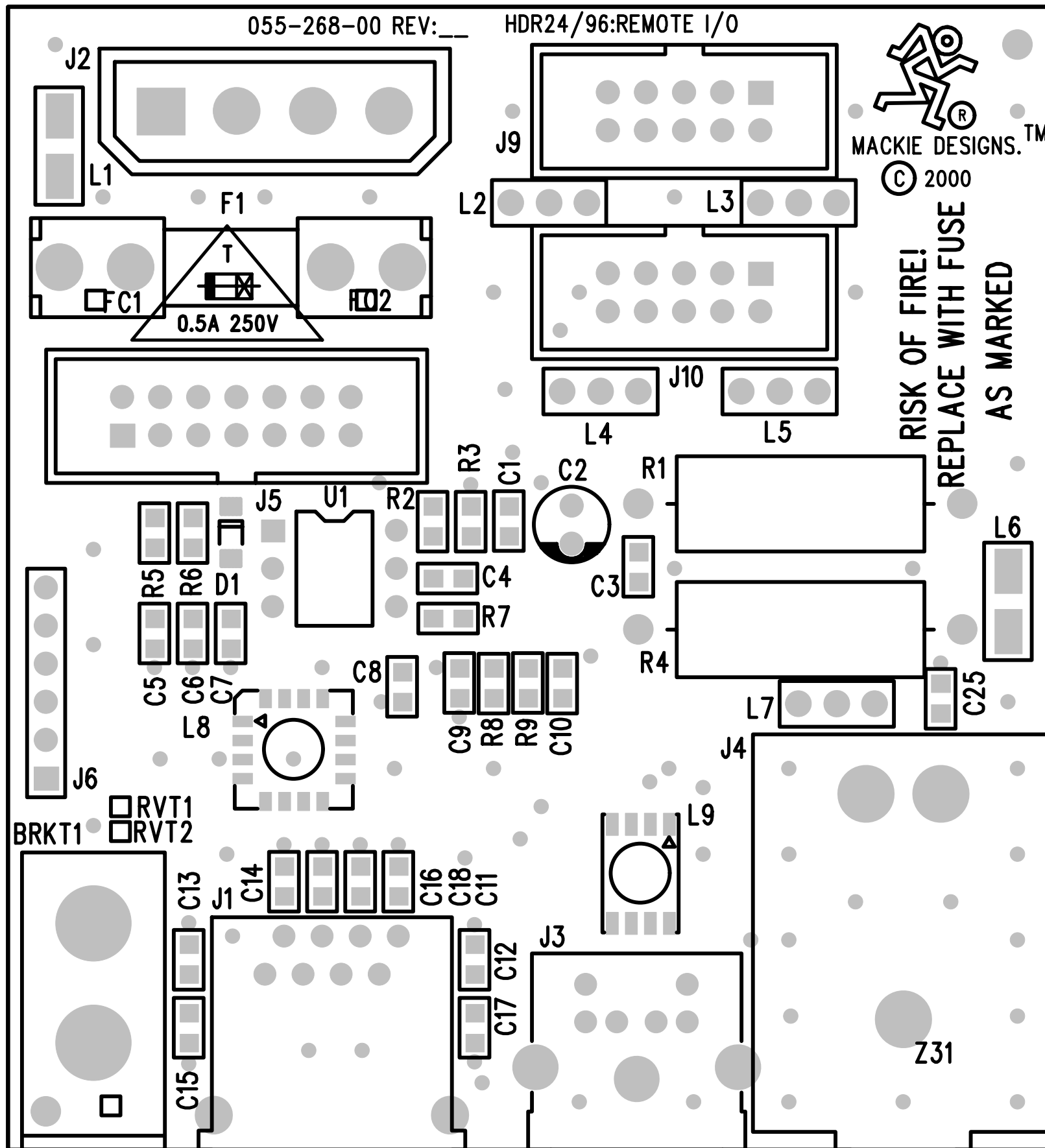
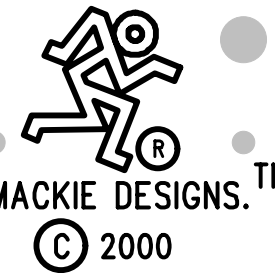
MACKIE DESIGNS.™  
BRAIN © 2000  
450-180-00 REV:B



Z100 450-268-00  
PCB, HDR24/96: REMOTE I/O

UNLESS OTHERWISE SPECIFIED DIMENSIONS ARE IN INCHES TOLERANCES ARE: FRACTIONS: XX ±.01 ±MA DECIMALS: .XXX ±.005 ANGLES: ±NA	APPROVALS	DATE	<p>Mackie Designs Inc. Woodinville, Wa.</p>
	DRAWN: PETE	5-12-99	
	CHECKED:		
	NP ENG:		
MATERIAL:	MATERIAL:	SCHEMATIC, HDR24/96: REMOTE I/O	
SEE NOTES	MFG:		
FINISH:	MFG ENG:		
DO NOT SCALE DRAWING	ISSUED:		

SIZE D	SCALE: NONE	DWG. NO. 990-268-00	REV. A
DWG FILE:		SHEET 1 OF 1	

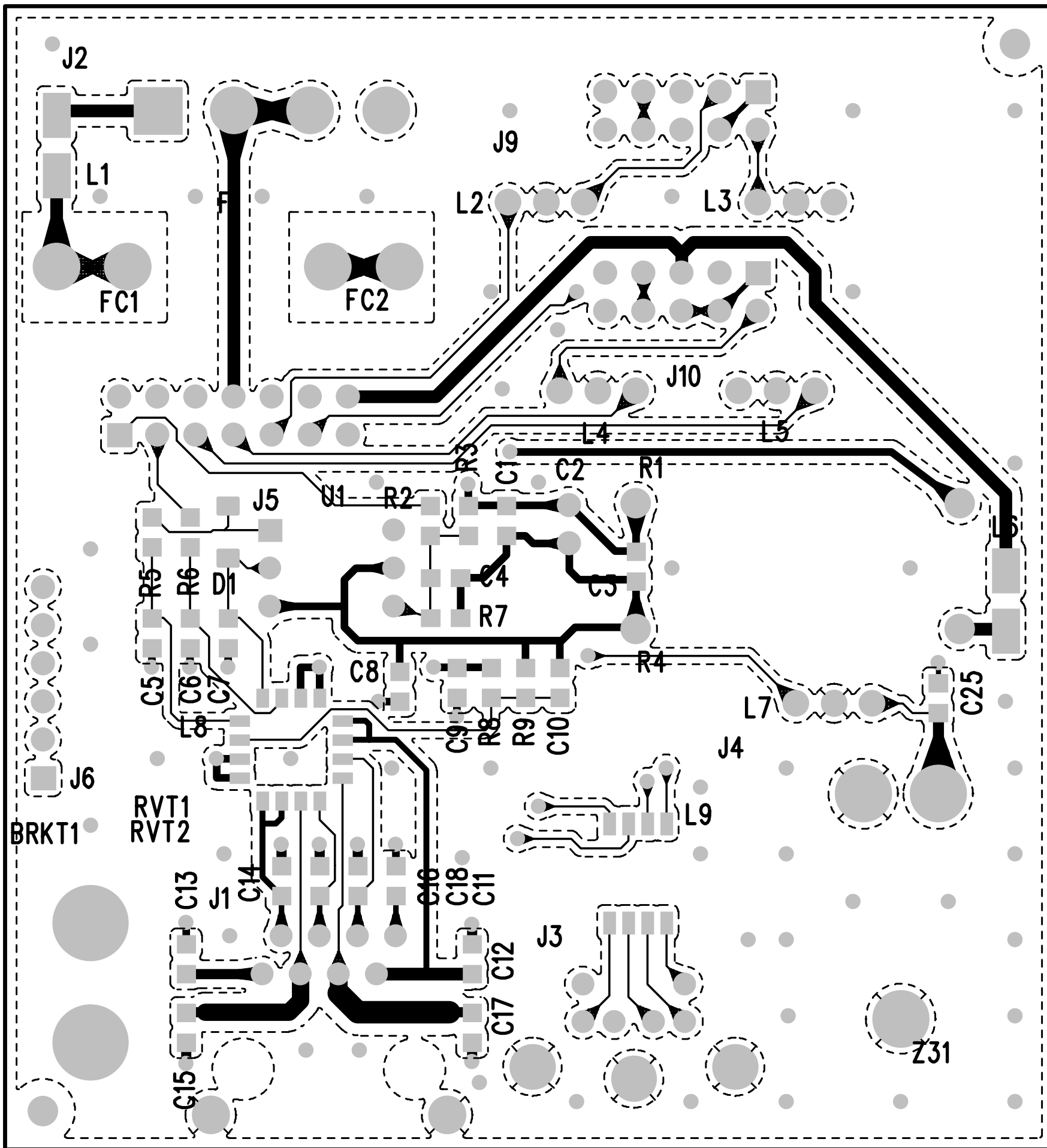


RISK OF FIRE!  
REPLACE WITH FUSE  
AS MARKED

Remote

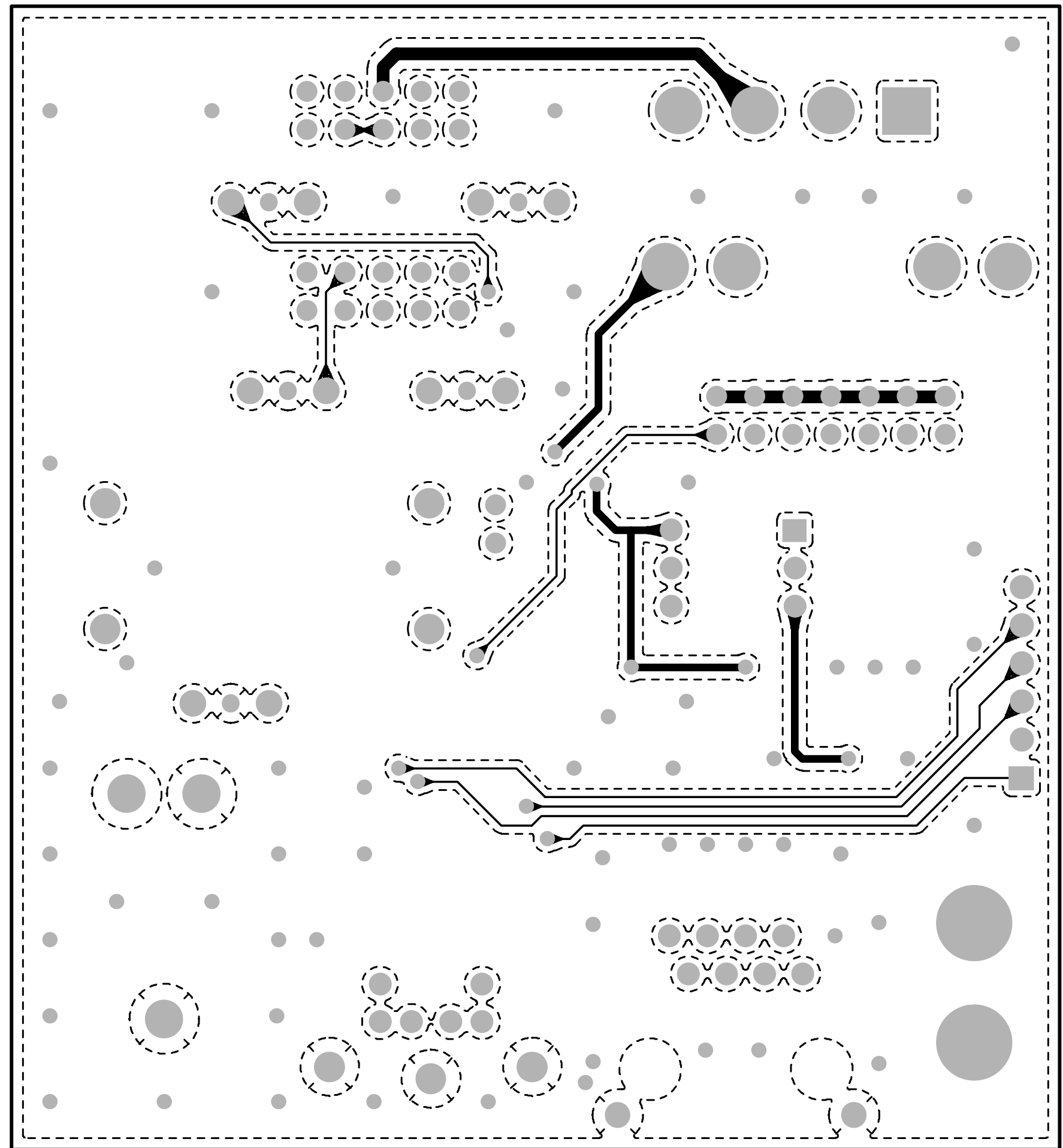
Wee Mousey

Punch



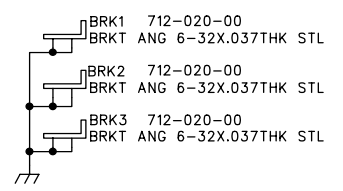
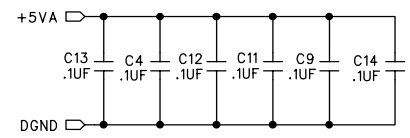
Top Surface  
 (Dotted lines are  
 the copper fill)

Bottom Surface  
(Dotted lines are  
the copper fill)



D  
C  
B  
A

D  
C  
B  
A



- Z1 450-291-00 PCB, HDR: SMALL REMOTE
- Z2 700-012-00 MCH 4-40X3/8 PHP CLRZC
- Z3 705-005-00 NUT LOCK 4-40
- SP2 706-096-00 SPCR PVC .120 LED TRI
- SP1 706-096-00 SPCR PVC .120 LED TRI

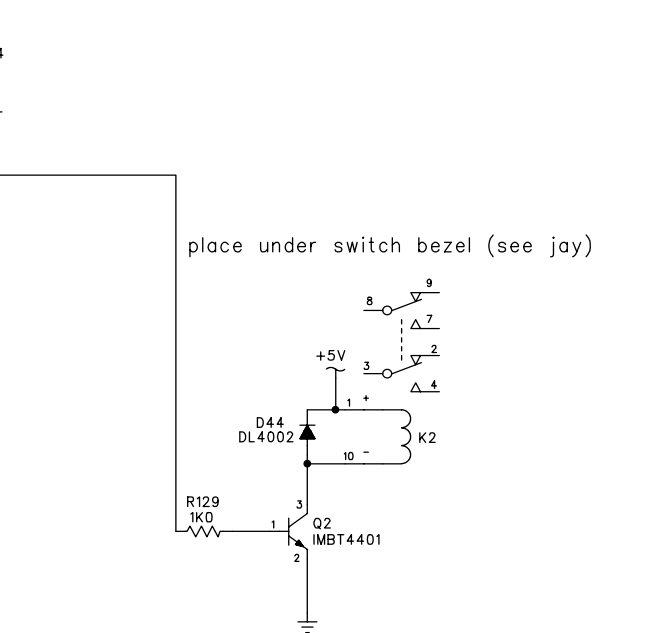
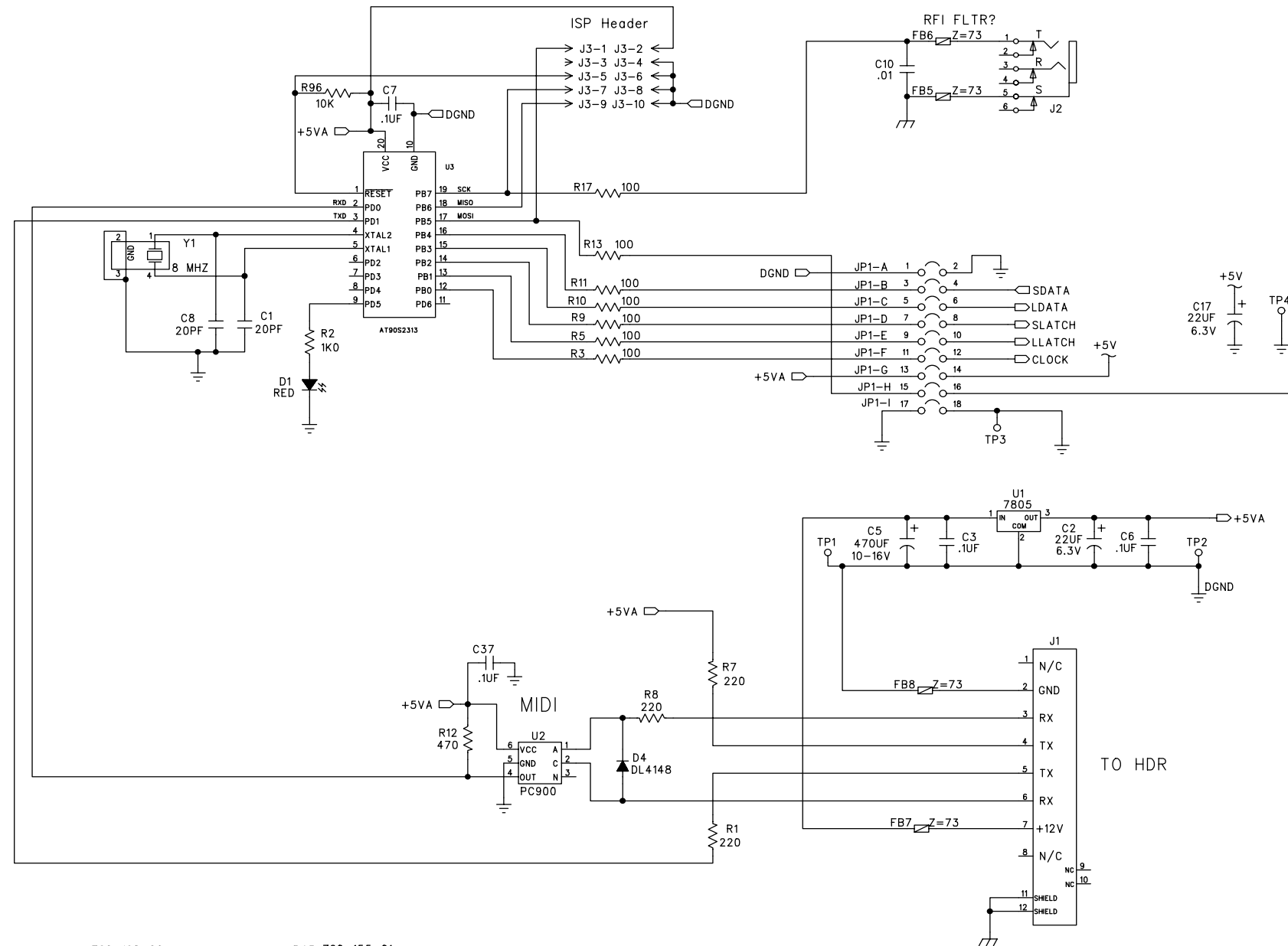
- RVT1 712-021-01 RVT CL END .125X.062-.125
- RVT2 712-021-01 RVT CL END .125X.062-.125
- RVT3 712-021-01 RVT CL END .125X.062-.125
- RVT4 712-021-01 RVT CL END .125X.062-.125
- RVT5 712-021-01 RVT CL END .125X.062-.125
- RVT6 712-021-01 RVT CL END .125X.062-.125

- B1 760-168-00 BTN .280 IN DIA HDR/D2B
- B2 760-168-00 BTN .280 IN DIA HDR/D2B
- B3 760-168-00 BTN .280 IN DIA HDR/D2B
- B4 760-168-00 BTN .280 IN DIA HDR/D2B
- B5 760-168-00 BTN .280 IN DIA HDR/D2B
- B6 760-168-00 BTN .280 IN DIA HDR/D2B
- B7 760-168-00 BTN .280 IN DIA HDR/D2B
- B8 760-168-00 BTN .280 IN DIA HDR/D2B
- B9 760-168-00 BTN .280 IN DIA HDR/D2B
- B10 760-168-00 BTN .280 IN DIA HDR/D2B
- B11 760-168-00 BTN .280 IN DIA HDR/D2B
- B12 760-168-00 BTN .280 IN DIA HDR/D2B
- B13 760-168-00 BTN .280 IN DIA HDR/D2B
- B14 760-168-00 BTN .280 IN DIA HDR/D2B
- B15 760-168-00 BTN .280 IN DIA HDR/D2B
- B16 760-168-00 BTN .280 IN DIA HDR/D2B
- B17 760-168-00 BTN .280 IN DIA HDR/D2B

- B18 760-168-00 BTN .280 IN DIA HDR/D2B
- B19 760-168-00 BTN .280 IN DIA HDR/D2B
- B20 760-168-00 BTN .280 IN DIA HDR/D2B
- B21 760-168-00 BTN .280 IN DIA HDR/D2B
- B22 760-168-00 BTN .280 IN DIA HDR/D2B
- B23 760-168-00 BTN .280 IN DIA HDR/D2B
- B24 760-168-00 BTN .280 IN DIA HDR/D2B
- B25 760-168-00 BTN .280 IN DIA HDR/D2B
- B26 760-168-00 BTN .280 IN DIA HDR/D2B
- B27 760-168-00 BTN .280 IN DIA HDR/D2B
- B28 760-168-00 BTN .280 IN DIA HDR/D2B
- B29 760-168-00 BTN .280 IN DIA HDR/D2B
- B30 760-168-00 BTN .280 IN DIA HDR/D2B

- B31 760-168-00 BTN .280 IN DIA HDR/D2B
- B32 760-168-00 BTN .280 IN DIA HDR/D2B
- B33 760-168-00 BTN .280 IN DIA HDR/D2B
- B34 760-168-00 BTN .280 IN DIA HDR/D2B
- B35 760-168-00 BTN .280 IN DIA HDR/D2B
- B36 760-168-00 BTN .280 IN DIA HDR/D2B
- B37 760-168-00 BTN .280 IN DIA HDR/D2B
- B38 760-168-00 BTN .280 IN DIA HDR/D2B
- B39 760-168-00 BTN .280 IN DIA HDR/D2B
- B40 760-168-00 BTN .280 IN DIA HDR/D2B
- B41 760-168-00 BTN .280 IN DIA HDR/D2B
- B42 760-168-00 BTN .280 IN DIA HDR/D2B

- B43 760-155-01 BTN, TRANSPRT LG .61X.5 RWFF
- B44 760-155-01 BTN, TRANSPRT LG .61X.5 RWFF
- B45 760-155-03 BTN, TRANSPRT LG .61X.5 STP
- B46 760-155-04 BTN, TRANSPRT LG .61X.5 PLY
- B47 760-155-05 BTN, TRANSPRT LG .61X.5 REC
- Z30 706-099-00 SPCR PVC T1 LED .350
- Z31 706-099-00 SPCR PVC T1 LED .350
- Z32 706-099-00 SPCR PVC T1 LED .350
- Z33 706-099-00 SPCR PVC T1 LED .350
- Z34 706-099-00 SPCR PVC T1 LED .350



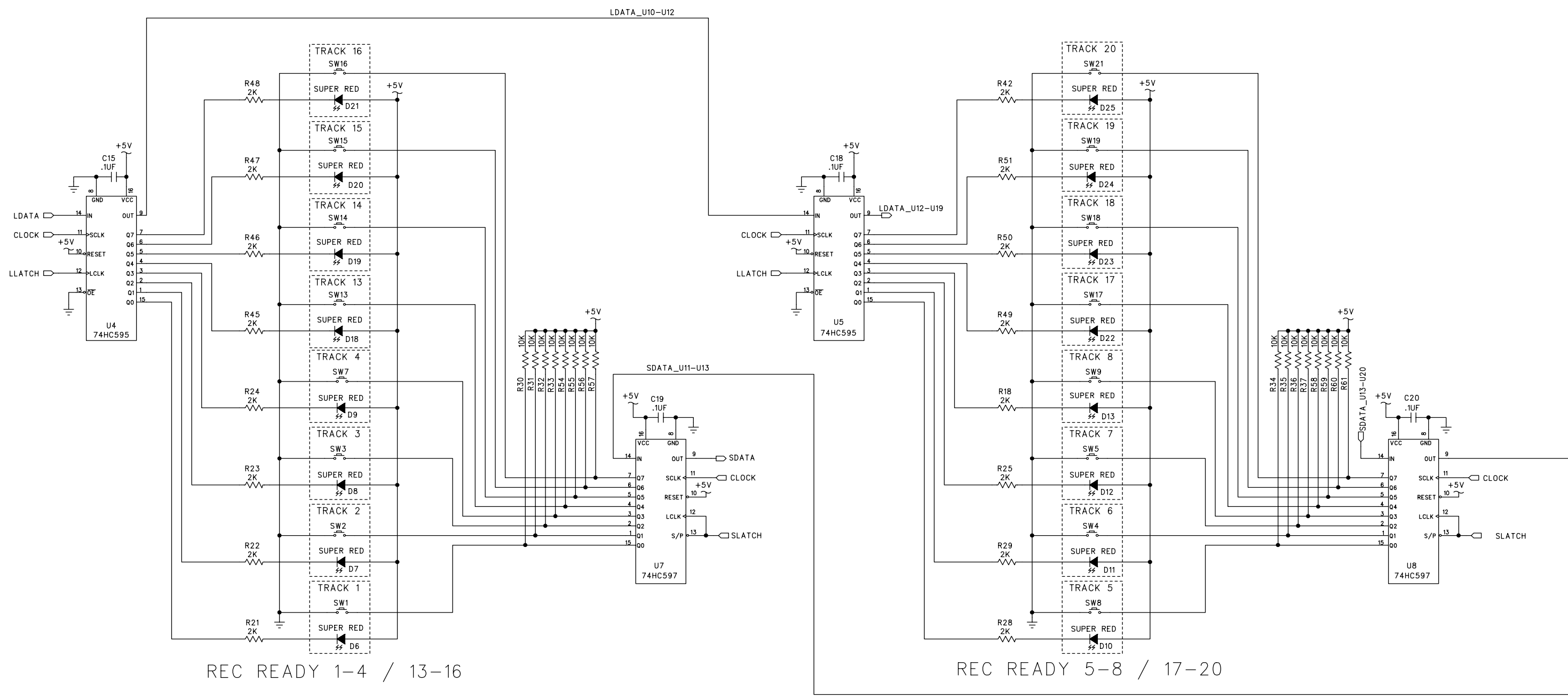
place under switch bezel (see jay)

UNLESS OTHERWISE SPECIFIED DIMENSIONS ARE IN INCHES TOLERANCES ARE: FRACTIONS: DECIMALS: ANGLES: ±.NA .XX ±.01 ±MA .XXX ±.005	APPROVALS	DATE	 Mackie Designs Inc. Woodinville, Wa.
	DRAWN: JJI	3-31-00	
MATERIAL: SEE NOTES	CHECKED:		SCHEMATIC, SMALL REMOTE
	NP ENG:		
FINISH: SEE NOTES	MATERIAL:		SIZE SCALE: DWG. NO. REV. D NONE 990-291-00 A
	MFG:		
DO NOT SCALE DRAWING	MFG ENG:		DWG. NO. 990-291-00
	ISSUED:		SHEET 1 OF 4



D  
C  
B  
A

D  
C  
B  
A



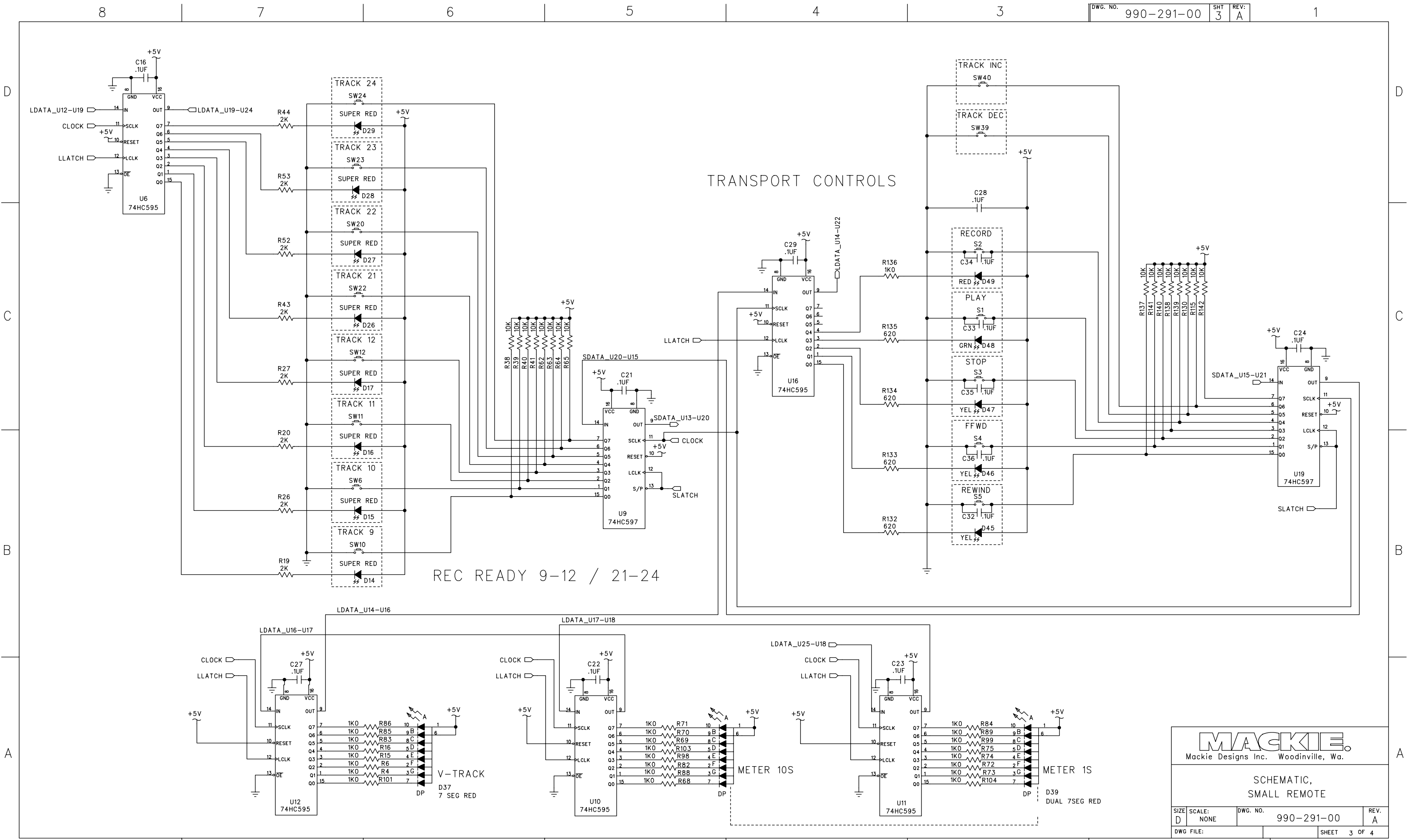
REC READY 1-4 / 13-16

REC READY 5-8 / 17-20

**MACKIE**  
Mackie Designs Inc. Woodinville, Wa.

SCHMATIC,  
SMALL REMOTE

SIZE: D	SCALE: NONE	DWG. NO.: 990-291-00	REV.: A
DWG FILE:		SHEET 2 OF 4	

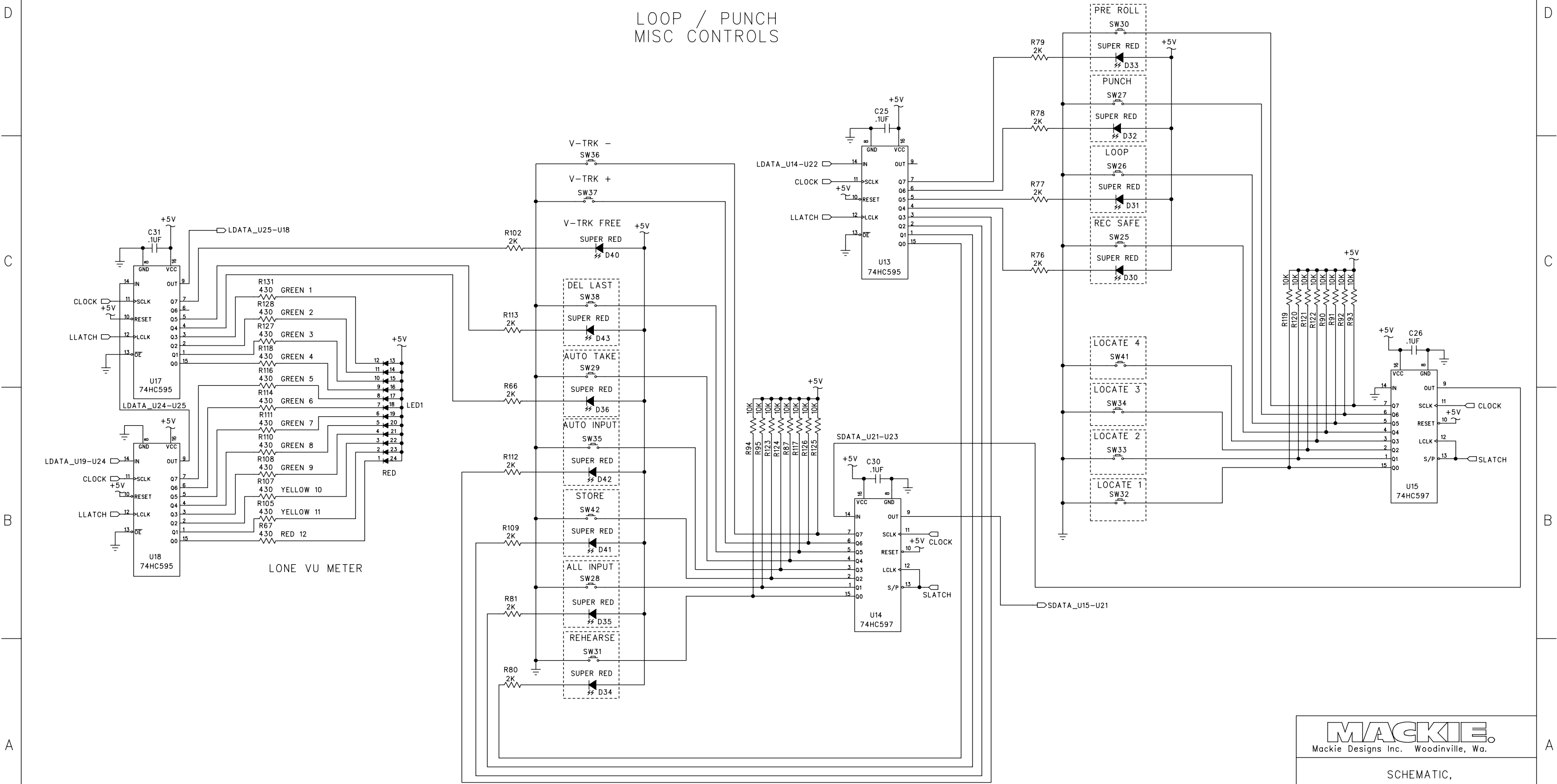


**MACKIE**  
Mackie Designs Inc. Woodinville, Wa.

SCHMATIC,  
SMALL REMOTE

SIZE: D	SCALE: NONE	DWG. NO. 990-291-00	REV. A
DWG FILE:		SHEET 3 OF 4	

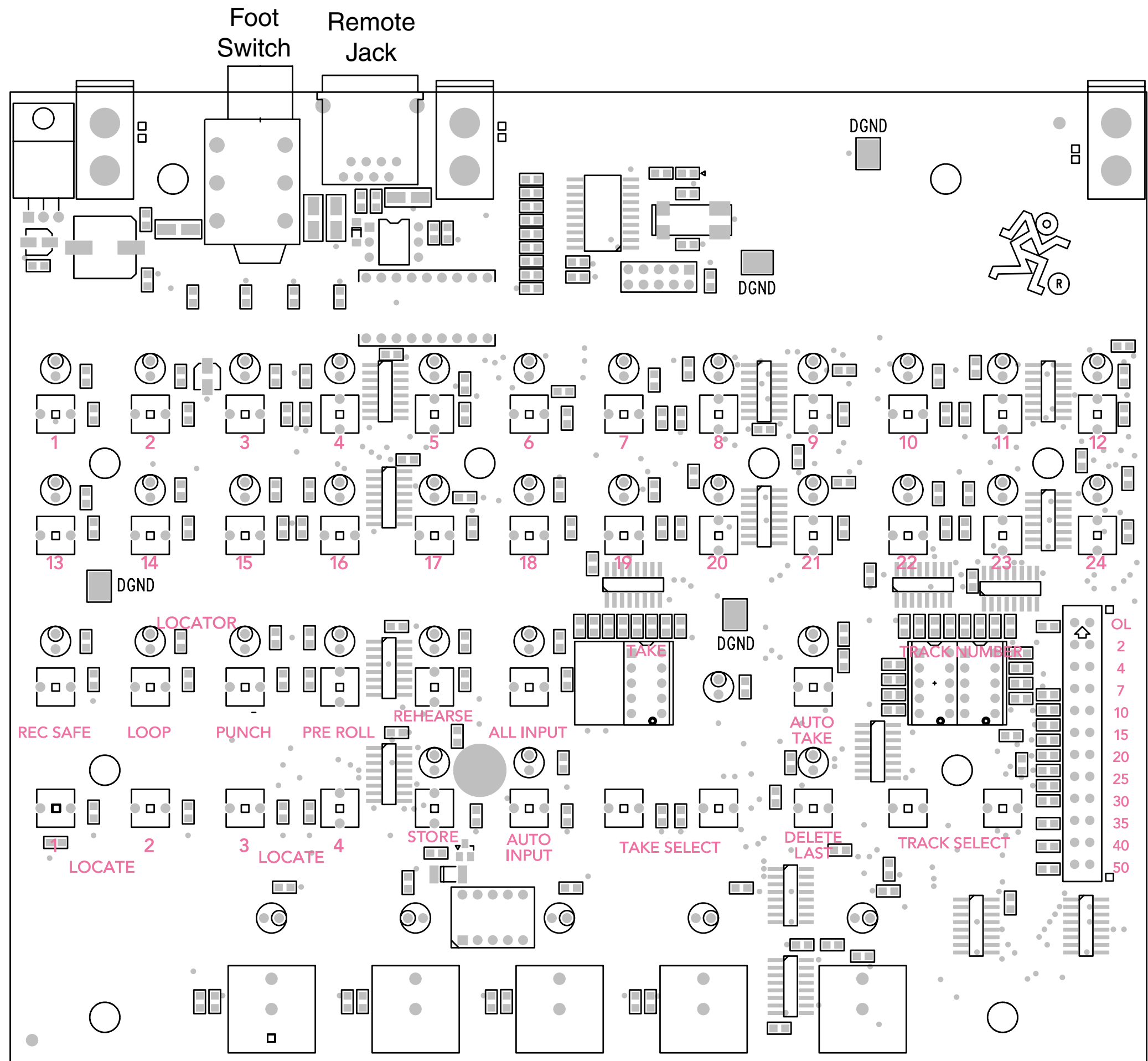
LOOP / PUNCH  
MISC CONTROLS

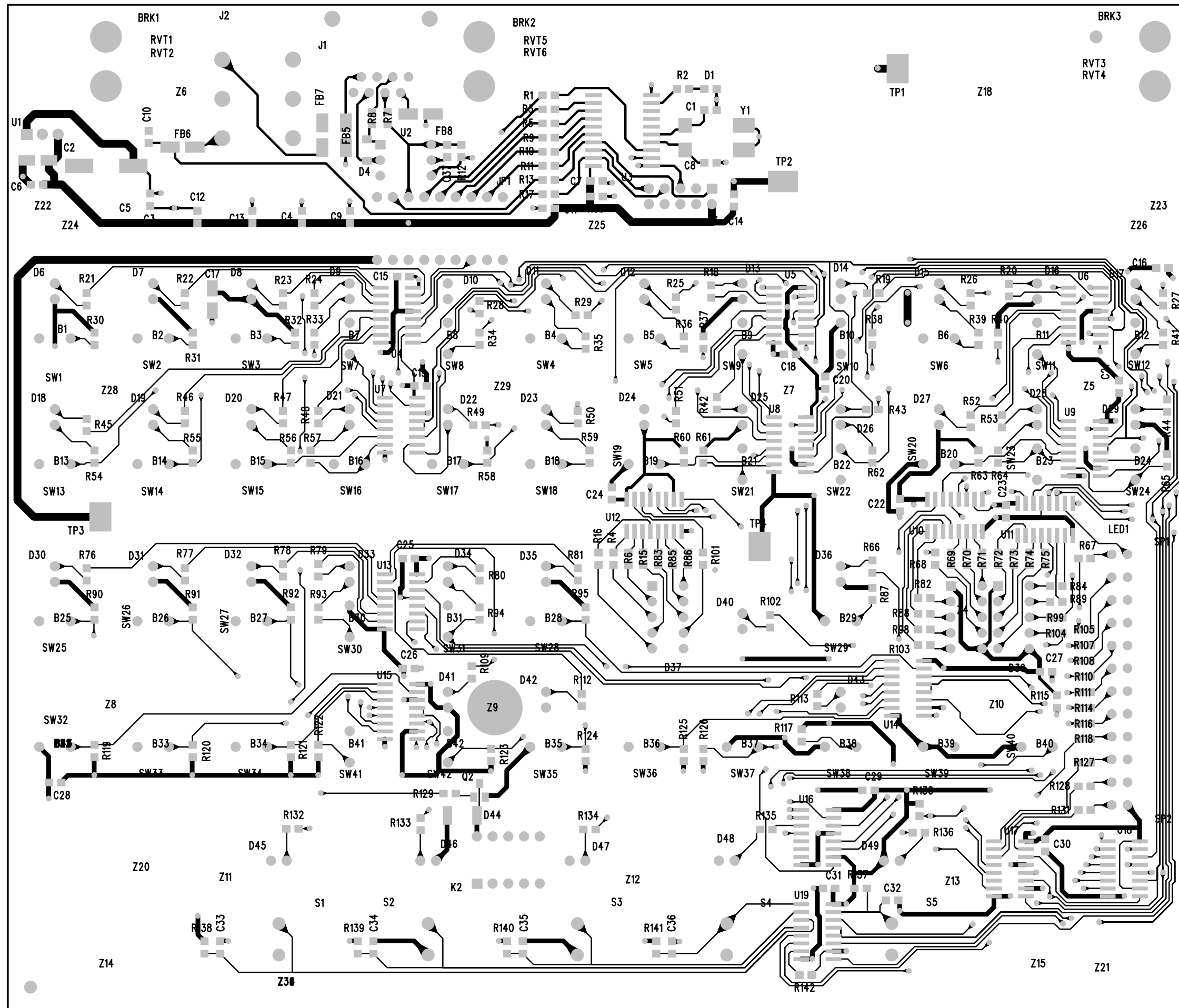


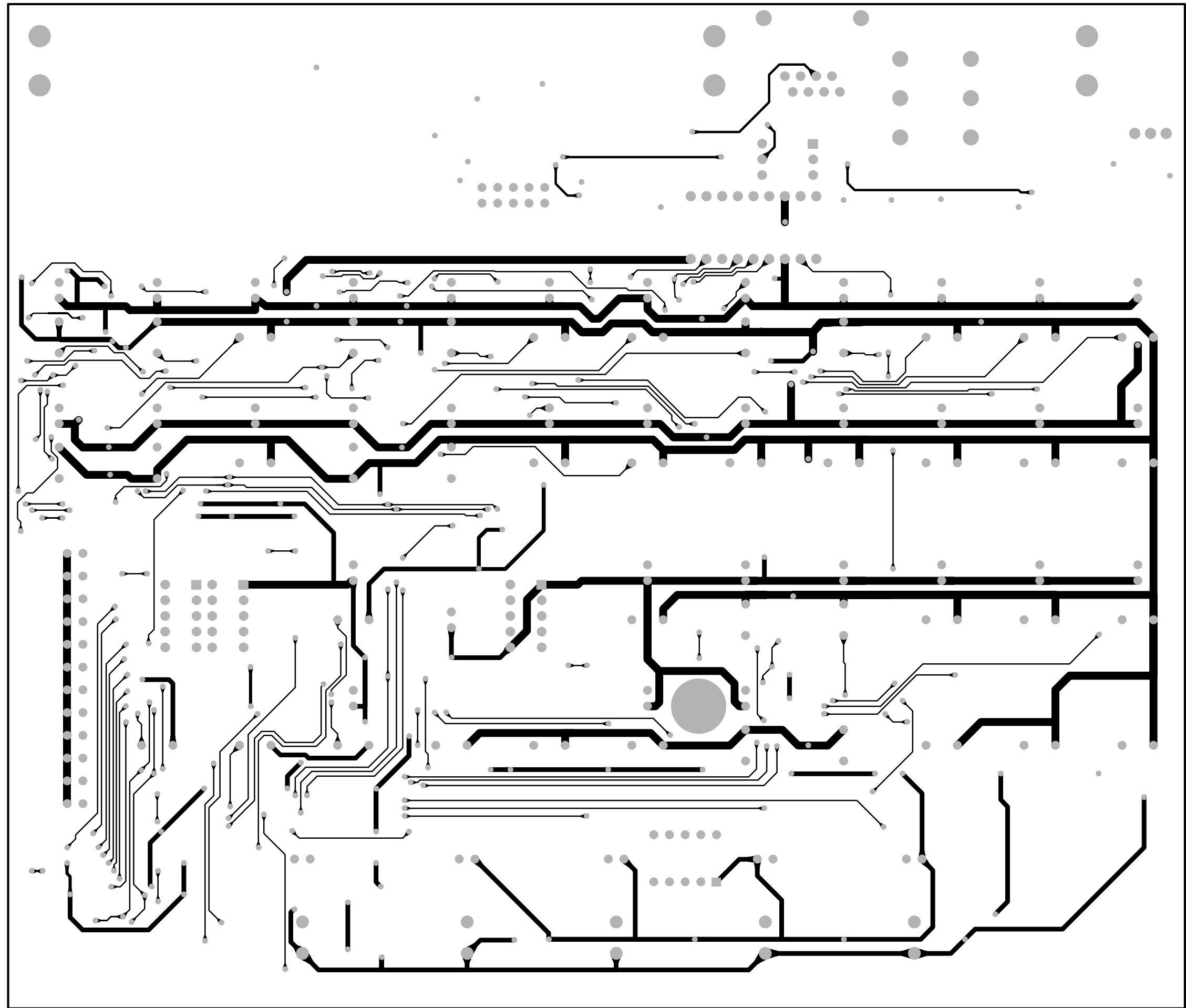
**MACKIE**  
Mackie Designs Inc. Woodinville, Wa.

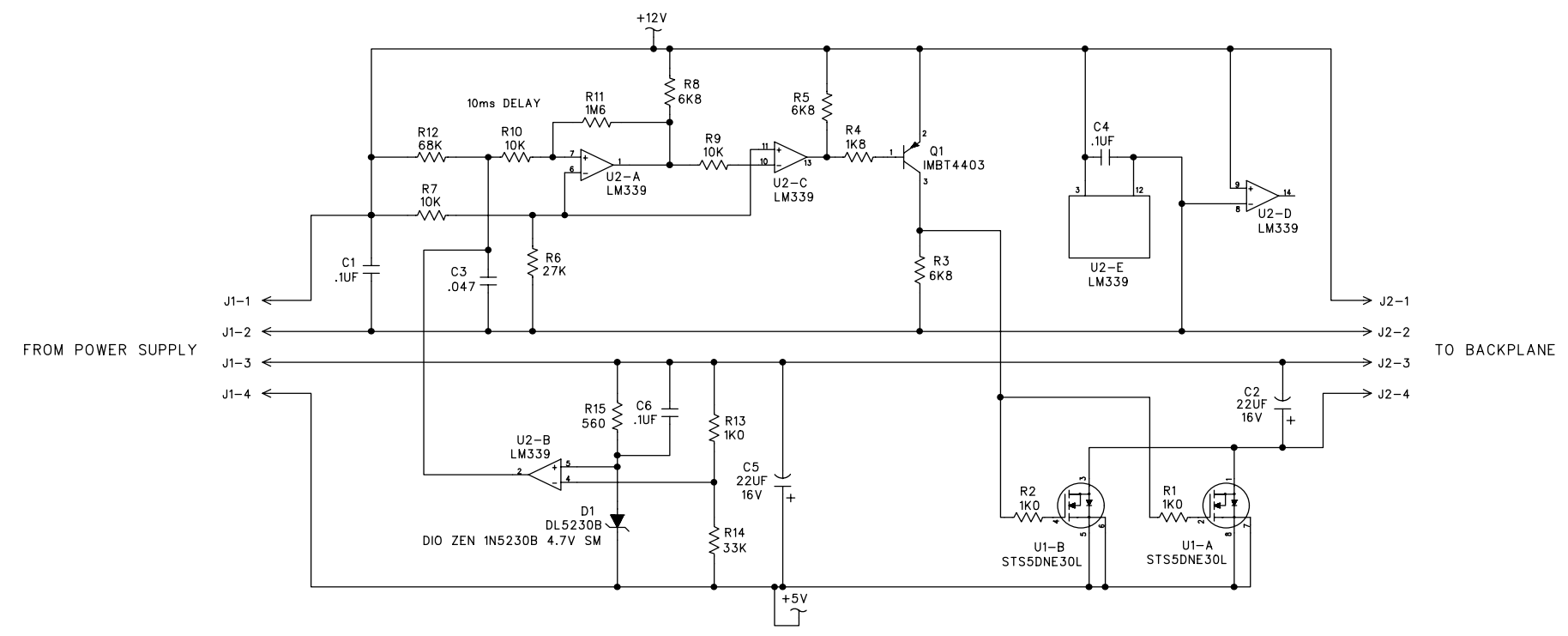
SCHMATIC,  
SMALL REMOTE

SIZE: D	SCALE: NONE	DWG. NO.: 990-291-00	REV.: A
DWG FILE:		SHEET 4 OF 4	










Z4 450-359-00  
PCB, HDR179 POSTSTAMP

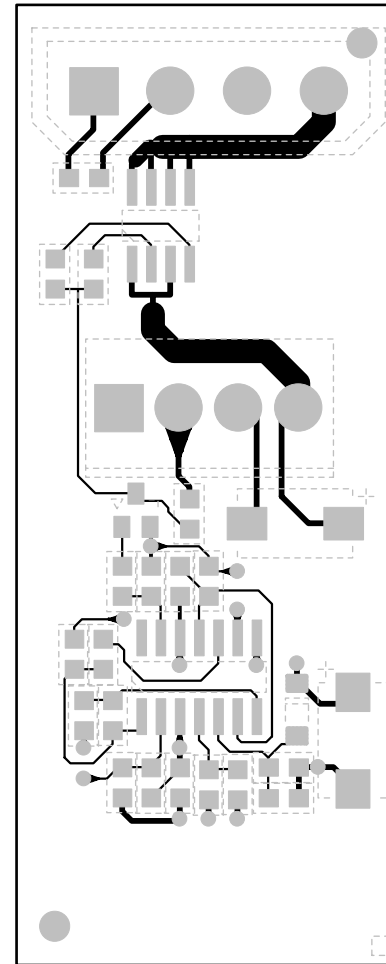
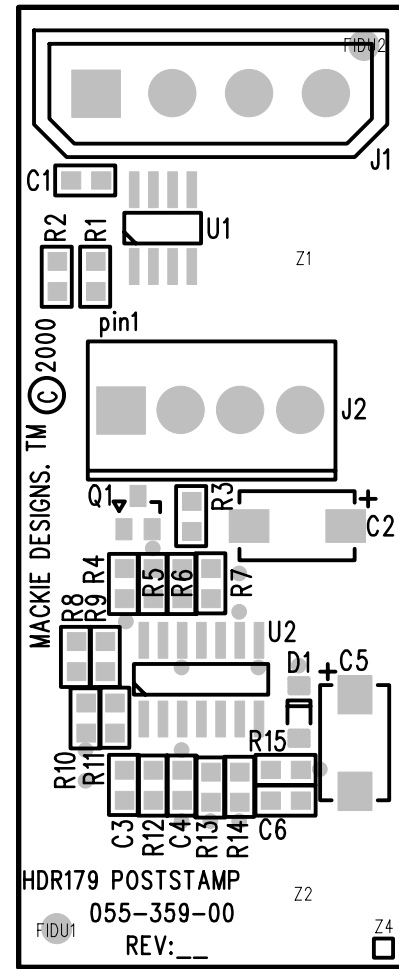
© 2000 MACKIE DESIGNS INC.  
ALL RIGHTS RESERVED  
THE INFORMATION CONTAINED HEREIN  
IS PROPRIETARY AND CONFIDENTIAL  
PROPERTY OF MACKIE DESIGNS INC.

APPROVALS		DATE
DRAWN:	JAY T.	8-1-00
CHECKED:		
NP ENG:		
MATERIAL:		
MFG:		
MFG ENG:		
ISSUED:		

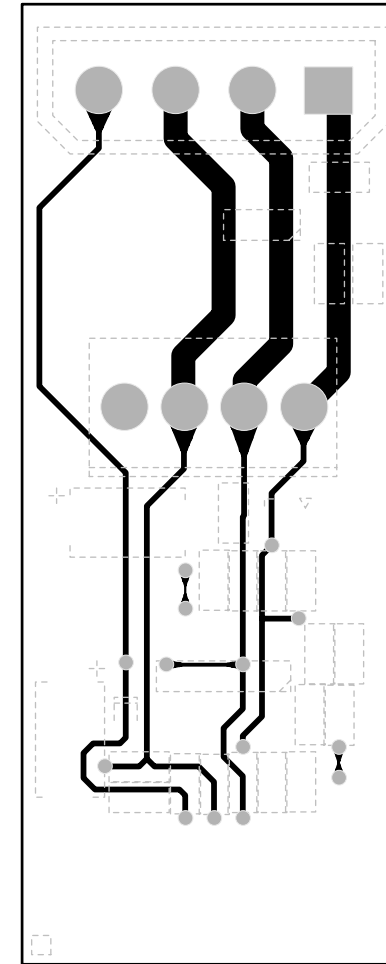


Mackie Designs Inc. Woodinville, Wa.

SCHEMATIC, HDR179 POSTSTAMP	
SIZE: D	SCALE: NONE
DWG. NO. 990-359-00	REV. A
DWG FILE:	SHEET 1 OF 1



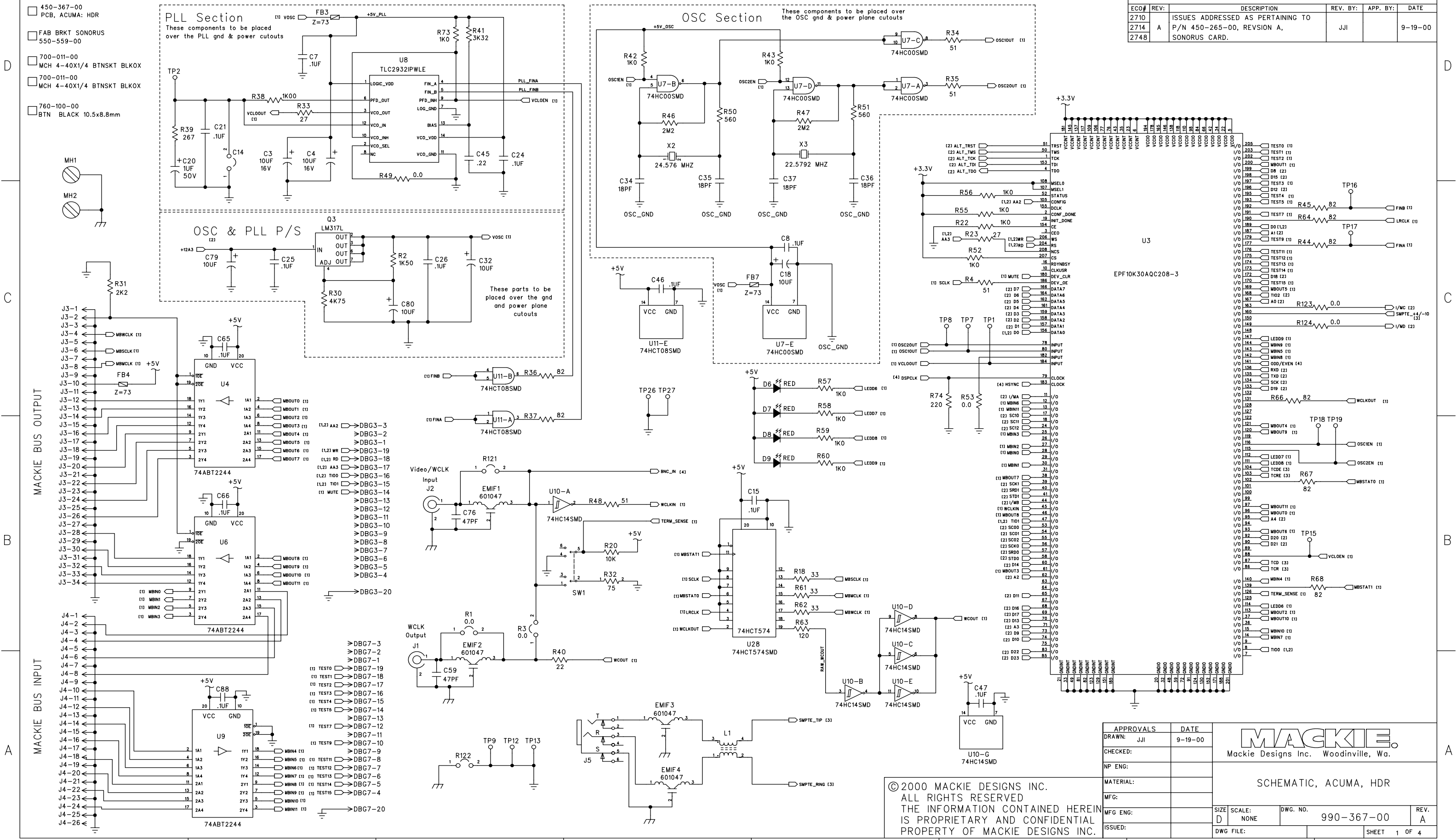
Top Traces



Bottom Traces



ECO#	REV:	DESCRIPTION	REV. BY:	APP. BY:	DATE
2710	A	ISSUES ADDRESSED AS PERTAINING TO	JJI		9-19-00
2714		P/N 450-265-00, REVISION A,			
2748		SONORUS CARD.			



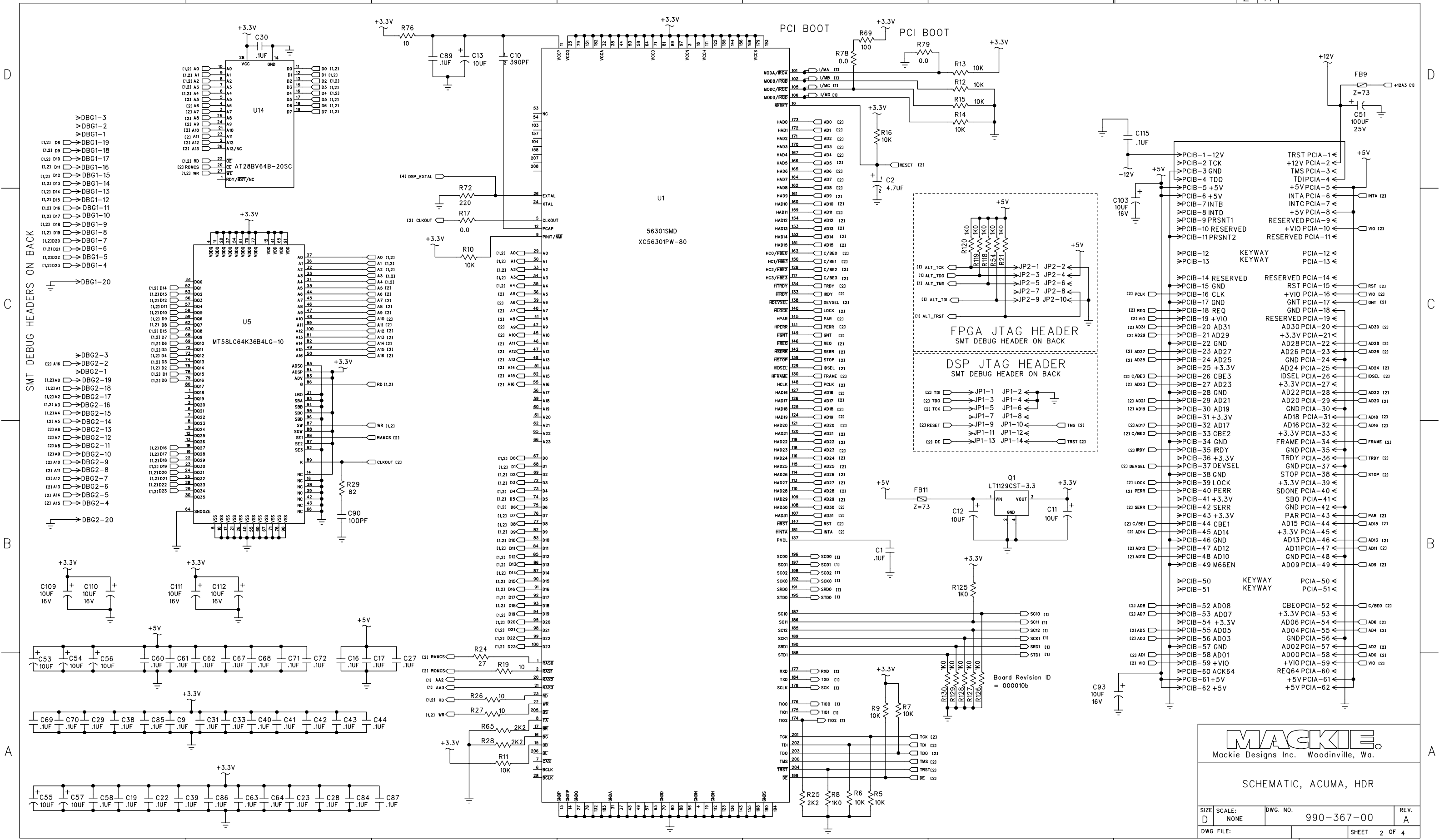
APPROVALS		DATE
DRAWN:	JJI	9-19-00
CHECKED:		
NP ENG:		
MATERIAL:		
MFG:		
MFG ENG:		
ISSUED:		

**MACKIE**  
Mackie Designs Inc. Woodinville, Wa.

SCHEMATIC, ACUMA, HDR

SIZE	SCALE:	DWG. NO.	REV.
D	NONE	990-367-00	A
DWG FILE:			SHEET 1 OF 4

© 2000 MACKIE DESIGNS INC.  
ALL RIGHTS RESERVED  
THE INFORMATION CONTAINED HEREIN  
IS PROPRIETARY AND CONFIDENTIAL  
PROPERTY OF MACKIE DESIGNS INC.

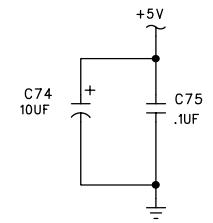
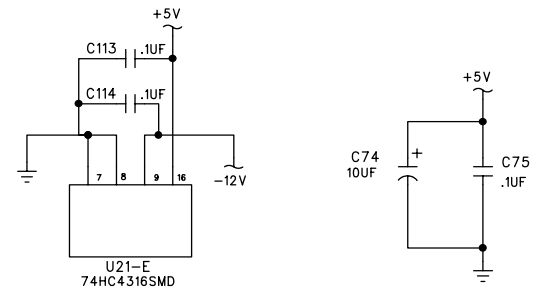
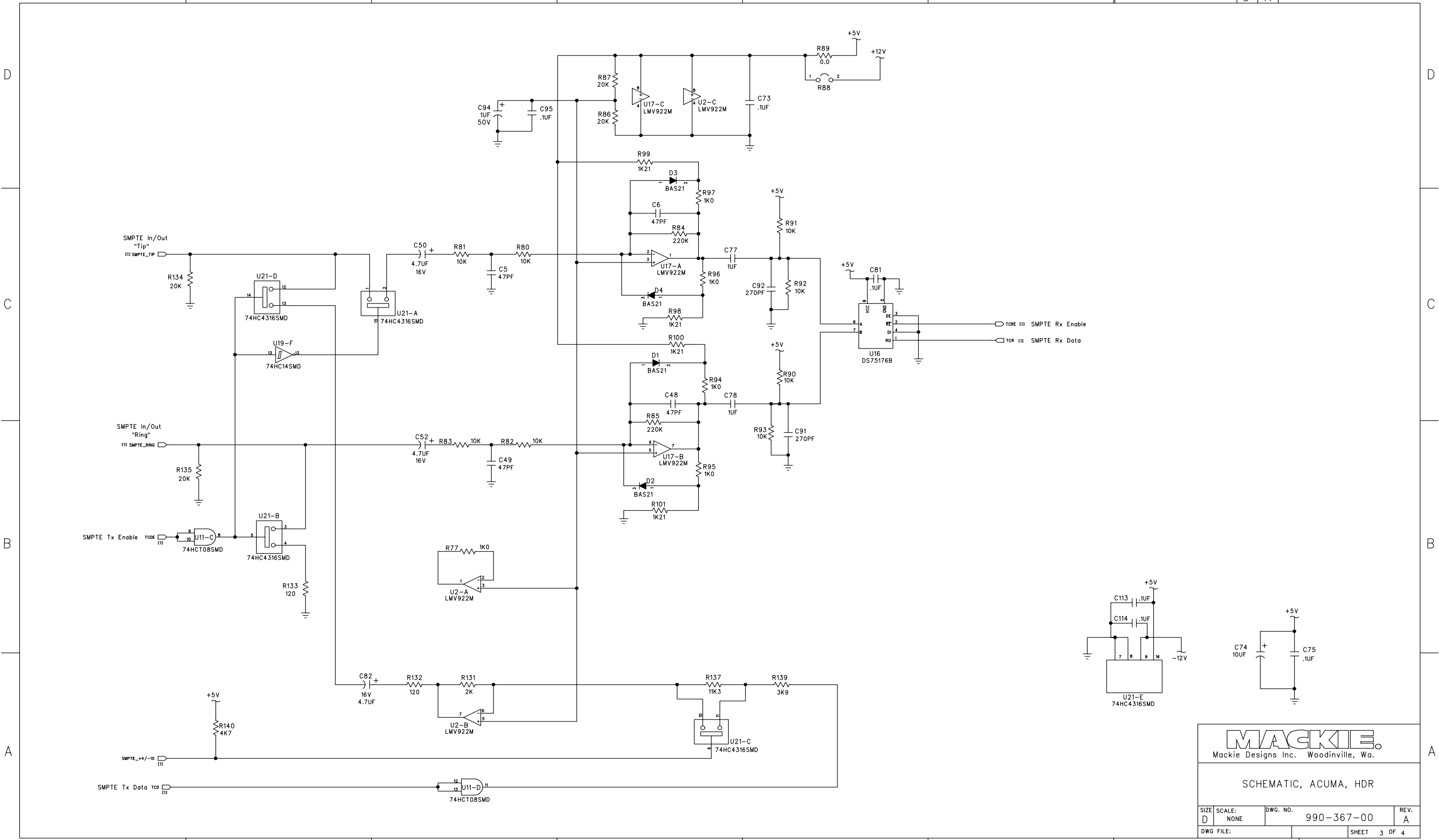


SMT DEBUG HEADERS ON BACK

**MACKIE**  
Mackie Designs Inc. Woodinville, Wa.

SCHEMATIC, ACUMA, HDR

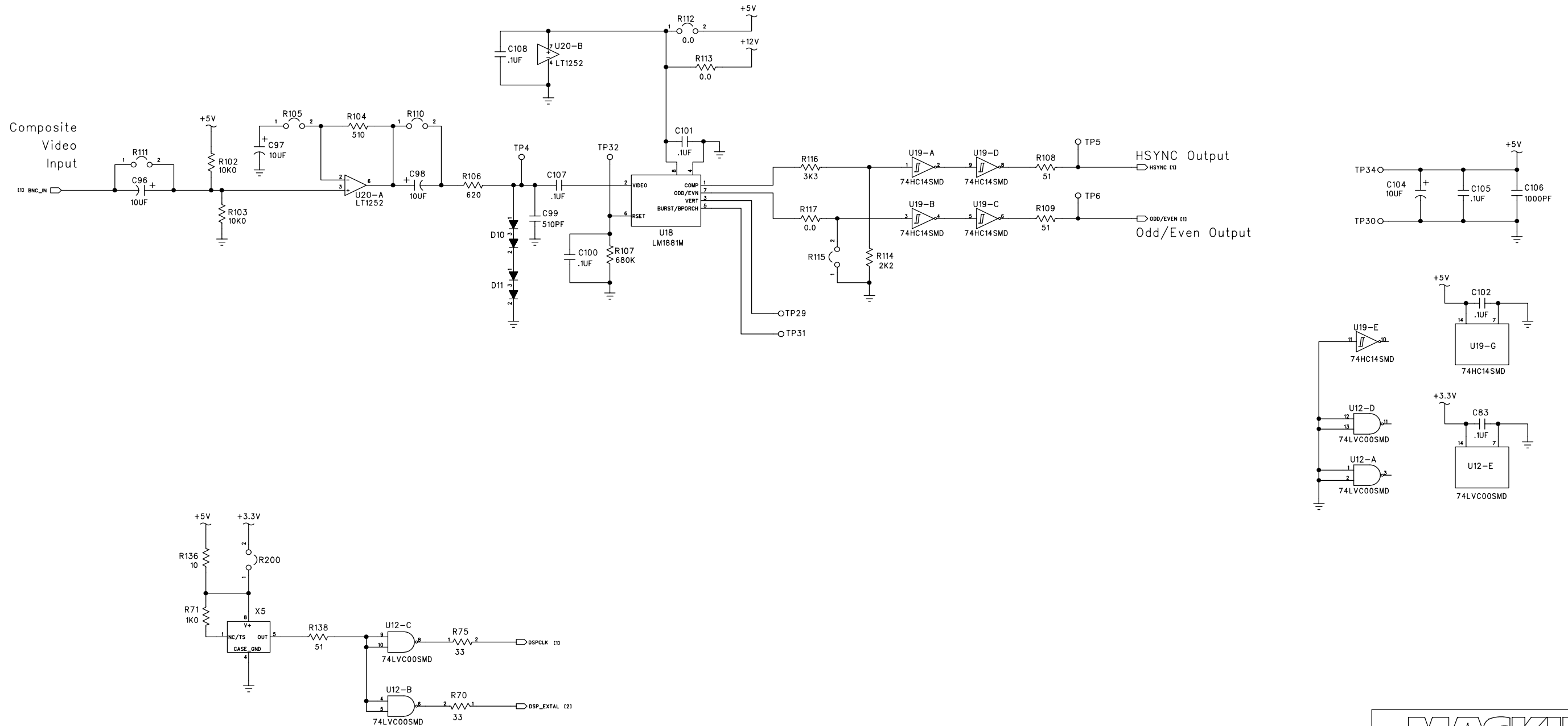
SIZE: D	SCALE: NONE	DWG. NO. 990-367-00	REV. A
DWG FILE:		SHEET 2 OF 4	



**MACKIE**  
Mackie Designs Inc. Woodinville, Wa.

SCHEMATIC, ACUMA, HDR

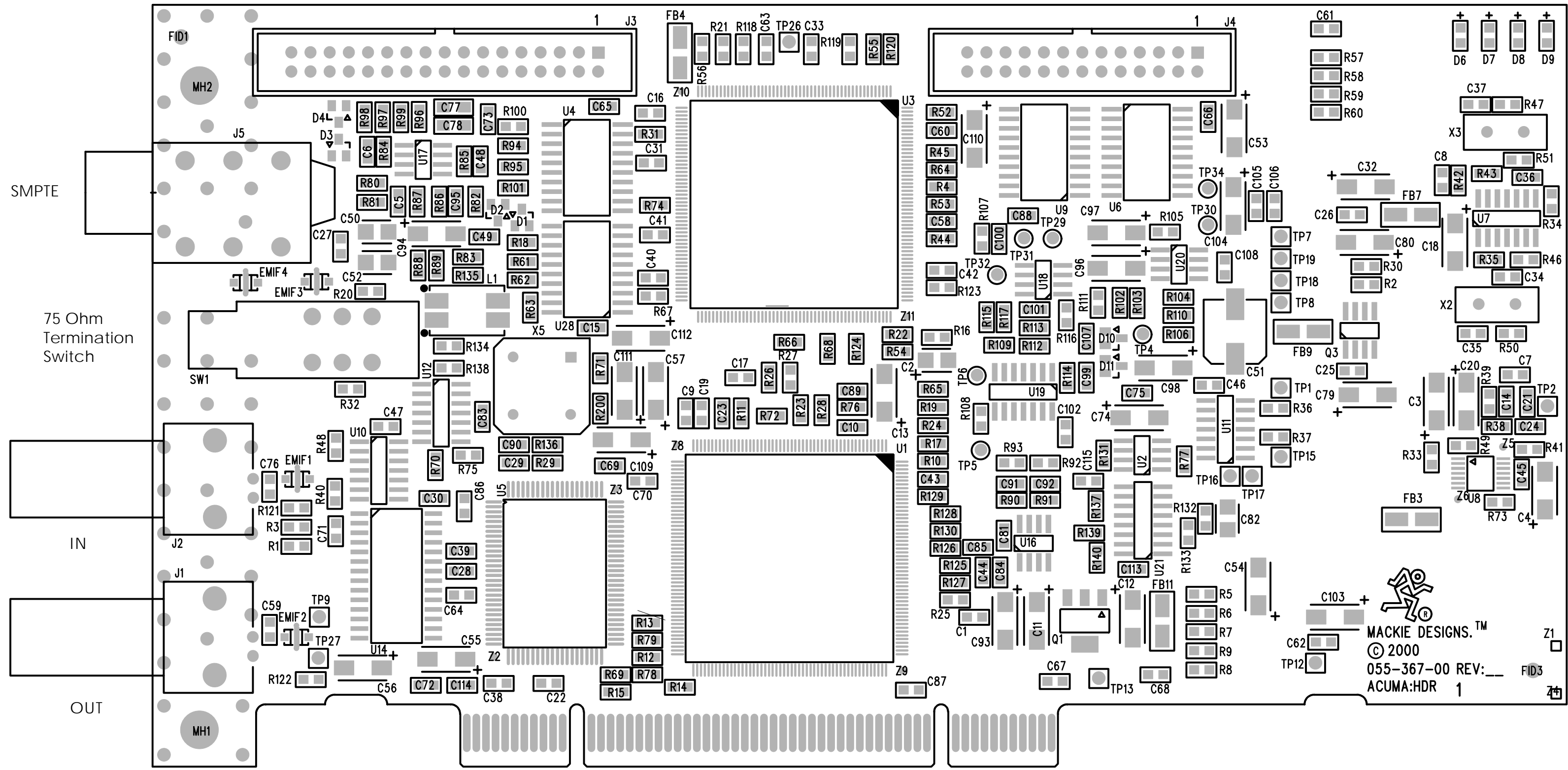
SIZE: D	SCALE: NONE	DWG. NO.: 990-367-00	REV.: A
DWG. FILE:		SHEET 3 OF 4	



**MACKIE**  
Mackie Designs Inc. Woodinville, Wa.

SCHEMATIC, ACUMA, HDR

SIZE D	SCALE: NONE	DWG. NO. 990-367-00	REV. A
DWG FILE:		SHEET 4 OF 4	



SMPT


75 Ohm  
Termination  
Switch

IN

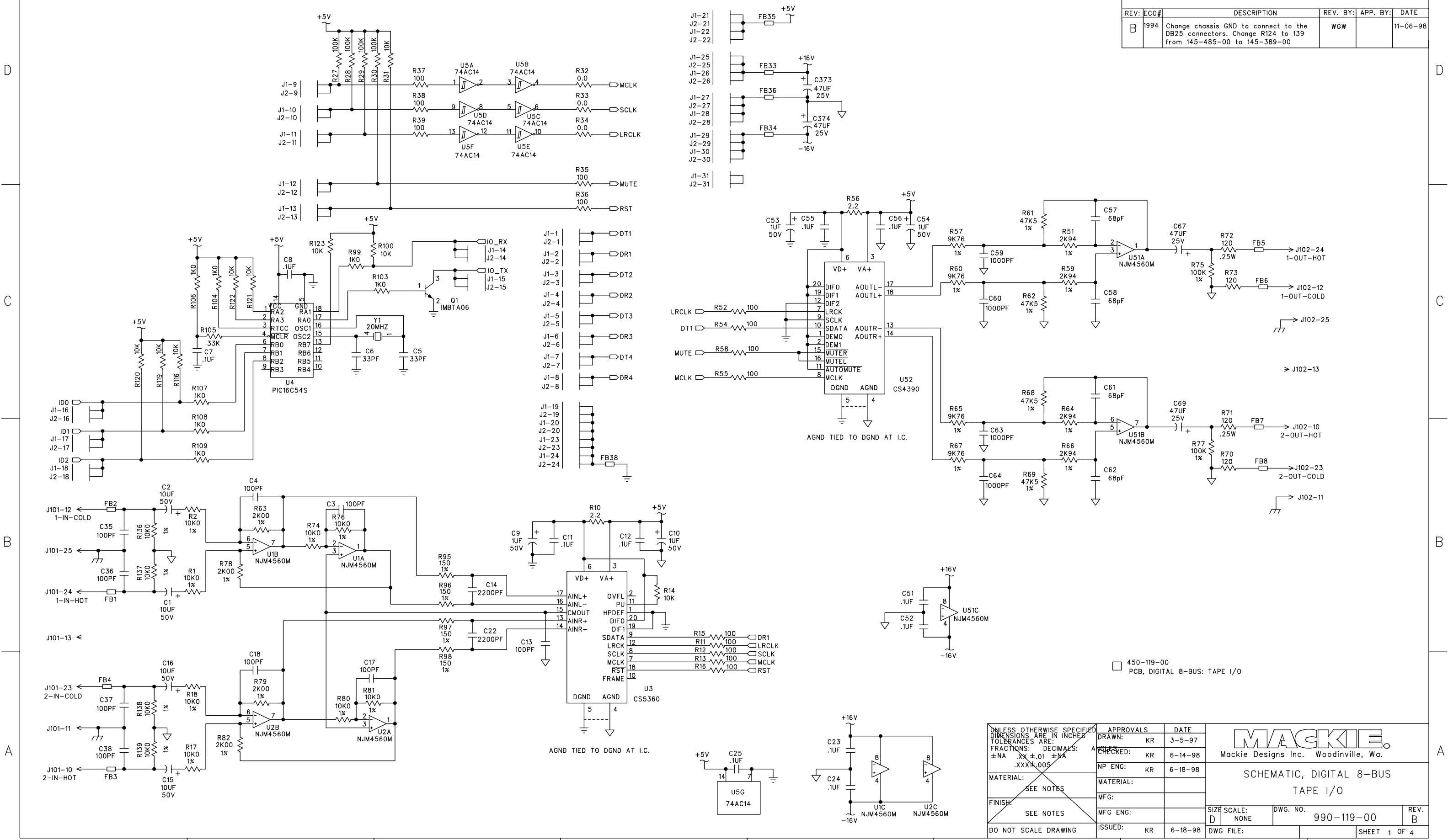
OUT

PCI  
Bus connector

NOTE  
This is a multi-layered board

  
MACKIE DESIGNS.™  
© 2000  
055-367-00 REV:\_\_\_  
ACUMA:HDR 1

REV.	ECO#	DESCRIPTION	REV. BY:	APP. BY:	DATE
B	1994	Change chassis GND to connect to the DB25 connectors. Change R124 to 139 from 145-485-00 to 145-389-00	WGW		11-06-98



450-119-00 PCB, DIGITAL 8-BUS: TAPE I/O

UNLESS OTHERWISE SPECIFIED DIMENSIONS ARE IN INCHES TOLERANCES ARE:		APPROVALS		DATE
FRACTIONS:	DECIMALS:	DRAWN:	KR	3-5-97
±NA	.XX ±.01 ±MA	CHECKED:	KR	6-14-98
	.XXX ±.005	NP ENG:	KR	6-18-98
MATERIAL:	SEE NOTES	MATERIAL:		
FINISH:	SEE NOTES	MFG:		
DO NOT SCALE DRAWING		MFG ENG:		
		ISSUED:	KR	6-18-98

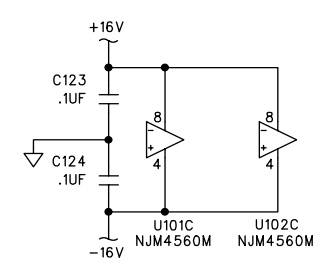
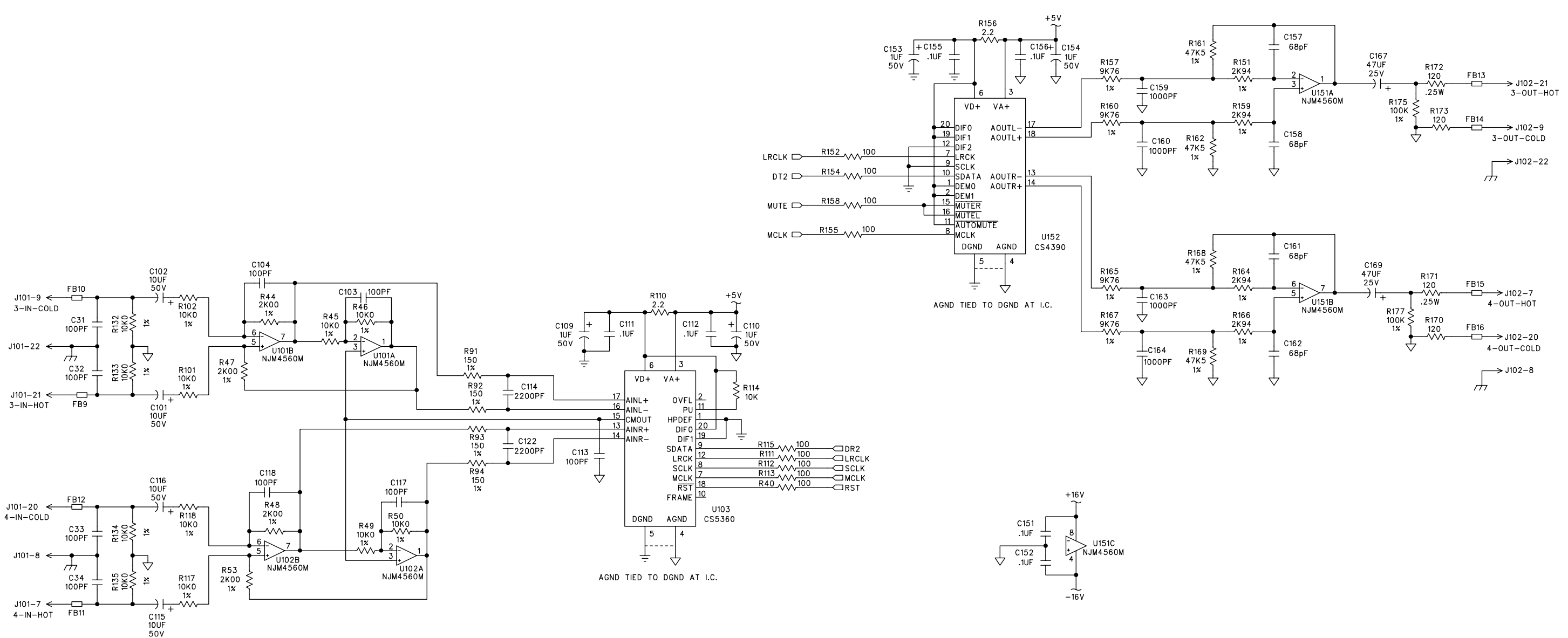
**MACKIE**  
Mackie Designs Inc. Woodinville, Wa.

SCHMATIC, DIGITAL 8-BUS TAPE I/O

SIZE SCALE:	DWG. NO.	REV.
D NONE	990-119-00	B
DWG FILE:	SHEET 1 OF 4	

D  
C  
B  
A

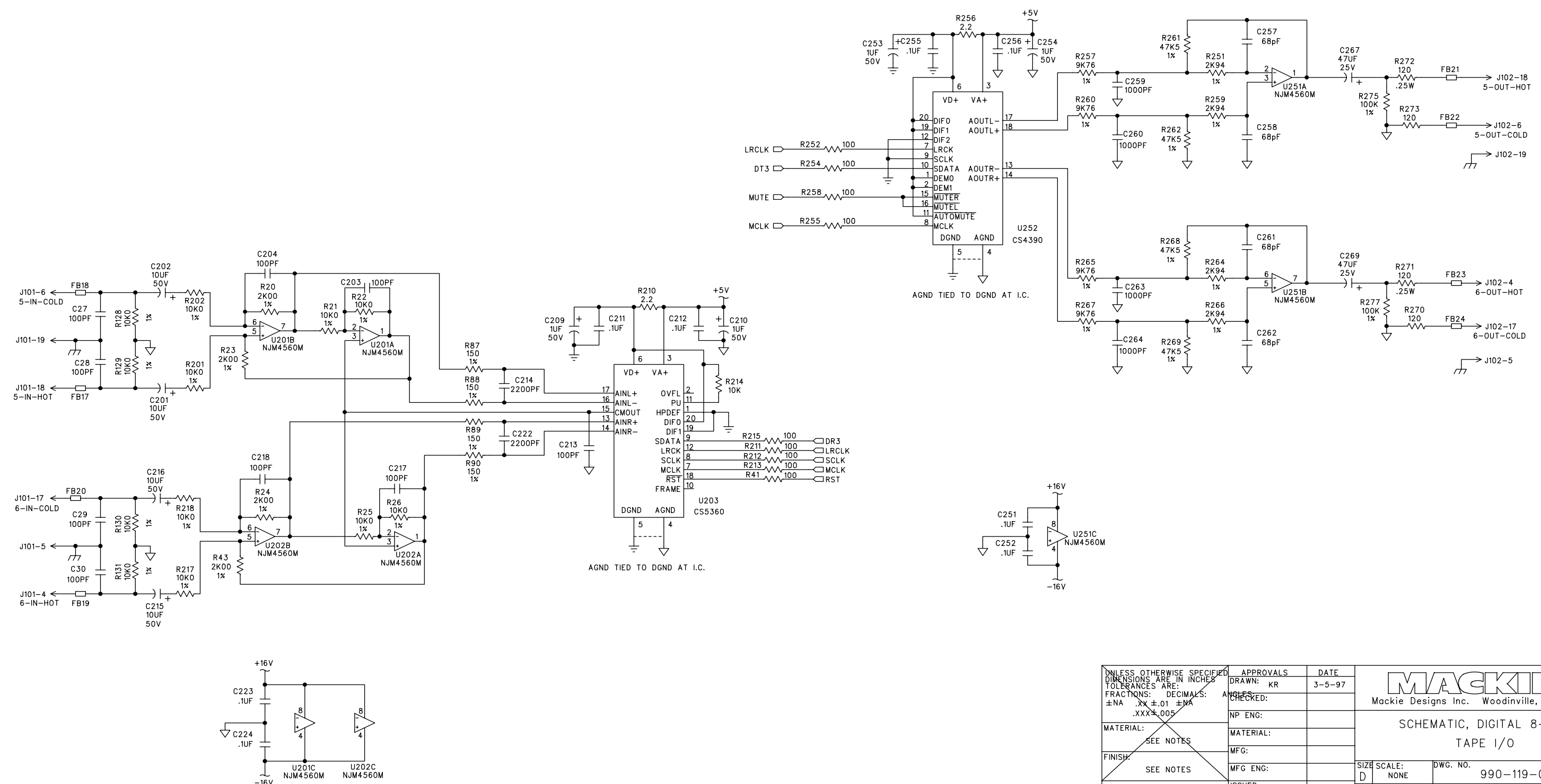
D  
C  
B  
A



UNLESS OTHERWISE SPECIFIED DIMENSIONS ARE IN INCHES TOLERANCES ARE: FRACTIONS: DECIMALS: ANGLES: ±NA .XX ±.01 ±MA .XXX ±.005	APPROVALS	DATE
	DRAWN: KR	3-5-97
MATERIAL: SEE NOTES	MATERIAL:	
	MFG:	
FINISH: SEE NOTES	MFG ENG:	
	ISSUED:	
DO NOT SCALE DRAWING		

<b>MACKIE</b> Mackie Designs Inc. Woodinville, Wa.	
SCHEMATIC, DIGITAL 8-BUS TAPE I/O	
SIZE: D	SCALE: NONE
DWG. NO. 990-119-00	REV. B
DWG FILE:	SHEET 2 OF 4

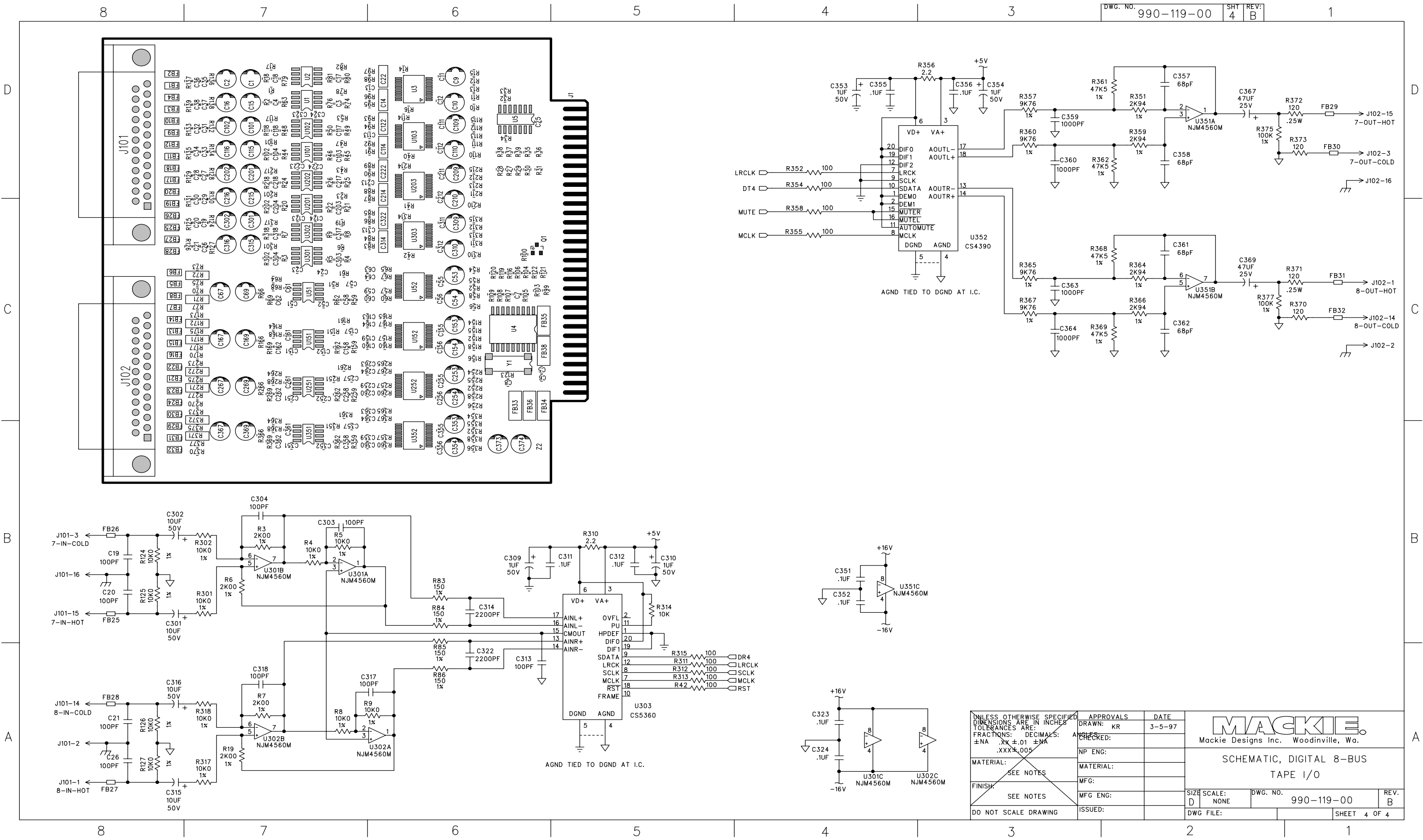
D  
C  
B  
A



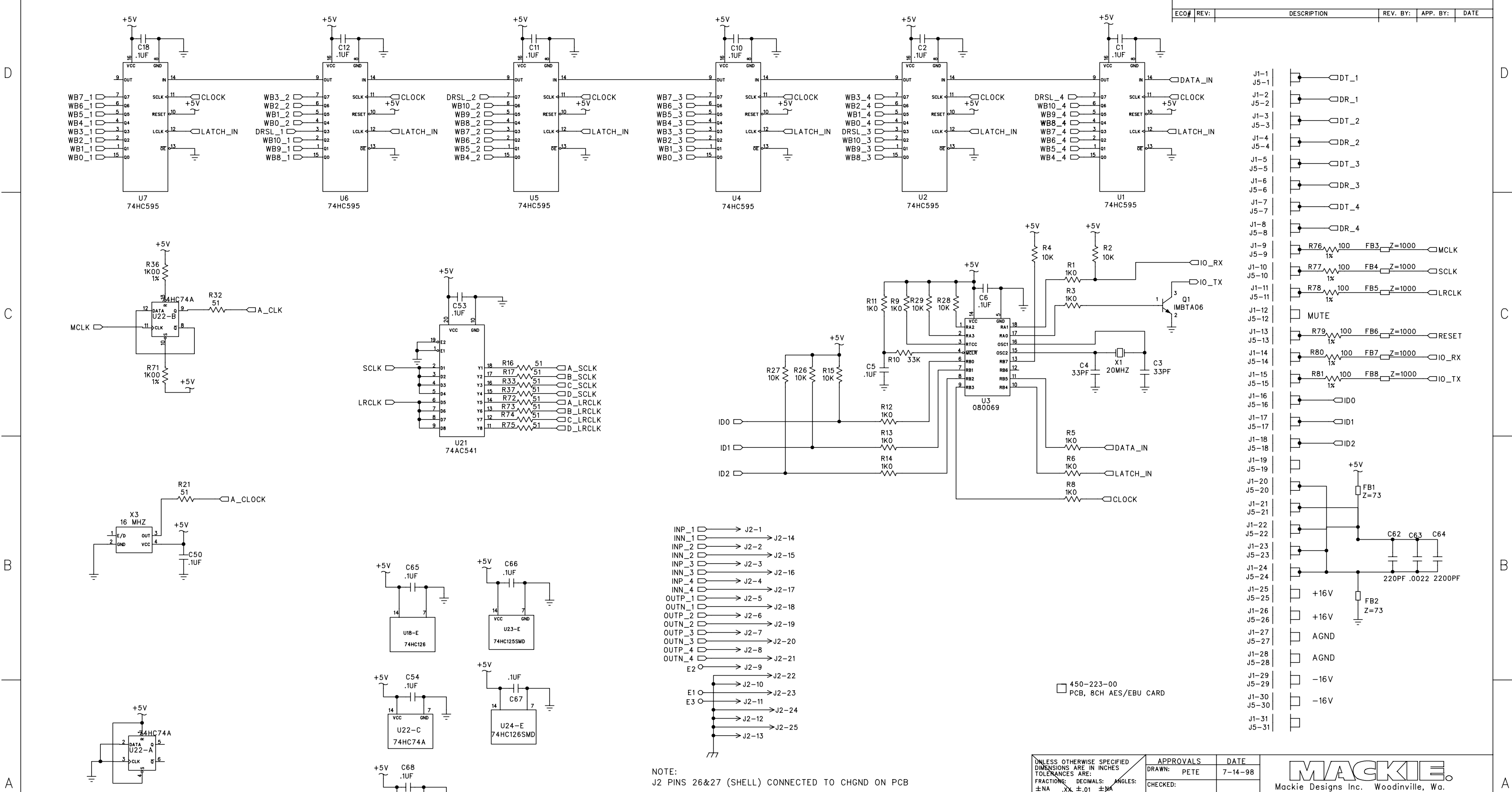
UNLESS OTHERWISE SPECIFIED DIMENSIONS ARE IN INCHES TOLERANCES ARE: FRACTIONS: DECIMALS: ±NA .XX ±.01 ±MA .XXX ±.005	APPROVALS DRAWN: KR CHECKED: NP ENG:	DATE 3-5-97
MATERIAL: SEE NOTES	MATERIAL: MFG:	
FINISH: SEE NOTES	MFG ENG:	
DO NOT SCALE DRAWING	ISSUED:	

<b>MACKIE</b> Mackie Designs Inc. Woodinville, Wa.	
SCHEMATIC, DIGITAL 8-BUS TAPE I/O	
SIZE: D	SCALE: NONE
DWG. NO. 990-119-00	REV. B
DWG FILE:	SHEET 3 OF 4



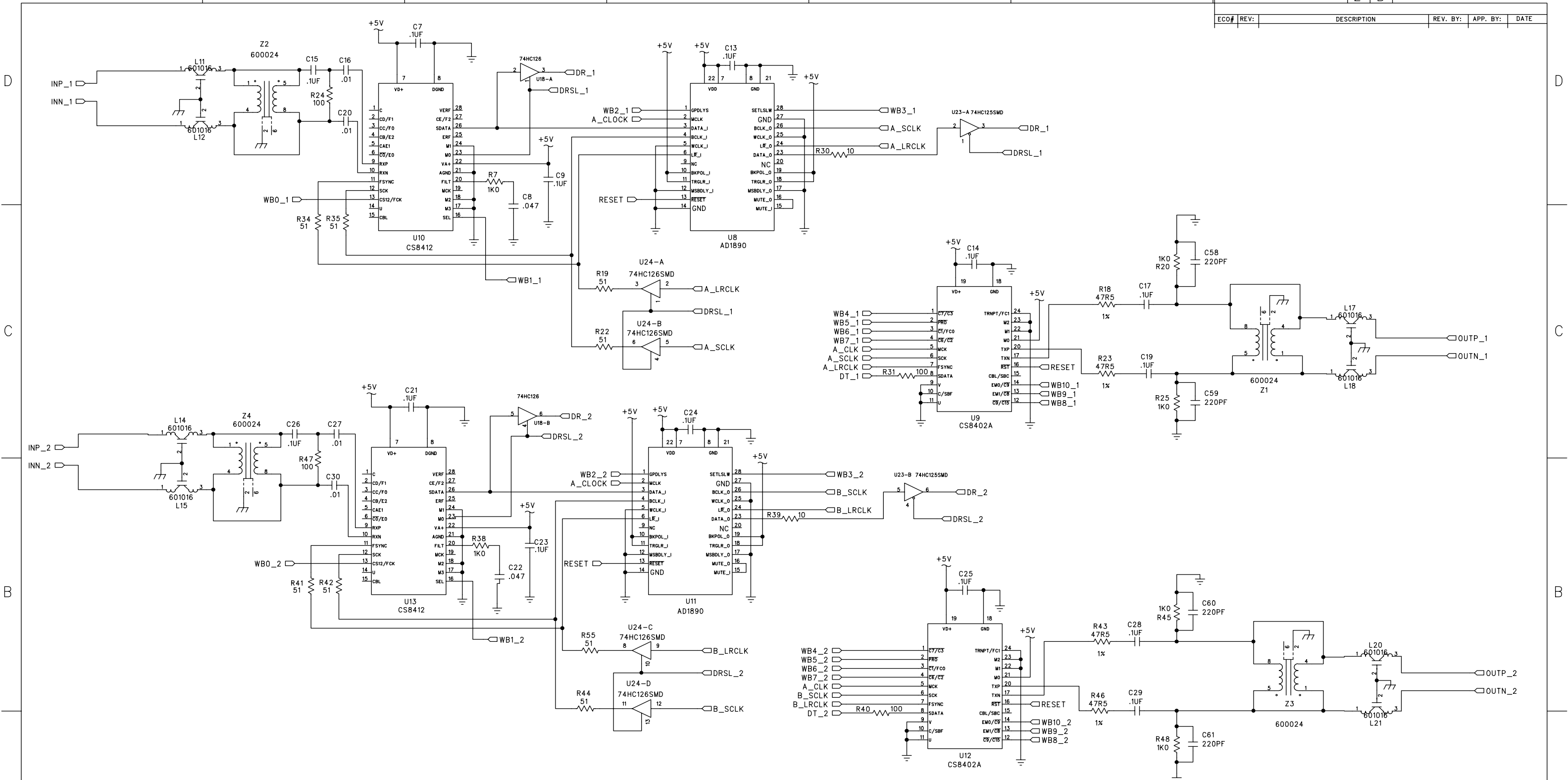


UNLESS OTHERWISE SPECIFIED DIMENSIONS ARE IN INCHES TOLERANCES ARE: FRACTIONS: DECIMALS: ANGLES: ±.NA .XX ±.01 ±NA .XXX ±.005	APPROVALS	DATE	<b>MACKIE</b> Mackie Designs Inc. Woodinville, Wa.
	DRAWN: KR	3-5-97	
MATERIAL:	MATERIAL:	MFG:	SCHEMATIC, DIGITAL 8-BUS TAPE I/O
SEE NOTES	MFG ENG:	ISSUED:	
FINISH:	DO NOT SCALE DRAWING	SIZE SCALE: D NONE	DWG. NO. 990-119-00
			REV. B
			SHEET 4 OF 4

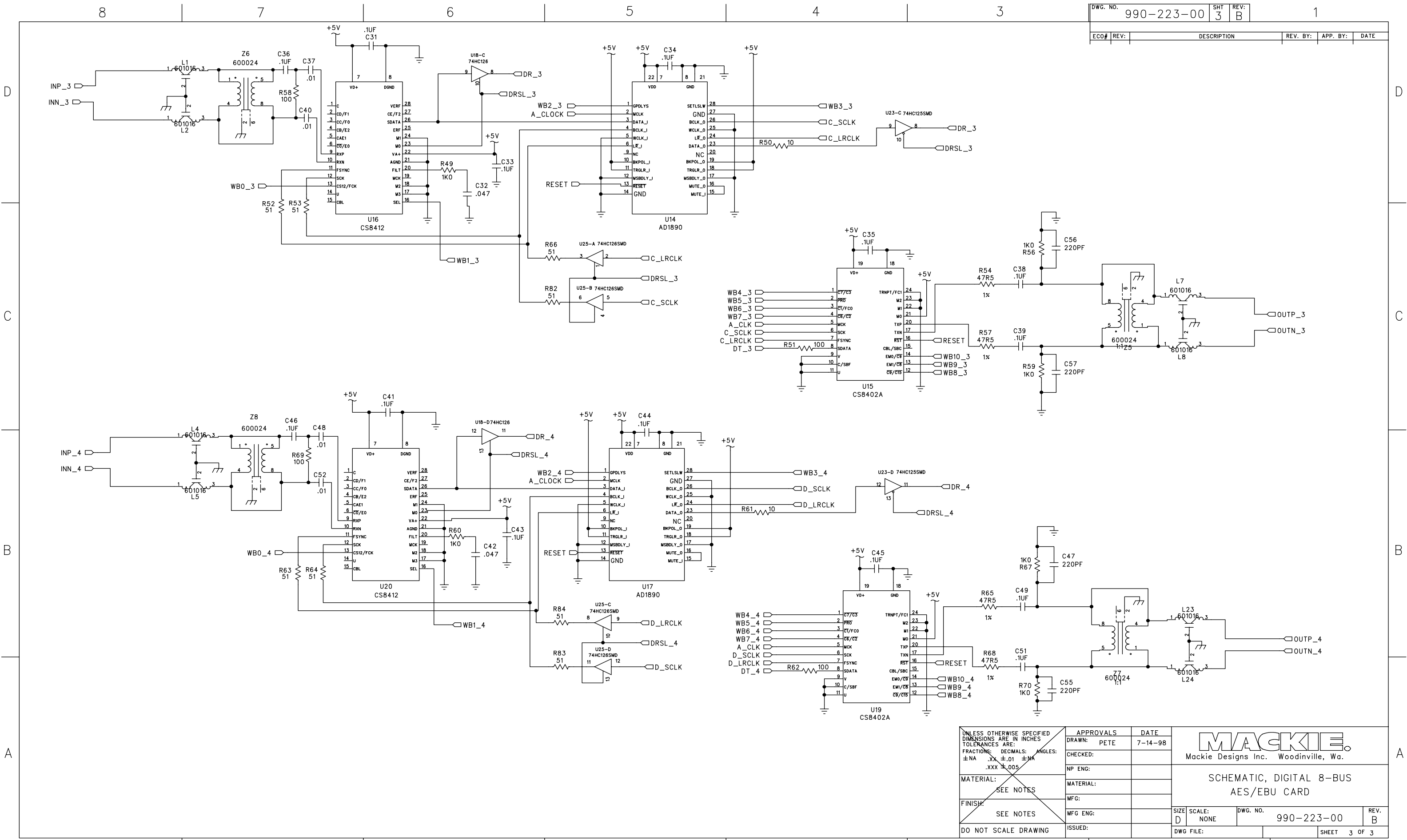


ECO#	REV:	DESCRIPTION	REV. BY:	APP. BY:	DATE
		J1-1			DT_1
		J5-1			DR_1
		J1-2			DT_2
		J5-2			DR_2
		J1-3			DT_3
		J5-3			DR_3
		J1-4			DT_4
		J5-4			DR_4
		J1-5			DT_3
		J5-5			
		J1-6			
		J5-6			
		J1-7			
		J5-7			
		J1-8			
		J5-8			
		J1-9	R76	100	FB3 Z=1000 MCLK
		J5-9			
		J1-10	R77	100	FB4 Z=1000 SCLK
		J5-10			
		J1-11	R78	100	FB5 Z=1000 LRCLK
		J5-11			
		J1-12			MUTE
		J5-12			
		J1-13	R79	100	FB6 Z=1000 RESET
		J5-13			
		J1-14	R80	100	FB7 Z=1000 IO_RX
		J5-14			
		J1-15	R81	100	FB8 Z=1000 IO_TX
		J5-15			
		J1-16			ID0
		J5-16			
		J1-17			ID1
		J5-17			
		J1-18			ID2
		J5-18			
		J1-19			
		J5-19			
		J1-20			
		J5-20			
		J1-21			
		J5-21			
		J1-22			
		J5-22			
		J1-23			
		J5-23			
		J1-24			
		J5-24			
		J1-25			+16V
		J5-25			
		J1-26			+16V
		J5-26			
		J1-27			AGND
		J5-27			
		J1-28			AGND
		J5-28			
		J1-29			-16V
		J5-29			
		J1-30			-16V
		J5-30			
		J1-31			
		J5-31			

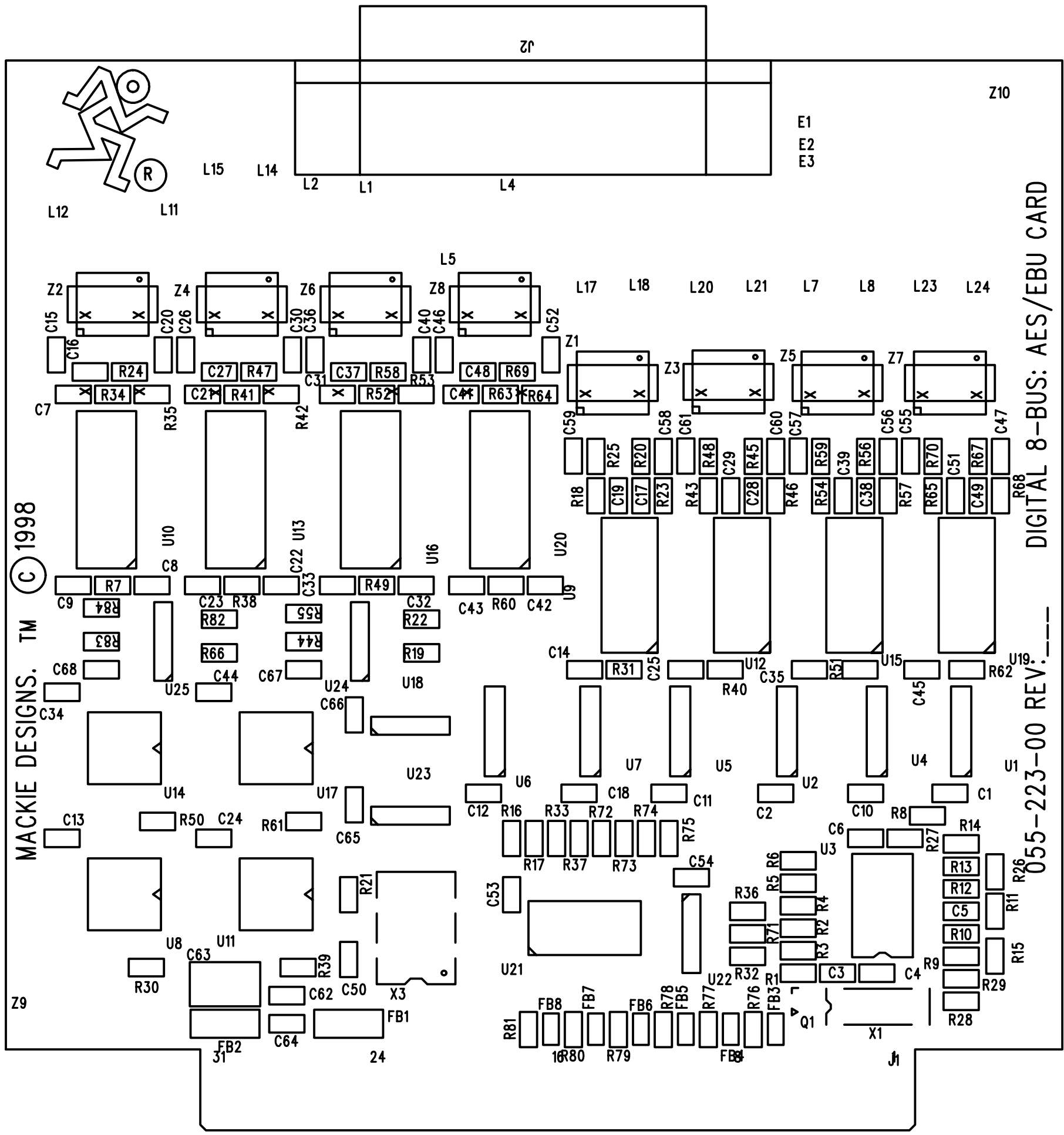
UNLESS OTHERWISE SPECIFIED DIMENSIONS ARE IN INCHES TOLERANCES ARE: FRACTIONS: DECIMALS: ANGLES: ±NA .XX ±.01 ±NA .XXX ±.005	APPROVALS	DATE	 Mackie Designs Inc. Woodinville, Wa.  SCHEMATIC, DIGITAL 8-BUS 8 CH. AES/EBU CARD
	DRAWN: PETE	7-14-98	
	CHECKED:		
	NP ENG:		
MATERIAL:	MATERIAL:		SIZE D SCALE: NONE DWG. NO. 990-223-00 REV. B DWG FILE: SHEET 1 OF 3
SEE NOTES	MFG:		
SEE NOTES	MFG ENG:		
DO NOT SCALE DRAWING	ISSUED:		



UNLESS OTHERWISE SPECIFIED DIMENSIONS ARE IN INCHES TOLERANCES ARE: FRACTIONS: DECIMALS: ANGLES: ±NA .XX ±.01 ±MA .XXX ±.005	APPROVALS	DATE	 Mackie Designs Inc. Woodinville, Wa.			
	DRAWN: PETE	7-14-98				
	CHECKED:					
	NP ENG:					
MATERIAL:	MATERIAL:		SCHEMATIC, DIGITAL 8-BUS AES/EBU CARD			
SEE NOTES	MFG:					
FINISH:	MFG ENG:		SIZE: D	SCALE: NONE	DWG. NO. 990-223-00	REV. B
DO NOT SCALE DRAWING	ISSUED:		DWG FILE:		SHEET 2 OF 3	

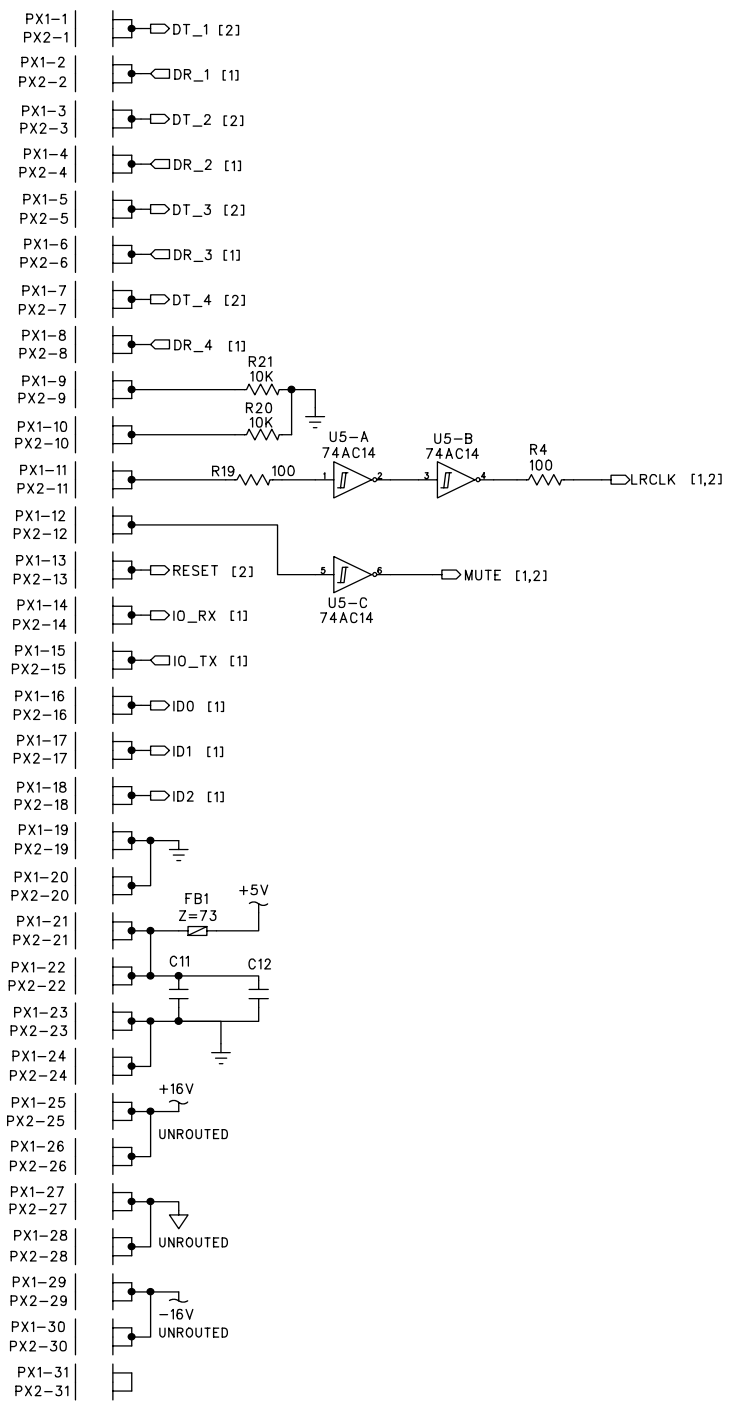


<p>UNLESS OTHERWISE SPECIFIED DIMENSIONS ARE IN INCHES TOLERANCES ARE:</p> <p>FRACTIONS: DECIMALS: ANGLES:</p> <p>±NA .XX ±.01 ±NA .XXX ±.005</p> <p>MATERIAL: SEE NOTES</p> <p>FINISH: SEE NOTES</p> <p>DO NOT SCALE DRAWING</p>	<p>APPROVALS</p> <p>DRAWN: PETE</p> <p>CHECKED:</p> <p>NP ENG:</p> <p>MATERIAL:</p> <p>MFG:</p> <p>MFG ENG:</p> <p>ISSUED:</p>	<p>DATE</p> <p>7-14-98</p>	<p><b>MACKIE</b></p> <p>Mackie Designs Inc. Woodinville, Wa.</p> <p>SCHMATIC, DIGITAL 8-BUS AES/EBU CARD</p>		
	<p>SIZE</p> <p>D NONE</p>	<p>SCALE</p> <p>NONE</p>		<p>DWG. NO.</p> <p>990-223-00</p>	<p>REV.</p> <p>B</p>
	<p>DWG FILE:</p>	<p>SHEET</p> <p>3 OF 3</p>			

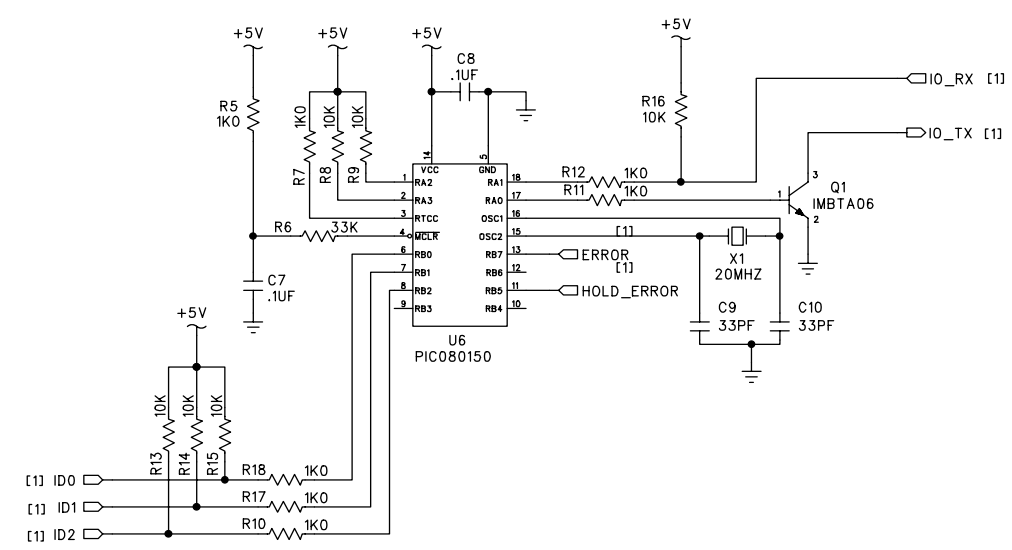
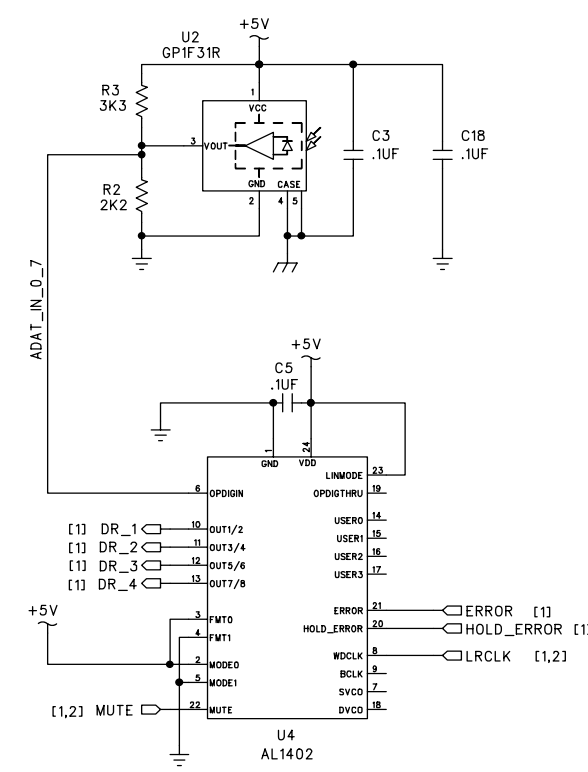


MACKIE DESIGNS. TM © 1998

DIGITAL 8-BUS: AES/EBU CARD  
055-223-00 REV. 1.0



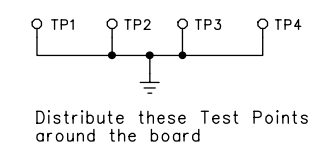
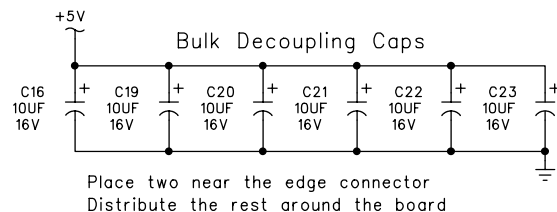
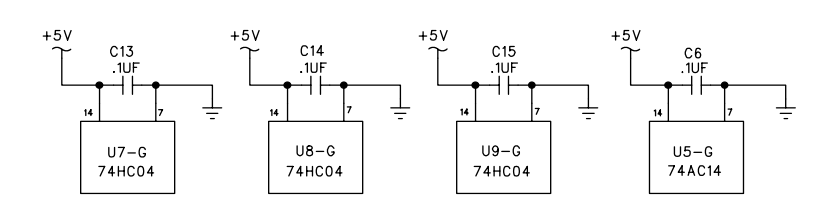
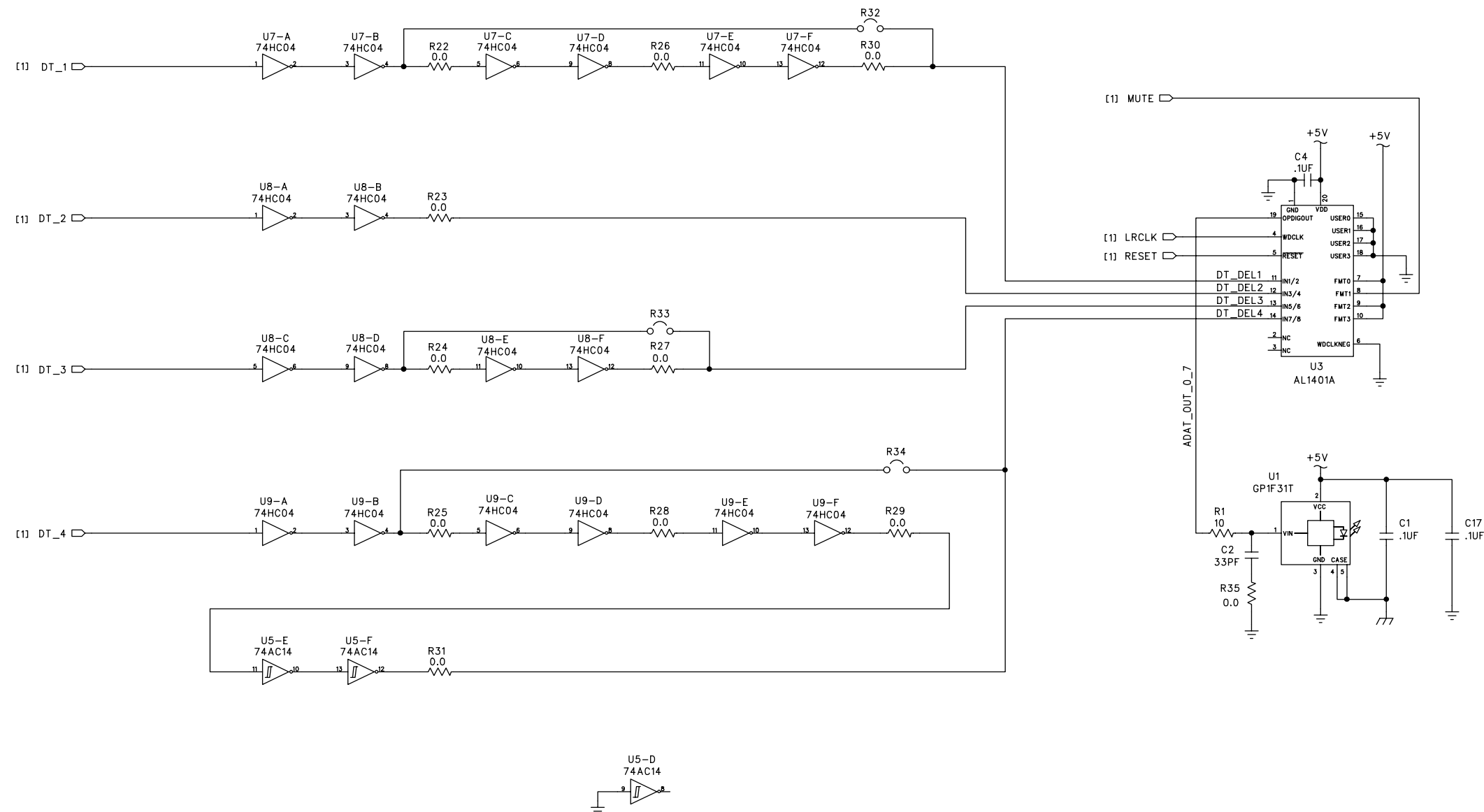
- Z7 450-237-00 PCB, OPTICAL 8
- BRK1 712-020-00 BRKT ANG 6-32X.037THK STL
- BRK2 712-020-00 BRKT ANG 6-32X.037THK STL
- Z3 712-021-01 RVT CL END .125X.062-.125
- Z4 712-021-01 RVT CL END .125X.062-.125
- Z5 712-021-01 RVT CL END .125X.062-.125
- Z6 712-021-01 RVT CL END .125X.062-.125



**MACKIE**  
Mackie Designs Inc. Woodinville, Wa.

SCHEMATIC, OPTICAL 8

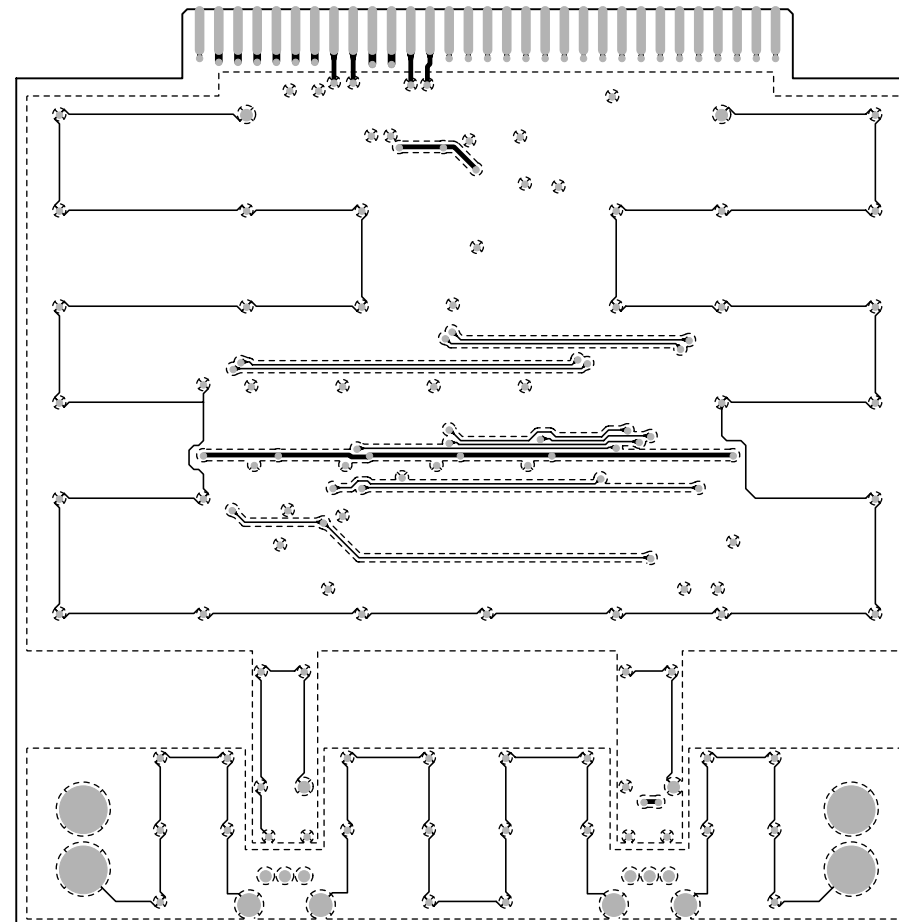
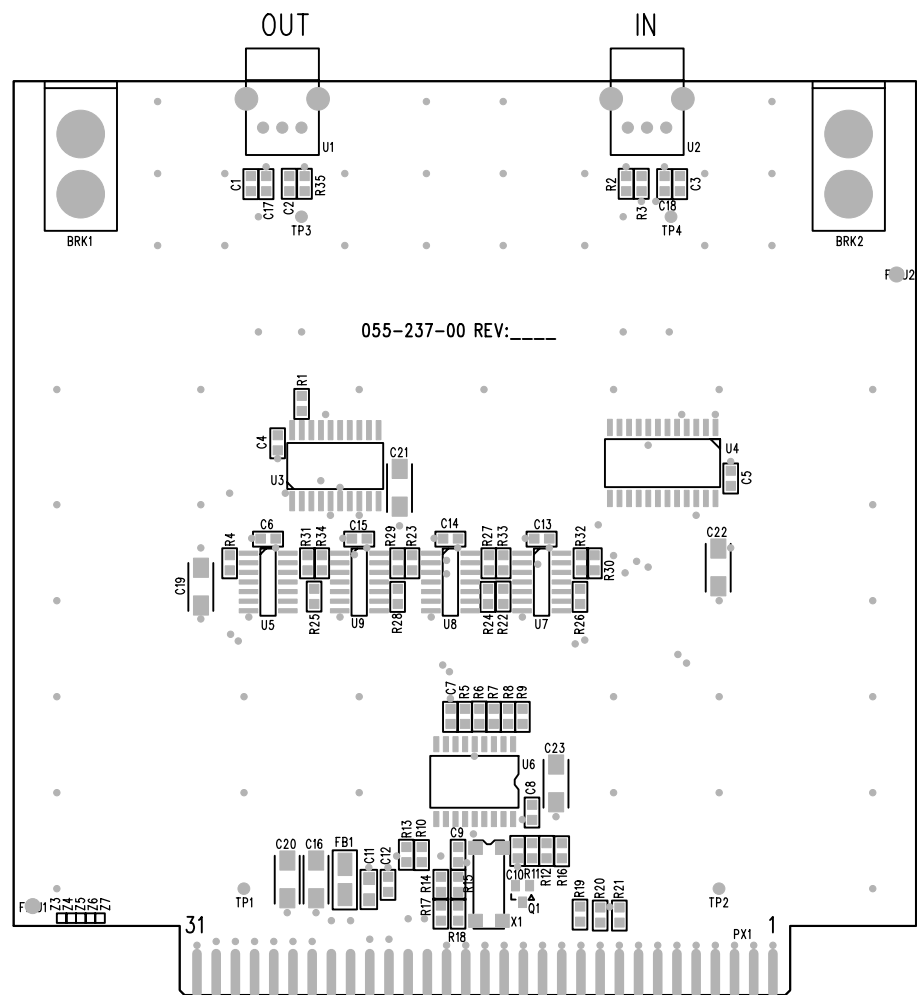
SIZE: D	SCALE: NONE	DWG. NO.: 990-237-00	REV.: B
DWG. FILE:		SHEET 1 OF 2	



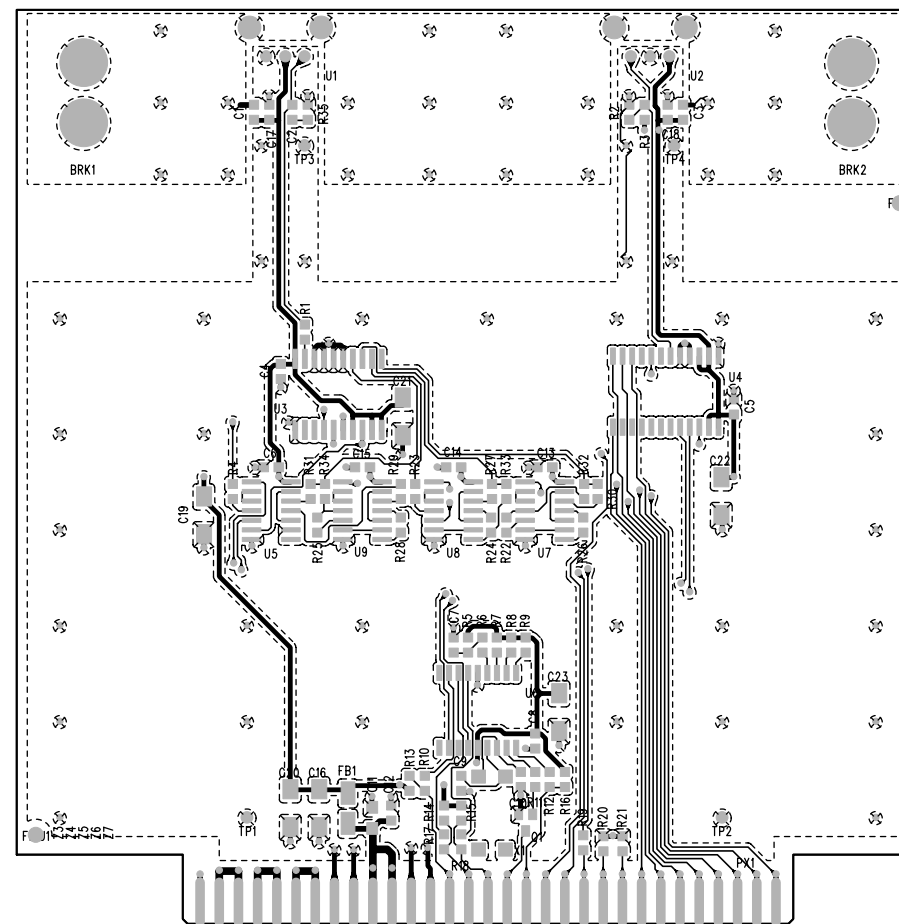
**MACKIE**  
Mackie Designs Inc. Woodinville, Wa.

SCHMATIC, OPTICAL 8

SIZE: D	SCALE: NONE	DWG. NO.: 990-237-00	REV.: B
DWG FILE:		SHEET 2 OF 2	



Bottom Surface



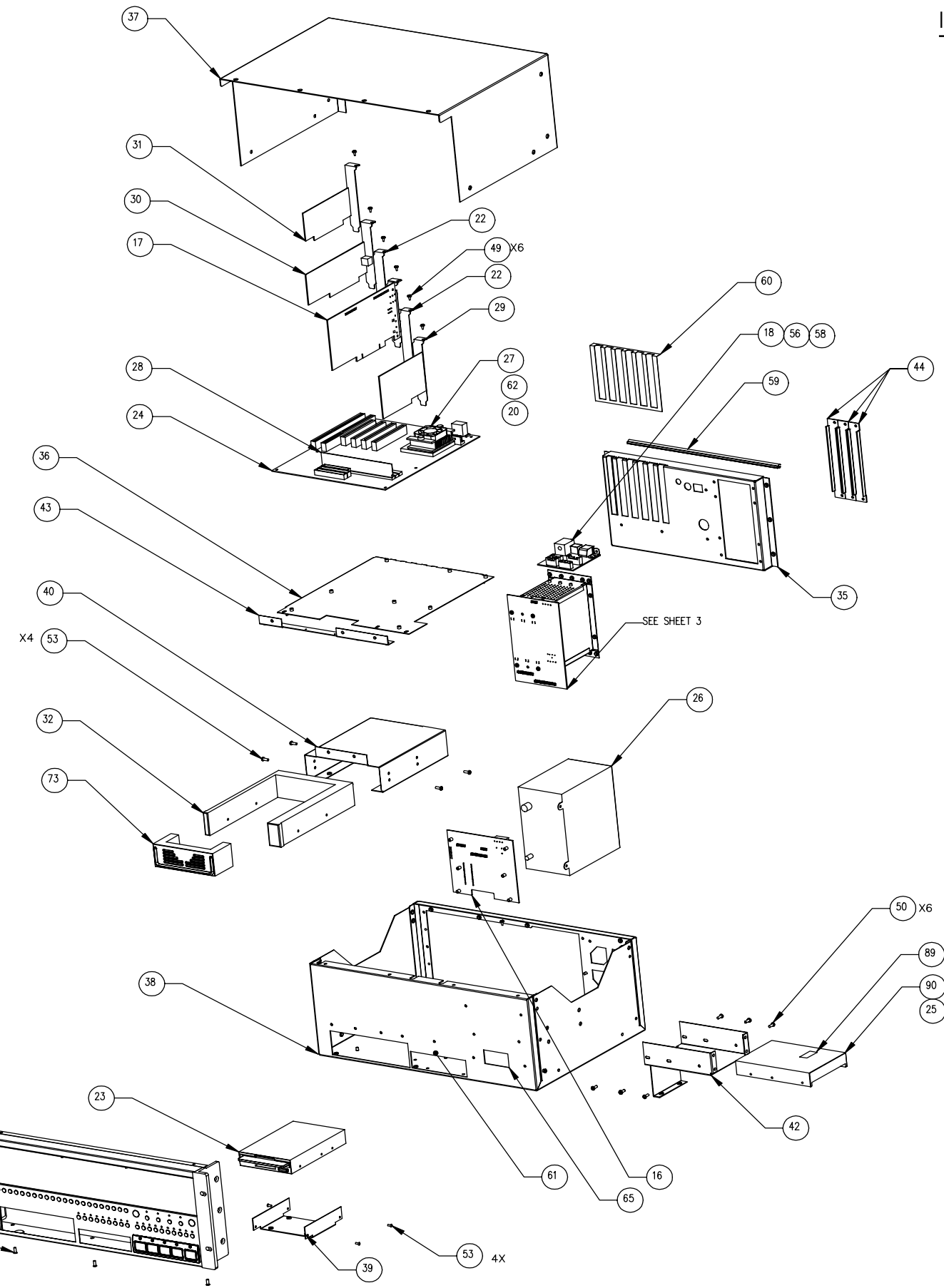
Top Surface



The Item numbers (shown in circles) correspond to the Item numbers in the first column of the parts list.

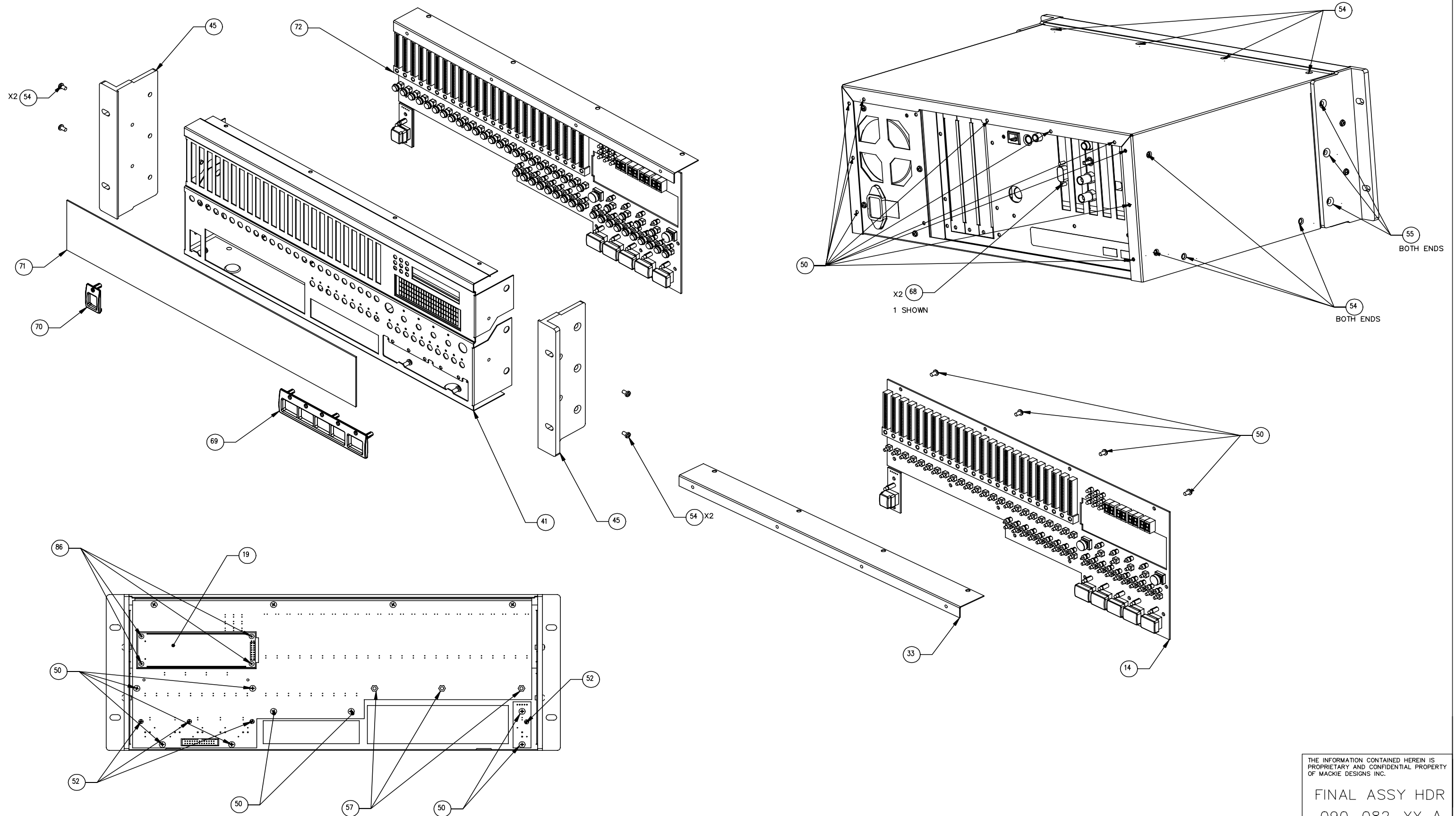
### Parts List 090-082-00 Rev A HDR 24/96 120VAC

See also the full parts list (chapter A)



Item	Part #	Description	Rev	Quantity
3	040-383-00	RIB 28GA 10C 14.0 PLZD	A	1
4	040-384-00	RIB 28GA 26C 4IN PLZD	B	1
5	040-385-00	RIB 28G TRANS 34C 18.5IN	B	1
6	040-386-00	RIB 28G 26C .100 14.50IN	B	1
7	040-387-00	RIB 28GA 14C 16.0 PLZD	A	1
9	040-390-00	RIB 28GA 10C 7.00 PLZD	B	2
12	040-393-00	CBL ASY 22G 4C/6P 9.0IN	A	1
13	040-438-00	RIB 28GA 16P .100 15.50IN	A	1
	040-489-00	DIS 18GA 4C 4.5IN PWR/MOL	A	1
	040-496-00	DIS 18GA 4C 14IN PWR EX	A	1
	040-497-00	DIS 22G 1007 2C/12P	A	1
14	055-178-00-01	PCB ASSY FRONT PANEL HDR	A3A1	1
15	055-179-00-01	PCB ASSY BACKPLANE HDR	AA1	1
16	055-180-00-01	PCB ASSY BRAIN HDR	BA1	1
18	055-268-00-01	PCB ASSY RMT I/O HDR	A1A1	1
	055-359-00-01	PCB ASSY HDR179 POSTSTAMP	AA1	1
	055-367-00-01	PCB ASSY ACUMA HDR	A7A2	1
19	080-180-00	SA LCD ASSY HDR	A	1
	080-218-03	OP SYS DISK 1 PRGMD V1-0	A A1	1
	080-218-04	OP SYS DISK 2 PRGMD V1-0	AA1	1
	080-246-00	SA DATA CABLES HDR	B	1
	080-247-00	SA POWER SUPPLY HDR	A	1
20	329-088-03	MICROPROC CELERON 433MHZ	A	1
	400-406-00	ADAPTER MIDI BRKOUT CABLE	A	1
22	480-024-00	BRKT BLANK PORT	A	2
23	480-029-00	OEM FLOPPY DRV 3.5 BLACK	B	1
24	480-039-00	OEM PCB MOTHER CB50-BX	AA1	1
25	480-040-00	OEM HARDDRIVE 20.4G	BA1	1
32	480-041-00	OEM DRIVE FRAME BLACK	A	1
27	480-043-00	OEM FAN MICROPROC	AA1	1
29	480-045-00	OEM VIDEO CARD	AA1	1
30	480-046-00	OEM ETHERNET CARD	AA1	1
31	480-053-00	OEM MIDI CARD WINMAN1X1	AA1	1
	480-062-00	SDRAM 128MB 2MX8 DIMM MOD	B A1	1
33	550-266-00	BRACKET FRONT PANEL HDR	A	1
34	550-309-00	CARD CAGE HDR	B	1
35	550-311-00	CARD RACK HDR	C	1
36	550-313-00	SUB CHASSIS HDR	C	1
37	550-314-00	PNT TOP COVER HDR	B	1
38	550-315-00	FAB ZINC-PLATED CHAS HDR	F	1
39	550-316-00	BRACKET 3.5 HDR	A	1
40	550-317-00	BRACKET 5.25 HDR	C	1
41	550-318-00	SCN FRONT PANEL HDR	C	1
42	550-319-00	BRACKET HARD DRIVE HDR	B	1
43	550-320-00	BRACKET SUB CHASSIS HDR	C	1
44	550-332-00	PNT BLANK COV PLATE SM D8	B	3
45	551-087-00	PNT EXTR RACKEAR HDR	C	2
50	700-028-00	SEMS 6-32X1/4 PHP BLKZC	B	60
	700-034-00	SEMS 4-40X1/4 PHP BLKZC	A	10
51	700-036-02	MCH 6-32X1/4 FLT100DG CLR	A	29
52	700-055-00	MCH 4-24X3/8 PHP BLK HILO	A	4
53	700-085-03	SCR PHP M3X6 STL BLK ZC	A	8
54	700-086-00	TF 6-32X3/8 FL 100DG BLK	A	16
	700-126-01	SCR 6-32X1/4 FL UNCUT BLK	A	3
55	700-129-02	SCR 10-32X1/2 FLT PHP BLK	A	6
	700-135-00	SEMS 6-32X1/4 PHP CL ZINC	A	19
49	701-002-00	SM B 6X1/4 PHP BLKZC	A	6
56	705-029-00	NUT HEX W/400-287-00	A	AR
57	706-097-00	STDF HEX 6-32 .562L M/F	A	3
57	706-097-00	STDF HEX 6-32 .562L M/F	A	2
58	710-046-00	WASH FLAT W/400-287-00	A	AR
57	706-097-00	STDF HEX 6-32 .562L M/F	A	2
59	712-077-00	GASKET EMI CLP FDR 11.5IN	A	1
60	712-078-00	GSKT EMI BKPLN SHLD 6SLOT	A	1
61	712-079-00	GASKET EMI PERP CLIP .5IN	A	1
62	730-001-00	THERMAL JOINT COMPOUND	A	AR
	740-001-00	TYRAP 3-1/4L	A	7
	740-002-00	TYRAP MOUNT .75 X .75	B	1
	740-007-02	GROMMET STRIP LARGE	A	AR
66	740-017-00	CARD GUIDE 4.0L SNAP-IN	A	6
	740-023-00	FLT CBL CLMP NYL LOCK 40C	A	1
	750-001-00	BUMPON ROUND BLK .63X.31	A	4
68	760-130-00	DUST CVR 9S/15HD DSUB F B	A	2
70	760-159-01	PWR SW BEZEL HDR POWER	C	1
73	760-172-00	PLUG HARD DRIVE BAY HDR	A	1
	760-175-02	TRSPRT BTN BEZEL HDR	B	1
71	780-047-00	LEXAN METER HDR	A	1
72	780-152-00	FOAM GASKET LED HDR	A	1
	860-047-01	OP SFTWR HD V1.0 HDR	A	AR
	640-001-00	LC IEC SJT 10A/125V 6FT	D	1

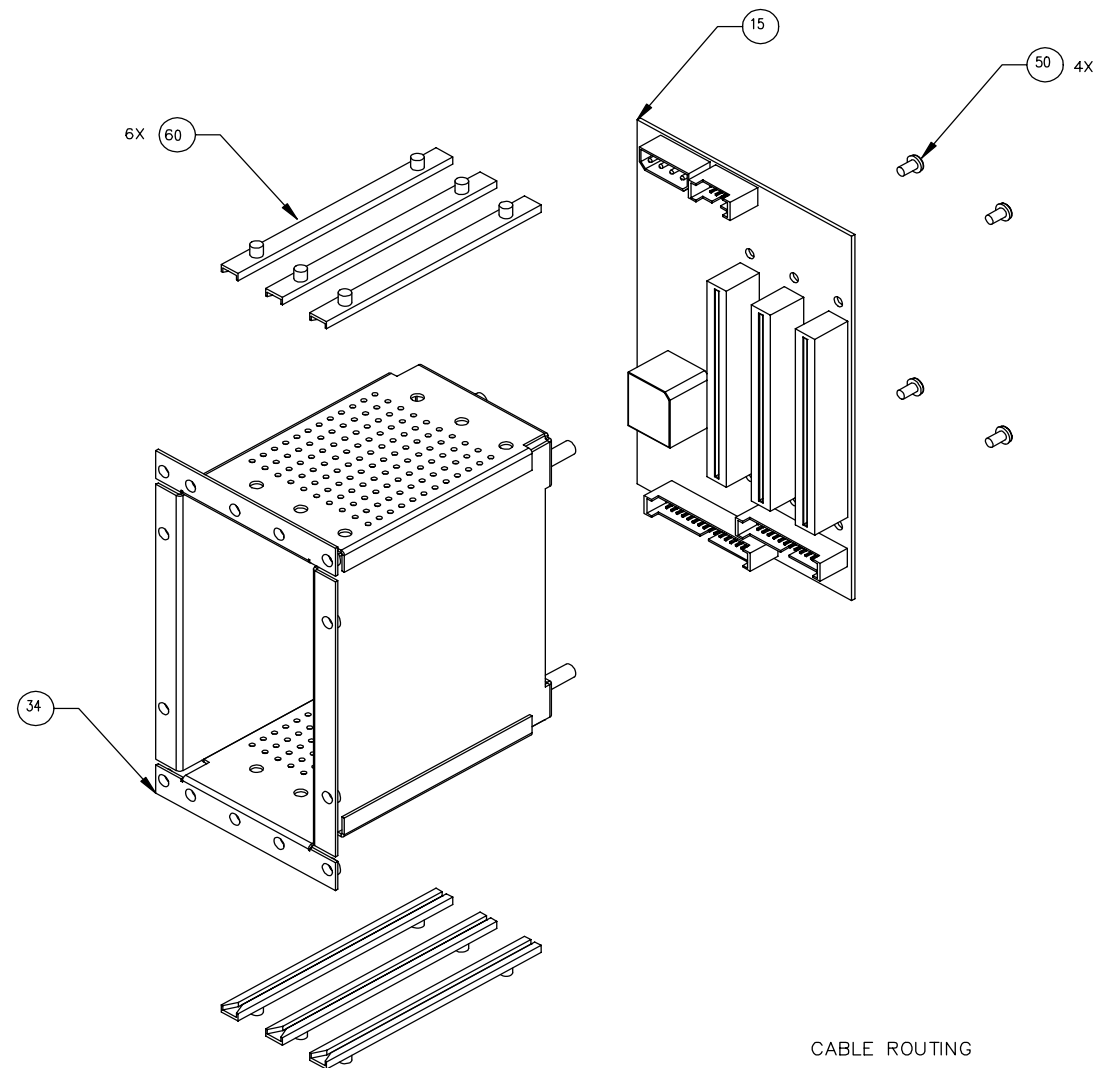
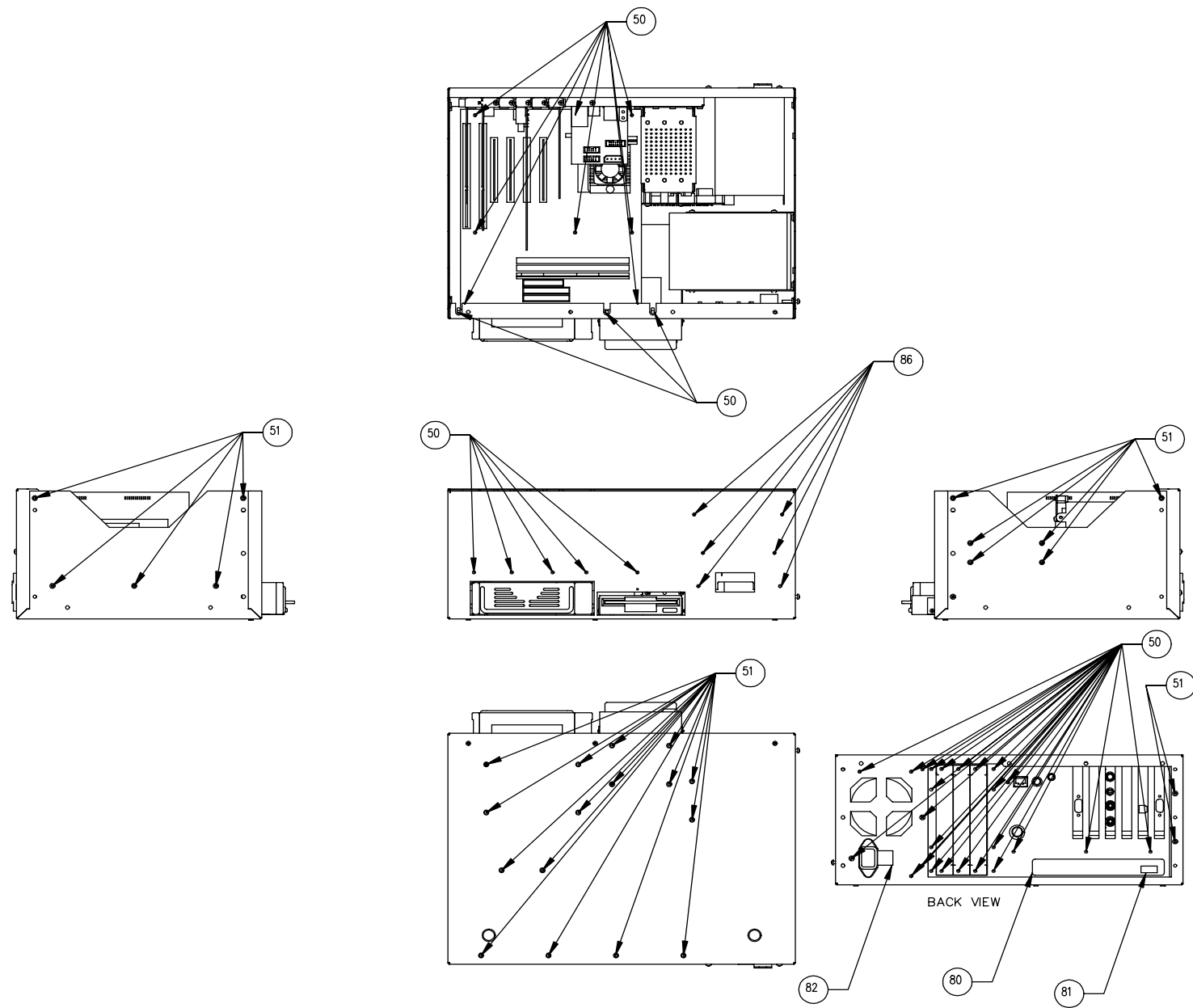
DASH	VOLTAGE	THE INFORMATION CONTAINED HEREIN IS PROPRIETARY AND CONFIDENTIAL PROPERTY OF MACKIE DESIGNS INC.  <b>FINAL ASSY HDR</b> 090-082-XX A SHEET 1 OF 3
-01	120V	
-02	230V	
-03	100V	
-04	220V	



THE INFORMATION CONTAINED HEREIN IS  
 PROPRIETARY AND CONFIDENTIAL PROPERTY  
 OF MACKIE DESIGNS INC.

FINAL ASSY HDR  
 090-082-XX A

SHEET 2 OF 3



CABLE ROUTING

CABLE	FROM	TO	COMMENTS
1	(23)	(24)	
2	(26)	(32)	
3	(15)	(16)	
4	(14)	(16)	
5	(15)	(17)	
6	(15)	(17)	
7	(18)	(16)	
8	(16)	(24)	SURROUNDED BY 3 LOOPS (46)
9	(18)	(24)	
10	(25)	(24)	PRIMARY
11	(18)	(24)	SECONDARY
12	(18)	(24)	
13	(18)	(19)	

THE INFORMATION CONTAINED HEREIN IS PROPRIETARY AND CONFIDENTIAL PROPERTY OF MACKIE DESIGNS INC.

FINAL ASSY HDR  
090-082-XX A

SHEET 3 OF 3

