


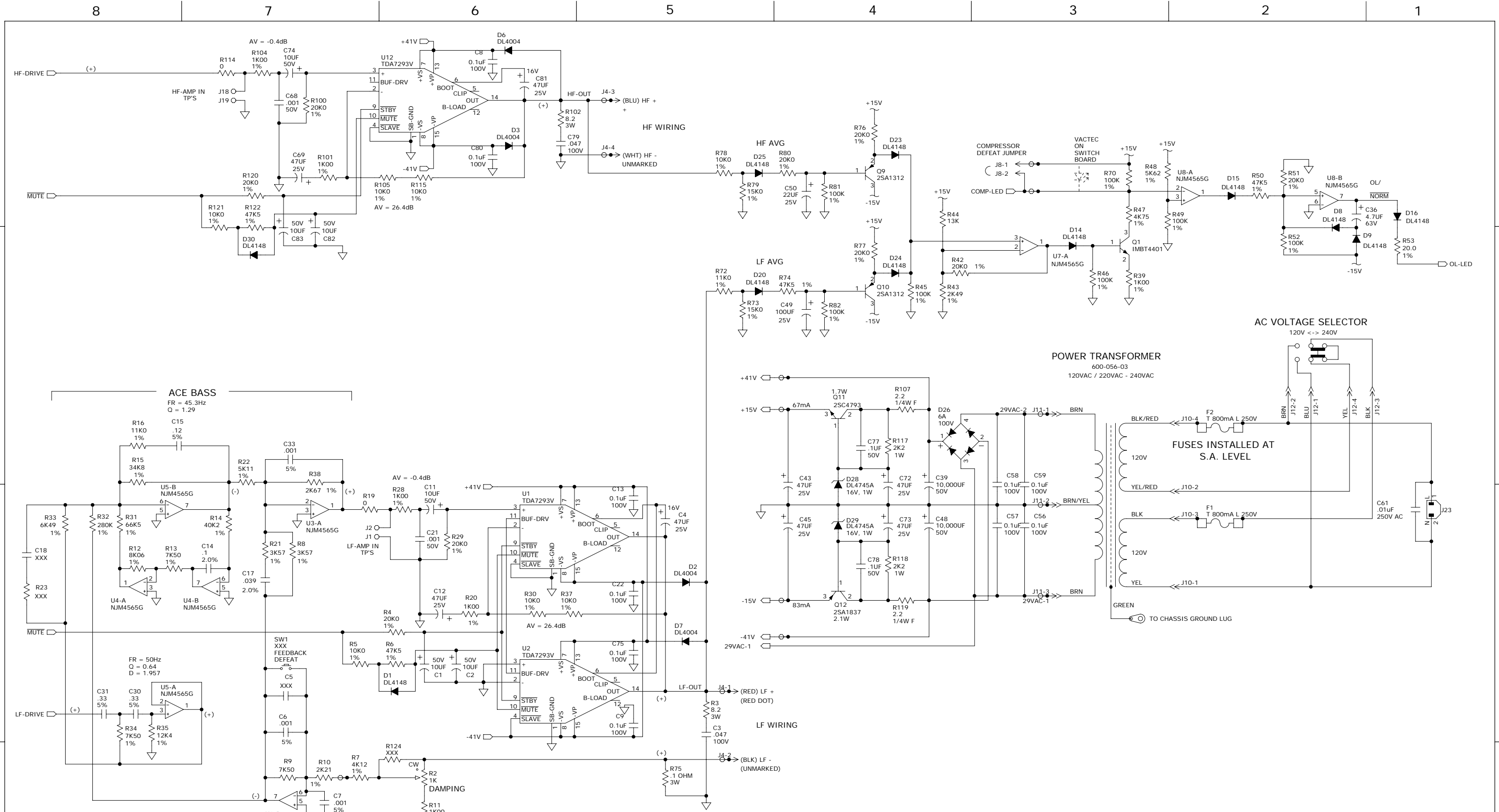
APPROVALS	DATE
DRAWN: BRYANT	09/20/06
CHECKED:	
NP ENG:	
MATERIAL:	
MFG:	
MFG ENG:	
ISSUED:	



LOUD Technologies Inc.
1 MAIN STREET WHITINSVILLE, MA 01588

SCHEMATIC, HR624 MKII MAIN BOARD	
SIZE: D	SCALE: NONE
DWG. NO. 0021668-XX	REV. D00
DWG. FILE:	SHEET 1 OF 2

© 2006 LOUD TECHNOLOGIES INC.
ALL RIGHTS RESERVED
THE INFORMATION CONTAINED HEREIN
IS PROPRIETARY AND CONFIDENTIAL
PROPERTY OF LOUD TECHNOLOGIES INC.



- 0000522
Shield, Ground, HR624
- 0023259-04
PCB FAB HR624 MKII MAIN
- 730-038-00
JET MELT 3M 3779-Q
QTY A/R
- 400-060-00
FUSE CLIP PCMT 5MM DIA
- 400-060-00
FUSE CLIP PCMT 5MM DIA
- 0021668-XX
SCHEMATIC PCB ASSY HR624 MKII MAIN

© 2006 LOUD TECHNOLOGIES INC.
ALL RIGHTS RESERVED
THE INFORMATION CONTAINED HEREIN
IS PROPRIETARY AND CONFIDENTIAL
PROPERTY OF LOUD TECHNOLOGIES INC.

APPROVALS		DATE
DRAWN:	BRYANT	09/20/06
CHECKED:		
NP ENG:		
MATERIAL:		
MFG:		
MFG ENG:		
ISSUED:		

		LOUD Technologies Inc. 1 MAIN STREET WHITINSVILLE, MA 01588	
		SCHEMATIC, HR624 MKII MAIN BOARD	
SIZE	SCALE:	DWG. NO.	REV.
D	NONE	0021668-XX	D00
DWG FILE:			SHEET 2 OF 2