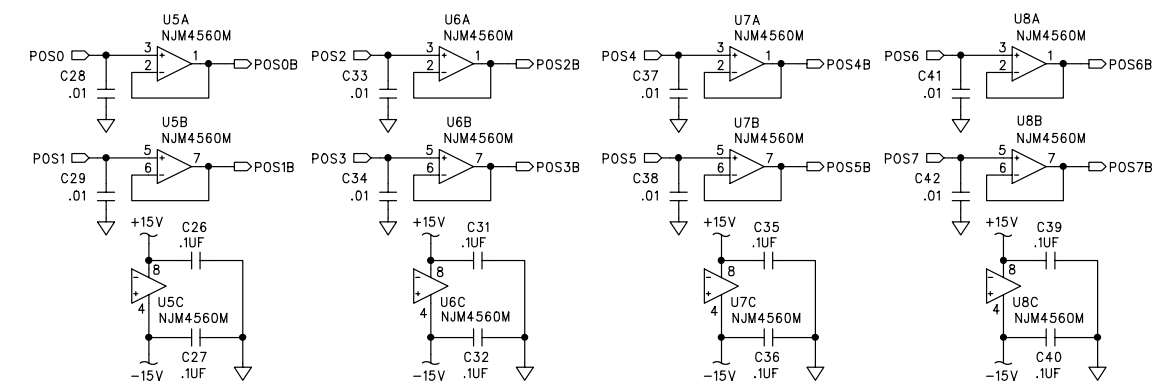
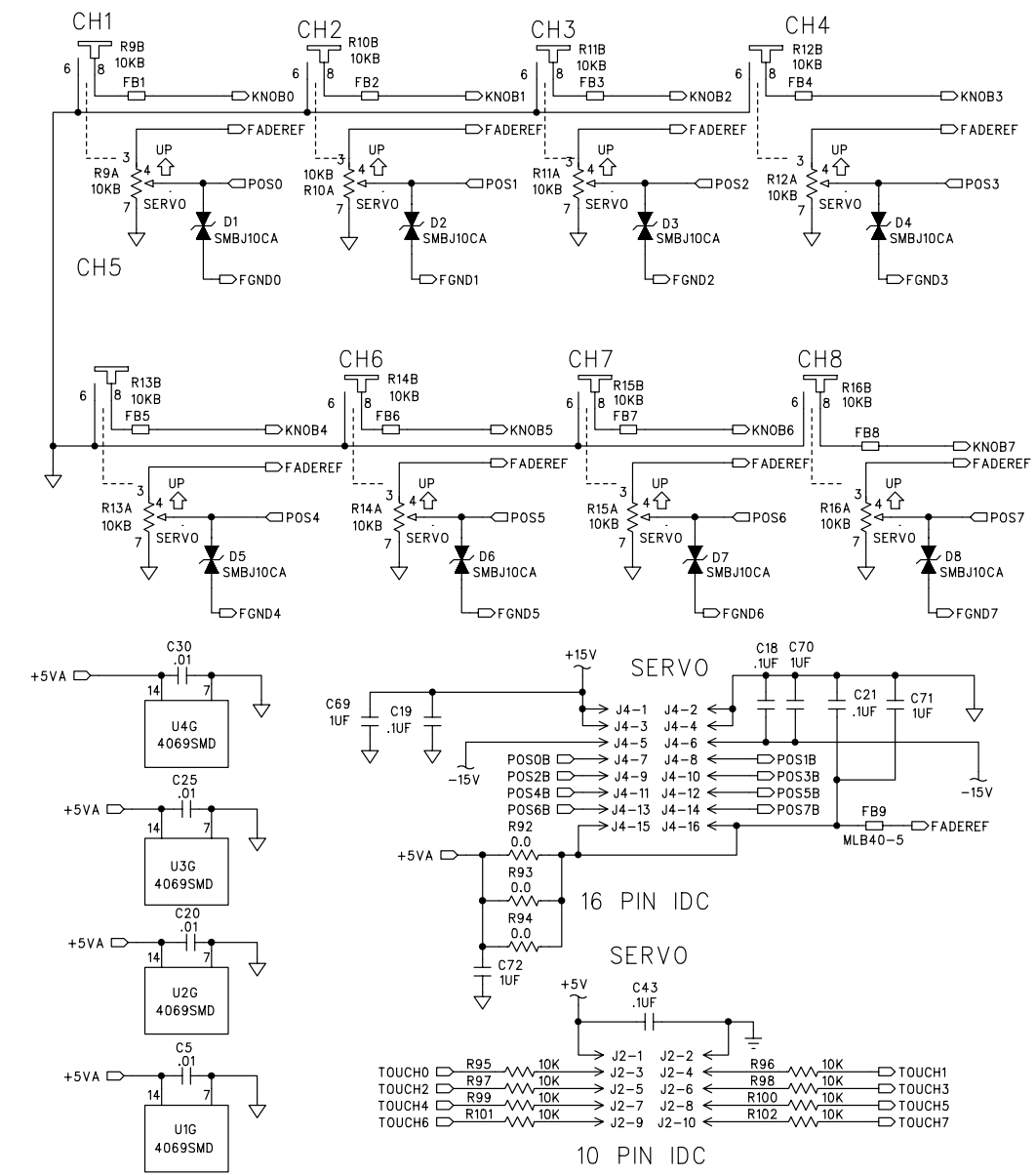
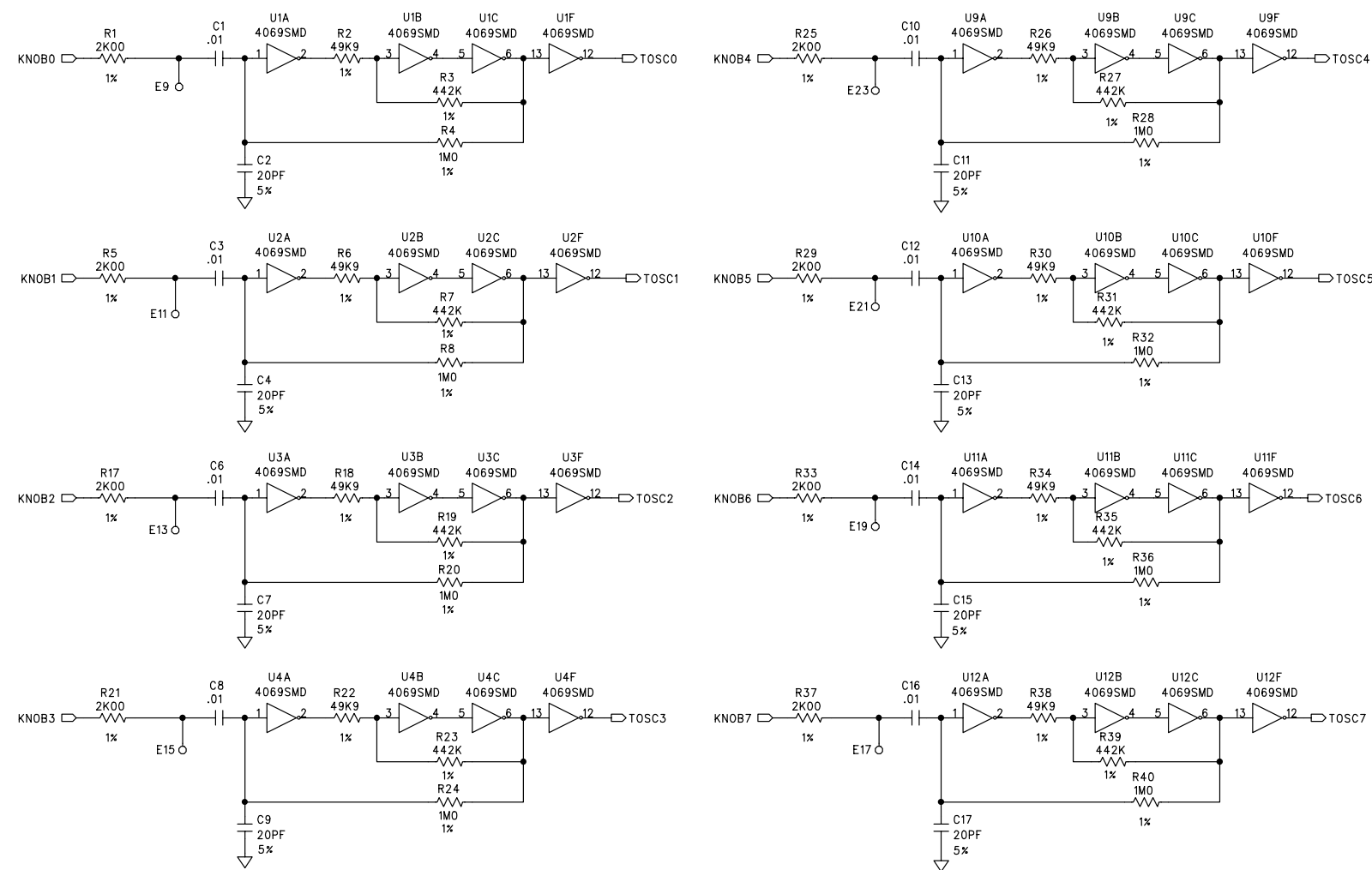
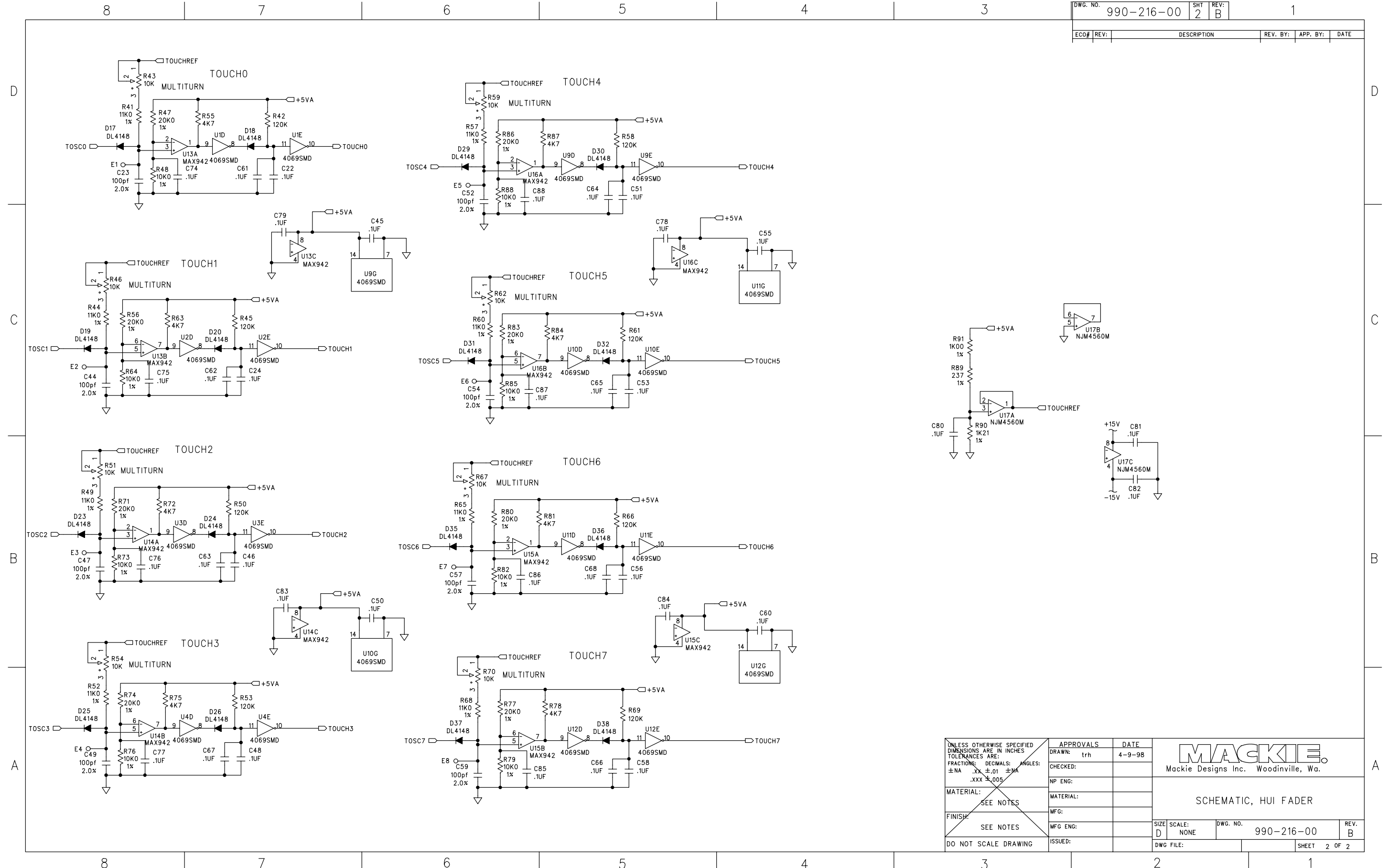


DWG. NO.	990-216-00	SHT	1	REV:	B
ECO#	REV:	DESCRIPTION	REV. BY:	APP. BY:	DATE
A		RELEASE TO PRODUCTION INCORP ECO 1359, 1476, 1527, 1605, AND 1635 FROM 450-103-00 REV:A	TH		4-9-98
1676	B	ESD CHANGES FOR CE	KR		5-8-98

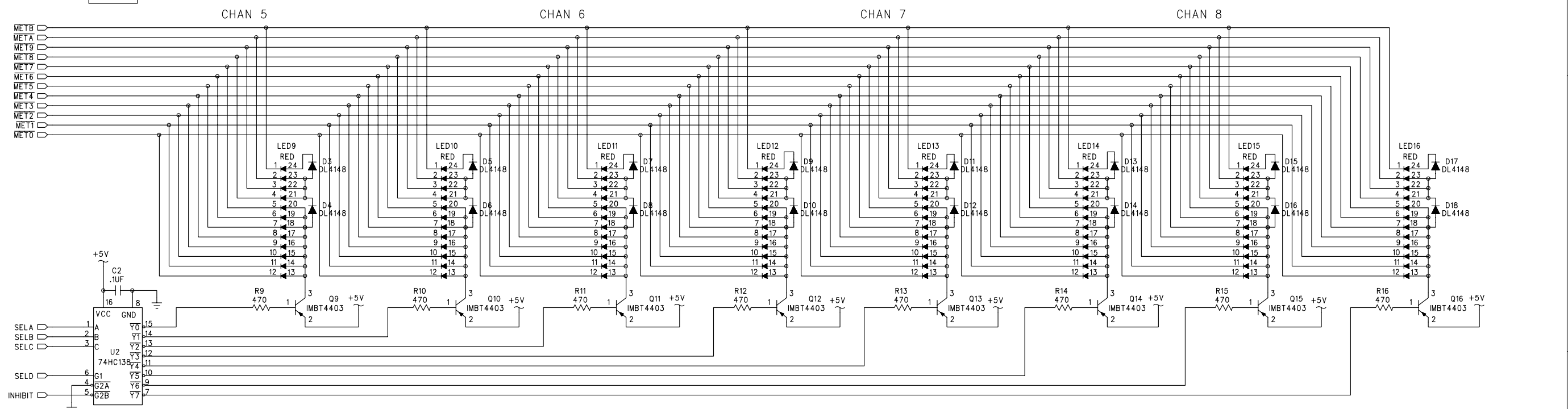
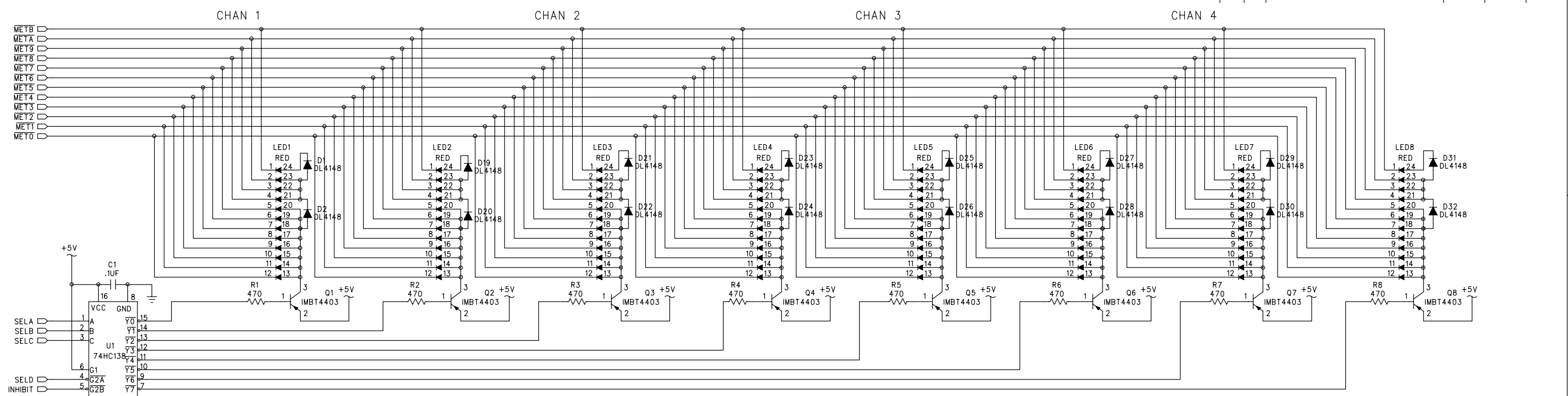


- 040-167-00 CABLE ASSY, SERVO TO FADER
- 706-033-01 STANDOFF, SWAGE, 4-40 X .542L
- 450-216-00 PCB, HUI FADER

UNLESS OTHERWISE SPECIFIED DIMENSIONS ARE IN INCHES TOLERANCES ARE: FRACTIONS: DECIMALS: ANGLES: ±NA .XX ±.01 ±MA .XXX ±.005	APPROVALS	DATE	<b>MACKIE</b> Mackie Designs Inc. Woodville, Wa.
	DRAWN: trh	4-9-98	
	CHECKED:		
	NP ENG: JP	4-28-98	
MATERIAL: SEE NOTES	MATERIAL:		SCHEMATIC, HUI FADER
FINISH: SEE NOTES	MFG:		
DO NOT SCALE DRAWING	MFG ENG:		
ISSUED: LV	4-28-98	DWG. NO. 990-216-00	REV. B
		SCALE: NONE	SIZE: D
		DWG. FILE:	SHEET 1 OF 2



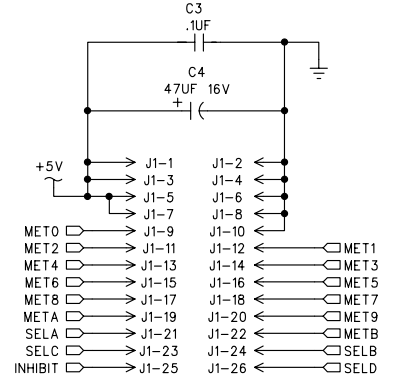
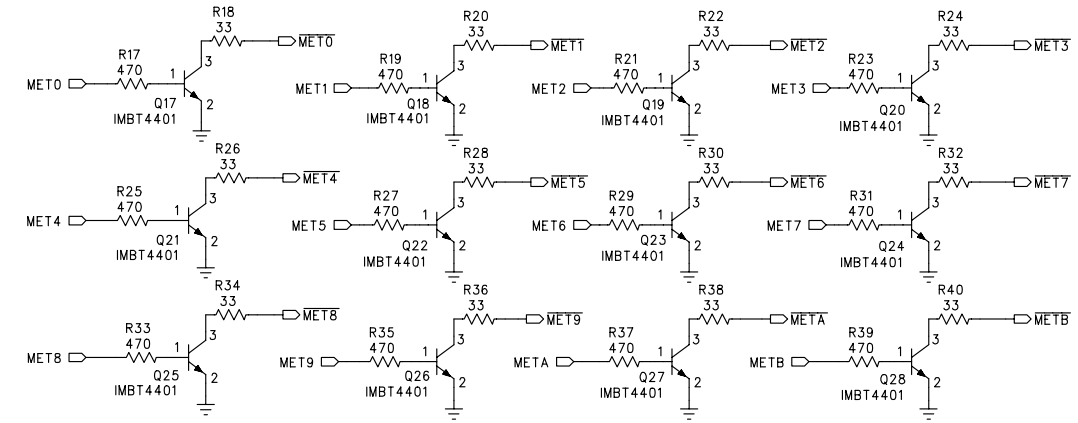
UNLESS OTHERWISE SPECIFIED DIMENSIONS ARE IN INCHES TOLERANCES ARE: FRACTIONS: DECIMALS: ANGLES: ±NA .XX ±.01 ±MA .XXX ±.005	APPROVALS	DATE	<p>Mackie Designs Inc. Woodville, Wa.</p> <p>SCHEMATIC, HUI FADER</p>
	DRAWN: trh	4-9-98	
	CHECKED:		
	NP ENG:		
MATERIAL: SEE NOTES	MATERIAL:		SIZE: D SCALE: NONE DWG. NO. 990-216-00 REV. B
FINISH: SEE NOTES	MFG:		
DO NOT SCALE DRAWING	MFG ENG:		DWG FILE:
	ISSUED:		SHEET 2 OF 2



450-104-00  
PCB, HUI METER

UNLESS OTHERWISE SPECIFIED DIMENSIONS ARE IN INCHES TOLERANCES ARE: FRACTIONS: DECIMALS: ANGLES: ±.NA .XX ±.01 ±.NA .XXX ±.005	APPROVALS	DATE	<b>MACKIE</b> Mackie Designs Inc. Woodinville, Wa.
	DRAWN: AMC	3/3/97	
	CHECKED:		
	NP ENG:		
MATERIAL:	MATERIAL:	SCHEMATIC, HUI METER PCB	
SEE NOTES	MFG:		
FINISH:	MFG ENG:		
SEE NOTES	ISSUED:		
DO NOT SCALE DRAWING		SIZE: D	SCALE: NONE
		DWG. NO. 990-104-00	REV. A
		DWG FILE:	SHEET 1 OF 2

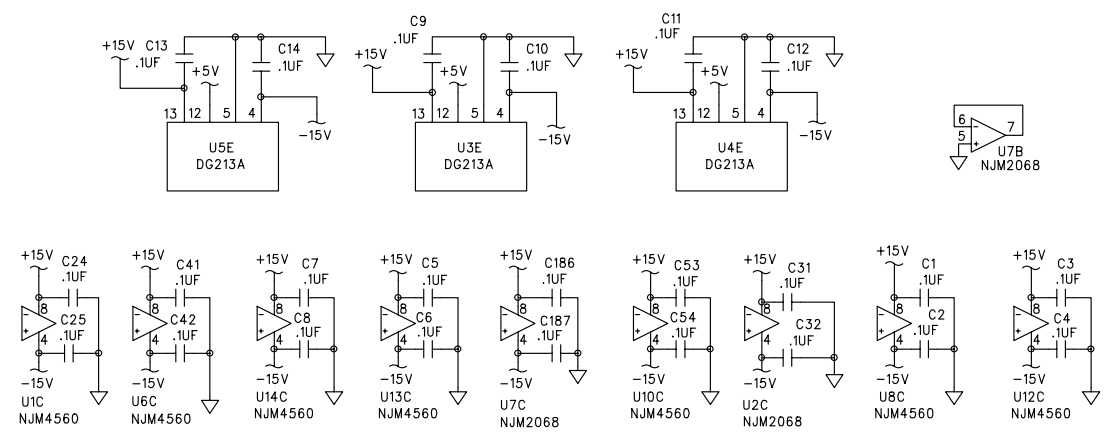
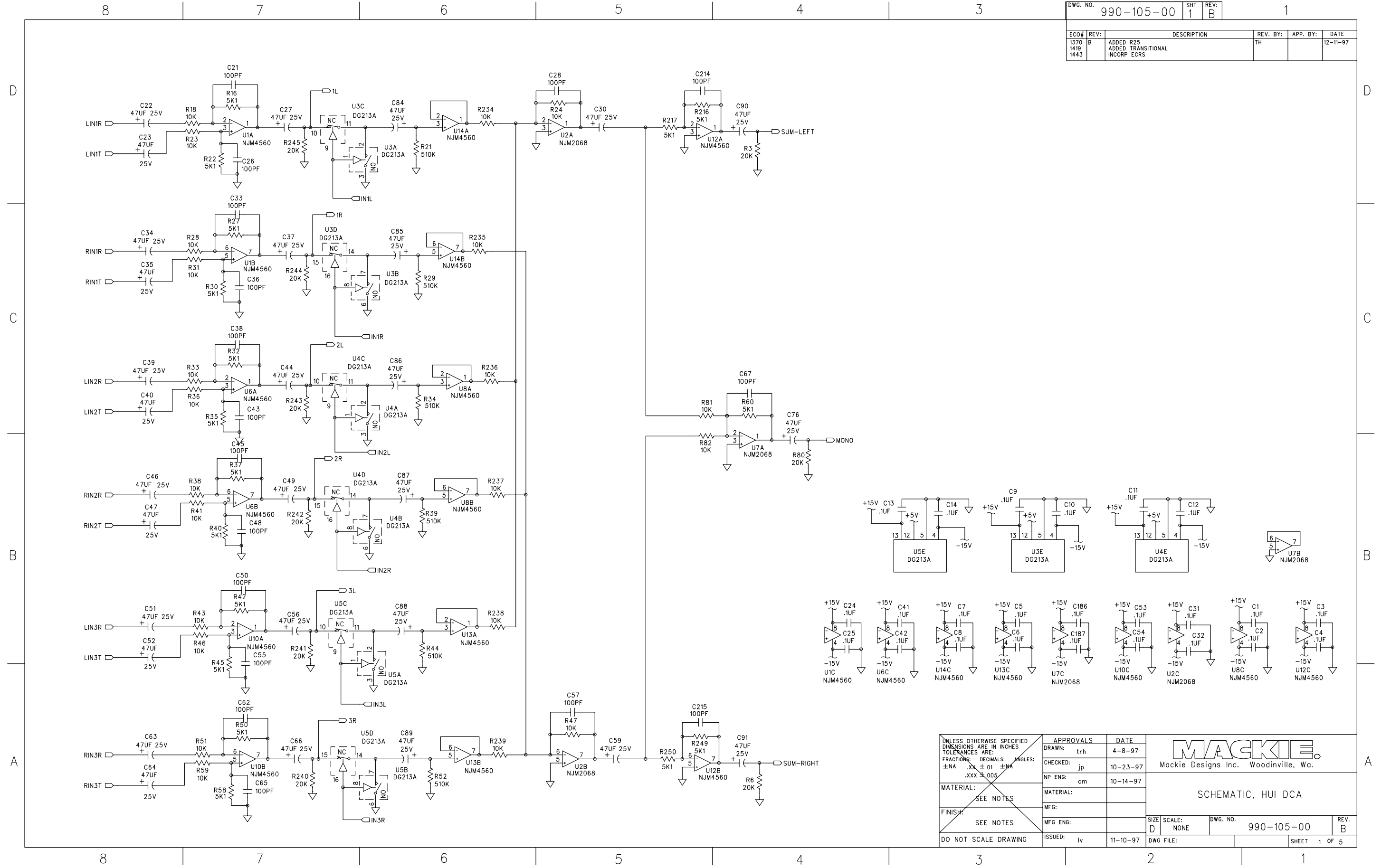
ECO#	REV:	DESCRIPTION	REV. BY:	APP. BY:	DATE
------	------	-------------	----------	----------	------



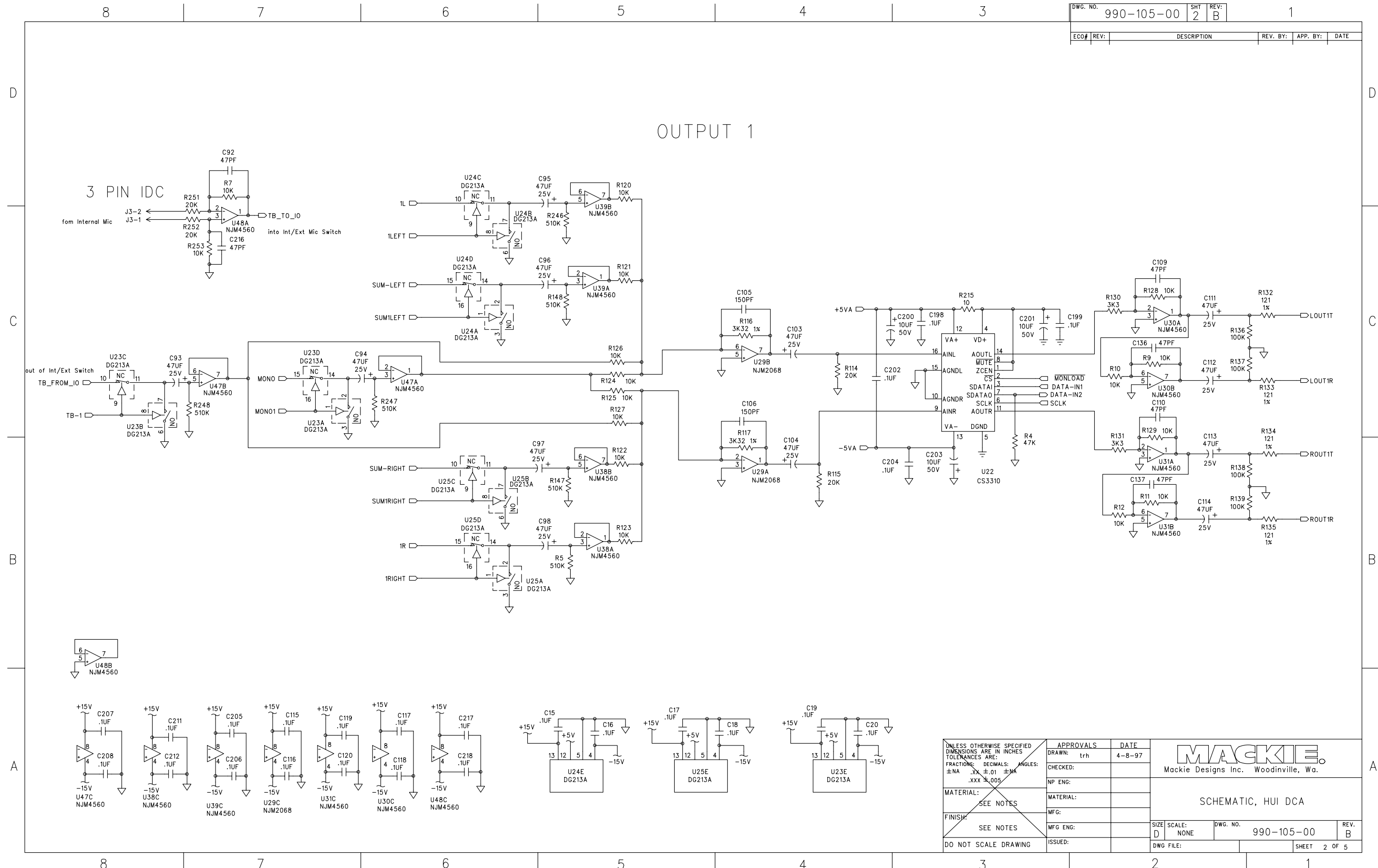
26 PIN IDC

UNLESS OTHERWISE SPECIFIED DIMENSIONS ARE IN INCHES TOLERANCES ARE: FRACTIONS: DECIMALS: ANGLES: ±NA .XX ±.01 ±NA .XXX ±.005	APPROVALS	DATE	Mackie Designs Inc. Woodinville, Wa.
	DRAWN: trh	4-3-97	
	CHECKED:		
	NP ENG:		
MATERIAL:	MATERIAL:		SCHEMATIC, HUI METER
SEE NOTES	MFG:		
FINISH:	MFG ENG:		SIZE: D SCALE: NONE DWG. NO. 990-104-00 REV. A
DO NOT SCALE DRAWING	ISSUED:		DWG FILE: SHEET 2 OF 2

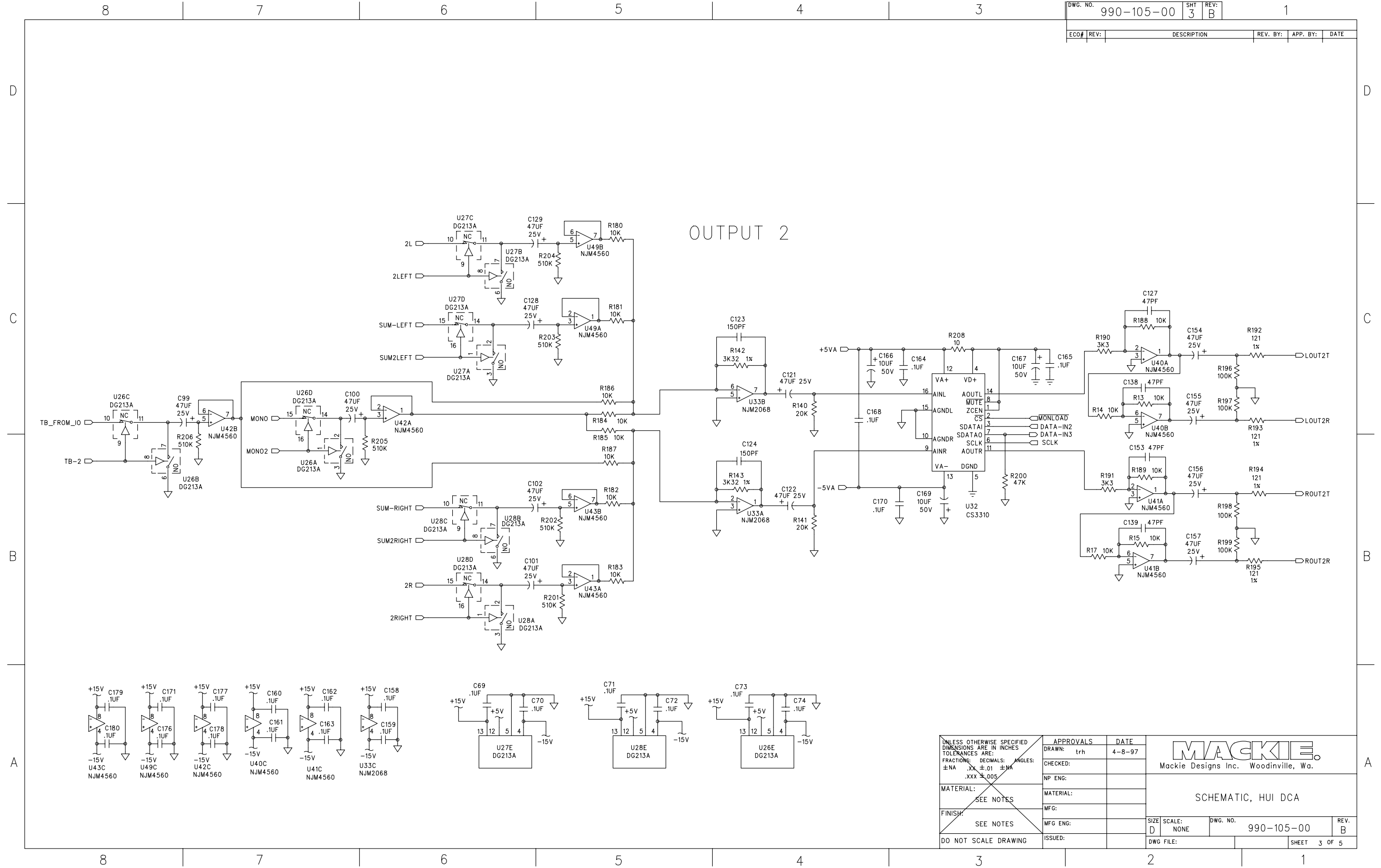
DWG. NO.	990-105-00	SHT	1	REV:	B	1
ECO#	REV:	DESCRIPTION	REV. BY:	APP. BY:	DATE	
1370	B	ADDED R25	TH		12-11-97	
1419		ADDED TRANSITIONAL				
1443		INCORP ECRS				



UNLESS OTHERWISE SPECIFIED DIMENSIONS ARE IN INCHES TOLERANCES ARE: FRACTIONS: DECIMALS: ANGLES: ±.NA .XX ±.01 ±NA .XXX ±.005	APPROVALS	DATE	<b>MACKIE</b> Mackie Designs Inc. Woodinville, Wa.
	DRAWN: trh	4-8-97	
MATERIAL: SEE NOTES	CHECKED: jp	10-23-97	SCHEMATIC, HUI DCA
	NP ENG: cm	10-14-97	
FINISH: SEE NOTES	MFG:		SIZE: D SCALE: NONE DWG. NO. 990-105-00 REV. B
DO NOT SCALE DRAWING	MFG ENG:		
	ISSUED: lv	11-10-97	DWG FILE: SHEET 1 OF 5

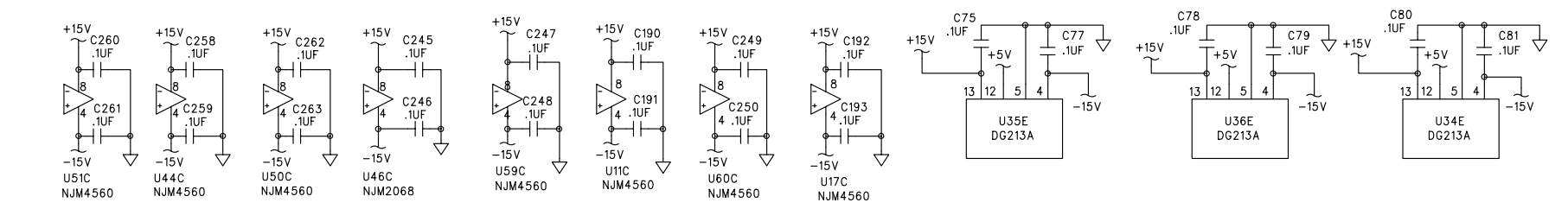
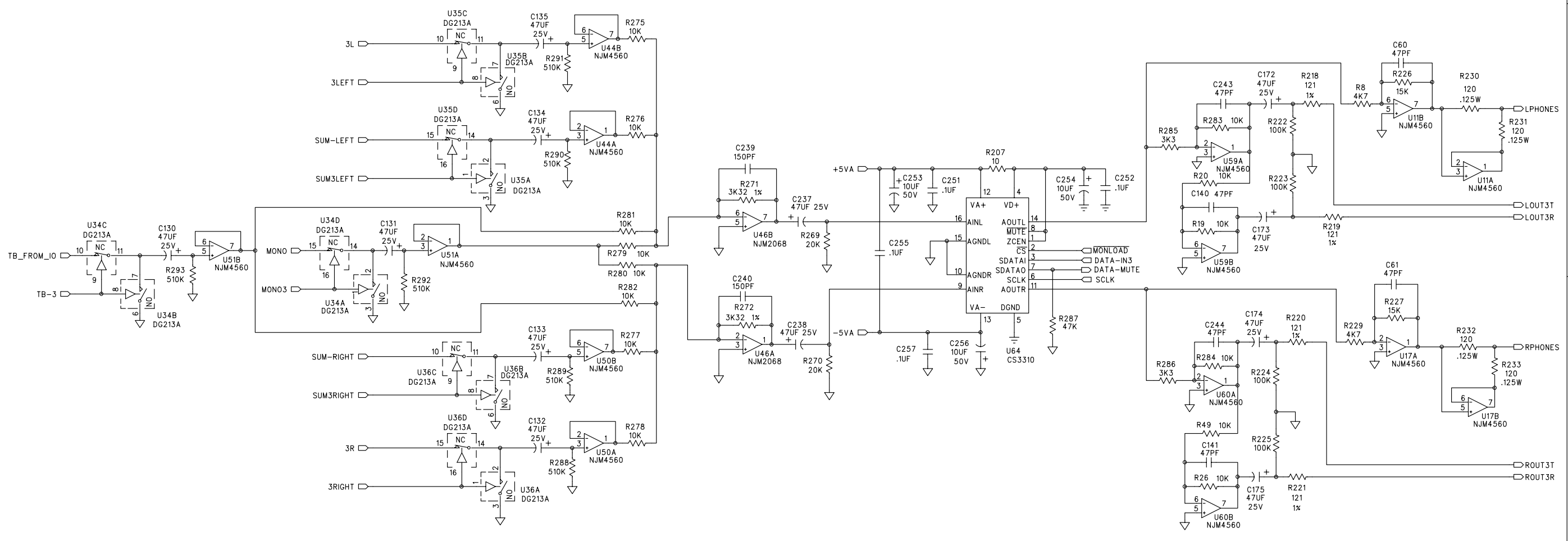


UNLESS OTHERWISE SPECIFIED DIMENSIONS ARE IN INCHES TOLERANCES ARE: FRACTIONS: DECIMALS: ANGLES: ±NA .xxx ±.01 ±NA .xxx ±.005	APPROVALS	DATE	Mackie Designs Inc. Woodinville, Wa.
	DRAWN: trh	4-8-97	
	CHECKED:		
	NP ENG:		
MATERIAL:	MATERIAL:		SCHEMATIC, HUI DCA
SEE NOTES	MFG:		
FINISH:	MFG ENG:		SIZE: D
DO NOT SCALE DRAWING	ISSUED:		SCALE: NONE
			DWG. NO. 990-105-00
			REV. B
			SHEET 2 OF 5



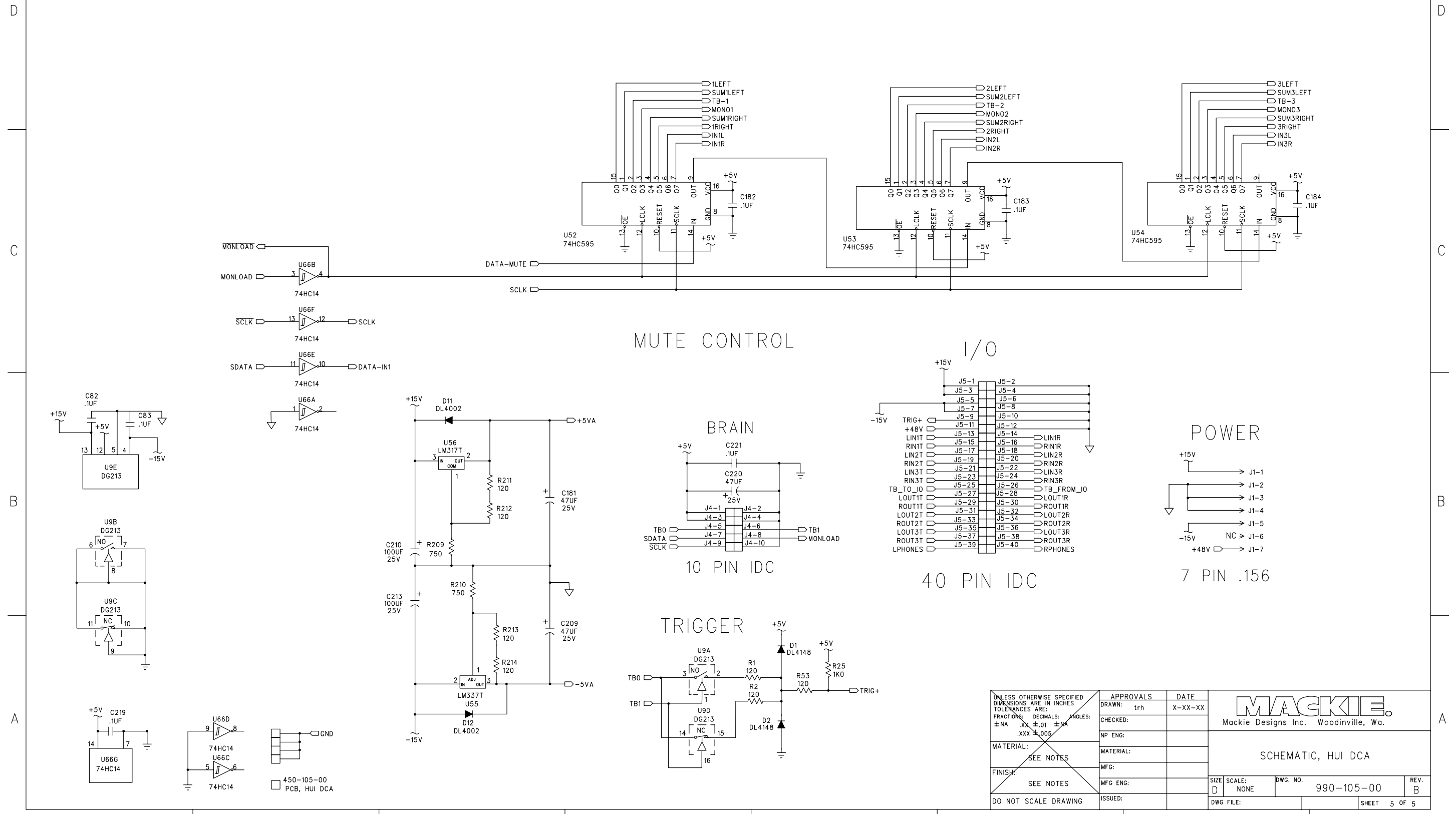
UNLESS OTHERWISE SPECIFIED DIMENSIONS ARE IN INCHES TOLERANCES ARE: FRACTIONS: DECIMALS: ANGLES: $\pm NA .XX \pm .01 \pm NA$ $.XXX \pm .005$	APPROVALS	DATE	Mackie Designs Inc. Woodinville, Wa.
	DRAWN: trh	4-8-97	
	CHECKED:		
	NP ENG:		
MATERIAL:	MATERIAL:		SCHEMATIC, HUI DCA
SEE NOTES	MFG:		
FINISH:	MFG ENG:		
DO NOT SCALE DRAWING	ISSUED:		SIZE: D SCALE: NONE DWG. NO. 990-105-00 REV. B DWG FILE: SHEET 3 OF 5

OUTPUT 3



UNLESS OTHERWISE SPECIFIED DIMENSIONS ARE IN INCHES TOLERANCES ARE: FRACTIONS: DECIMALS: ANGLES: ±NA .XX ±.01 ±MA .XXX ±.005	APPROVALS	DATE	<p>Mackie Designs Inc. Woodinville, Wa.</p>
	DRAWN: trh	4-8-97	
	CHECKED:		
	NP ENG:		
MATERIAL:	MATERIAL:		SCHEMATIC, HUI DCA
SEE NOTES	MFG:		
FINISH:	MFG ENG:		SIZE: D SCALE: NONE DWG. NO. 990-105-00 REV. B
DO NOT SCALE DRAWING	ISSUED:		DWG FILE: SHEET 4 OF 5





UNLESS OTHERWISE SPECIFIED DIMENSIONS ARE IN INCHES TOLERANCES ARE: FRACTIONS: DECIMALS: ANGLES: ±NA .XX ±.01 ±WA .XXX ±.005	APPROVALS	DATE	<b>MACKIE</b> Mackie Designs Inc. Woodinville, Wa.
	DRAWN: trh	X-XX-XX	
	CHECKED:		
	NP ENG:		
MATERIAL:	MATERIAL:	SCHEMATIC, HUI DCA	
SEE NOTES	MFG:		
FINISH:	MFG ENG:		
DO NOT SCALE DRAWING	ISSUED:	SIZE: D	SCALE: NONE
		DWG. NO. 990-105-00	REV. B
		SHEET 5 OF 5	