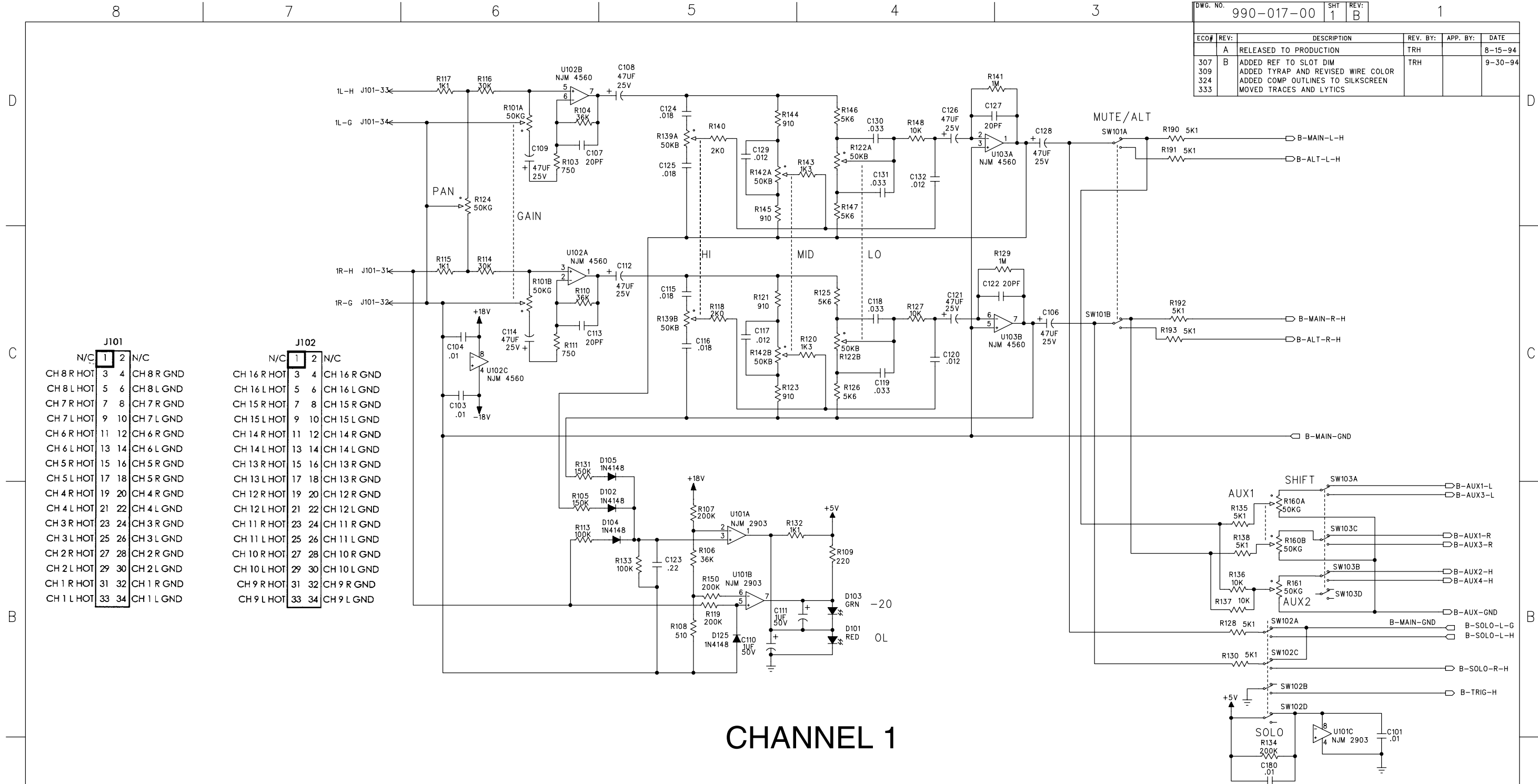


ECO#	REV:	DESCRIPTION	REV. BY:	APP. BY:	DATE
	A	RELEASED TO PRODUCTION	TRH		8-15-94
307	B	ADDED REF TO SLOT DIM	TRH		9-30-94
309		ADDED TYRAP AND REVISED WIRE COLOR			
324		ADDED COMP OUTLINES TO SILKSCREEN			
333		MOVED TRACES AND LYTICS			



CHANNEL 1

The other channels have the same schematic design.
 Channel 2 has part numbers in the 200s
 Channel 3 has part numbers in the 300s
 and so on through to Channel 16

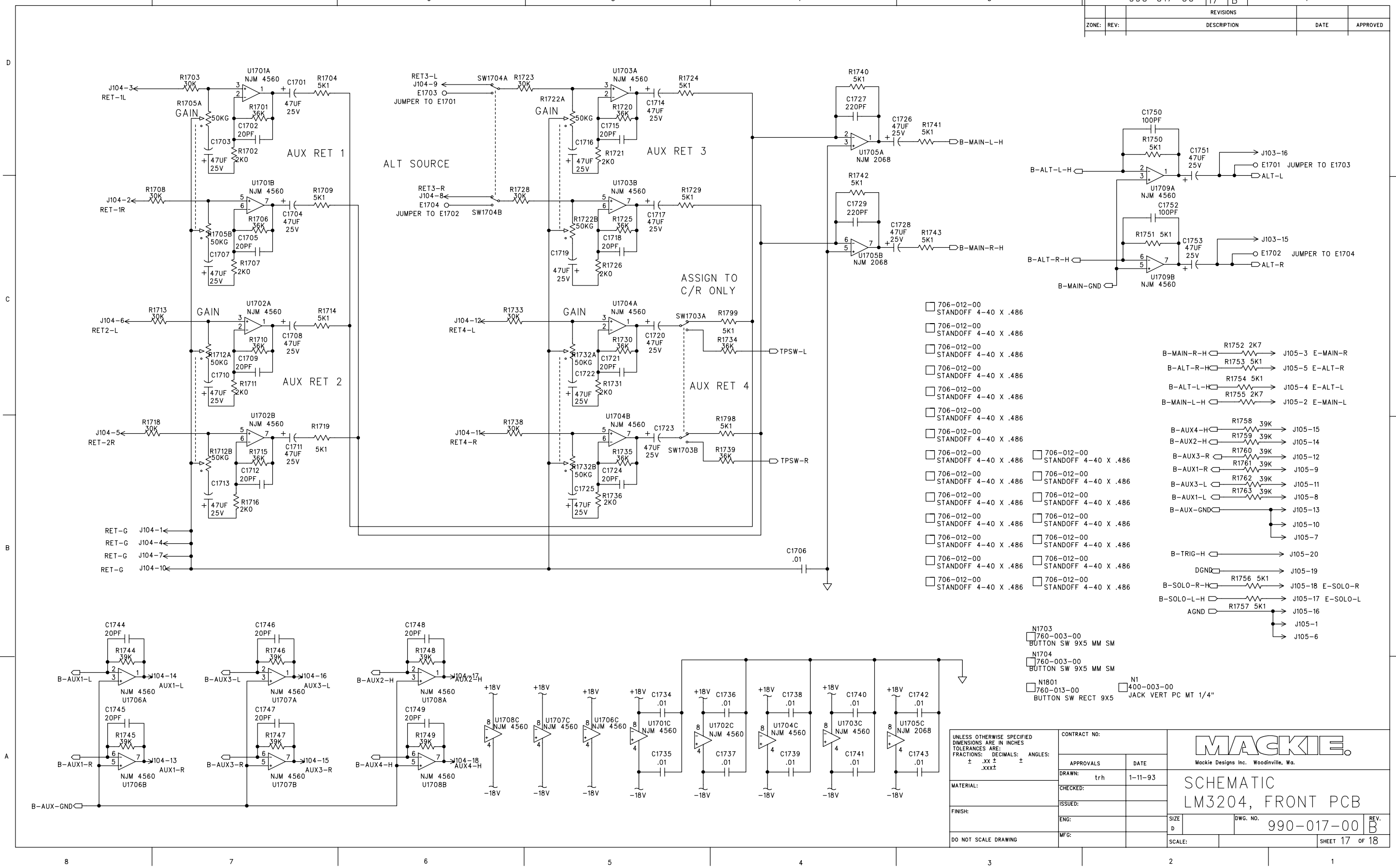
J101		N/C		1		2		N/C	
CH 8 R HOT	3	4	CH 8 R GND						
CH 8 L HOT	5	6	CH 8 L GND						
CH 7 R HOT	7	8	CH 7 R GND						
CH 7 L HOT	9	10	CH 7 L GND						
CH 6 R HOT	11	12	CH 6 R GND						
CH 6 L HOT	13	14	CH 6 L GND						
CH 5 R HOT	15	16	CH 5 R GND						
CH 5 L HOT	17	18	CH 5 L GND						
CH 4 R HOT	19	20	CH 4 R GND						
CH 4 L HOT	21	22	CH 4 L GND						
CH 3 R HOT	23	24	CH 3 R GND						
CH 3 L HOT	25	26	CH 3 L GND						
CH 2 R HOT	27	28	CH 2 R GND						
CH 2 L HOT	29	30	CH 2 L GND						
CH 1 R HOT	31	32	CH 1 R GND						
CH 1 L HOT	33	34	CH 1 L GND						

J102		N/C		1		2		N/C	
CH 16 R HOT	3	4	CH 16 R GND						
CH 16 L HOT	5	6	CH 16 L GND						
CH 15 R HOT	7	8	CH 15 R GND						
CH 15 L HOT	9	10	CH 15 L GND						
CH 14 R HOT	11	12	CH 14 R GND						
CH 14 L HOT	13	14	CH 14 L GND						
CH 13 R HOT	15	16	CH 13 R GND						
CH 13 L HOT	17	18	CH 13 L GND						
CH 12 R HOT	19	20	CH 12 R GND						
CH 12 L HOT	21	22	CH 12 L GND						
CH 11 R HOT	23	24	CH 11 R GND						
CH 11 L HOT	25	26	CH 11 L GND						
CH 10 R HOT	27	28	CH 10 R GND						
CH 10 L HOT	29	30	CH 10 L GND						
CH 9 R HOT	31	32	CH 9 R GND						
CH 9 L HOT	33	34	CH 9 L GND						

- N101 □ 760-002-00 BUTTON SW 9X9 MM
- N102 □ 760-013-00 BUTTON SW 9X5 MM
- N103 □ 760-013-00 BUTTON SW 9X5 MM

UNLESS OTHERWISE SPECIFIED DIMENSIONS ARE IN INCHES TOLERANCES ARE: FRACTIONS: .XX ±.01 ±.005 DECIMALS: .XXX ±.005 ANGLES: ±NA ±.01 ±.005	CONTRACT NO:		MACKIE Mackie Designs Inc. Woodinville, Wa.		
	APPROVALS	DATE			
	MATERIAL:	CHECKED: LM	9-9-94	SCHEMATIC LM3204 FRONT BOARD	
	FINISH:	ISSUED: CR	9-9-94		
DO NOT SCALE DRAWING	ENG: JG	9-9-94	SIZE D	DWG. NO. 990-017-00	
	MFG: AR	9-9-94	SCALE: NONE	REV. B	

DWG. NO.	990-017-00	SHT	17	REV:	B
REVISIONS					
ZONE:	REV:	DESCRIPTION	DATE	APPROVED	



UNLESS OTHERWISE SPECIFIED DIMENSIONS ARE IN INCHES TOLERANCES ARE: FRACTIONS: DECIMALS: ANGLES: ± .xx ± .xxx ±	CONTRACT NO:		 Mackie Designs Inc. Woodville, Wa.		
	APPROVALS	DATE			
	MATERIAL:	DRAWN: trh	1-11-93	SCHEMATIC LM3204, FRONT PCB	
	FINISH:	CHECKED:	ISSUED:		
DO NOT SCALE DRAWING	ENG:	MFG:	SIZE D	DWG. NO. 990-017-00	REV. B
			SCALE:	SHEET 17 OF 18	

17-2 FRONT BOARD 17 REV B

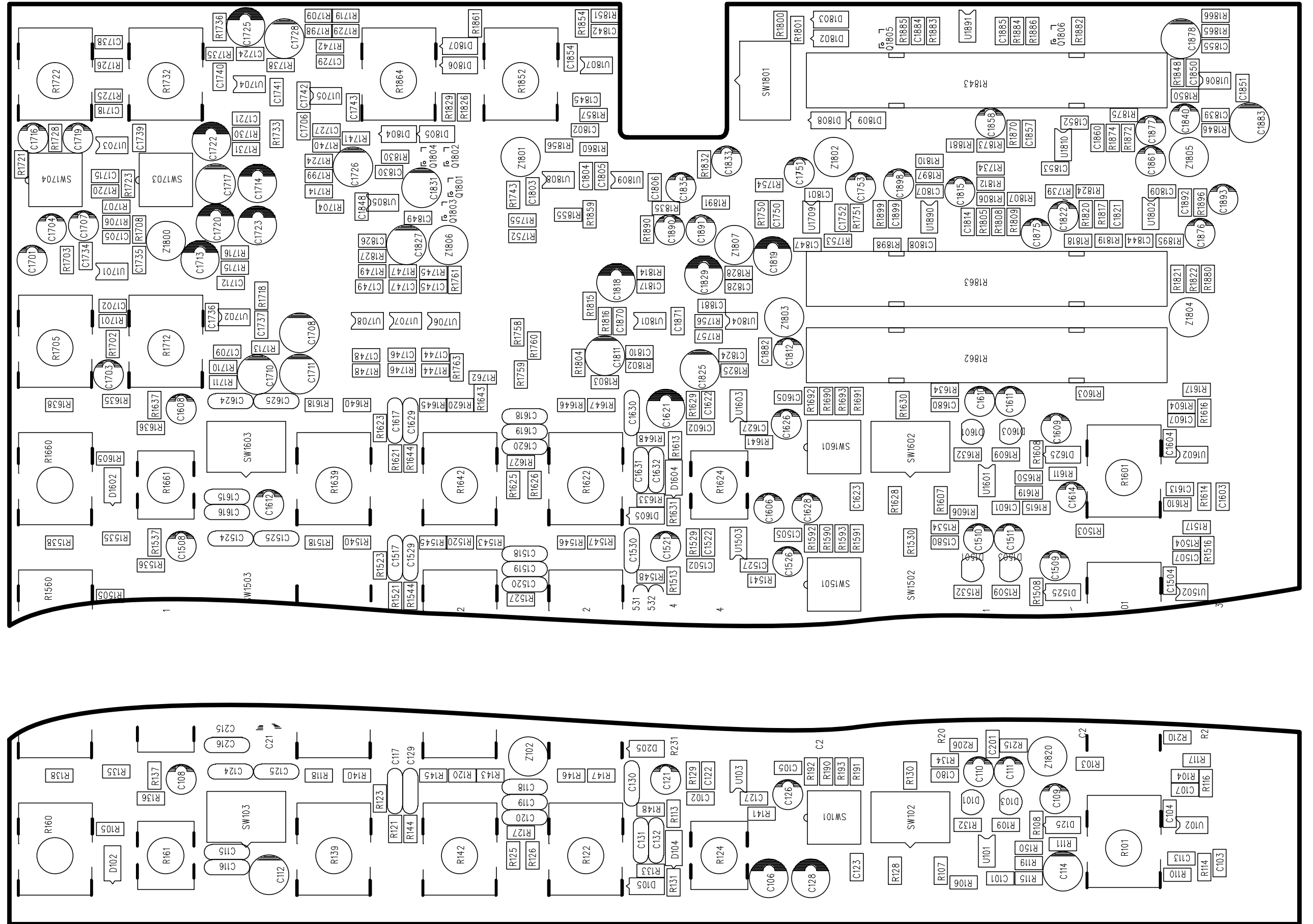
MASTER SECTION

CH 16

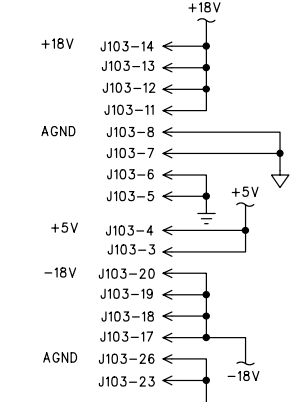
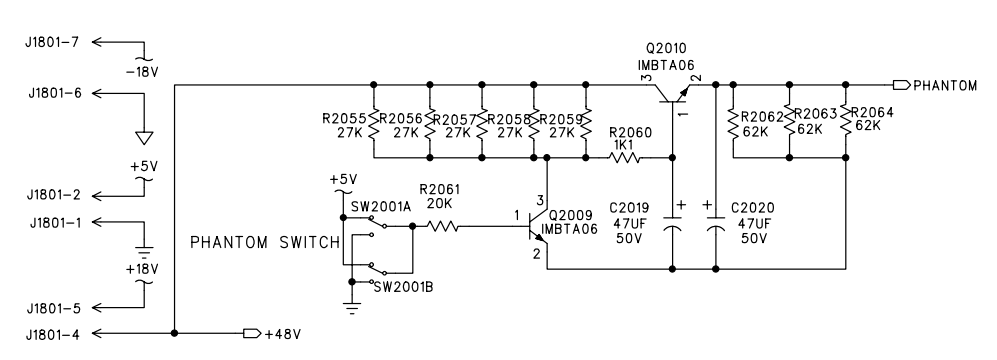
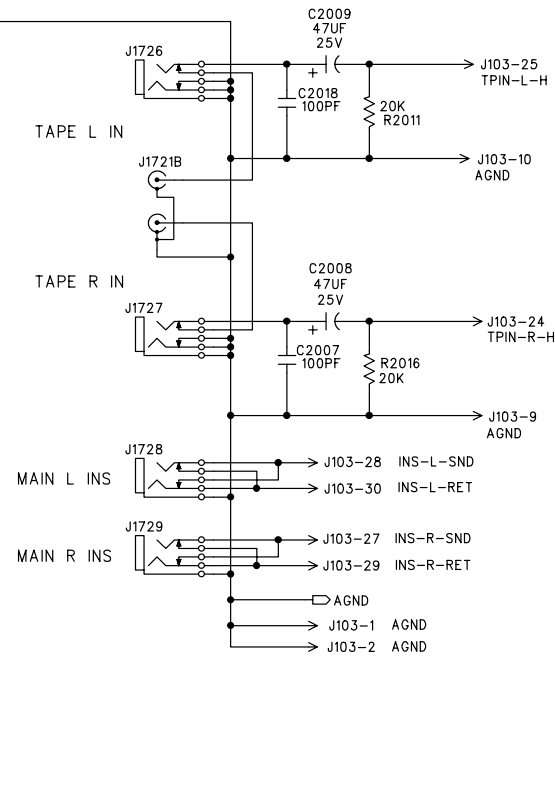
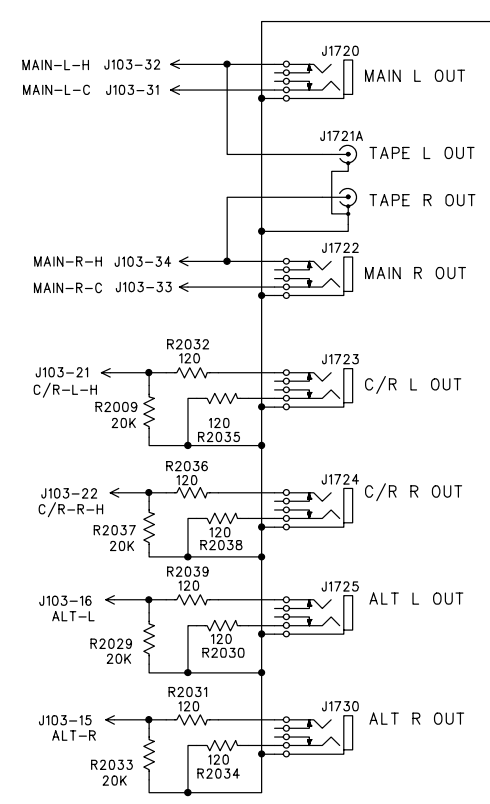
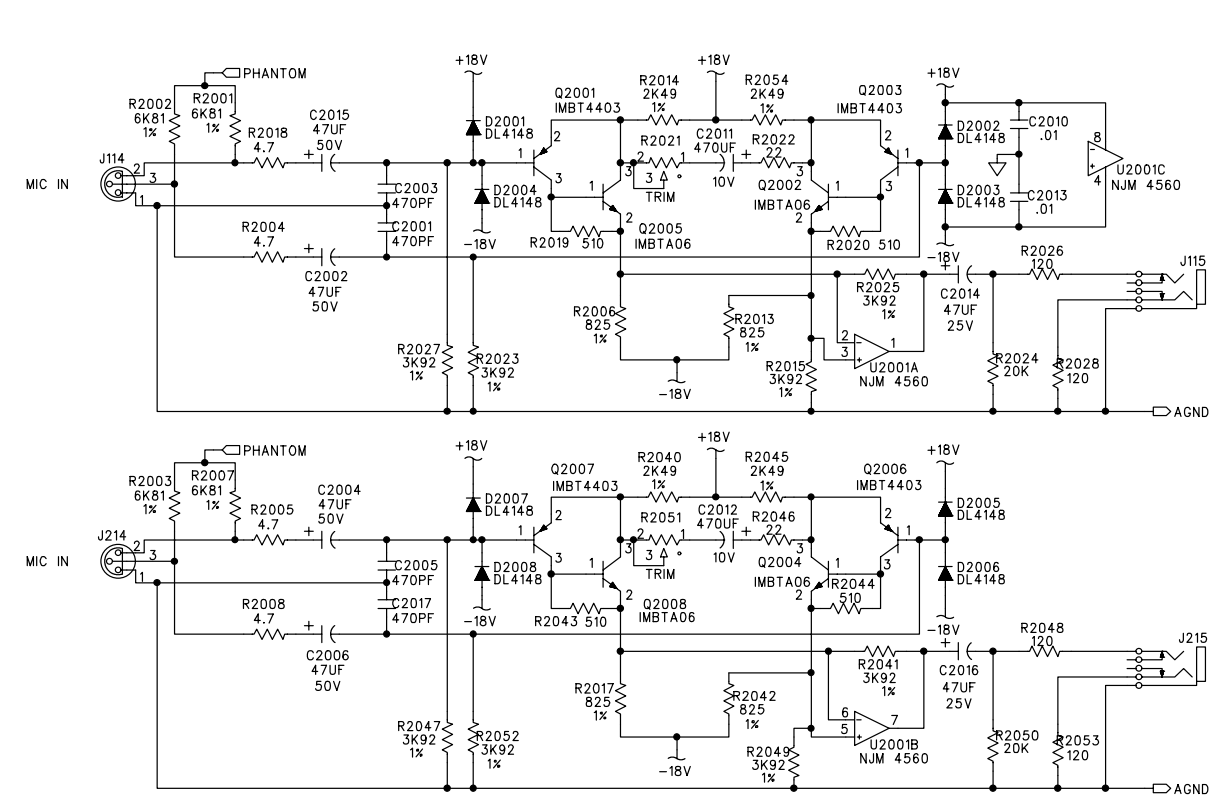
CH 15

CH 2

CH 1



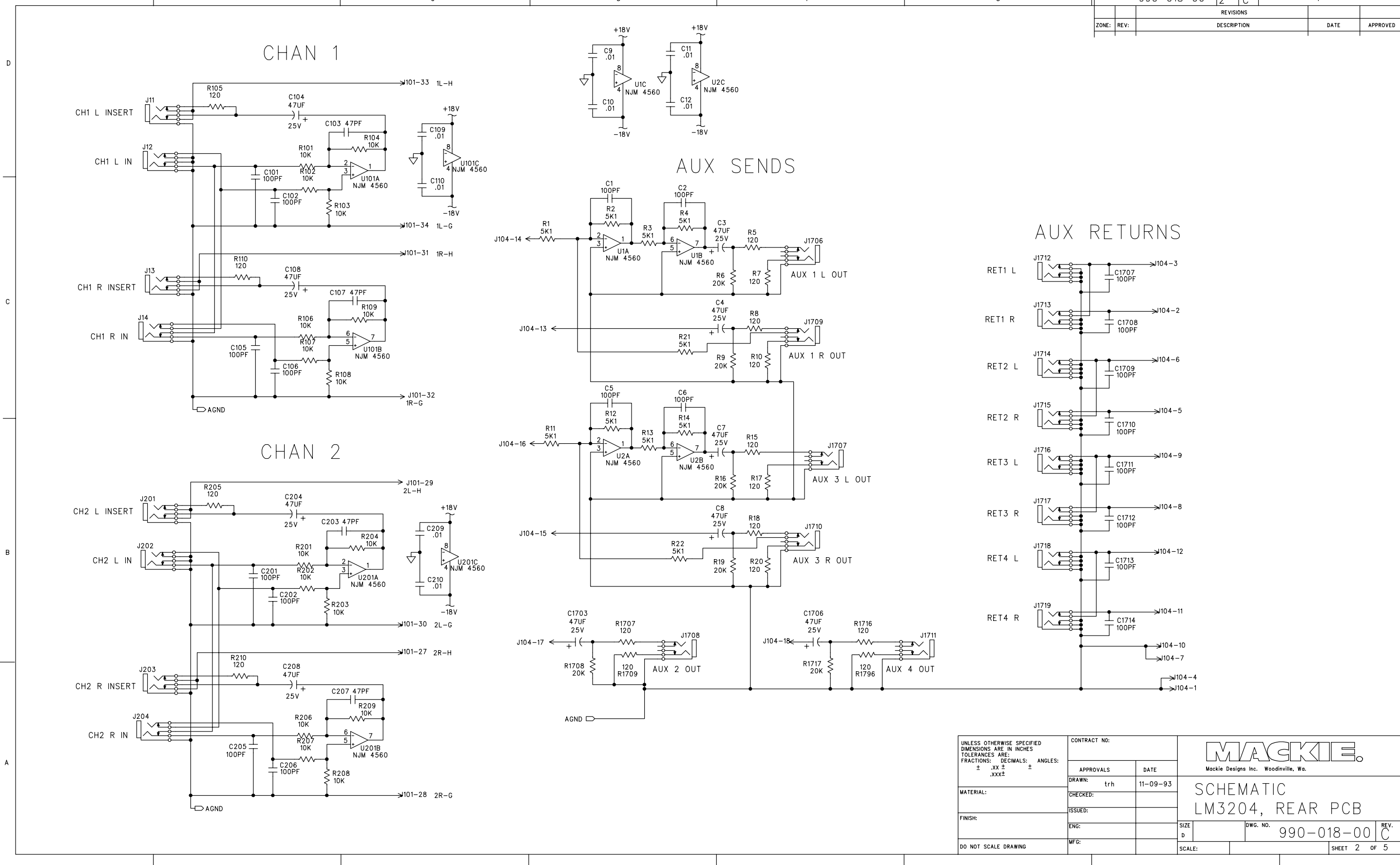
DWG. NO.	990-018-00	SHT	1	REV:	C	1
ECO#	REV:	DESCRIPTION	REV. BY:	APP. BY:	DATE	
	A	RELEASED TO PRODUCTION	TRH		8-12-94	
307	B	ADDED REF TO DIM	TRH		10-3-94	
308		R6,R16 WERE 120				
324		ADDED COMP OUTLINES TO SILKSCREEN				
334		MOVED STANDOFFS				
631	C	CONSOLIDATE SIMILAR PARTS	DD			
688		ENCREASED TOOLING HOLE SIZE				
716		CHG TYPE OF FIDUCIAL				
726		CHG FIXTURE STDOFF HOLE SIZE TO .089				
738		CHG TO SMOOTHER TAPER POT				
934		CHG BLK TO BLU JACKS				



- 760-015-00
EXTENDER, SWITCH BUTTON
- 760-003-00
BUTTON SW 9X5 MM
- 040-037-00
CABLE ASSY, 3204 POWER
- 450-018-00
PCB, LM3204 REAR BOARD

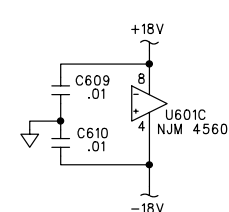
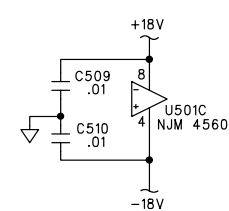
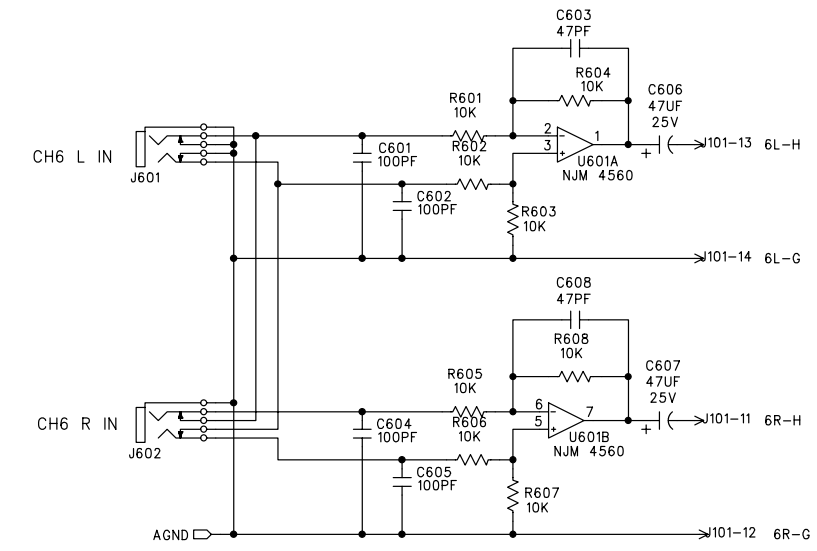
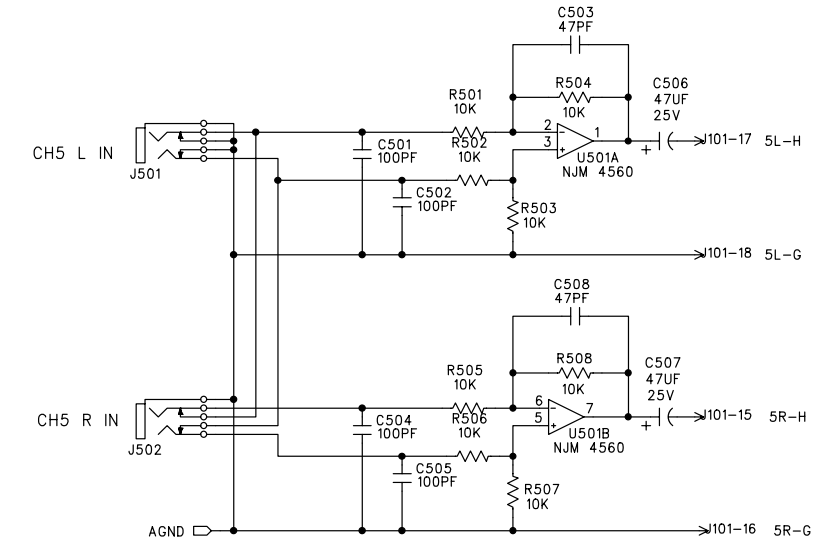
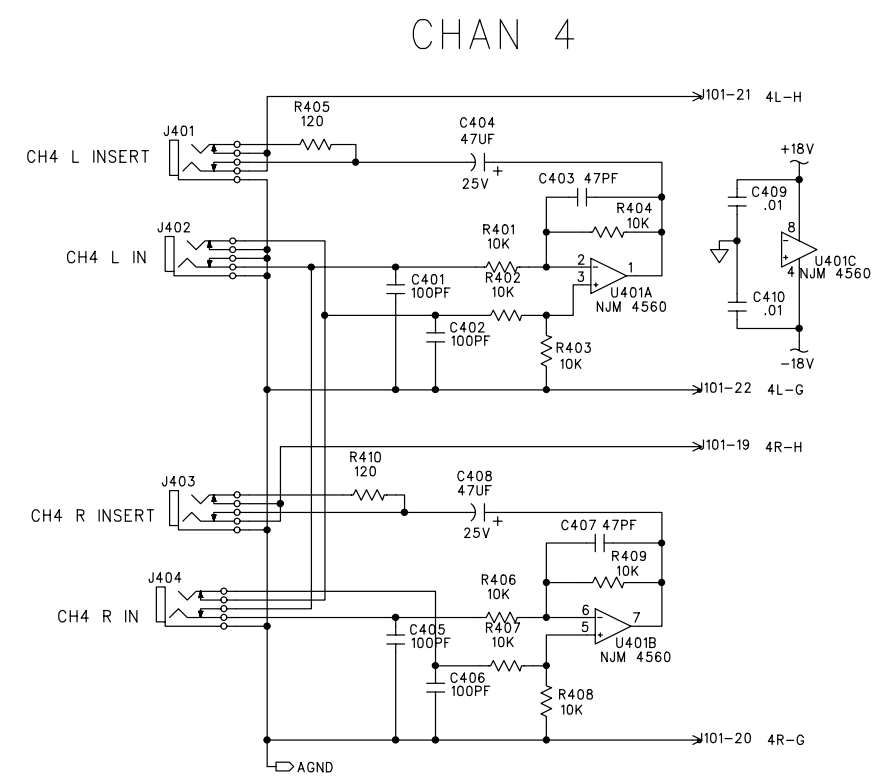
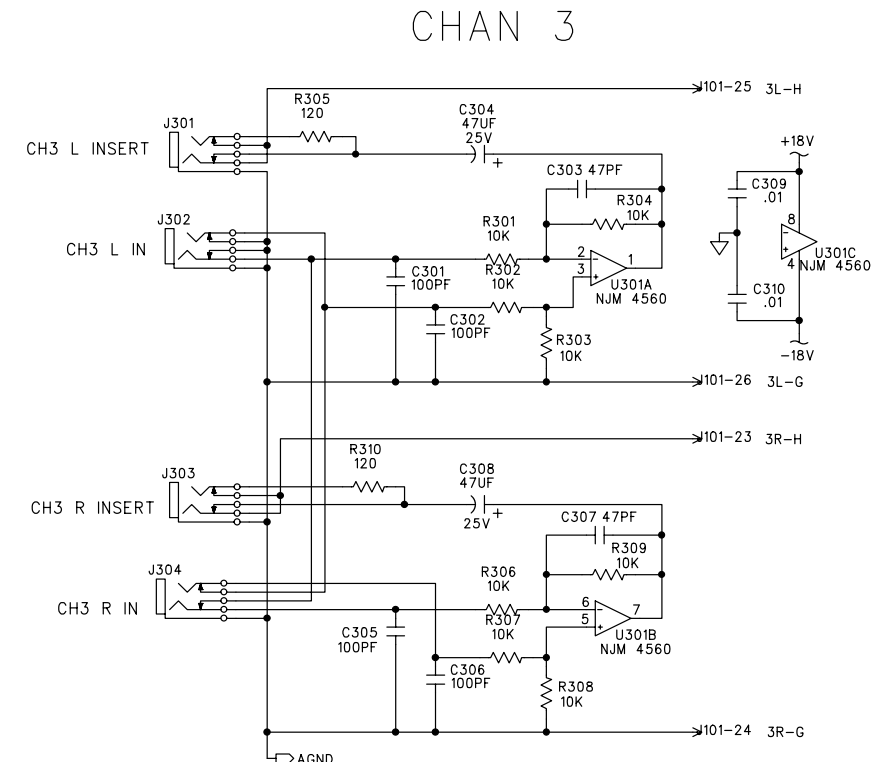
UNLESS OTHERWISE SPECIFIED DIMENSIONS ARE IN INCHES TOLERANCES ARE: FRACTIONS: DECIMALS: ANGLES: ±.NA .XX ±.01 ±NA .XXX ±.005	CONTRACT NO:		Mackie Designs Inc. Woodinville, Wa.		
	APPROVALS	DATE			
	MATERIAL:	CHECKED: LM	DATE: 9-9-94	SCHEMATIC LM3204, REAR PCB	
	FINISH:	ISSUED: CR	DATE: 9-9-94		
DO NOT SCALE DRAWING	ENG: JG	DATE: 9-9-94	SIZE: D	DWG. NO.: 990-018-00	
	MFG: AR	DATE: 9-9-94	SCALE: NONE	REV. C	

DWG. NO.	990-018-00	SHT	2	REV:	C
REVISIONS					
ZONE:	REV:	DESCRIPTION	DATE	APPROVED	



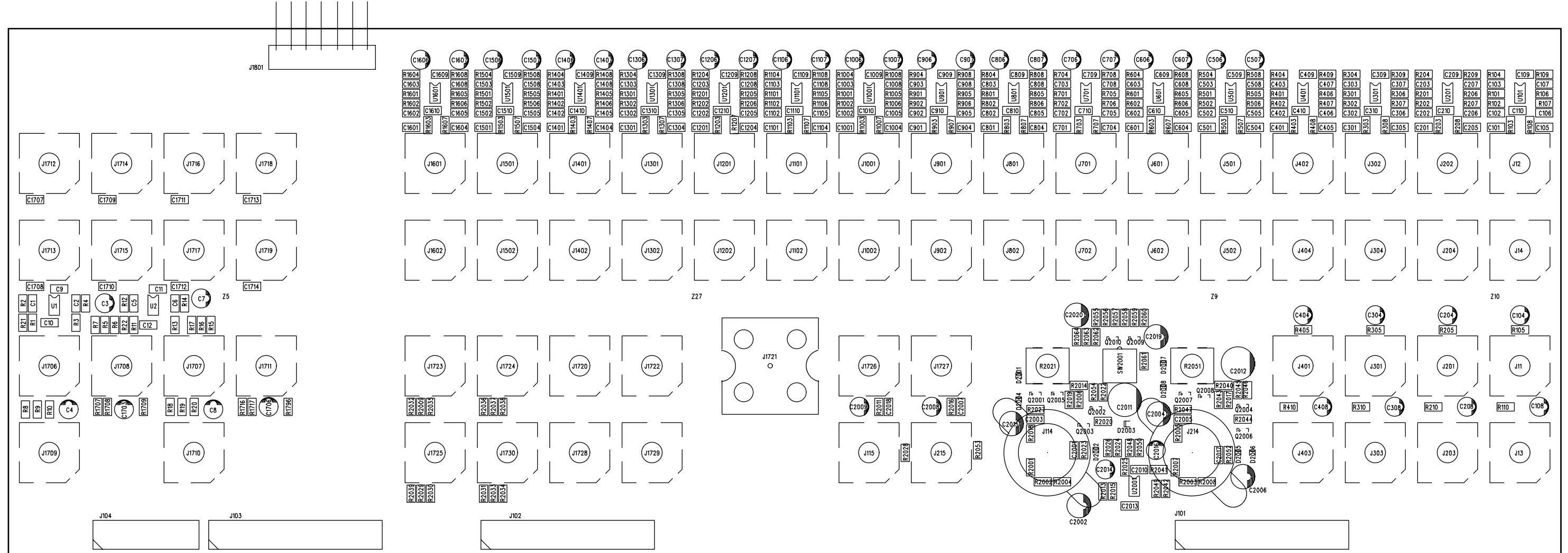
UNLESS OTHERWISE SPECIFIED DIMENSIONS ARE IN INCHES TOLERANCES ARE: FRACTIONS: DECIMALS: ANGLES: ± .xx ± ± .xxx ±	CONTRACT NO:		 Mackie Designs Inc. Woodville, Wa.	
	APPROVALS	DATE		
MATERIAL:	DRAWN: trh	11-09-93	SCHEMATIC LM3204, REAR PCB	
FINISH:	CHECKED:	ISSUED:	SIZE D	DWG. NO. 990-018-00 REV. C
DO NOT SCALE DRAWING	MFG:	SCALE:	SHEET 2 OF 5	

DWG. NO.	990-018-00	SHT	3	REV:	C	1
REVISIONS						
ZONE:	REV:	DESCRIPTION	DATE	APPROVED		



CH 7 to 16 are not shown, but they have the same schematic.
See overleaf for the connector pinouts and the printed circuit board.

UNLESS OTHERWISE SPECIFIED DIMENSIONS ARE IN INCHES TOLERANCES ARE: FRACTIONS: DECIMALS: ANGLES: ±.xx ± .xxx ±	CONTRACT NO:		MACKIE Mackie Designs Inc. Woodville, Wa.
	APPROVALS	DATE	
MATERIAL:	DRAWN: trh	11-09-93	SCHEMATIC LM3204 REAR
FINISH:	CHECKED:	ISSUED:	
DO NOT SCALE DRAWING	ENG:	MFG:	SIZE: D DWG. NO. 990-018-00 REV. C SCALE: SHEET 3 OF 5



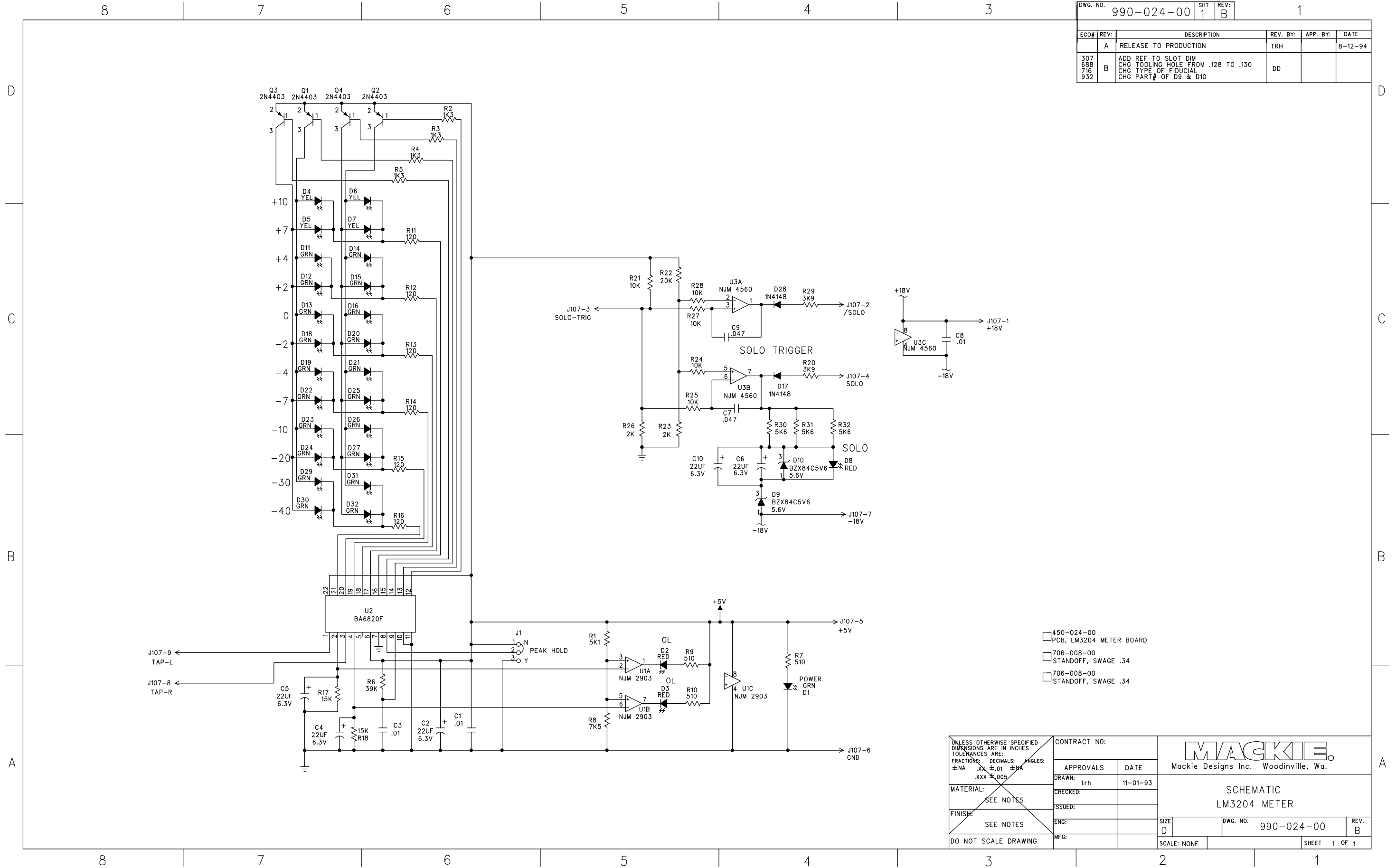
J101			
N/C	1	2	N/C
CH 8 R HOT	3	4	CH 8 R GND
CH 8 L HOT	5	6	CH 8 L GND
CH 7 R HOT	7	8	CH 7 R GND
CH 7 L HOT	9	10	CH 7 L GND
CH 6 R HOT	11	12	CH 6 R GND
CH 6 L HOT	13	14	CH 6 L GND
CH 5 R HOT	15	16	CH 5 R GND
CH 5 L HOT	17	18	CH 5 L GND
CH 4 R HOT	19	20	CH 4 R GND
CH 4 L HOT	21	22	CH 4 L GND
CH 3 R HOT	23	24	CH 3 R GND
CH 3 L HOT	25	26	CH 3 L GND
CH 2 R HOT	27	28	CH 2 R GND
CH 2 L HOT	29	30	CH 2 L GND
CH 1 R HOT	31	32	CH 1 R GND
CH 1 L HOT	33	34	CH 1 L GND

J102			
N/C	1	2	N/C
CH 16 R HOT	3	4	CH 16 R GND
CH 16 L HOT	5	6	CH 16 L GND
CH 15 R HOT	7	8	CH 15 R GND
CH 15 L HOT	9	10	CH 15 L GND
CH 14 R HOT	11	12	CH 14 R GND
CH 14 L HOT	13	14	CH 14 L GND
CH 13 R HOT	15	16	CH 13 R GND
CH 13 L HOT	17	18	CH 13 L GND
CH 12 R HOT	19	20	CH 12 R GND
CH 12 L HOT	21	22	CH 12 L GND
CH 11 R HOT	23	24	CH 11 R GND
CH 11 L HOT	25	26	CH 11 L GND
CH 10 R HOT	27	28	CH 10 R GND
CH 10 L HOT	29	30	CH 10 L GND
CH 9 R HOT	31	32	CH 9 R GND
CH 9 L HOT	33	34	CH 9 L GND

J103			
AGND	1	2	AGND
+5V	3	4	+5V
GND	5	6	GND
GND	7	8	GND
AGND	9	10	AGND
+16V	11	12	+16V
+16V	13	14	+16V
ALT R OUT	15	16	ALT L OUT
-18V	17	18	-18V
-18V	19	20	-18V
C/R L OUT	21	22	C/R R OUT
AGND	23	24	TAPE IN R
TAPE IN L	25	26	AGND
R INS SEND	27	28	L INS SEND
R INS RTN	29	30	L INS RTN
L MAIN OUT -	31	32	L MAIN OUT +
R MAIN OUT -	33	34	R MAIN OUT +

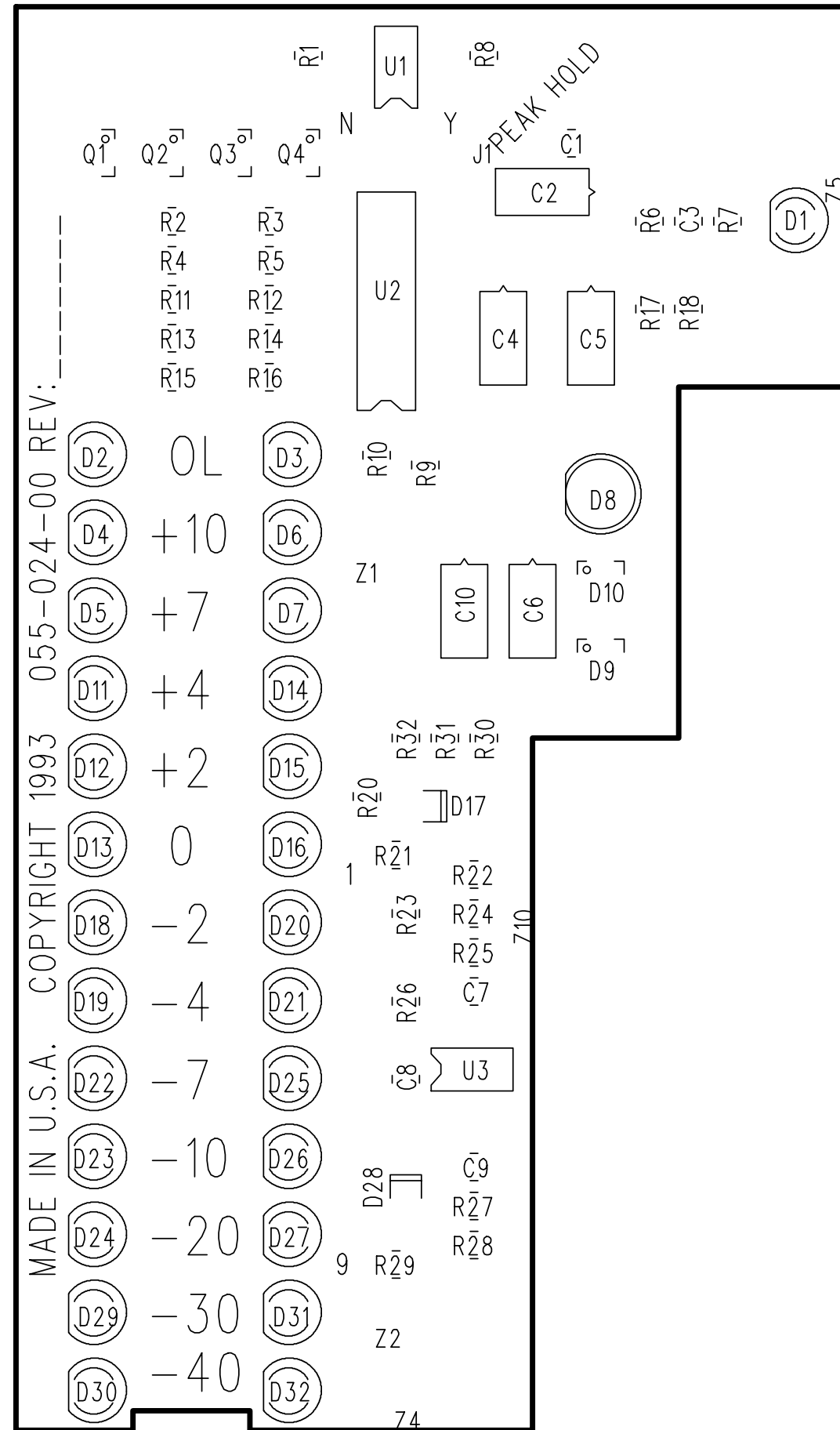
J104			
AGND	1	2	AUX RTN 1 R
AUX RTN 1 L	3	4	AGND
AUX RTN 2 R	5	6	AUX RTN 2 L
AGND	7	8	AUX RTN 3 R
AUX RTN 3 L	9	10	AGND
AUX RTN 4 R	11	12	AUX RTN 4 L
AUX SEND 1 R	13	14	AUX SEND 1 L
AUX SEND 3 R	15	16	AUX SEND 3 L
AUX 2 SEND	17	18	AUX 4 SEND
N/C	19	20	N/C

DWG. NO.	990-024-00	SHT	1	REV:	B	1
ECO#	REV:	DESCRIPTION	REV. BY:	APP. BY:	DATE	
	A	RELEASE TO PRODUCTION	TRH		8-12-94	
307	B	ADD REF TO SLOT DIM				
688		CHG TOOLING HOLE FROM .128 TO .130				
716		CHG TYPE OF FIDUCIAL				
932		CHG PART# OF D9 & D10				

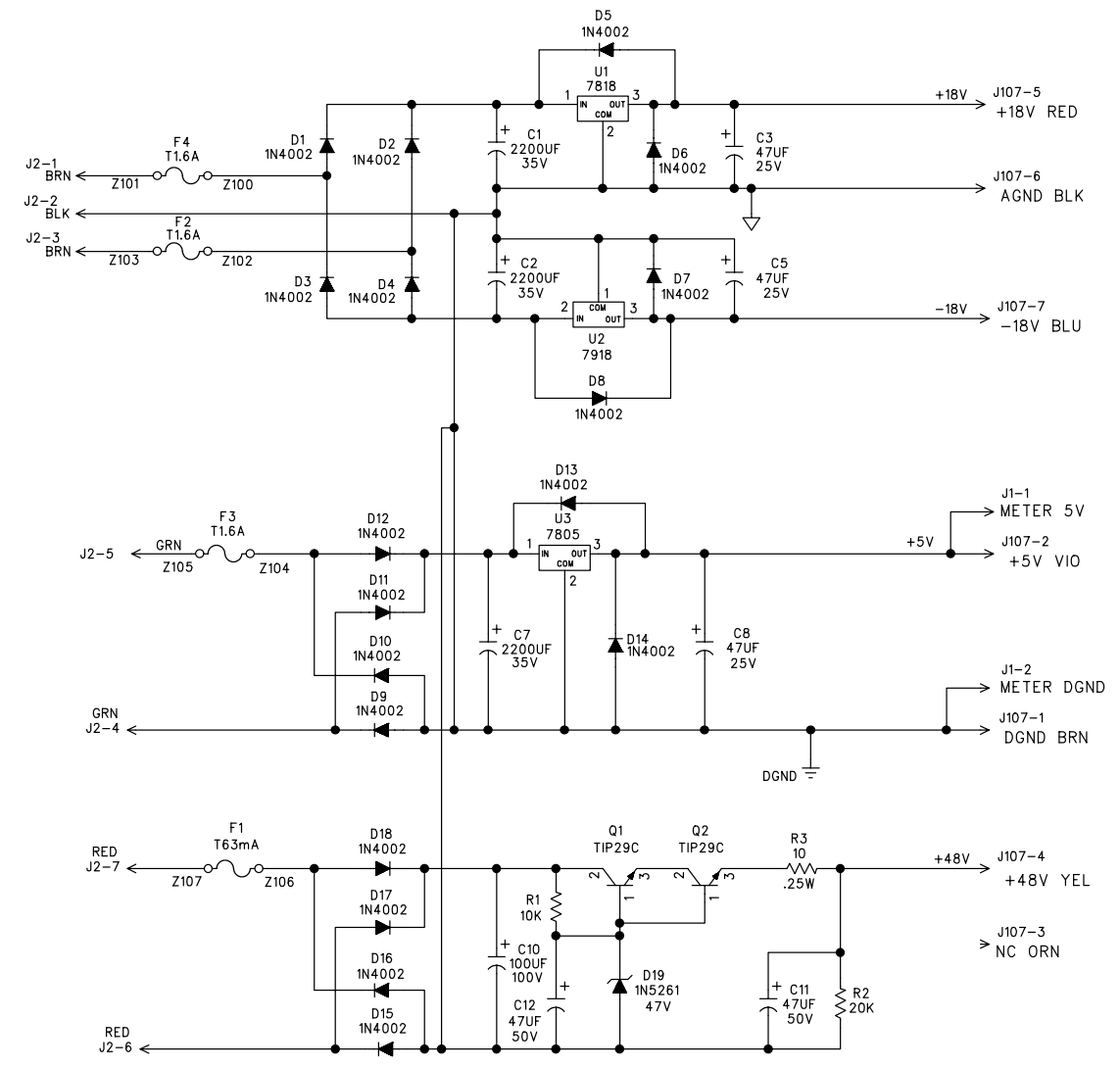


- 450-024-00 PCB, LM3204 METER BOARD
- 706-008-00 STANDOFF, SWAGE .34
- 706-008-00 STANDOFF, SWAGE .34

UNLESS OTHERWISE SPECIFIED DIMENSIONS ARE IN INCHES TOLERANCES ARE: FRACTIONS: DECIMALS: ANGLES: ±NA .XX ±.01 ±NA .XXX ±.005	CONTRACT NO:		MACKIE Mackie Designs Inc. Woodinville, Wa.		
	APPROVALS	DATE			
	MATERIAL: SEE NOTES	CHECKED: trh	11-01-93	SCHEMATIC LM3204 METER	
	FINISH: SEE NOTES	ISSUED:			
DO NOT SCALE DRAWING	ENG:		SIZE D	DWG. NO. 990-024-00	REV. B
	MFG:		SCALE: NONE	SHEET 1 OF 1	



DWG. NO:	990-025-00	SHT	1	REV:	B	1
REV:	ECO#	DESCRIPTION	REV. BY:	APP. BY:	DATE	
A		RELEASED TO PRODUCTION	TRH		8-10-94	
B	326 407 607 688 895	MOVE CAPS FOR HOT MELT PHANTOM POWER ZENER TO 47V 2200/25V CAPS TO 35V TOOLING HOLES FROM .128 TO .130 ADD TIP29C FOR SAFETY	KR		3-6-96	



- 450-025-00 PCB, LM3204 POWER SUPPLY
- 410-002-00 SILPAD
- 410-002-00 SILPAD
- 410-002-00 SILPAD
- 550-126-00 CLAMP
- 550-123-00 HEATSINK BRACKET
- 700-023-00 SCREW, 6-32 X .50
- 700-023-00 SCREW, 6-32 X .50

UNLESS OTHERWISE SPECIFIED DIMENSIONS ARE IN INCHES TOLERANCES ARE: FRACTIONS: .XX ±.01 ±.01 DECIMALS: .xxx ±.005 ANGLES: ±.1° MATERIAL: SEE NOTES FINISH: SEE NOTES DO NOT SCALE DRAWING	CONTRACT NO:		MACKIE Mackie Designs Inc. Woodinville, Wa.	
	APPROVALS	DATE		
	DRAWN: trh	6-15-94	SCHEMATIC LM3204 POWER SUPPLY	
	CHECKED: LM	9-9-94		
ISSUED: CR	9-9-94	SIZE D	DWG. NO. 990-025-00	REV. B
ENG: JGG	9-9-94	SCALE: NONE	SHEET 1 OF 1	
MFG: AR	9-9-94			

