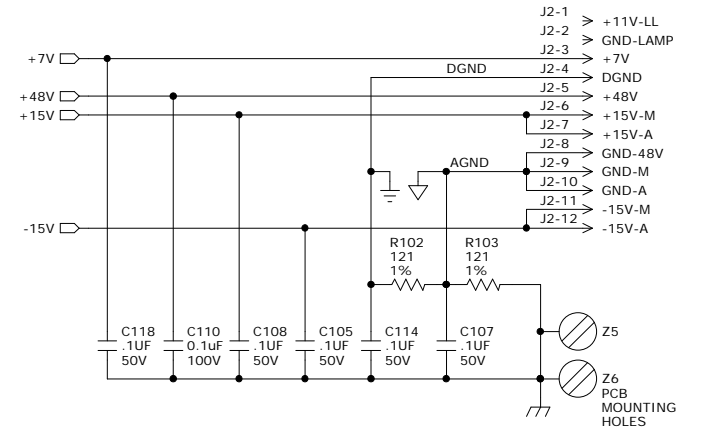


OUTPUT CONNECTIONS



NOTE:
 HS* = HEATSINK MOUNTED COMPONENT
 ALL SOLDER SIDE COMPONENTS BEGIN AT REFERENCE # 100.

- QTY A/R THERMAL COMPOUND 730-001-00
- FC2 FUSE CLIP PCMT 5MM DIA 400-060-00
- FC1 FUSE CLIP PCMT 5MM DIA 400-060-00
- PCB1 PCB FAB ONYXI MEDIUM SUPPLY 2036155-00
- Z99 JET MELT 3M 3779-Q 730-038-00

- HS5 HEATSINK TO220 SCR MNT 712-042-00
- HS4 HEATSINK TO220 SCR MNT 712-042-00
- HS3 HEATSINK TO220 SCR MNT 712-042-00
- HS2 HEATSINK TO220 SCR MNT 712-042-00
- HS1 HEATSINK TO220 7.1C/W 25.4 X 41.9 X 25.4 PCB 2036195

- SCR M3 X 8MM PAN MCH EXT SEMS PH STL CL ZINC 0007794-08
- NUT/HEX/M3[DIN934] 0010036
- LBL1 LBL IEC POWER RATING -100-240VAC 50-60Hz 75W 0017668-09
- LBL2 LBL SERIAL NUMBER GENERIC 35mm X 9.5mm 0032856
- FIBERGLASS SLEEVING .036 ID 0008517
- SCREW M3 X 8MM PAN MCH PH STL BLK 0000623-08
- NUT HEX KEP M3 0000659

- COMP1 COMP PACK MACKIE ONYXI POWER SUPPLIES COMPO583
- SCH1 SCHEMATIC PCB ASSY ONYXI MEDIUM SUPPLY 2036156-XX
- PCB TEST SYSTEM ONYXI MEDIUM SUPPLY D01227

© 2010 LOUD TECHNOLOGIES INC.
 ALL RIGHTS RESERVED
 THE INFORMATION CONTAINED HEREIN IS PROPRIETARY AND CONFIDENTIAL PROPERTY OF LOUD TECHNOLOGIES INC.

| APPROVALS | DATE |
|------------------|---------|
| DRAWN: Cam Jones | 8-13-10 |
| CHECKED: | |
| NP ENG: | |
| MATERIAL: | |
| MFG: | |
| MFG ENG: | |
| ISSUED: | |



SCHEMATIC, ONYXI-I MEDIUM SUPPLY (100-240_VAC_INPUT)

| | | | |
|------------------------------|-------------|---------------------|----------|
| SIZE: D | SCALE: NONE | DWG. NO. 2036156-XX | REV. A01 |
| DWG FILE: 2036156-XX-A01.sch | | SHEET 1 OF 1 | |