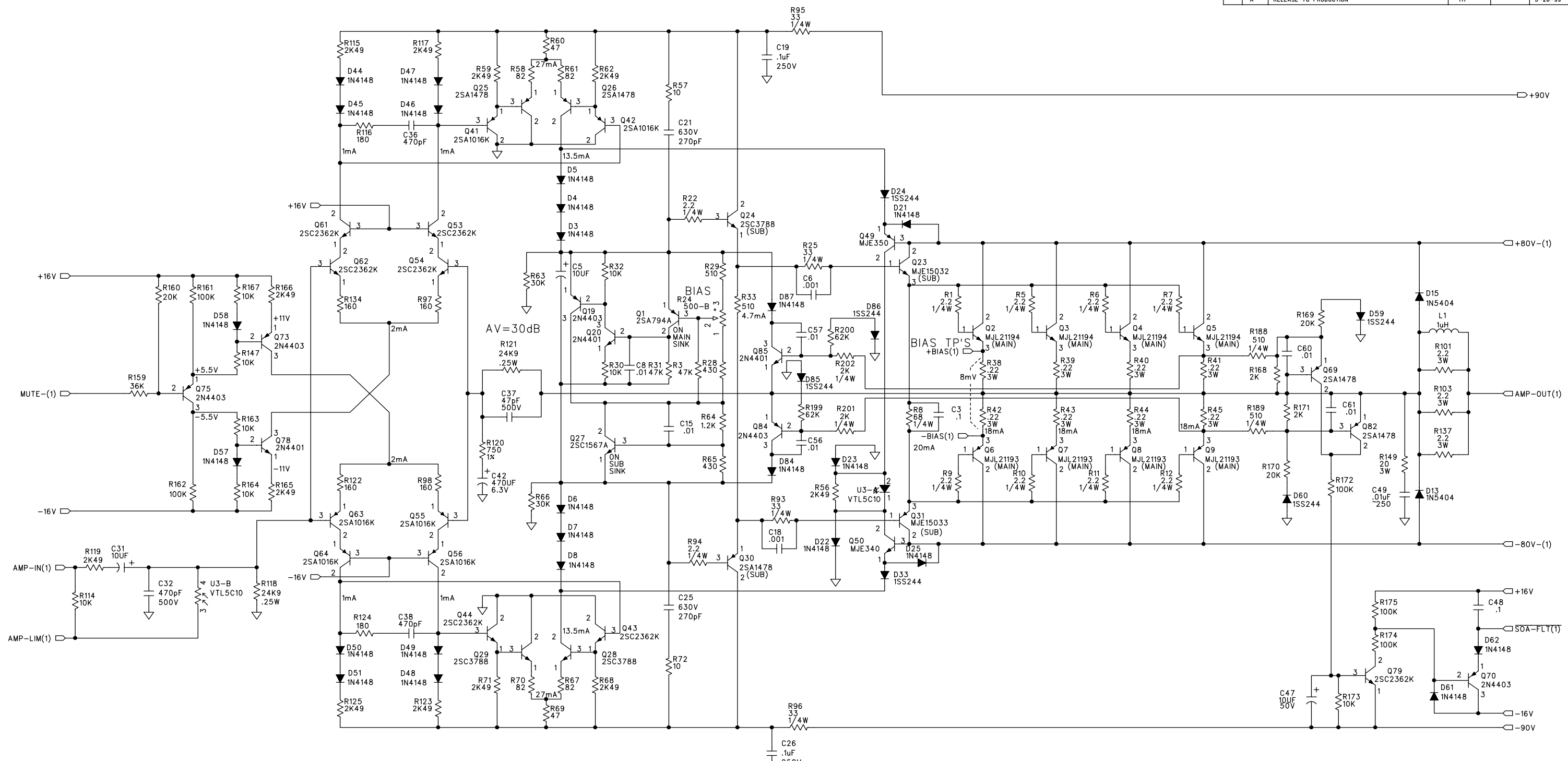


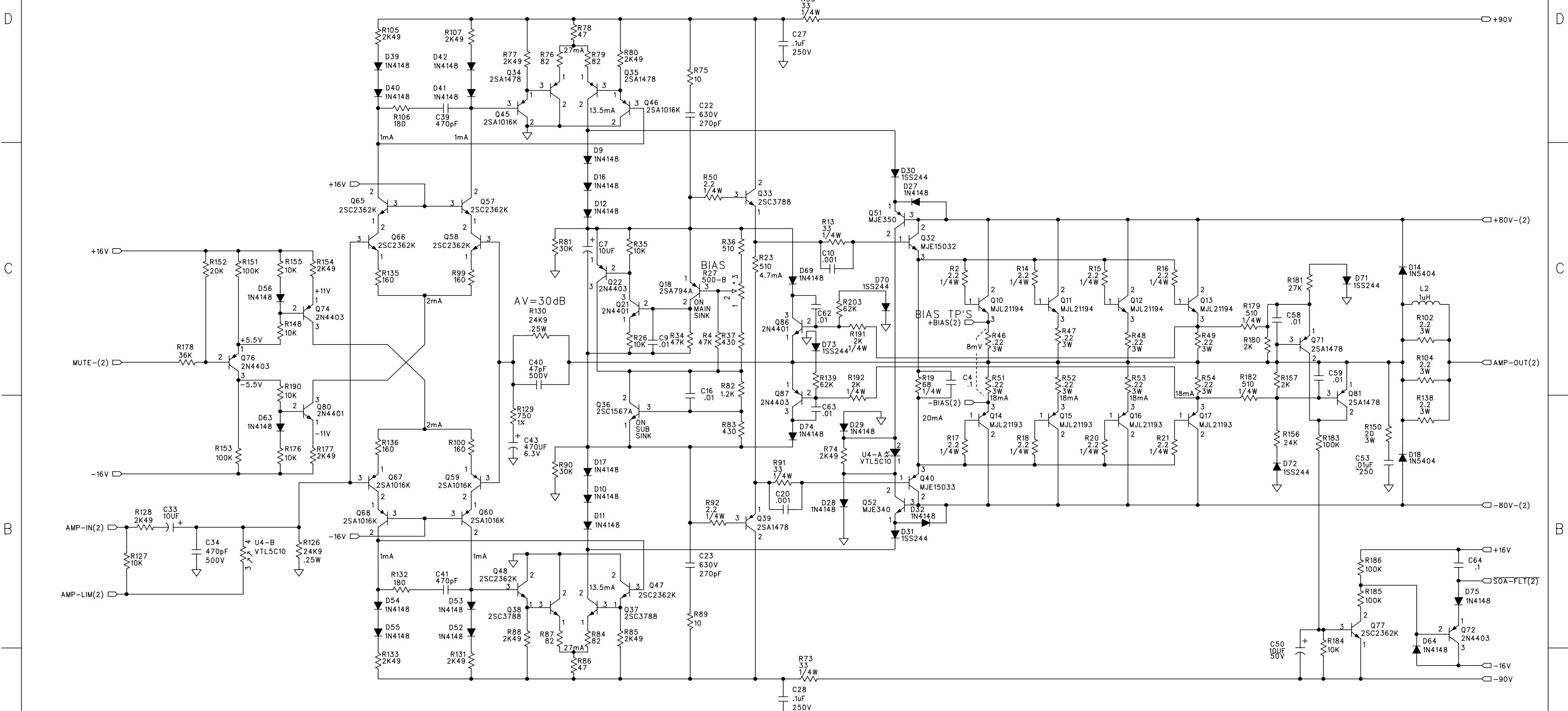
DWG. NO.	990-255-00	SHT	1	REV:	A	1
REV:	ECO#	DESCRIPTION	REV. BY:	APP. BY:	DATE	
1		MADE FROM 990-081-00 W/ DESIGNS CHANGES. INCORP ECOS: 1092,1098, 1142, 1170, 1203, 104, 1359, 1400, 1433 218, 2134	WGW		2-12-99	
A		RELEASE TO PRODUCTION	TH		3-28-99	



- 450-255-00 PCB, MAIN M-1400-S2
- 400-080-00 FUSE CLIP PC MT 5mm DIA
- 400-129-00 FUSE CLIP PC MT .25" DIA

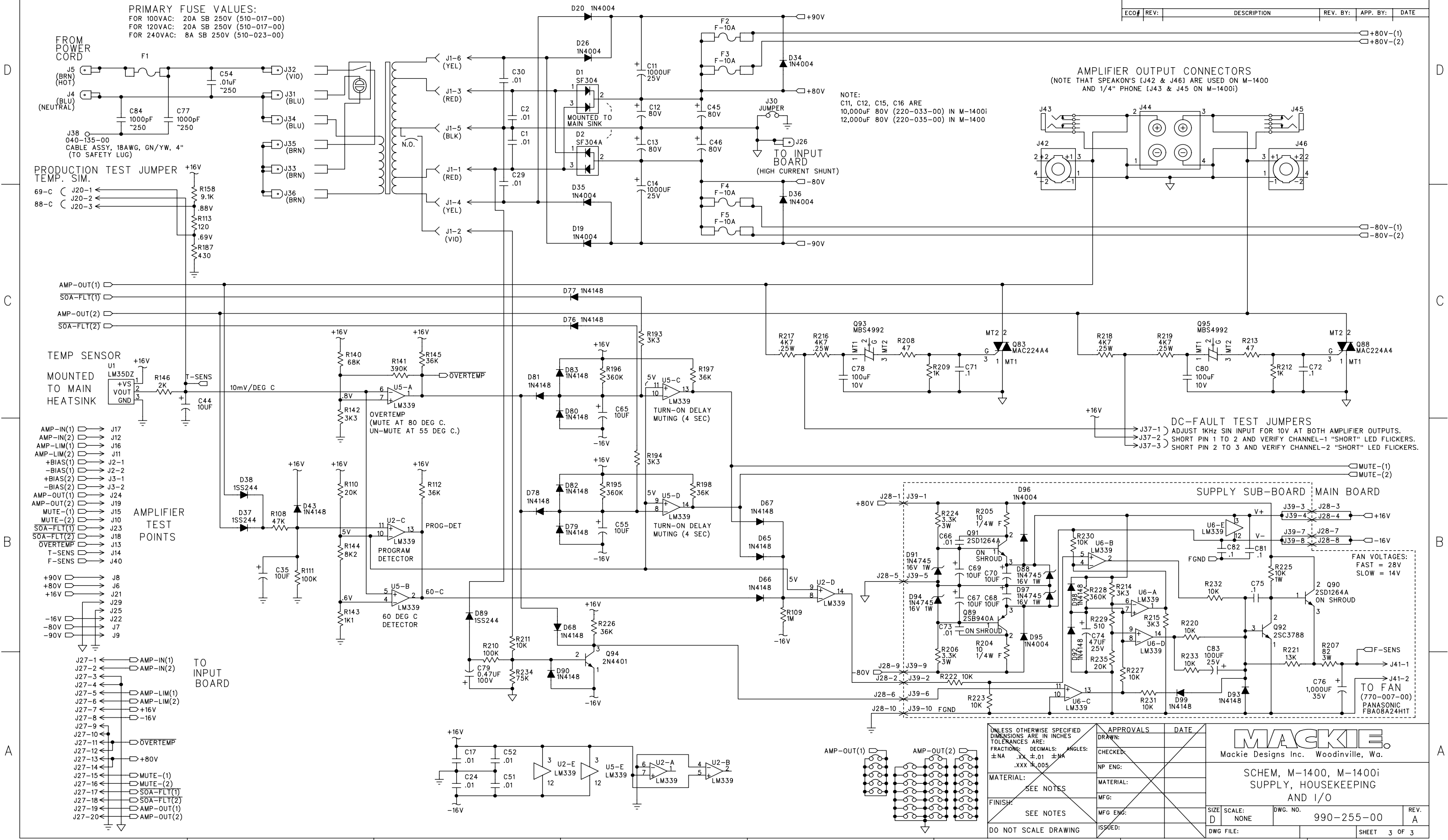
UNLESS OTHERWISE SPECIFIED DIMENSIONS ARE IN INCHES TOLERANCES ARE: FRACTIONS: DECIMALS: ANGLES: ±NA .XX ±.01 ±NA .XXX ±.005	APPROVALS DRAWN: Cam Jones CHECKED: NP ENG: MATERIAL: MFG: MFG ENG: ISSUED:	DATE 1-22-99
MATERIAL: SEE NOTES		
FINISH: SEE NOTES		
DO NOT SCALE DRAWING		

MACKIE Mackie Designs Inc. Woodinville, Wa.	
SCHEM, M-1400, M-1400i CH-1 MAIN AMP	
SIZE: D	SCALE: NONE
DWG. NO. 990-255-00	REV. A
DWG FILE:	SHEET 1 OF 3



UNLESS OTHERWISE SPECIFIED DIMENSIONS ARE IN INCHES TOLERANCES ARE: FRACTIONS: DECIMALS: ANGLES: ±NA .XX ±.01 ±MA .XXX ±.005 MATERIAL: SEE NOTES FINISH: SEE NOTES DO NOT SCALE DRAWING	APPROVALS	DATE	<p>SCHEM, M-1400, M-1400i CH-2 MAIN AMP</p>
	DRAWN:		
	CHECKED:		
	NP ENG:		
	MATERIAL:		
MFG:			
MFG ENG:			
ISSUED:			
SIZE: D	SCALE: NONE	DWG. NO. 990-255-00	REV. A
DWG FILE:		SHEET 2 OF 3	

ECO#	REV.	DESCRIPTION	REV. BY:	APP. BY:	DATE



PRIMARY FUSE VALUES:
 FOR 100VAC: 20A SB 250V (510-017-00)
 FOR 120VAC: 20A SB 250V (510-017-00)
 FOR 240VAC: 8A SB 250V (510-023-00)

AMPLIFIER OUTPUT CONNECTORS
 (NOTE THAT SPEAKON'S [J42 & J46] ARE USED ON M-1400
 AND 1/4" PHONE [J43 & J45 ON M-1400i])

NOTE:
 C11, C12, C15, C16 ARE
 10,000uF 80V (220-033-00) IN M-1400i
 12,000uF 80V (220-035-00) IN M-1400

DC-FAULT TEST JUMPERS
 J37-1) ADJUST 1KHz SIN INPUT FOR 10V AT BOTH AMPLIFIER OUTPUTS.
 J37-2) SHORT PIN 1 TO 2 AND VERIFY CHANNEL-1 "SHORT" LED FLICKERS.
 J37-3) SHORT PIN 2 TO 3 AND VERIFY CHANNEL-2 "SHORT" LED FLICKERS.

- AMPLIFIER TEST POINTS
- AMP-IN(1) → J17
 - AMP-IN(2) → J12
 - AMP-LIM(1) → J16
 - AMP-LIM(2) → J11
 - +BIAS(1) → J2-1
 - +BIAS(2) → J2-2
 - BIAS(1) → J3-1
 - BIAS(2) → J3-2
 - AMP-OUT(1) → J24
 - AMP-OUT(2) → J19
 - MUTE-(1) → J15
 - MUTE-(2) → J10
 - SOA-FLT(1) → J23
 - SOA-FLT(2) → J18
 - OVERTEMP → J13
 - T-SENS → J14
 - F-SENS → J40

- +90V → J8
- +80V → J6
- +16V → J21
- 16V → J29
- 80V → J25
- 90V → J7

- TO INPUT BOARD
- J27-1 → AMP-IN(1)
 - J27-2 → AMP-IN(2)
 - J27-3 → AMP-LIM(1)
 - J27-4 → AMP-LIM(2)
 - J27-5 → +16V
 - J27-6 → -16V
 - J27-7 → MUTE-(1)
 - J27-8 → MUTE-(2)
 - J27-9 → SOA-FLT(1)
 - J27-10 → SOA-FLT(2)
 - J27-11 → AMP-OUT(1)
 - J27-12 → AMP-OUT(2)

UNLESS OTHERWISE SPECIFIED DIMENSIONS ARE IN INCHES TOLERANCES ARE:
 FRACTIONS: DECIMALS: ANGLES:
 ±.NA .XX ±.01 ±.MA .XXX ±.005

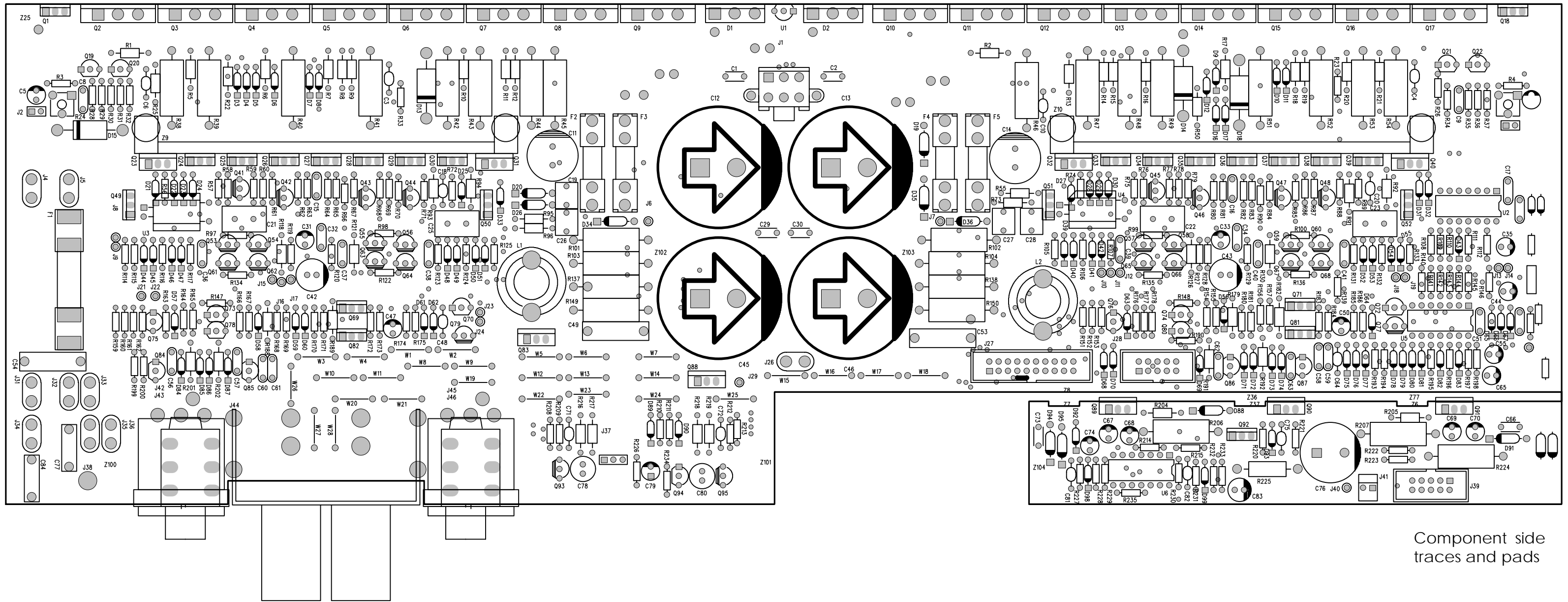
APPROVALS	DATE
CHECKED:	
NP ENG:	
MATERIAL:	
MFG:	
MFG ENG:	
ISSUED:	

DO NOT SCALE DRAWING

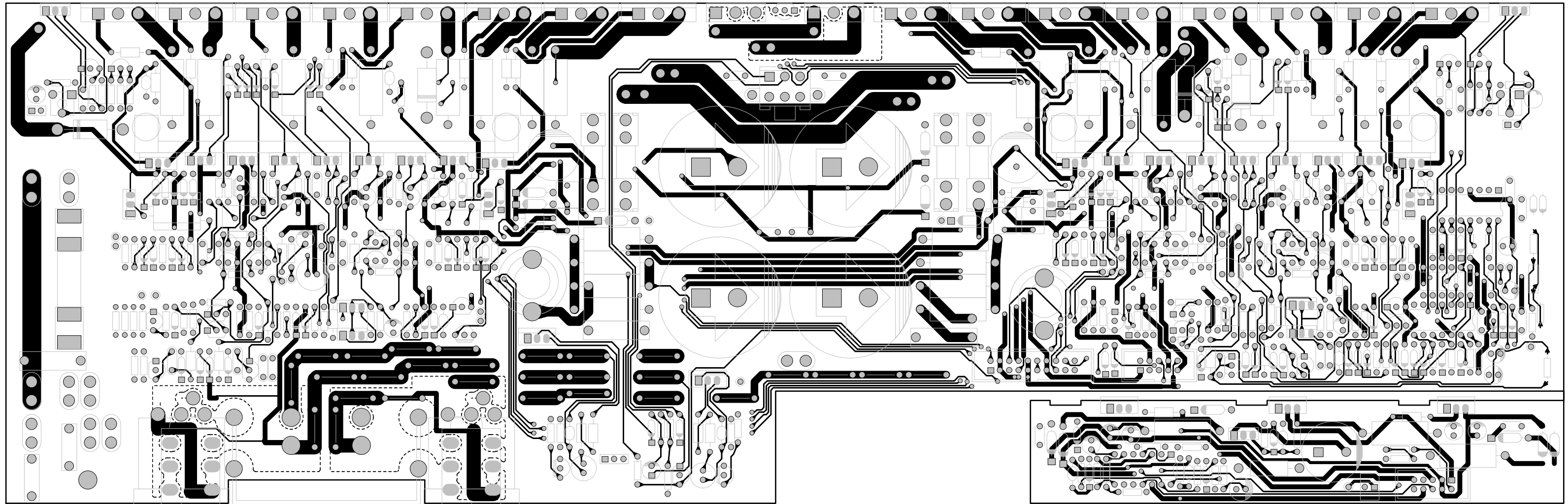
MACKIE
 Mackie Designs Inc. Woodinville, Wa.

SCHEM, M-1400, M-1400i
 SUPPLY, HOUSEKEEPING
 AND I/O

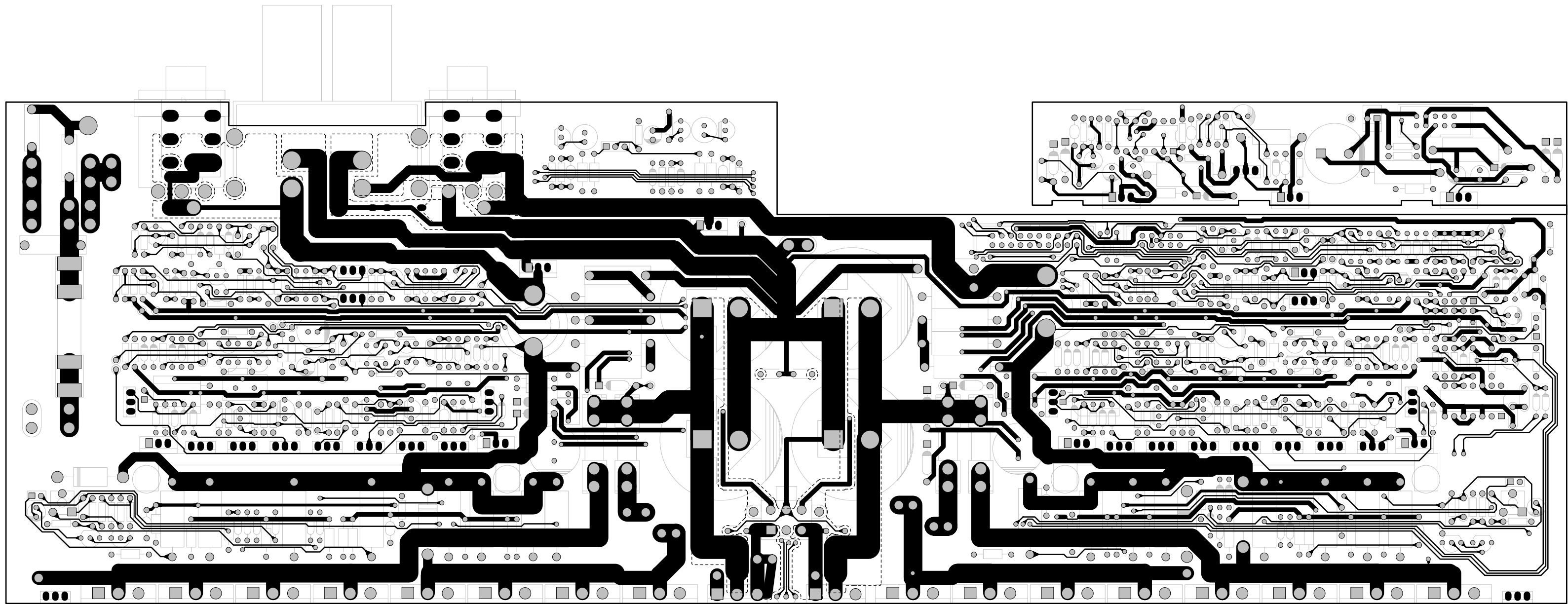
SIZE: D SCALE: NONE DWG. NO. 990-255-00 REV. A
 DWG FILE: SHEET 3 OF 3



Component side
traces and pads



Component side
traces and pads



Solder side
traces and pads