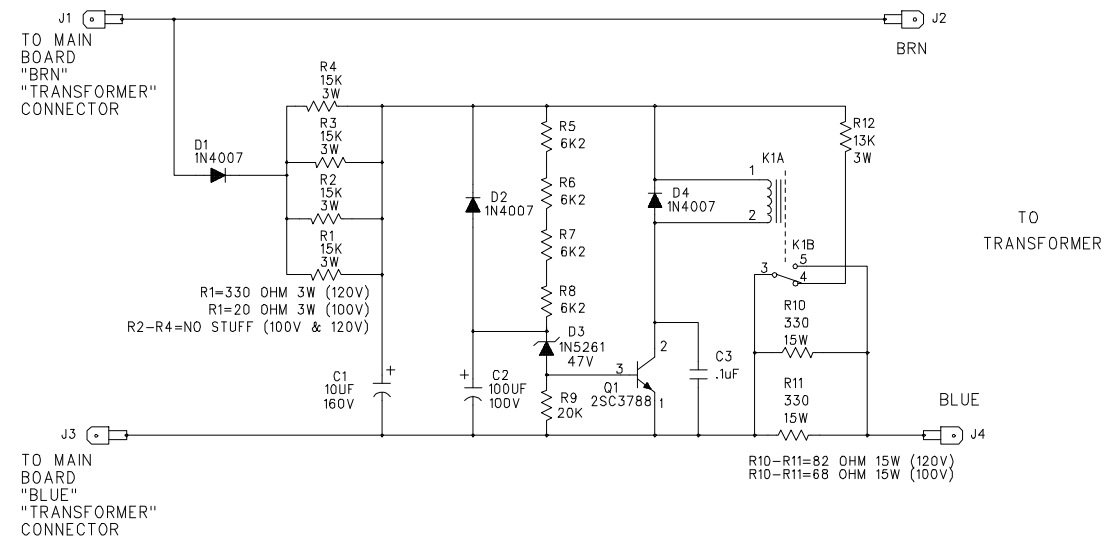


DWG. NO.	990-162-00	SHT	1	REV:	A	1
ECO#	REV:	DESCRIPTION	REV. BY:	APP. BY:	DATE	

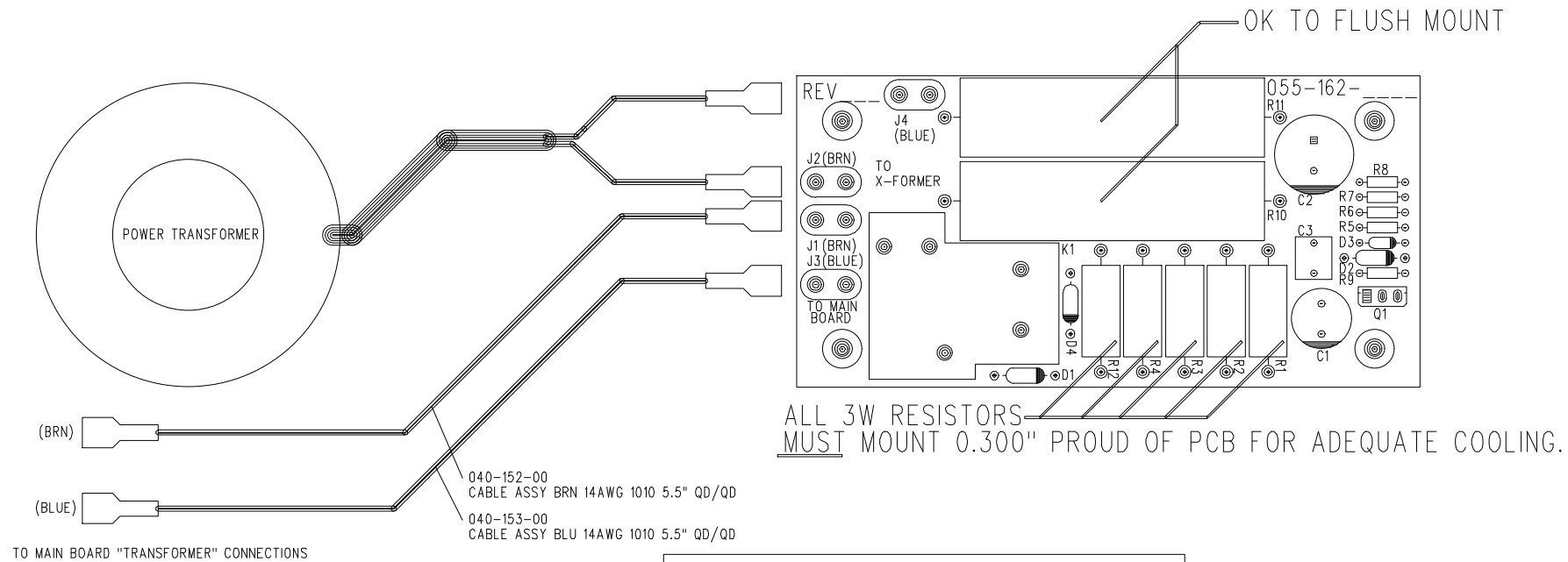


NOTE: SCHEMATIC IS SHOWN WITH 240VAC VALUES

- **NO STUFF R2-R4 FOR 100VAC OR 120VAC VERSIONS**
XXX
- **REPLACES R10-R11 FOR 120VAC VERSION**
82 15W
- **REPLACES R1 FOR 120VAC VERSION**
330 3W
- **REPLACES R10-R11 FOR 100VAC VERSION**
68 15W
- **REPLACES R1 FOR 100VAC VERSION**
20 3W
- PCB, M-1200/M-1400 SOFT START

UNLESS OTHERWISE SPECIFIED DIMENSIONS ARE IN INCHES TOLERANCES ARE: FRACTIONS: DECIMALS: ANGLES: ±NA .XX ±.01 ±NA .XXX ±.005	APPROVALS	DATE	 Mackie Designs Inc. Woodinville, Wa.
	DRAWN: Chuck J	4-15-97	
	CHECKED:		
	NP ENG: Cameron Jones	4-25-97	
MATERIAL:	MATERIAL:		SCHEMATIC, M1400 SOFT START
SEE NOTES	MFG:		
SEE NOTES	MFG ENG:		
DO NOT SCALE DRAWING	ISSUED:		SIZE: D SCALE: NONE DWG. NO. 990-162-00 REV. A DWG FILE: SHEET 1 OF 1

DWG. NO.	055-162-00	SHT	1	REV:	A	1
REVISIONS						
ECO#	REV:	DESCRIPTION	REV. BY:	APP. BY:	DATE	



DIFFERENCES IN ASSEMBLY FOR VARIOUS VOLTAGES			
AC-PRIMARY VOLTAGE	240VAC	120VAC	100VAC
ASSEMBLY NUMBER	055-162-01	055-162-00	055-162-02
R1 VALUE	15K 5% 3W MOF 123-125-00	330 5% 3W MOF 123-085-00	20 5% 3W MOF 123-056-00
R2-R4 VALUES	15K 5% 3W MOF 123-125-00	DO NOT STUFF	DO NOT STUFF
R10-R11 VALUES	330 5% 15W WW 125-021-00	82 5% 15W WW 125-020-00	68 5% 15W WW 125-019-00

UNLESS OTHERWISE SPECIFIED DIMENSIONS ARE IN INCHES TOLERANCES ARE: FRACTIONS: DECIMALS: ANGLES: ±.NA .XX ± NA ±.NA .XXX ± NA	APPROVALS	DATE	 Mackie Designs Inc. Woodinville, Wa.
	DRAWN: CDJ	4-16-97	
	CHECKED:		
	MP ENGINEERING: Cameron Jones	4-25-97	
MATERIAL:	MATERIAL:		PCB ASSY, M-1400 SOFT START
FINISH:	MANUFACTURING:		
DO NOT SCALE DRAWING	ISSUED:		SIZE: D SCALE: 2:1 DWG. NO. 055-162-00 REV. A DWG FILE: SHEET 1 OF 1